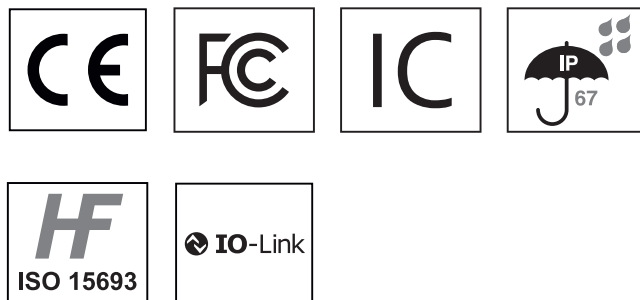
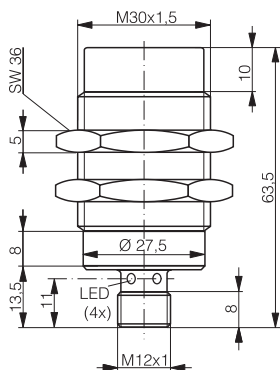




HF RFID SYSTEM READ/WRITE MODULES (RWM) RLS-1301-320

HOUSING	READ/WRITE DISTANCE	<ul style="list-style-type: none"> ✓ M30 Metal threaded housing ✓ Sensing face of PBTP ✓ Insensitive to dirt ✓ IO-Link V1.1 	<ul style="list-style-type: none"> ✓ 2 x PNP output in SIO mode configurable ✓ RWM reconfigurable via a Master Tag
M30	62.5 mm*		



* Please refer to table page 7

GENERAL DATA		INTERFACE	
Carrier frequency	13.56 MHz	Data transfer rate	38 400 baud
Compatible standard	ISO 15693	LED green on	RWM live
Maximum transmission speed	26.5 kbit/s	LED green blinking	IO-Link communication
Read-write distance max.	62.5 mm with RTP-0502-022	LED yellow on	Transponder detected
		LED yellow blinking	Transponder + IO-Link communication
		IO-Link	✓

ELECTRICAL DATA		MECHANICAL DATA	
Supply voltage range (U _b)	11...32 VDC	Protection degree	IP67
No-load supply current (field off)	20 mA	Ambient temperature range TA**	-25...+80 °C
Max. current consumption (no load)	50 mA	Storage temperature range TS***	-25...+80 °C
Polling current	30 mA	Sensing face material	PBTP
Short-circuit protection	✓	Housing material	Chrome-plated brass
Voltage reversal protection	✓	Connector type	M12 4-pin
Max. output current	≤ 200 mA	Weight (incl. nuts)	87 g

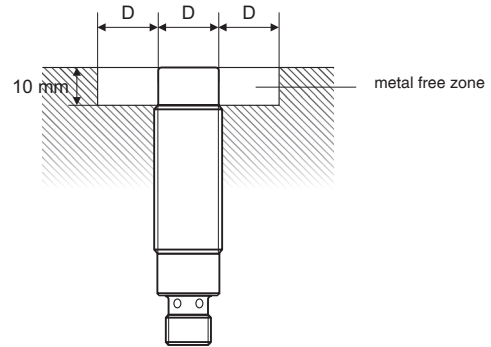
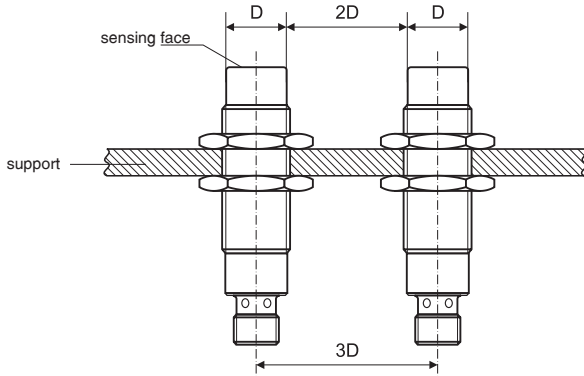
** Read/write operations possible

*** Data retention and mechanical stability limit

MOUNTING RECOMMENDATIONS

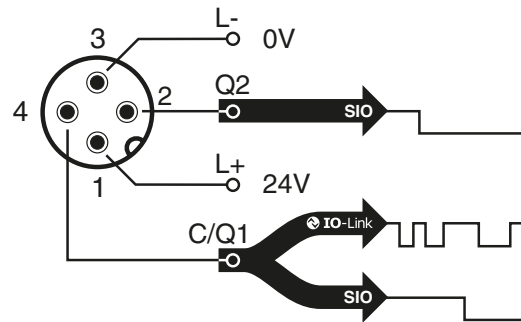
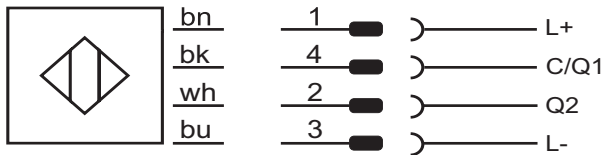
CLEARANCE

Read/write modules must not mutually influence each other. For this reason, a minimum distance of $2 \times D$ between the devices must be observed.



WIRING DIAGRAM

PIN ASSIGNMENT



IO-LINK CHARACTERISTICS

VALUE FOR RLS-1301-320

IO-Link Protocol	1.1
COM-Mode	COM2 (38.4 kBaud)
Min. cycle time	14.4 ms
Process data width in	9 bytes
Process data width out	10 bytes
Profile	Smart Sensor Profile
SIO-Mode support	Yes
Port type	A
Memory request for data management	41 bytes
Device ID	0xAB0300
Vendor ID	0x0156

CONFIGURATION PARAMETER (IO-LINK / SIO MODE)						
Index	Sub Hex	Name	Access	Data Type	Value	Default
IDENTIFICATION						
10 _h		Vendor Name	R	char []	"Contrinex"	
11 _h		Vendor Text	R	char []	contrinex website"	
12 _h		Product Name	R	char []	"RLS-1301-320"	
13 _h		Product ID	R	char []	"00000000"	
14 _h		Product Text	R	char []	"IO-Link RFID reader"	
15 _h		Serial Number	R	char []	"00000001"	
17 _h		Firmware Revision	R	char []	"01.09.01"	
18 _h		Application Specific Tag	R/W	char []	<user string, 16 byte (variable length)>	<vendor specific>
READER PARAMETER PROCESS DATA						
40 _h	01 _h	Operating Mode	R/W	uint8	FF _h : Scan UID 00 _h : Scan User Data 01 _h : Read / Write Command	FF _h
	02 _h	Data Hold Time	R/W	uint8	FF _h : No Hold Time 00 _h : Hold Time 100 ms 01 _h : Hold Time 200 ms 02 _h : Hold Time 500 ms 03 _h : Hold Time 1000 ms 04 _h : Hold Time 2000 ms	FF _h
	03 _h	Scan Address	R/W	uint8	Address to scan	FF _h
READER PARAMETER SIO						
41 _h	01 _h	C/Q1 PIN SIO Operating Mode	R/W	uint8	FF _h : Presence Transponder 00 _h : Compare Data 01 _h : No SIO	FF _h
	02 _h	C/Q1 SIO Data to compare H	R/W	uint32	Comparison value Byte 7 to 4	FF _h , FF _h , FF _h , FF _h
	03 _h	C/Q1 SIO Data to compare L	R/W	uint32	Comparison value Byte 3 to 0	FF _h , FF _h , FF _h , FF _h
	04 _h	SIO Compare Data Address (C/Q1 & Q2)	R/W	uint8	Comparison address for C/Q1 and Q2 (A valid address must be chosen)	FF _h
	05 _h	Data Hold Time Output (C/Q1 & Q2)	R/W	uint8	FF _h : No Hold Time 00 _h : Hold Time 100 ms 01 _h : Hold Time 200 ms 02 _h : Hold Time 500 ms 03 _h : Hold Time 1000 ms 04 _h : Hold Time 2000 ms	FF _h
	06 _h	C/Q1 PIN SIO Polarity	R/W	uint8	FF _h : Output "close" if condition = true 00 _h : Output "open" if condition = true	FF _h
	07 _h	Q2 PIN SIO Operating Mode	R/W	uint8	FF _h : Presence Transponder 00 _h : Compare data (C/Q1 must be also in compare data) 01 _h : No SIO	FF _h
	08 _h	Q2 SIO Data to compare H	R/W	uint32	Comparison value Byte 7 to 4	FF _h , FF _h , FF _h , FF _h
	09 _h	Q2 SIO Data to compare L	R/W	uint32	Comparison value Byte 3 to 0	FF _h , FF _h , FF _h , FF _h
	0A _h	Q2 PIN SIO Polarity	R/W	uint8	FF _h : Output "close" if condition = true 00 _h : Output "open" if condition = true	FF _h

PROCESS DATA REPRESENTATION

PROCESS DATA MODE SCAN UID MODE

PROCESS DATA INPUT

Bitoffset	7	6	5	4	3	2	1	0
0			TAG	ANT	NB TAG			
1	UID 0							
2	UID 1							
3	UID 2							
4	UID 3							
5	UID 4							
6	UID 5							
7	UID 6							
8	UID 7							

TAG : 0 = No tag present in front of the RWM
 1 = 1 tag or more present in front of the RWM
 ANT : 0 = RF field off
 1 = RF field on
 NB TAG : Number of tag in front of the RWM
 UID 0 : UID LSB
 UID 7 : UID MSB

PROCESS DATA OUTPUT

Bitoffset	7	6	5	4	3	2	1	0
0				N_ANT	TAG NB			
1								
2								
3								
4								
5								
6								
7								
8								
9								

N_ANT : 0 = Switch on RF field
 1 = Switch off RF field
 TAG NB : Index of tag to be printed in UID area (index from 0)

PROCESS DATA MODE SCAN USER DATA

PROCESS DATA INPUT

Bitoffset	7	6	5	4	3	2	1	0
0	RDY	ERR	TAG	ANT				EXT
1	Data 0 / Error Code							
2	Data 1							
3	Data 2							
4	Data 3							
5	Extended Data 4							
6	Extended Data 5							
7	Extended Data 6							
8	Extended Data 7							

RDY : 0 = No data available yet
 1 = Memory scanned and data available
 ERR : 0 = Memory scanned and no error
 1 = Memory scanned but error;
 TAG : 0 = No tag present in front of the RWM
 1 = Tag present in front of the RWM
 ANT : 0 = RF field off
 1 = RF field on
 EXT : 0 = 4 bytes data
 1 = 8 bytes data
 Data 0 : User data LSB / Error Code
 Data 3 / 7 : User data MSB

PROCESS DATA OUTPUT

Bitoffset	7	6	5	4	3	2	1	0
0				N_ANT				
1								
2								
3								
4								
5								
6								
7								
8								
9								

N_ANT : 0 = Switch on RF Field
 1 = Switch off RF Field

PROCESS DATA MODE READ/WRITE

PROCESS DATA INPUT

Bitoffset

	7	6	5	4	3	2	1	0
0	RDY	ERR	TAG	ANT				EXT
1	Data 0 / Error Code							
2	Data 1							
3	Data 2							
4	Data 3							
5	Extended Data 4							
6	Extended Data 5							
7	Extended Data 6							
8	Extended Data 7							

RDY : 0 = No data available yet
1 = Command executed and data available

ERR : 0 = Command executed and no error
1 = Command executed but error

TAG : 0 = No tag present in front of the RWM
1 = Tag present in front of the RWM

ANT : 0 = RF field off
1 = RF field on

EXT : 0 = 4 bytes data
1 = 8 bytes data

Data 0 : Read data LSB / Error Code
Data 3 / 7 : Read data MSB

Error Code Definition

CommandNotSupported = 1,
FormatError = 2,
OptionNotSupported = 3,
CommandProblem = 5,
CommTagError = 6,
TagError = 15,
NoMemoryBlock = 16,
BlockProtected = 18,

PROCESS DATA OUTPUT

Bitoffset

	7	6	5	4	3	2	1	0
0	START			N_ANT		CMD		EXT
1	ADD							
2	Data 0							
3	Data 1							
4	Data 2							
5	Data 3							
6	Extended Data 4							
7	Extended Data 5							
8	Extended Data 6							
9	Extended Data 7							

START : 0 = Do not execute the command
1 = Execute the command

N_ANT : 0 = Switch on RF Field
1 = Switch off RF Field

CMD : 0 = No command
1 = Read
2 = Write

EXT : 0 = 4 bytes data
1 = 8 bytes data

ADD : Block address
Data 0 : Write data LSB
Data 3 / 7 : Write data MSB

SYSTEM COMMAND (idx 02_h)

Value hex	Value dec	Function
05 _h	5	ParamDownloadStore
80 _h	128	Device Reset
82 _h	130	Restore factory settings*

*always do a reset after the restore of factory settings

MASTER TAG CONFIGURATION

For the RLS-1301-320, the IO-Link mode or the SIO (standard I/O mode) can be configured via IO-Link or via a Master Tag.

For the configuration via a Master Tag, a transponder (called Master Tag) will contain all the data used for the configuration.

There is a simple procedure to configure the RWM. Once all the data are written in the Master Tag, you need to put it in front of the RWM sensing face, to switch off the RWM power supply and to switch on again. The RWM will detect that it's a Master Tag and read all the data and configure the outputs accordingly.

On the Contrinex RFID product finder page of any ContriNET RWM USB, it is possible to download a software to setup the Master Tag using a ContriNET RWM USB. This program is called "IO-Link Master Tag Programmer" and its is included in the "Softwares" zip file.

SIO MODE POSSIBILITIES

If you use the RLS-1301-320 in an SIO mode, you will have two main possibilities:

1. Presence Transponder:
In this mode, the output will switch if a transponder is in the field of the RWM.
2. Compare Data:
In this mode, the output will switch if the data read in the defined block memory of the transponder matches with the data stocked in the RWM.

MASTER TAG

To build a Master Tag it's possible to use any ISO15693 chip with at least eight memory blocks with 32 bits each. Two screenshots of the "IO-Link Master Tag Programmer" are placed below to serve as an example of one possible Master Tag configuration

IO-Link Master tag configurator

CONTRINEX USB RWM Selection: RLS-1301-220-120

SIO Mode: IO-Link Mode

SIO Output configuration

C/Q1

C/Q1 PIN SIO Operating Mode: Compare data

C/Q1 SIO Data to compare H: 0

C/Q1 SIO Data to compare L: 150

C/Q1 PIN SIO Polarity: Output closed if condition = true

Q2

Q2 PIN SIO Operating Mode: TAG presence

Q2 SIO Data to compare H: 0

Q2 SIO Data to compare L: 0

Q2 PIN SIO Polarity: Output closed if condition = true

SIO Compare Data address (C/Q1 Q2): 0

Data Hold Time output (C/Q1 Q2): No hold time

Program Master TAG

Read Master TAG

Read/Write Module used

Output switch condition selection for C/Q1 (Compare data)

Compare data value (DEC) to switch output C/Q1

Output switch condition selection for Q2 (Tag presence)

Tag memory address value (DEC) where to perform the compare data operation

Timer value during which the switching state is maintained after the transponder left the RWM detection range

IO-Link Master tag configurator

CONTRINEX USB RWM Selection: RLS-1301-220-120

SIO Mode: IO-Link Mode

IO-Link process data configuration

Operating Mode: Scan UID

Data Hold Time: No hold time

Scan address: 0

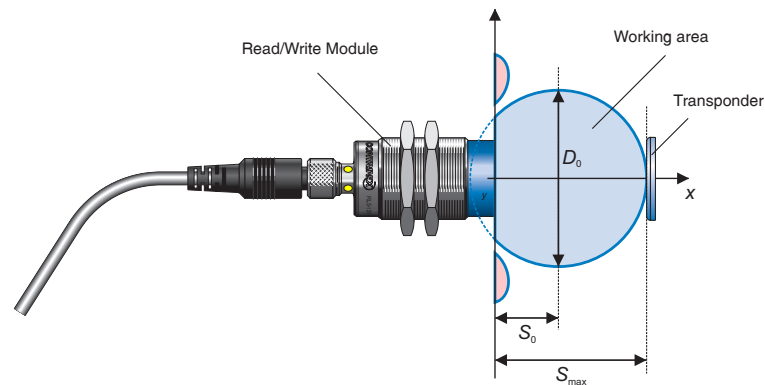
Selection box for the IO-Link operation mode (Scan UID, Scan User Data and Scan Read/Write Command)

Scan address where to read the RFID data (only available when Scan User Data mode is selected)

When Tag Master data (SIO & IO-Link Mode) is successfully programmed in to the tag memory, the "Program Master TAG" button turns green, otherwise it turns red

POSSIBLE COMBINATION AND TYPICAL DISTANCE - RLS-1301-320

Transponder type	S_{max} [mm]	S_0 [mm]	D_0 [mm]
Ø 9 RTP-0090-020	16	5	22
Ø 16 RTP-0160-020	36	17	38
Ø 20 RTP-0201-020	26	10.5	31
Ø 26 RTP-0263-020	34	15.5	37
Ø 30 RTP-0301-020	36	15.5	41
Ø 50 RTP-0501-020	47	20	54
Ø 50 RTP-0502-022	62.5	29.5	66
Ø 50 RTP-0502-062	61	28.5	65
Ø 50 RTP-0502-082	59	27.5	63



AVAILABLE TYPES

Part number	Part reference	Ø	Mounting	Connection
720 100 207	RLS-1301-320	M30	Non-embeddable	M12 4-pin

DISCLAIMERS

FCC information

This device complies with part 15 of the FCC rules. Operation is subject to the following two conditions:

- (1) This device may not cause harmful interference, and
- (2) this device must accept any interference received, including interference that may cause undesired operation.

Caution: Any changes or modifications not expressly approved by the party responsible for compliance could void the user's authority to operate the equipment.

Note: This equipment has been tested and found to comply with the limits for a Class A digital device, pursuant to part 15 of the FCC Rules. These limits are designed to provide reasonable protection against harmful interference when the equipment is operated in a commercial environment. This equipment generates, uses, and can radiate radio frequency energy and, if not installed and used in accordance with the instruction manual, may cause harmful interference to radio communications. Operation of this equipment in a residential area is likely to cause harmful interference in which case the user will be required to correct the interference at his own expense.

IC information

This device complies with Industry Canada licence-exempt RSS standard(s). Operation is subject to the following two conditions:

- (1) This device may not cause interference, and
- (2) this device must accept any interference received, including interference that may cause undesired operation of the device.

Le présent appareil est conforme aux CNR d'Industrie Canada applicables aux appareils radio exempts de licence. L'exploitation est autorisée aux deux conditions suivantes :

- (1) L'appareil ne doit pas produire de brouillage, et
- (2) l'utilisateur de l'appareil doit accepter tout brouillage radioélectrique subi, même si le brouillage est susceptible d'en compromettre le fonctionnement.

Contrinex information

Operators of the products we supply are responsible for compliance with measures for the protection of persons. The use of our equipment in applications where the safety of persons might be at risk is only authorized if the operator observes and implements separate, appropriate and necessary measures for the protection of persons and machines. Terms of delivery and rights to change design reserved.