



CARDINAL

Process Technology

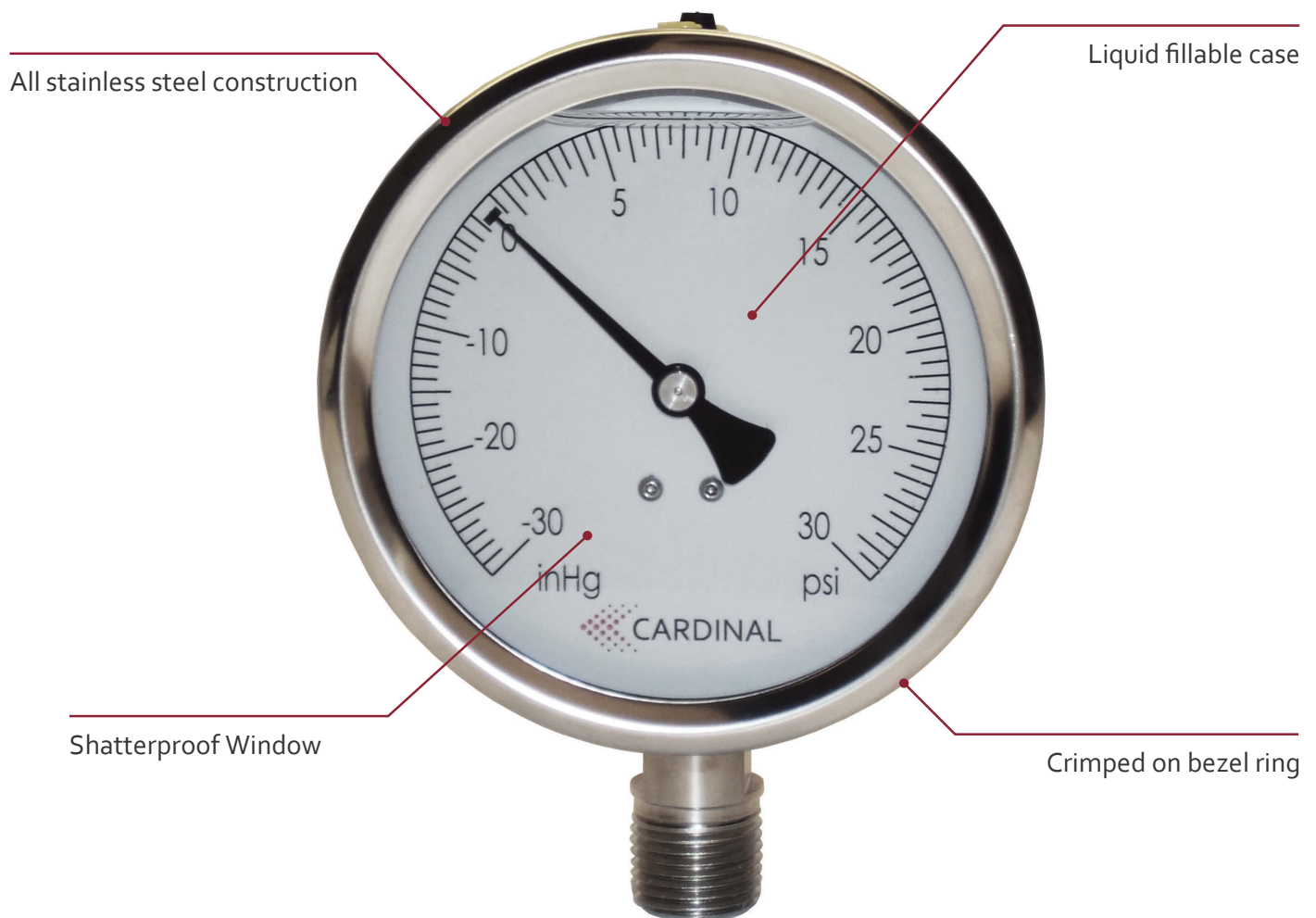


Cardinal Stainless Crimped Ring

Cardinal Stainless Crimped Ring (CSCR Gauges)

Applications

Ideal for tough applications that include pumps, compressors, heavy machinery, hydraulic systems, pneumatic systems and processing equipment.



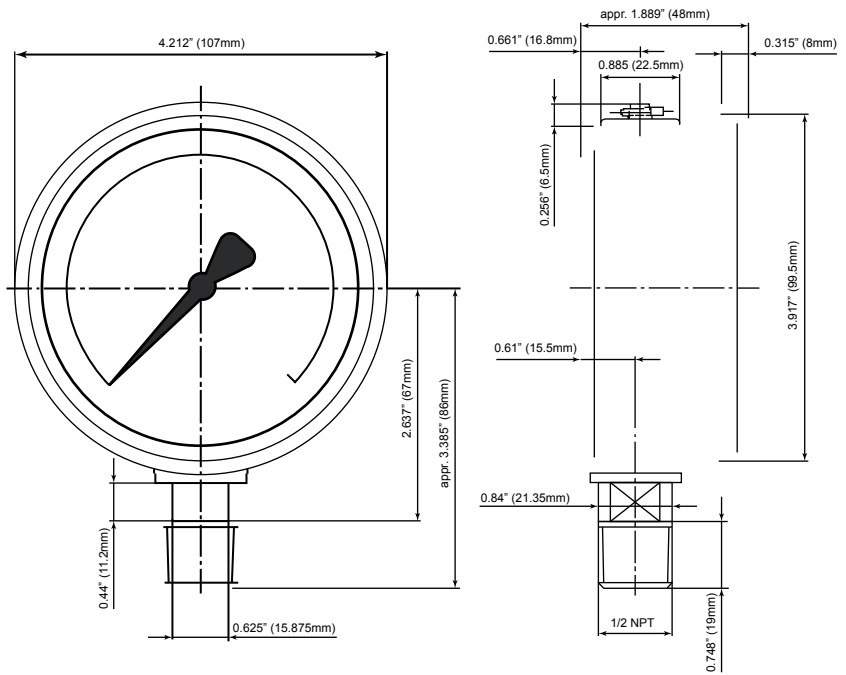
Standard Features	
Design	ASME B40.100
Sizes	2½" (63mm), 4" (100mm)
Accuracy Class	2½": ± 2/1/2% of span 4": ± 1.0% of span
Ranges	Vacuum / compound to 200 psi Pressure from 15 psi to 15,000 psi or other equivalent units of pressure or vacuum
Operating Temperature	Ambient: -40°F to + 140°F (-40°C to + 60°C) - dry -4°F to +140°F (-20°C to + 60°C) - glycerine filled -40°F to +140°F (-40°C to + 60°C) - silicone filled Process: +212°F (+100°C) maximum
Weather Protection	Weather tight (NEMA 4X / IP 65)
Pressure Connection	316 L stainless steel Lower mount (LM) or center back mount (CBM) Lower back mount (LBM) for 4" 1/4" NPT or 1/2" NPT
Bourdon Tube	316 L stainless steel
Movement	Stainless Steel
Dial	White aluminum with black lettering
Pointer	Aluminum, black
Case	304 Stainless steel with vent plug and stainless steel crimp ring Welded case/socket connection
Window	Polycarbonate
Optional Extras	Stainless steel front flange Stainless steel rear flange with 4" case size Zinc-plated steel or stainless steel u-clamp bracket (field installable) with 4" case size Other pressure connections Glycerine or silicone case filling Other pressure scales available: bar, kPa, MPa, kg/cm ² and dual scales

Product specifications are subject to change without prior notice.

Standard Dimensions

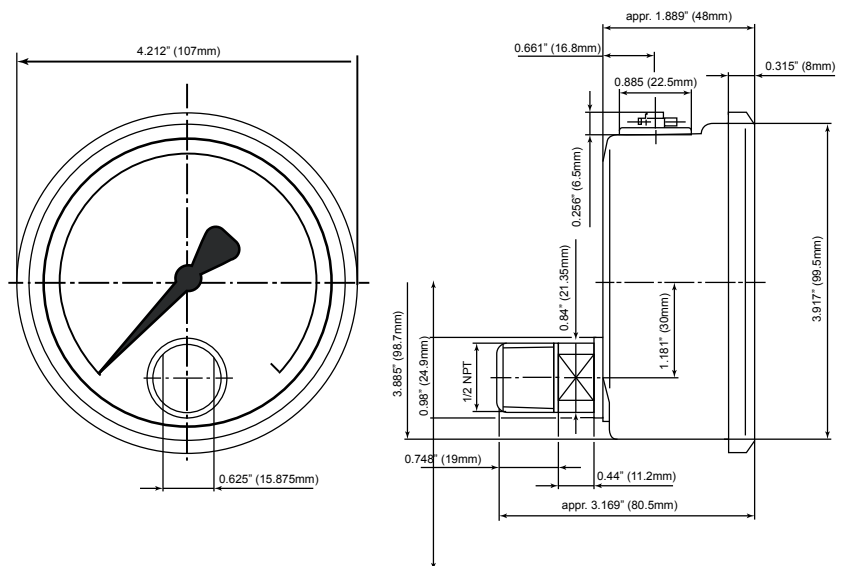
4" Lower Mount (LM)

5/8" Wrench Flat



4" Lower Back Mount (LBM)

5/8" Wrench Flat



Cardinal Stainless Crimped Ring

Ordering Code Example: L 4025 C - 4L - 0-100 - RR
 1 2 C - 3 - 4 - 5

1: Gauge Fill

L	Liquid Fill (Glycerine Fill Standard)
D	Dry Case Gauge

2: Gauge Series

4025C	2.5 inch Case Size
4040C	4 inch Case Size

3: Connections

4L	1/4" Lower Connection
4CB	Center Back Connection (2.5" only)
8L	1/2" Lower Connection (1/2" size available 4" only)
8LB	1/2" Lower Back Mount (1/2" size available 4" only)

4: Pressure Ranges

Select Pressure Range from table below.

5: Options

SSFF	Stainless Steel Front Flange
SSRF	Stainless Steel Rear Flange
ZPU	Zinc Plated U-Clamp
SSU	Stainless Steel U-Clamp
RR	Restrictor

6: Other Pressure Scales

bar, kPa, MPa, kg/cm² and dual scales

Minimum order quantities may apply.

Pressure Table (A-1)

Vacuum Ranges

-30"/0 Hg

Compound Ranges

PSI

-30"/0/15

-30"/0/30

-30"/0/60

-30"/0/100

-30"/0/160

-30"/0/200

Pressure Ranges

PSI

0-15

0-30

0-60

0-100

0-160

0-200

0-300

0-400

0-600

0-800

0-1,000

0-1,500

0-2,000

0-3,000

0-4,000

0-5,000

0-6,000

0-8,000

0-10,000

0-15,000

Call today and discuss your application
with our experts!

