



CARDINAL

Process Technology

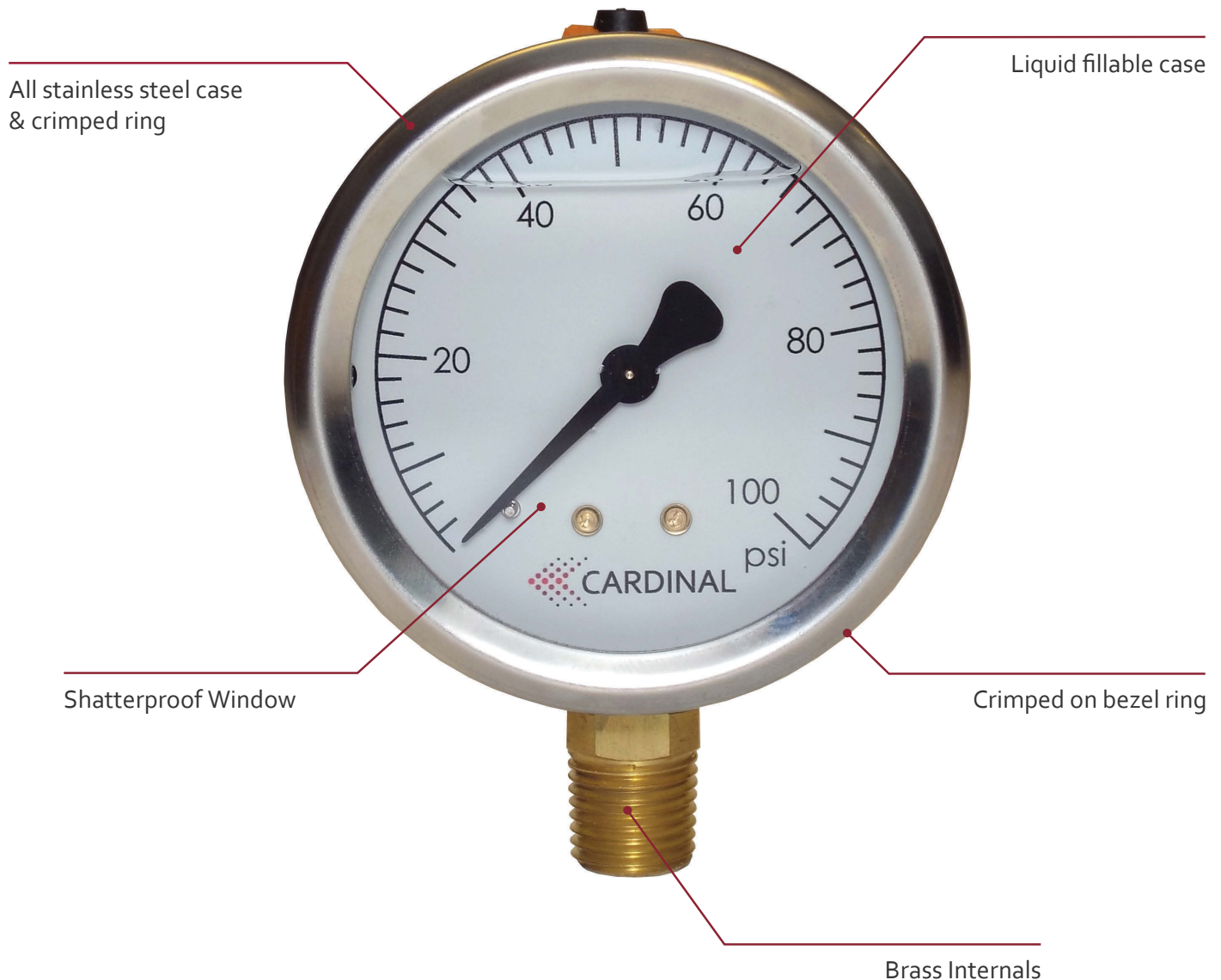


Cardinal Brass Crimped Ring

Cardinal Brass Crimped Ring (CBCR Gauges)

Applications

Ideal for tough applications that include pumps, compressors, heavy machinery, hydraulic systems, pneumatic systems and processing equipment.



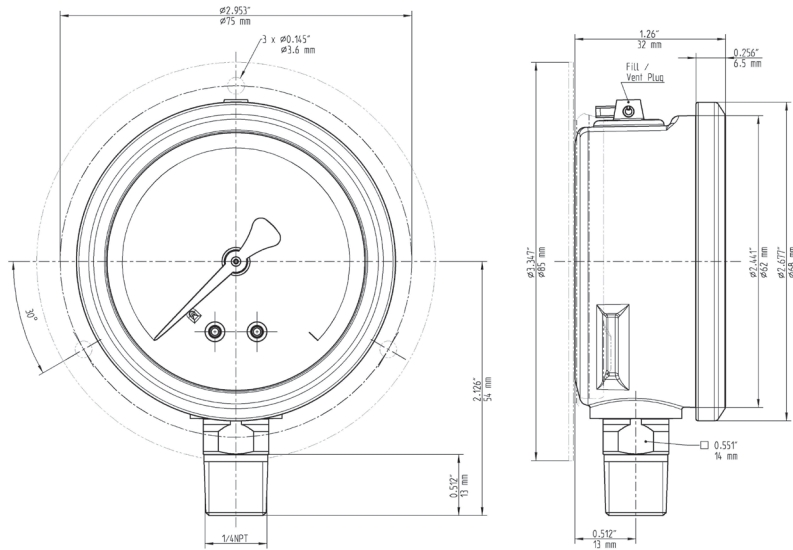
Standard Features	
Design	ASME B40.100
Sizes	2½" (63mm), 4" (100mm)
Accuracy Class	2½": ± 2/1/2% of span 4": ± 1.0% of span
Ranges	Vacuum / compound to 200 psi Pressure from 15 psi to 15,000 psi or other equivalent units of pressure or vacuum
Operating Temperature	Ambient: -40°F to + 140°F (-40°C to + 60°C) - dry -4°F to +140°F (-20°C to + 60°C) - glycerine filled -40°F to +140°F (-40°C to + 60°C) - silicone filled Process: + 140 degF (+60 degC) maximum
Weather Protection	Weather tight (NEMA 4X / IP 65)
Pressure Connection	Copper Alloy Lower mount (LM) or center back mount (CBM) -2 1/2" Lower back mount (LBM) for 4" only 1/4" NPT or 1/2" NPT
Bourdon Tube	Copper Alloy
Movement	Copper Alloy
Dial	White Plastic 2½" & White Aluminum (4") with black lettering
Pointer	Black Plastic 2½" & Black Aluminum (4")
Case	304 Stainless steel with vent plug and stainless steel crimp ring Case to socket connection sealed with O-ring
Window	Polycarbonate
Optional Extras	Stainless steel front flange Stainless steel rear flange Zinc-plated steel or stainless steel u-clamp bracket (field installable) Other pressure connections Glycerine or silicone case filling Other pressure scales available: bar, kPa, MPa, kg/cm ² and dual scales

Product specifications are subject to change without prior notice.

Standard Dimensions

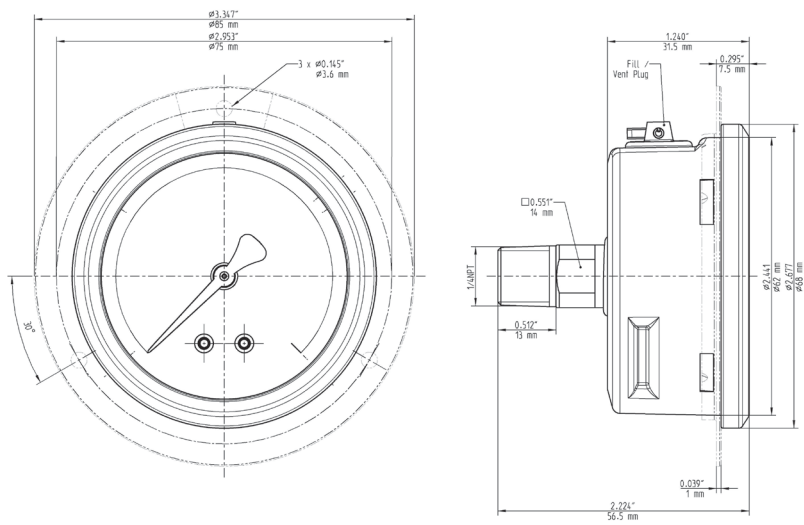
2½" Lower Mount (LM)

9/16" Wrench Flat



2½" Center Back Mount (CBM)

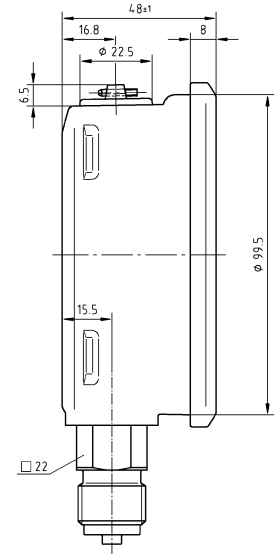
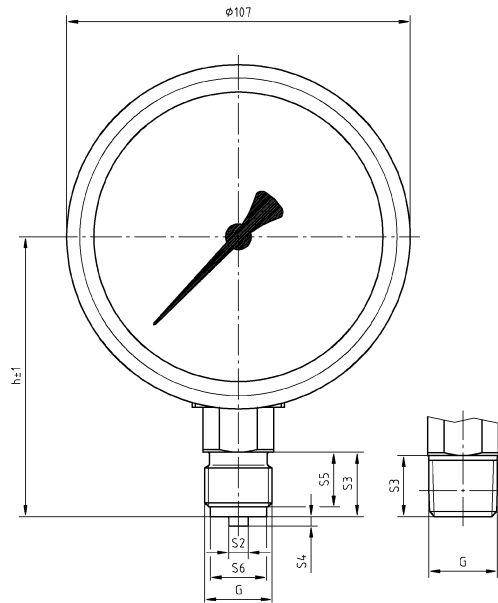
9/16" Wrench Flat



Standard Dimensions

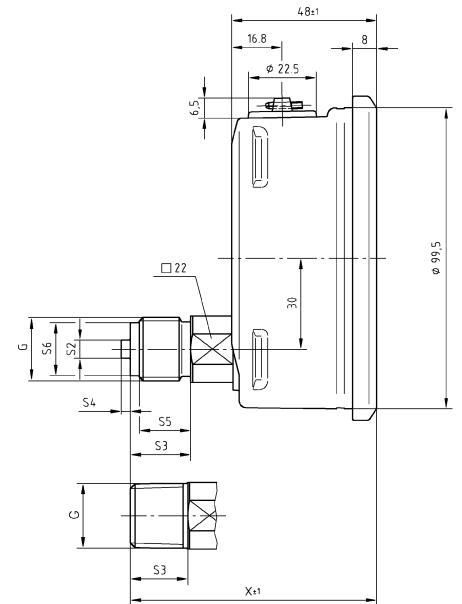
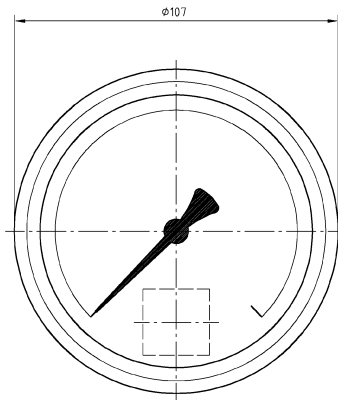
4" Lower Mount (LM)

15/16" Wrench Flat



4" Lower Back Mount (LBM)

15/16" Wrench Flat



Cardinal Brass Crimped Ring

Ordering Code Example: L 1325 C - 4L - 0-100 - RR
 1 2 C - 3 - 4 - 5

1: Gauge Fill	
L	Liquid Fill (Glycerine Fill Standard)
D	Dry Case Gauge

2: Gauge Series	
1325C	2.5 inch Case Size
1340C	4 inch Case Size

3: Connections	
4L	1/4" Lower Connection
4CB	Center Back Connection (2.5" only)
8L	1/2" Lower Connection (1/2" size available 4" only)
8LB	1/2" Lower Back Mount (1/2" size available 4" only)

4: Pressure Ranges	
Select Pressure Range from table below.	

5: Options	
SSFF	Stainless Steel Front Flange
SSRF	Stainless Steel Rear Flange
ZPU	Zinc Plated U-Clamp
SSU	Stainless Steel U-Clamp
RR	Restrictor

6: Other Pressure Scales	
bar, kPa, MPa, kg/cm ² and dual scales	

Minimum order quantities may apply.

Pressure Table (A-1)

Vacuum Ranges
-30"/0 Hg

Compound Ranges
PSI
-30"/0/15
-30"/0/30
-30"/0/60
-30"/0/100
-30"/0/160
-30"/0/200

Pressure Ranges
PSI
0-15
0-30
0-60
0-100
0-160
0-200
0-300
0-400
0-600
0-800
0-1,000
0-1,500
0-2,000
0-3,000
0-4,000
0-5,000
0-6,000
0-8,000
0-10,000
0-15,000

Call today and discuss your application with our experts!

