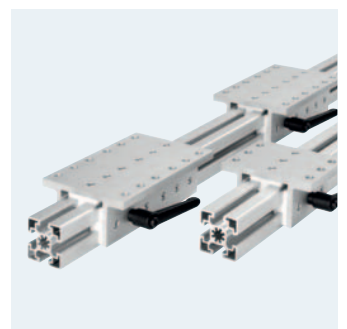
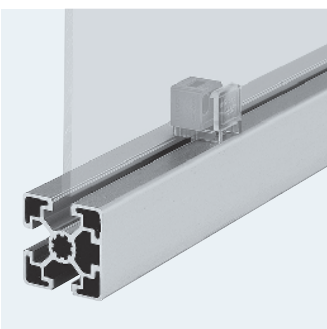
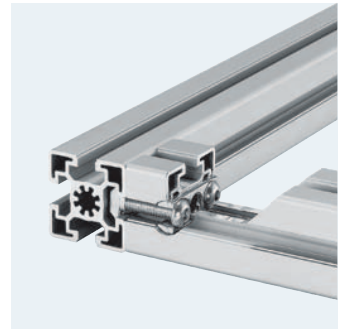
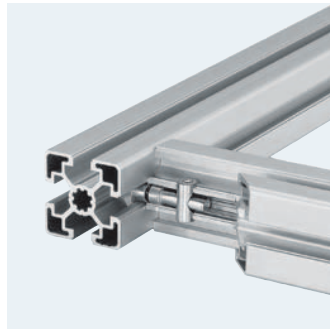
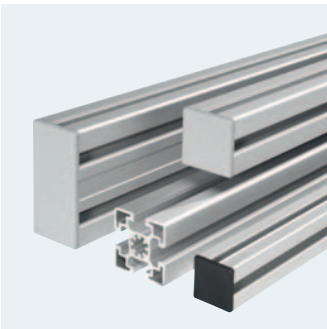



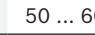

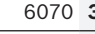
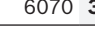

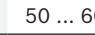

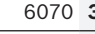
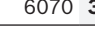



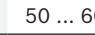

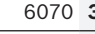
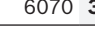
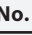
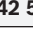
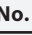
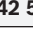

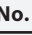
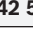


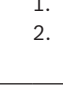
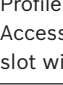
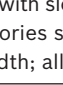
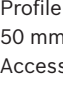
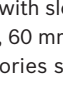
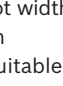
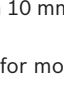
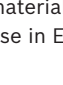



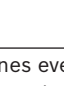




Aluminum Structural Framing System

8.0

Everything to Build Anything™



Explanations

Presentation		Explanation																
<table border="1"> <thead> <tr> <th>40x40 HR</th> <th>L (mm)</th> <th>No.</th> </tr> </thead> <tbody> <tr> <td>1 pc </td> <td>50 ... 6000</td> <td>3 842 993 256 / L</td> </tr> <tr> <td>1 pc M12  M12</td> <td>110 ... 6000</td> <td>3 842 993 257 / L</td> </tr> <tr> <td> 20 pcs </td> <td>6070</td> <td>3 842 529 381</td> </tr> <tr> <td>1 pc </td> <td>6070</td> <td>3 842 529 382</td> </tr> </tbody> </table>		40x40 HR	L (mm)	No.	1 pc 	50 ... 6000	3 842 993 256 / L	1 pc M12  M12	110 ... 6000	3 842 993 257 / L	 20 pcs 	6070	3 842 529 381	1 pc 	6070	3 842 529 382	Product available for delivery as: <ul style="list-style-type: none"> – Single component of variable length, e.g. Order: 1 x 3 842 993 257 / 785 Delivery: 1x 40x40 HR with M12 profile finishing on both sides, L = 785 mm – Delivery unit ( here 20 pcs) of fixed length, e.g. Order: 1x 3 842 529 381 Delivery: 20x 40x40 HR (without profile finishing), L = 6070 mm M12  M12 Notes on profile finishes, see Section 2	
40x40 HR	L (mm)	No.																
1 pc 	50 ... 6000	3 842 993 256 / L																
1 pc M12  M12	110 ... 6000	3 842 993 257 / L																
 20 pcs 	6070	3 842 529 381																
1 pc 	6070	3 842 529 382																
<table border="1"> <thead> <tr> <th>50/50</th> <th>Slot</th> <th>ESD</th> <th></th> <th>No.</th> </tr> </thead> <tbody> <tr> <td>Bracket (standard)</td> <td>10</td> <td></td> <td>20</td> <td>3 842 530 381</td> </tr> </tbody> </table>		50/50	Slot	ESD		No.	Bracket (standard)	10		20	3 842 530 381	The product is delivered in packaging units ( : in this case 20 pcs); i.e. the order quantity must at least equal the specified quantity or a multiple of it; differing quantities will be rounded up Order examples: <ul style="list-style-type: none"> – Order: 1x 3 842 530 381 – delivery: 20 x bracket 50/50 – Order: 20 x 3 842 530 381 – delivery: 20 x bracket 50/50 – Order: 30 x 3 842 530 381 – delivery: 40 x bracket 50/50 						
50/50	Slot	ESD		No.														
Bracket (standard)	10		20	3 842 530 381														
<table border="1"> <thead> <tr> <th>Threaded sleeve</th> <th>No.</th> </tr> </thead> <tbody> <tr> <td></td> <td>3 842 504 790</td> </tr> </tbody> </table>		Threaded sleeve	No.		3 842 504 790	For order tables without the column  , the following applies:  = 1 Order examples: <ul style="list-style-type: none"> – Order: 1 x 3 842 504 790 – delivery: 1x threaded sleeve incl. fastening material (FS) enclosed with the product for peripheral mounting 												
Threaded sleeve	No.																	
	3 842 504 790																	
  		<ol style="list-style-type: none"> 1. Profile with slot width 6 mm, 8 mm, 10 mm; all modular dimensions 2. Accessories suitable for mounting on profiles with the specified slot width; all modular dimensions 																
   		<ol style="list-style-type: none"> 1. Profile with slot width 10 mm; modular dimensions: 40 mm, 45 mm, 50 mm, 60 mm 2. Accessories suitable for mounting on profiles with the specified slot width and modular dimensions 																
		Conductive material version in accordance with DIN EN 61340-5-1; suitable for use in ESD-sensitive areas																
		Suitable for use in cleanrooms																
		Profile finishing required (drilling, thread cutting, milling)																
		The centering tab can be broken off for offset assembly or assembly at an angle to the profile slot																
 		<ul style="list-style-type: none"> • Screw with Torx profile • Screw with Hex Head 																
		The GoTo Focused Delivery Program streamlines everything to make it easier for you to get a selection of our most popular Rexroth products faster																
MGE		Aluminum Structural Framing System																
		Weight																
		Permitted loading (N)																



Uncompromisingly flexible: the assembly system from its inventor

Work environments are more efficient the more they are customized for their specific purpose. From frames, enclosures, special and series-production machinery and ESD-conductive systems to workstations or lines for material supply and linking, Bosch Rexroth's ultra-flexible assembly system offers quick, complete solutions for any tasks in any industry.

First introduced by Bosch over 30 years ago, today our modular system encompasses well over 1500 parts. The idea is attractively simple: the system is based on aluminum profiles with an "endless" longitudinal slot.

With systematic enhancements, customer-oriented services and comprehensive service support, including free-of-charge planning software, our modular system offers everything you need for efficient working environments.

Introduction	1
Strut profiles	2
Connection elements	3
Joints	4
Air-supply elements	5
Feet and wheels	6
Support of surface elements	7
Doors and fittings	8
Accessories for protective devices	9
Protective devices and partition walls EcoSafe	10
Installation elements	11
Elements for manual movement	12
Linear guides	13
Tools	14
FiFo station	15
Components for lateral guides	16
Components for ESD applications	17
Proximity switches and switch brackets	18
Technical data	19
Material Number Overview	20
Index	21

The Rexroth modular system – safe, reliable and customized

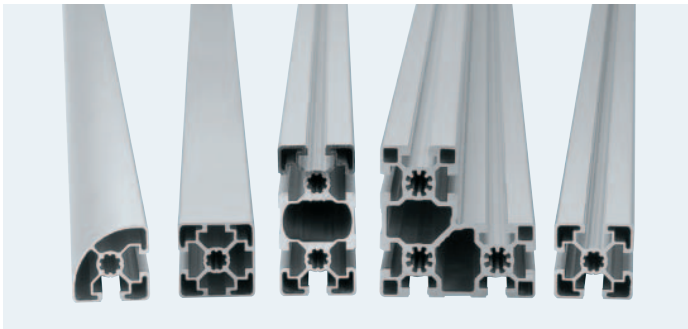
Use our extensive range of products to save working time and costs effectively.

- ▶ Short planning timescales
- ▶ Quicker assembly
- ▶ Highly flexible conversion and extension options
- ▶ Ready-to-use, corrosion-protected surfaces
- ▶ Reusable components
- ▶ Worldwide availability



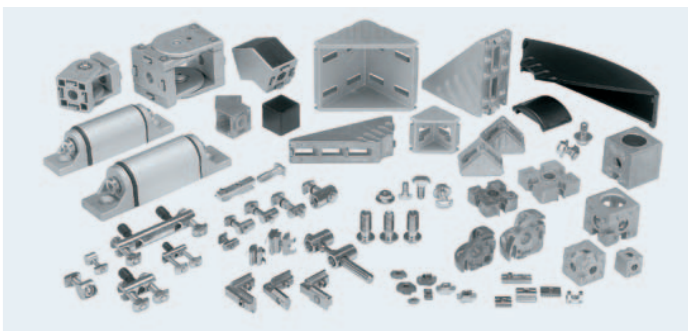
The versatile comprehensive range

Over 100 different profile cross-sections with perfectly adjusted modular dimensions as well as versatile connection elements and accessories enable you to turn any idea into reality.



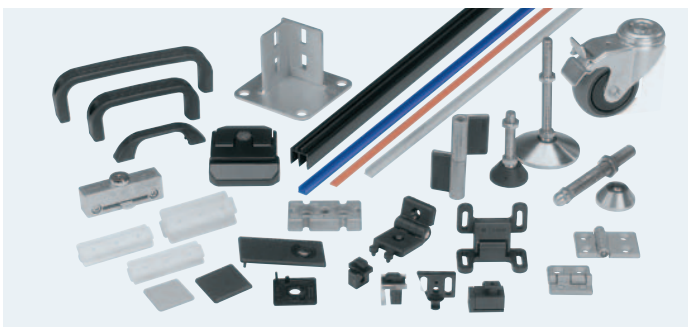
Strong profiles – the economical choice for any load scenario!

- ▶ Light profiles
- ▶ Heavy-duty standard profiles
- ▶ Profiles with closed slots
- ▶ Round profiles for an attractive design
- ▶ Innovative special profiles for special applications



Sturdy connecting systems – the Rexroth connectors hold really firmly and securely!

- ▶ Brackets
- ▶ Joints
- ▶ Cubic connectors
- ▶ Bolt connectors
- ▶ Quick connectors
- ▶ ...



Matching accessories for the profile system – easy to fix in the profile slot or central hole!

- ▶ Hinges, sliders
- ▶ Clamping elements
- ▶ Feet and wheels
- ▶ Installation and air-supply elements
- ▶ Cover and mounting rim profiles
- ▶ ...

Application-oriented solutions for all sectors



A convincing concept for providing solutions for all sectors, from the automotive industry to safety equipment, logistics, automation, electronics or exhibition stand construction.



Maximum planning certainty due to professional, worldwide network

Comprehensive experience, in-depth know-how and reliable production capacities ensure timely and speedy supply.



Reliable worldwide availability

- ▶ Dealers, systems providers and regional and national subsidiaries are always near at hand for you – worldwide
- ▶ Highly efficient central warehouse in Stuttgart
- ▶ Local warehouses at Rexroth sites
- ▶ 'Made to measure' production capacities



On-time, speedy supply

- ▶ All components available
- ▶ Pre-assembled modules, complete frames
- ▶ Prompt delivery and excellent adherence to deadlines



Professional point of contact

- ▶ Personalized advice
- ▶ Comprehensive services
- ▶ Local sales partners
- ▶ Highly skilled experts

Find your point of contact within the Rexroth Sales and Service organization at the click of a mouse:

www.boschrexroth.com/adressen-dcl

Specific planning, efficient building, versatile use

Bosch Rexroth's high-performance aluminum modular system allows you to create secure, complete and transparent solutions for improving work productivity.



Secure

- ▶ Strong profiles which withstand strong forces
- ▶ Well designed connecting systems
- ▶ Anti-torsion elements and positioning aids
- ▶ All systems ESD-conductive
- ▶ Guaranteed performance data



Reliable

- ▶ Standardized components
- ▶ Low planning workload
- ▶ Systematically matched elements
- ▶ Short assembly times with few tools needed
- ▶ Durable and corrosion-resistant



Customized

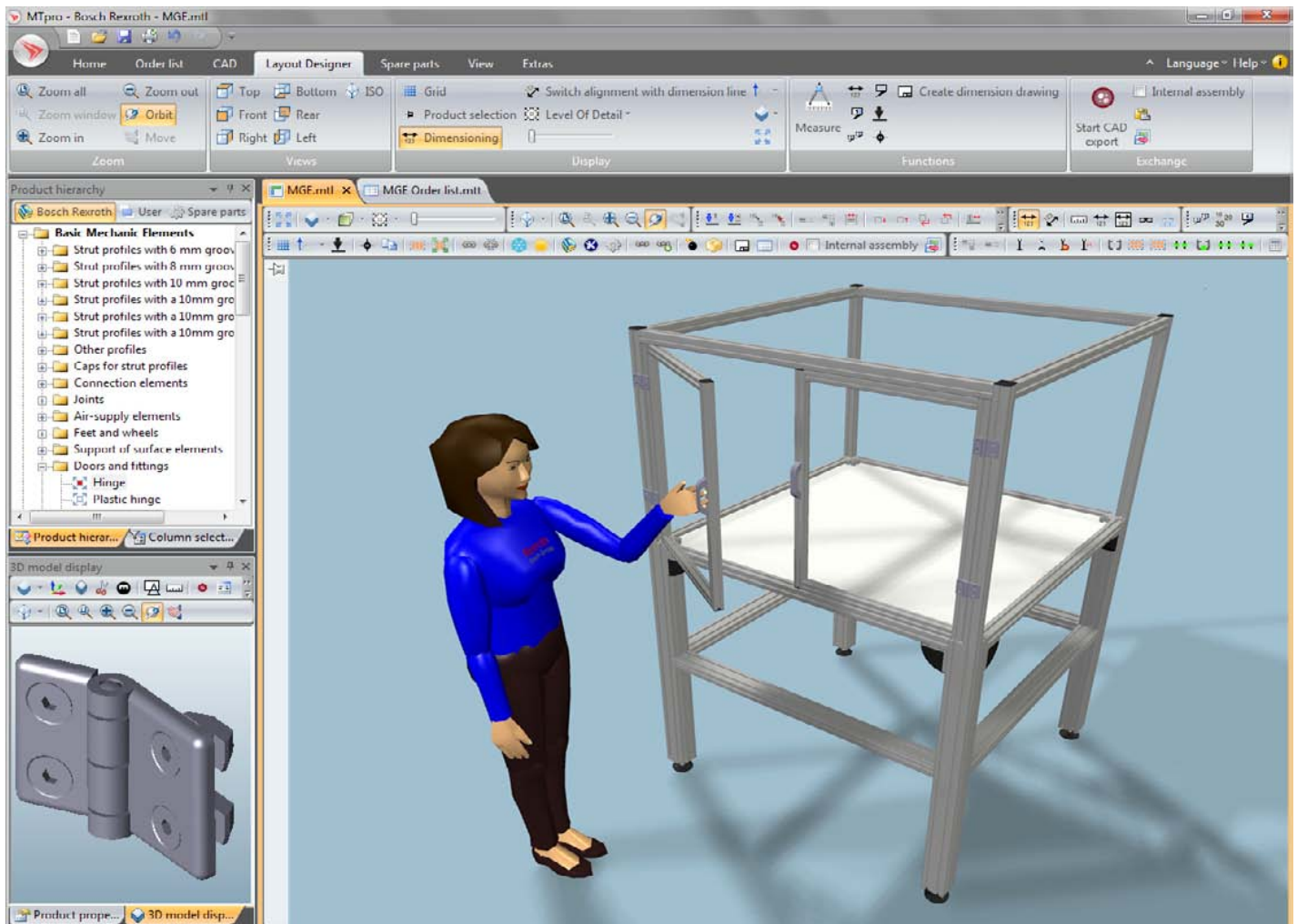
- ▶ For all sectors
- ▶ Reusable components
- ▶ Scalable/extendable
- ▶ For technical and design solutions
- ▶ Can be combined with transfer systems, Varioflow, Manual Production Systems, MGE linear guides, EcoSafe
- ▶ Quick & Easy customized finishing

MTpro – planning software

Unlimited combination options together with simple planning and ordering as well as excellent adherence to deadlines allow you to achieve perfect results.

This especially user-friendly software speeds up and simplifies the planning of application-specific frames, enclosures and workstations. The entire ordering process can also be done in next to no time. And the data can be transferred to your CAD or VR (Virtual Reality) environment via a CAD interface.

- ▶ Complete product info.
- ▶ CAD library
- ▶ Quick&Easy configurator
- ▶ Profile deflection calculation
- ▶ Conversion of profile drawings
- ▶ Quick and simple planning in the layout designer



You can find further assembly systems products in the following catalogs

Many years of experience, robust products and innovative technology are the hallmarks of Bosch Rexroth's assembly systems. You can find more information on our products in

our product catalogs (www.boschrexroth.com/mediadirectory) and on our webpages.

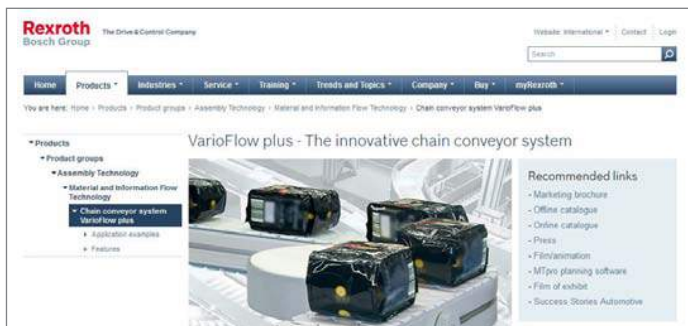


Catalog: 3842540392

www.boschrexroth.com/mediadirectory

Manual Production Systems (MPS)

The key concern in modern production operations is the avoidance of waste. Bosch Rexroth's MPS Manual Production Systems have been developed in strict adherence to lean production principles. They make the planning and implementation of lean production facilities both simple and quick.

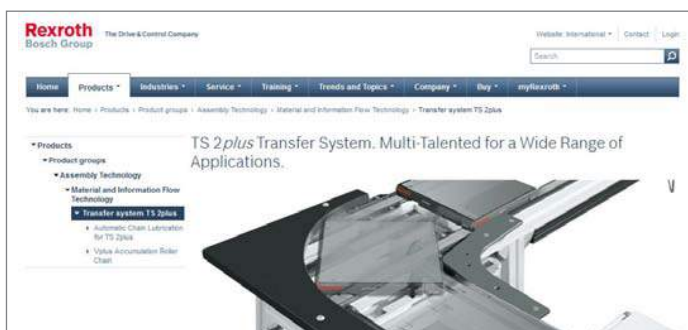


Catalog: R999000402

www.boschrexroth.com/mediadirectory

VarioFlow plus

With its VarioFlow plus system Rexroth offers you a high-performance, standardized and versatile conveyor system for use in the food & packaging and the healthcare fields as well as in automotive & electronic assembly lines and machine linking applications.



Catalog: R999000396

www.boschrexroth.com/mediadirectory

TS 2plus

As well as a range of conveyor media including polyamide belts, toothed belts, flat top chains and accumulation roller chains, TS 2plus offers a wealth of specific modular units in the curve, cross conveyor, positioning and drive units field.

Strut profiles



Strut profiles, 6 mm slot,
20 mm modular dimension
(p. 2-13)



Strut profiles, 8 mm slot,
30 mm modular dimension
(p. 2-18)



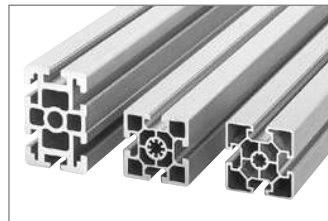
Strut profiles, 10 mm slot,
40 mm modular dimension
(p. 2-26)



Strut profiles, 10 mm slot,
45 mm modular dimension
(p. 2-37)



Strut profiles, 10 mm slot,
50 mm modular dimension
(p. 2-53)



Strut profiles, 10 mm slot,
60 mm modular dimension
(p. 2-55)



Rectangular tube (p. 2-57)
Clamping profile (p. 2-58)



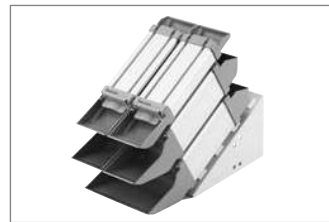
Frame profile 22.5x30 (p. 2-59)
22.5x45 (p. 2-60)



Angle profile (p. 2-61)
Suspension profile (p. 2-62)
Container mount (p. 2-63)



Slotted plate (p. 2-64)



Material chute (p. 2-65)



Profile rail, trolley (p. 2-67)



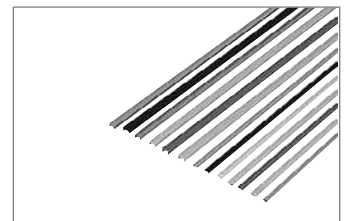
Profiles for installing
conveyor media (p. 2-68)



Round tube D28 (p. 2-71)
Strut profile D28x55 (p. 2-73)



EcoShape tubular framing
system (p. 2-74)



Cover profiles, additional
accessories (p. 2-86)

Strut profiles

With more than 100 strut profiles for all types of loading, Bosch Rexroth AG offers the widest product range for different demands:

- ▶ Square and rectangular profiles
- ▶ Light profiles with optimized cross-sections
- ▶ Round profiles and profiles with smooth lateral surfaces

Connectors with high load-bearing capacities, combined with ultra robust slots and large central bores, enable profile connections equipped to handle high static and dynamic loads.

Bosch Rexroth AG offers you 6 different profile ranges. All profiles within one profile range have the same slot dimensions and spacing to ensure perfect coordination during construction.

Due to their high degree of robustness, the 10 mm slotted profiles are suitable for constructions ranging from tables to heavy machine frames. They are available in four profile series with a slot spacing of 40 mm, 45 mm, 50 mm, or 60 mm.


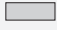
The profiles with 8 mm and 6 mm slots are used in the construction of lightweight equipment, partition walls, stands, or showcases.

Profile length in profile packaging units

The stated length of the profile packaging units relates to the guaranteed usable length.

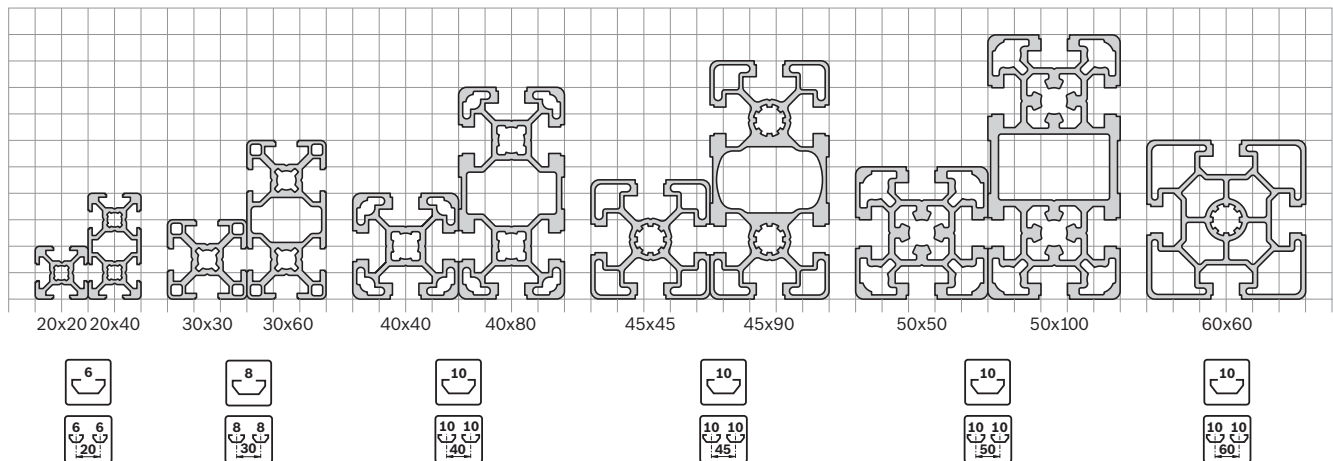
During anodizing as part of the manufacturing process bare areas which are approx. 30 mm long are left at each end of the profile (= contact areas), so the profiles are generally supplied incorporating an excess length of 100 mm.

Example:

45x45L		L (mm)	No.
	20 pcs		6000 8 981 004 744

Note: The length dimension “L” in the table equals the usable length, whereas the actual length is approx. 100 mm longer.

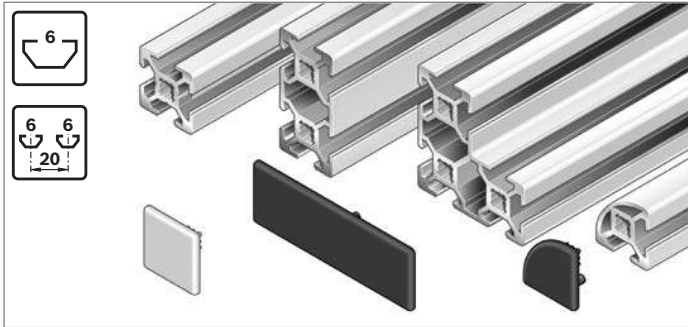
Strut profiles – slot sizes and modular dimensions



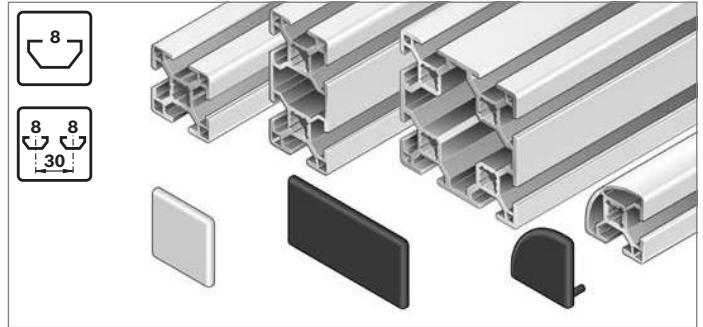
00111714

Strut profiles – slot sizes and modular dimensions

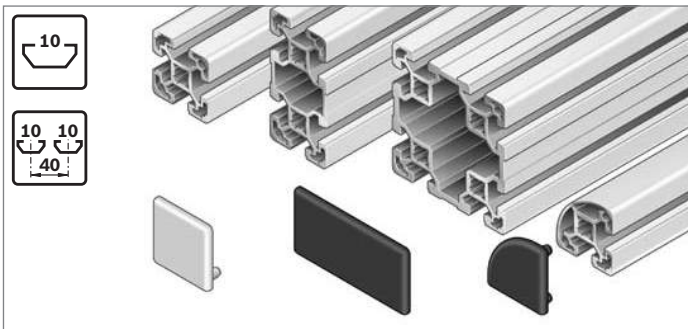
6 mm slot, 20 mm modular dimension



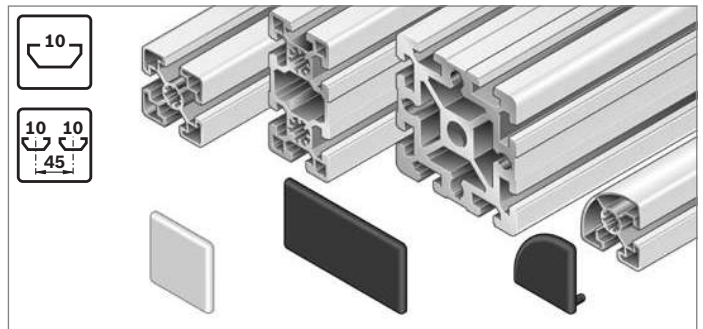
8 mm slot, 30 mm modular dimension



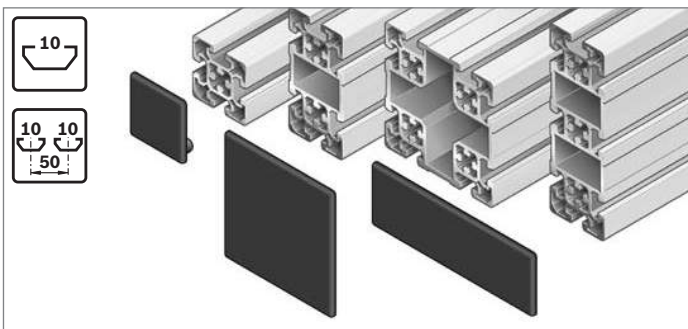
10 mm slot, 40 mm modular dimension



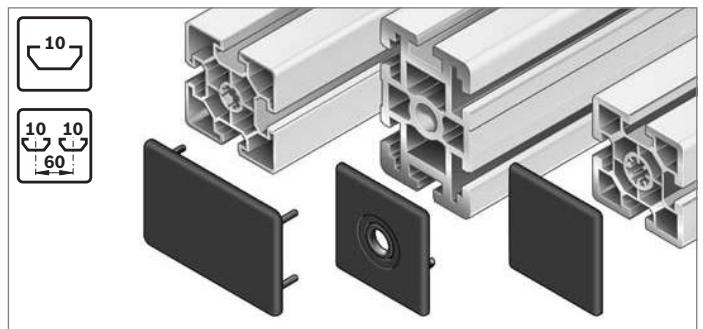
10 mm slot, 45 mm modular dimension

























10 mm slot, 50 mm modular dimension















































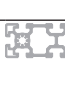
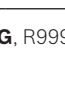

10 mm slot, 60 mm modular dimension















































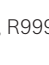
Technical data – profiles

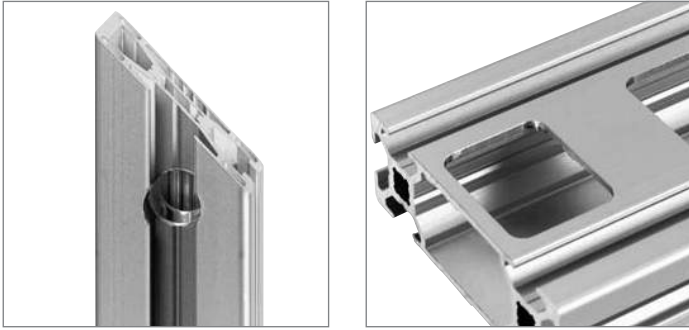
Profile	Slot	Profile surface	Moment of inertia			Section modulus		Torsion index		Mass m	Page
			A (cm ² /in ²)	I _x (cm ⁴ /in ⁴)	I _y (cm ⁴ /in ⁴)	W _x (cm ³ /in ³)	W _y (cm ³ /in ³)	I _t (cm ⁴ /in ⁴)	W _t (cm ³ /in ³)		
20x20		6	1.6	0.7	0.7	0.7	0.7	0.08	0.17	0.4	2-14
			0.248	0.017	0.017	0.043	0.043	0.002	0.010	0.269	
20x20 1N		6	1.9	0.8	0.8	0.8	0.8	0.60	0.67	0.5	2-14
			0.295	0.019	0.019	0.049	0.049	0.014	0.041	0.336	
20x20 2N		6	1.8	0.7	0.8	0.7	0.8	0.31	0.52	0.5	2-14
			0.279	0.017	0.019	0.043	0.049	0.007	0.032	0.336	
20x20 2NVS		6	1.8	0.7	0.7	0.7	0.7	0.37	0.52	0.5	2-15
			0.279	0.017	0.017	0.043	0.043	0.009	0.032	0.336	
20x20 3N		6	1.7	0.7	0.8	0.7	0.7	0.19	0.34	0.5	2-15
			0.264	0.017	0.019	0.043	0.043	0.005	0.021	0.336	
20x20 R		6	1.6	0.6	0.6	0.5	0.5	0.21	0.39	0.4	2-15
			0.248	0.014	0.014	0.031	0.031	0.005	0.024	0.269	
20x40		6	2.9	4.6	1.2	2.5	1.4	0.68	0.91	0.8	2-16
			0.450	0.111	0.029	0.153	0.085	0.016	0.056	0.538	
20x60		6	3.5	14.2	1.7	4.7	1.7	2.30	2.00	0.9	2-16
			0.543	0.341	0.041	0.287	0.104	0.055	0.122	0.605	
20x40x40		6	4.2	6.0	6.0	2.6	2.6	1.50	1.30	1.1	2-16
			0.651	0.144	0.144	0.159	0.159	0.036	0.079	0.739	
10x40		6	2.1	3.2	0.2	1.6	0.4	–	–	0.6	2-17
			0.326	0.077	0.005	0.098	0.024			0.403	
30x30		8	3.1	2.8	2.8	1.8	1.8	0.29	0.33	0.9	2-19
			0.481	0.067	0.067	0.110	0.110	0.007	0.020	0.605	
30x30 1N		8	3.7	3.1	3.5	2.0	2.3	2.80	1.50	1.0	2-19
			0.574	0.074	0.084	0.122	0.140	0.067	0.092	0.672	
30x30 2N		8	3.5	2.8	3.5	2.1	2.7	1.50	1.20	1.0	2-19
			0.543	0.067	0.084	0.129	0.165	0.036	0.073	0.672	
30x30 2NVS		8	3.5	3.1	3.1	2.0	2.0	1.70	1.10	1.0	2-20
			0.543	0.074	0.074	0.122	0.122	0.041	0.067	0.672	
30x30 3N		8	3.3	3.1	2.8	2.3	2.1	0.86	0.73	0.9	2-20
			0.512	0.074	0.067	0.140	0.129	0.021	0.045	0.605	
30x30°		8	3.7	3.5	3.6	2.0	1.9	1.50	2.00	1.0	2-17
			0.574	0.084	0.087	0.122	0.116	0.036	0.122	0.672	
30x45°		8	4.0	3.6	5.1	2.1	2.3	2.10	2.40	1.1	2-21
			0.620	0.087	0.123	0.129	0.140	0.050	0.146	0.739	
30x60°		8	3.6	3.0	4.1	1.7	1.9	1.50	2.00	1.0	2-21
			0.558	0.072	0.099	0.104	0.116	0.036	0.122	0.672	
30x30 R		8	2.9	2.3	2.3	1.4	1.4	0.81	1.20	0.8	2-21
			0.450	0.055	0.055	0.085	0.085	0.019	0.073	0.538	
30x60		8	5.5	19.6	5.1	7.0	3.9	2.60	2.10	1.5	2-22
			0.853	0.471	0.123	0.427	0.238	0.062	0.128	1.008	
30x60 4N		8	5.8	20.2	5.5	6.7	3.8	4.80	2.40	1.6	2-22
			0.899	0.485	0.132	0.409	0.232	0.115	0.146	1.075	
30x60x60		8	8.2	26.2	26.2	7.6	7.6	6.40	3.60	2.2	2-22
			1.271	0.630	0.630	0.464	0.464	0.154	0.220	1.479	

Profile	Slot	Profile surface	Moment of inertia			Section modulus		Torsion index		Mass	Page
			A (cm ² /in ²)	I _x (cm ⁴ /in ⁴)	I _y (cm ⁴ /in ⁴)	W _x (cm ³ /in ³)	W _y (cm ³ /in ³)	I _t (cm ⁴ /in ⁴)	W _t (cm ³ /in ³)	m (kg/m; lbs/ft)	
30x90		8	7.7	60.7	7.3	13.5	4.9	5.10	3.80	2.1	2-23
			1.194	1.459	0.175	0.824	0.299	0.123	0.232	1.411	
30x120		8	9.9	136.3	9.6	22.7	6.4	7.60	5.60	2.7	2-23
			1.535	3.275	0.231	1.385	0.391	0.183	0.342	1.815	
30x45		8/10	4.0	8.1	3.9	3.9	2.9	1.30	1.30	1.1	2-24
			0.620	0.195	0.094	0.238	0.177	0.031	0.079	0.739	
60x60 8N		8	9.8	39.7	39.7	13.2	13.2	19.30	6.80	2.6	2-24
			1.519	0.954	0.954	0.805	0.805	0.464	0.415	1.748	
11x20		8	1.0	0.5	0.1	0.7	0.3	-	-	0.3	2-24
			0.155	0.012	0.002	0.043	0.018			0.202	
15x120		8	9.0	110.4	2.2	18.4	2.7	-	-	2.4	2-25
			1.395	2.653	0.053	1.123	0.165			1.613	
40x40L		10	5.6	9.1	9.1	4.5	4.5	1.30	0.74	1.5	2-28
			0.868	0.219	0.219	0.275	0.275	0.031	0.045	1.008	
40x40L 0N		10	6.3	10.4	10.4	5.2	5.2	10.70	4.30	1.7	2-28
			0.977	0.250	0.250	0.317	0.317	0.257	0.262	1.143	
40x40L 1N		10	6.1	9.1	9.1	4.5	4.5	6.90	3.70	1.7	2-28
			0.946	0.219	0.219	0.275	0.275	0.166	0.226	1.143	
40x40L 2N		10	6.0	9.0	10.3	4.5	5.2	4.00	3.00	1.6	2-29
			0.930	0.216	0.248	0.275	0.317	0.096	0.183	1.075	
40x40L 2NVS		10	6.0	9.7	9.7	4.9	4.9	4.50	2.70	1.6	2-29
			0.930	0.233	0.233	0.299	0.299	0.108	0.165	1.075	
40x40L 3N		10	5.8	9.7	9.0	4.8	4.5	2.60	1.70	1.6	2-29
			0.899	0.233	0.216	0.293	0.275	0.062	0.104	1.075	
40x30°		10	6.2	9.4	11.8	4.7	5.9	3.00	3.10	1.7	2-30
			0.961	0.226	0.284	0.287	0.360	0.072	0.189	1.143	
40x45°		10	6.8	9.9	16.6	5.0	8.3	4.20	3.70	1.8	2-30
			1.054	0.238	0.399	0.305	0.506	0.101	0.226	1.210	
40x60°		10	6.3	8.7	13.1	4.3	6.5	3.00	3.10	1.7	2-30
			0.977	0.209	0.315	0.262	0.397	0.072	0.189	1.143	
40x40L R		10	5.0	7.2	7.2	3.6	3.6	2.50	2.00	1.3	2-31
			0.775	0.173	0.173	0.220	0.220	0.060	0.122	0.874	
40x40 HR		10	5.5	8.1	7.6	4.0	3.6	4.60	2.80	1.5	2-31
			0.853	0.195	0.183	0.244	0.220	0.111	0.171	1.008	
40x80L		10	9.9	63.4	17.3	15.9	8.7	8.02	4.80	2.7	2-32
			1.535	1.524	0.416	0.970	0.531	0.193	0.293	1.815	
40x80L 4N		10	10.4	65.2	19.1	16.3	9.9	13.30	4.40	2.8	2-32
			1.612	1.567	0.459	0.995	0.604	0.320	0.268	1.882	
40x80L 3NVS		10	10.6	67.8	19.0	17.0	9.5	15.90	5.20	2.9	2-33
			1.643	1.629	0.457	1.037	0.580	0.382	0.317	1.949	
40x80x80L		10	15.4	96.6	96.6	24.2	24.2	19.60	9.80	4.2	2-33
			2.387	2.321	2.321	1.477	1.477	0.471	0.598	2.823	
40x120L		10	15.5	203.2	27.8	33.9	13.9	17.20	10.00	4.2	2-33
			2.403	4.883	0.668	2.069	0.848	0.413	0.610	2.823	
40x160L		10	20.5	466.7	37.2	58.3	18.6	25.80	14.60	5.5	2-34
			3.178	11.215	0.894	3.557	1.135	0.620	0.891	3.697	
80x80L		10	18.2	132.1	132.1	33.0	33.0	59.80	17.20	4.9	2-34
			2.821	3.174	3.174	2.014	2.014	1.437	1.050	3.293	
80x80L 4NVS		10	19.3	142.5	142.5	35.6	35.6	92.00	16.80	5.2	2-35
			2.992	3.424	3.424	2.172	2.172	2.211	1.025	3.495	

Profile	Slot	Profile surface	Moment of inertia		Section modulus		Torsion index		Mass m (kg/m; lbs/ft)	Page	
			A (cm ² /in ²)	I _x (cm ⁴ /in ⁴)	I _y (cm ⁴ /in ⁴)	W _x (cm ³ /in ³)	W _y (cm ³ /in ³)	I _t (cm ⁴ /in ⁴)			W _t (cm ³ /in ³)
80x80L 6N		10	18.8	134.1	140.9	33.5	36.2	72.60	15.00	5.1	2-35
			2.914	3.222	3.386)	2.044	2.209	1.745	0.915	3.428	
40x120x120L		10	24.6	318.0	318.0	42.2	42.2	37.10	19.00	6.7	2-35
			3.813	7.642	7.642	2.575	2.575	0.892	1.159	4.503	
80x120L		10	25.6	389.2	192.8	64.9	48.2	119.00	29.10	6.9	2-36
			3.968	9.352	4.633	3.960	2.941	2.860	1.776	4.638	
80x160L		10	32.9	850.7	253.4	106.3	63.4	182.00	41.10	8.9	2-36
			5.100	20.442	6.089	6.486	3.869	4.373	2.508	5.982	
45x45L		10	6.0	11.7	11.7	5.2	5.2	1.46	0.75	1.6	2-37
			0.930	0.281	0.281	0.317	0.317	0.035	0.046	1.075	
45x45L 0N		10	6.7	13.5	13.5	6.0	6.0	16.20	6.10	1.8	2-37
			1.039	0.324	0.324	0.366	0.366	0.389	0.372	1.210	
45x45L 1N		10	6.5	12.6	13.5	5.5	6.0	10.00	5.20	1.8	2-38
			1.008	0.303	0.324	0.336	0.366	0.240	0.317	1.210	
45x45L 2N		10	6.4	11.6	13.5	5.2	6.0	5.50	4.30	1.7	2-38
			0.992	0.279	0.324	0.317	0.366	0.132	0.262	1.143	
45x45L 2NVS		10	6.4	12.6	12.6	5.6	5.6	6.30	3.80	1.7	2-38
			0.992	0.303	0.303	0.342	0.342	0.151	0.232	1.143	
45x45L 3N		10	6.2	12.6	11.7	5.4	5.2	3.40	2.40	1.7	2-39
			0.961	0.303	0.281	0.330	0.317	0.082	0.146	1.143	
45x30°		10	6.9	12.7	15.2	5.0	5.3	6.60	5.70	1.9	2-39
			1.070	0.305	0.365	0.305	0.323	0.159	0.348	1.277	
45x45°		10	7.6	13.4	21.4	5.2	6.4	9.00	6.80	2.0	2-39
			1.178	0.322	0.514	0.317	0.391	0.216	0.415	1.344	
45x60°		10	6.8	11.4	16.9	4.4	5.2	6.80	4.30	1.8	2-40
			1.054	0.274	0.406	0.268	0.317	0.163	0.262	1.210	
45x45L R		10	4.9	8.6	8.6	5.0	5.0	3.30	2.80	1.3	2-40
			0.760	0.207	0.207	0.305	0.305	0.079	0.171	0.874	
45x45HR		10	6.6	11.0	10.7	4.4	4.8	7.60	3.40	1.8	2-40
			1.023	0.264	0.257	0.268	0.293	0.183	0.207	1.210	
45x45		10	7.5	13.8	13.8	6.1	6.1	2.65	0.96	2.0	2-41
			1.163	0.332	0.332	0.372	0.372	0.064	0.059	1.344	
45x60		10	11.0	37.2	22.7	12.4	10.1	6.70	4.09	3.0	2-42
			1.705	0.894	0.545	0.757	0.616	0.161	0.250	2.016	
45x90SL		10	9.0	73.4	18.1	16.3	8.0	8.57	4.00	2.4	2-43
			1.395	1.764	0.435	0.995	0.488	0.206	0.244	1.613	
45x90L		10	11.3	82.0	23.6	18.2	10.5	15.10	4.40	3.0	2-43
			1.752	1.970	0.567	1.111	0.641	0.363	0.268	2.016	
45x90L 2N		10	12.0	85.6	26.9	38.1	6.0	31.70	7.70	3.2	2-44
			1.860	2.057	0.646	2.325	0.366	0.762	0.470	2.151	
45x90L 3NVS		10	11.8	87.2	25.2	38.8	5.6	25.70	6.60	3.2	2-44
			1.829	2.095	0.606	2.368	0.342	0.618	0.403	2.151	
45x90		10	15.4	124.6	32.8	27.7	14.6	15.40	6.61	4.2	2-45
			2.387	2.994	0.788	1.690	0.891	0.370	0.403	2.823	
45x180		10	25.5	766.7	57.3	85.2	25.5	44.40	17.00	6.9	2-46
			3.953	18.424	1.377	5.199	1.556	1.067	1.037	4.638	

Profile	Slot	Profile surface	Moment of inertia			Section modulus		Torsion index		Mass m (kg/m; lbs/ft)	Page
			A (cm ² /in ²)	I _x (cm ⁴ /in ⁴)	I _y (cm ⁴ /in ⁴)	W _x (cm ³ /in ³)	W _y (cm ³ /in ³)	I _t (cm ⁴ /in ⁴)	W _t (cm ³ /in ³)		
45x270		10	61.9	3962.0	118.0	300.2	61.6	-	-	16.7	2-46
			9.595	95.207	2.836	18.318	3.759			11.225	
45x90x90L		10	21.2	152.1	152.1	19.1	32.6	34.90	11.60	5.7	2-47
			3.286	3.655	3.655	1.165	1.989	0.839	0.708	3.831	
45x90x90L 4 N		10	22.1	160.8	160.8	30.6	30.6	65.30	17.20	5.95	2-47
			3.426	3.864	3.864	1.867	1.867	1.569	1.050	3.999	
90x90SL		10	14.1	130.2	130.2	28.9	28.9	42.50	13.90	3.8	2-47
			2.186	3.129	3.129	1.763	1.763	1.021	0.848	2.554	
90x90L		10	24.1	211.1	211.1	46.9	46.9	82.10	20.10	6.5	2-48
			3.736	5.073	5.073	2.862	2.862	1.973	1.227	4.369	
90x90L 4N		10	24.2	227.4	214.7	50.5	47.7	122.00	22.20	6.5	2-48
			3.751	5.464	5.159	3.082	2.911	2.932	1.355	4.369	
90x90L 4NVS		10	24.2	220.9	220.9	49.2	49.2	127.00	22.00	6.5	2-49
			3.751	5.308	5.308	3.002	3.002	3.052	1.342	4.369	
90x90		10	38.4	299.8	299.8	66.7	66.7	118.60	26.00	10.4	2-49
			5.952	7.204	7.204	4.070	4.070	2.850	1.587	6.990	
90x180L		10	42.8	1380.0	401.0	153.3	89.1	257.00	47.10	11.6	2-50
			6.634	33.161	9.636	9.354	5.437	6.176	2.874	7.797	
90x180		10	63.6	2138.3	544.3	237.6	121.0	429.00	64.00	17.2	2-50
			9.858	51.383	13.080	14.498	7.383	10.309	3.905	11.561	
90x360		10	90.2	14065.0	710.0	781.4	157.7	937.10	117.60	24.4	2-51
			13.981	337.982	17.061	47.681	9.623	22.519	7.176	16.400	
15x22.5		10	1.3	0.8	0.3	0.9	0.6	-	-	0.3	2-51
			0.202	0.019	0.007	0.055	0.037			0.202	
15x180		10	11.6	321.7	3.2	35.7	4.2	-	-	3.1	2-52
			1.798	7.730	0.077	2.178	0.256			2.084	
22.5x45		10	4.7	7.1	2.9	3.2	2.6	-	-	1.3	2-52
			0.729	0.171	0.070	0.195	0.159			0.874	
22.5x180		10	21.6	581.0	11.8	66.8	14.7	-	-	5.8	2-52
			3.348	13.961	0.284	4.076	0.897			3.898	
50x50L		10	9.3	21.2	21.2	8.5	8.5	5.37	4.30	2.5	2-53
			1.442	0.508	0.508	0.519	0.519	0.129	0.262	1.680	
50x100L		10	17.2	162.8	42.6	32.6	17.0	29.43	10.70	4.6	2-53
			2.666	3.912	1.024	1.989	1.037	0.707	0.653	3.092	
50x150L		10	25.8	540.0	64.2	72.0	25.7	52.10	20.50	6.9	2-54
			3.999	12.976	1.543	4.393	1.568	1.252	1.251	4.638	
100x100L		10	29.9	318.3	318.3	63.7	63.7	153.53	31.40	8.1	2-54
			4.635	7.649	7.649	3.887	3.887	3.689	1.916	5.444	
100x200L		10	54.0	2133.1	602.1	213.3	120.4	421.00	75.70	14.6	2-55
			8.370	51.258	14.468	13.016	7.347	10.117	4.619	9.813	
60x60L		10	9.6	32.4	32.4	10.8	10.8	13.20	8.70	2.6	2-55
			1.488	0.779	0.779	0.659	0.659	0.317	0.531	1.748	
60x60		10	14.4	52.2	52.2	17.4	17.4	15.90	8.80	3.9	2-56
			2.232	1.254	1.254	1.062	1.062	0.382	0.537	2.621	
60x90		10	25.8	214.2	90.5	47.6	30.2	45.80	18.00	7.0	2-56
			3.999	5.147	2.175	2.905	1.843	1.101	1.098	4.705	

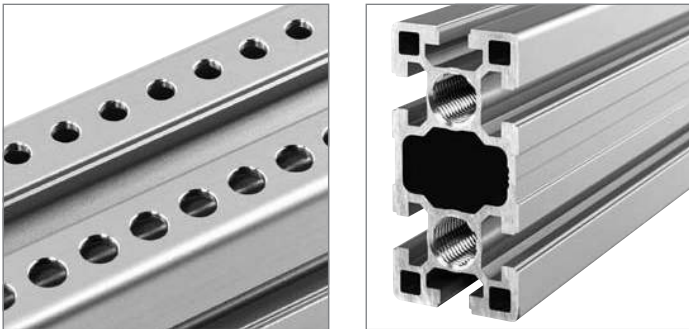
Profile	Slot	Profile surface	Moment of inertia		Section modulus		Torsion index		Mass m (kg/m; lbs/ft)	Page
			A (cm ² /in ²)	I _x (cm ⁴ /in ⁴)	I _y (cm ⁴ /in ⁴)	W _x (cm ³ /in ³)	W _y (cm ³ /in ³)	I _t (cm ⁴ /in ⁴)		
50x50 Rectangular tube	10		4.5 0.698	15.1 0.363	15.1 0.363	5.7 0.348	5.7 0.348	– –	1.2 0.807	2-57
Frame profile 22.5x30	10		3.2 0.496	1.7 0.041	3.0 0.072	1.5 0.092	2.0 0.122	– –	0.9 0.605	2-59
Frame profile 22.5x45	10		3.4 0.527	6.7 0.161	1.7 0.041	2.8 0.171	1.3 0.079	– –	0.9 0.605	2-60
Angle profile	10		4.5 0.698	8.8 0.211	6.9 0.166	3.2 0.195	2.3 0.140	– –	1.2 0.807	2-61
Suspension profile	10		2.0 0.310	2.0 0.048	0.5 0.012	2.7 0.165	0.3 0.018	– –	0.6 0.403	2-62
30x100 L/R Slotted plate	10		9.7 1.504	88.8 2.134	9.2 0.221	17.8 1.086	6.0 0.366	– –	2.6 1.748	2-64
30x100 M Slotted plate	10		9.7 1.504	88.8 2.134	9.2 0.221	17.8 1.086	6.0 0.366	– –	2.6 1.748	2-64
Profile rail 30x45C	10		4.4 0.682	10.3 0.248	5.6 0.135	4.2 0.256	3.7 0.226	– –	1.2 0.807	2-67
U-profile	10		4.4 0.682	10.4 0.250	8.3 0.199	4.6 0.281	4.1 0.250	– –	1.2 0.807	2-68
SP 2/R	8		5.2 0.806	4.3 0.103	11.7 0.281	2.4 0.146	5.2 0.317	– –	1.4 0.941	2-68
SP 2/B	10		10.4 1.612	49.6 1.192	25.8 0.620	12.1 0.738	11.5 0.702	– –	2.8 1.882	2-69
SP 2/B-50	8/10		6.9 1.070	16.1 0.387	16.9 0.406	5.3 0.323	7.5 0.458	– –	1.9 1.277	2-69
SP 2/B-100	10		11.9 1.845	95.1 2.285	30.4 0.731	20.0 1.220	13.5 0.824	– –	3.2 2.151	2-69
SP 2/BH	10		12.4 1.922	53.7 1.290	28.6 0.687	14.0 0.854	13.8 0.842	– –	3.3 2.218	2-70
SP 4/R	10		26.1 4.045	222.0 5.335	95.5 2.295	84.9 5.181	16.4 1.001	– –	3.5 2.352	2-70
D28			2.4 0.372	1.5 0.036	1.5 0.036	1.1 0.067	1.1 0.067	– –	0.7 0.470	2-72
D28x55			5.9 0.915	3.2 0.077	88.3 2.122	2.3 0.140	32.1 1.959	– –	1.6 1.075	2-73
D28L			1.8 0.279	1.3 0.031	1.3 0.031	1.0 0.061	1.0 0.061	– –	0.5 0.336	2-76
D28L; N10			2.6 0.403	1.2 0.029	2.0 0.048	0.8 0.049	1.4 0.085	– –	0.7 0.470	2-76
Section profile MV45x45	10		6.2 0.961	11.8 0.284	10.5 0.252	5.3 0.323	4.7 0.287	– –	1.7 1.143	12-28
30x30 WG30	8		3.2 0.496	2.5 0.060	3.0 0.072	1.6 0.098	1.9 0.116	– –	0.9 0.605	10-9
30x30 WG40	8		3.2 0.496	2.4 0.058	2.9 0.070	1.5 0.092	1.8 0.110	– –	0.9 0.605	10-9
30x45 WG30	8		4.5 0.698	7.3 0.175	4.2 0.101	3.2 0.195	2.7 0.165	– –	1.2 0.807	10-9
30x45 WG40	8		4.5 0.698	6.9 0.166	4.1 0.099	4.3 0.262	1.8 0.110	– –	1.2 0.807	10-9



Profile finishing

Profile finishing is required whenever interlocking connectors are used. Bores must be added for bolt connectors or threads cut in central bores, for example. This requires machining with standard dimensions. However, individual customer requirements can only be satisfied by customized profile finishes for all points along the profile.

Rexroth enables even these complex requirements to be met as standard. This is because we offer three options for ordering the right profile finishes:




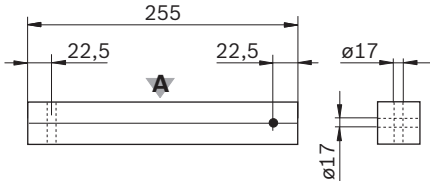
Standard profile finishes with fixed material numbers

For certain profiles, you can receive selected profile finishes with a fixed material number. This is the easiest way to order the appropriate profile finish for our proven interlocking profile connectors.

The available profile finishes are shown in pictograms in the order tables.

Example: 40x40L

3 842 993 126 / 255 D17  D17V



00133799

Coming in January 2017

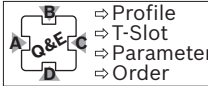
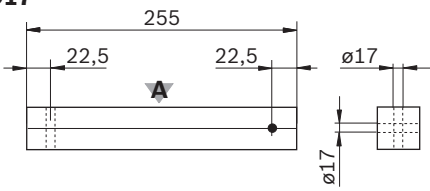
Quick & Easy – standard profile finishes

All profile finishes with standard dimensions: available for all profiles thanks to simple configuration with Quick & Easy.

For more information on the available profile finishes, see the fold-out section at the end of the catalog.

Example: 40x40L 2N

3 842 993 720 / 255 /
A=D17/-; B=-/D17

00133800

Coming in January 2017

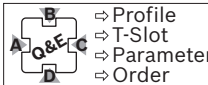
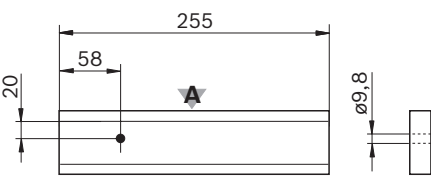
Quick & Easy – individual profile finishes

Get the greatest possible flexibility in defining your profile finishes. Individual finishing options can be achieved in virtually any combination and nearly every point along the profile.

For more information, see the fold-out section at the end of the catalog.

Example: 20x60

3 842 993 698 / 255 /
[B=D1; PS=58; OS=20; DM=9,8]

00133801



eShop and MTpro – software tools for designers, planners, and purchasers

Quick & Easy is supported by Rexroth’s eShop and the MTpro profile configurator.

We offer:

- ▶ Customer-friendly configurations
- ▶ Generation of 3D CAD models for designers
- ▶ Drawings at the press of a button
- ▶ Integration of frames/profiles in layouts
- ▶ Easy ordering at the click of a mouse

Coming in January 2017

45x90L
3 842 993 662

3 842 993 662	/	393	/	B = D17/-
Material number		Length		Standard finish
				D17 through-hole in slot B

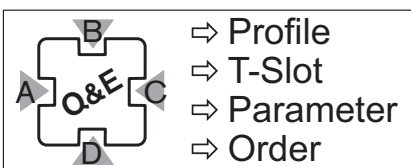
Quick & Easy – four steps for simple ordering

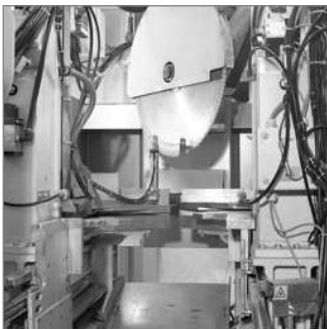
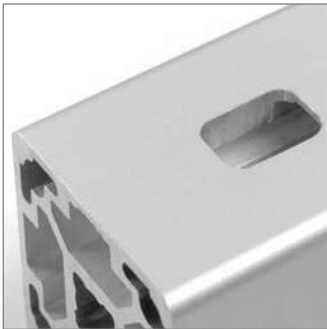
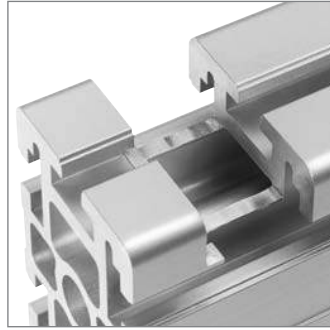
The type of profile finishing is defined in an order key; all finishes for a profile can be summarized in one order key.

1. Select profile cross-section and length
2. Specify slot for finishing:
all profile slots are identified with letters (A, B, C, etc.) arranged in clockwise order (see profile dimension images)
3. Define parameters:
 - type of finishing (drilling, milling, miter cutting)
 - Distance from profile end
4. Place order:
conventionally by fax or, preferably online in our eShop

Logical structure of the order key

Material number / length / [slot designation = finishing; parameter set]





Profile finishing

Rexroth offers you numerous connection options for putting strut profiles together. The wide variety of connector types is due to the differing demands made of the applications:

- ▶ Right-angled
- ▶ Variable-angle
- ▶ Internal
- ▶ Torsion-resistant
- ▶ Vibration-resistant
- ▶ With or without profile finishing

If you require a finished profile, it can be provided for you in an installation-ready form.

When you select the corresponding material number the profile is provided in cut, burr-free form, or alternatively fully finished with drilled holes or threads.

This eliminates risk for you and reduces your production workload.

If you wish to undertake the finishing yourself, here are a few tips:

Saw and saw blade

Segmental metal circular saw blade, carbide-tipped

Number of teeth: 92 or 96

Rotational speed: at least 2500 rpm

Finishing of central holes

As a rule, the threads can be directly formed and cut, but countersinks facilitate their production. The central holes of the strut profiles are designed for the following thread manufacturing processes.

Threads	Finish	Note
M6	Thread forming	–
M8	Thread forming	–
M12	Thread cutting	–
M16	Thread forming	Pre-drilling in some cases

Drilling jigs

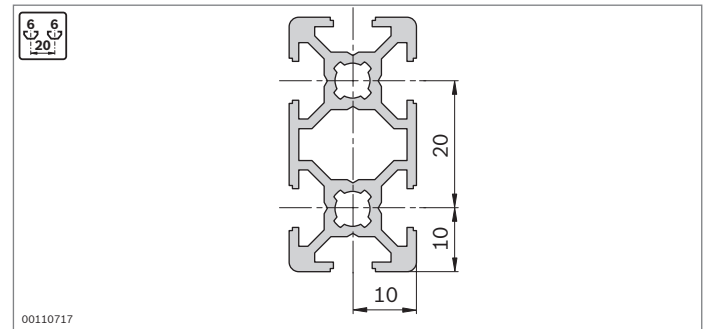
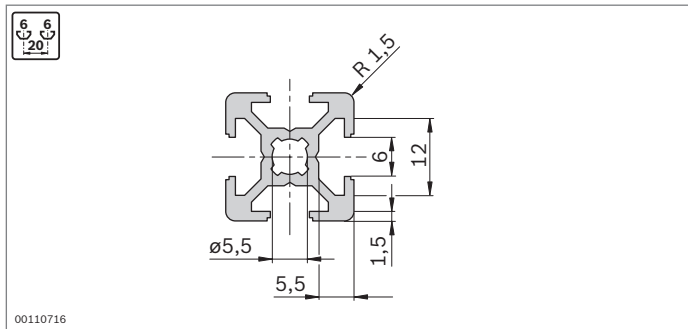
In the tools section you will find useful drilling jigs for the Rexroth standard finishes (p. 14-2).

Strut profiles with 6 mm slot

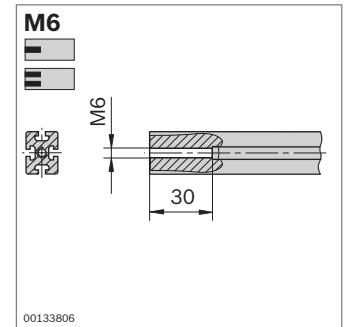
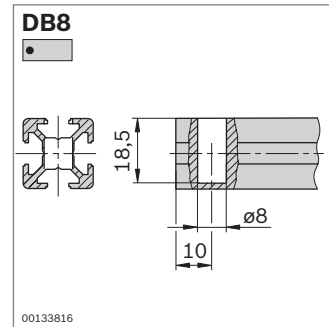
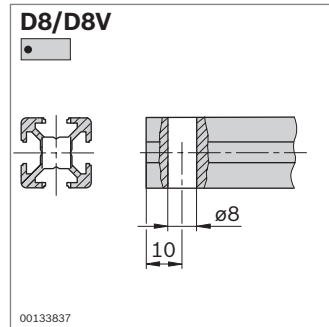
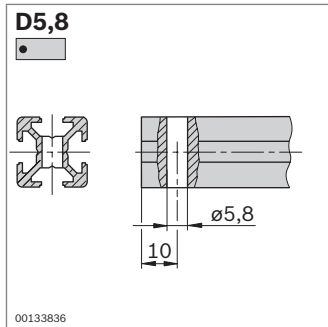
Strut profiles with 6 mm slot for light structures, such as supports and lab fixtures.

The 20x40 and 20x60 profiles are especially suitable for reinforcing; the 20x40x40 profile is suitable for constructing showcases, flow racks, and enclosures.

Slot, modular dimensions, central bore



Profile finishing

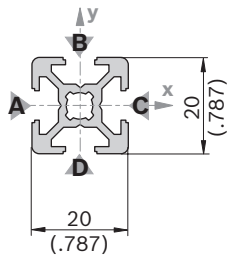


Minimum profile lengths (mm) for Quick & Easy standard profile finishes on one or both sides

	-	M6	D5.8	D8/DB8
-	50	50	50	50
M6	50	70	50	70
D5.8	50	50	50	50
D8/DB8	50	70	50	50

20x20

A = 1,6 cm²
 $I_x = 0,7 \text{ cm}^4$
 $I_y = 0,7 \text{ cm}^4$
 $W_x = 0,7 \text{ cm}^3$
 $W_y = 0,7 \text{ cm}^3$
 m = 0,4 kg/m



19168

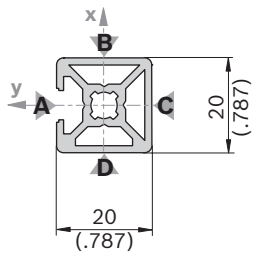
Cap	Color	ESD	No.
20x20 (1x)	Signal gray		100 3 842 548 742
20x20 (1x)	Black		20 3 842 548 743

Material: PP

20x20	L (mm)	No.
1 pc	50 ... 3000	3 842 992 888 / L
1 pc M6	50 ... 3000	3 842 993 230 / L
1 pc M6	70 ... 3000	3 842 993 231 / L
1 pc M6	70 ... 3000	3 842 993 494 / L
1 pc D8	50 ... 3000	3 842 993 493 / L
1 pc D8	50 ... 3000	3 842 993 495 / L
1 pc D8	50 ... 3000	3 842 993 496 / L
20 pcs	3000	3 842 517 179
1 pc	3000	3 842 517 173

20x20 1N

A = 1,9 cm²
 $I_x = 0,8 \text{ cm}^4$
 $I_y = 0,8 \text{ cm}^4$
 $W_x = 0,8 \text{ cm}^3$
 $W_y = 0,8 \text{ cm}^3$
 m = 0,5 kg/m



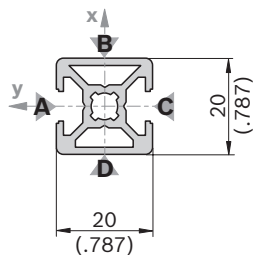
19169

Cap: See 20x20

20x20 1N	L (mm)	No.
1 pc	50 ... 3000	3 842 993 421 / L
20 pcs	3000	3 842 536 475
1 pc	3000	3 842 536 476

20x20 2N

A = 1,8 cm²
 $I_x = 0,7 \text{ cm}^4$
 $I_y = 0,8 \text{ cm}^4$
 $W_x = 0,7 \text{ cm}^3$
 $W_y = 0,8 \text{ cm}^3$
 m = 0,5 kg/m



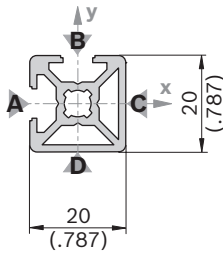
19170

Cap: See 20x20

20x20 2N	L (mm)	No.
1 pc	50 ... 3000	3 842 993 422 / L
20 pcs	3000	3 842 536 478
1 pc	3000	3 842 536 479

20x20 2NVS

A = 1,8 cm²
 I_x = 0,7 cm⁴
 I_y = 0,7 cm⁴
 W_x = 0,7 cm³
 W_y = 0,7 cm³
 m = 0,5 kg/m



19171

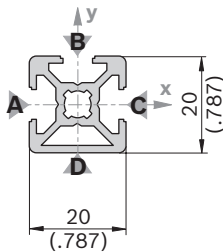
20x20 2NVS		L (mm)	No.
1 pc		50 ... 3000	3 842 992 924 / L
20 pcs		3000	3 842 519 658
1 pc		3000	3 842 519 657

2

Cap: see 20x20

20x20 3N

A = 1,7 cm²
 I_x = 0,7 cm⁴
 I_y = 0,8 cm⁴
 W_x = 0,7 cm³
 W_y = 0,7 cm³
 m = 0,5 kg/m



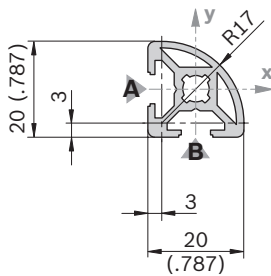
19172

20x20 3N		L (mm)	No.
1 pc		50 ... 3000	3 842 992 889 / L
20 pcs		3000	3 842 517 180
1 pc			3 842 517 174

Cap: See 20x20

20x20 R

A = 1,6 cm²
 I_x = 0,6 cm⁴
 I_y = 0,6 cm⁴
 W_x = 0,5 cm³
 W_y = 0,5 cm³
 m = 0,4 kg/m



19173

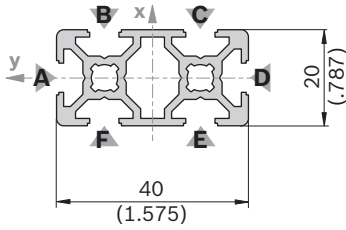
20x20 R		L (mm)	No.
1 pc		50 ... 3000	3 842 992 890 / L
20 pcs		3000	3 842 517 183
1 pc		3000	3 842 517 177

Cap	Color	ESD		No.
20x20 R (1x)	Signal gray		20	3 842 548 826
20x20 R (1x)	Black		20	3 842 548 827

Material: PP

20x40

A = 2,9 cm²
 I_x = 4,6 cm⁴
 I_y = 1,2 cm⁴
 W_x = 2,5 cm³
 W_y = 1,4 cm³
 m = 0,8 kg/m



Cap	Color	ESD	No.
20x20 (2x)	Signal gray	100	3 842 548 742
20x20 (2x)	Black	20	3 842 548 743

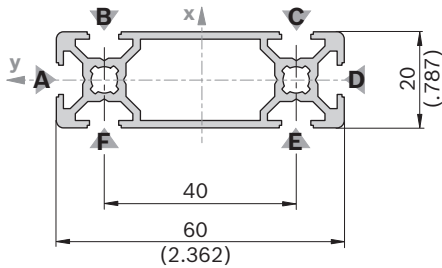
Material: PP

20x40	L (mm)	No.
1 pc	50 ... 3000	3 842 992 891 / L
1 pc D8	50 ... 3000	3 842 993 497 / L
1 pc D8 :D8	50 ... 3000	3 842 993 499 / L
1 pc D8 :D8V	50 ... 3000	3 842 993 500 / L
1 pc D8V	50 ... 3000	3 842 993 498 / L
1 pc D8V :D8V	50 ... 3000	3 842 993 501 / L
24 pcs	3000	3 842 537 816
1 pc	3000	3 842 517 178

Profile finishing: D8: in slots B/F, C/E
 D8V: in slots A/D

20x60

A = 3,5 cm²
 I_x = 14,2 cm⁴
 I_y = 1,7 cm⁴
 W_x = 4,7 cm³
 W_y = 1,7 cm³
 m = 0,9 kg/m



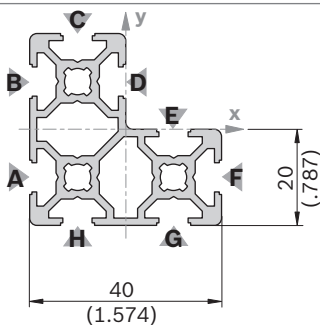
Cap	Color	ESD	No.
20x60 (1x)	Signal gray	20	3 842 548 828
20x60 (1x)	Black	20	3 842 548 829

Material: PP

20x60	L (mm)	No.
1 pc	50 ... 3000	3 842 992 992 / L
16 pcs	3000	3 842 537 819
1 pc	3000	3 842 532 239

20x40x40

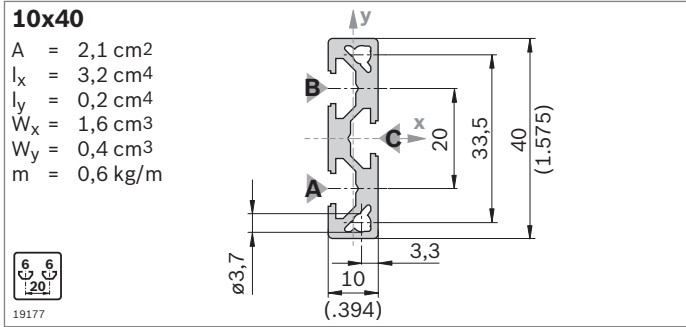
A = 4,2 cm²
 I_x = 6,0 cm⁴
 I_y = 6,0 cm⁴
 W_x = 2,6 cm³
 W_y = 2,6 cm³
 m = 1,1 kg/m



Cap	Color	ESD	No.
20x20 (3x)	Signal gray	100	3 842 548 742
20x20 (3x)	Black	20	3 842 548 743

Material: PP

20x40x40	L (mm)	No.
1 pc	50 ... 3000	3 842 992 991 / L
16 pcs	3000	3 842 537 818
1 pc	3000	3 842 523 241



10x40		L (mm)	No.
1 pc		50 ... 3000	3 842 993 077 / L
10 pcs		3000	3 842 526 817
1 pc		3000	3 842 526 816

Cap	Color	ESD		No.
10x40 (1x)	Signal gray		20	3 842 548 766
10x40 (1x)	Black		20	3 842 548 767

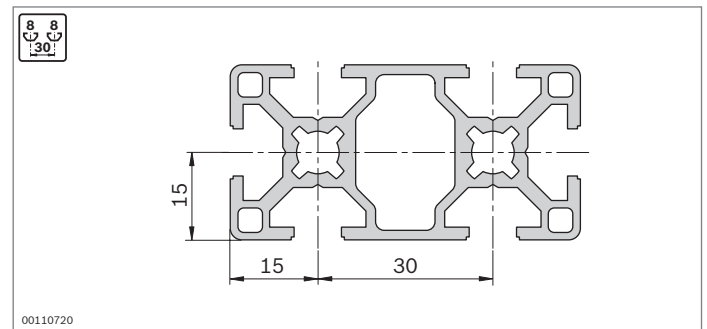
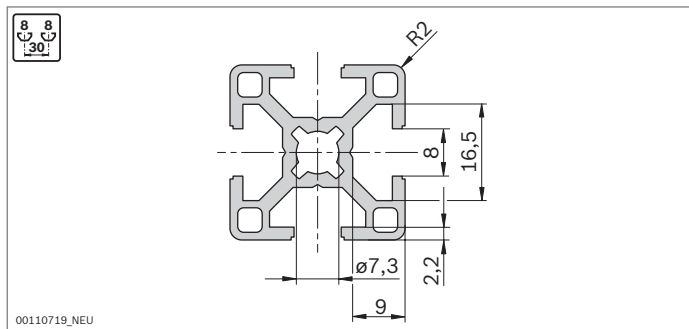
Material: PP

Strut profiles with 8 mm slot

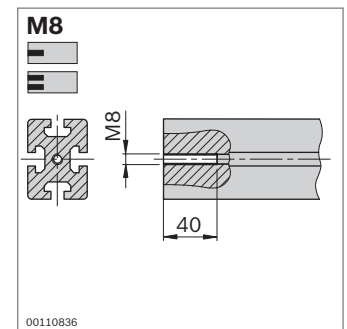
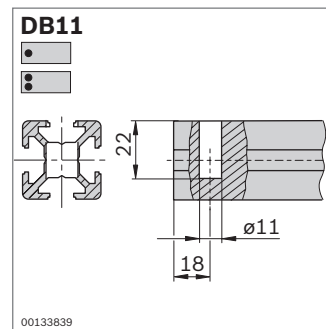
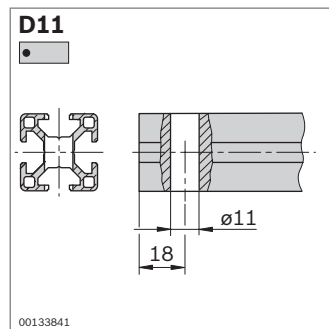
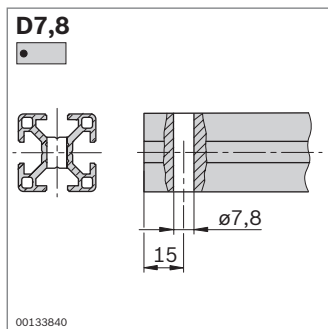
Strut profiles with a 8 mm slot are suitable for medium loads, such as material shuttles, light fixtures, frames and partition walls.

Profile 30x60x60 is suitable for constructing showcases and flow racks. Attractive covers and hoods can be designed with radius profiles.

Slot, modular dimensions, central bore



Profile finishing

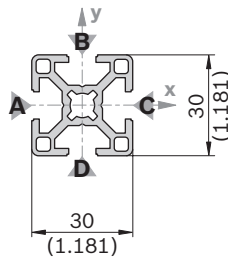


Minimum profile lengths (mm) for Quick & Easy standard profile finishes on one or both sides

	-	M8	D7.8	D11/DB11
-	50	50	50	50
M8	50	80	62	70
D7.8	50	62	60	50
D11/DB11	50	70	50	60

30x30

A = 3,1 cm²
 I_x = 2,8 cm⁴
 I_y = 2,8 cm⁴
 W_x = 1,8 cm³
 W_y = 1,8 cm³
 m = 0,9 kg/m



19178

Cap	Color	ESD	No.
30x30 (1x)	Signal gray	100	3 842 548 744
30x30 (1x)	Black	20	3 842 548 745

Material: PP

Cap with hole	Color	ESD	No.
30x30 (1x)	Signal gray	20	3 842 548 774
30x30 (1x)	Black	20	3 842 548 775

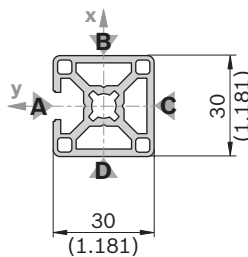
Material: PP

30x30

	L (mm)	No.
1 pc	50 ... 5600	3 842 990 720 / L
1 pc M8	50 ... 5600	3 842 990 721 / L
1 pc M8 M8	80 ... 5600	3 842 990 723 / L
1 pc M8 D11	70 ... 5600	3 842 990 724 / L
1 pc D7,8 D7,8	60 ... 5600	3 842 992 965 / L
1 pc D11	50 ... 5600	3 842 990 722 / L
1 pc D11 D11	60 ... 5600	3 842 990 725 / L
1 pc D11 D11V	60 ... 5600	3 842 990 726 / L
20 pcs	6000	3 842 502 538
1 pc	6000	3 842 501 574

30x30 1N

A = 3,7 cm²
 I_x = 3,1 cm⁴
 I_y = 3,5 cm⁴
 W_x = 2,0 cm³
 W_y = 2,3 cm³
 m = 1,0 kg/m



19179

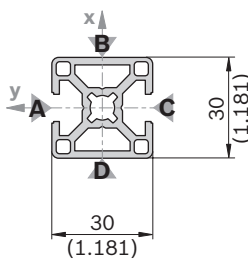
30x30 1N

	L (mm)	No.
1 pc	50 ... 5600	3 842 992 397 / L
20 pcs	5600	3 842 506 948
1 pc	5600	3 842 506 952

Cap: See 30x30

30x30 2N

A = 3,5 cm²
 I_x = 2,8 cm⁴
 I_y = 3,5 cm⁴
 W_x = 2,1 cm³
 W_y = 2,7 cm³
 m = 1,0 kg/m



19180

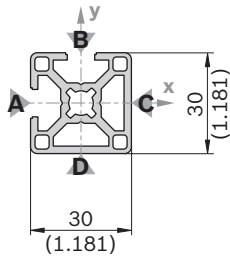
30x30 2N

	L (mm)	No.
1 pc	50 ... 5600	3 842 992 399 / L
20 pcs	5600	3 842 506 950
1 pc	5600	3 842 506 954

Cap: See 30x30

30x30 2NVS

A = 3,5 cm²
 $I_x = 3,1 \text{ cm}^4$
 $I_y = 3,1 \text{ cm}^4$
 $W_x = 2,0 \text{ cm}^3$
 $W_y = 2,0 \text{ cm}^3$
 m = 1,0 kg/m



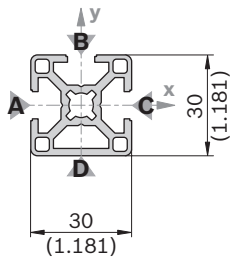
19181

30x30 2NVS		L (mm)	No.
1 pc		50 ... 5600	3 842 992 398 / L
20 pcs		5600	3 842 506 949
1 pc		5600	3 842 506 953

Cap: See 30x30

30x30 3N

A = 3,3 cm²
 $I_x = 3,1 \text{ cm}^4$
 $I_y = 2,8 \text{ cm}^4$
 $W_x = 2,3 \text{ cm}^3$
 $W_y = 2,1 \text{ cm}^3$
 m = 0,9 kg/m



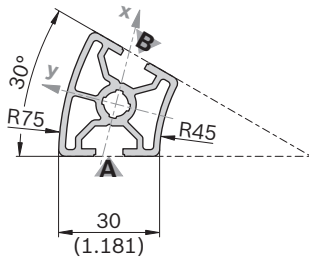
19182

30x30 3N		L (mm)	No.
1 pc		50 ... 5600	3 842 992 400 / L
20 pcs		5600	3 842 506 951
1 pc		5600	3 842 506 955

Cap: See 30x30

30x30°

A = 3,7 cm²
 $I_x = 3,5 \text{ cm}^4$
 $I_y = 3,6 \text{ cm}^4$
 $W_x = 2,0 \text{ cm}^3$
 $W_y = 1,9 \text{ cm}^3$
 m = 1,0 kg/m



19183

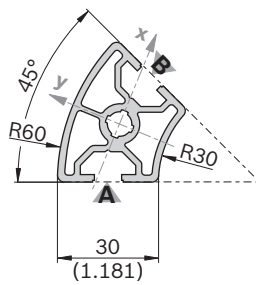
30x30°		L (mm)	No.
1 pc		50 ... 5600	3 842 993 010 / L
20 pcs		5600	3 842 524 031
1 pc		5600	3 842 524 030

Cap	Color	ESD	No.
30x30° (1x)	Black		20 3 842 524 050

Material: PA

30x45°

A = 4,0 cm²
 I_x = 3,6 cm⁴
 I_y = 5,1 cm⁴
 W_x = 2,1 cm³
 W_y = 2,3 cm³
 m = 1,1 kg/m



19184

30x45°		L (mm)	No.
1 pc		50 ... 5600	3 842 993 011 / L
20 pcs		5600	3 842 524 034
1 pc		5600	3 842 524 033

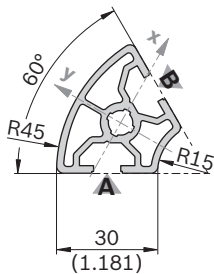
2

Cap	Color	ESD		No.
30x45° (1x)	Black		20	3 842 524 051

Material: PA

30x60°

A = 3,6 cm²
 I_x = 3,0 cm⁴
 I_y = 4,1 cm⁴
 W_x = 1,7 cm³
 W_y = 1,9 cm³
 m = 1,0 kg/m



19185

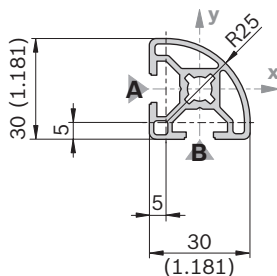
30x60°		L (mm)	No.
1 pc		50 ... 5600	3 842 993 012 / L
20 pcs		5600	3 842 524 037
1 pc		5600	3 842 524 036

Cap	Color	ESD		No.
30x60° (1x)	Black		20	3 842 524 052

Material: PA

30x30 R

A = 2,9 cm²
 I_x = 2,3 cm⁴
 I_y = 2,3 cm⁴
 W_x = 1,4 cm³
 W_y = 1,4 cm³
 m = 0,8 kg/m



19186

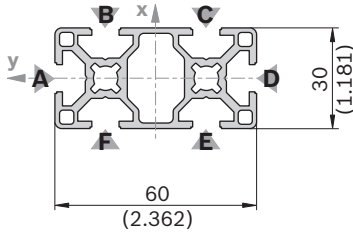
30x30 R		L (mm)	No.
1 pc		50 ... 5600	3 842 992 896 / L
20 pcs		5600	3 842 517 198
1 pc		5600	3 842 517 197

Cap	Color	ESD		No.
30x30 R (1x)	Signal gray		20	3 842 548 776
30x30 R (1x)	Black		20	3 842 548 777

Material: PP

30x60

A = 5,5 cm²
 $I_x = 19,6 \text{ cm}^4$
 $I_y = 5,1 \text{ cm}^4$
 $W_x = 7,0 \text{ cm}^3$
 $W_y = 3,9 \text{ cm}^3$
 m = 1,5 kg/m



19187

Cap	Color	ESD	No.
30x30 (2x)	Signal gray	100	3 842 548 744
30x60 (1x)	Signal gray	20	3 842 548 780
30x30 (2x)	Black	20	3 842 548 745
30x60 (1x)	Black	20	3 842 548 781

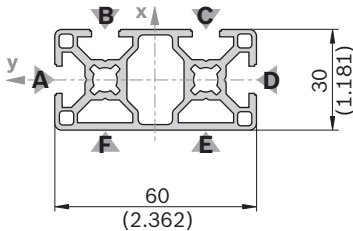
Material: PP

Cap with hole	Color	ESD	No.
30x30 (2x)	Signal gray	20	3 842 548 774
30x30 (2x)	Black	20	3 842 548 775

Material: PP

30x60 4N

A = 5,8 cm²
 $I_x = 20,2 \text{ cm}^4$
 $I_y = 5,5 \text{ cm}^4$
 $W_x = 6,7 \text{ cm}^3$
 $W_y = 3,8 \text{ cm}^3$
 m = 1,6 kg/m

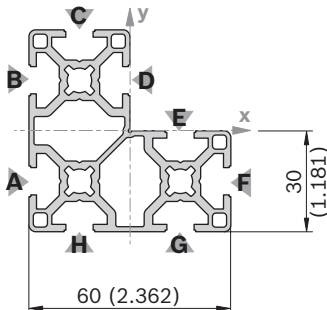


19188

Cap: See 30x60

30x60x60

A = 8,2 cm²
 $I_x = 26,2 \text{ cm}^4$
 $I_y = 26,2 \text{ cm}^4$
 $W_x = 7,6 \text{ cm}^3$
 $W_y = 7,6 \text{ cm}^3$
 m = 2,2 kg/m



19189

Cap	Color	ESD	No.
30x30 (3x)	Signal gray	100	3 842 548 744
30x30 (3x)	Black	20	3 842 548 745

Material: PP

30x60	L (mm)	No.
1 pc	50 ... 5600	3 842 992 457 / L
1 pc M8	50 ... 5600	3 842 992 458 / L
1 pc M8=M8	80 ... 5600	3 842 992 926 / L
1 pc D11	50 ... 5600	3 842 992 459 / L
1 pc D11:D11	60 ... 5600	3 842 992 460 / L
1 pc D11:D11V	60 ... 5600	3 842 992 463 / L
1 pc D11V:D11V	60 ... 5600	3 842 992 462 / L
10 pcs	5600	3 842 512 603
1 pc	5600	3 842 512 930

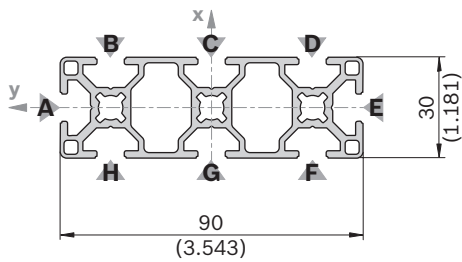
Profile finishing: M8: in all core holes
 D11: in slots B/F, C/E
 D11V: in slots A/D

30x60 4N	L (mm)	No.
1 pc	50 ... 6000	3 842 993 420 / L
10 pcs	6070	3 842 536 472
1 pc	6070	3 842 536 473

30x60x60	L (mm)	No.
1 pc	50 ... 5600	3 842 993 016 / L
20 pcs	5600	3 842 524 049
1 pc	5600	3 842 524 048

30x90

A = 7,7 cm²
 I_x = 60,7 cm⁴
 I_y = 7,3 cm⁴
 W_x = 13,5 cm³
 W_y = 4,9 cm³
 m = 2,1 kg/m



19190

30x90		L (mm) No.	
20 pcs		6070	3 842 541 937

Cap	Color	ESD	No.
30x30 (3x)	Signal gray	100	3 842 548 744
30x30 (3x)	Black		20 3 842 548 745

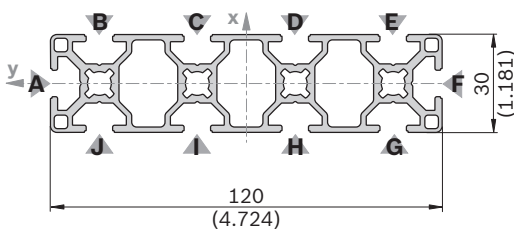
Material: PP

Cap with hole	Color	ESD	No.
30x30 (3x)	Signal gray	20	3 842 548 774
30x30 (3x)	Black		20 3 842 548 775

Material: PP

30x120

A = 9,9 cm²
 I_x = 136,3 cm⁴
 I_y = 9,6 cm⁴
 W_x = 22,7 cm³
 W_y = 6,4 cm³
 m = 2,7 kg/m



19191

30x120		L (mm) No.	
20 pcs		6070	3 842 541 939

Cap	Color	ESD	No.
30x30 (4x)	Signal gray	100	3 842 548 744
30x60 (2x)	Signal gray	20	3 842 548 780
30x30 (4x)	Black		20 3 842 548 745
30x60 (2x)	Black		20 3 842 548 781

Material: PP

Cap with hole	Color	ESD	No.
30x30 (4x)	Signal gray	20	3 842 548 774
30x30 (4x)	Black		20 3 842 548 775

Material: PP

30x45

$A = 4,0 \text{ cm}^2$
 $I_x = 8,1 \text{ cm}^4$
 $I_y = 3,9 \text{ cm}^4$
 $W_x = 3,9 \text{ cm}^3$
 $W_y = 2,9 \text{ cm}^3$
 $m = 1,1 \text{ kg/m}$

19192

30x45		L (mm)	No.
1 pc		50 ... 5600	3 842 992 430 / L
1 pc	M8	50 ... 5600	3 842 992 431 / L
18 pcs		5600	3 842 511 704
1 pc		5600	3 842 511 703

Cap	Color	ESD	No.
30x45 (1x)	Signal gray		20 3 842 548 778
30x45 (1x)	Black		20 3 842 548 779

Material: PP

Cap with hole	Color	ESD	No.
30x45 (1x)	Black		20 3 842 531 220

Material: PA

60x60 8N

$A = 9,8 \text{ cm}^2$
 $I_x = 39,7 \text{ cm}^4$
 $I_y = 39,7 \text{ cm}^4$
 $W_x = 13,2 \text{ cm}^3$
 $W_y = 13,2 \text{ cm}^3$
 $m = 2,6 \text{ kg/m}$

19193

60x60 8N		L (mm)	No.
1 pc		50 ... 6000	3 842 993 033 / L
20 pcs		6070	3 842 535 176
1 pc		6070	3 842 535 175

Cap	Color	ESD	No.
60x60 8N (1x)	Light gray		20 3 842 535 586

Material: PA

11x20

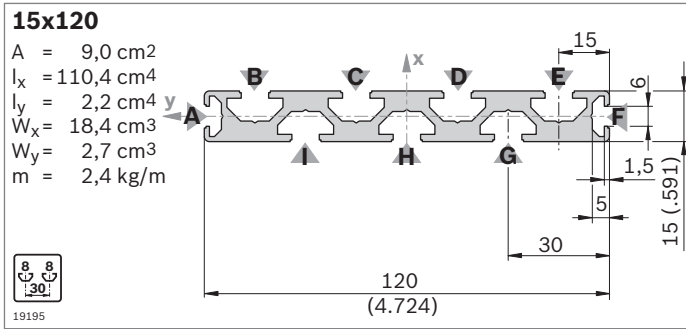
$A = 1,0 \text{ cm}^2$
 $I_x = 0,5 \text{ cm}^4$
 $I_y = 0,1 \text{ cm}^4$
 $W_x = 0,7 \text{ cm}^3$
 $W_y = 0,3 \text{ cm}^3$
 $m = 0,3 \text{ kg/m}$

19194

11x20		L (mm)	No.
1 pc		50 ... 2000	3 842 992 476 / L
10 pcs		2000	3 842 513 581
1 pc		2000	3 842 513 582

Cap	Color	ESD	No.
11x20 (1x)	Black		20 3 842 513 584

Material: PA



15x120		L (mm)	No.
1 pc		50 ... 3000	3 842 993 078 / L
10 pcs		3000	3 842 537 821
1 pc		3000	3 842 526 818

2

Cap	Color	ESD		No.
15x120 (1x)	Signal gray		20	3 842 548 768
15x120 (1x)	Black		20	3 842 548 769

Material: PP

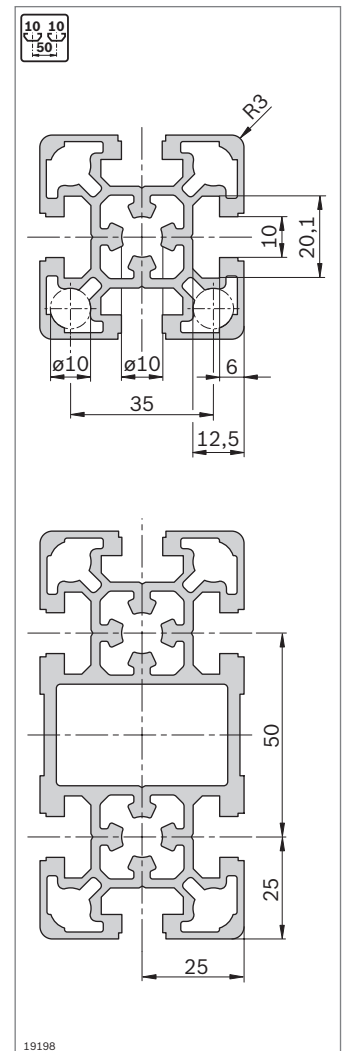
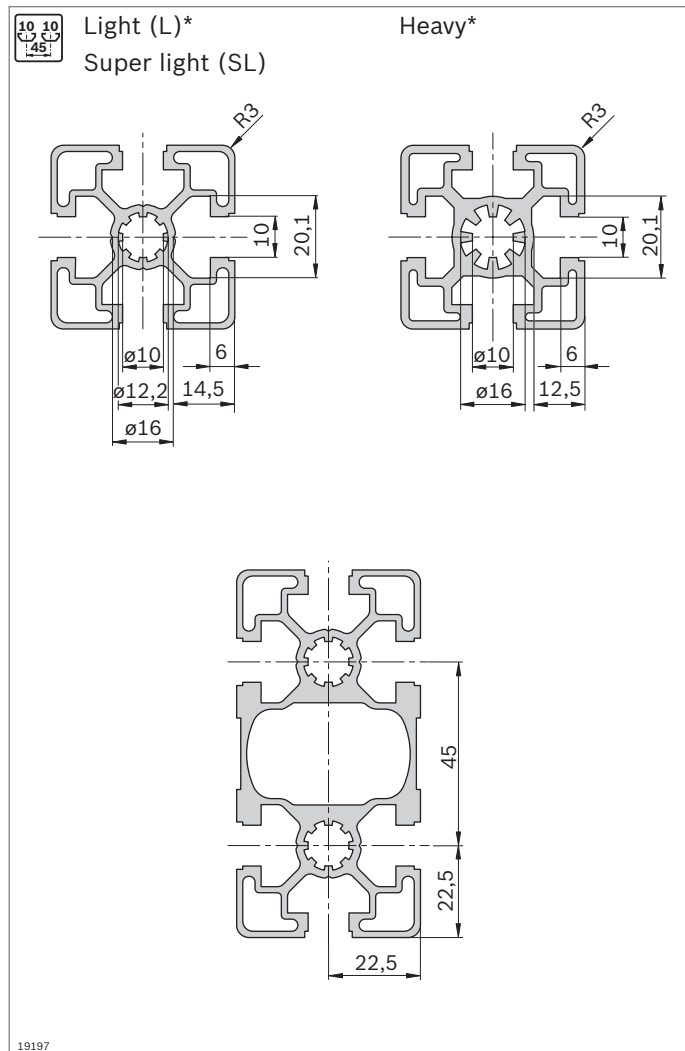
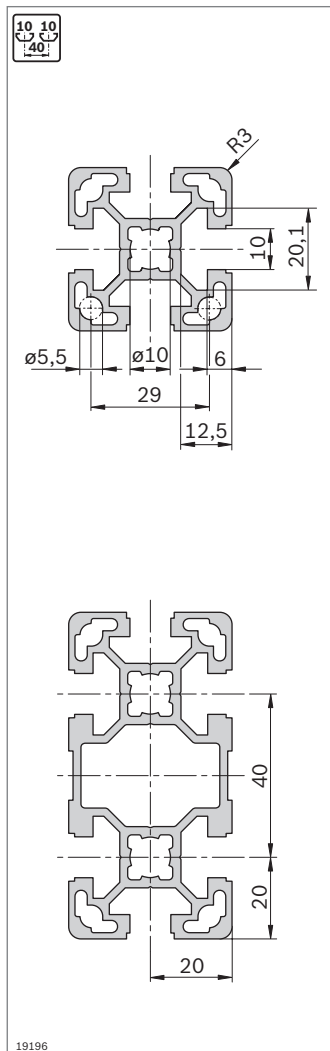
Strut profiles with 10 mm slot

The Rexroth modular profile system, with 10 mm slots in the modular dimensions 40 mm, 45 mm, 50 mm, and 60 mm, covers all conventional profile dimensions on the world market.

Thanks to their computer-optimized design, the strut profiles L with 10 mm slot (modular dimensions 40 mm, 45 mm, and

50 mm, e.g. 50x50L) combine high strengths with minimum use of materials. This gives you a cost-effective and stable solution for the construction of tables, protective enclosures or frames, for instance.

Slot, modular dimensions, central bore



*) The following L-profiles have a "heavy" slot geometry:
45x90x90L; 45x90x90L 4N; 90x90L; 90x90L 4N; 90x90L 4NVS; 90x180L

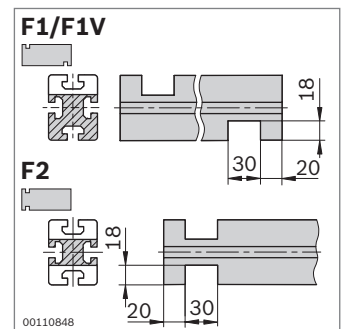
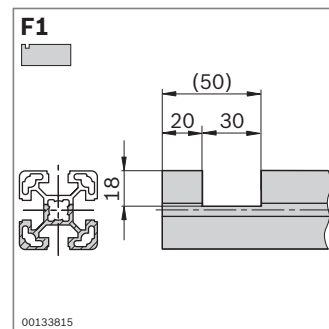
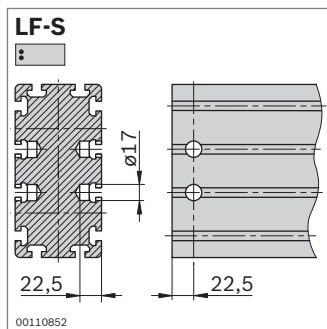
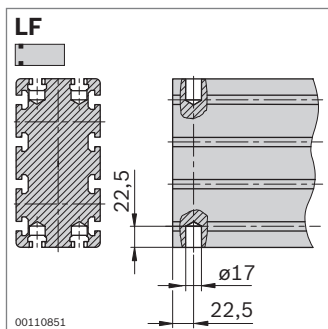
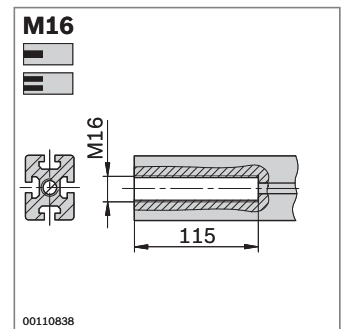
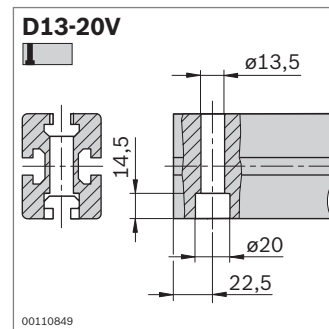
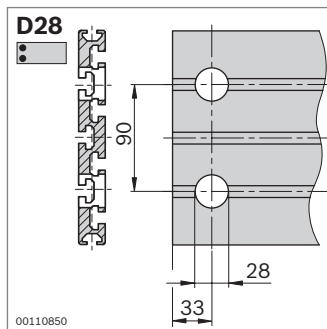
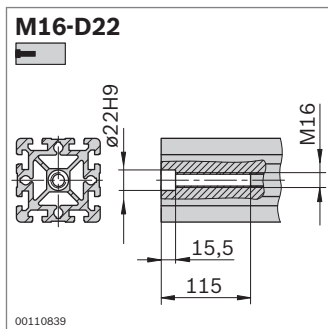
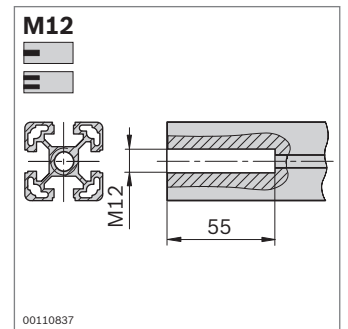
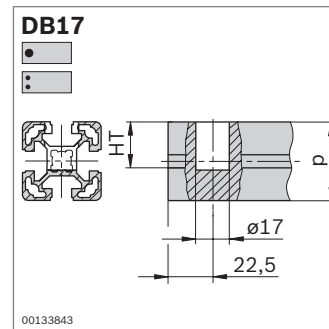
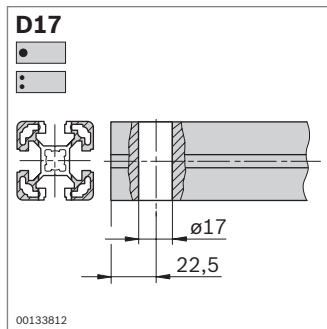
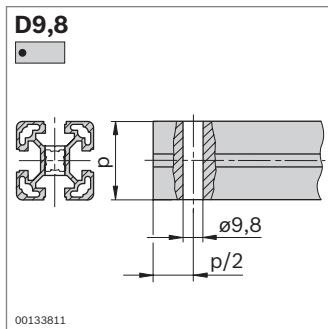
Minimum profile lengths (mm) for Quick & Easy standard profile finishes on one or both sides

	-	M12	M16	D9.8	D17/DB17	F1
-	50	60	120	50	60	60
M12	60	110	180	90	90	110
M16	120	180	240	150	170	170
D9.8	50	90	150	80	70	90
D17/DB17	60	90	170	70	80	90
F1	60	110	170	90	90	80

For applications with high loads, we recommend especially stable profiles with 10 mm slots, e.g. for heavy work tables, fixtures, machine frames, transport shuttles, protective enclosures, and handling systems.

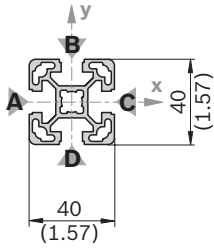
Due to its very sturdy design, this slot allows maximum strength connections.

Profile finishing



40x40L

A = 5,6 cm²
 $I_x = 9,1 \text{ cm}^4$
 $I_y = 9,1 \text{ cm}^4$
 $W_x = 4,5 \text{ cm}^3$
 $W_y = 4,5 \text{ cm}^3$
 m = 1,5 kg/m



19199

Cap	Color	ESD	No.
40x40 (1x)	Signal gray	100	3 842 548 746
40x40 (1x)	Black	20	3 842 548 747

Material: PP

Cap with hole	Color	ESD	No.
40x40 (1x)	Signal gray	20	3 842 548 782
40x40 (1x)	Black	20	3 842 548 783

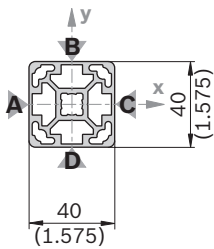
Material: PP

40x40L

	L (mm)	No.
1 pc	50 ... 6000	3 842 993 120 / L
1 pc M12	60 ... 6000	3 842 993 121 / L
1 pc M12 M12	110 ... 6000	3 842 993 122 / L
1 pc M12 D17	90 ... 6000	3 842 993 123 / L
1 pc D17	50 ... 6000	3 842 993 124 / L
1 pc D17 D17	80 ... 6000	3 842 993 125 / L
1 pc D17 D17V	80 ... 6000	3 842 993 126 / L
1 pc D9,8 D9,8	80 ... 6000	3 842 993 129 / L
20 pcs	6070	3 842 529 339
1 pc	6070	3 842 529 340

40x40L ON

A = 6,3 cm²
 $I_x = 10,4 \text{ cm}^4$
 $I_y = 10,4 \text{ cm}^4$
 $W_x = 5,2 \text{ cm}^3$
 $W_y = 5,2 \text{ cm}^3$
 m = 1,7 kg/m



19200

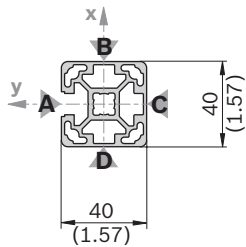
40x40L ON

	L (mm)	No.
20 pcs	6070	3 842 540 954

Cap: See 40x40

40x40L 1N

A = 6,1 cm²
 $I_x = 9,1 \text{ cm}^4$
 $I_y = 9,1 \text{ cm}^4$
 $W_x = 4,5 \text{ cm}^3$
 $W_y = 4,5 \text{ cm}^3$
 m = 1,7 kg/m



19201

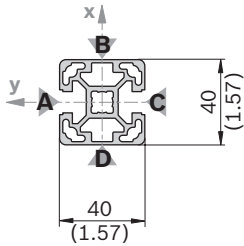
40x40L 1N

	L (mm)	No.
1 pc	50 ... 6000	3 842 993 185 / L
1 pc M12 M12	110 ... 6000	3 842 993 186 / L
20 pcs	6070	3 842 529 361
1 pc	6070	3 842 529 362

Cap: See 40x40

40x40L 2N

A = 6,0 cm²
 I_x = 9,0 cm⁴
 I_y = 10,3 cm⁴
 W_x = 4,5 cm³
 W_y = 5,2 cm³
 m = 1,6 kg/m



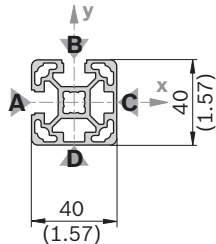
19202

40x40L 2N		L (mm)	No.
1 pc		50 ... 6000	3 842 993 187 / L
1 pc	M12 M12	110 ... 6000	3 842 993 188 / L
20 pcs		6070	3 842 529 363
1 pc		6070	3 842 529 364

Cap: See 40x40

40x40L 2NVS

A = 6,0 cm²
 I_x = 9,7 cm⁴
 I_y = 9,7 cm⁴
 W_x = 4,9 cm³
 W_y = 4,9 cm³
 m = 1,6 kg/m



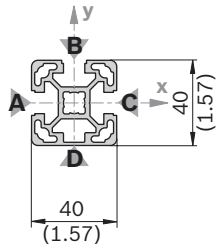
19203

40x40L 2NVS		L (mm)	No.
1 pc		50 ... 6000	3 842 993 189 / L
1 pc	M12 M12	110 ... 6000	3 842 993 190 / L
20 pcs		6070	3 842 529 365
1 pc		6070	3 842 529 366

Cap: See 40x40

40x40L 3N

A = 5,8 cm²
 I_x = 9,7 cm⁴
 I_y = 9,0 cm⁴
 W_x = 4,8 cm³
 W_y = 4,5 cm³
 m = 1,6 kg/m



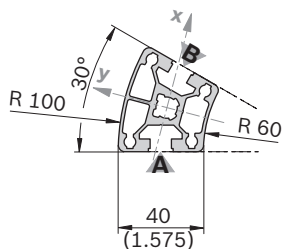
19204

40x40L 3N		L (mm)	No.
1 pc		50 ... 6000	3 842 993 191 / L
1 pc	M12 M12	110 ... 6000	3 842 993 192 / L
20 pcs		6070	3 842 529 367
1 pc		6070	3 842 529 368

Cap: See 40x40

40x30°

A = 6,2 cm²
 $I_x = 9,4 \text{ cm}^4$
 $I_y = 11,8 \text{ cm}^4$
 $W_x = 4,7 \text{ cm}^3$
 $W_y = 5,9 \text{ cm}^3$
 m = 1,7 kg/m



19205

40x30°

L (mm) No.

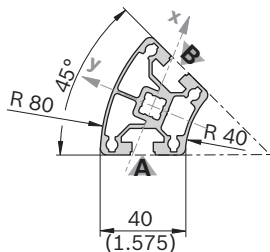
1 pc		50 ... 6000	3 842 993 195 / L
12 pcs		6070	3 842 529 371

Cap	Color	ESD		No.
40x30° (1x)	Black		20	3 842 529 049

Material: PA

40x45°

A = 6,8 cm²
 $I_x = 9,9 \text{ cm}^4$
 $I_y = 16,6 \text{ cm}^4$
 $W_x = 5,0 \text{ cm}^3$
 $W_y = 8,3 \text{ cm}^3$
 m = 1,8 kg/m



19206

40x45°

L (mm) No.

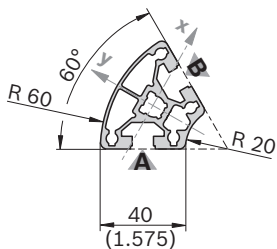
1 pc		50 ... 6000	3 842 993 197 / L
12 pcs		6070	3 842 529 373

Cap	Color	ESD		No.
45x45° (1x)	Black		20	3 842 529 050

Material: PA

40x60°

A = 6,3 cm²
 $I_x = 8,7 \text{ cm}^4$
 $I_y = 13,1 \text{ cm}^4$
 $W_x = 4,3 \text{ cm}^3$
 $W_y = 6,5 \text{ cm}^3$
 m = 1,7 kg/m



19207

40x60°

L (mm) No.

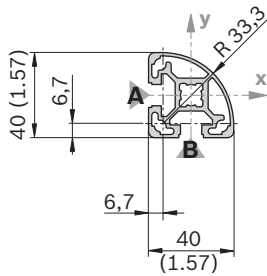
1 pc		50 ... 6000	3 842 993 198 / L
12 pcs		6070	3 842 529 375

Cap	Color	ESD		No.
40x60° (1x)	Black		20	3 842 529 051

Material: PA

40x40L R

A = 5,0 cm²
 I_x = 7,2 cm⁴
 I_y = 7,2 cm⁴
 W_x = 3,6 cm³
 W_y = 3,6 cm³
 m = 1,3 kg/m



19208

40x40L R		L (mm)	No.
1 pc		50 ... 6000	3 842 993 184 / L
20 pcs		6070	3 842 529 359
1 pc		6070	3 842 529 360

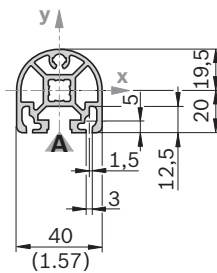
2

Cap	Color	ESD		No.
40x40 R (1x)	Signal gray			20 3 842 548 784
40x40 R (1x)	Black			20 3 842 548 785

Material: PP

40x40 HR

A = 5,5 cm²
 I_x = 8,1 cm⁴
 I_y = 7,6 cm⁴
 W_x = 4,0 cm³
 W_y = 3,6 cm³
 m = 1,5 kg/m



19209

40x40 HR		L (mm)	No.
1 pc		50 ... 6000	3 842 993 256 / L
1 pc M12		110 ... 6000	3 842 993 257 / L
20 pcs		6070	3 842 529 381
1 pc		6070	3 842 529 382

Cap	Color	ESD		No.
40x40 HR (1x)	Signal gray			20 3 842 548 786
40x40 HR (1x)	Black			20 3 842 548 787

Material: PP

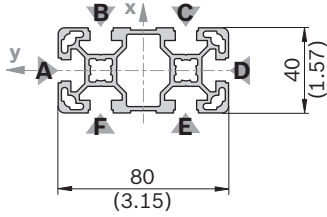
Cap with hole ¹⁾	Color	ESD		No.
40x40 HR (1x)	Signal gray			20 3 842 548 786
40x40 HR (1x)	Black			20 3 842 548 787

Material: PP

¹⁾ The cover cap is also suitable for use with a hole, which can be broken out

40x80L

A = 9,9 cm²
 I_x = 63,4 cm⁴
 I_y = 17,3 cm⁴
 W_x = 15,9 cm³
 W_y = 8,7 cm³
 m = 2,7 kg/m



19210

Cover cap	Color	ESD	No.
40x80 (1x)	Signal gray	20	3 842 548 748
40x80 (1x)	Black	20	3 842 548 749

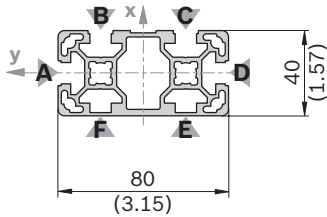
Material: PP

Cap with hole	Color	ESD	No.
40x80 (1x)	Signal gray	20	3 842 548 788
40x80 (1x)	Black	20	3 842 548 789

Material: PP

40x80L 4N

A = 10,4 cm²
 I_x = 65,2 cm⁴
 I_y = 19,1 cm⁴
 W_x = 16,3 cm³
 W_y = 9,9 cm³
 m = 2,8 kg/m



19211

Cap: See 40x80

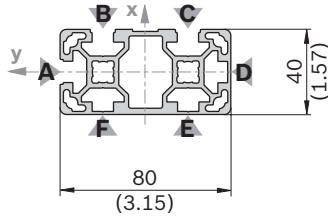
40x80L	L (mm)	No.
1 pc	50 ... 6000	3 842 993 130 / L
1 pc M12	60 ... 6000	3 842 993 131 / L
1 pc M12 M12	110... 6000	3 842 993 132 / L
1 pc D17 D17	80 ... 6000	3 842 993 135 / L
1 pc D17 D17V	80 ... 6000	3 842 993 136 / L
1 pc D17V	60 ... 6000	3 842 993 137 / L
1 pc D17V D17V	80 ... 6000	3 842 993 138 / L
12 pcs	6070	3 842 529 341
1 pc	6070	3 842 529 342

Profile finishing: M12: In all central holes
 D17: in slots B/F, C/E
 D17V: in slots A/D

40x80L 4N	L (mm)	No.
1 pc	50 ... 6000	3 842 993 424 / L
12 pcs	6070	3 842 536 484
1 pc	6070	3 842 536 485

40x80L 3NVS

A = 10,6 cm²
 I_x = 67,8 cm⁴
 I_y = 19,0 cm⁴
 W_x = 17,0 cm³
 W_y = 9,5 cm³
 m = 2,9 kg/m



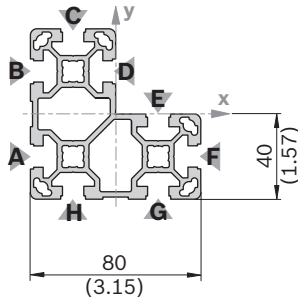
19212

40x80L 3NVS		L (mm)	No.
1 pc		50 ... 6000	3 842 993 654 / L
12 pcs		6070	3 842 538 330
1 pc		6070	3 842 538 329

Cap: see 40x80

40x80x80L

A = 15,4 cm²
 I_x = 96,6 cm⁴
 I_y = 96,6 cm⁴
 W_x = 24,2 cm³
 W_y = 24,2 cm³
 m = 4,2 kg/m



19213

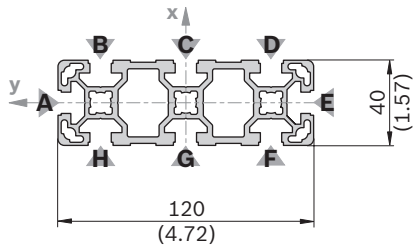
40x80x80L		L (mm)	No.
1 pc		50 ... 6000	3 842 993 193 / L
8 pcs		6070	3 842 537 827
1 pc		6070	3 842 529 370

Cap	Color	ESD	No.
40x80x80 (1x)	Signal gray	20	3 842 548 790
40x80x80 (1x)	Black	20	3 842 849 791

Material: PP

40x120L

A = 15,5 cm²
 I_x = 203,2 cm⁴
 I_y = 27,8 cm⁴
 W_x = 33,9 cm³
 W_y = 13,9 cm³
 m = 4,2 kg/m



19214

40x120L		L (mm)	No.
1 pc		50 ... 6000	3 842 993 139 / L
1 pc	M12	60 ... 6000	3 842 993 140 / L
1 pc	M12 M12	110 ... 6000	3 842 993 141 / L
1 pc	D17 D17	80 ... 6000	3 842 993 142 / L
1 pc	D17V D17V	90 ... 6000	3 842 993 225 / L
8 pcs		6070	3 842 537 824
1 pc		6070	3 842 529 344

Profile finishing:
 M12: in all central holes
 D17: in slots B/H, C/G, D/F
 D17V: in slots A/E

Cap	Color	ESD	No.
40x40 (1x)	Signal gray	100	3 842 548 746
40x80 (1x)	Signal gray	20	3 842 548 748
40x40 (1x)	Black	20	3 842 548 747
40x80 (1x)	Black	20	3 842 548 749

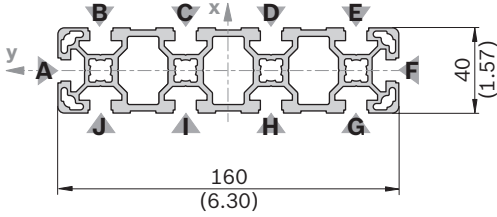
Material: PP

Notice:

For the 40x120L profile you require the following combination of cover caps: 1x 40x40 and 1x 40x80

40x160L

A = 20,5 cm²
 I_x = 466,7 cm⁴
 I_y = 37,2 cm⁴
 W_x = 58,3 cm³
 W_y = 18,6 cm³
 m = 5,5 kg/m



19215

40x160L	L (mm)	No.
1 pc	50 ... 6000	3 842 993 143 / L
1 pc M12	60 ... 6000	3 842 993 144 / L
1 pc M12	110 ... 6000	3 842 993 145 / L
1 pc D17	80 ... 6000	3 842 993 146 / L
6 pcs	6070	3 842 529 345
1 pc	6070	3 842 529 346

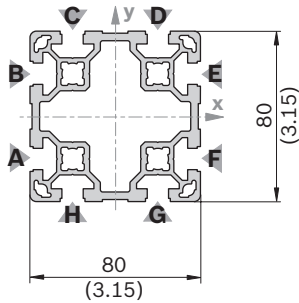
Profile finishing: M12: in all central holes
 D17: in slots B/J, C/I, D/H, E/G

Cap	Color	ESD	No.
40x80 (2x)	Signal gray		20 3 842 548 748
40x80 (2x)	Black		20 3 842 548 749

Material: PP

80x80L

A = 18,2 cm²
 I_x = 132,1 cm⁴
 I_y = 132,1 cm⁴
 W_x = 33,0 cm³
 W_y = 33,0 cm³
 m = 4,9 kg/m



19216

80x80L	L (mm)	No.
1 pc	50 ... 6000	3 842 993 133 / L
1 pc M12	60 ... 6000	3 842 993 134 / L
1 pc M12	110 ... 6000	3 842 993 147 / L
1 pc M12	90 ... 6000	3 842 993 148 / L
1 pc D17	60 ... 6000	3 842 993 149 / L
1 pc D17	80 ... 6000	3 842 993 150 / L
1 pc D17	80 ... 6000	3 842 993 151 / L
6 pcs	6070	3 842 529 347
1 pc	6070	3 842 529 348

Profile finishing: M12: in all central holes
 D17: in slots A/F, B/E
 D17V: in slots C/H, D/G

Cap	Color	ESD	No.
80x80 (1x)	Signal gray		20 3 842 548 750
80x80 (1x)	Black		20 3 842 548 751

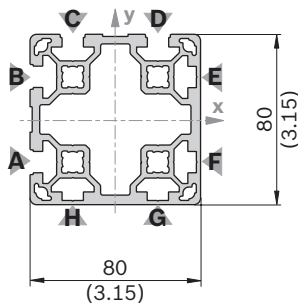
Material: PP

80x80L 4NVS

A = 19,3 cm²
 I_x = 142,5 cm⁴
 I_y = 142,5 cm⁴
 W_x = 35,6 cm³
 W_y = 35,6 cm³
 m = 5,2 kg/m



19416



80x80L 4NVS		L (mm)	No.
1 pc		50 ... 6000	3 842 993 658 / L
6 pcs		6070	3 842 538 334
1 pc		6070	3 842 538 333

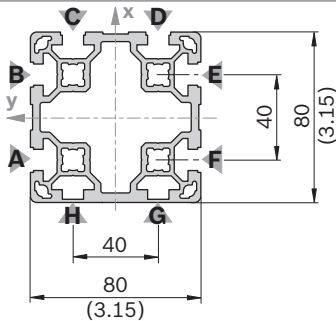
Cap: See 80x80

80x80L 6N

A = 18,8 cm²
 I_x = 134,1 cm⁴
 I_y = 140,9 cm⁴
 W_x = 33,5 cm³
 W_y = 36,2 cm³
 m = 5,1 kg/m



19417



80x80L 6N		L (mm)	No.
1 pc		50 ... 6000	3 842 993 423 / L
6 pcs		6070	3 842 536 481
1 pc		6070	3 842 536 482

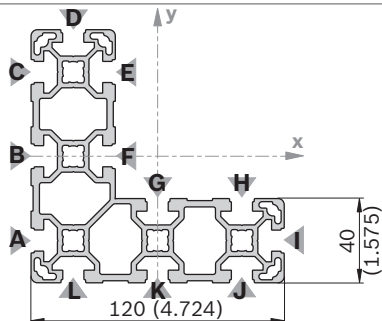
Cap: see 80x80

40x120x120L

A = 24,6 cm²
 I_x = 318,0 cm⁴
 I_y = 318,0 cm⁴
 W_x = 42,2 cm³
 W_y = 42,2 cm³
 m = 6,7 kg/m



19418



40x120x120L		L (mm)	No.
1 pc		50 ... 6000	3 842 993 653 / L
4 pcs		6070	3 842 538 287

Cap	Color	ESD	No.	
40x40 (5x)	Signal gray	100	3 842 548 746	
40x80 (2x)	Signal gray	20	3 842 548 748	
40x40 (1x)	Signal gray	100	3 842 548 746	
40x40 (5x)	Black		3 842 548 747	
40x80 (2x)	Black		3 842 548 749	
40x40 (1x)	Black		3 842 548 747	

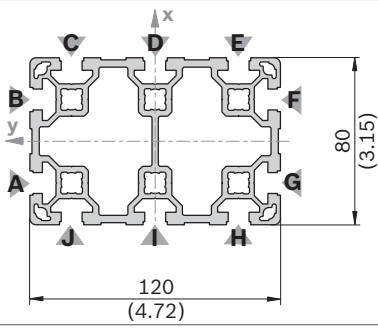
Material: PP

Notice:

for the 40x120x120L profile you require the following combination of caps: 5x 40x40 or 2x 40x80 and 1x 40x40

80x120L

A = 25,6 cm²
 I_x = 389,2 cm⁴
 I_y = 192,8 cm⁴
 W_x = 64,9 cm³
 W_y = 48,2 cm³
 m = 6,9 kg/m



Cap	Color	ESD	No.
80x120 (1x)	Signal gray		20 3 842 548 792
80x120 (1x)	Black		20 3 842 548 793

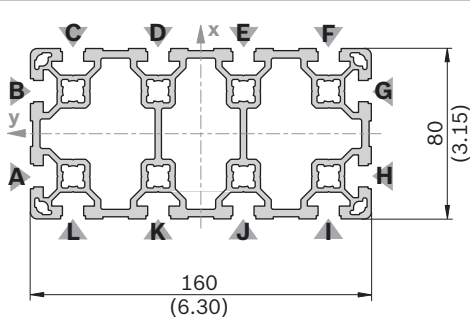
Material: PP

80x120L	L (mm)	No.
1 pc	50 ... 6000	3 842 993 201 / L
1 pc M12	60 ... 6000	3 842 993 202 / L
1 pc M12	110 ... 6000	3 842 993 203 / L
1 pc D17	80 ... 6000	3 842 993 204 / L
1 pc D17V	90 ... 6000	3 842 993 229 / L
4 pcs	6070	3 842 537 828
1 pc	6070	3 842 529 380

Profile finishing: M12: in all core holes
 D17: in slots C/J, D/I, E/H
 D17V: in slots A/G, B/F

80x160L

A = 32,9 cm²
 I_x = 850,7 cm⁴
 I_y = 253,4 cm⁴
 W_x = 106,3 cm³
 W_y = 63,4 cm³
 m = 8,9 kg/m



Cap	Color	ESD	No.
80x80 (2x)	Signal gray		20 3 842 548 750
80x80 (2x)	Black		20 3 842 548 751

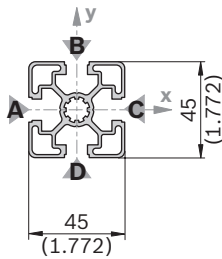
Material: PP

80x160L	L (mm)	No.
1 pc	50 ... 6000	3 842 993 127 / L
1 pc M12	60 ... 6000	3 842 993 128 / L
1 pc M12	110 ... 6000	3 842 993 152 / L
1 pc M12	90 ... 6000	3 842 993 153 / L
1 pc D17	60 ... 6000	3 842 993 154 / L
1 pc D17	80 ... 6000	3 842 993 155 / L
1 pc D17V	90 ... 6000	3 842 993 226 / L
3 pcs	6070	3 842 529 349
1 pc	6070	3 842 529 350

Profile finishing: M12: in all core holes
 D17: in slots C/L, D/K, E/J, F/I
 D17V: in slots A/H, B/G

45x45L

A = 6,0 cm²
 I_x = 11,7 cm⁴
 I_y = 11,7 cm⁴
 W_x = 5,2 cm³
 W_y = 5,2 cm³
 m = 1,6 kg/m



19421

Cap	Color	ESD	No.
45x45 (1x)	Signal gray		100 3 842 548 752
45x45 (1x)	Black		20 3 842 548 753

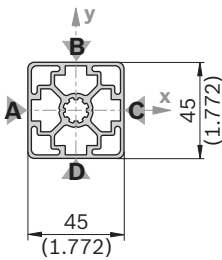
Material: PP

Cap with hole	Color	ESD	No.
45x45 (1x)	Signal gray		20 3 842 548 796
45x45 (1x)	Black		20 3 842 548 797

Material: PP

45x45L ON

A = 6,7 cm²
 I_x = 13,5 cm⁴
 I_y = 13,5 cm⁴
 W_x = 6,0 cm³
 W_y = 6,0 cm³
 m = 1,8 kg/m



19422

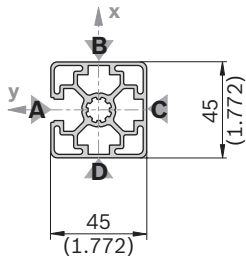
Cap: see 45x45

45x45L	L (mm)	No.
1 pc	50 ... 5600	3 842 992 425 / L
1 pc M12	60 ... 5600	3 842 992 426 / L
1 pc M12 M12	110 ... 5600	3 842 992 427 / L
1 pc M12 D17	90 ... 5600	3 842 992 960 / L
1 pc D9,8 D9,8	80 ... 5600	3 842 992 967 / L
1 pc D17	60 ... 5600	3 842 992 953 / L
1 pc D17 D17	80 ... 5600	3 842 992 954 / L
1 pc D17 D17V	80 ... 5600	3 842 992 956 / L
1 pc	6000	8 981 004 773
20 pcs	6000	8 981 004 744

45x45L ON	L (mm)	No.
20 pcs	6070	3 842 540 955

45x45L 1N

A = 6,5 cm²
 $I_x = 12,6 \text{ cm}^4$
 $I_y = 13,5 \text{ cm}^4$
 $W_x = 5,5 \text{ cm}^3$
 $W_y = 6,0 \text{ cm}^3$
 m = 1,8 kg/m



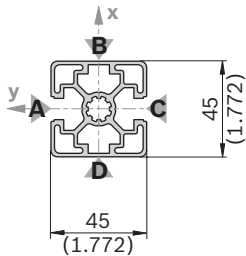
19423

45x45L 1N		L (mm)	No.
1 pc		50 ... 5600	3 842 992 401 / L
20 pcs		5600	3 842 506 956
1 pc		5600	3 842 506 960

Cap: see 45x45

45x45L 2N

A = 6,4 cm²
 $I_x = 11,6 \text{ cm}^4$
 $I_y = 13,5 \text{ cm}^4$
 $W_x = 5,2 \text{ cm}^3$
 $W_y = 6,0 \text{ cm}^3$
 m = 1,7 kg/m



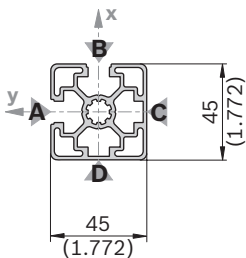
19424

45x45L 2N		L (mm)	No.
1 pc		50 ... 5600	3 842 992 403 / L
20 pcs		5600	3 842 506 958
1 pc		5600	3 842 506 962

Cap: see 45x45

45x45L 2NVS

A = 6,4 cm²
 $I_x = 12,6 \text{ cm}^4$
 $I_y = 12,6 \text{ cm}^4$
 $W_x = 5,6 \text{ cm}^3$
 $W_y = 5,6 \text{ cm}^3$
 m = 1,7 kg/m



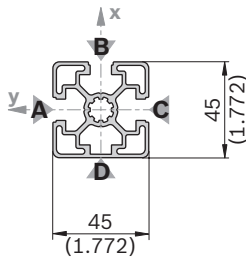
19425

45x45L 2NVS		L (mm)	No.
1 pc		50 ... 5600	3 842 992 402 / L
20 pcs		5600	3 842 506 957
1 pc		5600	3 842 506 961

Cap: see 45x45

45x45L 3N

A = 6,2 cm²
 I_x = 12,6 cm⁴
 I_y = 11,7 cm⁴
 W_x = 5,4 cm³
 W_y = 5,2 cm³
 m = 1,7 kg/m



19426

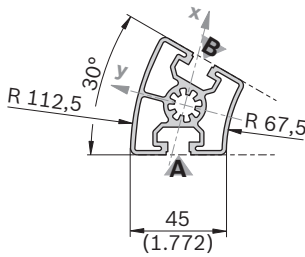
45x45L 3N		L (mm)	No.
1 pc		50 ... 5600	3 842 992 404 / L
20 pcs		5600	3 842 506 959
1 pc		5600	3 842 506 963

2

Cap: see 45x45

45x30°

A = 6,9 cm²
 I_x = 12,7 cm⁴
 I_y = 15,2 cm⁴
 W_x = 5,0 cm³
 W_y = 5,3 cm³
 m = 1,9 kg/m



19427

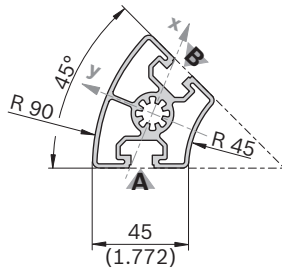
45x30°		L (mm)	No.
1 pc		50 ... 5600	3 842 993 013 / L
20 pcs		5600	3 842 524 040
1 pc		5600	3 842 524 039

Cap	Color	ESD		No.
45x30° (1x)	Black		20	3 842 524 053

Material: PA

45x45°

A = 7,6 cm²
 I_x = 13,4 cm⁴
 I_y = 21,4 cm⁴
 W_x = 5,2 cm³
 W_y = 6,4 cm³
 m = 2,0 kg/m



19428

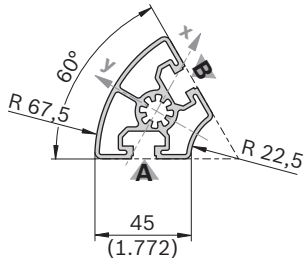
45x45°		L (mm)	No.
1 pc		50 ... 5600	3 842 993 014 / L
20 pcs		5600	3 842 524 043
1 pc		5600	3 842 524 042

Cap	Color	ESD		No.
45x45° (1x)	Black		20	3 842 524 054

Material: PA

45x60°

A = 6,8 cm²
 I_x = 11,4 cm⁴
 I_y = 16,9 cm⁴
 W_x = 4,4 cm³
 W_y = 5,2 cm³
 m = 1,8 kg/m



45x60°

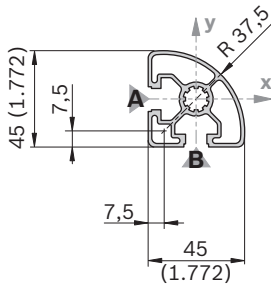
		L (mm)	No.
1 pc		50 ... 5600	3 842 993 015 / L
20 pcs		5600	3 842 524 046
1 pc		5600	3 842 524 045

Cap	Color	ESD	No.
45x60° (1x)	Black		20 3 842 524 055

Material: PA

45x45L R

A = 4,9 cm²
 I_x = 8,6 cm⁴
 I_y = 8,6 cm⁴
 W_x = 5,0 cm³
 W_y = 5,0 cm³
 m = 1,3 kg/m



45x45L R

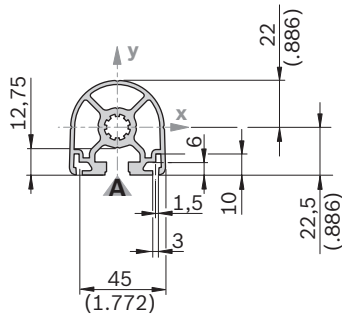
		L (mm)	No.
1 pc		50 ... 5600	3 842 992 897 / L
20 pcs		5600	3 842 517 200
1 pc		5600	3 842 517 199

Cap	Color	ESD	No.
45x45 R (1x)	Signal gray		20 3 842 548 800
45x45 R (1x)	Black		20 3 842 548 801

Material: PP

45x45 HR

A = 6,6 cm²
 I_x = 11,0 cm⁴
 I_y = 10,7 cm⁴
 W_x = 4,4 cm³
 W_y = 4,8 cm³
 m = 1,8 kg/m



45x45 HR

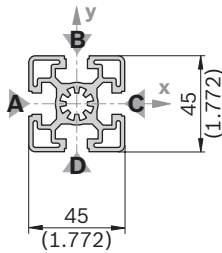
		L (mm)	No.
1 pc		50 ... 5600	3 842 992 945 / L
1 pc		60 ... 5600	3 842 993 001 / L
1 pc		110 ... 5600	3 842 992 999 / L
20 pcs		5600	3 842 525 505
1 pc		5600	3 842 525 504

Cap	Color	ESD	No.
45x45 HR (1x)	Signal gray		20 3 842 548 798
45x45 HR (1x)	Black		20 3 842 548 799

Material: PP

45x45

A = 7,5 cm²
 I_x = 13,8 cm⁴
 I_y = 13,8 cm⁴
 W_x = 6,1 cm³
 W_y = 6,1 cm³
 m = 2,0 kg/m



19432

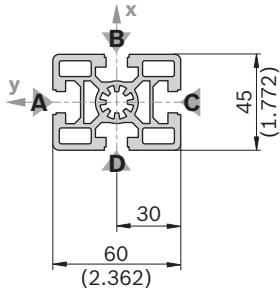
Cap	Color	ESD	No.
45x45 (1x)	Signal gray	100	3 842 548 752
45x45 (1x)	Black	20	3 842 548 753
Material:	PP		

Cap with hole	Color	ESD	No.
45x45 (1x)	Signal gray	20	3 842 548 796
45x45 (1x)	Black	20	3 842 548 797
Material:	PP		

45x45	L (mm)	No.
1 pc	50 ... 5600	3 842 990 520 / L
1 pc M12	60 ... 5600	3 842 990 517 / L
1 pc M12 M12	110 ... 5600	3 842 990 518 / L
1 pc M12 M16	180 ... 5600	3 842 990 519 / L
1 pc M12 D17	90 ... 5600	3 842 990 640 / L
1 pc M16	120 ... 5600	3 842 990 521 / L
1 pc M16 D17	170 ... 5600	3 842 990 642 / L
1 pc D9,8 D9,8	70 ... 5600	3 842 992 969 / L
1 pc D17	60 ... 5600	3 842 990 648 / L
1 pc D17 D17	80 ... 5600	3 842 990 644 / L
1 pc D17 D17V	80 ... 5600	3 842 990 646 / L
1 pc	6000	3 842 507 125
20 pcs	6000	3 842 315 100

45x60

A = 11,0 cm²
 I_x = 37,2 cm⁴
 I_y = 22,7 cm⁴
 W_x = 12,4 cm³
 W_y = 10,1 cm³
 m = 3,0 kg/m



Cap	Color	ESD	No.
45x60 (1x)	Signal gray	20	3 842 548 754
45x60 (1x)	Black	20	3 842 548 755

Material: PP

Cap with hole	Color	ESD	No.
45x60 (1x)	Signal gray	20	3 842 548 802
45x60 (1x)	Black	20	3 842 548 803

Material: PP

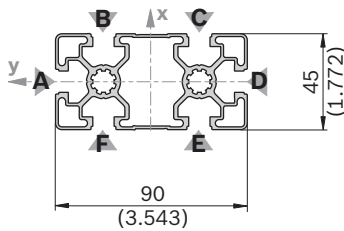
45x60

	L (mm)	No.
1 pc	50 ... 5600	3 842 990 570 / L
1 pc M12	60 ... 5600	3 842 990 571 / L
1 pc M12-M12	110 ... 5600	3 842 990 572 / L
1 pc M12-M16	180 ... 5600	3 842 990 575 / L
1 pc M16	120 ... 5600	3 842 990 573 / L
1 pc D9,8	50 ... 5600	3 842 992 376 / L
1 pc D17	60 ... 5600	3 842 990 688 / L
1 pc D17-D17	80 ... 5600	3 842 990 672 / L
1 pc D17-D17V	80 ... 5600	3 842 990 674 / L
1 pc D9,8V	50 ... 5600	3 842 992 375 / L
1 pc D17V	60 ... 5600	3 842 990 690 / L
1 pc D17V-D17V	90 ... 5600	3 842 990 670 / L
1 pc LF-LF	80 ... 5600	3 842 993 085 / L
1 pc F1-F1	80 ... 5600	3 842 990 584 / L
1 pc	6000	3 842 507 127
20 pcs	6000	3 842 315 122

Profile finishing
 D9.8, D17: in slots B/D
 D9.8, D17: in slots A/C
 LF: in slots A/C
 F1: in slot A

45x90SL

A = 9,0 cm²
 I_x = 73,4 cm⁴
 I_y = 18,1 cm⁴
 W_x = 16,3 cm³
 W_y = 8,0 cm³
 m = 2,4 kg/m



19434

Cap	Color	ESD	No.
45x90 (1x)	Signal gray		20 3 842 548 756
45x90 (1x)	Black		20 3 842 548 757

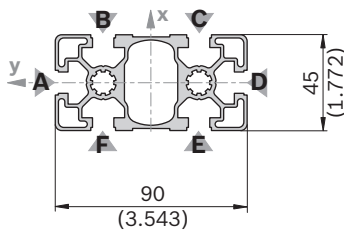
Material: PP

Cap with hole	Color	ESD	No.
45x90 (1x)	Signal gray		20 3 842 548 804
45x90 (1x)	Black		20 3 842 548 805

Material: PP

45x90L

A = 11,3 cm²
 I_x = 82,0 cm⁴
 I_y = 23,6 cm⁴
 W_x = 18,2 cm³
 W_y = 10,5 cm³
 m = 3,0 kg/m



19435

Cap	Color	ESD	No.
45x90 (1x)	Signal gray		20 3 842 548 756
45x90 (1x)	Black		20 3 842 548 757

Material: PP

Cap with hole	Color	ESD	No.
45x90 (1x)	Signal gray		20 3 842 548 804
45x90 (1x)	Black		20 3 842 548 805

Material: PP

45x90SL	L (mm)	No.
1 pc	50 ... 6000	3 842 993 450 / L
12 pcs	6070	3 842 537 102
1 pc	6070	3 842 537 103

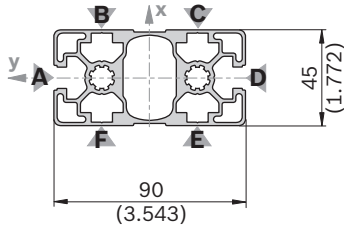
2

45x90L	L (mm)	No.
1 pc	50 ... 5600	3 842 992 432 / L
1 pc M12	60 ... 5600	3 842 992 453 / L
1 pc M12 M12	110 ... 5600	3 842 992 433 / L
1 pc D17 D17	80 ... 5600	3 842 992 437 / L
1 pc D17 D17V	80 ... 5600	3 842 992 436 / L
1 pc D17V	60 ... 5600	3 842 992 452 / L
1 pc D17V D17V	90 ... 5600	3 842 992 435 / L
1 pc LF LF	80 ... 5600	3 842 993 084 / L
12 pcs	5600	3 842 511 782
1 pc	5600	3 842 511 781

Profile finishing: M12: in all core holes
 D17: in slots B/F, C/E
 D17V: in slots A/D
 LF: in slots A/D

45x90L 2N

A = 12,0 cm²
 $I_x = 85,6 \text{ cm}^4$
 $I_y = 26,9 \text{ cm}^4$
 $W_x = 38,1 \text{ cm}^3$
 $W_y = 6,0 \text{ cm}^3$
 m = 3,2 kg/m



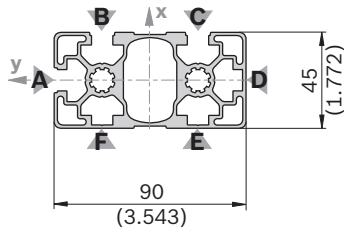
19436

45x90L 2N		L (mm)	No.
1 pc		50 ... 6000	3 842 993 644 / L
	12 pcs	6070	3 842 538 299
1 pc		6070	3 842 538 303

Cap: see 45x90

45x90L 3NVS

A = 11,8 cm²
 $I_x = 87,2 \text{ cm}^4$
 $I_y = 25,2 \text{ cm}^4$
 $W_x = 38,8 \text{ cm}^3$
 $W_y = 5,6 \text{ cm}^3$
 m = 3,2 kg/m



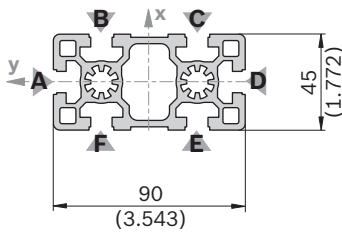
19437

45x90L 3NVS		L (mm)	No.
1 pc		50 ... 6000	3 842 993 635 / L
	12 pcs	6070	3 842 538 298
1 pc		6070	3 842 538 302

Cap: see 45x90

45x90

A = 15,4 cm²
 I_x = 124,6 cm⁴
 I_y = 32,8 cm⁴
 W_x = 27,7 cm³
 W_y = 14,6 cm³
 m = 4,2 kg/m



19438

Cap	Color	ESD	No.
45x90 (1x)	Signal gray	20	3 842 548 756
45x90 (1x)	Black	20	3 842 548 757

Material: PP

Cap with hole	Color	ESD	No.
45x90 (1x)	Signal gray	20	3 842 548 804
45x90 (1x)	Black	20	3 842 548 805

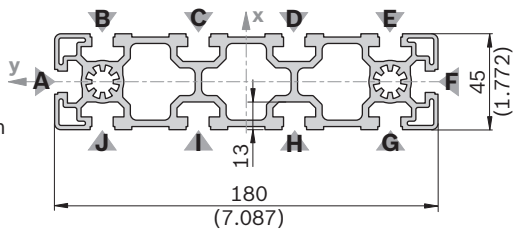
Material: PP

45x90	L (mm)	No.
1 pc	50 ... 5600	3 842 990 300 / L
1 pc M12	60 ... 5600	3 842 990 301 / L
1 pc M12 M12	110 ... 5600	3 842 990 302 / L
1 pc M12 D17	90 ... 5600	3 842 990 323 / L
1 pc M12 D17V	90 ... 5600	3 842 990 305 / L
1 pc M16	120 ... 5600	3 842 990 303 / L
1 pc M16 M16	240 ... 5600	3 842 990 304 / L
1 pc M16 D17	170 ... 5600	3 842 990 325 / L
1 pc M16 D17V	170 ... 5600	3 842 990 307 / L
1 pc D17	60 ... 5600	3 842 990 329 / L
1 pc D17 D17	80 ... 5600	3 842 990 313 / L
1 pc D17 D17V	90 ... 5600	3 842 990 311 / L
1 pc D17V	60 ... 5600	3 842 990 331 / L
1 pc D17V D17V	90 ... 5600	3 842 990 309 / L
1 pc	6000	3 842 507 123
12 pcs	6000	3 842 315 123

Profile finishing: M12, M16: in all core holes
 D17: in slots B/F, C/E
 D17V: in slots A/D

45x180

A = 25,5 cm²
 I_x = 766,7 cm⁴
 I_y = 57,3 cm⁴
 W_x = 85,2 cm³
 W_y = 25,5 cm³
 m = 6,9 kg/m



Cap	Color	ESD	No.
45x180 (1x)	Signal gray	20	3 842 548 794
45x180 (1x)	Black	20	3 842 548 795

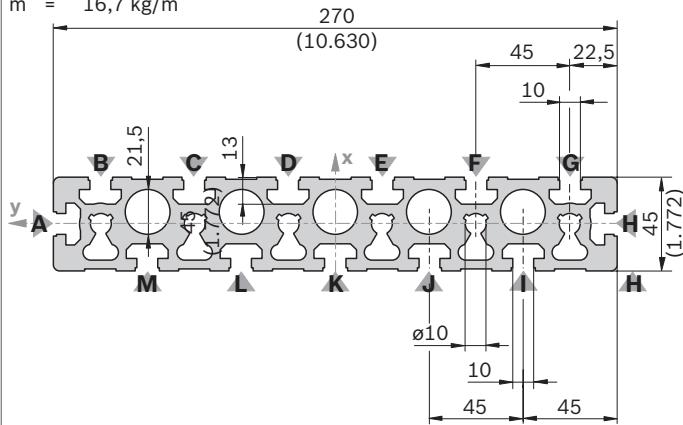
Material: PP

45x180	L (mm)	No.
1 pc	50 ... 5600	3 842 990 335 / L
1 pc M12	60 ... 5600	3 842 990 336 / L
1 pc M12	110 ... 5600	3 842 990 339 / L
1 pc D17	80 ... 5600	3 842 990 342 / L
1 pc D17V	90 ... 5600	3 842 990 344 / L
6 pcs	5600	3 842 509 187
1 pc	5600	3 842 509 201

Profile finishing: M12: in all core holes
 D17: in slots B/J, E/G
 D17V: in slots A/F

45x270

A = 61,9 cm²
 I_x = 3962,0 cm⁴
 I_y = 118,0 cm⁴
 W_x = 300,2 cm³
 W_y = 61,6 cm³
 m = 16,7 kg/m



Cap	Color	ESD	No.
45x90 (3x)	Signal gray	20	3 842 548 756
45x90 (3x)	Black	20	3 842 548 757

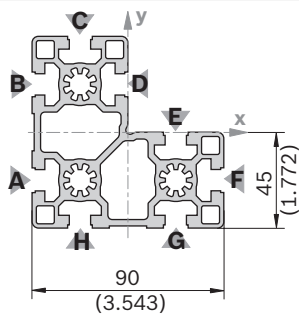
Material: PP

45x270	L (mm)	No.
1 pc	50 ... 5600	3 842 992 927 / L
1 pc M12	110 ... 5600	3 842 992 928 / L
2 pcs	5600	3 842 520 025
1 pc	5600	3 842 520 024

Profile finishing: M12: in core holes with C, F slots

45x90x90L

A = 21,2 cm²
 I_x = 152,1 cm⁴
 I_y = 152,1 cm⁴
 W_x = 19,1 cm³
 W_y = 32,6 cm³
 m = 5,7 kg/m



45x90x90L	L (mm)	No.
1 pc	50 ... 6000	3 842 992 387 / L
1 pc M12	60 ... 6000	3 842 992 388 / L
8 pcs	6070	3 842 537 823
1 pc	6070	3 842 537 846

Profile finishing: M12: in the central bore at the intersection of slots A and H

Cap	Color	ESD	No.
45x90x90 (1x)	Signal gray		3 842 548 806
45x90x90 (1x)	Black		3 842 548 807

Material: PP

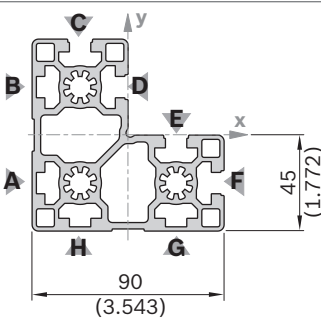
Cap with hole ¹⁾	Color	ESD	No.
45x90x90 (1x)	Signal gray		3 842 548 806
45x90x90 (1x)	Black		3 842 548 807

Material: PP

¹⁾ The cover cap is also suitable for use with a hole, which can be broken out.

45x90x90L 4N

A = 22,1 cm²
 I_x = 160,8 cm⁴
 I_y = 160,8 cm⁴
 W_x = 30,6 cm³
 W_y = 30,6 cm³
 m = 5,95 kg/m

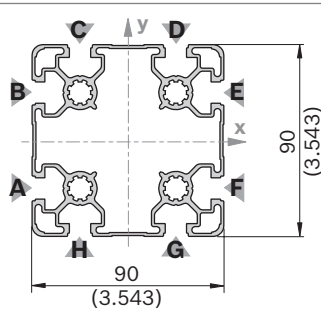


45x90x90L 4N	L (mm)	No.
8 pcs	6070	3 842 547 827

Cap: see 45x90x90L

90x90SL

A = 14,1 cm²
 I_x = 130,2 cm⁴
 I_y = 130,2 cm⁴
 W_x = 28,9 cm³
 W_y = 28,9 cm³
 m = 3,8 kg/m

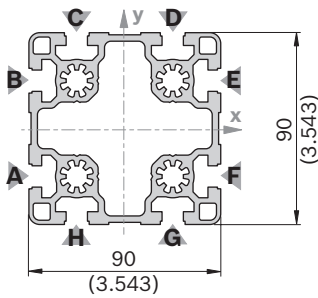


90x90SL	L (mm)	No.
1 pc	50 ... 6000	3 842 993 449 / L
6 pcs	6070	3 842 537 100
1 pc	6070	3 842 537 101

Cap: see 90x90L

90x90L

A = 24,1 cm²
 $I_x = 211,1 \text{ cm}^4$
 $I_y = 211,1 \text{ cm}^4$
 $W_x = 46,9 \text{ cm}^3$
 $W_y = 46,9 \text{ cm}^3$
 m = 6,5 kg/m



Cap	Color	ESD	No.
90x90L (1x)	Signal gray	20	3 842 548 758
90x90L (1x)	Black	20	3 842 548 759

Material: PP

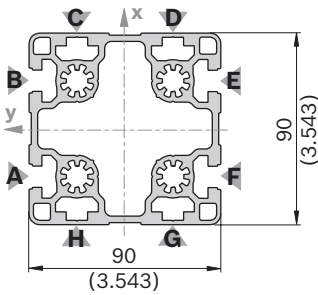
90x90L

	L (mm)	No.
1 pc	50 ... 5600	3 842 992 415 / L
1 pc M12	60 ... 5600	3 842 992 416 / L
1 pc M12 M12	110 ... 5600	3 842 992 422 / L
1 pc M12 D17	90 ... 5600	3 842 992 423 / L
1 pc D17	60 ... 5600	3 842 992 417 / L
1 pc D17 D17	80 ... 5600	3 842 992 420 / L
1 pc D17 D17V	80 ... 5600	3 842 992 421 / L
1 pc LF LF	80 ... 5600	3 842 992 418 / L
1 pc LF M12	90 ... 5600	3 842 992 419 / L
6 pcs	5600	3 842 509 658
1 pc	5600	3 842 509 659

Profile finishing:
 M12: in all central holes
 D17: in slots C/H, D/G
 D17V: in slots A/F, B/E
 LF: in slots C/H, D/G

90x90L 4N

A = 24,2 cm²
 $I_x = 227,4 \text{ cm}^4$
 $I_y = 214,7 \text{ cm}^4$
 $W_x = 50,5 \text{ cm}^3$
 $W_y = 47,7 \text{ cm}^3$
 m = 6,5 kg/m



90x90L 4N

	L (mm)	No.
1 pc	50 ... 6000	3 842 993 628 / L
6 pcs	6070	3 842 538 297
1 pc	6070	3 842 538 301

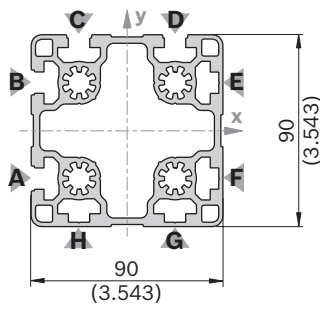
Cap: see 90x90L

90x90L 4NVS

A = 24,2 cm²
 I_x = 220,9 cm⁴
 I_y = 220,9 cm⁴
 W_x = 49,2 cm³
 W_y = 49,2 cm³
 m = 6,5 kg/m



19445



90x90L 4NVS		L (mm)	No.
1 pc		50 ... 6000	3 842 993 621 / L
6 pcs		6070	3 842 538 296
1 pc		6070	3 842 538 300

2

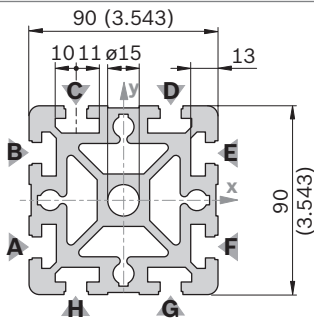
Cap: see 90x90L

90x90

A = 38,4 cm²
 I_x = 299,8 cm⁴
 I_y = 299,8 cm⁴
 W_x = 66,7 cm³
 W_y = 66,7 cm³
 m = 10,4 kg/m



19446



90x90		L (mm)	No.
1 pc		50 ... 5600	3 842 990 500 / L
1 pc	M16	120 ... 5600	3 842 990 501 / L
1 pc	M16 M16	240 ... 5600	3 842 990 502 / L
1 pc	M16 D17	170 ... 5600	3 842 992 961 / L
1 pc	M16/D22	60 ... 5600	3 842 992 373 / L
1 pc	M16/D22 M16/D22	120 ... 5600	3 842 993 083 / L
1 pc	D17	60 ... 5600	3 842 990 092 / L
1 pc	D17 D17	80 ... 5600	3 842 990 093 / L
1 pc	D17 D17V	80 ... 5600	3 842 990 094 / L
1 pc	LF LF	80 ... 5600	3 842 993 082 / L
1 pc	F2	60 ... 5600	3 842 990 505 / L
1 pc	F2 F2	110 ... 5600	3 842 990 507 / L
1 pc		6000	3 842 507 715
6 pcs		6000	3 842 315 125

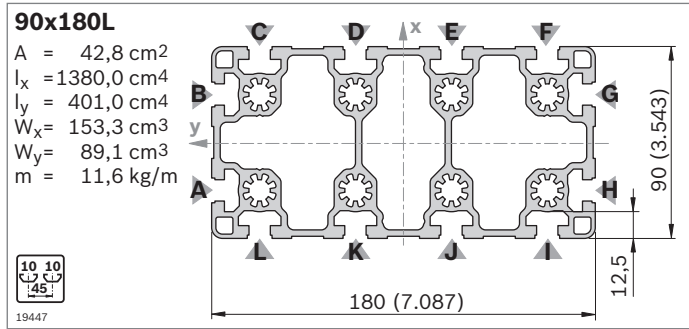
Cap	Color	ESD	No.
90x90 (1x)	Signal gray		20 3 842 548 760
90x90 (1x)	Black		20 3 842 548 761

Material: PP

Cap with hole	Color	ESD	No.
90x90 (1x)	Signal gray		20 3 842 548 814
90x90 (1x)	Black		20 3 842 548 815

Material: PP

Note: A quick connector cannot be used

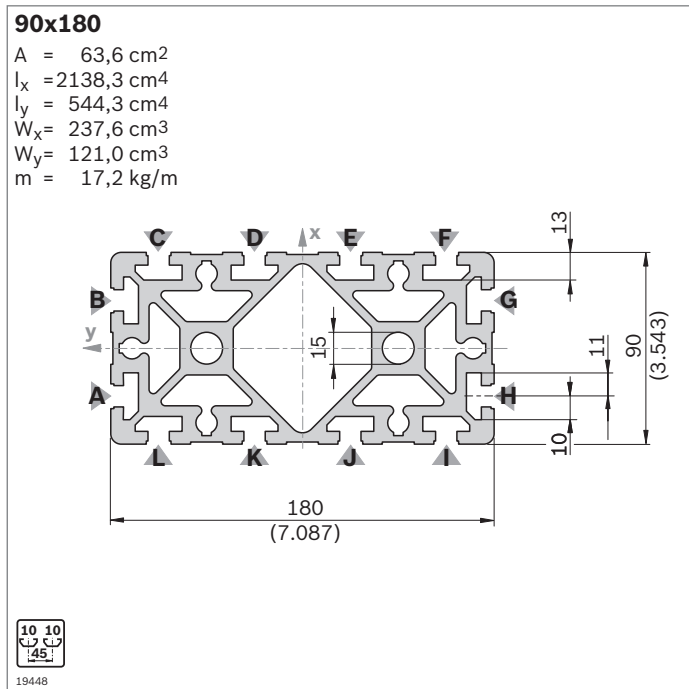


Cap	Color	ESD	No.
90x90L (2x)	Signal gray	20	3 842 548 758
90x90L (2x)	Black	20	3 842 548 759

Material: PP

90x180L	L (mm)	No.
1 pc	50 ... 5600	3 842 992 857 / L
1 pc M12	60 ... 5600	3 842 992 858 / L
1 pc M12 M12	110 ... 5600	3 842 992 859 / L
1 pc M1 LF	90 ... 5600	3 842 992 860 / L
1 pc D17V D17V	90 ... 5600	3 842 992 864 / L
1 pc LF LF	80 ... 5600	3 842 992 861 / L
3 pcs	5600	3 842 516 015
1 pc	5600	3 842 516 014

Profile finishing: M12: in all core holes
 D17V: in slots A/H, B/G
 LF: in slots A/H, B/G



Cap	Color	ESD	No.
90x90 (2x)	Signal gray	20	3 842 548 760
90x90 (2x)	Black	20	3 842 548 761

Material: PP

Cap with hole	Color	ESD	No.
90x90 (2x)	Signal gray	20	3 842 548 814
90x90 (2x)	Black	20	3 842 548 815

Material: PP

90x180	L (mm)	No.
1 pc	50 ... 5600	3 842 990 416 / L
1 pc M16	120 ... 5600	3 842 990 417 / L
1 pc M16 M16	240 ... 5600	3 842 990 418 / L
1 pc M16 F2	170 ... 5600	3 842 990 419 / L
1 pc D17V D17V	90 ... 5600	3 842 992 378 / L
1 pc LF LF	80 ... 5600	3 842 992 898 / L
1 pc LF-S LF-S	80 ... 5600	3 842 993 081 / L
1 pc F2 F2	110 ... 5600	3 842 990 421 / L
3 pcs	5600	3 842 509 188
1 pc	5600	3 842 509 203

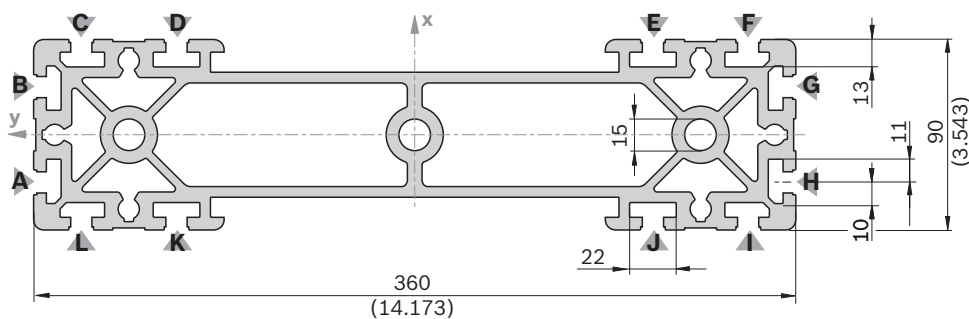
Profile finishing: M16: in all core holes
 D17V: in slots A/H, B/G
 LF: in slots A/H, B/G
 LF-S: in slots D/K, E/J

90x360

A = 90,2 cm²
 I_x = 14065,0 cm⁴
 I_y = 710,0 cm⁴
 W_x = 781,4 cm³
 W_y = 157,7 cm³
 m = 24,4 kg/m



19449



Cap	Color	ESD	No.
90x90 (2x)	Signal gray		20 3 842 548 760
90x90 (2x)	Black		20 3 842 548 761

Material: PP

Cap with hole	Color	ESD	No.
90x90 (2x)	Signal gray		20 3 842 548 814
90x90 (2x)	Black		20 3 842 548 815

Material: PP

Note: A quick connector cannot be used

90x360	L (mm)	No.
	50 ... 6000	3 842 993 434
M16	240 ... 6000	3 842 993 435 / L
F2	110 ... 6000	3 842 993 436 / L

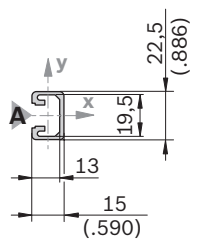
Profile finishing: M16: in all core holes

15x22,5

A = 1,3 cm²
 I_x = 0,8 cm⁴
 I_y = 0,3 cm⁴
 W_x = 0,9 cm³
 W_y = 0,6 cm³
 m = 0,3 kg/m



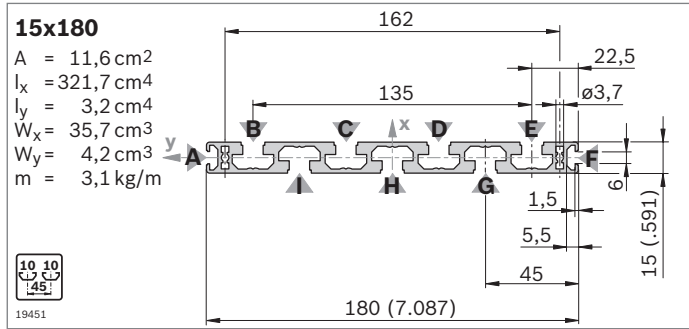
19450



15x22.5	L (mm)	No.
1 pc	50 ... 3000	3 842 992 473 / L
1 pc D17	60 ... 3000	3 842 992 474 / L
1 pc D17	80 ... 3000	3 842 992 475 / L
10 pcs	2000	3 842 513 576
1 pc	2000	3 842 513 577

Cap	Color	ESD	No.
15x22.5 (1x)	Signal gray		20 3 842 548 816
15x22.5 (1x)	Black		20 3 842 548 817

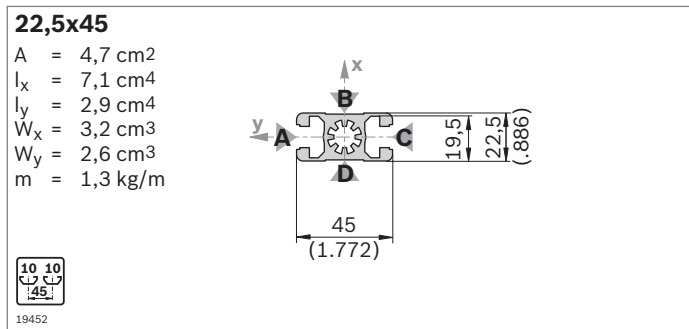
Material: PP



15x180		L (mm)	No.
1 pc		50 ... 5600	3 842 993 079 / L
6 pcs		5600	3 842 526 821
1 pc		5600	3 842 526 820

Cap	Color	ESD	No.
15x180 (1x)	Signal gray		20 3 842 548 772
15x180 (1x)	Black		20 3 842 548 773

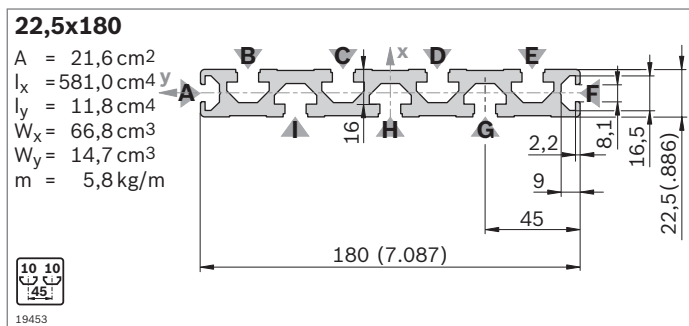
Material: PP



22,5x45		L (mm)	No.
1 pc		50 ... 6000	3 842 990 292 / L
1 pc M12		60 ... 6000	3 842 990 087 / L
1 pc M12		110 ... 6000	3 842 990 090 / L
1 pc D17V		80 ... 6000	3 842 990 091 / L
24 pcs		6070	3 842 537 812
1 pc		6070	3 842 502 695

Cap	Color	ESD	No.
22,5x45 (1x)	Signal gray		20 3 842 548 830
22,5x45 (1x)	Black		20 3 842 548 831

Material: PP



22,5x180		L (mm)	No.
1 pc		50 ... 5600	3 842 990 345 / L
1 pc D28		60 ... 5600	3 842 990 346 / L
1 pc D28		110 ... 5600	3 842 990 347 / L
6 pcs		5600	3 842 509 179
1 pc		5600	3 842 509 206

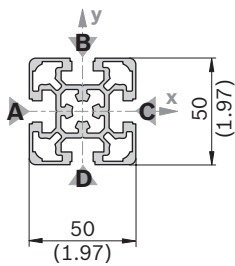
Profile finishing: D28: in slots G, I

Cap	Color	ESD	No.
22,5x180 (1x)	Signal gray		20 3 842 548 770
22,5x180 (1x)	Black		20 3 842 548 771

Material: PP

50x50L

$A = 9,3 \text{ cm}^2$
 $I_x = 21,2 \text{ cm}^4$
 $I_y = 21,2 \text{ cm}^4$
 $W_x = 8,5 \text{ cm}^3$
 $W_y = 8,5 \text{ cm}^3$
 $m = 2,5 \text{ kg/m}$



19454

Cap	Color	ESD	No.
50x50 (1x)	Signal gray		20 3 842 548 820
50x50 (1x)	Black		20 3 842 548 821

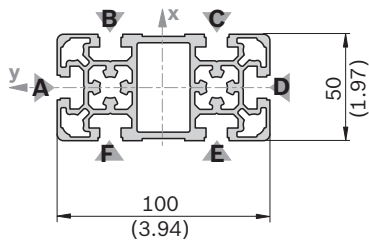
Material: PP

Cap with hole	Color	ESD	No.
50x50 (1x)	Signal gray		20 3 842 548 822
50x50 (1x)	Black		20 3 842 548 823

Material: PP

50x100L

$A = 17,2 \text{ cm}^2$
 $I_x = 162,8 \text{ cm}^4$
 $I_y = 42,6 \text{ cm}^4$
 $W_x = 32,6 \text{ cm}^3$
 $W_y = 17,0 \text{ cm}^3$
 $m = 4,6 \text{ kg/m}$



19455

Cap	Color	ESD	No.
50x50 (2x)	Signal gray		20 3 842 548 820
50x50 (2x)	Black		20 3 842 548 821

Material: PP

Cap with hole	Color	ESD	No.
50x50 (2x)	Signal gray		20 3 842 548 822
50x50 (2x)	Black		20 3 842 548 823

Material: PP

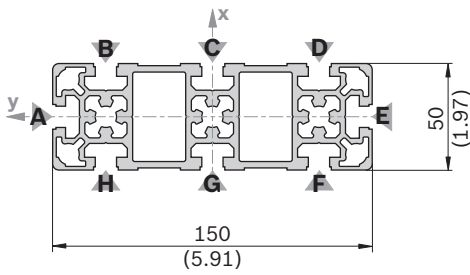
50x50L	L (mm)	No.
1 pc	50 ... 6000	3 842 993 156 / L
1 pc M12	60 ... 6000	3 842 993 157 / L
1 pc M12 M12	110 ... 6000	3 842 993 158 / L
1 pc M12 D17	90 ... 6000	3 842 993 159 / L
1 pc D9,8 D9,8	80 ... 6000	3 842 993 164 / L
1 pc D17	60 ... 6000	3 842 993 160 / L
1 pc D17 D17	80 ... 6000	3 842 993 161 / L
1 pc D17 D17V	80 ... 6000	3 842 993 162 / L
20 pcs	6070	3 842 529 351
1 pc	6070	3 842 529 352

50x100L	L (mm)	No.
1 pc	50 ... 6000	3 842 993 163 / L
1 pc M12	60 ... 6000	3 842 993 165 / L
1 pc M12 M12	110 ... 6000	3 842 993 166 / L
1 pc D17 D17	90 ... 6000	3 842 993 167 / L
1 pc D17 D17V	80 ... 6000	3 842 993 168 / L
1 pc D17V	60 ... 6000	3 842 993 169 / L
1 pc D17V D17V	90 ... 6000	3 842 993 170 / L
10 pcs	6070	3 842 537 825
1 pc	6070	3 842 529 354

Profile finishing: M12: in all core holes
 D17: in slots B/F, C/E
 D17V: in slot A/D

50x150L

A = 25,8 cm²
 I_x = 540,0 cm⁴
 I_y = 64,2 cm⁴
 W_x = 72,0 cm³
 W_y = 25,7 cm³
 m = 6,9 kg/m



19456

Cap	Color	ESD	No.
50x150 (1x)	Signal gray		20 3 842 548 818
50x150 (1x)	Black		20 3 842 548 819

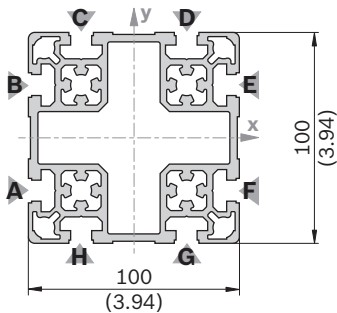
Material: PP

50x150L	L (mm)	No.
1 pc	50 ... 6000	3 842 993 196 / L
1 pc M12	60 ... 6000	3 842 993 194 / L
1 pc M12 M12	110 ... 6000	3 842 993 199 / L
1 pc D17 D17	80 ... 6000	3 842 993 200 / L
1 pc D17V D17V	90 ... 6000	3 842 993 228 / L
4 pcs	6070	3 842 537 826
1 pc	6070	3 842 529 378

Profile finishing: M12: in all core holes
 D17: in slots B/H, C/G, D/F
 D17V: in slots A/E

100x100L

A = 29,9 cm²
 I_x = 318,3 cm⁴
 I_y = 318,3 cm⁴
 W_x = 63,7 cm³
 W_y = 63,7 cm³
 m = 8,1 kg/m



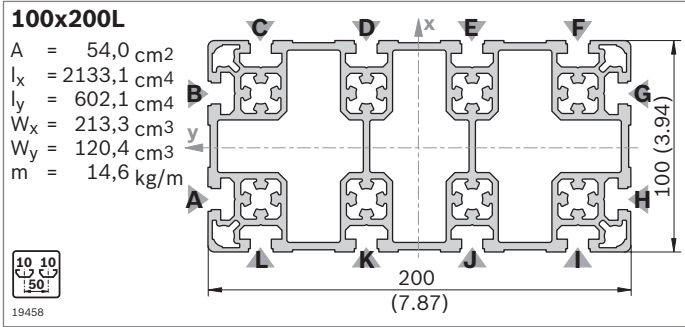
19457

Cap	Color	ESD	No.
100x100 (1x)	Signal gray		20 3 842 548 824
100x100 (1x)	Black		20 3 842 548 825

Material: PP

100x100L	L (mm)	No.
1 pc	50 ... 6000	3 842 993 171 / L
1 pc M12	60 ... 6000	3 842 993 172 / L
1 pc M12 M12	110 ... 6000	3 842 993 173 / L
1 pc M12 D17	90 ... 6000	3 842 993 174 / L
1 pc D17	60 ... 6000	3 842 993 175 / L
1 pc D17 D17	80 ... 6000	3 842 993 176 / L
1 pc D17 D17V	80 ... 6000	3 842 993 177 / L
6 pcs	6070	3 842 529 355
1 pc	6070	3 842 529 356

Profile finishing: M12: in all core holes
 D17: in slots C/H, D/G
 D17V: in slots A/F, B/E

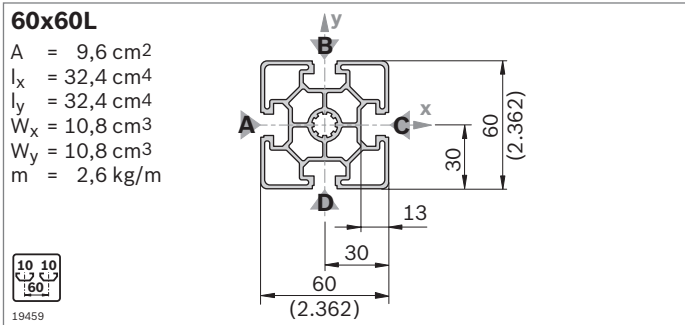


Cap	Color	ESD	No.
100x100 (2x)	Signal gray	20	3 842 548 824
100x100 (2x)	Black	20	3 842 548 825

Material: PP

100x200L	L (mm)	No.
1 pc	50 ... 6000	3 842 993 178 / L
1 pc M12	60 ... 6000	3 842 993 179 / L
1 pc M12 M12	110 ... 6000	3 842 993 180 / L
1 pc M12 D17	90 ... 6000	3 842 993 181 / L
1 pc D17	60 ... 6000	3 842 993 182 / L
1 pc D17 D17	80 ... 6000	3 842 993 183 / L
1 pc D17V D17V	90 ... 6000	3 842 993 227 / L
3 pcs	6070	3 842 529 357
1 pc	6070	3 842 529 358

Profile finishing: M12: in all core holes
 D17: in slots C/L, D/K, E/J, F/I
 D17V: in slots A/H, B/G



Cap	Color	ESD	No.
60x60 (1x)	Signal gray	100	3 842 548 808
60x60 (1x)	Black	100	3 842 548 809

Material: PP

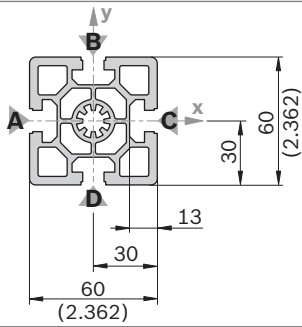
Cap with hole	Color	ESD	No.
60x60 (1x)	Signal gray	20	3 842 548 810
60x60 (1x)	Black	20	3 842 548 811

Material: PP

60x60L	L (mm)	No.
1 pc	50 ... 5600	3 842 992 443 / L
1 pc M12	60 ... 5600	3 842 992 444 / L
1 pc M12 M12	110 ... 5600	3 842 992 445 / L
1 pc M12 D17	90 ... 5600	3 842 992 446 / L
1 pc D17	60 ... 5600	3 842 992 449 / L
1 pc D17 D17	80 ... 5600	3 842 992 447 / L
1 pc D17 D17V	80 ... 5600	3 842 992 448 / L
20 pcs	5600	3 842 511 872
1 pc	5600	3 842 511 871

60x60

A = 14,4 cm²
 $I_x = 52,2 \text{ cm}^4$
 $I_y = 52,2 \text{ cm}^4$
 $W_x = 17,4 \text{ cm}^3$
 $W_y = 17,4 \text{ cm}^3$
 m = 3,9 kg/m



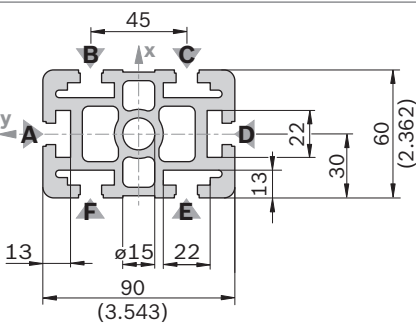
Cap	Color	ESD	No.
60x60 (1x)	Signal gray		100 3 842 548 808
60x60 (1x)	Black		100 3 842 548 809
Material:	PP		

Cap with hole	Color	ESD	No.
60x60 (1x)	Signal gray		20 3 842 548 810
60x60 (1x)	Black		20 3 842 548 811
Material:	PP		

60x60	L (mm)	No.
1 pc	50 ... 5600	3 842 990 350 / L
1 pc M12	60 ... 5600	3 842 990 351 / L
1 pc M12 M12	110 ... 5600	3 842 990 353 / L
1 pc M12 M16	180 ... 5600	3 842 990 354 / L
1 pc M12 D17	90 ... 5600	3 842 990 355 / L
1 pc M16	120 ... 5600	3 842 990 352 / L
1 pc M16 D17	170 ... 5600	3 842 990 373 / L
1 pc D17	50 ... 5600	3 842 990 370 / L
1 pc D17 D17	80 ... 5600	3 842 990 357 / L
1 pc D17 D17V	80 ... 5600	3 842 990 359 / L
1 pc	6000	3 842 507 716
20 pcs	6000	3 842 315 126

60x90

A = 25,8 cm²
 $I_x = 214,2 \text{ cm}^4$
 $I_y = 90,5 \text{ cm}^4$
 $W_x = 47,6 \text{ cm}^3$
 $W_y = 30,2 \text{ cm}^3$
 m = 7,0 kg/m



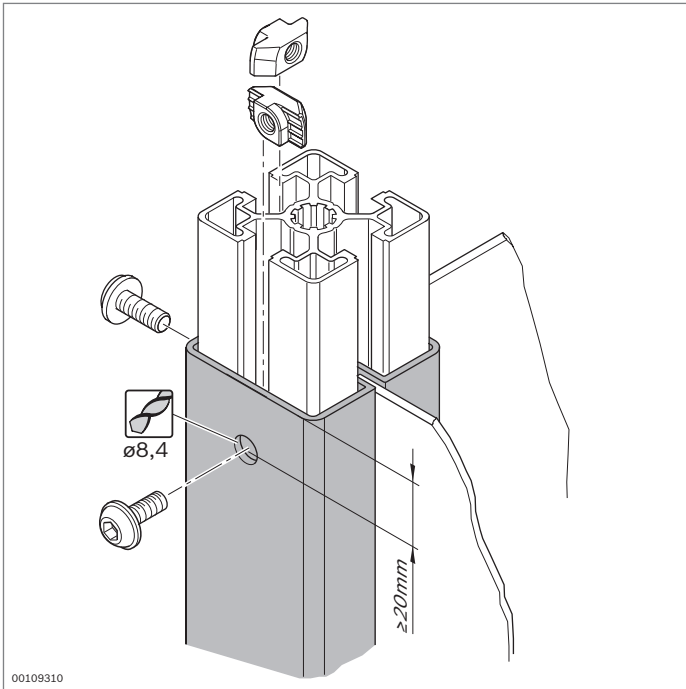
Cap	Color	ESD	No.
60x90 (1x)	Signal gray		20 3 842 548 812
60x90 (1x)	Black		20 3 842 548 813
Material:	PP		

Cap with hole	Color	ESD	No.
60x90 (1x)	Black		20 3 842 514 663
Material:	PA		

60x90	L (mm)	No.
1 pc	50 ... 5600	3 842 990 450 / ...
1 pc M16	120 ... 5600	3 842 990 453 / ...
1 pc M16 M16	240 ... 5600	3 842 990 454 / ...
1 pc M16 D17	170 ... 5600	3 842 992 962 / ...
1 pc M16 D17V	170 ... 5600	3 842 992 963 / ...
1 pc M16 F2	170 ... 5600	3 842 990 472 / ...
1 pc D17 D17	80 ... 5600	3 842 990 097 / ...
1 pc D17 D17V	80 ... 5600	3 842 990 099 / ...
1 pc D17V D17V	90 ... 5600	3 842 990 098 / ...
1 pc F1 F1	110 ... 5600	3 842 990 464 / ...
1 pc F1 F1V	110 ... 5600	3 842 990 481 / ...
1 pc F2 F2	110 ... 5600	3 842 990 478 / ...
1 pc	6000	3 842 507 124
10 pcs	6000	3 842 315 124

Profile finishing: D17: in slots B/F, C/E
 D17V: in slots A/D

Note: A quick connector cannot be used



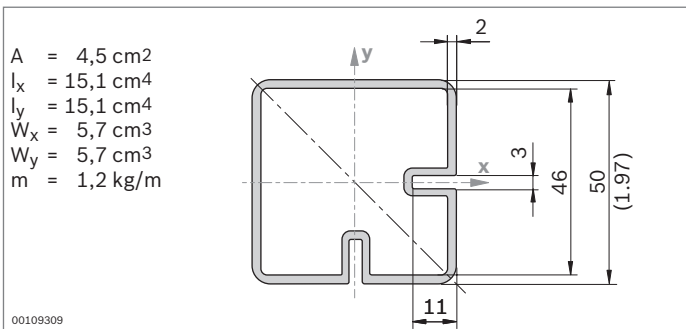
00109310

Rectangular tube



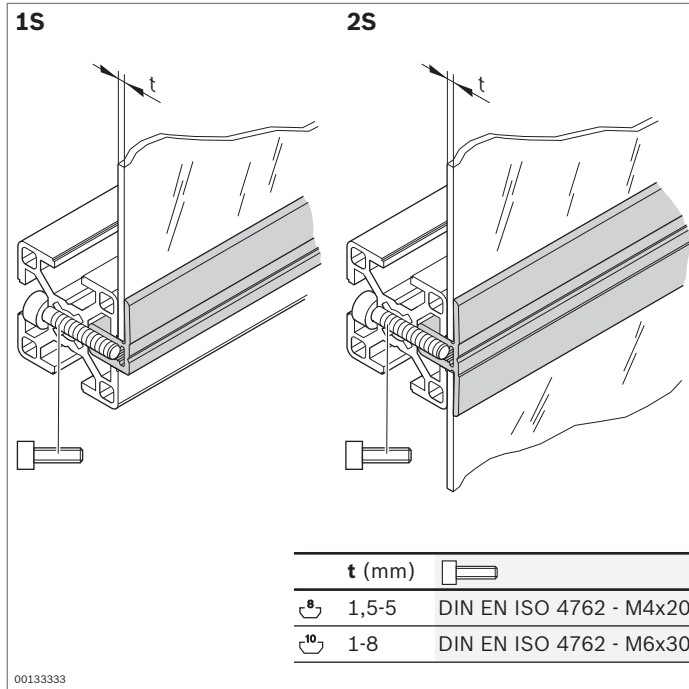
- ▶ For constructing manually height-adjustable frames
- ▶ Cutouts for holding surface elements
- ▶ Profile finishing: hole for screw

Required accessories:
fastening material



00109309

Rectangular tube		L (mm)	No.
1 pc		50 ... 5600	3 842 992 913 / L
	6 pcs	5600	3 842 537 817
1 pc		5600	3 842 537 847



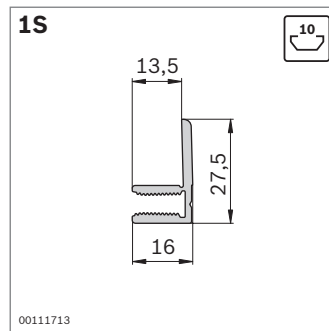
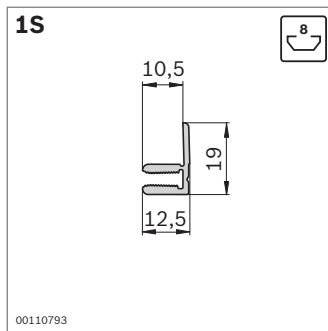
Clamping profile



- ▶ For simple fastening of panes, surface elements, or grilles on strut profiles
- ▶ For subsequent installation in closed frame constructions
- ▶ For surface elements with varying thicknesses
- ▶ Profile finishing: through-hole for mounting screw

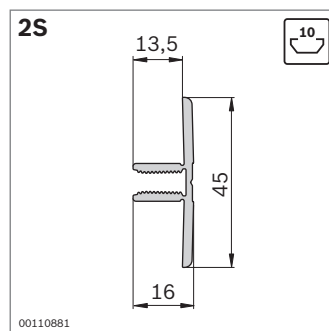
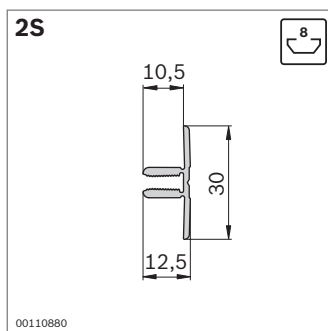
Required accessories:

- ▶ Cylinder head bolt DIN EN ISO 4762 – M4x20 (8 mm slot)
- ▶ Cylinder head bolt DIN EN ISO 4762 – M6x30 (10 mm slot)



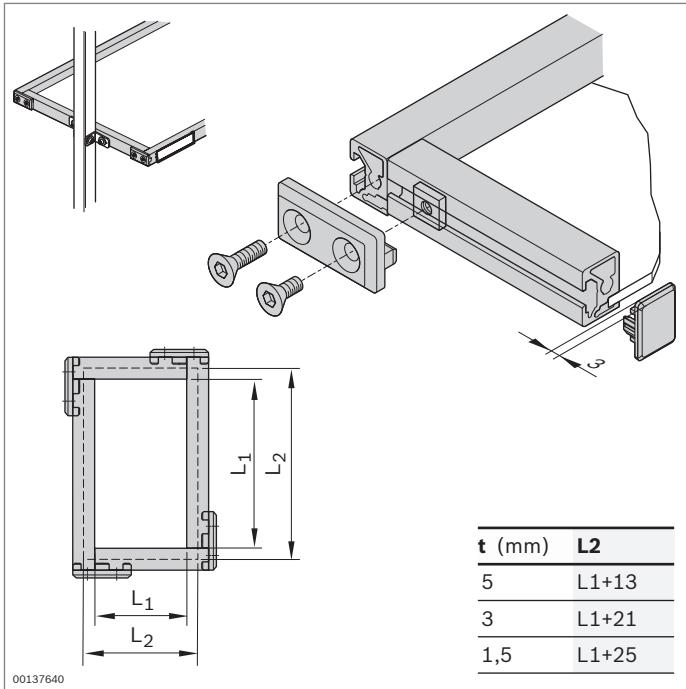
Clamping profile 1S	Slot	L (mm)	No.
1 pc	8	50 ... 3000	3 842 993 017 / L
10 pcs	8	3000	3 842 524 058
1 pc	10	50 ... 3000	3 842 993 019 / L
10 pcs	10	3000	3 842 524 064

Material: Aluminum, anodized



Clamping profile 2S	Slot	L (mm)	No.
1 pc	8	50 ... 3000	3 842 993 018 / L
10 pcs	8	3000	3 842 524 061
1 pc	10	50 ... 3000	3 842 993 020 / L
10 pcs	10	3000	3 842 524 067

Material: Aluminum, anodized



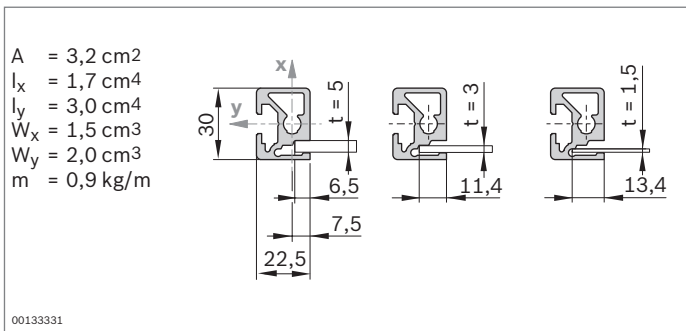
Frame profile 22.5x30



- ▶ For inexpensive construction of tablets and material shelves
- ▶ Surface elements are mounted under tension so that they do not rattle

Accessories, optional:

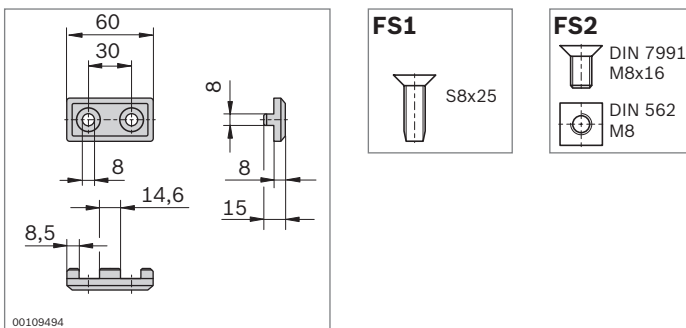
- ▶ Bracket set M6 (p. 3-30)
- ▶ Swivel fastening (p. 4-11)
- ▶ Lettering clip for 8 mm slot (p. 2-88)
- ▶ Plate (p. 2-64)



Frame profile 22.5x30	Slot	L (mm)	No.
1 pc	8	50 ... 5600	3 842 992 493 / L
20 pcs	8	5600	3 842 515 229
1 pc	8	5600	3 842 515 228

Material: Aluminum, anodized

Cap	Color	ESD	No.
22.5x30	Black	20	3 842 516 720



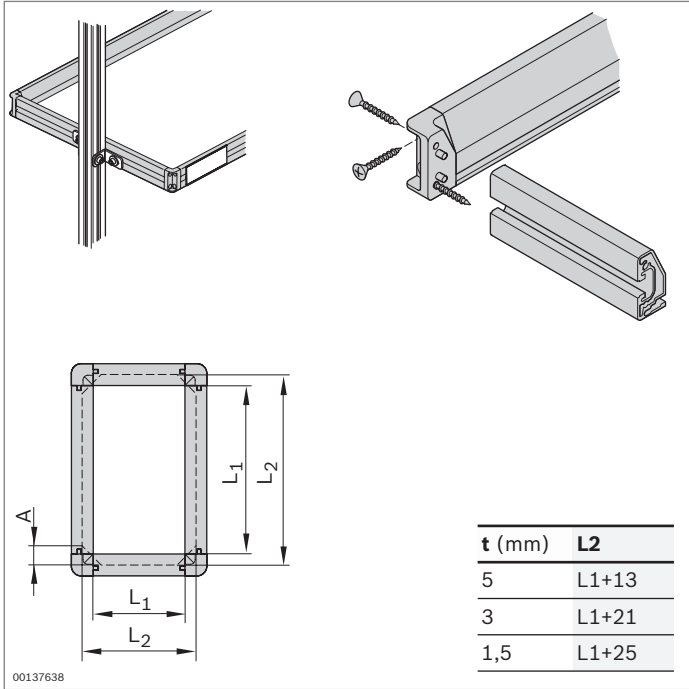
Corner piece for frame profile 22.5x30

- ▶ For perpendicular connections between two frame profiles 22.5x30
- ▶ Profile finishing: not required

Corner piece	ESD	No.	FS
	20	3 842 535 661	FS1, FS2

Material: PA; black

Scope of delivery: Incl. fastening material (FS)



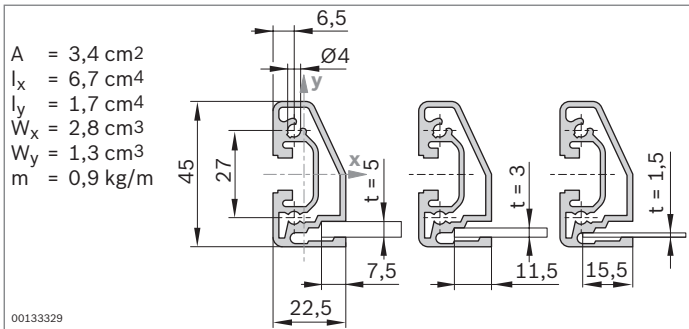
Frame profile 22.5x45



- ▶ For inexpensive construction of tablets and material shelves
- ▶ Surface elements are mounted under tension so that they do not rattle

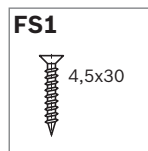
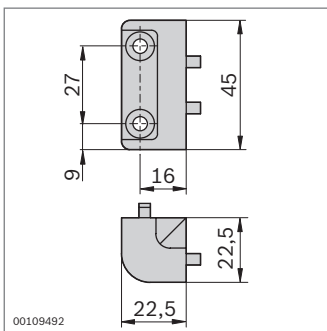
Accessories, optional:

- ▶ Bracket set (p. 3-32)
- ▶ Swivel fastening (p. 4-11)
- ▶ Lettering clip for 10 mm slot (p. 2-88)
- ▶ Plate (p. 2-64)



Frame profile 22.5x45	Slot	L (mm)	No.
1 pc	10	50 ... 5600	3 842 992 411 / L
20 pcs	10	5600	3 842 508 102
1 pc	10	5600	3 842 508 103

Material: Aluminum, anodized



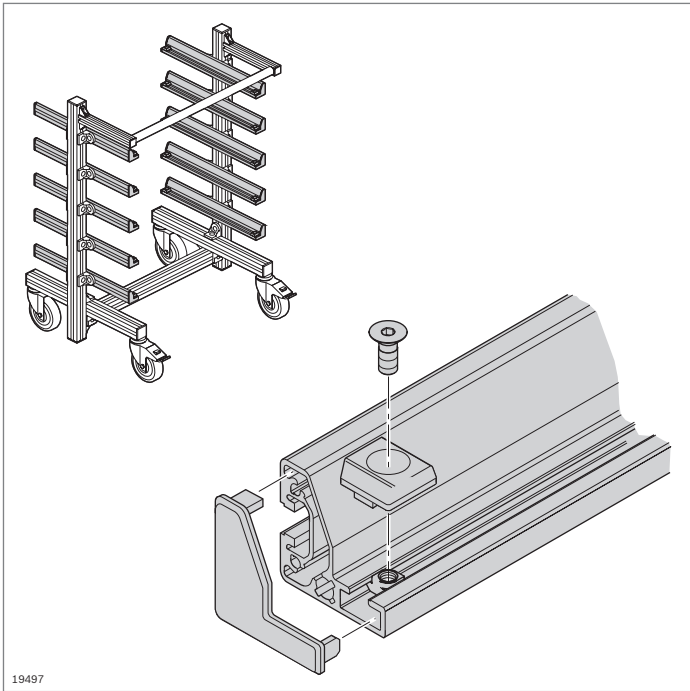
Corner piece for frame profile 22.5x45

- ▶ For perpendicular connections of two frame profiles 22.5x45
- ▶ Profile machining: not required

Corner bracket	ESD	No.	FS
	20	3 842 535 637	4xFS1

Material: Diecast zinc

Scope of delivery: Incl. fastening material (FS)



19497

$A = 4,5 \text{ cm}^2$
 $I_x = 8,8 \text{ cm}^4$
 $I_y = 6,9 \text{ cm}^4$
 $W_x = 3,2 \text{ cm}^3$
 $W_y = 2,3 \text{ cm}^3$
 $m = 1,2 \text{ kg/m}$

00125101

00125100

FS1

DIN7991
M6x16

Angle profile



- For supporting containers, plates, or workpiece pallets in flow racks, material shuttles, or hopper stackers

Accessories:

Bracket R40x43 (p. 3-31)

Angle profile	L (mm)	No.
1 pc	50 ... 5600	3 842 992 412 / L
20 pcs	5600	3 842 508 104
1 pc	5600	3 842 508 105

Material: Aluminum, anodized

Stopper and cap

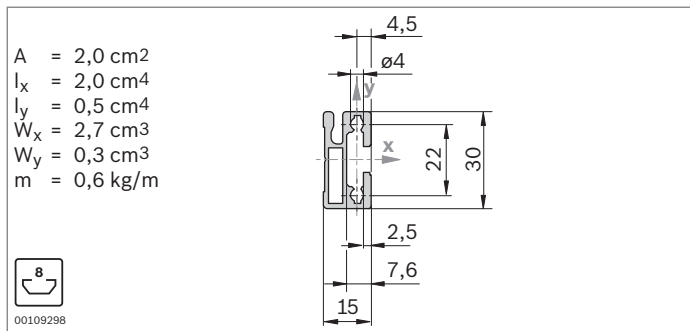
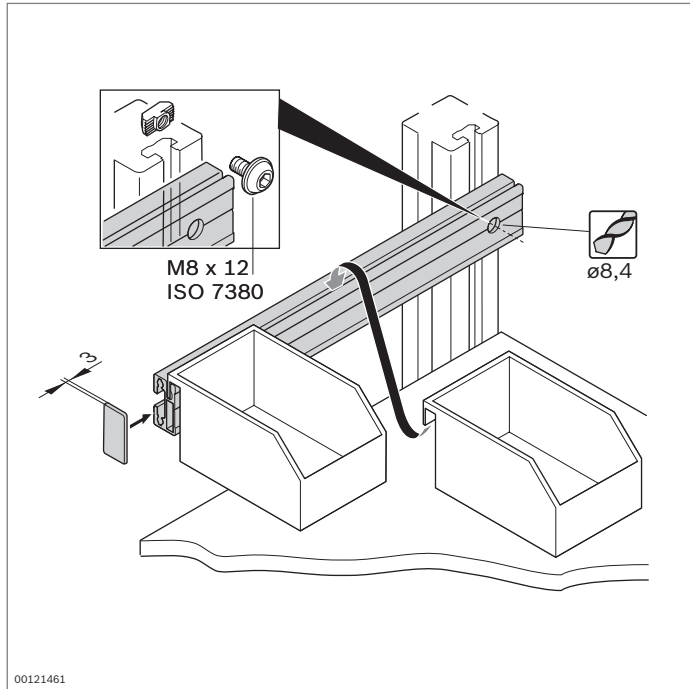
- Stoppers prevent containers from sliding on the angle profile
- Cap to prevent injuries at open profile ends
- Attractive design

Stopper, cap	No.	FS
20	3 842 508 116	2xFS1

Material: PA; black

Fastening material: steel; galvanized

Scope of delivery: Incl. fastening material (FS)



Suspension profile



- ▶ For the fast, secure suspension of grab containers, grab ledges, grab trays, and tool holders
- ▶ Profile finishing:
Through hole for screwdriver
- ▶ Matching grab containers in the Manual Production Systems catalog (**3 842 538 281**)

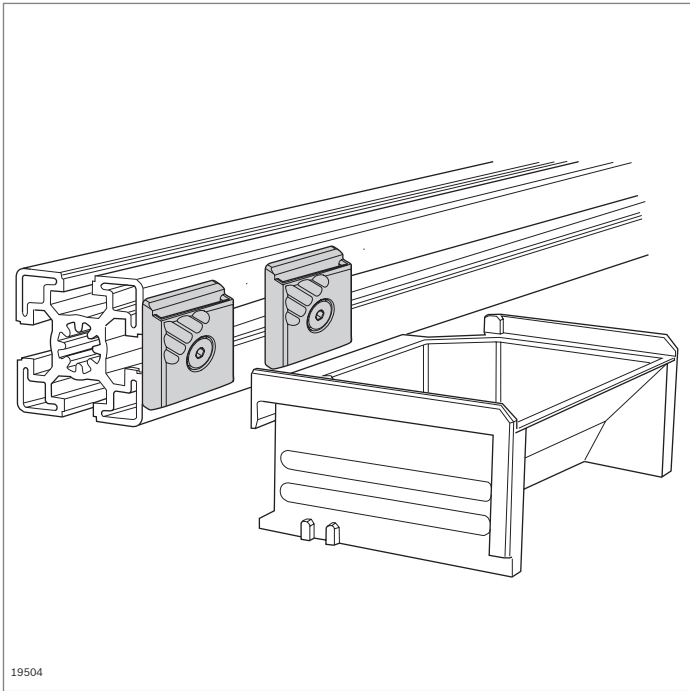
Required accessories:

- ▶ Screw
- ▶ T-nut (p. 3-4)

Suspension profile	L (mm)	ESD No.
1 pc	50 ... 3000	3 842 993 411 / L
10 pcs	3000	3 842 537 679
1 pc	50 ... 3000	3 842 993 359 / L
10 pcs	3000	3 842 537 681
1 pc	3000	3 842 537 682
1 pc	3000	3 842 537 680

Material: Suspension profile: aluminum, anodized
ESD suspension profile: aluminum, transparent chromated

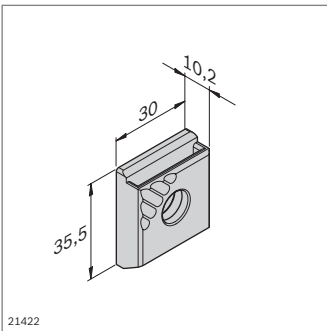
Cap	Color	ESD	No.
15x30	black		20 3 842 338 990



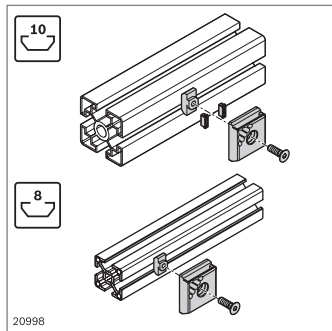
19504

Container mount

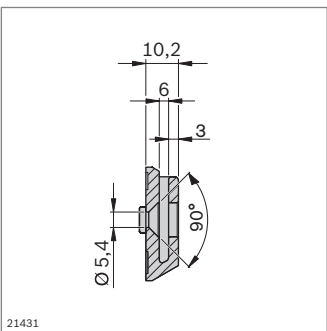
- ▶ Container mount for mounting tool holders, grab containers, grab trays, and grab ledges
- ▶ Suitable for 8 mm and 10 mm slot



21422



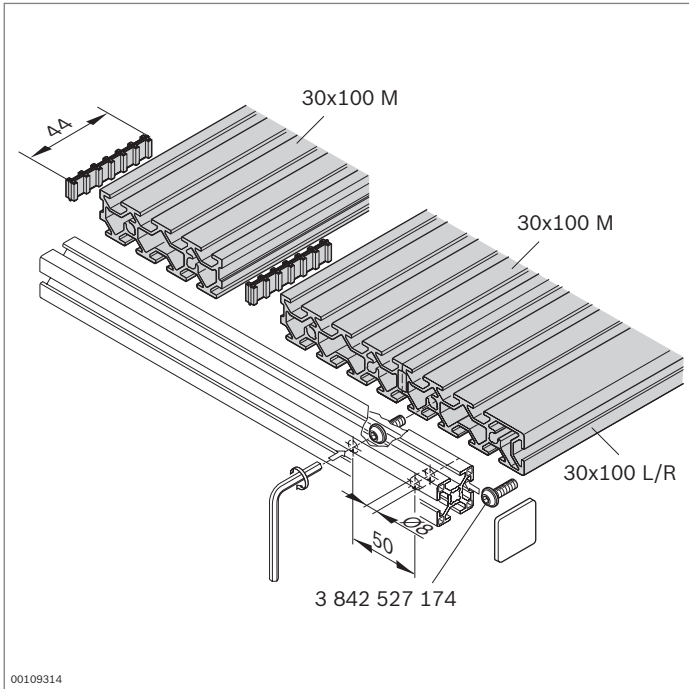
20998



21431

Container mount	ESD No.
10	3 842 544 797

Material: PA 66; black
 Fastening material: steel; galvanized
 Scope of delivery: Incl. fastening material (FS)

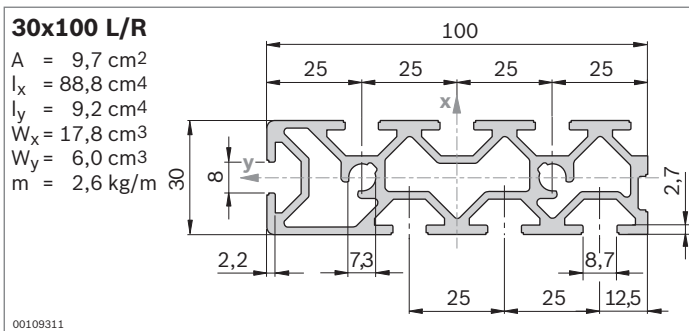


Slotted plate 30x100

- ▶ Modular plate profiles with multiple slots for experimental constructions of any size
- ▶ Slot spacing 25 mm
- ▶ Slot size 8.9 mm
- ▶ 8 mm slot connectors may be used

Accessories, optional:

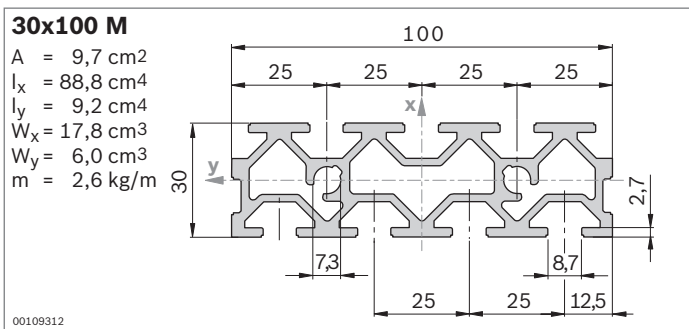
- ▶ Profile 30x30 (p. 2-19)
- ▶ Sliding block



- ▶ Slotted plate **30x100 L/R** with lateral 8 mm slot as outer stop

Slotted plate 30x100 L/R	Slot	L (mm)	No.
1 pc	8	100 ... 5600	3 842 993 337 / L
18 pcs	8	5600	3 842 542 696

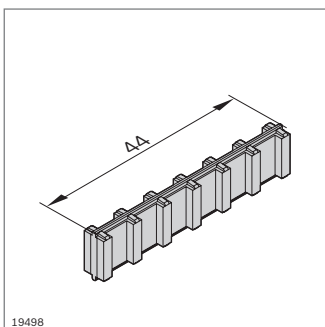
Material: Aluminum, anodized



- ▶ Slotted plate **30x100 M** for constructing slotted plates of any width

Slotted plate 30x100 M	Slot	L (mm)	No.
1 pc	8	100 ... 5600	3 842 993 336 / L
18 pcs	8	5600	3 842 542 698

Material: Aluminum, anodized

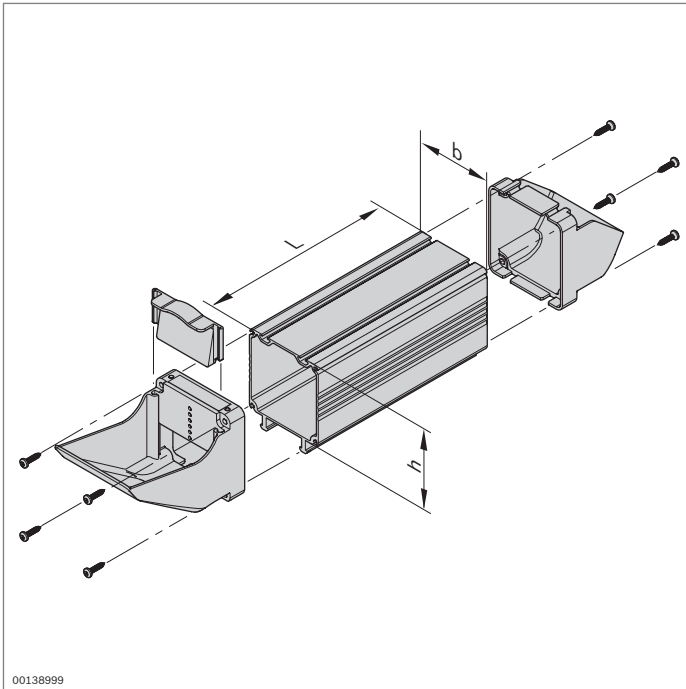


Sliding block

- ▶ For connecting slotted plates 30x100
- ▶ Recommendation: use 3 sliding blocks per meter of profile length

Sliding block	No.
	100 3 842 520 922

Material: PA

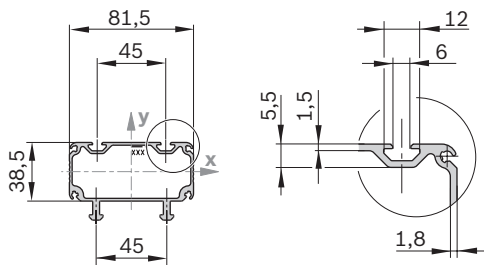


**Material chute
refill end-piece, grab ledge, grab container base**

- ▶ Small parts within easy reach on the workstation
- ▶ Components for the individual construction of stable Vario grab containers
- ▶ Customizable holding capacity

90x45

A = 7,0 cm²
I_x = 20,7 cm⁴
I_y = 54,3 cm⁴
m = 1,8 kg/m



19908

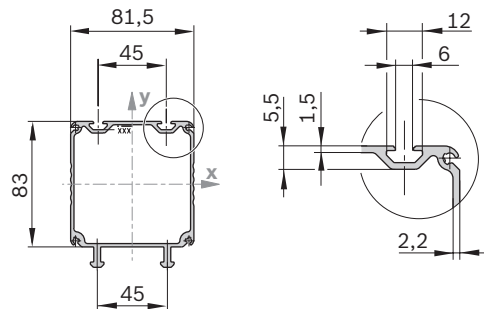
Material chute 90x45 L (mm) No.

1 pc	50 ... 3000	3 842 993 071 / L
3 pcs	3000	3 842 526 671

Material: Aluminum, anodized

90x90

A = 9,6 cm²
I_x = 118,8 cm⁴
I_y = 88,1 cm⁴
m = 2,5 kg/m



19599

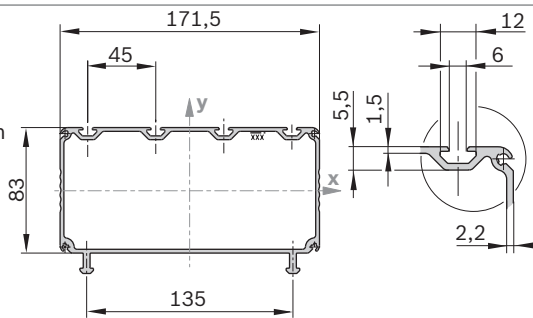
Material chute 90x90 L (mm) No.

1 pc	50 ... 3000	3 842 993 072 / L
3 pcs	3000	3 842 526 672

Material: Aluminum, anodized

180x90

A = 15,5 cm²
I_x = 208,2 cm⁴
I_y = 597,5 cm⁴
m = 4,2 kg/m

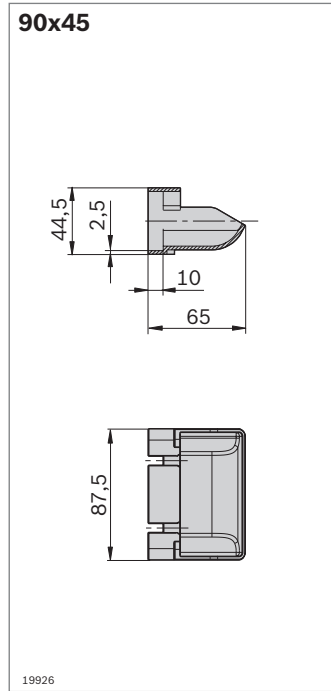
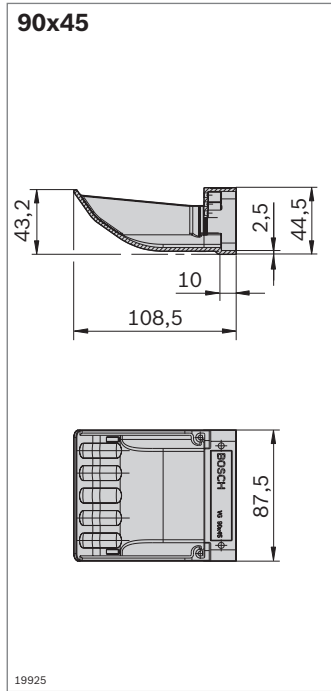


19909

Material chute 180x90 L (mm) No.

1 pc	50 ... 3000	3 842 993 073 / L
3 pcs	3000	3 842 526 673

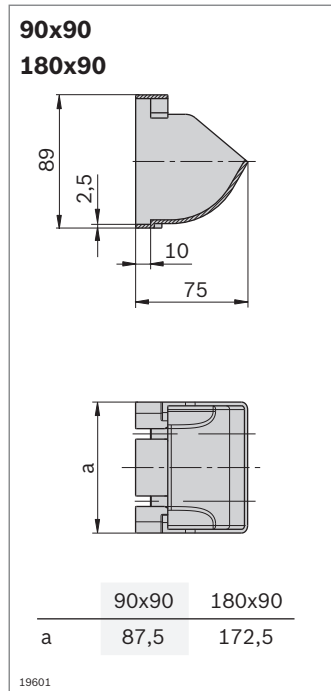
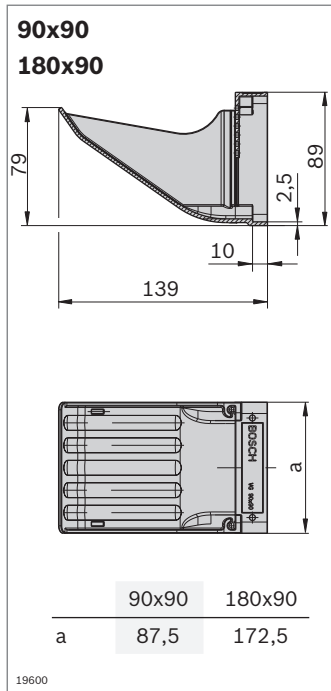
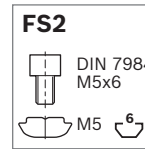
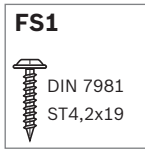
Material: Aluminum, anodized



- ▶ Refill end-piece with large opening for easy filling
- ▶ Ergonomically designed grab ledge for easy, safe grabbing
- ▶ Grab container pusher for closing

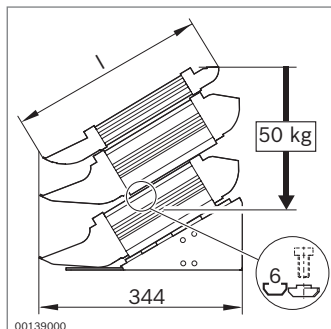
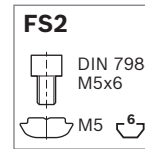
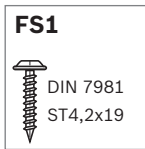
Grab ledge and refill end-piece	No.	FS
90 x 45	3 842 526 626	8xFS1, FS2

Material: Plastic ABS, light gray RAL 7035
 Fastening material: steel; galvanized
 Scope of delivery: Incl. fastening material (FS)



Grab ledge and refill end-piece	No.	FS
90 x 90	3 842 526 627	8xFS1, FS2
180 x 90	3 842 526 628	8xFS1, FS2

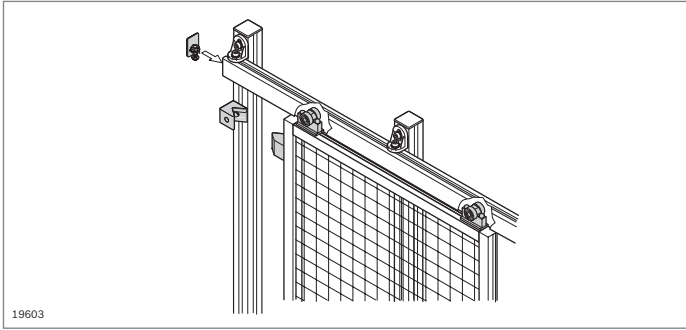
Material: Plastic ABS, light gray RAL 7035
 Fastening material: steel; galvanized
 Scope of delivery: Incl. fastening material (FS)



- ▶ Grab container base for an ergonomically optimized arrangement of grab containers

Grab container base	w x h x l (mm)	No.
SG 90	90 x 149 x 315	3 842 526 660
SG 180	180 x 149 x 315	3 842 526 665

Material: Sheet steel, light gray powder coating (RAL 7035)

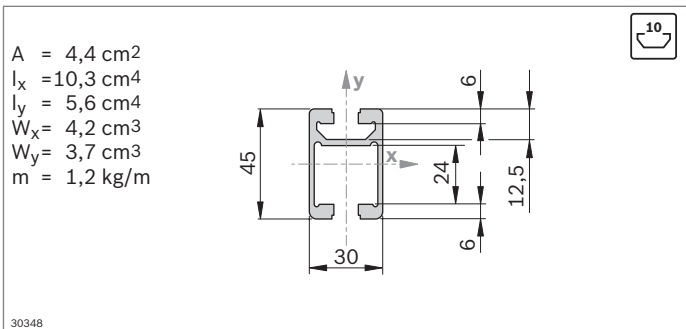


19603

Profile rail, trolley

- ▶ Profile rail and trolley for movable mounting of parts, e.g. for use as a screwdriver hanger at work tables or for EcoSafe sliding doors (p. 10-14)

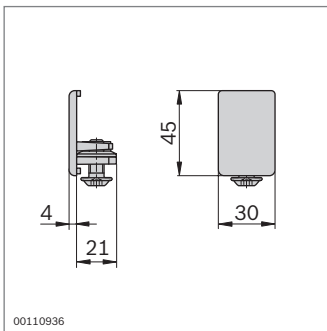
Accessories:
See page 12-4



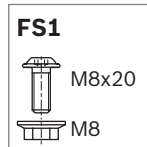
30348

Profile rail 30x45C	L (mm)	No.
1 pc	50 ... 5600	3 842 992 946 / L
20 pcs	5600	3 842 523 598
1 pc	5600	3 842 523 599

Material: Aluminum, anodized



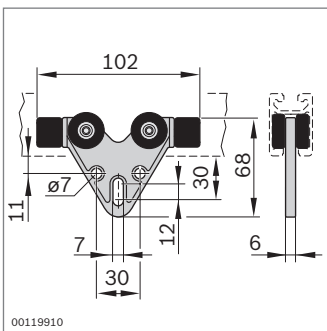
00110936



- ▶ Profile rail end piece for use as cover cap with stop
- ▶ With screw protection

End piece	No.	FS
20	3 842 521 513	FS1

Material: End piece: PA; black
Fastening material: steel, galvanized
Scope of delivery: Incl. fastening material (FS)



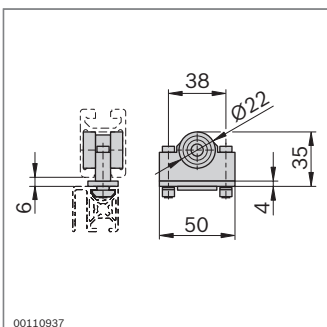
00119910

Trolley

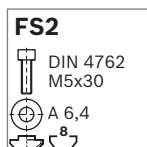
- ▶ Trolley with ring, e.g. for hanging a spring hook

Trolley for profile rail 30x45C	No.
	3 842 521 510

Material: Injection molded plastic



00110937

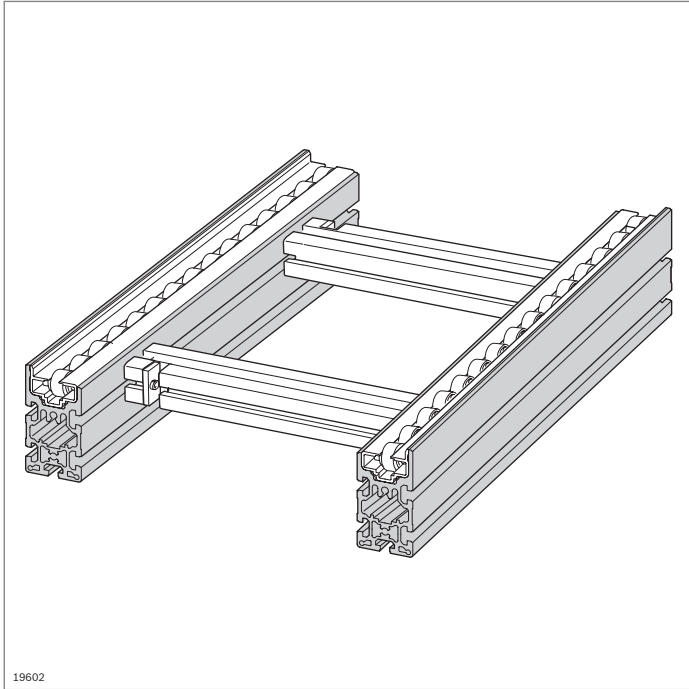


Trolley

- ▶ Trolley with dust-proof ball bearings for smooth movement
- ▶ For fastening profiles with a 8 mm slot

Trolley	No.	FS
	3 842 524 153	FS2

Material: PA; black
Scope of delivery: Incl. fastening material (FS)



19602

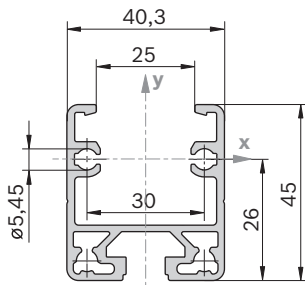
Profiles for installing conveyor media



- Profiles that are normally used to construct the transfer systems TS 2*plus* and TS 4, as well as Lean conveyor tracks, are also suitable for the construction of manual conveyor sections. Detailed information is available in chapter 12 “Elements for manual movement” and in the respective special catalogs

U-profile

$A = 4,4 \text{ cm}^2$
 $I_x = 10,4 \text{ cm}^4$
 $I_y = 8,3 \text{ cm}^4$
 $W_x = 4,6 \text{ cm}^3$
 $W_y = 4,1 \text{ cm}^3$
 $m = 1,2 \text{ kg/m}$



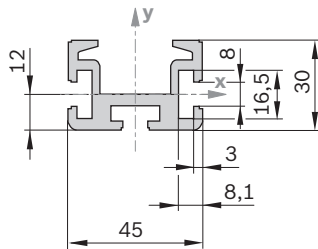
19902

U-profile	Slot	L (mm)	ESD No.
1 pc	10	50 ... 6000	3 842 993 316 / L
20 pcs	10	6070	3 842 535 115
1 pc	10	50 ... 6000	3 842 995 027 / L
20 pcs	10	6070	3 842 541 814
1 pc	10	6070	3 842 541 813
1 pc	10	6070	3 842 535 116

Material: U-profile: aluminum, anodized
 U-profile ESD: aluminum, untreated

SP 2/R

$A = 5,2 \text{ cm}^2$
 $I_x = 4,3 \text{ cm}^4$
 $I_y = 11,7 \text{ cm}^4$
 $W_x = 2,4 \text{ cm}^3$
 $W_y = 5,2 \text{ cm}^3$
 $m = 1,4 \text{ kg/m}$



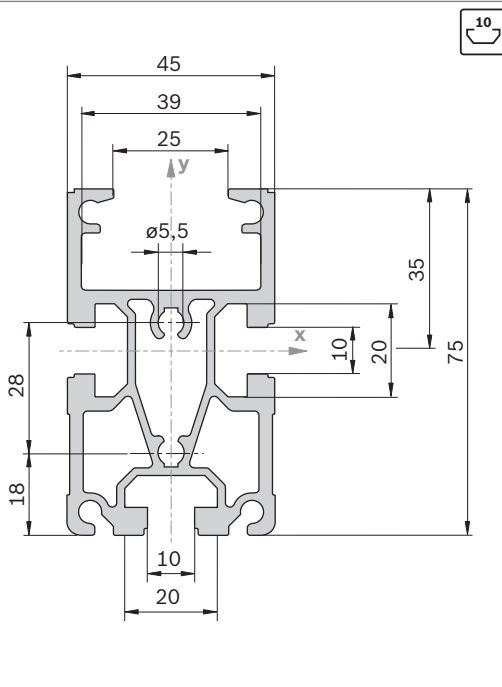
19893

Section profile SP 2/R	L (mm)	No.
	50 ... 6000	3 842 992 676

Material: Aluminum, natural-colored, anodized

SP 2/B

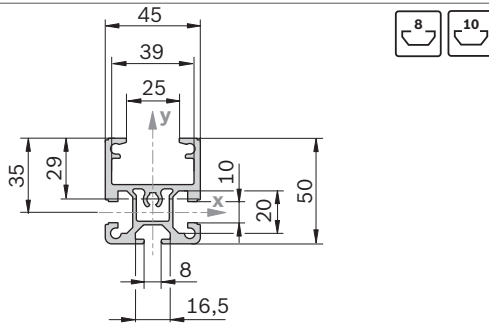
A = 10,4 cm²
 I_x = 49,6 cm⁴
 I_y = 25,8 cm⁴
 W_x = 12,1 cm³
 W_y = 11,5 cm³
 m = 2,8 kg/m



19903

SP 2/B-50

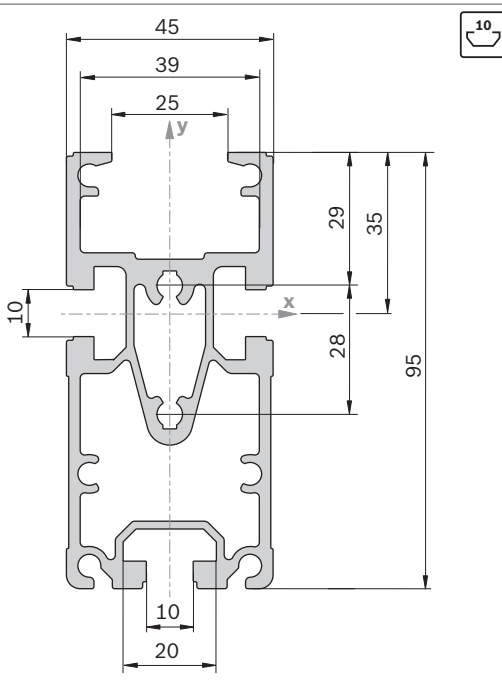
A = 6,9 cm²
 I_x = 16,1 cm⁴
 I_y = 16,9 cm⁴
 W_x = 5,3 cm³
 W_y = 7,5 cm³
 m = 1,9 kg/m



19904

SP 2/B-100

A = 11,9 cm²
 I_x = 95,1 cm⁴
 I_y = 30,4 cm⁴
 W_x = 20,0 cm³
 W_y = 13,5 cm³
 m = 3,2 kg/m



19905

Section profile SP 2/B	Slot	L (mm)	No.
1 pc	10	200 ... 6000	3 842 992 884 / L
16 pcs	10	6070	3 842 532 695

Material: Aluminum, natural-colored, anodized

Section profile SP 2/B-50	Slot	L (mm)	No.
1 pc	8 / 10	200 ... 6000	3 842 992 903 / L
20 pcs	8 / 10	6070	3 842 532 697

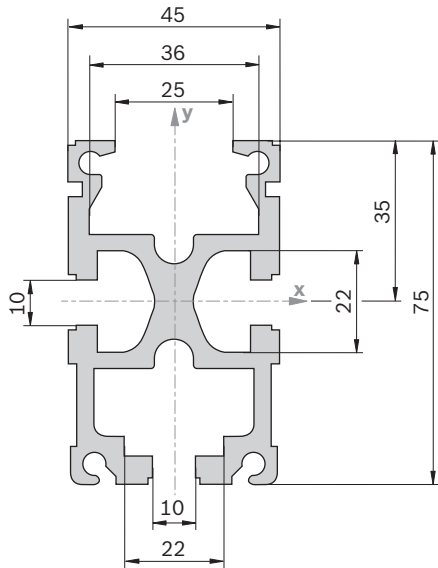
Material: Aluminum, natural-colored, anodized

Section profile SP 2/B-100	Slot	L (mm)	No.
1 pc	10	200 ... 6000	3 842 993 259 / L
16 pcs	10	6070	3 842 532 608

Material: Aluminum, natural-colored, anodized

SP 2/BH

A = 12,4 cm²
 $I_x = 53,7 \text{ cm}^4$
 $I_y = 28,6 \text{ cm}^4$
 $W_x = 14,0 \text{ cm}^3$
 $W_y = 13,8 \text{ cm}^3$
 m = 3,3 kg/m



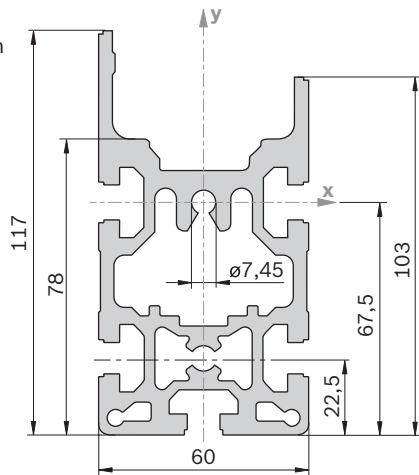
19906

Section profile SP 2/BH	Slot	L (mm)	No.
1 pc	10	200 ... 6000	3 842 990 409 / L
16 pcs	10	6070	3 842 532 696

Material: Aluminum, natural-colored, anodized

SP 4/R

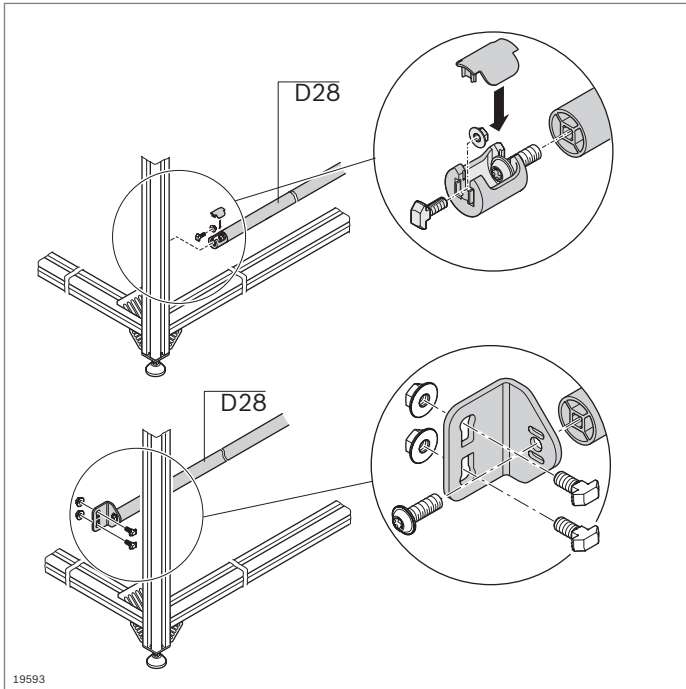
A = 26,1 cm²
 $I_x = 222,0 \text{ cm}^4$
 $I_y = 95,5 \text{ cm}^4$
 $W_x = 84,9 \text{ cm}^3$
 $W_y = 16,4 \text{ cm}^3$
 m = 3,5 kg/m



19907

Section profile SP 4/R	Slot	L (mm)	No.
10 pcs	10	6000	3 842 532 505

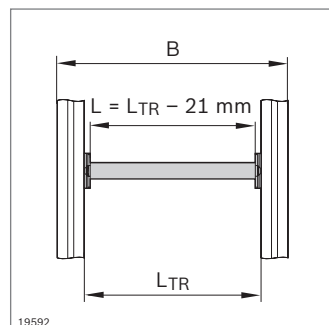
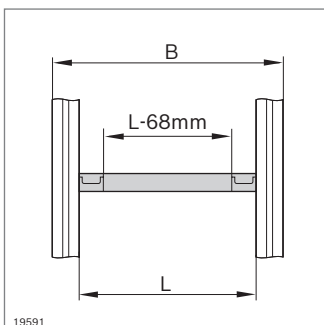
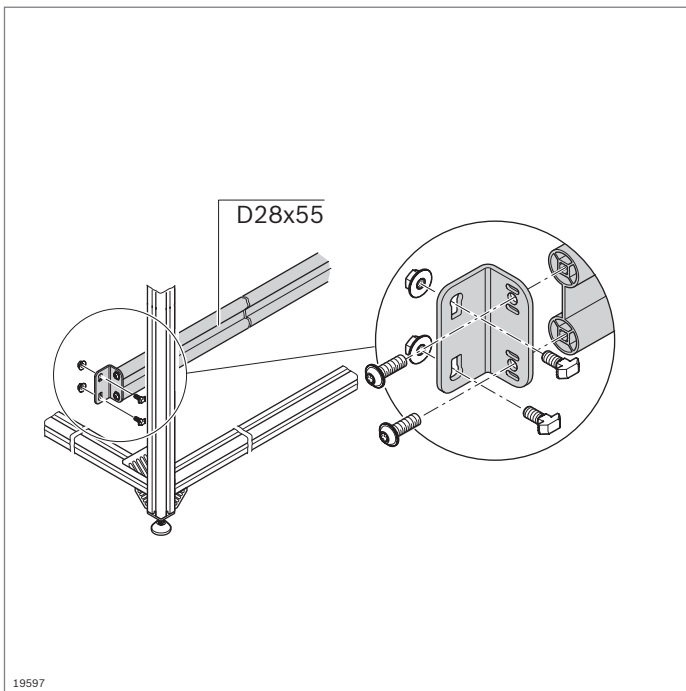
Material: Aluminum, natural-colored, anodized



Round tube D28, strut profile D28x55 bracket, T-connector

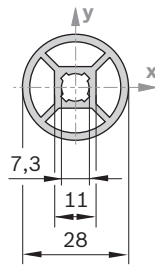


- ▶ For constructing cross ties in flow racks or workstations
- ▶ Designed for heavy loads
- ▶ Use of brackets makes for easy assembly
- ▶ Elongated hole in the mounting bracket for longitudinal compensation
- ▶ Central holes can be used for self-tapping screws S8x25 (p. 3-40)
- ▶ For matching components to construct conveyor tracks, see chapter 12 “Elements for manual movement”



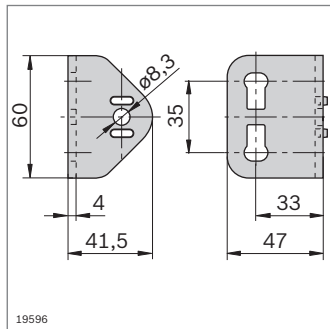
D28

A = 2,4 cm²
 I_x = 1,5 cm⁴
 I_y = 1,5 cm⁴
 W_x = 1,1 cm³
 W_y = 1,1 cm³
 m = 0,7 kg/m

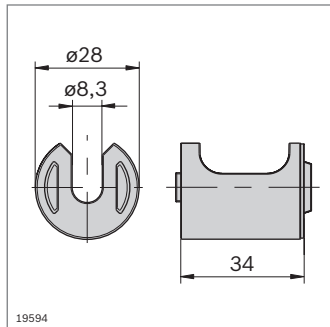
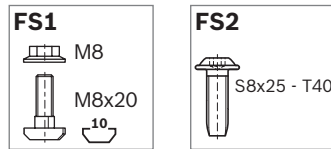


19505

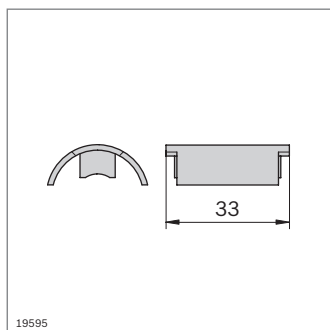
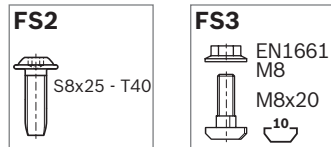
Cap D28	Color	ESD	No.
	Gray		20 3 842 537 718
	Black		20 3 842 535 835



19596



19594



19595

Round tube D28	L (mm)	No.
1 pc	50 ... 6000	3 842 993 317 / L
20 pcs	6070	3 842 535 118

Material: Aluminum, anodized
 Accessories, optional: Lettering clip (p. 2-88)

Holding bracket for round tube D28

- ▶ For mounting a round tube D28 to a strut profile with a 10 mm slot
- ▶ Extremely simple mounting thanks to easy adjustment of the installation height

Bracket 60x47x4	No.	FS
20	3 842 536 002	2xFS1, FS2

Material: Steel; galvanized
 Scope of delivery: Incl. fastening material (FS)

T-connector for round tube D28

- ▶ For mounting a round tube D28 to a strut profile with a 10 mm slot
- ▶ Without interfering contours

T-connector D28	No.	FS
20	3 842 532 879	FS2, FS3

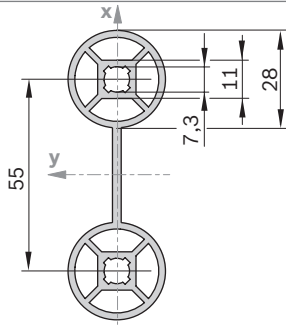
Material: T-connector: diecast aluminum
 Cover cap: ABS; black
 Scope of delivery: Incl. cap, fastening material (FS)

Cap D28	No.
20	3 842 532 878

Material: ABS; black

D28x55

A = 5,9 cm²
 $I_x = 3,2 \text{ cm}^4$
 $I_y = 88,3 \text{ cm}^4$
 $W_x = 2,3 \text{ cm}^3$
 $W_y = 23,1 \text{ cm}^3$
 m = 1,6 kg/m



19468

Strut profile D28x55

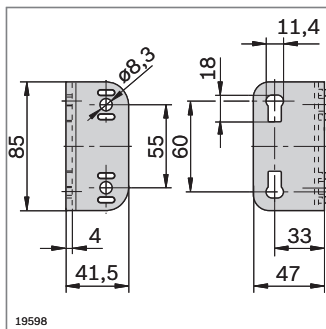
L (mm) No.

1 pc	100 ... 6000	3 842 993 489 / L
20 pcs	6070	3 842 537 477

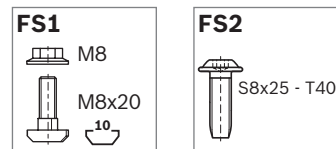
Material: Aluminum, anodized
 Accessories, optional: Lettering clip (p. 2-88)

2

Cap D28	Color	ESD	No.
(2x)	Gray		3 842 537 718
(2x)	Black		3 842 535 835



19598



Bracket 85x47x4

- For mounting a strut profile D28x55 to a strut profile with a 10 mm slot
- Extremely simple mounting thanks to easy adjustment of the installation height

Bracket 85x47x4	No.	FS
20	3 842 536 730	2xFS1, 2xFS2

Material: Steel; galvanized
 Scope of delivery: Incl. fastening material (FS)

EcoShape tubular framing system



- ▶ All connectors can be combined with the EcoShape round tubes D28L and D28R, N10, and the D28 round tube
- ▶ Integrated poka-yoke system for easy and secure connector installation
 - Anti-torsion element for secure joints
 - Positive interlocking connection
- ▶ All connectors are suitable for building ESD-conductive systems.

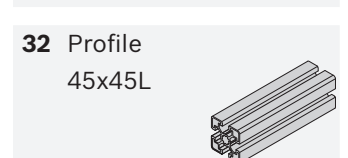
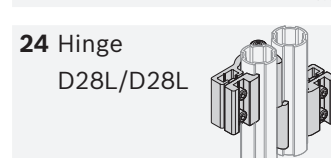
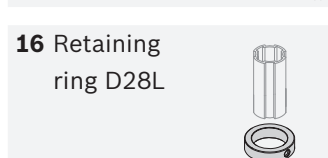
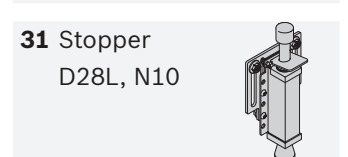
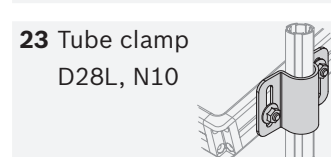
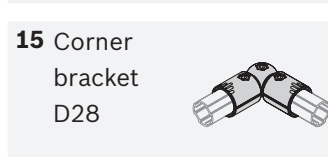
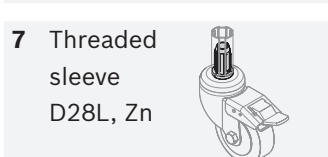
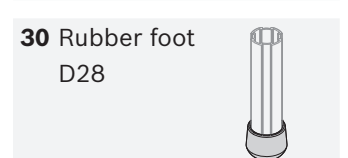
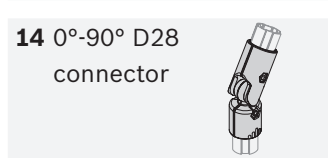
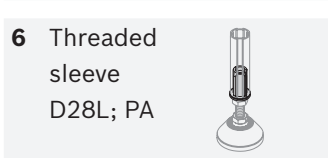
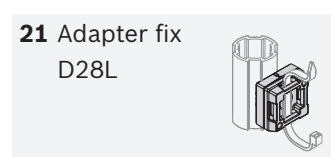
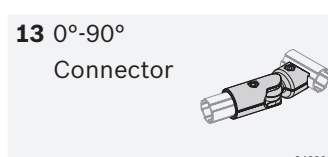
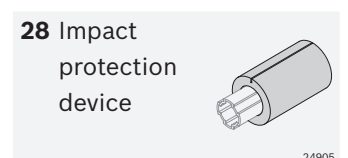
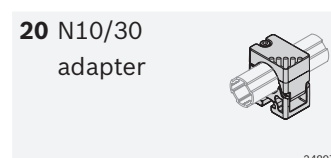
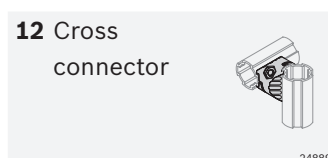
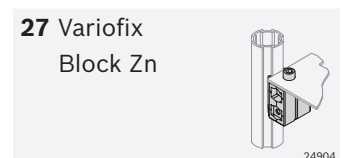
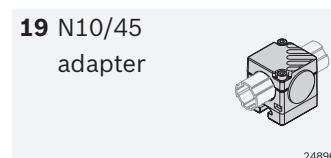
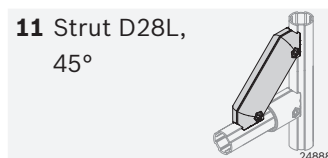
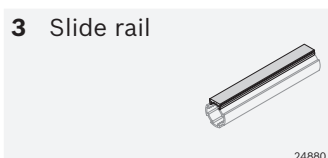
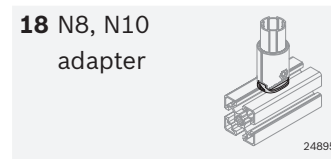
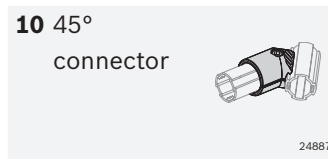
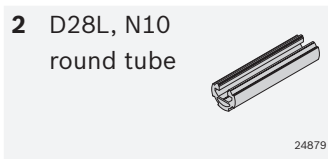
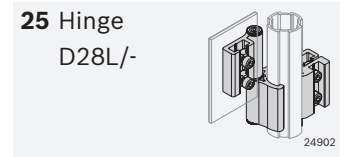
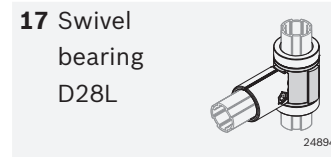
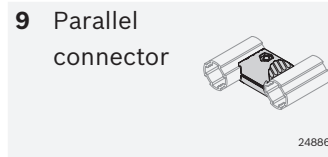
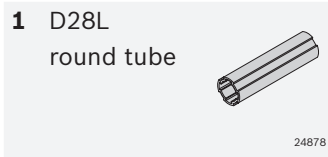
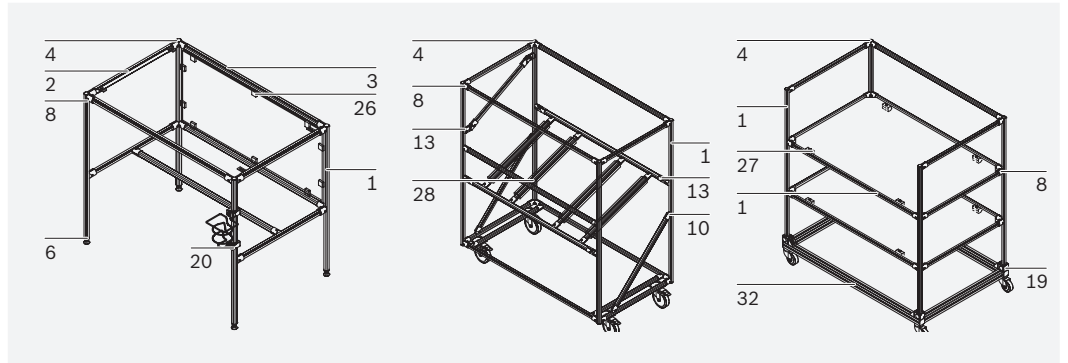
Material: Diecast zinc

Scope of delivery: incl. fastening material



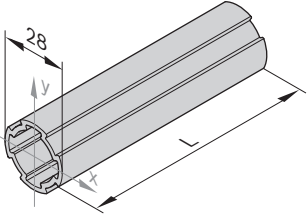
**31 components –
a myriad of options**

The EcoShape system is characterized by its consistent simplicity and efficiency: using just a few components, you can build complete assembly lines as well as simple transport shuttles.



1

$A = 1,8 \text{ cm}^2$
 $I_x = 1,3 \text{ cm}^4$
 $I_y = 1,3 \text{ cm}^4$
 $W_x = 1,0 \text{ cm}^3$
 $W_y = 1,0 \text{ cm}^3$
 $m = 0,5 \text{ kg/m}$



00134985

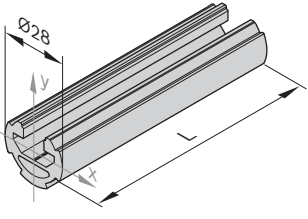
- ▶ Round tube D28L with 4 interfaces for attaching EcoShape connectors

Round tube D28L	L (mm)	No.
1 pc	50 ... 5600	3 842 996 191/L
50 pcs	5600	3 842 541 211
1 pc	5600	3 842 541 212

Material: Aluminum, anodized

2

$A = 2,6 \text{ cm}^2$
 $I_x = 1,2 \text{ cm}^4$
 $I_y = 2,0 \text{ cm}^4$
 $W_x = 0,8 \text{ cm}^3$
 $W_y = 1,4 \text{ cm}^3$
 $m = 0,7 \text{ kg/m}$



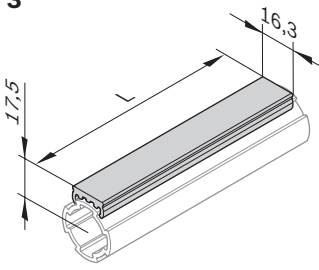
00134986

- ▶ Round tube D28L, N10 with a 10 mm slot for mounting accessories from the modular aluminum framing system
- ▶ 3 interfaces for attaching EcoShape connectors

Round tube D28L, N10	L (mm)	No.
1 pc	50 ... 5600	3 842 996 192/L
20 pcs	5600	3 842 541 213
1 pc	5600	3 842 541 214

Material: Aluminum, anodized

3



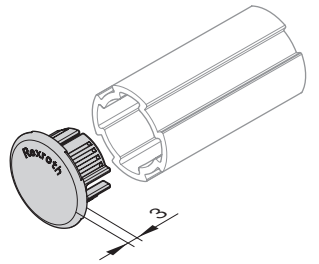
00134987

- ▶ Slide rail for creating a simple conveyor track or manual slide section by clipping the slide rail onto the round tube D28L or D28L, N10

Slider rail	L (mm)	ESD		No.
	2000		10	3 842 541 196
	2000		10	3 842 548 117

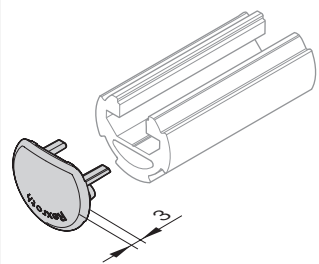
Material: PVC; gray
ESD: PVC (conductive); black

4



24132

5

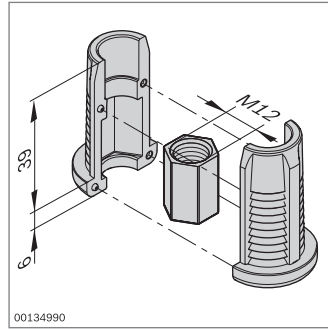
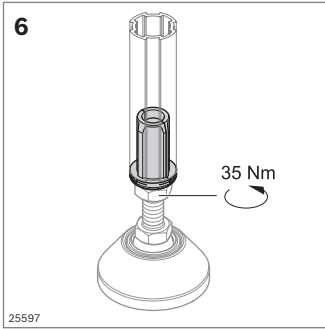


24133

- ▶ Cap for round tube D28L and D28L, N10

Cap	ESD		No.
4 D28L		20	3 842 548 129
5 D28L, N10		20	3 842 548 130

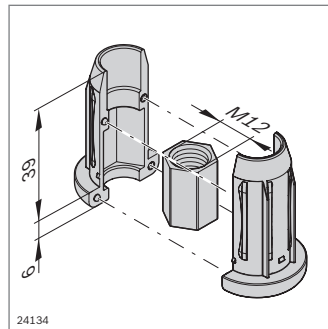
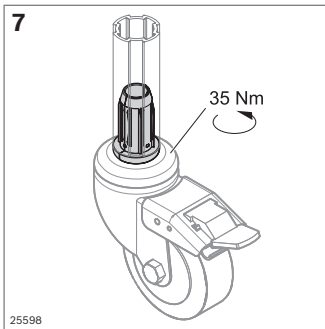
Material: PA66 (conductive); black



► Threaded sleeve for incorporating a leveling foot or caster. For further information (see p. 6-7)

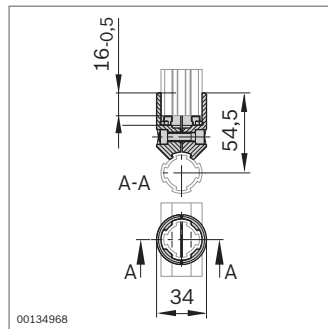
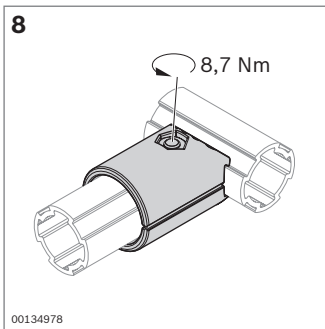
Threaded sleeve D28L, PA	ESD	No.
	20	3 842 541 185

Material: PA66 (conductive); black
Hexagon nut: aluminum



Threaded sleeve D28L, Zn	ESD	No.
	20	3 842 548 119

Material: Diecast zinc
Hexagon nut: aluminum

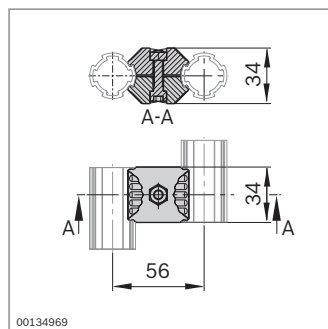
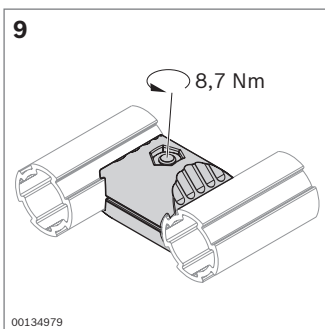


90° connector	ESD	No.	FS
	20	3 842 541 173	FS1

Material: Diecast zinc
Scope of delivery: Incl. fastening material (FS)

FS1

ISO 4762	M6x25
ISO 4032	M6

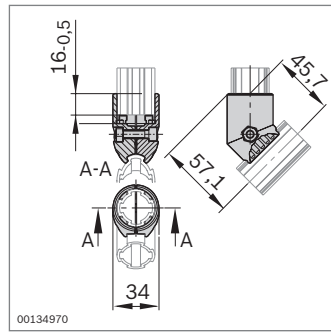
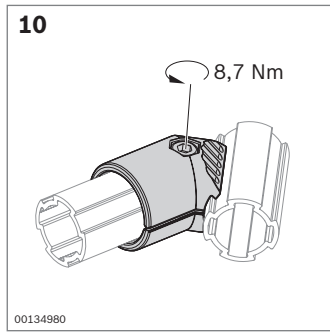


Parallel connector	ESD	No.	FS
	20	3 842 541 183	FS1

Material: Diecast zinc
Scope of delivery: Incl. fastening material (FS)

FS1

ISO 4762	M6x25
ISO 4032	M6

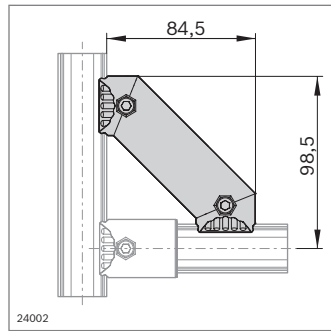
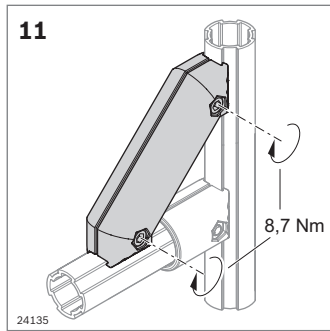


45° connector	ESD	No.	FS
	20	3 842 541 175	FS1

Material: Diecast zinc
 Scope of delivery: Incl. fastening material (FS)

FS1

	ISO 4762 M6x25
	ISO 4032 M6

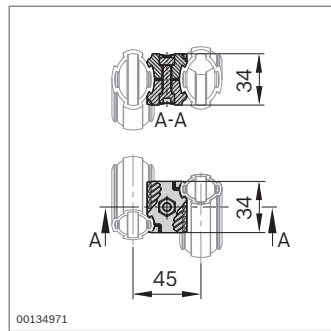
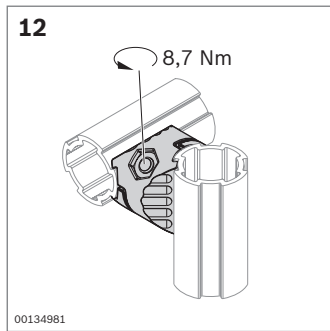


Strut D28L, 45°	ESD	No.	FS
	20	3 842 548 118	2xFS1

Material: Diecast zinc
 Scope of delivery: Incl. fastening material (FS)

FS1

	ISO 4762 M6x25
	ISO 4032 M6

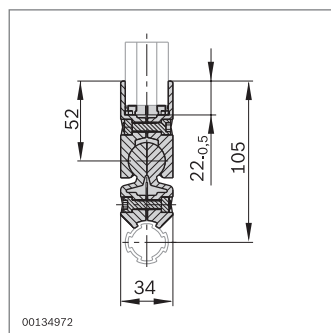
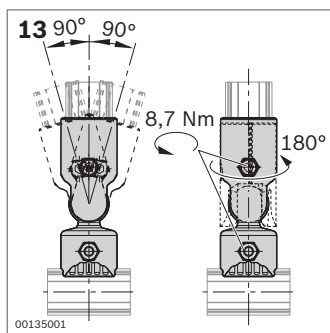


Cross connector	ESD	No.	FS
	20	3 842 541 181	FS1

Material: Diecast zinc
 Scope of delivery: Incl. fastening material (FS)

FS1

	ISO 4762 M6x25
	ISO 4032 M6

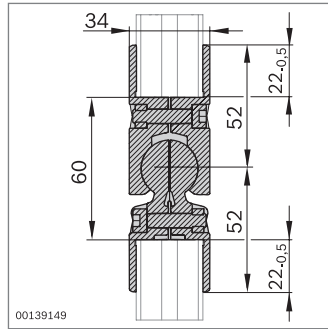
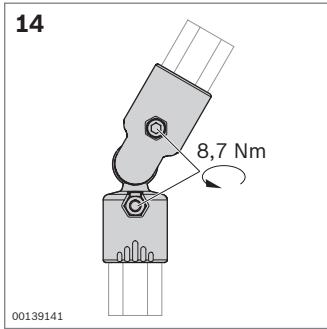


0°-90° connector	ESD	No.	FS
	20	3 842 541 178	2xFS1

Material: Diecast zinc
 Scope of delivery: Incl. fastening material (FS)

FS1

	ISO 4762 M6x25
	ISO 4032 M6

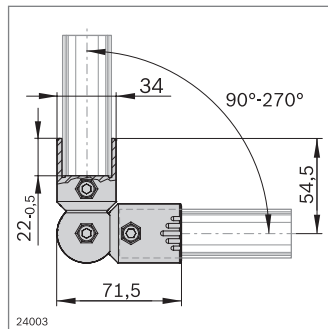
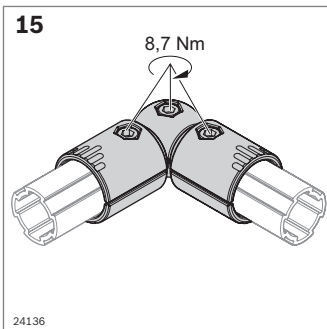


0°-90° D28 connector	ESD	No.	FS
	20	3 842 543 480	2xFS1

Material: Diecast zinc
 Scope of delivery: Incl. fastening material (FS)

FS1

ISO 4762 M6x25
ISO 4032 M6



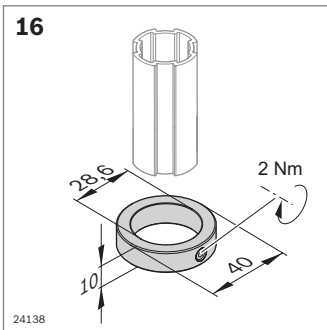
- ▶ Corner bracket D28 for easy adjustment within a 15° range
- ▶ Swivel range: 90°-270°

Corner bracket D28	ESD	No.	FS
	20	3 842 548 123	3xFS1

Material: Diecast zinc
 Scope of delivery: Incl. fastening material (FS)

FS1

ISO 4762 M6x25
ISO 4032 M6

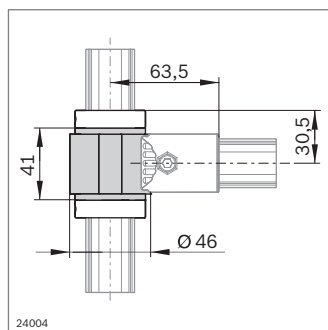
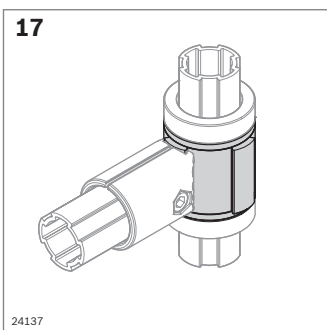


Retaining ring D28L	ESD	No.	FS
	20	3 842 548 122	FS2

Material: Aluminum
 Scope of delivery: Incl. fastening material (FS)

FS2

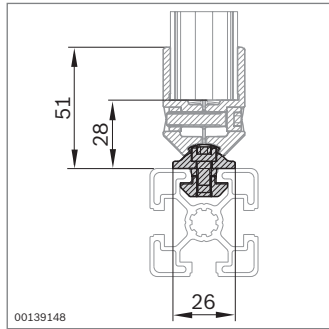
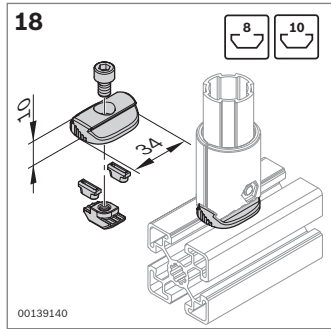
ISO 4026 M6x6



- ▶ For axial shifting along the D28L or D28L, N10 round tube; the retaining ring defines the end position.
- ▶ Construction of swiveling applications

Swivel bearing D28L	No.
20	3 842 548 121

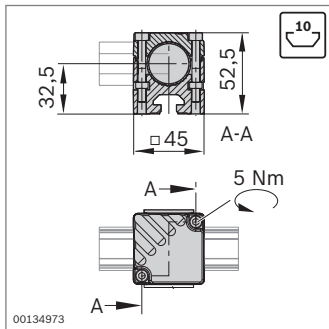
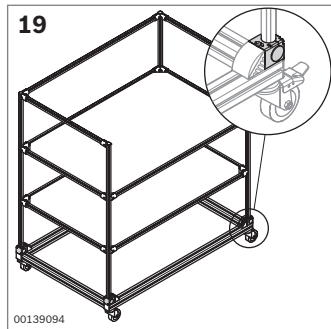
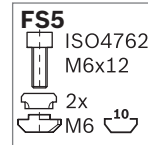
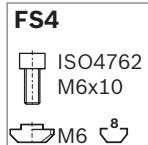
Material: Aluminum,
 Socket: POM; black



- ▶ N8, N10 adapter for connecting an MGE strut profile (8 mm, 10 mm slots)

N8, N10 adapter	ESD	No.	FS
		20	3 842 543 272 FS4, FS5

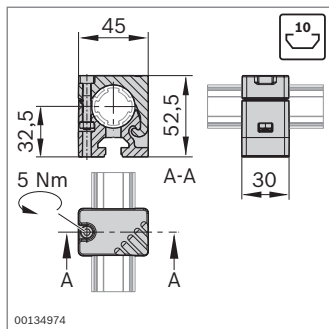
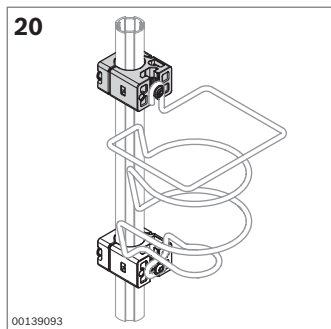
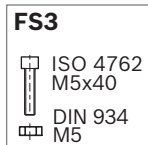
Material: Diecast zinc
 Scope of delivery: Incl. fastening material (FS)



- ▶ N10/45 adapter for connecting D28L or D28L, N10 round tubes to profiles with a 10 mm slot

N10/45 adapter	ESD	No.	FS
		20	3 842 541 187 2xFS3

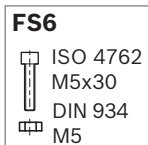
Material: Adapter: Diecast zinc
 Cap: PE
 Scope of delivery: Incl. cap, fastening material (FS)

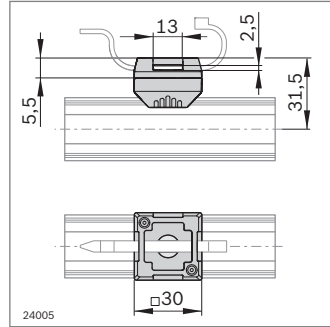
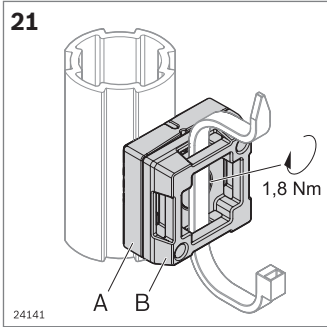


- ▶ N10/30 adapter for mounting light accessories such as a bottle holder to a D28L round tube

N10/30 adapter	ESD	No.	FS
		20	3 842 541 190 FS6

Material: Diecast zinc
 Scope of delivery: Incl. fastening material (FS)

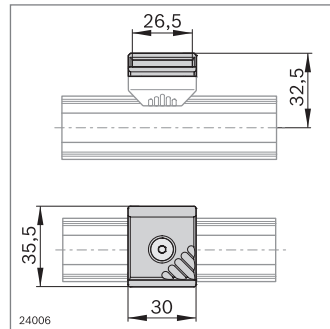
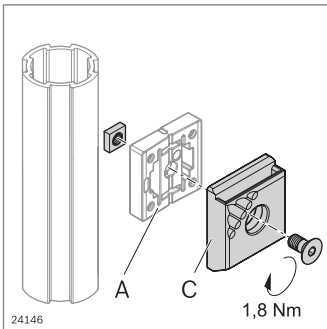
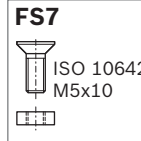




► For attaching cable ties

Adapter fix D28L	ESD	No.	FS
A + B		20 3 842 548 120	FS7

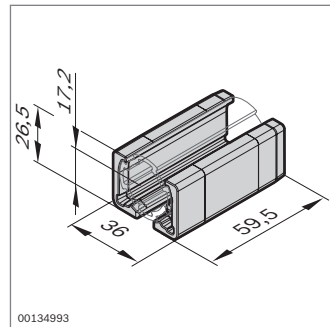
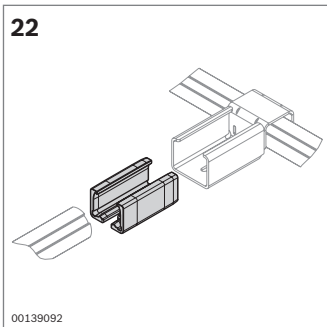
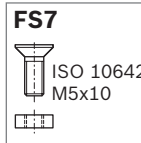
Material: PA66 (conductive); black
Scope of delivery: Incl. fastening material (FS)



► For attaching containers using the container mount

Container mount	ESD	No.	FS
C		10 3 842 544 797	FS7

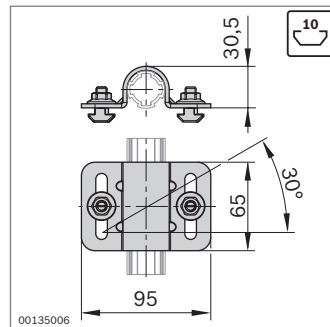
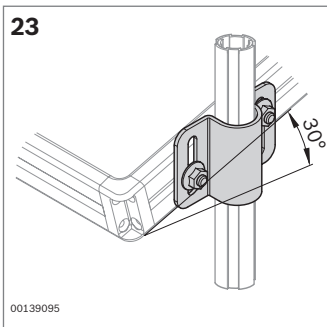
Material: PA66 (conductive); black
Scope of delivery: Incl. fastening material (FS)



► XLean adapter for combination with XLean. The XLean adapter connects the D28L round tube with the XLean rail holder (p. 12-26)

XLean adapter	ESD	No.
		20 3 842 541 296

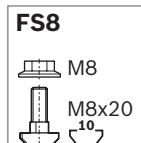
Material: PA66 (conductive); black

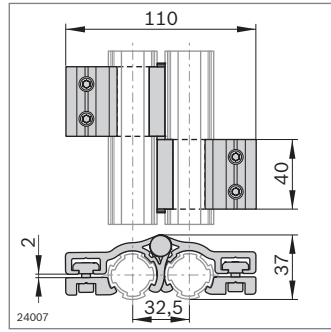
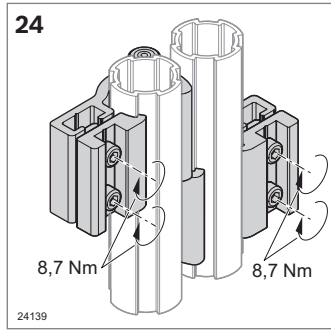


► D28L, N10 tube clamp for fastening material shelves with a 10 mm slot to the D28L round tube; oblique positioning up to 30 degrees is possible

Tube clamp D28L, N10	ESD	No.	FS
		20 3 842 541 193	2xFS8

Material: Steel; galvanized
Scope of delivery: Incl. fastening material (FS)

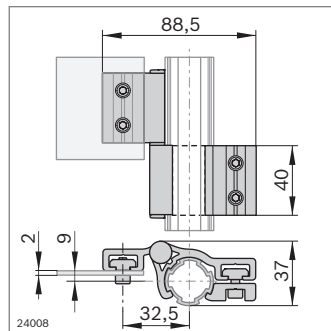
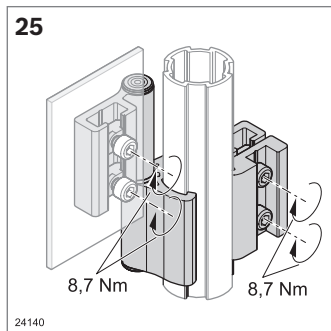
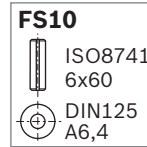
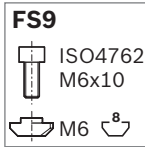




- ▶ Opening angle: 180°
- ▶ For mounting D28L round tube

Hinge D28L/D28L	ESD	No.	FS
	2	3 842 548 126	4xFS9, FS10

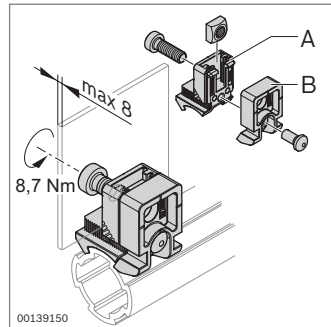
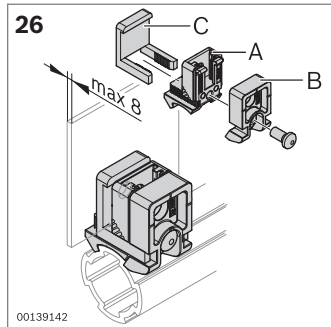
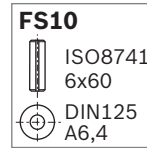
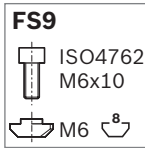
Material: Aluminum
 Scope of delivery: Incl. fastening material (FS)



- ▶ Opening angle: 180°
- ▶ For mounting surface elements

Hinge D28L/-	ESD	No.	FS
	2	3 842 548 127	2xFS9, FS10

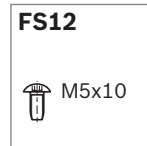
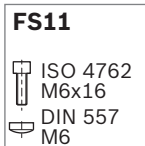
Material: Aluminum
 Scope of delivery: Incl. fastening material (FS)



- ▶ Plastic Variofix block for fastening surface elements with a snap-in clip or screw
- ▶ Variofix remover for releasing the snap-in clip (p. 14-7)

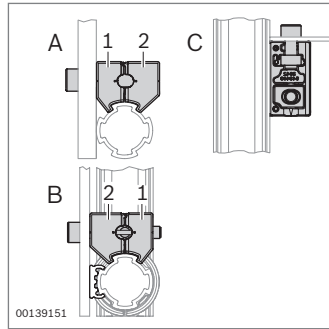
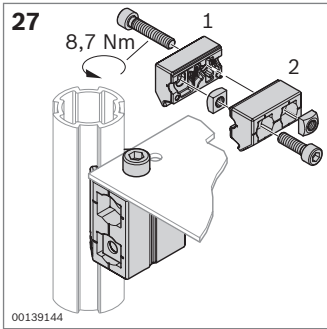
Variofix block PA	No.	FS
A + B	20	3 842 543 311 FS11, FS12

Material: PA66 (conductive); black
 Scope of delivery: Incl. fastening material (FS)



Snap-in clip	No.
C	10 3 842 184 738

Material: PA6; transparent



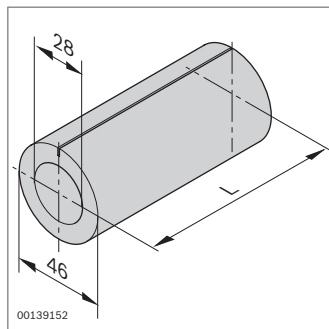
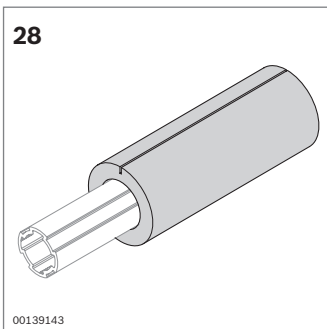
- ▶ Diecast zinc Variofix block for fastening surface elements
- ▶ Three arrangements possible (“A”, “B”, “C”)

Variofix block Zn	ESD	No.	FS
		20 3 842 543 494	FS13

Material: Diecast zinc
 Scope of delivery Incl. fastening material (FS)

FS13

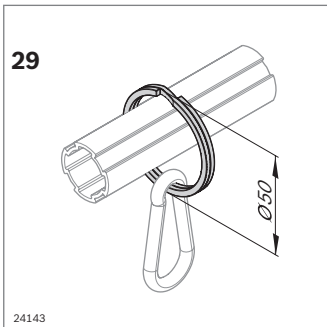
	ISO 4762
	M6x22
	ISO 4762
	M6x30
	DIN 557
2x	M6



- ▶ Bumper for round tube D28 and D28L

Impact protection device	L (mm)	No.
	2000 10	3 842 544 637

Material: PE-LD; gray



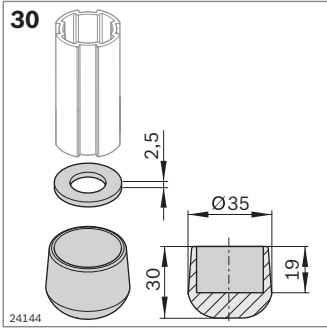
- ▶ For designing simple tool holders

Ring D50	No.
	20 3 842 548 131

Material: Steel; nickel-plated

Spring hook	No.
	1 0 842 901 309

Material: Steel, galvanized

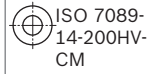


- ▶ Non-slip design of flow racks and stands

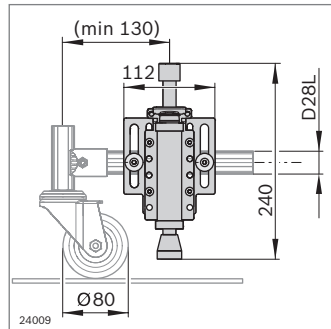
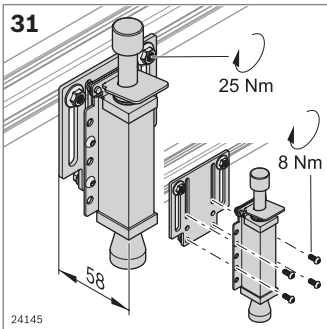
Rubber foot D28	ESD	No.	FS
	20	3 842 548 128	FS14

Material: NR/SBR (conductive); black

FS14



- ▶ To stop material shuttles ergonomically at just one point
- ▶ All-purpose option for attachment to different round tubes and profile cross-sections
- ▶ Clamping travel stopper: 34 mm



Stopper D28L, N10	No.	FS
	3 842 548 132	4xFS15, 2xFS16

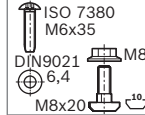
Material: Stopper: stainless steel .EPDM
Attachment plate: aluminum

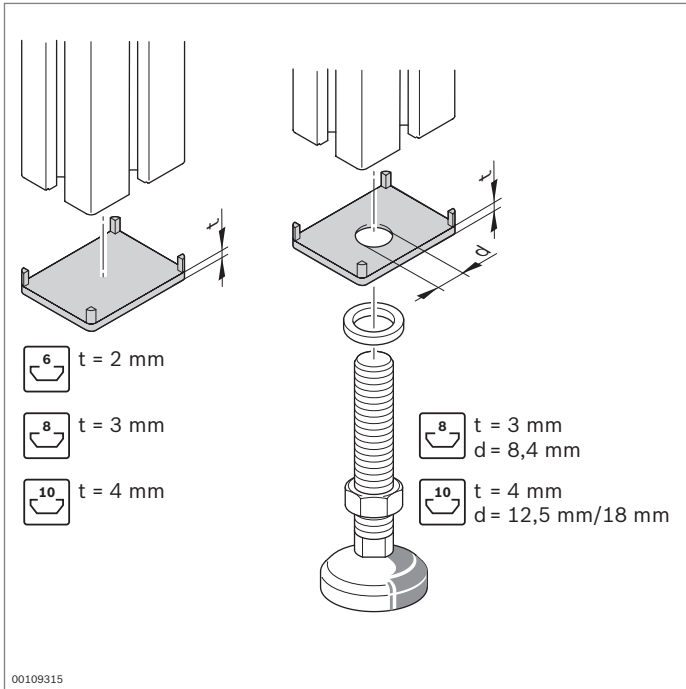
Scope of delivery: Incl. fastening material (FS)

FS15



FS16



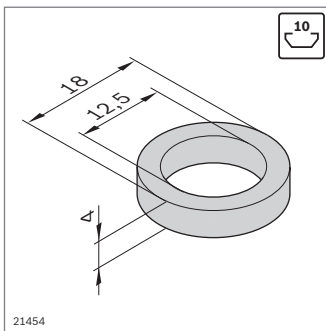


Cap with hole



- ▶ To prevent injuries at open profile ends
- ▶ Attractive design
- ▶ Cap with hole for use with leveling feet and wheels
- ▶ Cap material: PA or PP

Order information for the caps can be found in the profile section

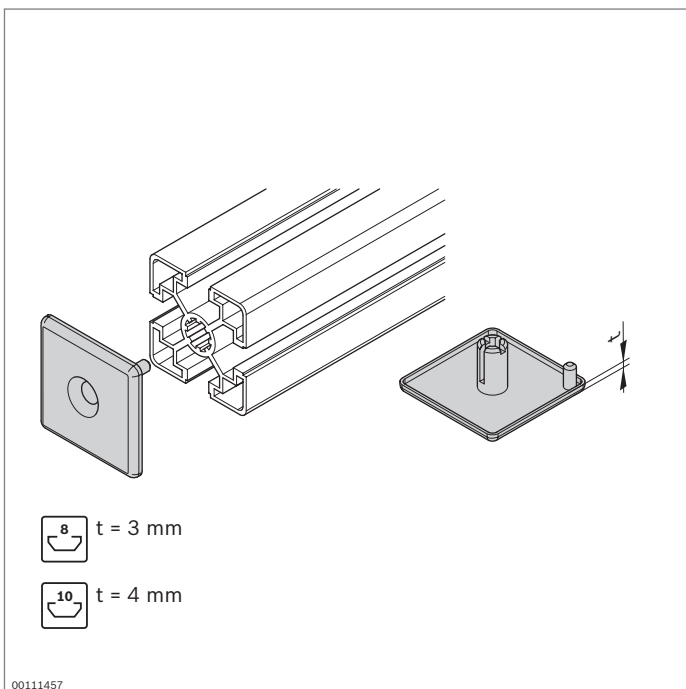


Bearing ring

- ▶ For caps with hole
- ▶ For M12 threads
- ▶ To protect the caps when tightening accessories

Bearing ring	No.
	100 3 842 536 321

Material: stainless steel

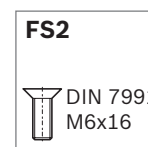


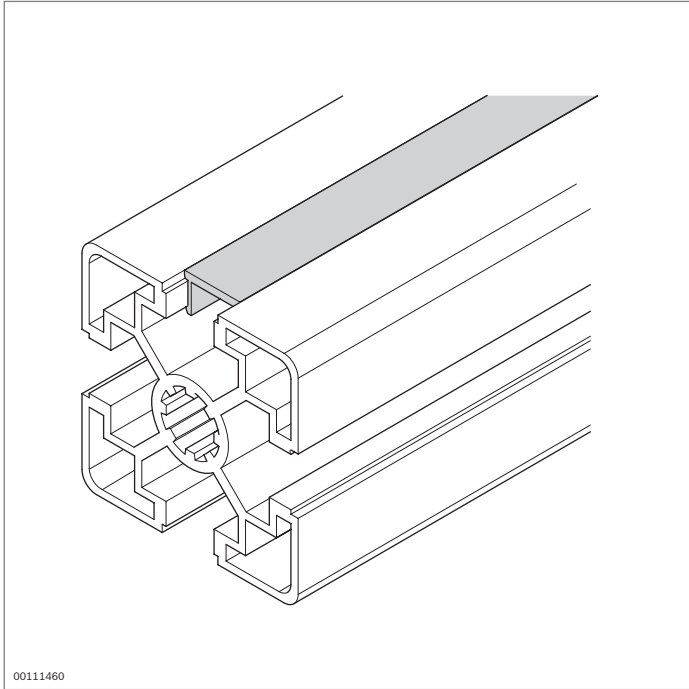
Diecast zinc cover cap

- ▶ Shock-proof
- ▶ Resistant to aggressive media
- ▶ Fastening with countersunk screw; profile finishing not required

Cap	L1xL2	No.	FS
30x30-ZN	30x30	3 842 518 204	FS1
40x40-ZN	40x40	3 842 541 807	FS2
45x45-ZN	45x45	3 842 518 205	FS2

Material: Diecast zinc




























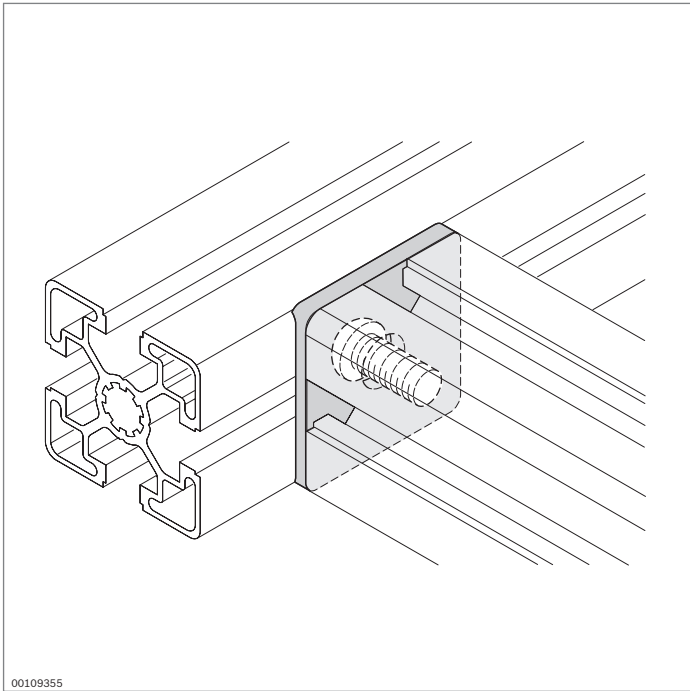


Cover profiles



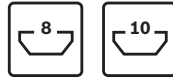
- ▶ For mounting cables
- ▶ To prevent dirt from entering the profile slot
- ▶ Attractive design
- ▶ Soft PVC cover profile for 6 mm slot is provided as a roller
- ▶ Flush with profile
- ▶ An ESD-conductive connection between the cover profile and the strut profile must be ensured through a design solution, e.g. screw

Cover profile, 6 mm slot	Color	Material	ESD	L (mm)		No.
 00109365	Colorless, natural	Aluminum, anodized		2000	10	3 842 523 254
 00117777	Light gray (RAL 7035)	Soft PVC		10000	1	3 842 542 435
Cover profile, 8 mm slot	Color	Material	ESD	L (mm)		No.
 00109366	Colorless, natural	Aluminum, anodized		2000	10	3 842 523 256
 00109367	Signal gray (RAL 7004)	PP		2000	10	3 842 548 878 
	Black (RAL 9005)	PP		2000	10	3 842 548 879 
	Black (RAL 9005)	Hard PVC		2000	10	3 842 501 962 
	Light gray (RAL 7035)	Hard PVC		2000	10	3 842 518 375 
	Red (RAL 3020)	Hard PVC		2000	10	3 842 518 376
	Yellow (RAL 1023)	Hard PVC		2000	10	3 842 518 377 
	Green (RAL 6032)	Hard PVC		2000	10	3 842 549 882
	Blue (RAL 5010)	Hard PVC		2000	10	3 842 538 956
	Orange (RAL 2004)	Hard PVC		2000	10	3 842 538 958
Colorless, transparent	Hard PVC		2000	10	3 842 503 073	
Cover profile, 10 mm slot	Color	Material	ESD	L (mm)		No.
 00109368	Colorless, natural	Aluminum, anodized		2000	10	3 842 523 258 
 19502	Signal gray (RAL 7004)	Hard PVC		2000	10	3 842 548 876 
	Black (RAL 9005)	Hard PVC		2000	10	3 842 548 877 
	Black (RAL 9005)	Hard PVC		2000	10	3 842 146 901 
	Light gray (RAL 7035)	Hard PVC		2000	10	3 842 518 367 
	Red (RAL 3020)	Hard PVC		2000	10	3 842 518 368
	Yellow (RAL 1023)	Hard PVC		2000	10	3 842 518 369 
	Green (RAL 6032)	Hard PVC		2000	10	3 842 549 888
	Blue (RAL 5010)	Hard PVC		2000	10	3 842 538 955
	Orange (RAL 2004)	Hard PVC		2000	10	3 842 538 957
Colorless, transparent	Hard PVC		2000	10	3 842 191 182	

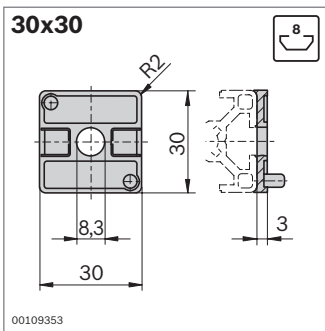


00109355

Radial compensation

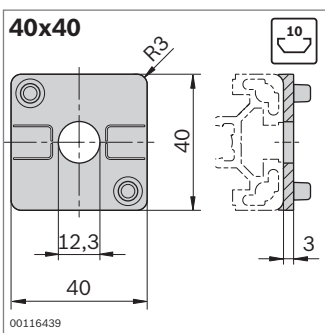


- ▶ For avoiding gaps and sharp edges on T-connections between two profiles using a central bolt or quick connector (note spacing of hole from the end of the profile)
- ▶ Slot segments can be broken out to support surface elements in the slot
- ▶ Important note: the load carrying capacity of the profile connection is reduced when using radial compensation (see “Technical data”, page 19-12)!



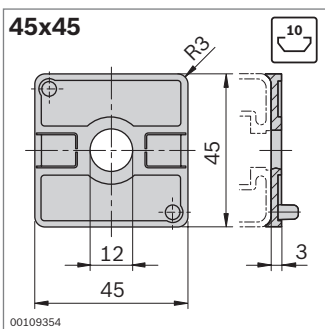
Radial compensation	Slot		No.
30x30	8	10	3 842 524 415

Material: PA; light gray RAL 7035



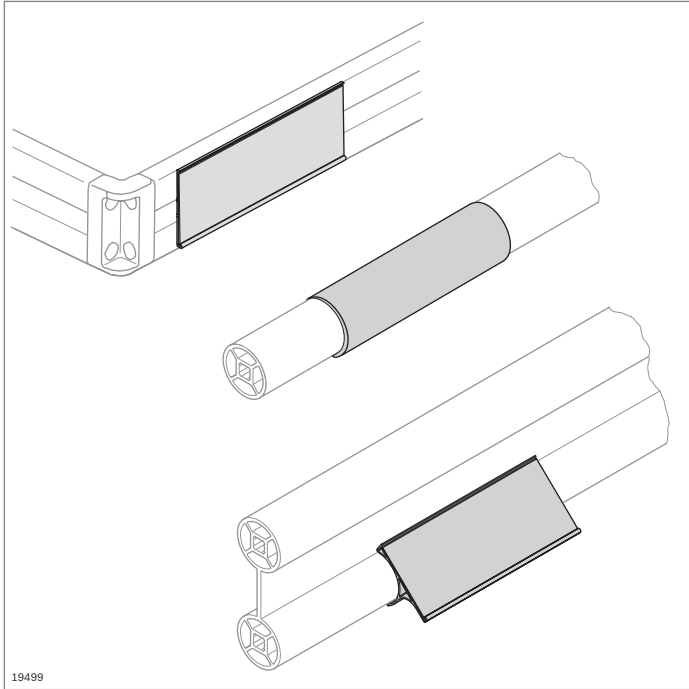
Radial compensation	Slot		No.
40x40	10	10	3 842 529 026

Material: PA; light gray RAL 7035



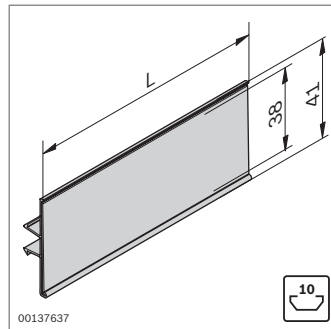
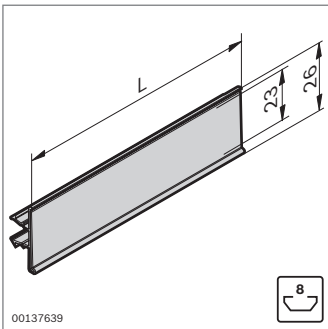
Radial compensation	Slot		No.
45x45	10	10	3 842 524 414

Material: PA; light gray RAL 7035



Lettering clips

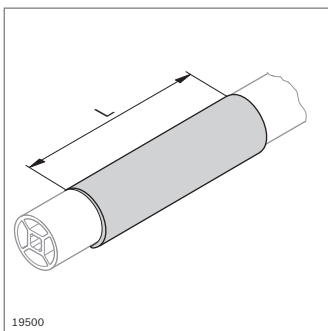
- For labeling profiles and tubular cross ties



- Lettering clip for strut profiles with 8 mm and 10 mm slot

Lettering clip	Slot	L (mm)		No.
	8	2000	20	3 842 537 113
	8	102	20	3 842 537 650
	10	2000	20	3 842 537 116
	10	102	20	3 842 537 651

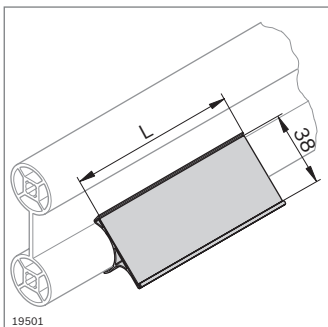
Material: Hard PVC, light gray (RAL 7035), transparent



- Self-adhesive
- Lettering clip with rounded text surface for strut profiles D28; D28L; D28L, N10, and D28x55
- Label height 38 mm

Lettering clip	L (mm)		No.
For tubular cross ties	2000	20	3 842 535 136
	120	20	3 842 538 093

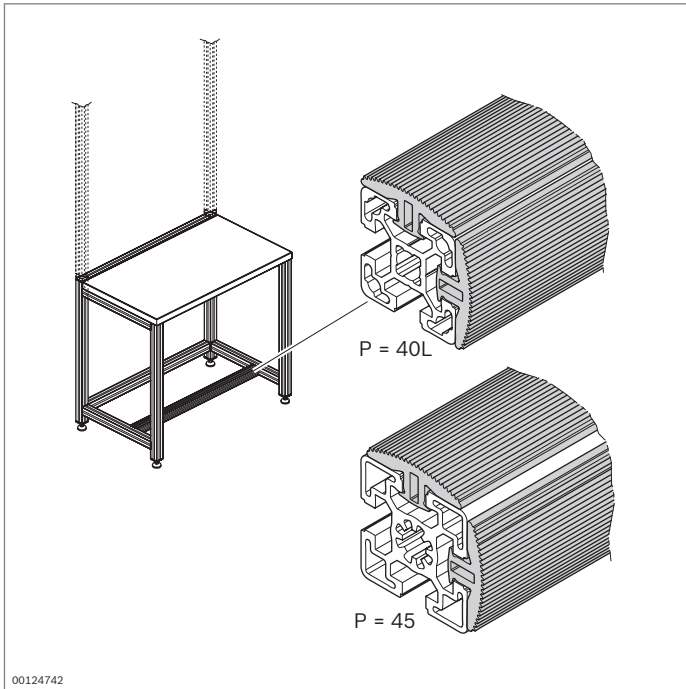
Material: Hard PVC, colorless, transparent



- Self-adhesive
- Lettering clip with flat text surface for strut profiles D28; D28L; D28L, N10, and D28x55

Lettering clip	L (mm)		No.
For tubular cross ties	2000	20	3 842 537 119
	120	20	3 842 537 652

Material: Hard PVC, light gray (RAL 7035), transparent



Rubber profile Cloth holder

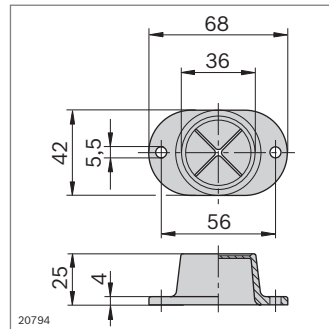
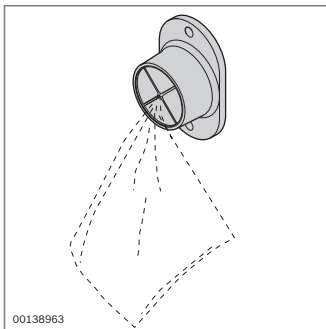


Rubber profile

- ▶ To avoid impact on hard edges, such as when setting down impact-sensitive products
- ▶ For use as footrest to clip in from top and front on the cross strut of the workstation
- ▶ Very simple and inexpensive
- ▶ Suitable for the construction of ESD workstations

Rubber profile	L (mm)	ESD	No.
	30 ... 2000		1 3 842 994 979 / L
	2000		10 3 842 537 135

Material: EPDM; conduction resistance
RA = 1x10³ – 1x10⁹ Ω



Screwed-on cloth holder

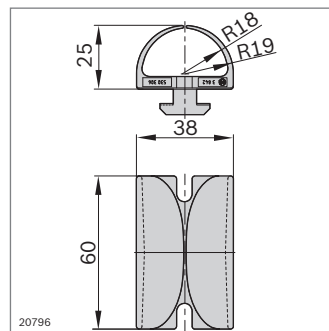
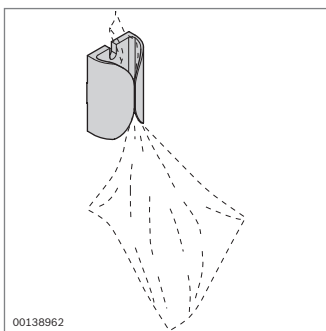
- ▶ For hanging cleaning cloths

Required accessories:

- ▶ T-nut, 10 mm slot, M5 (**3 842 530 283**) (p. 3-5)
- ▶ Screw DIN 7984 M5x12

Screwed-on cloth holder	No.
	1 845 719 000

Material: PE; black



Cloth holder with clamp base

- ▶ With injection molded clamp base for direct assembly on strut profile with 10 mm slot
- ▶ Can also be used as a cable guide

Cloth holder with clamp base	No.
	3 842 530 306

Material: PA6, black

Connection elements



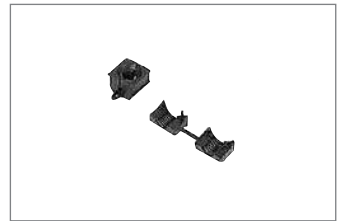
T-nut (p. 3-4)
Collar screw (p. 3-6)



Flange nut, T-bolt (p. 3-7)



Sliding block (p. 3-10)



Straddling nut (p. 3-12)



Parallel connector (p. 3-13)



Tensioning connector
(p. 3-14)



Inner bracket (p. 3-15)
Inner bracket R (p. 3-16)



Miter bracket (p. 3-18)



Bracket (p. 3-19)



Bracket R (p. 3-30)



Steel bracket (p. 3-32)



Metal bracket, Supporting
bracket (p. 3-33)



Foundation bracket (p. 3-34)



Holder AL (p. 3-35)



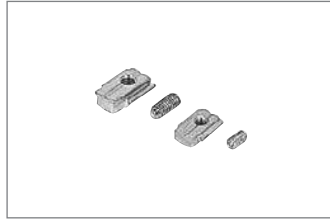
Supporting bracket AL
(p. 3-37)



Profile connector (p. 3-39)



Central bolt (p. 3-40)



Anti-torsion element (p. 3-41)



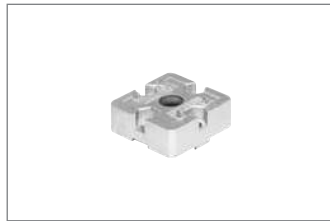
Cubic connector (p. 3-42)



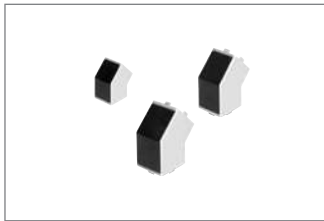
Corner bracket (p. 3-46)



End connector (p. 3-48)



T-connector (p. 3-50)



Connector 45° (p. 3-52)



Quick connector (p. 3-53)



Quick connector, bendable (p. 3-56)



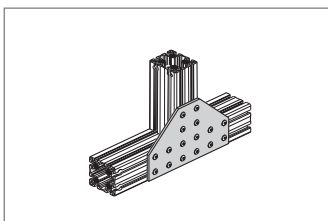
Longitudinal end connector (p. 3-58)



Bolt connector (p. 3-59)



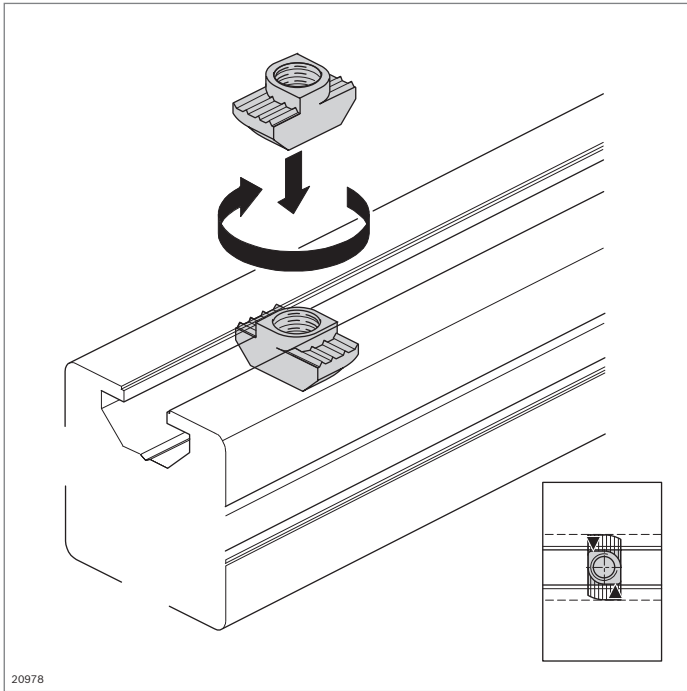
Transverse connector (p. 3-61)



Joining plates (p. 3-62)

Connection elements, selection criteria

	recommended suitable unsuitable	Bracket	Inner bracket	Bolt connector	Central bolt	Quick connector	T-connector	Tensioning connector
High feed force								
High moment								
High torsional moment								
Minimal finishing work								
Minimal assembly								
Low parts costs								
Subsequent mounting in closed frame								
Adjustment possible								
Support of surface elements								
Internal connection (concealable)								



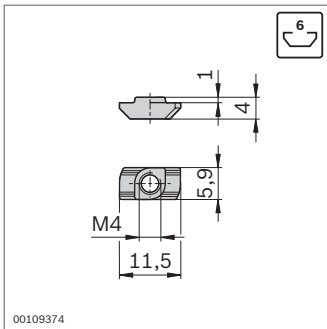
T-nut

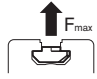





- ▶ Standard element for secure, conductive connections
- ▶ Stop for correct positioning in the profile slot
- ▶ Stainless steel T-nut, e.g. for outdoor or cleanroom applications
- ▶ Profile machining: not required

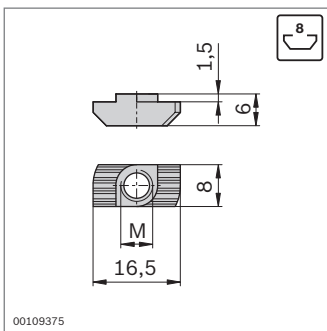
Technical data (p. 19-5)

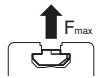
Accessories:
insulating cap (p. 3-5)









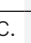

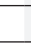
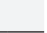


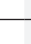

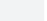


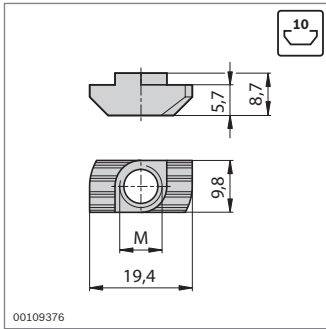
Slot	
6	1700 N

T-nut, 6 mm slot	Slot	M	ESD	No.
Steel, galvanized	6	M4		100 3 842 523 135 
Stainless steel	6	M4		100 3 842 536 599



Slot	
8 (M6)	4000 N

T-nut, 8 mm slot	Slot	M	ESD	No.
Steel, galvanized	8	M4		100 3 842 501 751 
		M5		100 3 842 501 752 
		M6		100 3 842 501 753 
		8-32 U.N.C.		1 8 981 016 122 
		10-32 U.N.F.		1 8 981 016 123 
		1/4"x20 U.N.C.		1 8 981 016 124 
Steel, stainless	8	M4		100 3 842 536 600
		M5		100 3 842 536 601
		M6		100 3 842 536 602
Steel, nickel-plated	8	M6		1 8 981 020 861 



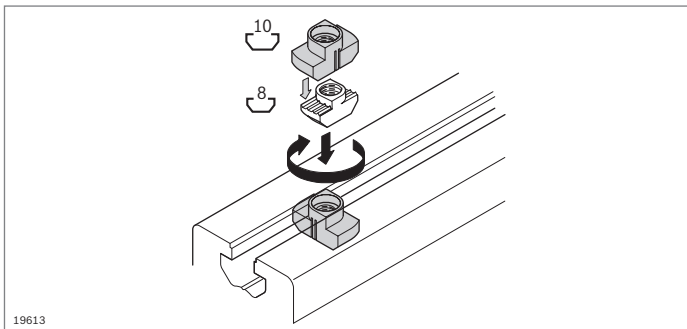
00109376

Slot	
10 (M8)	6000 ... 18000 N ¹⁾

¹⁾ Depending on profile (p. 19-5)

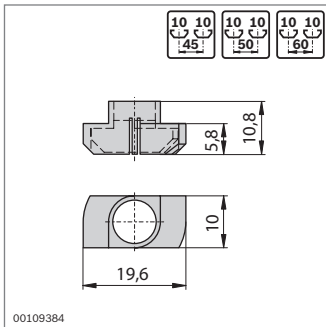
T-nut, 10 mm slot	Slot	M	ESD	No.
Steel, galvanized	10	M4		100 3 842 530 281
		M5		100 3 842 530 283
		M6		100 3 842 530 285
		M8		100 3 842 530 287
		8-32 U.N.C.		1 8 981 021 321
		10-32 U.N.F.		1 8 981 021 322
		1/4"x20 U.N.C.		1 8 981 021 323
		5/16"x18 U.N.C.		1 8 981 021 324
Steel, stainless	10	M4		100 3 842 536 606
		M5		100 3 842 536 605
		M6		100 3 842 536 604
		M8		100 3 842 536 603
Steel, nickel-plated	10	M8		1 8 981 019 580

3



19613

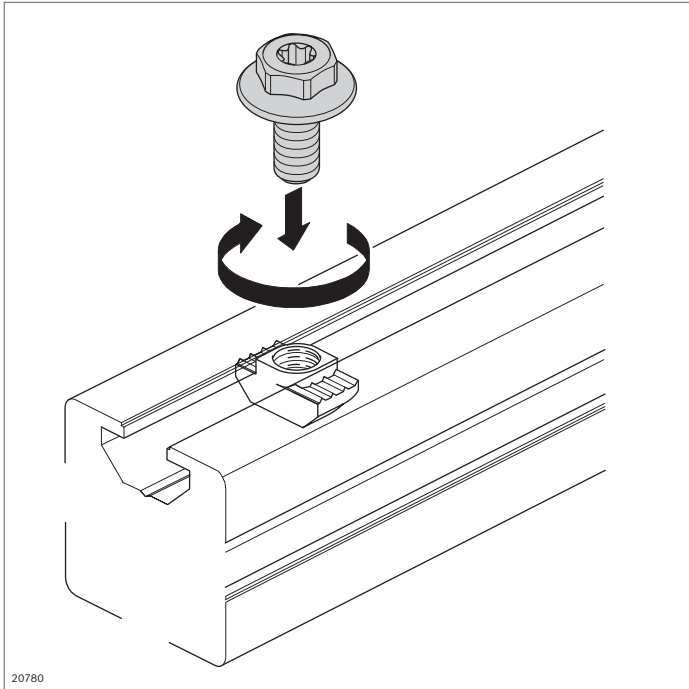
- Insulating cap for decoupling directly grounded components; for use with T-nuts for 8 mm slots in a 10 mm slot



00109384

Insulating cap for T-nut, 8 mm slot	Slot	No.
	10	10 3 842 524 012

Material: high-strength PA, black



Collar screw



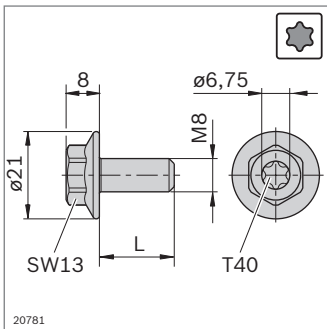
- ▶ Collar screw with multi-function head for tightening with ring/open-end wrench (WS 13) or Torx screwdriver (T40)
- ▶ Machine threading possible
- ▶ Preferably for bracket fastening
- ▶ Quick and simple assembly
- ▶ Excellent force transmission via broad flange
- ▶ ESD-capable
- ▶ Polymer spot for precise positioning of T-nut

Tool:

Offset screwdriver Torx® (p. 14-6)

Accessories:

T-nut (p. 3-4)

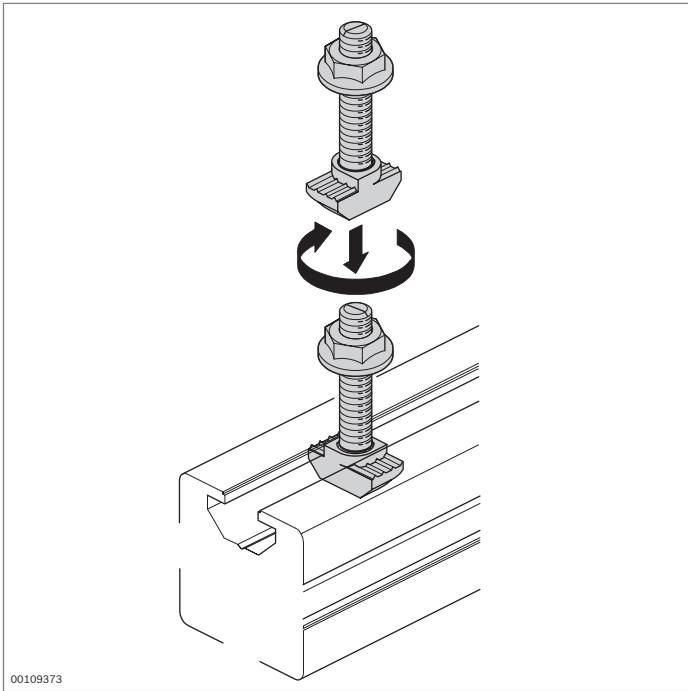


Collar screw	M	L (mm)	ESD	No.
M8x18-SW13-T40¹⁾	M8	18	ESD	3 842 541 246
M8x20-SW13-T40²⁾	M8	20	ESD	3 842 541 409

¹⁾ For 40/40 and 60/60 brackets

²⁾ For all other brackets for 10 mm slot

Material: Steel, galvanized



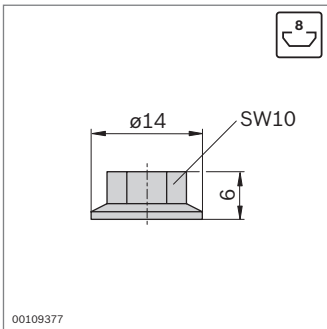
00109373

Flange nut T-bolt, T-bolt Fastening Kits

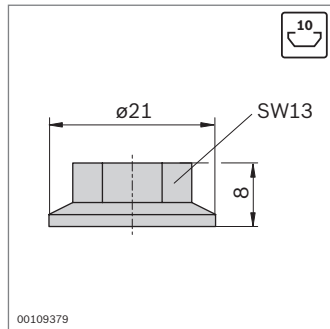


- ▶ Secure, conductive connection
- ▶ Notch at bolt end as marker for correct position identification
- ▶ Profile machining: not required

Technical data (p. 19-5)



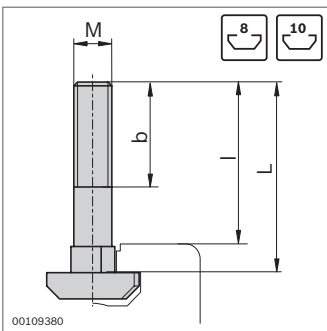
00109377



00109379

Flange nut	Slot	M	ESD	No.
	8	M6		100 3 842 523 925
		1/4-20		1 8 981 021 465
	10	M8		100 3 842 345 081
		5/16-18		1 8 981 021 464

Material: Steel, galvanized



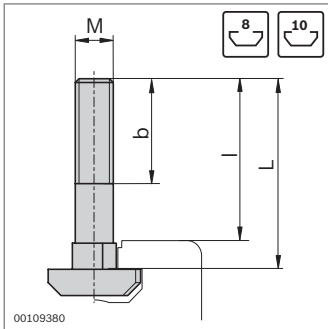
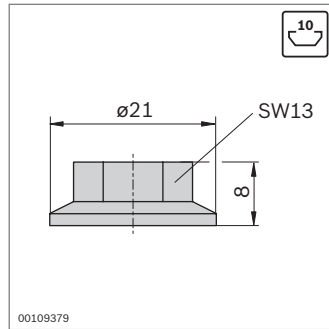
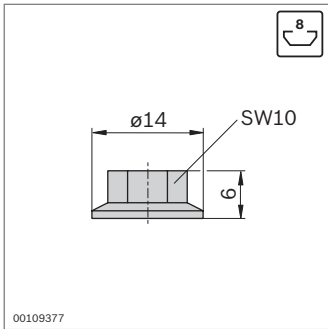
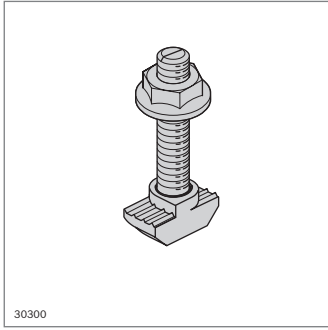
00109380

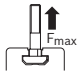
Slot	
8	4000 N
10	6000 ... 18000 N ¹⁾

¹⁾ Depending on profile (p. 19-5)

T-bolt	Slot	MxL	b (mm)	l (mm)	ESD	No.
8		M6x16	10	14		100 3 842 523 920
		M6x20	14	18		100 3 842 523 921
		M6x25	18	23		100 3 842 523 922
10		M8x20	14	14		100 3 842 528 715
		M8x25	19	19		100 3 842 528 718
		M8x30	24	24		100 3 842 528 721
		M8x40	22	34		100 3 842 528 724
		M8x50	22	44		100 3 842 528 727

Material: Steel, galvanized



























Slot	
8	4000 N
10	6000 ... 18000 N ¹⁾

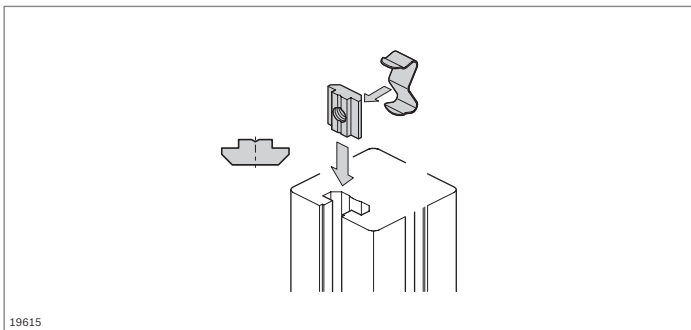
¹⁾ Depending on profile (p. 19-5)

T-Bolt Fastening Kits

► Include T-bolt and flange nut

Slot	MxL	b (mm)	l (mm)	ESD 	No.	
8	M6x16	10	14		1	8 981 019 577 
	M6x20	14	18		1	8 981 019 578 
	M6x25	18	23		1	8 981 019 579 
10	M8x16	14	14		1	8 981 021 342 
	M8x21	19	19		1	8 981 021 343 
	M8x26	24	24		1	8 981 021 344 
	M8x36	22	34		1	8 981 021 345 
	M8x46	22	44		1	8 981 021 346 
	M8x56	22	54		1	8 981 021 347 
	5/16-18x3/4	13	16		1	8 981 021 554 
	5/16-18x1	16	19		1	8 981 021 555 

Material: Steel, galvanized



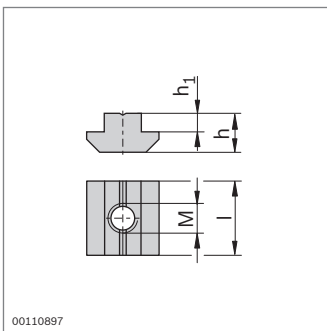
19615

Sliding block, sliding block profile



- ▶ Sliding block for reliable absorption of high forces
- ▶ Sliding block profile for self-assembly of individual fastening elements
- ▶ Profile machining: not required
- ▶ The spring assists with the assembly and positioning of the sliding block and swivel-in sliding block (p. 3-10)

Technical data (p. 19-5)



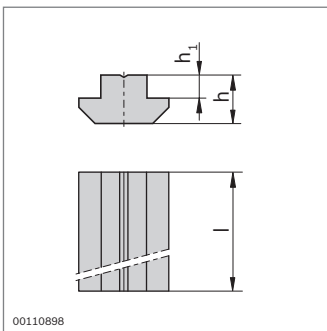
00110897

Slot	
6 (M5)	3 000 N
8 (M8)	6 000 N
10 (M8)	8 000 ... 24 000 N ¹⁾

¹⁾ Depending on profile (p. 19-5)

Sliding block	Slot	M	h (mm)	h ₁ (mm)	l (mm)	ESD	No.
Steel, galvanized	6	M4	4.0	1.0	12		100 3 842 542 692
		M5	4.0	1.0	12		100 3 842 542 693
	8	M4	6.0	2.0	16		100 3 842 514 928
		M5	6.0	2.0	16		100 3 842 514 929
		M6	6.0	2.0	16		100 3 842 514 930
		M8	6.0	2.0	16		100 3 842 514 931
	10	M5	10.5	5.0	20		100 3 842 528 741
		M6	10.5	5.0	20		100 3 842 528 738
		M8	10.5	5.0	20		100 3 842 528 735
Steel, stainless	6	M4	4.0	1.0	20		100 3 842 523 140
		M5	4.0	1.0	20		100 3 842 523 142
	8	M4	6.0	2.0	16		100 3 842 547 817
		M5	6.0	2.0	16		100 3 842 547 816
		M6	6.0	2.0	16		100 3 842 547 815
		M8	6.0	2.0	16		100 3 842 547 814
	10	M5	10.5	5.0	20		100 3 842 547 813
		M6	10.5	5.0	20		100 3 842 547 812
		M8	10.5	5.0	20		100 3 842 547 811

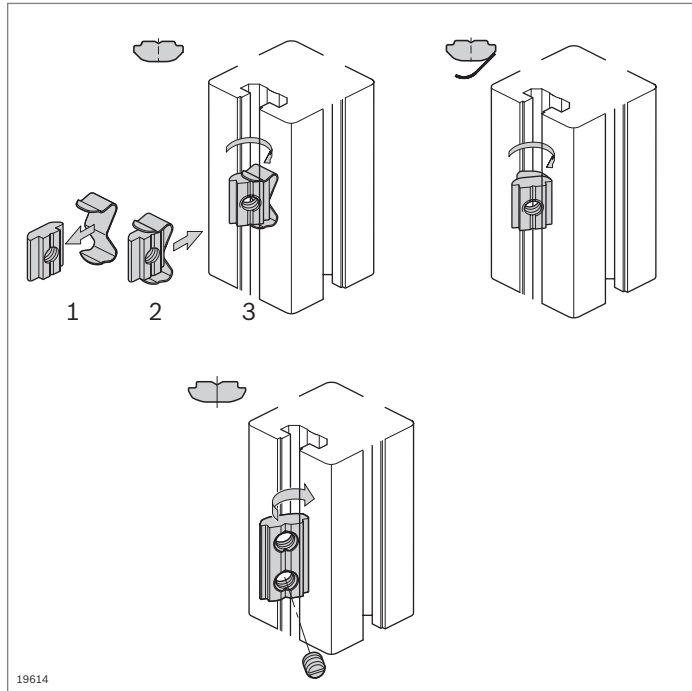
Accessories: Spring (p. 3-11)



00110898

Sliding block profile	Slot	h (mm)	h ₁ (mm)	l (mm)	No.
Steel, galvanized	6	4.0	1.0	1000	3 842 542 694
	8	6.0	2.0	1000	3 842 510 078
	10	10.5	5.0	1000	3 842 528 744
Steel, stainless	6	4.0	1.0	1000	3 842 523 438

Accessories: Spring (p. 3-11)

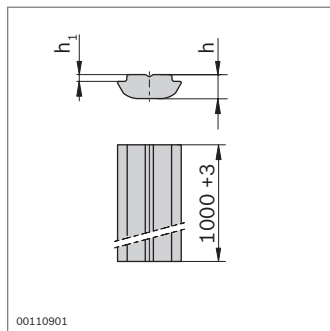


Sliding block, swivel-in sliding block profile, swivel-in spring



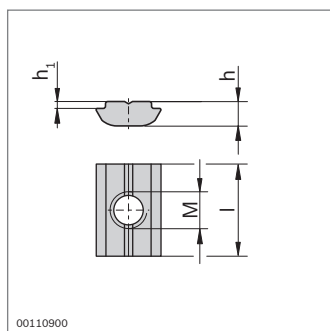
- ▶ Swivel-in sliding block profile for self-assembly of individual fastening elements
- ▶ The swivel-in sliding block can be inserted directly at the assembly point for easy assembly
- ▶ The swivel-in sliding block with spring can be inserted directly at the assembly point and fixed in position thanks to attached springs
- ▶ The swivel-in sliding block with headless setscrews permits shake-proof fixing in all positions
- ▶ Profile machining: not required

Technical data (p. 19-5)



Slot	
8 (M8)	2 200 N
10 (M8)	8 000 ... 18 000 N ¹⁾

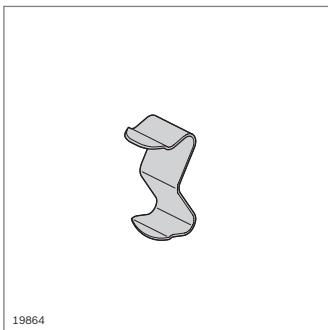
¹⁾ Depending on profile (p. 19-5)



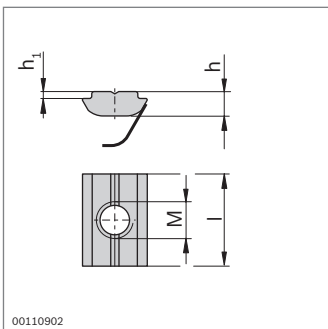
Sliding block profile, swivel-in	Slot	h (mm)	h ₁ (mm)	l (mm)	No.
Steel, galvanized	8	4.8	1.0	1000	3 842 529 327
	10	5.3	1.5	1000	3 842 529 325

Sliding block, swivel-in	Slot	M	h (mm)	h ₁ (mm)	l (mm)	ESD	No.	
Steel, galvanized	8	M5	4.8	1.0	16		100 3 842 529 319	
		M6	4.8	1.0	16		100 3 842 529 320	
		M8	4.8	1.0	16		100 3 842 529 321	
	10	M6	5.3	1.5	20		100 3 842 529 323	
		M8	5.3	1.5	20		100 3 842 529 324	
		1/4-20	5.3	1.5	20		1 8 981 021 441	
		5/16-18	5.3	1.5	20		1 8 981 021 440	
10-32	5.3	1.5	20		1 8 981 021 442			
Steel, stainless	6	M3	3.0	0.9	12		100 3 842 547 826	
		M4	3.0	0.9	12		100 3 842 536 669	
		M5	3.0	0.9	12		100 3 842 547 825	
	8	M6	4.8	1.0	16		100 3 842 530 321	
		10	M8	5.3	1.5	20		100 3 842 530 316

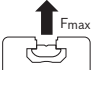
Accessories: Spring (p. 3-11)



19864



























00110902

Slot	
8 (M8)	2 200 N
10 (M8)	8 000 ... 18 000 N ¹⁾

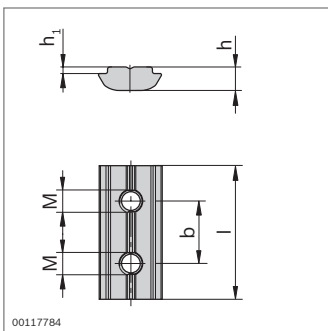
¹⁾ Depending on profile (p. 19-5)

► The spring assists with the assembly and positioning of the sliding block and swivel-in sliding block

Spring	Slot		No.
Spring steel, stainless	6	100	3 842 523 145 
	8	100	3 842 516 685 
	10	100	3 842 516 669 

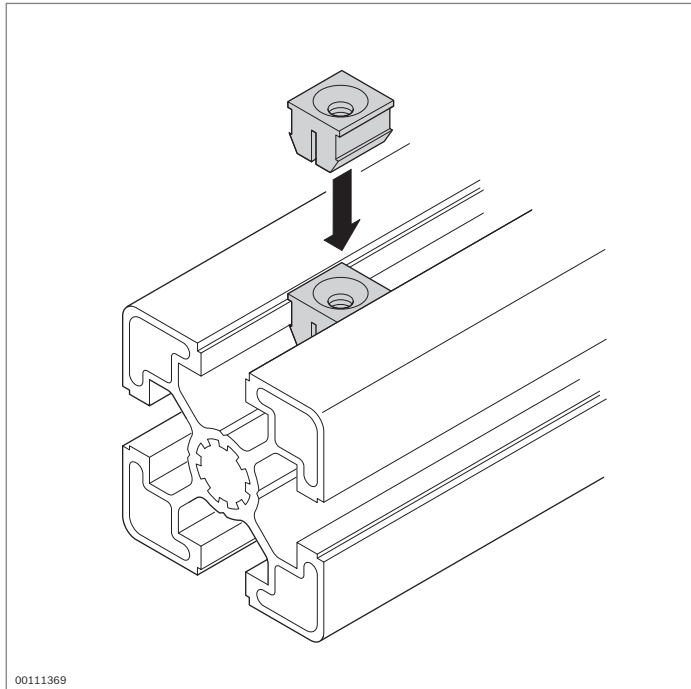
Swivel-in sliding block with spring	Slot	M	h (mm)	h ₁ (mm)	l	ESD 	No.
Steel, galvanized	8	M4	4.8	1.0	16		100 3 842 529 294
		M5	4.8	1.0	16		100 3 842 529 295
		M6	4.8	1.0	16		100 3 842 529 296 
		M8	4.8	1.0	16		100 3 842 529 297 
	10	M4	5.3	1.5	20		100 3 842 541 393
		M5	5.3	1.5	20		100 3 842 529 298
		M6	5.3	1.5	20		100 3 842 529 299 
		M8	5.3	1.5	20		100 3 842 529 300 
Steel, stainless	8	M4	4.8	1.0	16		100 3 842 547 824
		M5	4.8	1.0	16		100 3 842 547 823
		M6	4.8	1.0	16		100 3 842 547 822
		M8	4.8	1.0	16		100 3 842 547 821
	10	M5	5.3	1.5	20		100 3 842 547 808
		M6	5.3	1.5	20		100 3 842 547 807
		M8	5.3	1.5	20		100 3 842 547 806

Material: Spring: spring steel, stainless



00117784

Sliding block, swivel-in, with headless setscrew	Slot	M	b (mm)	h (mm)	h ₁ (mm)	l	No.
Steel, galvanized	8	M5	12	4.8	1.0	24	100 3 842 536 675
	10	M5	14	5.3	1.5	30	100 3 842 536 676
Steel, stainless	6	M4	8	3.0	0.9	15	100 3 842 536 673



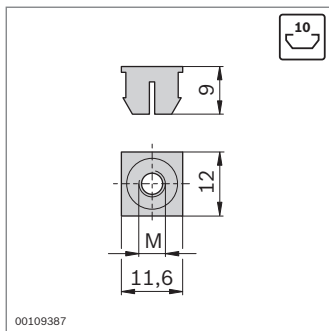
Straddling nut



- ▶ For attaching light accessories such as cable fasteners or rings
- ▶ Easy assembly by clipping into the profile groove
- ▶ Profile machining: not required

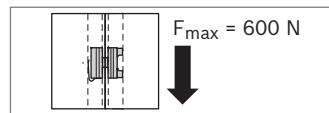
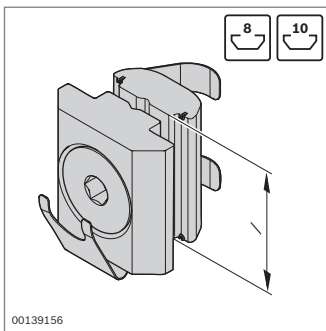
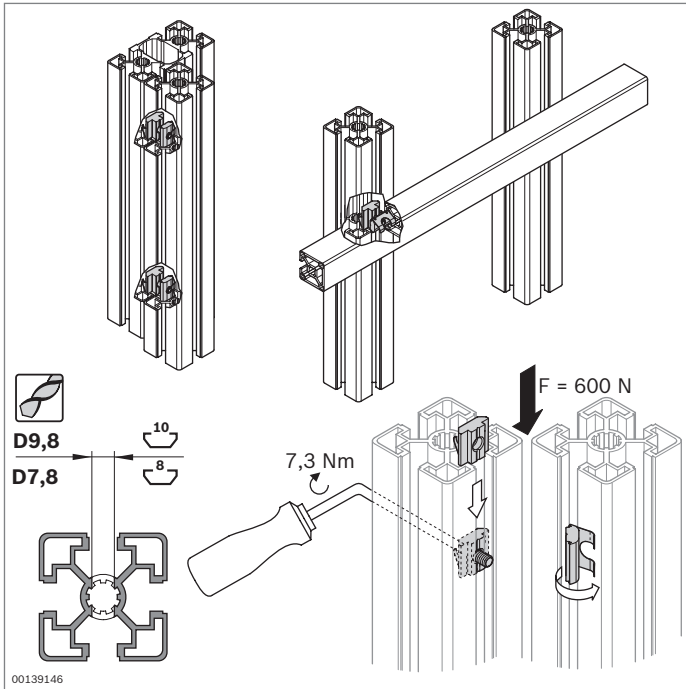
Accessories, required:

Countersunk screw



Straddling nut	Slot	M	No.	
	10	M4	100	3 842 111 987
		M5	100	3 842 111 988
		M6	100	3 842 111 989

Material: PA; black



Parallel connector

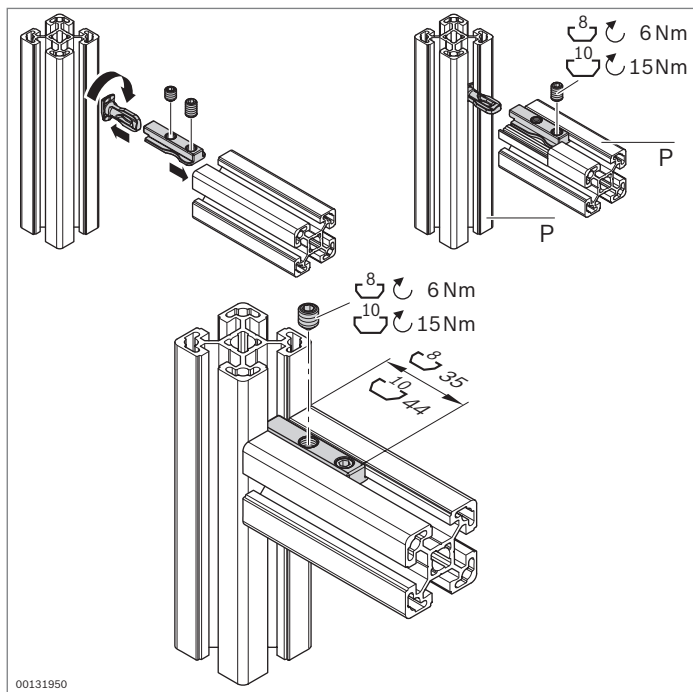


- ▶ For a gap-free connection between two strut profiles, parallel to the axis or at any angle
- ▶ Parallel connector consisting of two sliding blocks with welded springs for simple assembly
- ▶ Attractive-looking interior connection, e.g. for material shelves
- ▶ Connection possible in any position
- ▶ Transferable displacement force per parallel connector: 600 N
- ▶ Profile machining: through-hole

Parallel connector	Slot	I (mm)	No.
	8	16 10	3 842 542 737
	10	20 10	3 842 542 736

Material: Sliding block: steel, galvanized
 Spring: spring steel, stainless

Scope of delivery: Sliding block with spring, swivel-in sliding block with spring, countersunk screw M5



00131950

Tensioning connector



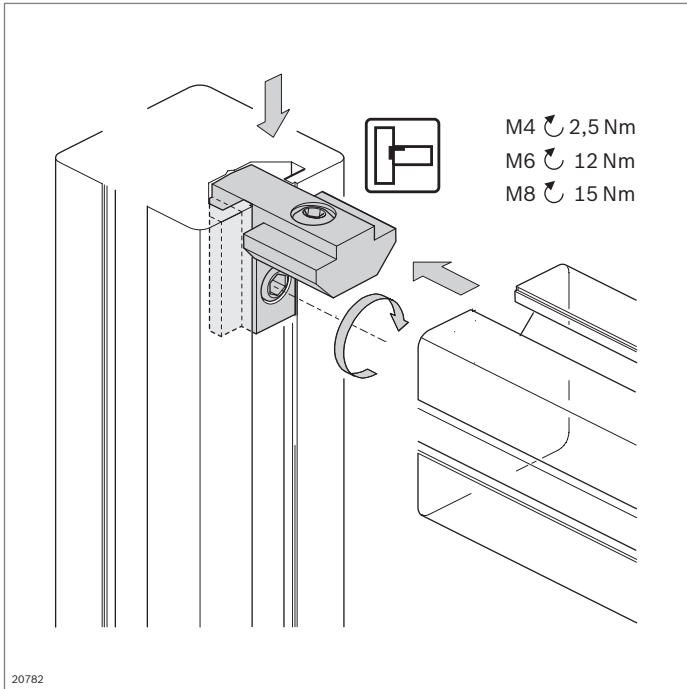
- ▶ Tensioning connector for fast assembly
- ▶ The connector can be moved within the slot
- ▶ Easily accessible screws
- ▶ Three slots are left free for mounting surface elements
- ▶ Profile machining: not required

Technical data (p. 19-8)

P			
30x...	1000 N	35 Nm	15 Nm
45x...L	3500 N	110 Nm	30 Nm
40x..., 45x..., 50x..., 90x...	3500 N	110 Nm	30 Nm
60x...	3500 N	195 Nm	60 Nm

Tensioning connector	Slot	P	ESD		No.
8	8	30x...		10	3 842 538 489
10L	10	45x...L		10	3 842 538 491
10	10	40x..., 45x..., 50x..., 60x..., 90x...		10	3 842 538 490

Material: Steel, galvanized

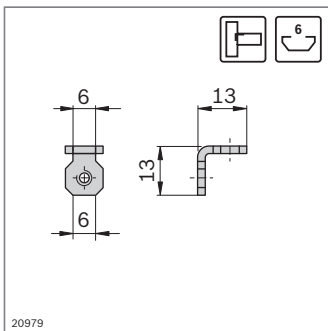


Inner bracket



- ▶ For elegant, easy-to-assemble profile connections
- ▶ Especially suitable for constructing door frames, protective grilles, or partition walls
- ▶ The inner bracket, 6 mm slot, can also be used as an inner bracket R, 6 mm slot
- ▶ Profile machining: not required

Technical data (p. 19-9)

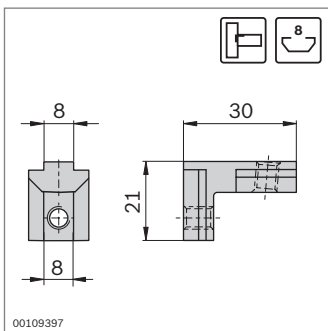


FS1
 DIN 915
M4x6

Inner bracket	Slot	ESD	No.	FS
	6 / 6		10	3 842 535 574 2xFS1

Material: Sheet steel, galvanized
 Fastening material: steel, galvanized

Scope of delivery: Incl. fastening material (FS)



Slot

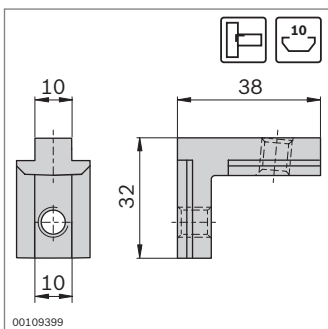
8 / 8	2200 N / 50 Nm

FS2
 DIN 913
M6x8

Inner bracket	Slot	ESD	No.	FS
	8 / 8		10	3 842 535 578 2xFS2

Material: Cast steel, galvanized
 Fastening material: steel, galvanized

Scope of delivery: Incl. fastening material (FS)



Slot

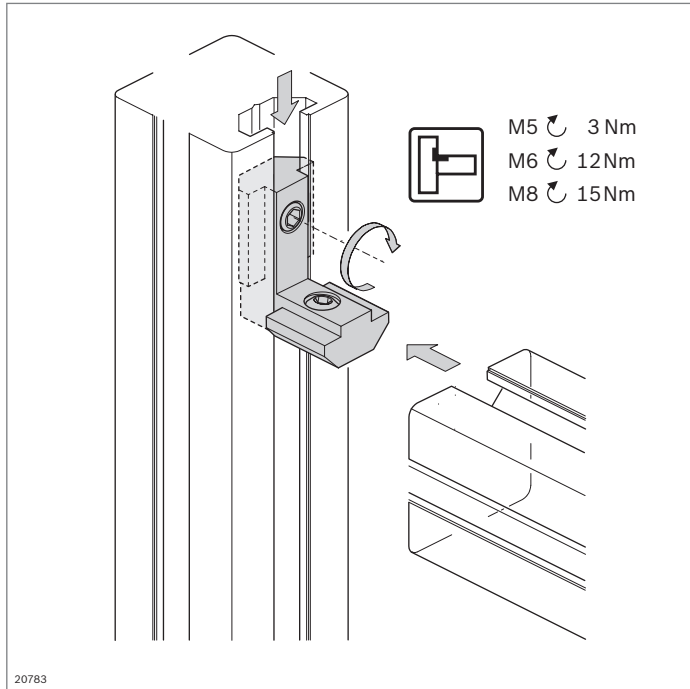
10 / 10	2800 N / 100 Nm

FS3
 DIN 913
M8x12

Inner bracket	Slot	ESD	No.	FS
	10 / 10		10	3 842 535 572 2xFS3

Material: Cast steel, galvanized
 Fastening material: steel, galvanized

Scope of delivery: Incl. fastening material (FS)

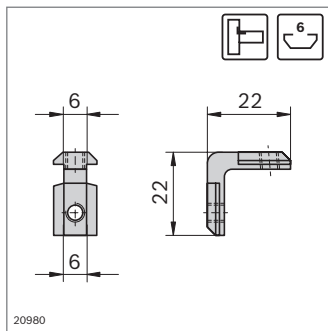


Inner bracket R



- ▶ For elegant, easy-to-assemble profile connections
- ▶ Especially suitable for constructing door frames, protective grilles, or partition walls
- ▶ Profile machining: not required

Technical data (p. 19-9)

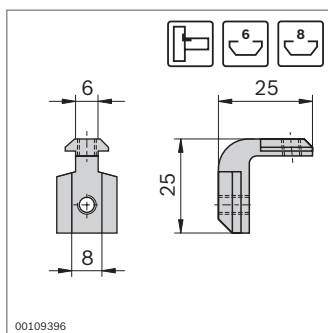


Slot	F_{max}	M_{max}
6 / 6	600 N	10 Nm



Inner bracket R	Slot	ESD	No.	FS
	6 / 6		10	3 842 535 575 2xFS1

Material: Cast steel; galvanized
Fastening material: steel, galvanized
Scope of delivery: Incl. fastening material (FS)

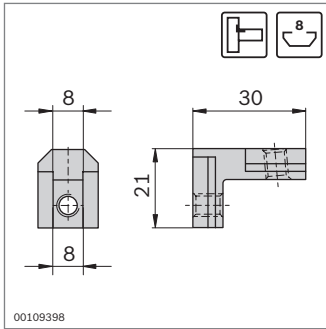


Slot	F_{max}	M_{max}
6 / 8	600 N	10 Nm

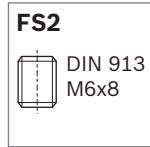


Inner bracket R	Slot	ESD	No.	FS
	6 / 8		10	3 842 535 573 2xFS1

Material: Cast steel; galvanized
Fastening material: steel, galvanized
Scope of delivery: Incl. fastening material (FS)



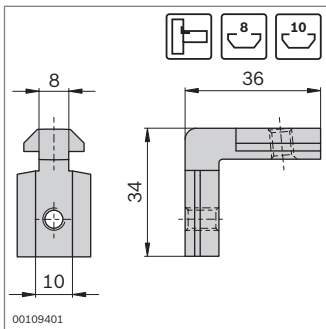
Slot	F_{max}	M_{max}
8 / 8	2500 N	50 Nm



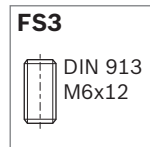
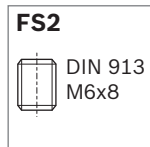
Inner bracket R	Slot	ESD	No.	FS
	8 / 8		10 3 842 535 577	2xFS2

Material: Cast steel, galvanized
Fastening material: steel, galvanized

Scope of delivery: Incl. fastening material (FS)



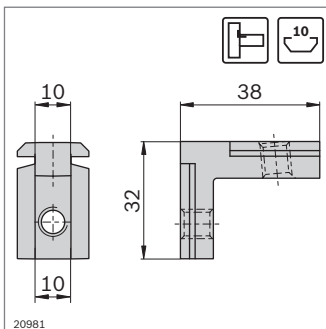
Slot	F_{max}	M_{max}
8 / 10	2500 N	50 Nm



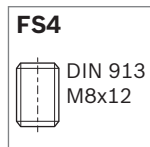
Inner bracket R	Slot	ESD	No.	FS
	8 / 10		10 3 842 535 576	FS2, FS3

Material: Cast steel, galvanized
Fastening material: steel, galvanized

Scope of delivery: Incl. fastening material (FS)



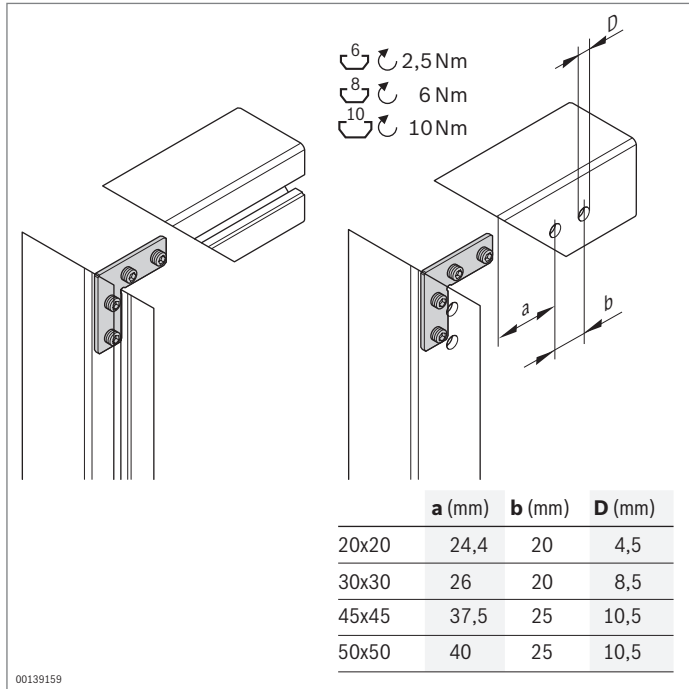
Slot	F_{max}	M_{max}
10 / 10	3000 N	100 Nm



Inner bracket R	Slot	ESD	No.	FS
	10 / 10		10 3 842 535 571	2xFS4

Material: Cast steel, galvanized
Fastening material: steel, galvanized

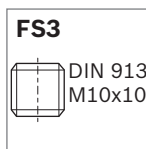
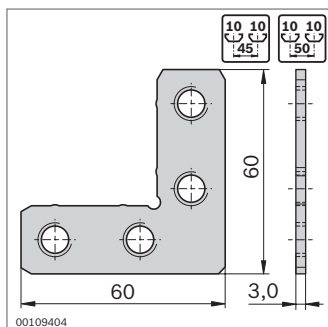
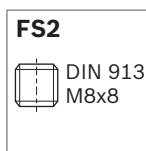
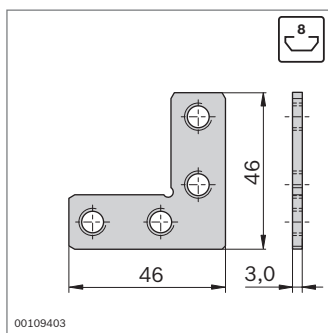
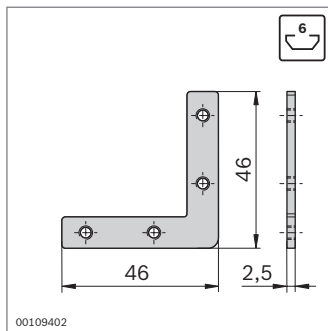
Scope of delivery: Incl. fastening material (FS)



Miter bracket



- For right-angled connections of miter-cut profiles
- Profile finishing with open profile slots: not required
- Profile finishing with closed profile slots: through-holes for screwdriver



Miter bracket	Slot	ESD	No.	FS
	6		20	3 842 535 626 4xFS1

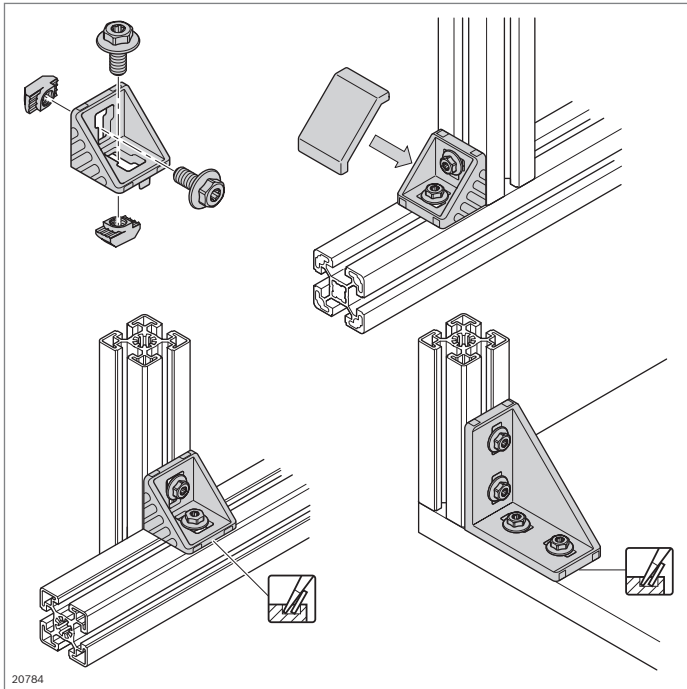
Material: Steel, stainless
 Fastening material: steel, galvanized
 Scope of delivery: Incl. fastening material (FS)

Miter bracket	Slot	ESD	No.	FS
	8		20	3 842 535 627 4xFS2

Material: Steel, galvanized
 Fastening material: steel, galvanized
 Scope of delivery: Incl. fastening material (FS)

Miter bracket	Slot	ESD	No.	FS
	10		20	3 842 535 625 4xFS3

Material: Steel, galvanized
 Fastening material: steel, galvanized
 Scope of delivery: Incl. fastening material (FS)



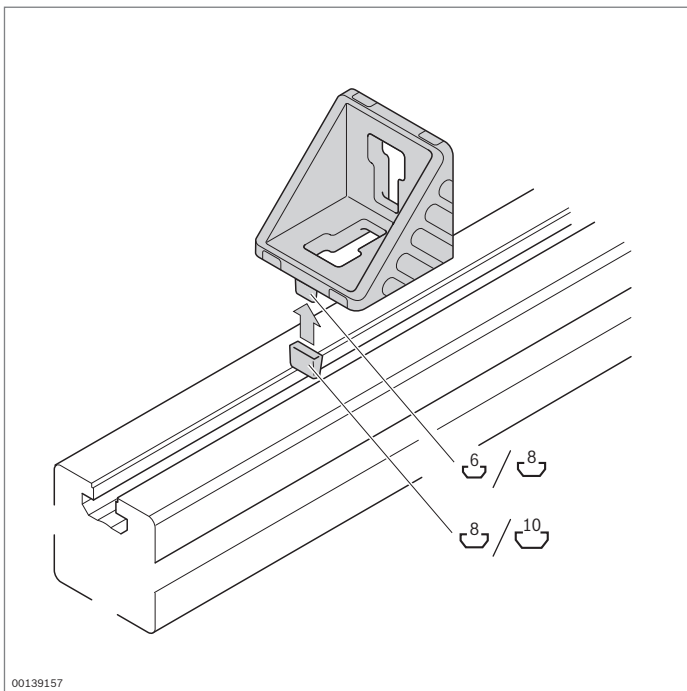
Bracket

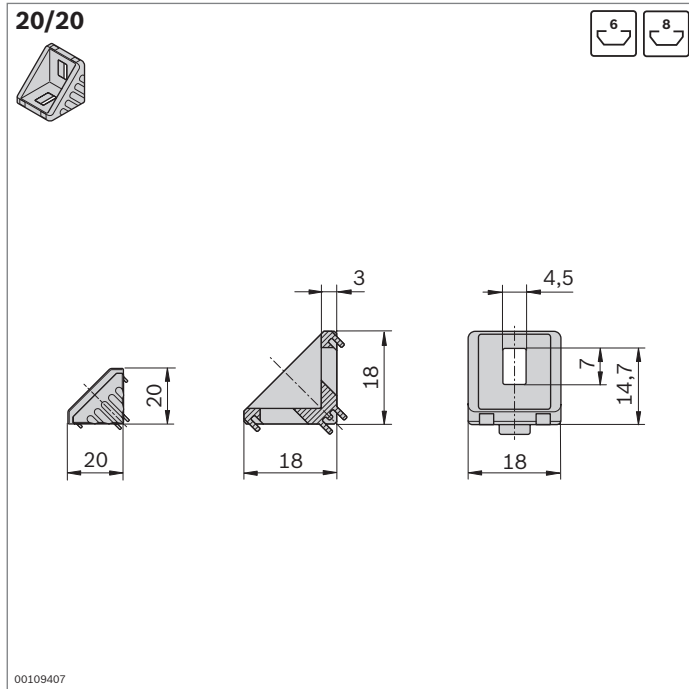


- ▶ Brackets with centering lugs for rapid, precise assembly with protection against turning
- ▶ Centering lugs can be easily broken off for assembly on plates or at right angles to the slot
- ▶ *designLINE* version with special silver paint (RAL 9006) for an attractive, high-quality design
- ▶ Intermediate element for positioning brackets in the next largest slot
- ▶ Offset sliding block for off-center positioning of the 45/45 bracket
- ▶ Cover cap to protect from dirt, available in signal gray (RAL 7004) and black ESD (RAL 9005)
- ▶ Profile machining: not required

Technical data (p. 19-10)

Notice: The collar screws enable the brackets to be assembled really quickly and easily (p. 3-6)



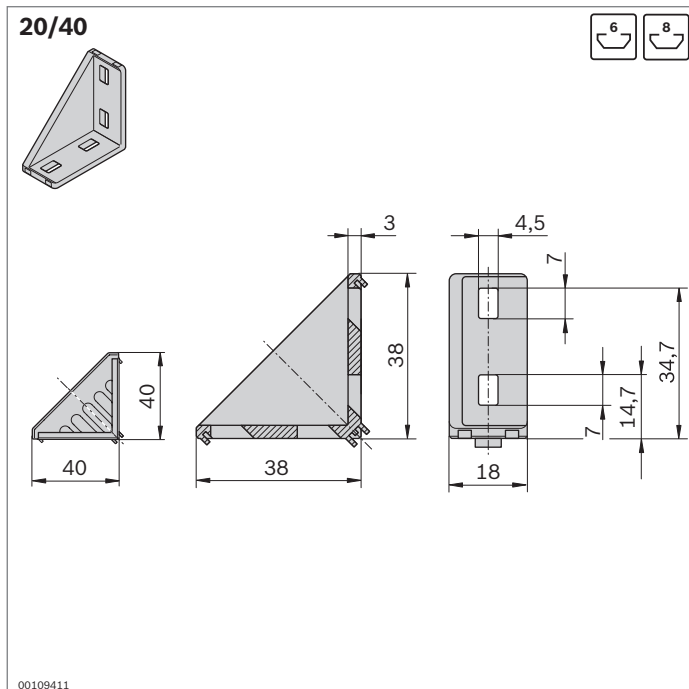
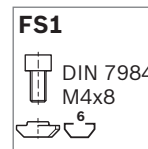


20/20	Slot	ESD	No.	FS
Set (standard)	6 / 6		1 3 842 523 511	2xFS1
<i>designLINE</i> set	6 / 6		1 3 842 551 596	2xFS1
Bracket (standard)	6		100 3 842 523 508	
Cap, signal gray			100 3 842 548 842	
Cap, black			20 3 842 548 843	
Adapter for 8 mm slot	6 / 8		100 3 842 523 516	

Material: Bracket: Diecast aluminum, vibratory ground
designLINE bracket: painted (RAL 9006)
 Adapter: PA, black
 Cap: PP
 Fastening material: steel, galvanized

Scope of delivery: Set incl. fastening material (FS)

Model				
20/20	700 N	6 Nm	25 Nm	–

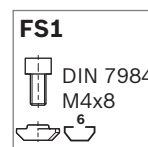


20/40	Slot	ESD	No.	FS
Set (standard)	6 / 6		1 3 842 523 520	4xFS1
<i>designLINE</i> set	6 / 6		1 3 842 551 597	4xFS1
Bracket (standard)	6		20 3 842 523 517	
Cap, signal gray			20 3 842 548 844	
Cap, black			20 3 842 548 845	
Adapter for 8 mm slot	6 / 8		100 3 842 523 516	

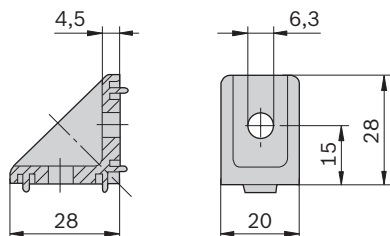
Material: Bracket: Diecast aluminum, vibratory ground
 Bracket *designLINE*: painted (RAL 9006)
 Adapter: PA; black
 Cap: PP
 Fastening material: steel, galvanized

Scope of delivery: Set incl. fastening material (FS)

Model				
20/40	1400 N	15 Nm	50 Nm	8 Nm



20x28



00125983

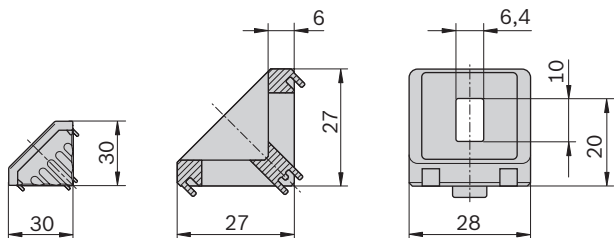
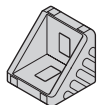
20x28	Slot	ESD	No.	FS
Set (standard)	8 / 8		1 3 842 502 137	2xFS1
Bracket (standard)	8		100 3 842 501 587	

Material: Diecast zinc
 Fastening material: steel, galvanized
 Scope of delivery: Set incl. fastening material (FS)

FS1



30/30

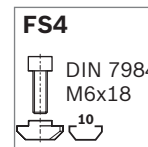
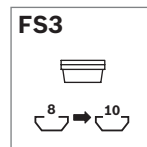
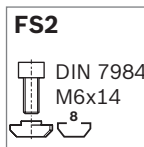


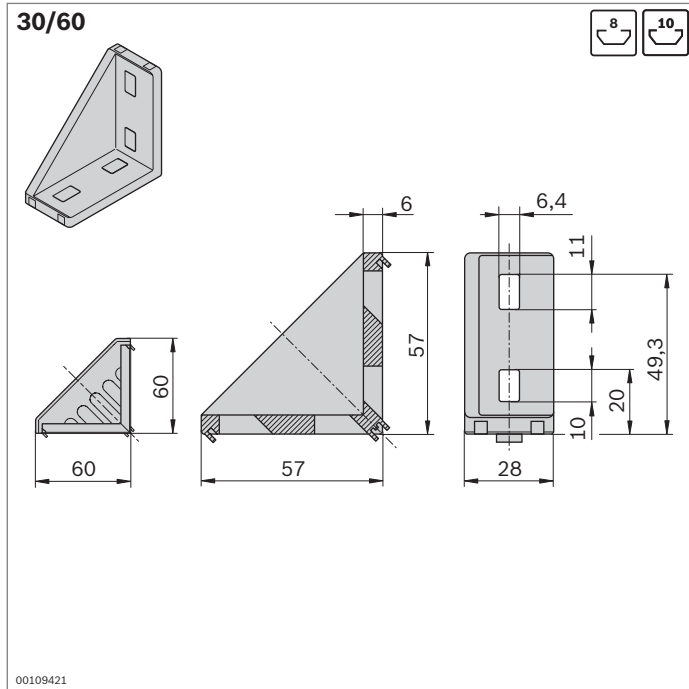
00109415

30/30	Slot	ESD	No.	FS
Set (standard)	8 / 8		1 3 842 523 528	2xFS2
	8 / 10		1 3 842 523 530	1xFS2, 2xFS3, 1xFS4
	10 / 10		1 3 842 523 532	4xFS3, 2xFS4
<i>designLINE</i> set	8 / 8		1 3 842 551 598	2xFS2
	8 / 10		1 3 842 551 600	1xFS2, 2xFS3, 1xFS4
	10 / 10		1 3 842 551 599	4xFS3, 2xFS4
Bracket (standard)	8		100 3 842 523 525	
Cap, signal gray			100 3 842 548 846	
Cap, black			20 3 842 548 847	
Adapter for 10 mm slot	8 / 10		100 3 842 523 537	

Material: Bracket: Diecast aluminum, vibratory ground
 Bracket *designLINE*: painted (RAL 9006)
 Adapter: PA, black
 Cap: PP
 Fastening material: steel, galvanized
 Scope of delivery: Set incl. fastening material (FS)

Model				
30/30	1250 N	25 Nm	75 Nm	—



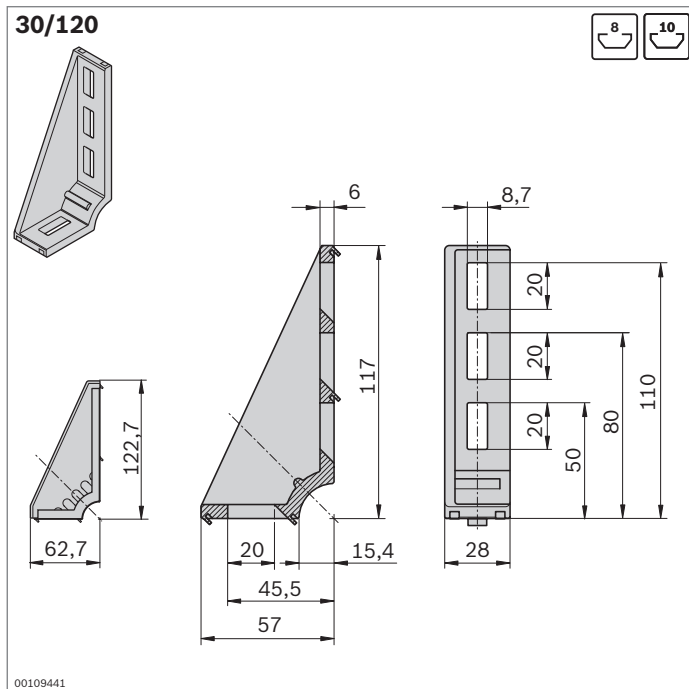
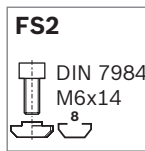


Model				
30/60	2500 N	100 Nm	170 Nm	25 Nm

30/60	Slot	ESD		No.	FS
Set (standard)	8 / 8		1	3 842 523 541	4xFS2
<i>designLINE</i> set	8 / 8		1	3 842 551 601	4xFS2
Bracket (standard)	8		20	3 842 523 538	
Cap, signal gray			20	3 842 548 848	
Cap, black			20	3 842 548 849	
Adapter for 10 mm slot	8 / 10		100	3 842 523 537	

Material: Bracket: Diecast aluminum, vibratory ground
 Bracket *designLINE*: painted (RAL 9006)
 Adapter: PA, black
 Cap: PP
 Fastening material: steel, galvanized

Scope of delivery: Set incl. fastening material (FS)

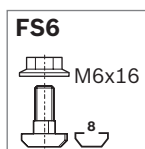


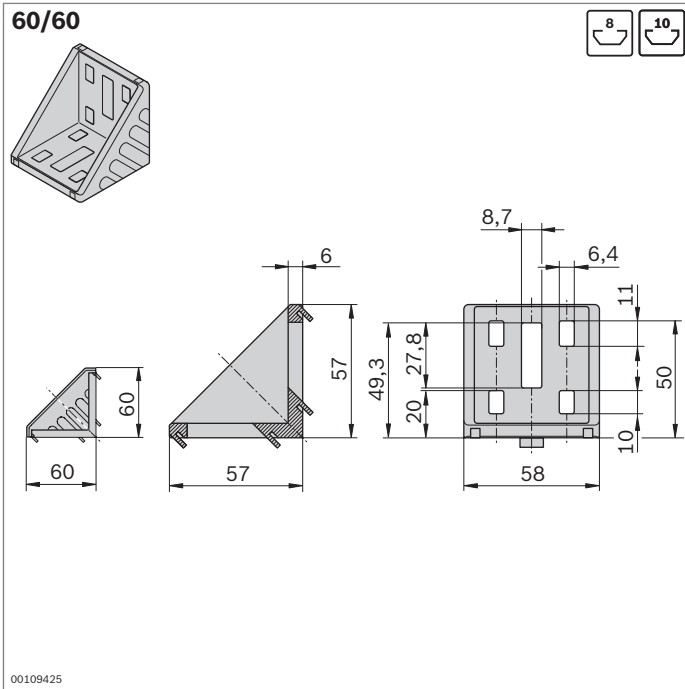
Model			
30/120	3750 N	100 Nm	47 Nm

30/120	Slot	ESD		No.	FS
Set (standard)	8		1	8 981 021 023	2xFS6
<i>designLINE</i> set	8 / 8		1	3 842 551 602	2xFS6
Bracket (standard)	8		20	3 842 523 587	
Cap, signal gray			20	3 842 548 850	
Cap, black			20	3 842 548 851	
Adapter for 10 mm slot	8 / 10		100	3 842 523 537	

Material: Bracket: Diecast aluminum, vibratory ground
 Bracket *designLINE*: painted (RAL 9006)
 Adapter: PA, black
 Cap: PP
 Fastening material: steel, galvanized

Scope of delivery: Set incl. fastening material (FS)



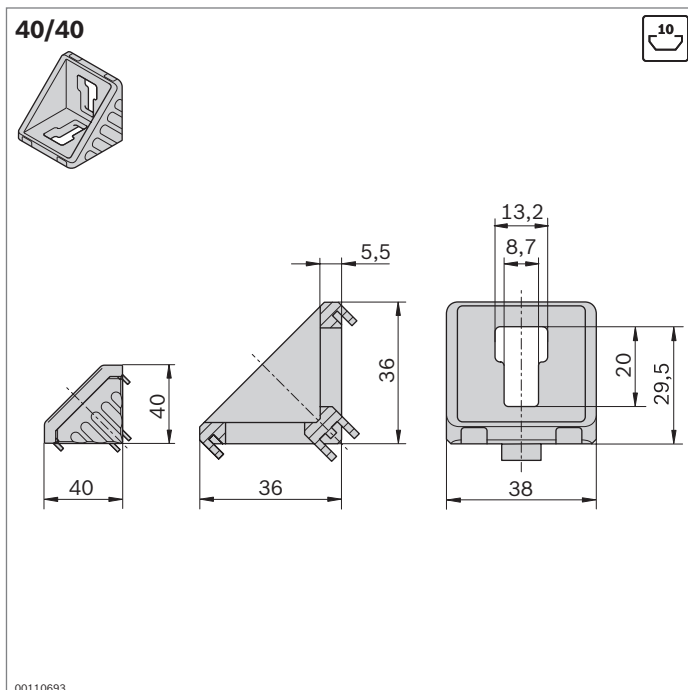
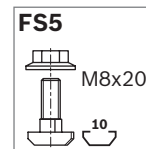
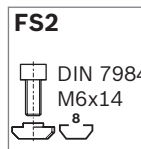


60/60	Slot	ESD	No.	FS
Set (standard)	8 / 8		1 3 842 523 549	8xFS2
	8 / 10		1 3 842 523 551	4xFS2, 1xFS5
	10 / 10		1 3 842 523 553	2xFS5
<i>designLINE</i> set	8 / 8		1 3 842 551 609	8xFS2
	8 / 10		1 3 842 551 610	4xFS2, 1xFS5
	10 / 10		1 3 842 551 611	2xFS5
Bracket (standard)	8		20 3 842 523 546	
Cap, signal gray			20 3 842 548 852	
Cap, black			20 3 842 548 853	
Adapter for 10 mm slot	10		100 3 842 523 537	

Material: Bracket: Diecast aluminum, vibratory ground
 Bracket *designLINE*: painted (RAL 9006)
 Adapter: PA; black
 Cap: PP
 Fastening material: steel, galvanized

Scope of delivery: Set incl. fastening material (FS)

Model	Slot				
60/60	8	5000 N	320 Nm	370 Nm	110 Nm
	10	3000 N	125 Nm	150 Nm	-

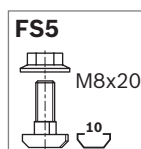


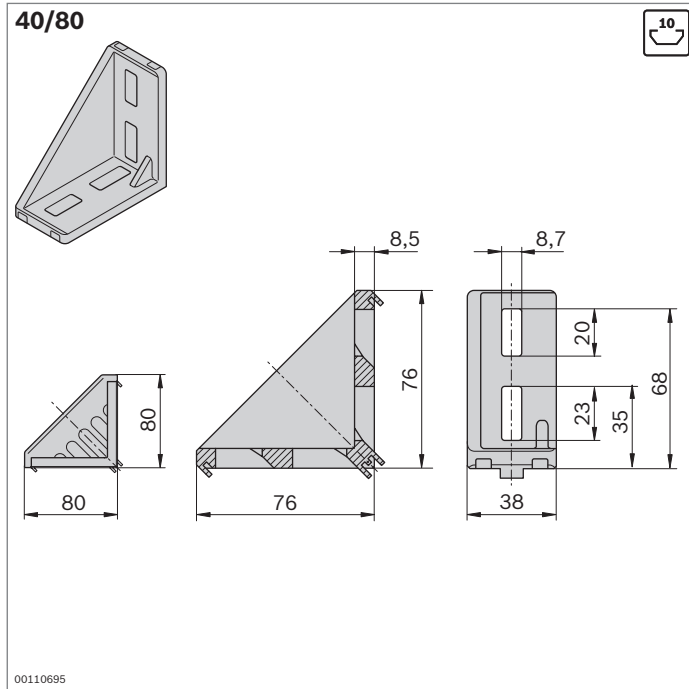
40/40	Slot	ESD	No.	FS
Set (standard)	10 / 10		1 3 842 529 383	2xFS5
<i>designLINE</i> set	10 / 10		1 3 842 551 603	2xFS5
Bracket (standard)	10		100 3 842 528 967	
Cap, signal gray			100 3 842 548 854	
Cap, black			20 3 842 548 855	

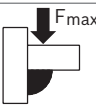
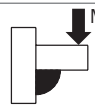


Material: Bracket: Diecast aluminum, vibratory ground
 Bracket *designLINE*: painted (RAL 9006)
 Cap: PP
 Fastening material: steel, galvanized








Scope of delivery: Set incl. fastening material (FS)

Model				
40/40	3000 N	55 Nm	145 Nm	35 Nm

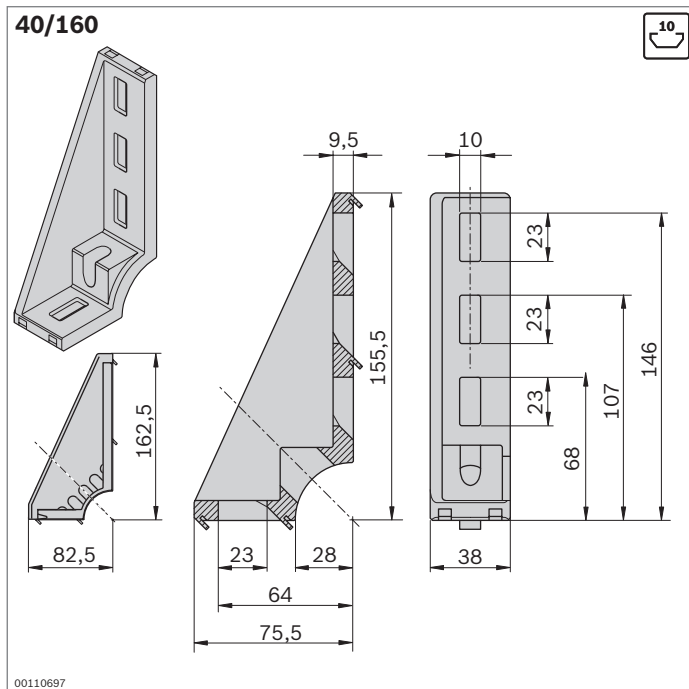
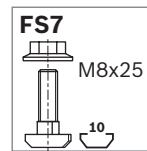


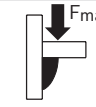

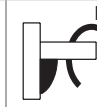






Model				
40/80	6000 N	180 Nm	400 Nm	60 Nm

40/80	Slot	ESD		No.	FS
Set (standard)	10 / 10		1	3 842 529 386	4xFS7 
<i>designLINE</i> set	10 / 10		1	3 842 551 604	4xFS7
Bracket (standard)	10		20	3 842 529 005	
Cap, signal gray			20	3 842 548 856	
Cap, black			20	3 842 548 857	

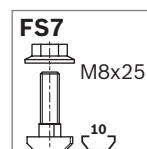
Material: Bracket: Diecast aluminum, vibratory ground
designLINE bracket: painted (RAL 9006)
 Cap: PP
 Fastening material: steel, galvanized
 Scope of delivery: Set incl. fastening material (FS)

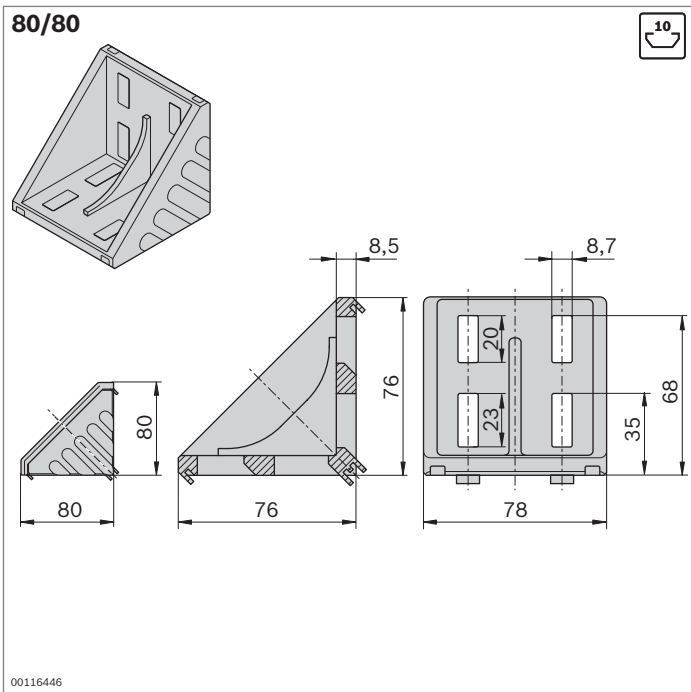





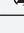

Model			
40/160	9000 N	250 Nm	60 Nm

40/160	Slot	ESD		No.	FS
Set (standard)	10		1	8 981 021 348	2xFS7
<i>designLINE</i> set	10 / 10		1	3 842 551 605	2xFS7
Bracket (standard)	10		20	3 842 529 006	
Cap, signal gray			20	3 842 548 858	
Cap, black			20	3 842 548 859	

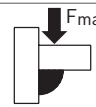
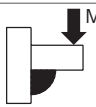
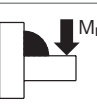
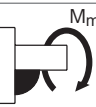
Material: Bracket: Diecast aluminum, vibratory ground
 Bracket *designLINE*: painted (RAL 9006)
 Cap: PP
 Fastening material: steel, galvanized
 Scope of delivery: Set incl. fastening material (FS)

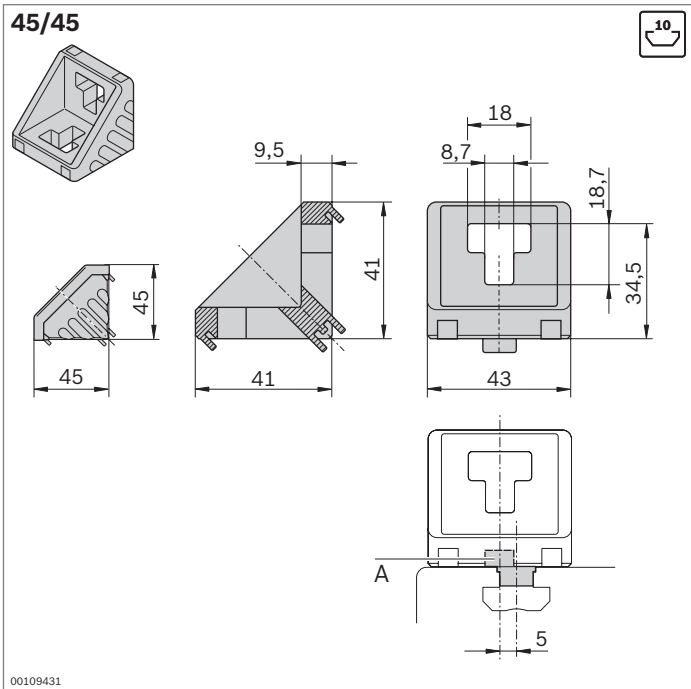
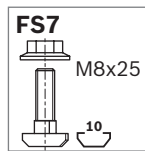













80/80	Slot	ESD		No.	FS
Set (standard)	10 / 10		1	3 842 530 360	8xFS7
<i>designLINE</i> set	10 / 10		1	3 842 551 612	8xFS7
Bracket (standard)	10		20	3 842 530 231	
Cap, signal gray			20	3 842 548 860	
Cap, black			20	3 842 548 861	

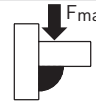
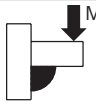
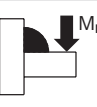
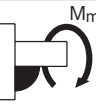
Material: Bracket: Diecast aluminum, vibratory ground
 Bracket *designLINE*: painted (RAL 9006)
 Cap: PP
 Fastening material: steel, galvanized
 Scope of delivery: Set incl. fastening material (FS)

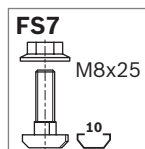
Model				
80/80	14000 N	500 Nm	1000 Nm	400 Nm

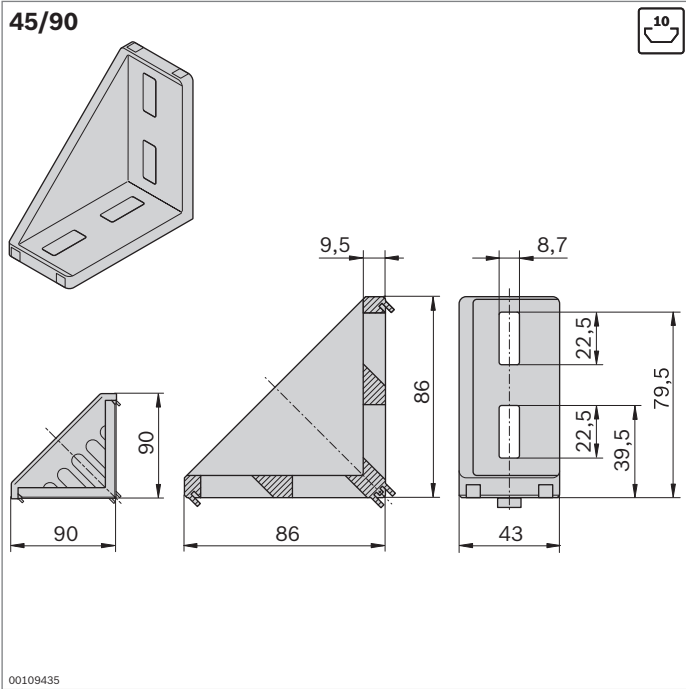











45/45	Slot	ESD		No.	FS
Set (standard)	10 / 10		1	3 842 523 561	2xFS7 
<i>designLINE</i> set	10 / 10		1	3 842 551 606	2xFS7
Bracket (standard)	10		100	3 842 523 558	
Cap, signal gray			100	3 842 548 862	
Cover cap, black			20	3 842 548 863	
Sliding block, offset (A)	10		100	3 842 523 593	

Material: Bracket: Diecast aluminum, vibratory ground
 Bracket *designLINE*: painted (RAL 9006)
 Sliding block, offset: PA, black
 Cap: PP
 Fastening material: steel, galvanized
 Scope of delivery: Set incl. fastening material (FS)

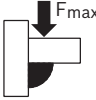
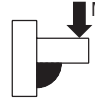
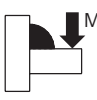
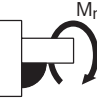
Model				
45/45	3000 N	60 Nm	160 Nm	—

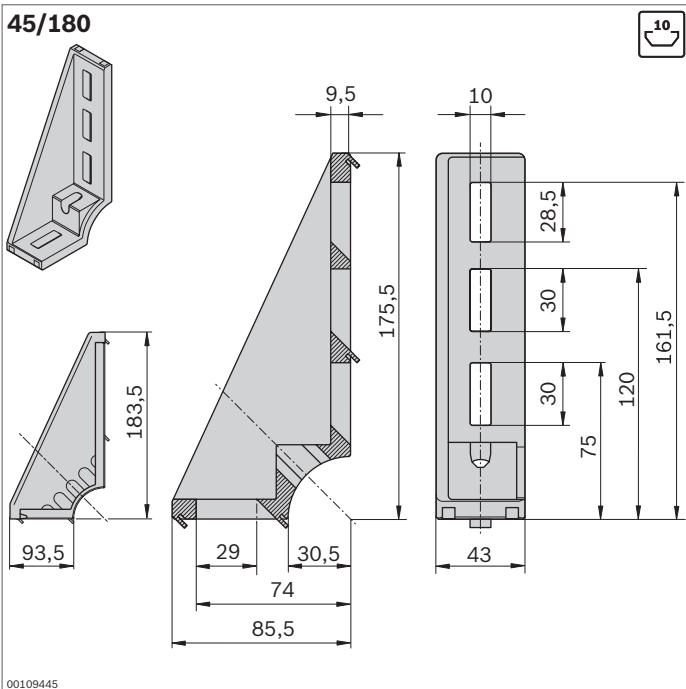
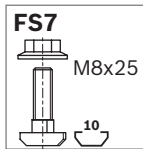









45/90	Slot	ESD		No.	FS
Set (standard)	10 / 10		1	3 842 523 570	4xFS7 
<i>designLINE</i> set	10 / 10		1	3 842 551 607	4xFS7
Bracket (standard)	10		100	3 842 523 567	
Cap, signal gray			20	3 842 548 864	
Cap, black			20	3 842 548 865	

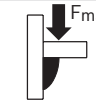


Material: Bracket: Diecast aluminum, vibratory ground
designLINE bracket: painted (RAL 9006)
 Cap: PP
 Fastening material: steel, galvanized
 Scope of delivery: Set incl. fastening material (FS)

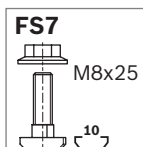
Model				
45/90	6000 N	180 Nm	400 Nm	60 Nm

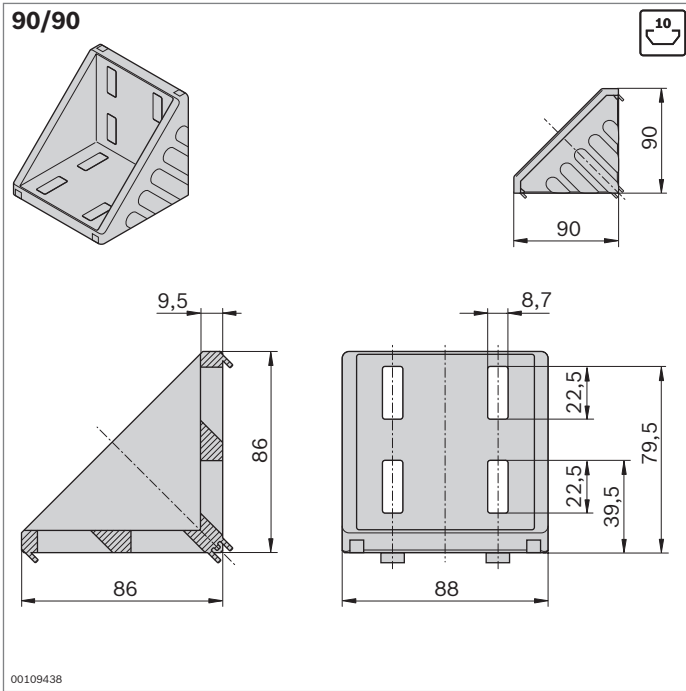











45/180	Slot	ESD		No.	FS
<i>designLINE</i> set	10 / 10		1	3 842 551 608	2xFS7
Bracket (standard)	10		20	3 842 523 583	
Cap, signal gray			20	3 842 548 866	
Cap, black			20	3 842 548 867	

Material: Bracket: Diecast aluminum, vibratory ground
 Bracket *designLINE*: painted (RAL 9006)
 Cap: PP
 Fastening material: steel, galvanized
 Scope of delivery: Set incl. fastening material (FS)

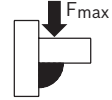
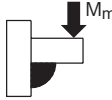
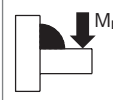

Model			
45/180	9000 N	250 Nm	65 Nm

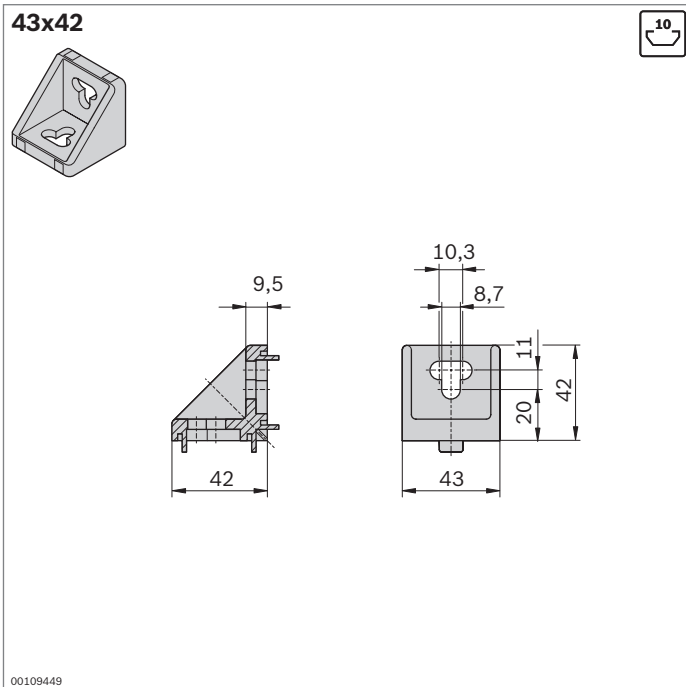
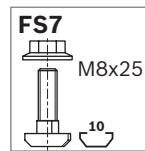







90/90	Slot	ESD		No.	FS
Set (standard)	10 / 10		1	3 842 523 578	8xFS7 
<i>designLINE</i> set	10 / 10		1	3 842 551 613	8xFS7
Bracket (standard)	10		20	3 842 523 575	
Cap, signal gray			20	3 842 548 868	
Cap, black			20	3 842 548 869	

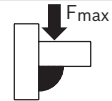
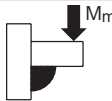

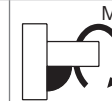
Material: Bracket: Diecast aluminum, vibratory ground
designLINE bracket: painted (RAL 9006)
 Cap: PP
 Fastening material: steel, galvanized
 Scope of delivery: Set incl. fastening material (FS)

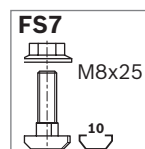
Model	 F_{max}	 M_{max}	 M_{max}	 M_{max}
90/90	12000 N	370 Nm	800 Nm	200 Nm

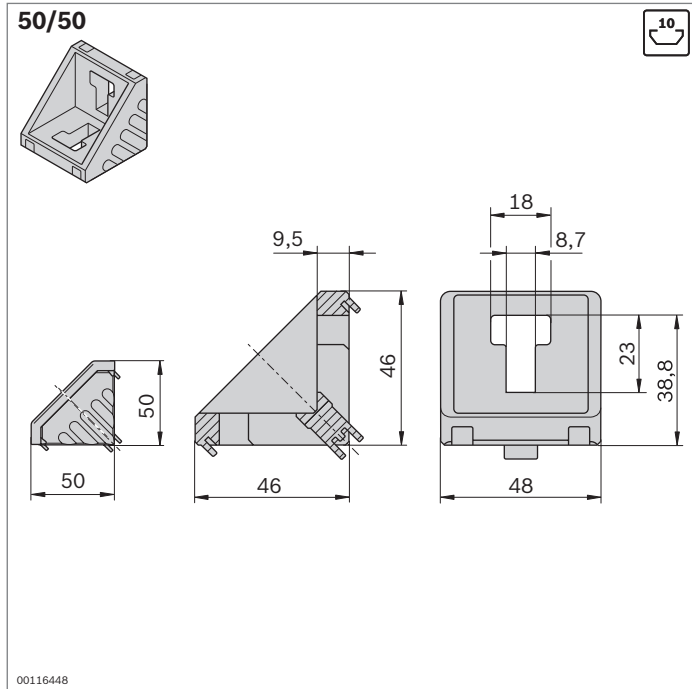


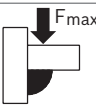
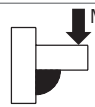


43x42	Slot	ESD		No.	FS
Set (standard)	10 / 10		1	3 842 352 009	2xFS7
Bracket (standard)	10		100	3 842 348 526	




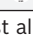
Material: Bracket: Die-cast aluminum
 Fastening material: steel, galvanized
 Scope of delivery: Set incl. fastening material (FS)

Model	 F_{max}	 M_{max}	 M_{max}	 M_{max}
43x42	2000 N	-	160 Nm	-

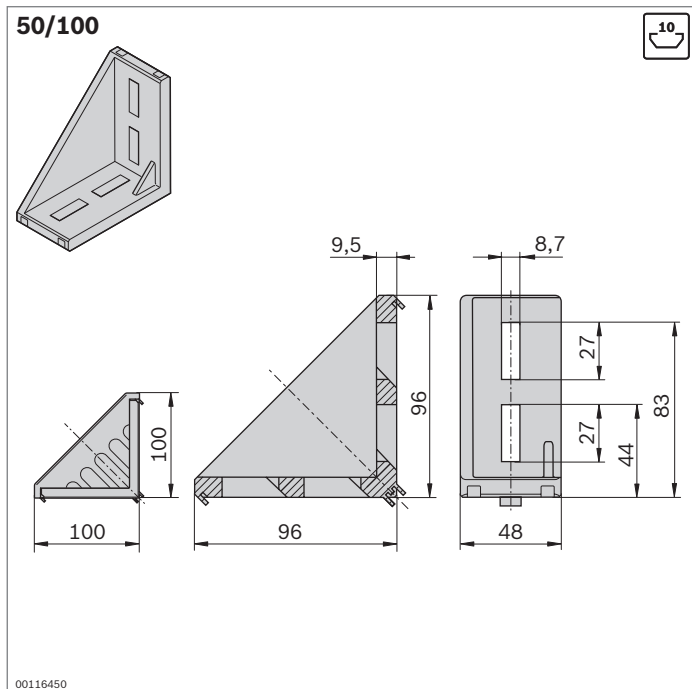
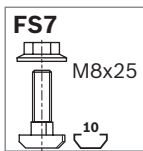


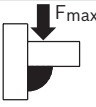
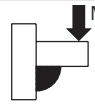

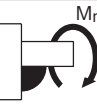






Model				
50/50	4000 N	125 Nm	250 Nm	38 Nm

50/50	Slot	ESD		No.	FS
Set (standard)	10 / 10		1	3 842 530 259	2xFS7
Bracket (standard)	10		20	3 842 530 381	
Cap, signal gray			20	3 842 548 870	
Cap, black			20	3 842 548 871	

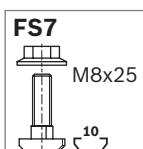
Material: Bracket: Diecast aluminum, vibratory ground
 Cover cap: PP
 Fastening material: steel, galvanized
 Scope of delivery: Set incl. fastening material (FS)

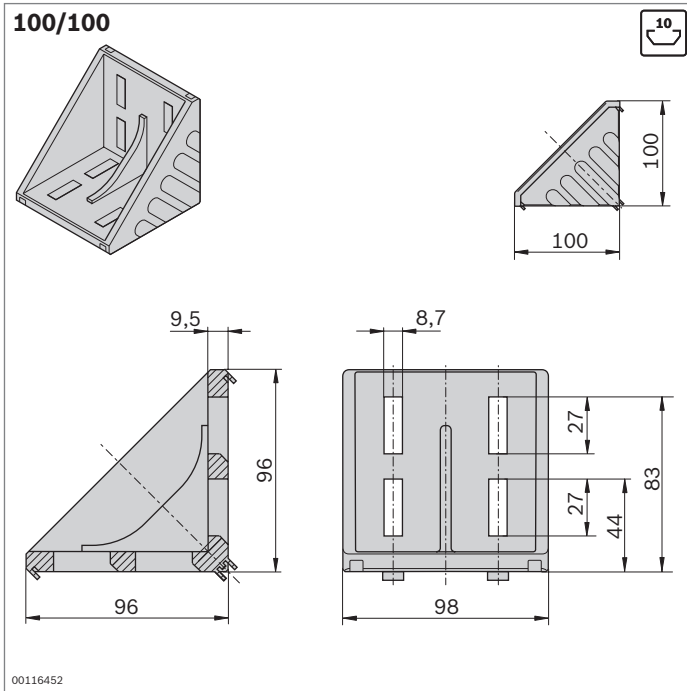


Model				
50/100	7500 N	300 Nm	600 Nm	73 Nm

50/100	Slot	ESD		No.	FS
Set (standard)	10 / 10		1	3 842 530 260	4xFS7
Bracket (standard)	10		20	3 842 530 382	
Cap, signal gray			20	3 842 548 872	
Cap, black			20	3 842 548 873	

Material: Bracket: Diecast aluminum, vibratory ground
 Cap: PP
 Fastening material: steel, galvanized
 Scope of delivery: Set incl. fastening material (FS)





00116452

100/100	Slot	ESD	No.	FS
Set (standard)	10 / 10		1 3 842 530 361	8xFS7
Bracket (standard)	10		20 3 842 530 460	
Cap, signal gray			20 3 842 548 874	
Cap, black			20 3 842 548 875	

Material: Bracket: Diecast aluminum, vibratory ground

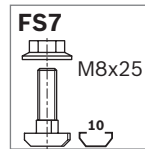
Cap: PP

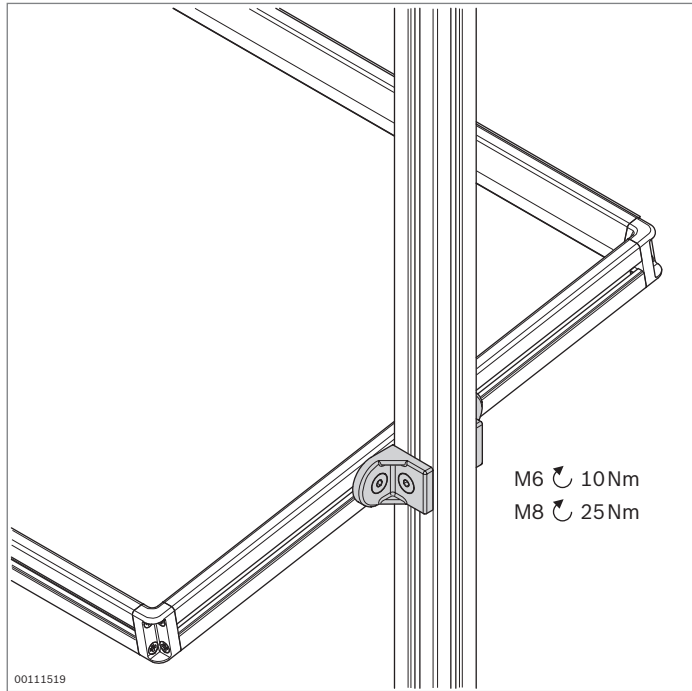
Fastening material: steel, galvanized

Scope of delivery: Set incl. fastening material (FS)

3

Model				
100/100	15000 N	550 Nm	1100 Nm	480 Nm

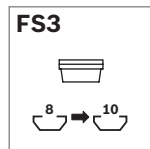
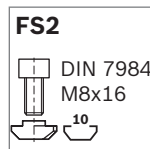
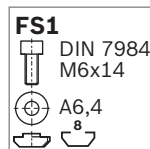
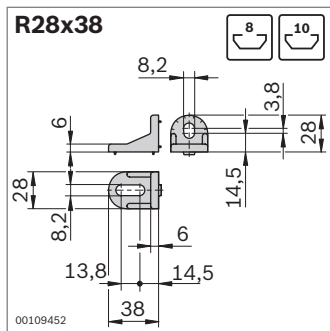




Bracket R



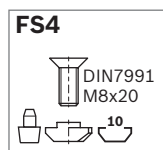
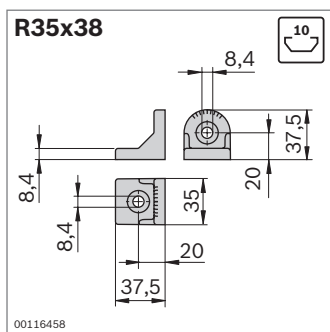
- ▶ For connecting profiles at any angle
- ▶ No interfering edges thanks to rounded bracket
- ▶ Brackets with centering lugs for rapid, precise assembly with protection against turning
- ▶ Centering lugs can be easily broken off for assembly on plates or at right angles to the slot
- ▶ *designLINE* version with special silver paint (RAL 9006) for an attractive, high-quality design
- ▶ Profile machining: not required



R28x38	Slot	ESD	No.	FS
Set (standard)	8 / 10	⚠	1 3 842 515 547	FS1, FS2, 2xFS3
	10 / 10	⚠	1 3 842 521 580	2xFS2, 4xFS3
<i>designLINE</i> set	8 / 10	⚠	1 3 842 538 703	FS1, FS2, 2xFS3
	10 / 10	⚠	1 3 842 538 704	2xFS2, 4xFS3
Bracket (standard)	8, 10	⚠	100 3 842 515 473	

Material: Bracket: Diecast zinc
designLINE bracket: painted (RAL 9006)
Adapter: PA; black
Fastening material: steel, galvanized

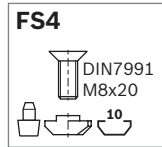
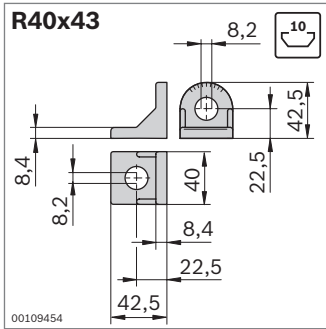
Scope of delivery: Set incl. fastening material (FS)



R35x38	Slot	ESD	No.	FS
Set (standard)	10 / 10	⚠	1 3 842 532 274	2xFS4
<i>designLINE</i> set	10 / 10	⚠	1 3 842 538 705	2xFS4
Bracket (standard)	10	⚠	100 3 842 529 020	

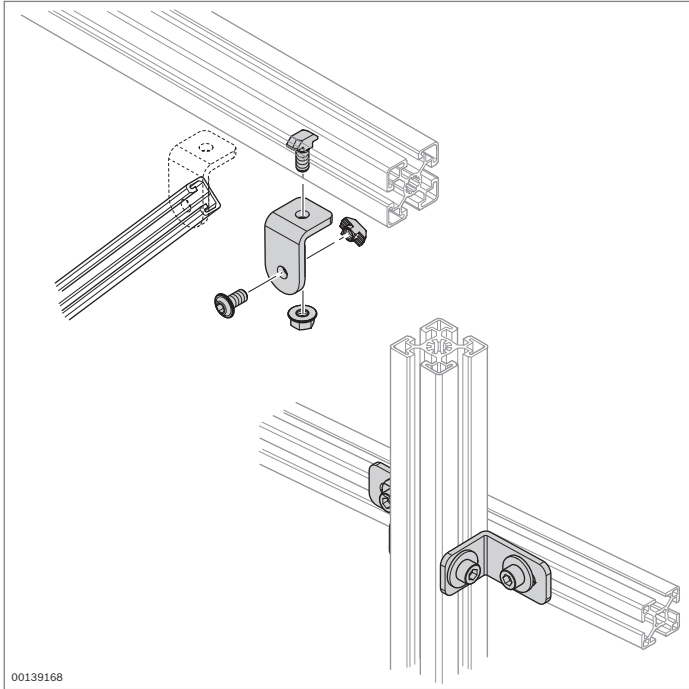
Material: Bracket: Die-cast aluminum
Bracket *designLINE*: painted (RAL 9006)
Centering bolts: PA6, black
Fastening material: steel, galvanized

Scope of delivery: Set incl. fastening material (FS)



R40x43	Slot	ESD	No.	FS
Set (standard)	10 / 10	1	3 842 518 424	2xFS4
<i>designLINE</i> set	10 / 10	1	3 842 538 706	2xFS4
Bracket (standard)	10	100	3 842 504 760	

Material: Bracket: Diecast zinc
designLINE bracket: painted (RAL 9006)
 Centering bolts: PA6, black
 Fastening material: steel, galvanized
 Scope of delivery: Set incl. fastening material (FS)

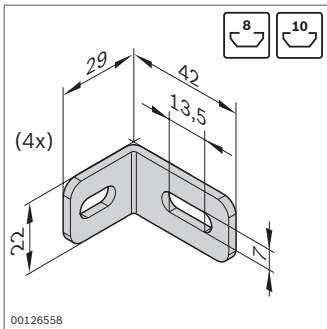


Steel bracket

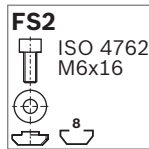
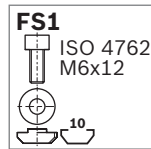


- ▶ Steel bracket without centering lugs for fastening at any angle
- ▶ Profile machining: not required

00139168

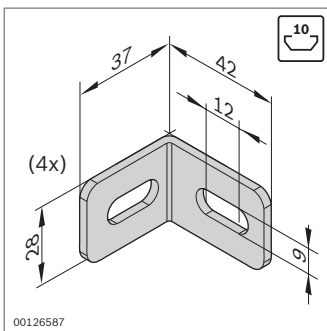


00126558

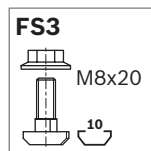


Bracket set	Slot	ESD	No.	FS
	8 / 10		4	3 842 537 862 4xFS1, 4xFS2

Material: Steel, galvanized
Fastening material: steel, galvanized
Scope of delivery: Set incl. fastening material (FS)

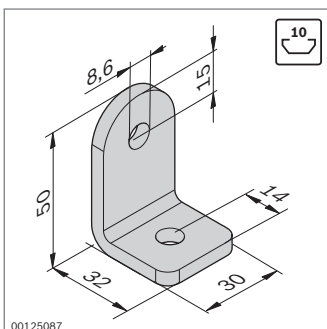


00126587

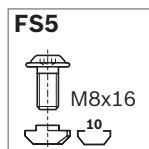
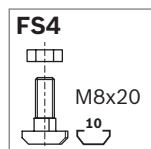


Bracket set	Slot	ESD	No.	FS
	10 / 10		4	3 842 537 861 8xFS3

Material: Steel, galvanized
Fastening material: steel, galvanized
Scope of delivery: Set incl. fastening material (FS)

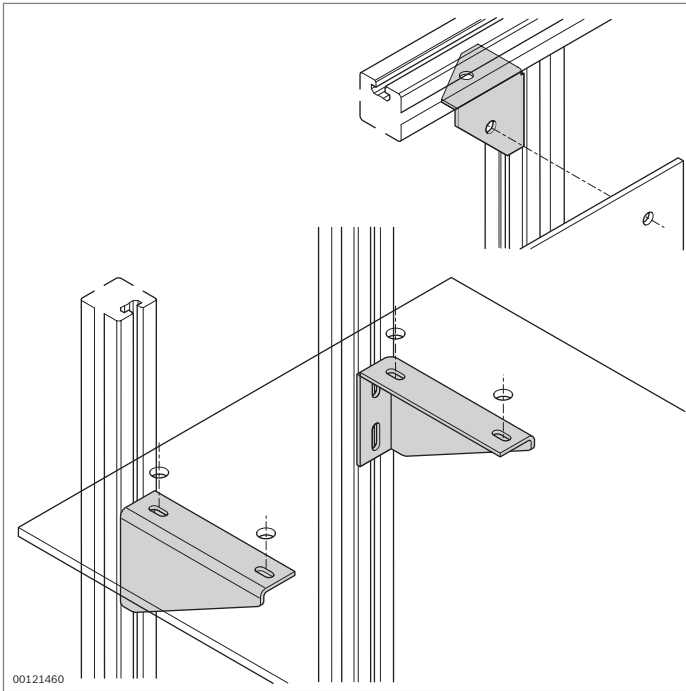


00125087

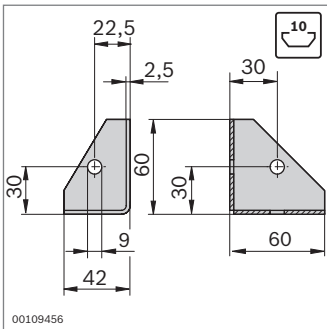


Bracket set	Slot	ESD	No.	FS
	10 / 10		20	3 842 536 729 FS4, FS5

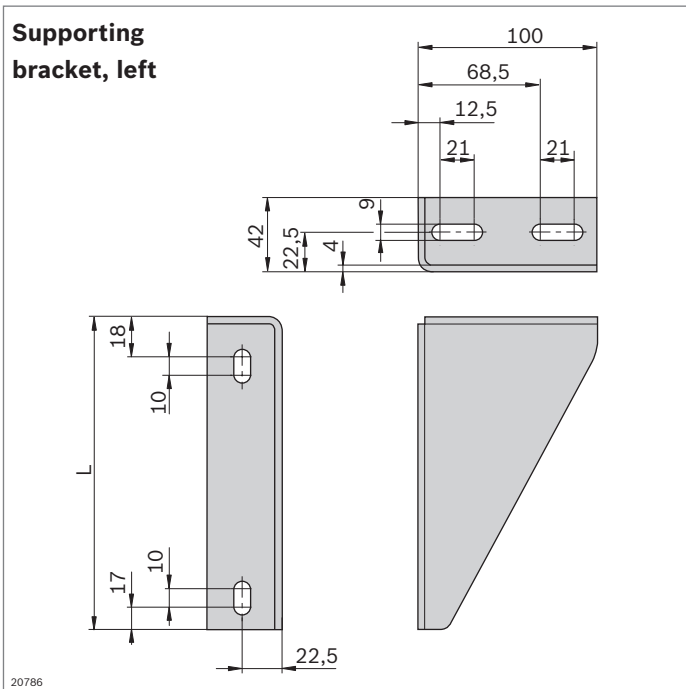
Material: Steel, galvanized
Fastening material: steel, galvanized
Scope of delivery: Set incl. fastening material (FS)



00121460



00109456



20786

Metal bracket Supporting bracket



Metal bracket

- ▶ Metal bracket for right-angled profile connections
- ▶ Screw fitting of surface elements in the stiffening fin bore
- ▶ Profile machining: not required

Supporting bracket

- ▶ Supporting bracket for fastening surface elements to profiles, e.g. for shelves
- ▶ Profile machining: not required

Metal bracket	ESD	No.
	20	3 842 146 813

Material: Sheet steel; galvanized

Accessories, required:

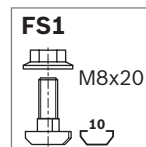
- ▶ T-bolt M8x20, 10 mm slot, **3 842 528 715** (p. 3-7)
- ▶ Flange nut M8, **3 842 345 081** (p. 3-7)

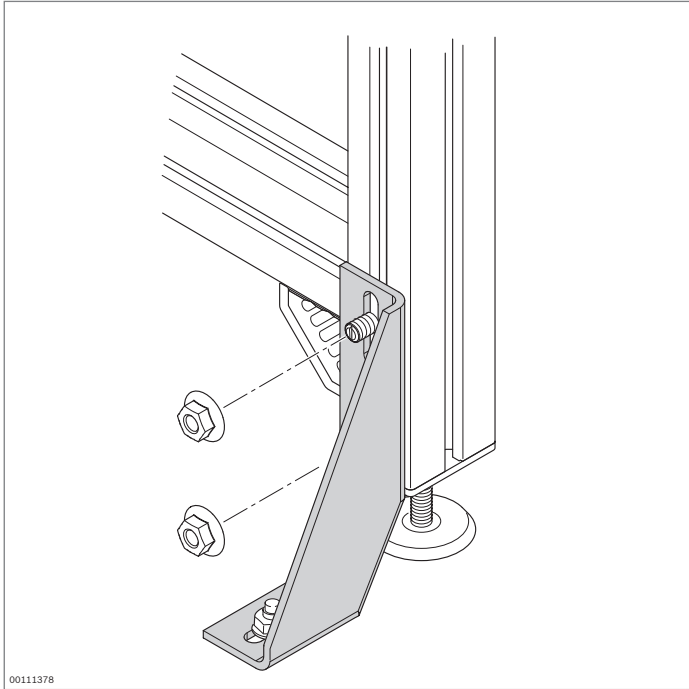
Supporting bracket	L (mm)	ESD	No.	FS
left	255	20	3 842 536 119	2xFS1
	335	20	3 842 536 121	2xFS1
	415	20	3 842 536 123	2xFS1
	495	20	3 842 536 125	2xFS1
right	255	20	3 842 536 120	2xFS1
	335	20	3 842 536 122	2xFS1
	415	20	3 842 536 124	2xFS1
	495	20	3 842 536 126	2xFS1

Material: Sheet steel; powder-coated, RAL 7037

Fastening material: steel, galvanized

Scope of delivery: Incl. fastening material (FS)





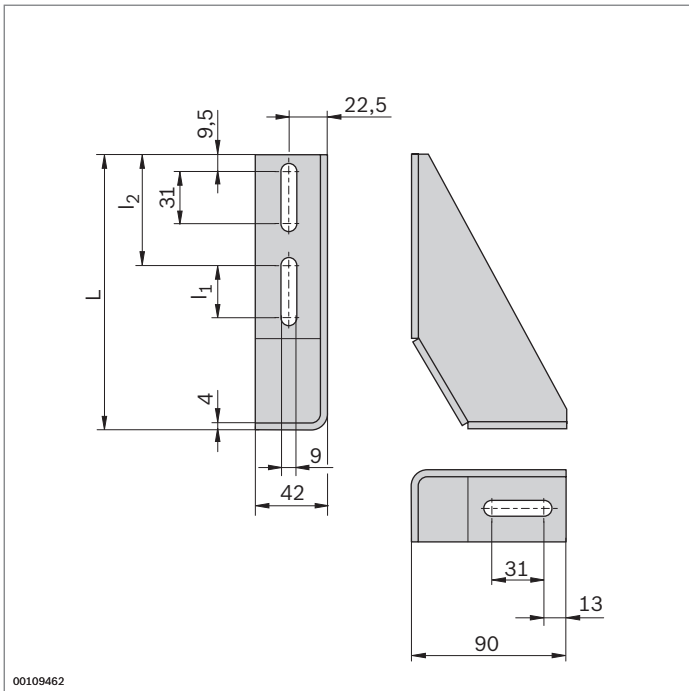
Foundation bracket



- ▶ Foundation bracket for securing frames to the floor
- ▶ The hole for the floor dowel can be bored without removing the foundation bracket
- ▶ Profile machining: not required

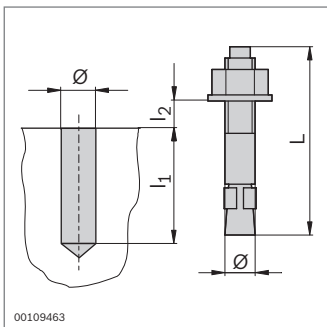
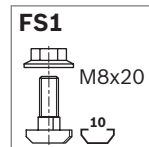
Accessories, required:

- ▶ T-bolt M8x20, 10 mm slot, **3 842 528 715** (p. 3-7)
- ▶ Flange nut M8, **3 842 345 081** (p. 3-7)
- ▶ Floor dowel



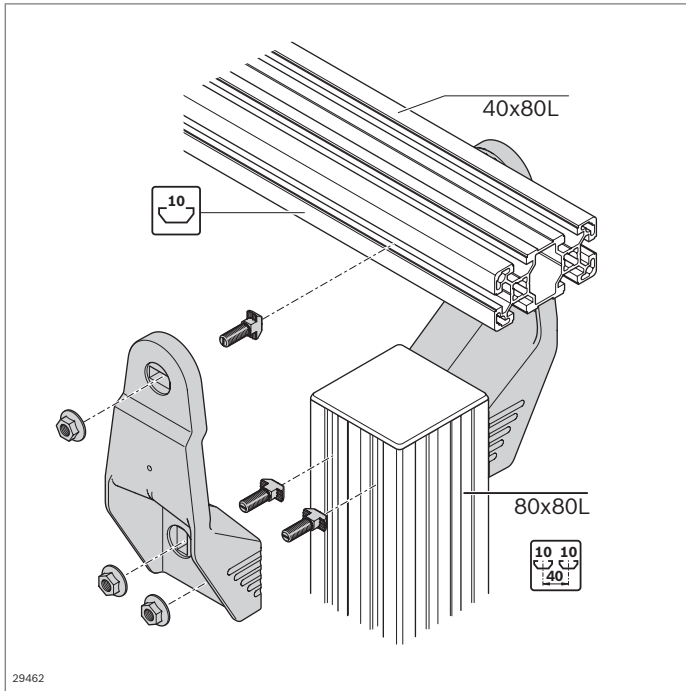
Foundation bracket	L (mm)	l ₁ (mm)	l ₂ (mm)		No.	FS
	160	31	64.5	20	3 842 146 815	
	210	91	54.5	20	3 842 146 848	
Set (standard)	210	91	54.5	1	8 981 003 224	2xFS1

Material: Sheet steel; galvanized
 Scope of delivery: Set incl. fastening material (FS)



Floor dowel	Ø	L (mm)	l ₁ (mm)	l _{2 max} (mm)		No.
	8	80	65	15	100	3 842 526 560

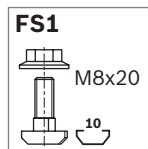
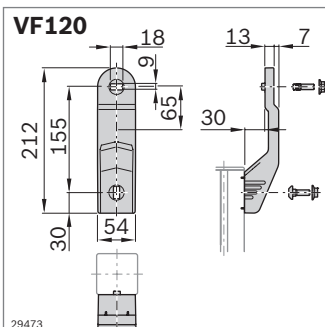
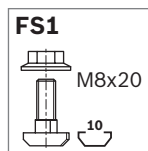
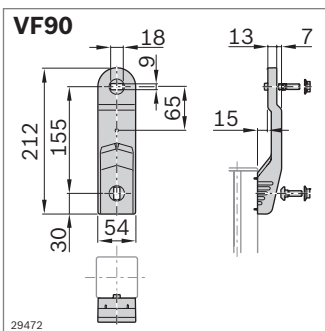
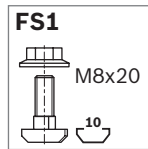
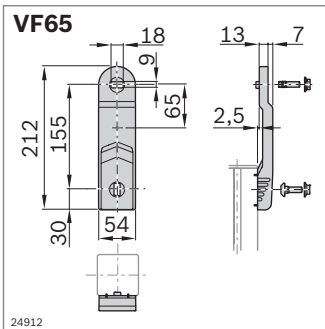
Material: Steel, galvanized



Holder AL



- ▶ For connecting profiles at right-angles to each other and with defined spacing, e.g. for floor supports made of 80x80L or 60x60 profiles
- ▶ Longitudinal connection possible in all profiles with 10 mm slot
- ▶ Transverse connection possible with 40 mm slot spacing
- ▶ Profile machining: not required



Holder	b (mm)	A (mm)		No.	FS
VFplus 65	65	2.5	Set	3 842 546 625	8xFS1

Material: Holder: diecast aluminum; silver
Fastening material: steel, galvanized

Scope of delivery: 2 x holder, fastening material (FS)

Holder	b (mm)	A (mm)		No.	FS
VFplus 90	90	15	Set	3 842 546 626	8xFS1

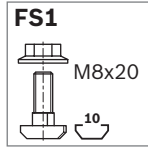
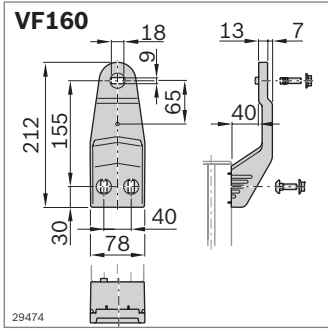
Material: Holder: diecast aluminum; silver
Fastening material: steel, galvanized


Scope of delivery: 2 x holder, fastening material (FS)

Holder	b (mm)	A (mm)		No.	FS
VFplus 120	120	30	Set	3 842 546 627	8xFS1

Material: Holder: diecast aluminum, silver
Fastening material: steel, galvanized

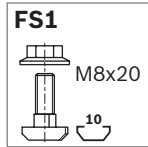
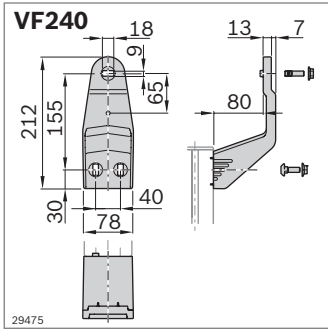
Scope of delivery: 2 x holder, fastening material (FS)




Holder	b (mm)	A (mm)		No.	FS
VFplus 160	160	40	Set	3 842 546 628	8xFS1

Material: Holder: diecast aluminum, silver
Fastening material: steel, galvanized

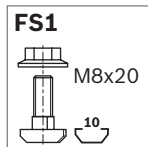
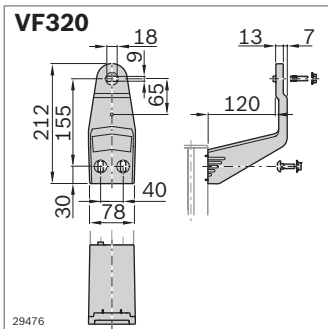
Scope of delivery: 2 x holder, fastening material (FS)




Holder	b (mm)	A (mm)		No.	FS
VFplus 240	240	80	Set	3 842 546 629	8xFS1

Material: Holder: diecast aluminum, silver
Fastening material: steel, galvanized

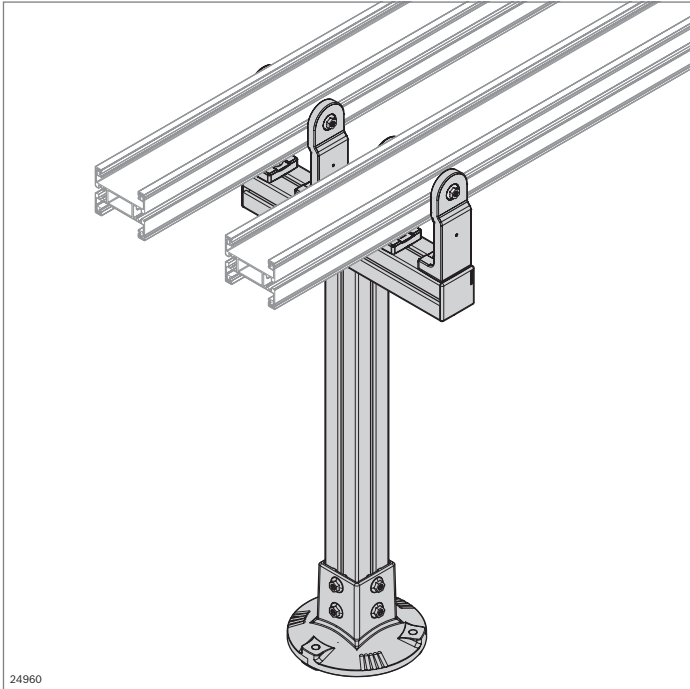
Scope of delivery: 2 x holder, fastening material (FS)



Holder	b (mm)	A (mm)		No.	FS
VFplus 320	320	120	Set	3 842 546 630	8xFS1

Material: Holder: diecast aluminum, silver
Fastening material: steel, galvanized

Scope of delivery: 2 x holder, fastening material (FS)

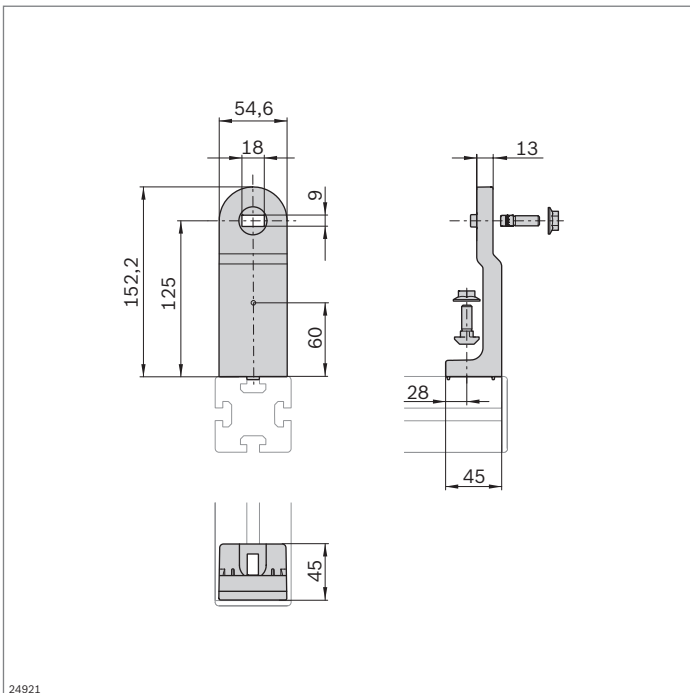


24960

Supporting bracket AL



- ▶ Supporting bracket for connecting two profiles with defined spacing (approx. 2–3 m)
- ▶ Profile machining: not required
- ▶ Centering lugs make centering the supporting brackets in the slot easy
- ▶ If the centering lugs are removed, the supporting bracket can also be used for upward and downward sloping sections (up to approx. 45° depending on the return chain)
- ▶ Very easy to assemble due to push-in screwed connection
- ▶ Easy-clean design with self-draining surfaces

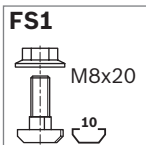


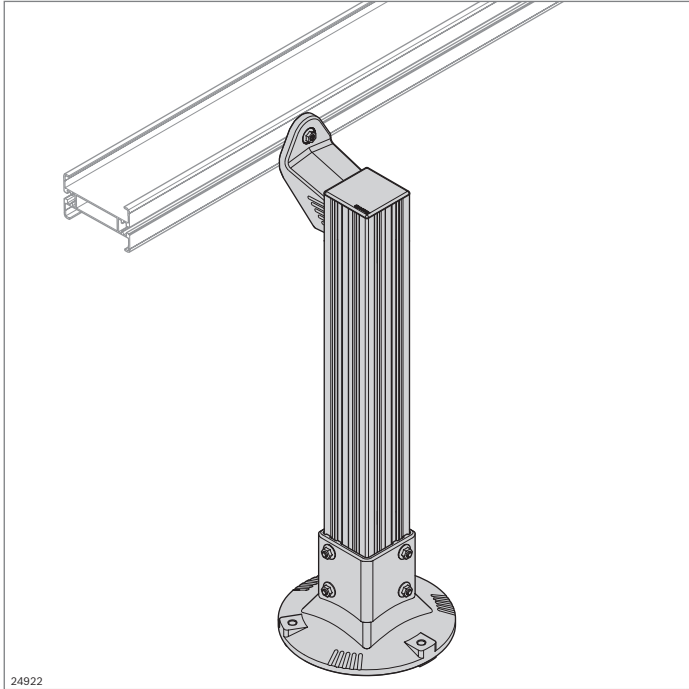
24921

Supporting bracket VFplus AL	No.	FS
Set	3 842 546 632	6xFS1

Material: Holder: diecast aluminum, silver
Fastening material: steel, galvanized

Scope of delivery: Incl. fastening material (FS)

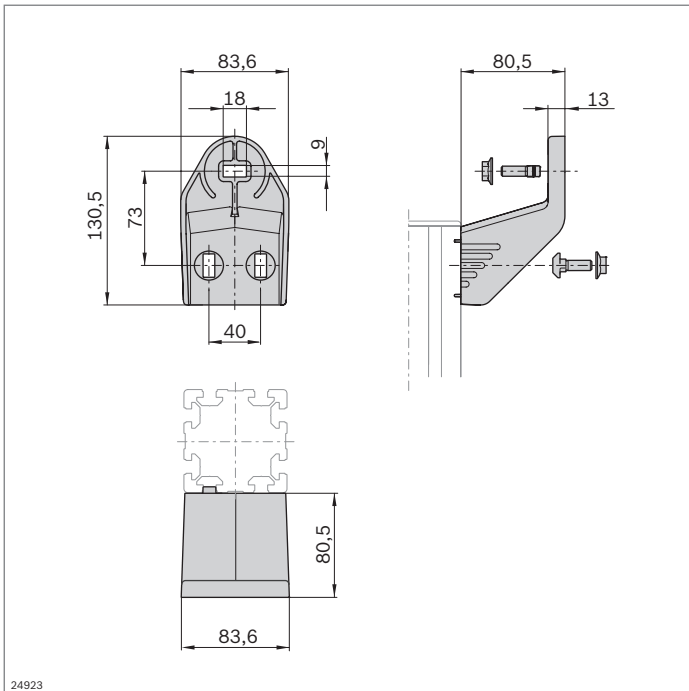




Supporting bracket AL, lateral



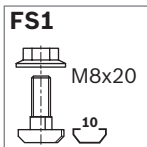
- ▶ Supporting bracket for connecting two profiles with defined spacing (approx. 2–3 m)
- ▶ Profile machining: not required
- ▶ Centering lugs make centering the supporting brackets in the slot easy
- ▶ If the centering lugs are removed, the supporting bracket can also be used for upward and downward sloping sections (up to approx. 45° depending on the return chain)
- ▶ Designed for attachment to a vertical 80x80 strut profile

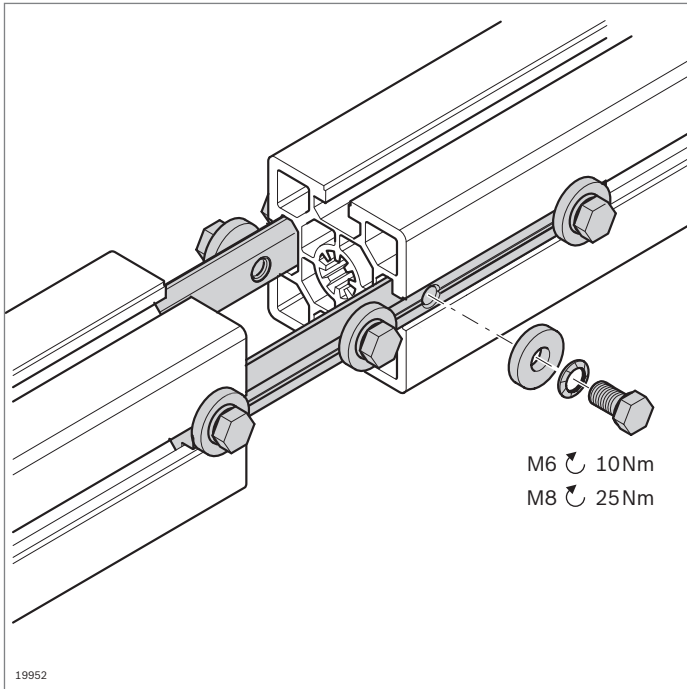


Supporting bracket VFplus lateral AL	No.	FS
Set	3 842 547 461	6xFS1

Material: Holder: diecast aluminum, silver
Fastening material: steel, galvanized

Scope of delivery: Incl. fastening material (FS)

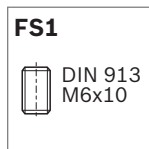
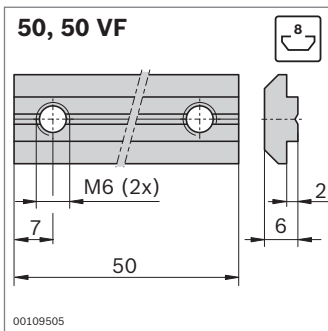




Profile connector

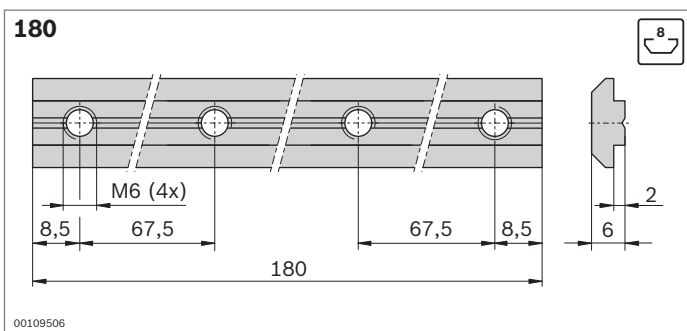


- ▶ Profile connector for end-to-end joining of any profiles
- ▶ For an especially strong connection: one profile connector per slot
- ▶ Profile machining: not required



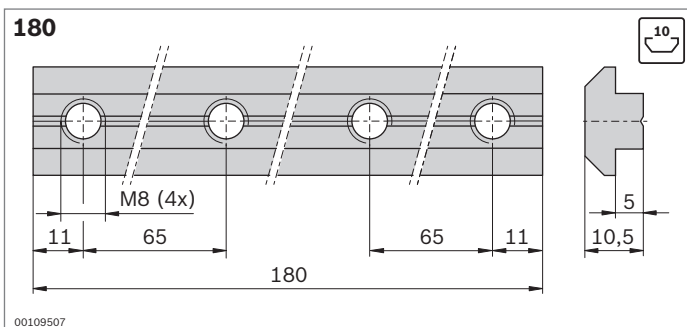
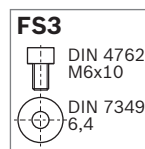
Profile connector	Slot	No.	FS
50 VF	8	10	3 842 536 787 2xFS2
50	8	1	3 842 518 427 2xFS1

Material: Steel, galvanized
Fastening material: steel, galvanized
Scope of delivery: Incl. fastening material (FS)



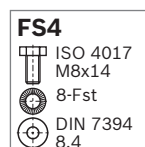
Profile connector	Slot	No.	FS
180	8	1	3 842 521 216 4xFS3

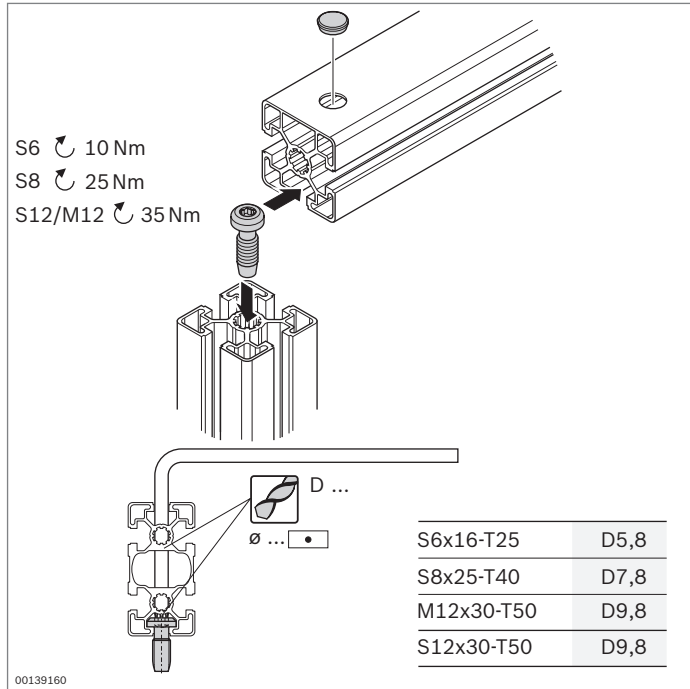
Material: Steel, galvanized
Fastening material: steel, galvanized
Scope of delivery: Incl. fastening material (FS)



Profile connector	Slot	No.	FS
180	10	1	3 842 528 746 4xFS4

Material: Steel, galvanized
Fastening material: steel, galvanized
Scope of delivery: Incl. fastening material (FS)





Central bolt, Anti-torsion element, cap

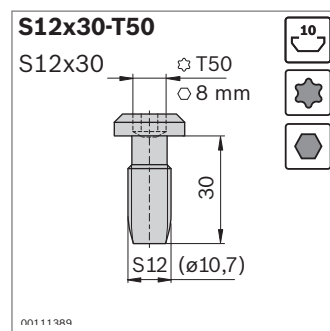
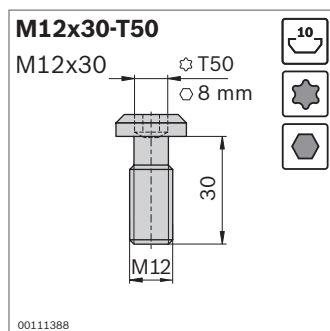
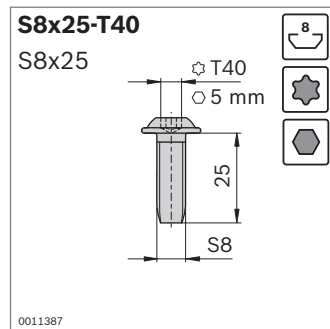
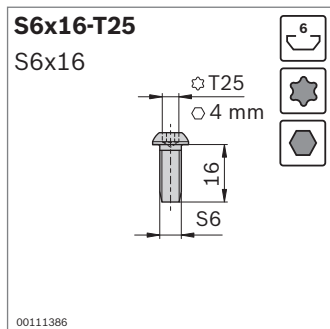


Central bolt

- ▶ Best-value connecting element
- ▶ Self-tapping screw, can be mounted without profile finishing
- ▶ Profile machining:
 - Thread cutting for M12x30 screw
 - Through-hole for screwdriver/offset screwdriver

Tool:

- ▶ Offset screwdriver Torx® (p. 14-6)
- ▶ Hex head screwdriver



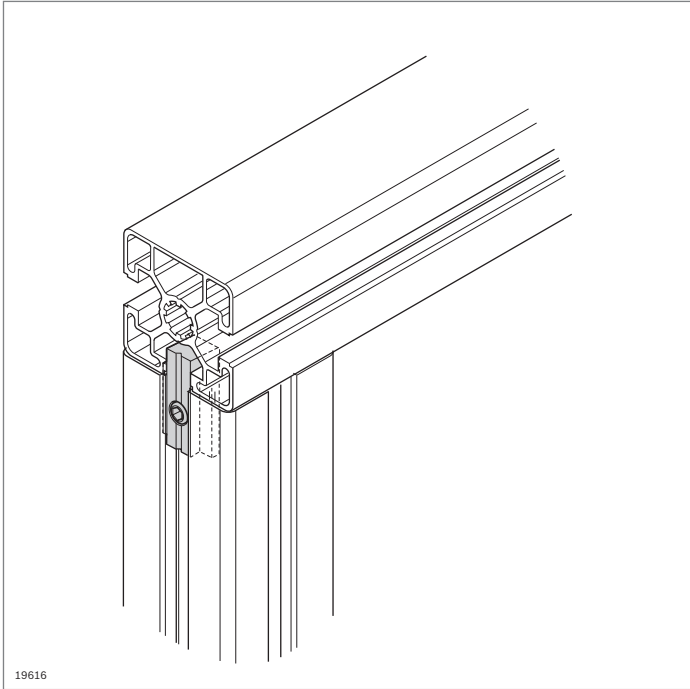
Central bolt	(mm)	Slot	ESD	No.
S6x16	T25	6	100	3 842 528 593
(self-tapping)	4	6	100	3 842 523 968
S8x25	T40	8	100	3 842 527 174
(self-tapping)	5	8	100	3 842 523 970

Material: Steel, galvanized

Central bolt	(mm)	Slot	ESD	No.
M12x30	T50	10	100	3 842 530 235
	8	10	100	8 981 021 301
S12x30	T50	10	100	3 842 530 236
(self-tapping)	8	10	100	8 981 021 302

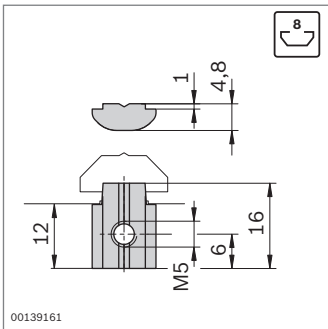
Material: Steel, galvanized

Size	F_{max}	M_{max}
S6	500 N	8 Nm
S8	800 N	43 Nm
S12	1300 N	80 Nm
M12	3000 N	80 Nm



Anti-torsion element

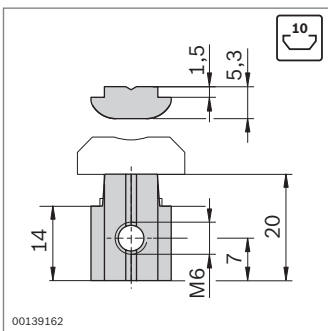
- ▶ Provides torsion resistance for profile connections with central bolts or quick connectors
- ▶ Subsequent installation in the connection possible




FS1



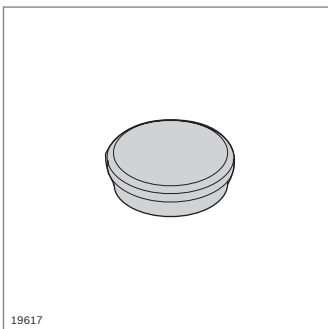
DIN 916
M5x8




FS2




DIN 916
M6x12



Anti-torsion element	Slot		No.	FS
	8	10	3 842 530 325	FS1


Material: Steel, galvanized
Fastening material: steel, galvanized

Anti-torsion element	Slot		No.	FS
	10	10	3 842 530 326	FS2

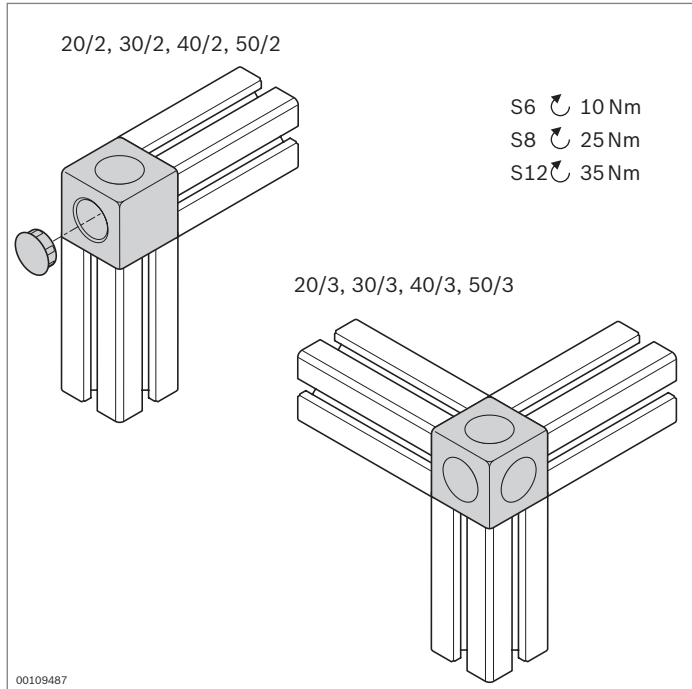
Material: Steel, galvanized
Fastening material: steel, galvanized

Cap

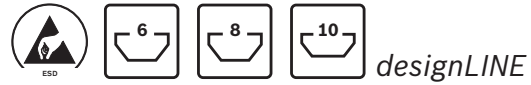
- ▶ For sealing through-holes in closed profiles

Cap	∅		No.
Light gray (RAL 7035)	5.8	100	3 842 538 565
	7.8	100	3 842 538 566
	9.8	100	3 842 538 567
Black (RAL 9005)	6.5	1	8 981 005 305
	9.5/9.8	1	8 981 005 306

Material: PA

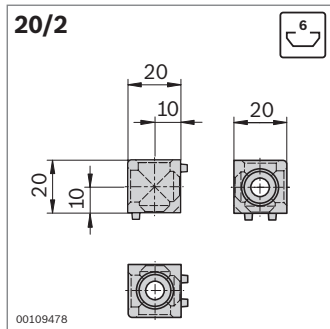


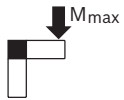
Cubic connector

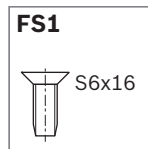







- ▶ For torsion-proof corner connections of profiles with equivalent cross-sections
- ▶ *designLINE* version with special silver paint (RAL 9006) for an attractive, high-quality design
- ▶ Caps to cover the openings
- ▶ Screw fitting on profile with self-tapping screws
- ▶ Profile machining: not required

Technical data (p. 19-8)



Model	 M _{max}
20/2	18 Nm

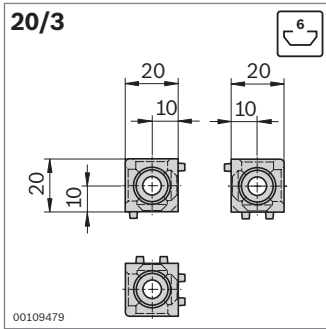


Cubic connector 20/2	Slot	ESD	No.	FS
Set (standard), signal gray	6		1	3 842 549 858 2xFS1
Set <i>designLINE</i> , signal gray	6		1	3 842 549 859 2xFS1
Cubic connector	6		20	3 842 523 875
Cap D12	signal gray (PP)		100	3 842 548 700
	black (PP)		100	3 842 548 704
Countersunk screw S6x16	6		100	3 842 517 132

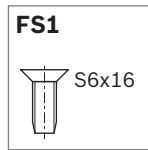
Material: Cubic connector: Die-cast aluminum
designLINE cubic connector: painted (RAL 9006)
 Fastening material: steel, galvanized

Scope of delivery: Set incl. fastening material (FS), caps

* Cubic connector creates conductive connection, but the caps included in the set are not ESD-compatible.



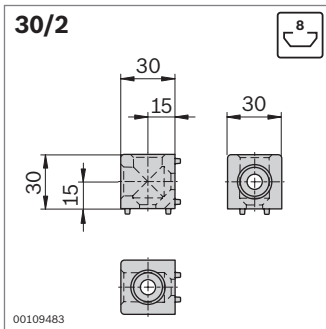
Model	
20/3	23 Nm



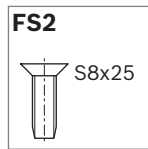
Cubic connector 20/3	Slot ESD	No.	FS
Set (standard), signal gray	6	1	3 842 549 860 3xFS1
Set <i>designLINE</i> , signal gray	6	1	3 842 549 861 3xFS1
Cubic connector	6	20	3 842 523 872
Cap D12		100	3 842 548 700
		100	3 842 548 704
Countersunk screw S6x16	6	100	3 842 517 132

Material: Cubic connector: Die-cast aluminum
designLINE cubic connector: painted (RAL 9006)
 Fastening material: steel, galvanized

Scope of delivery: Set incl. fastening material (FS), caps
 * Cubic connector creates conductive connection, but the caps included in the set are not ESD-compatible.



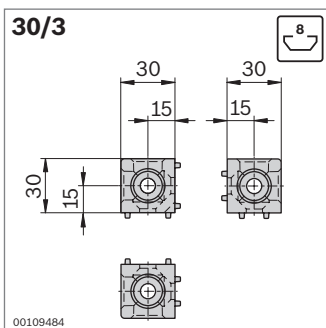
Model	
30/2	80 Nm



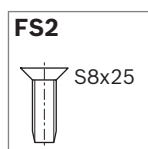
Cubic connector 30/2	Slot ESD	No.	FS
Set (standard), signal gray	8	1	3 842 549 862 2xFS2
Set <i>designLINE</i> , signal gray	8	1	3 842 549 863 2xFS2
Cubic connector	8	20	3 842 523 876
Cap D18		100	3 842 548 701
		100	3 842 548 705
Countersunk screw S8x25	8	100	3 842 517 543

Material: Cubic connector: Die-cast aluminum
designLINE cubic connector: painted (RAL 9006)
 Fastening material: steel, galvanized

Scope of delivery: Set incl. fastening material (FS), cover caps
 * Cubic connector creates conductive connection, but the caps included in the set are not ESD-compatible.



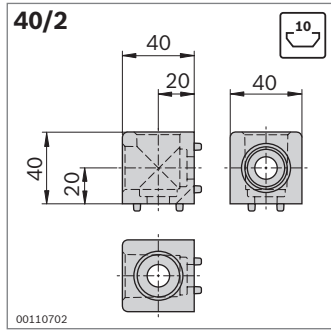
Model	
30/3	85 Nm



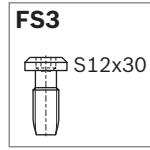
Cubic connector 30/3	Slot ESD	No.	FS
Set (standard), signal gray	8	1	3 842 549 864 3xFS2
Set <i>designLINE</i> , signal gray	8	1	3 842 549 865 3xFS2
Cubic connector	8	20	3 842 523 873
Cap D18		100	3 842 548 701
		100	3 842 548 705
Countersunk screw S8x25	8	100	3 842 517 543

Material: Cubic connector: Die-cast aluminum
designLINE cubic connector: painted (RAL 9006)
 Fastening material: steel, galvanized

Scope of delivery: Set incl. fastening material (FS), cover caps
 * Cubic connector creates conductive connection, but the caps included in the set are not ESD-compatible.



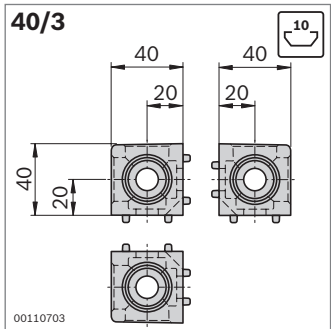
Model	
40/2	60 Nm



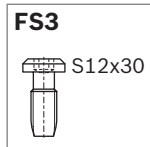
Cubic connector 40/2	Slot	ESD	No.	FS
Set (standard), signal gray	10		1	3 842 549 866 2xFS3
Set <i>designLINE</i> , signal gray	10		1	3 842 549 867 2xFS3
Cubic connector	10		20	3 842 529 010
Cap D24	signal gray (PP)		100	3 842 548 702
	black (PP)		100	3 842 548 706
Countersunk screw S12x30	10		100	3 842 530 236

Material: Cubic connector: Diecast aluminum
designLINE cubic connector: painted (RAL 9006)
 Fastening material: steel, galvanized

Scope of delivery: Set incl. fastening material (FS), caps
 * Cubic connector creates conductive connection, but the caps included in the set are not ESD-compatible.



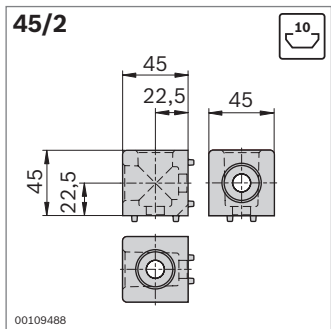
Model	
40/3	70 Nm



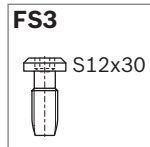
Cubic connector 40/3	Slot	ESD	No.	FS
Set (standard), signal gray	10		1	3 842 549 868 3xFS3
Set <i>designLINE</i> , signal gray	10		1	3 842 549 869 3xFS3
Cubic connector	10		20	3 842 529 011
Cap D24	signal gray (PP)		100	3 842 548 702
	black (PP)		100	3 842 548 706
Countersunk screw S12x30	10		100	3 842 530 236

Material: Cubic connector: Die-cast aluminum
designLINE cubic connector: painted (RAL 9006)
 Fastening material: steel, galvanized

Scope of delivery: Set incl. fastening material (FS), caps
 * Cubic connector creates conductive connection, but the caps included in the set are not ESD-compatible.



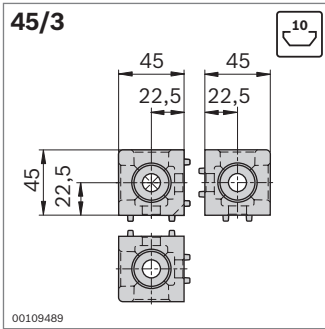
Model	
45/2	45x45L 150 Nm
	45x45 200 Nm



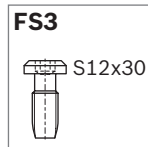
Cubic connector 45/2	Slot	ESD	No.	FS
Set (standard), signal gray	10		1	3 842 549 870 2xFS3
Set <i>designLINE</i> , signal gray	10		1	3 842 549 871 2xFS3
Cubic connector	10		20	3 842 523 877
Cap D24	signal gray (PP)		100	3 842 548 702
	black (PP)		100	3 842 548 706
Countersunk screw S12x30	10		100	3 842 530 236

Material: Cubic connector: die-cast aluminum
designLINE cubic connector: painted (RAL 9006)
 Fastening material: steel, galvanized

Scope of delivery: Set incl. fastening material (FS), caps
 * Cubic connector creates conductive connection, but the caps included in the set are not ESD-compatible.



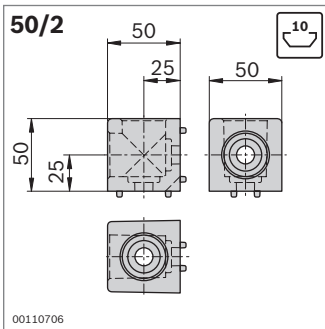
Model		
45/3	45x45L	170 Nm
	45x45	240 Nm



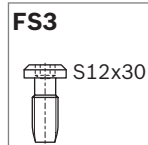
Cubic connector 45/3	Slot	ESD	No.	FS
Set (standard), signal gray	10		1	3 842 549 872 3xFS3
Set <i>designLINE</i> , signal gray	10		1	3 842 549 873 3xFS3
Cubic connector	10		20	3 842 523 874
Cap D24	signal gray (PP)		100	3 842 548 702
	black (PP)		100	3 842 548 706
Countersunk screw S12x30	10		100	3 842 530 236

Material: Cubic connector: Die-cast aluminum
designLINE cubic connector: painted (RAL 9006)
 Fastening material: steel, galvanized

Scope of delivery: Set incl. fastening material (FS), caps
 * Cubic connector creates conductive connection, but the caps included in the set are not ESD-compatible.



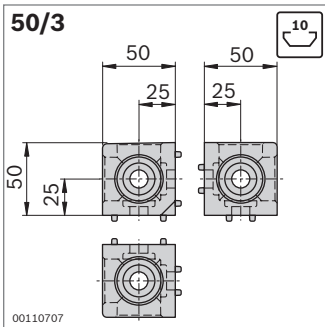
Model		
50/2		120 Nm



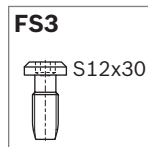
Cubic connector 50/2	Slot	ESD	No.	FS
Set (standard), signal gray	10		1	3 842 549 874 2xFS3
Cubic connector	10		20	3 842 529 012
Cap D30	signal gray (PP)		100	3 842 548 703
	black (PP)		100	3 842 548 707
Countersunk screw S12x30	10		100	3 842 530 236

Material: Cubic connector: die-cast aluminum
 Fastening material: steel, galvanized

Scope of delivery: Set incl. fastening material (FS), caps
 * Cubic connector creates conductive connection, but the caps included in the set are not ESD-compatible.



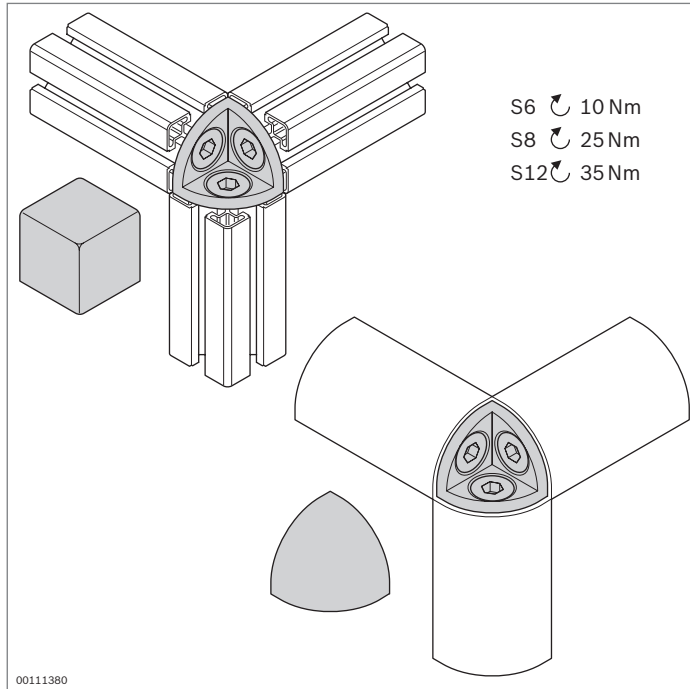
Model		
50/3		140 Nm



Cubic connector 50/3	Slot	ESD	No.	FS
Set (standard), signal gray	10		1	3 842 549 876 3xFS3
Cubic connector	10		20	3 842 529 013
Cap D30	signal gray (PP)		100	3 842 548 703
	black (PP)		100	3 842 548 707
Countersunk screw S12x30	10		100	3 842 530 236

Material: Cubic connector: die-cast aluminum
 Fastening material: steel, galvanized

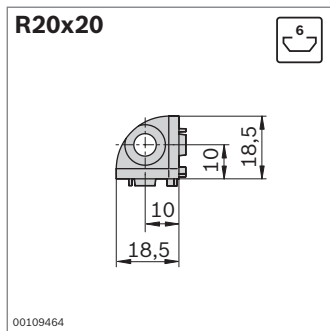
Scope of delivery: Set incl. fastening material (FS), caps
 * Cubic connector creates conductive connection, but the caps included in the set are not ESD-compatible.



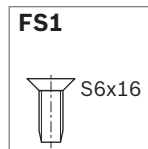
Corner bracket



- ▶ Corner bracket for corner connection of three square or half-round profiles with equivalent cross-sections
- ▶ Screw fitting on profiles with self-tapping screws
- ▶ Ball or cubic caps to prevent injuries and avoid dirt
- ▶ Profile machining: not required



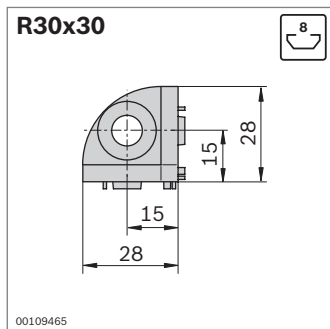
Model	
20/3	23 Nm



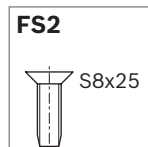
R20x20	Slot	ESD	No.	FS
Corner bracket	6		1	3 842 519 318 3xFS1
Cap K (ball)	signal gray (PP)		10	3 842 548 708
	black (PP)		10	3 842 548 712
Cap W (cube)	signal gray (PP)		10	3 842 548 716
	black (PP)		10	3 842 548 720

Material: Corner bracket: Diecast zinc
Fastening material: steel, galvanized

Scope of delivery: Incl. fastening material (FS)



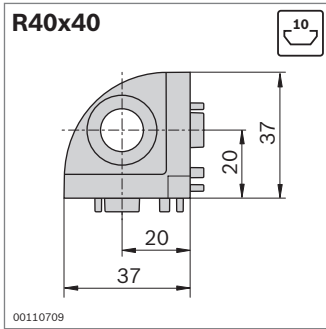
Model	
30/3	85 Nm



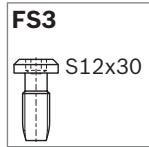
R30x30	Slot	ESD	No.	FS
Corner bracket	8		1	3 842 519 319 3xFS2
Cap K (ball)	signal gray (PP)		10	3 842 548 709
	black (PP)		10	3 842 548 713
Cap W (cube)	signal gray (PP)		10	3 842 548 717
	black (PP)		10	3 842 548 721

Material: Corner bracket: Diecast zinc
Fastening material: steel, galvanized

Scope of delivery: Incl. fastening material (FS)



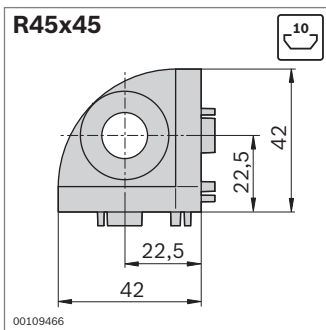
Model	
40/3	70 Nm



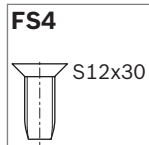
R40x40	Slot	ESD	No.	FS
Corner bracket	10		1	3 842 529 404 3xFS3
Cap K (ball)	signal gray (PP)		10	3 842 548 710
	black (PP)		10	3 842 548 714
Cap W (cube)	signal gray (PP)		10	3 842 548 718
	black (PP)		10	3 842 548 722

Material: Corner bracket: Diecast zinc
Fastening material: steel, galvanized

Scope of delivery: Incl. fastening material (FS)



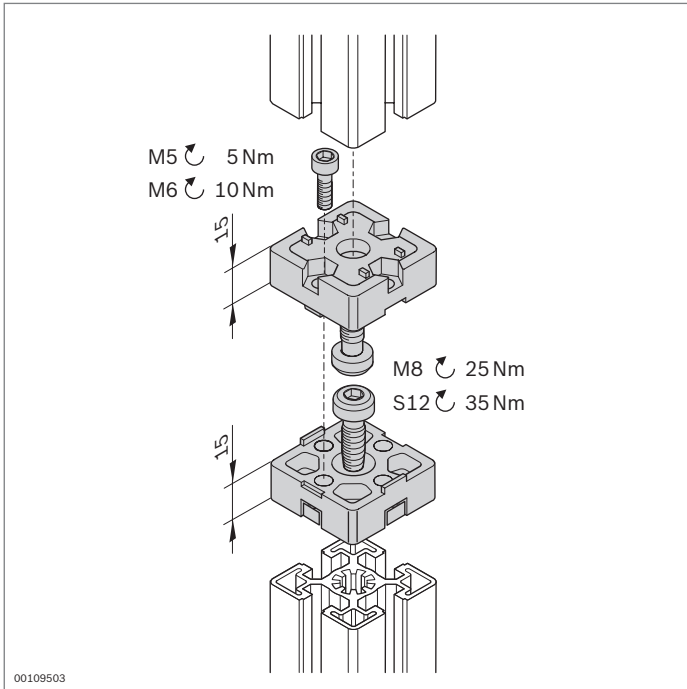
Model		
45/3	45x45L	170 Nm
	45x45	240 Nm



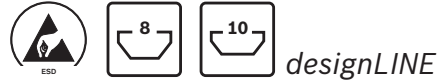
R45x45	Slot	ESD	No.	FS
Corner bracket	10		1	3 842 519 321 3xFS4
Cap K (ball)	signal gray (PP)		10	3 842 548 711
	black (PP)		10	3 842 548 715
Cap W (cube)	signal gray (PP)		10	3 842 548 719
	black (PP)		10	3 842 548 723

Material: Corner bracket: Diecast zinc
Fastening material: steel, galvanized

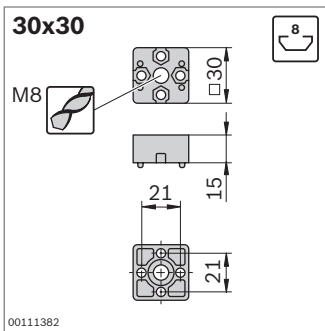
Scope of delivery: Incl. fastening material (FS)



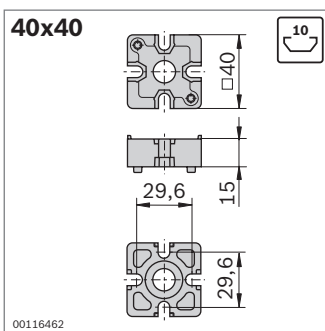
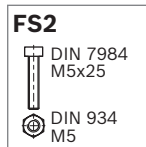
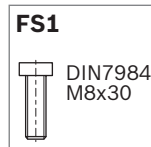
End connector



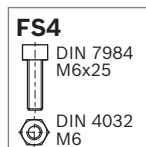
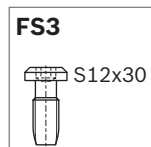
- ▶ For end-to-end profile connections
- ▶ *designLINE* version with special silver paint (RAL 9006) for an attractive, high-quality design
- ▶ Profile machining:
 - 30x30: M8 thread cutting in core
 - 40x40, 45x45, 50x50: not required



Model	
30x30	81 Nm



Model	
40x40	170 Nm



End connector	Slot	ESD	No.	FS
30x30 Set (standard)	8		3 842 526 003	2xFS1, 4xFS2
<i>designLINE</i> set	8		3 842 538 656	2xFS1, 4xFS2

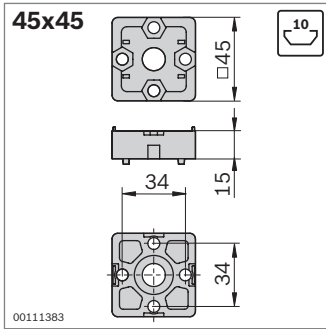
Material: End connector: diecast aluminum
designLINE end connector: painted (RAL 9006)
 Fastening material: steel, galvanized

Scope of delivery: Set incl. fastening material (FS)

End connector	Slot	ESD	No.	FS
40x40 Set (standard)	10		3 842 532 196	2xFS3, 4xFS4
<i>designLINE</i> set	10		3 842 538 657	2xFS3, 4xFS4

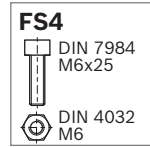
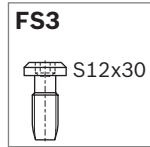
Material: End connector: die-cast aluminum
designLINE end connector: painted (RAL 9006)
 Fastening material: steel, galvanized

Scope of delivery: Set incl. fastening material (FS)



00111383

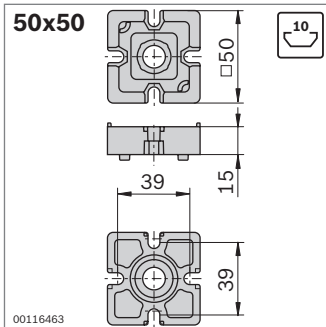
Model	
45x45	200 Nm



End connector	Slot	ESD	No.	FS
45x45 Set (standard)	10		3 842 191 175	2xFS3, 4xFS4
<i>designLINE</i> set	10		3 842 538 658	2xFS3, 4xFS4

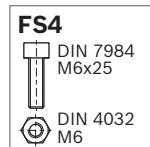
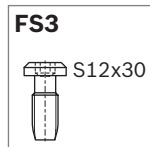
Material: End connector: Diecast zinc
designLINE end connector: painted (RAL 9006)
Fastening material: steel, galvanized

Scope of delivery: Set incl. fastening material (FS)



00116463

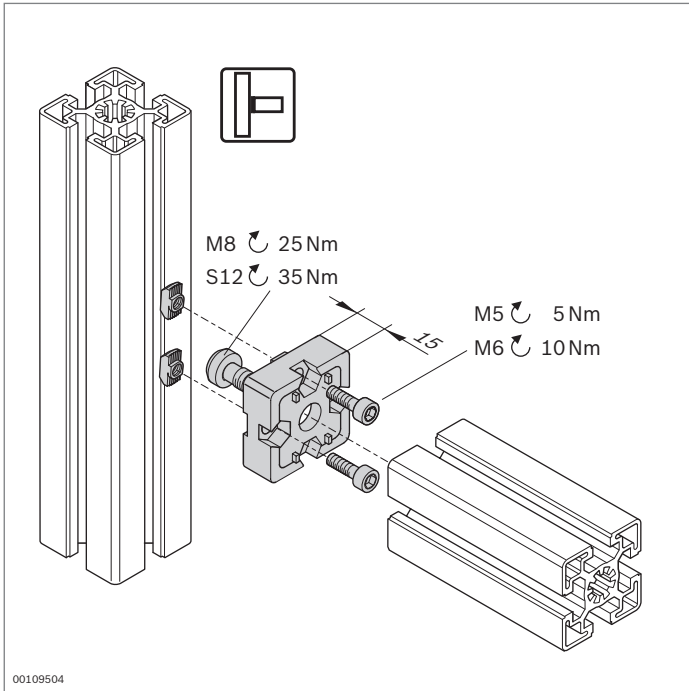
Model	
50x50	180 Nm



End connector	Slot	ESD	No.	FS
50x50 Set (standard)	10		3 842 532 199	2xFS3, 4xFS4

Material: End connector: Diecast zinc
Fastening material: steel, galvanized

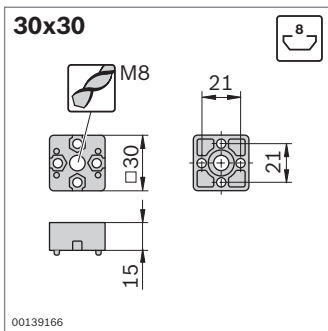
Scope of delivery: Set incl. fastening material (FS)



T-connector

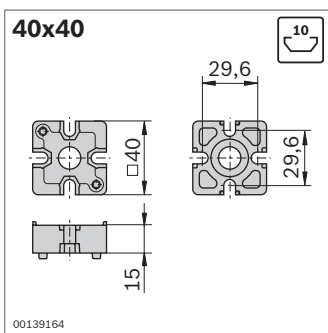


- ▶ For right-angled profile connections
- ▶ *designLINE* version with special silver paint (RAL 9006) for an attractive, high-quality design
- ▶ Profile machining:
 - 30x30: M8 thread cutting in central bores
 - 40x40, 45x45, 50x50: not required



Model	F_{max}	M_{max}
30x30	4000 N	80 Nm

FS1	FS2
DIN 7984 M8x30	DIN 7984 M5x16



Model	F_{max}	M_{max}
40x40	9000 N	150 Nm

FS3	FS4
S12x30	DIN 7984 M6x20

T-connector	Slot	ESD	No.	FS
30x30 Set (standard)	8	⚡	3 842 524 476	1xFS1, 2xFS2
<i>designLINE</i> set	8	⚡	3 842 538 696	1xFS1, 2xFS2

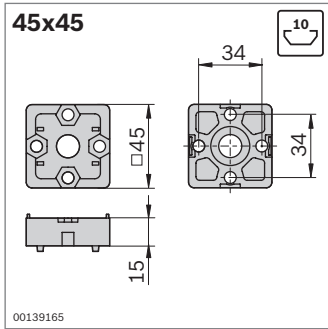
Material: T-connector: diecast aluminum
designLINE T-connector: painted (RAL 9006)
 Fastening material: steel, galvanized

Scope of delivery: Set incl. fastening material (FS)

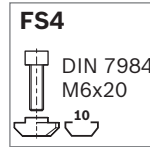
T-connector	Slot	ESD	No.	FS
40x40 Set (standard)	10	⚡	3 842 532 195	1xFS3, 2xFS4
<i>designLINE</i> set	10	⚡	3 842 538 697	1xFS3, 2xFS4

Material: T-connector: diecast aluminum
designLINE T-connector: painted (RAL 9006)
 Fastening material: steel, galvanized

Scope of delivery: Set incl. fastening material (FS)

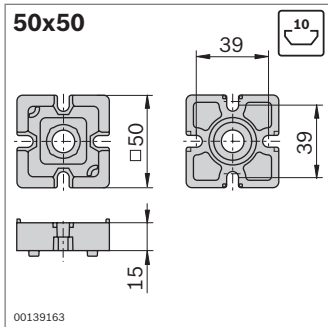


Model		
45x45	9000 N	200 Nm

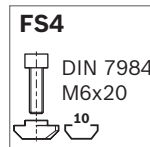
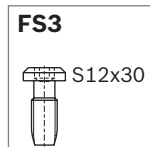


T-connector	Slot	ESD	No.	FS
45x45 Set (standard)	10		3 842 520 802	1xFS3, 2xFS4
<i>designLINE</i> set	10		3 842 538 698	1xFS3, 2xFS4

Material: T-connector: Diecast zinc
designLINE T-connector: painted (RAL 9006)
 Fastening material: steel, galvanized
 Scope of delivery: Set incl. fastening material (FS)

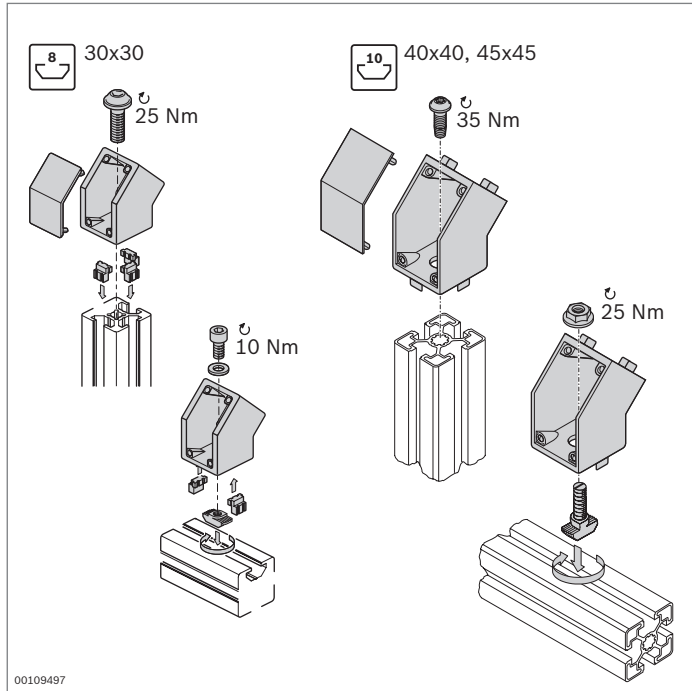


Model		
50x50	10 000 N	170 Nm

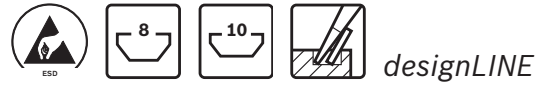


T-connector	Slot	ESD	No.	FS
50x50 Set (standard)	10		3 842 532 198	1xFS3, 2xFS4

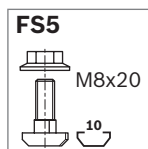
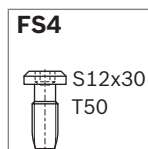
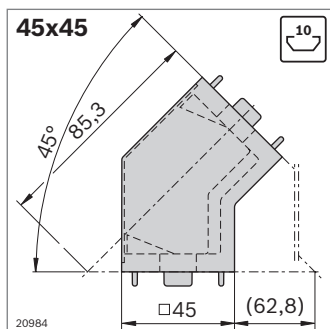
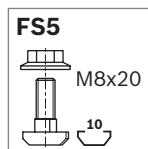
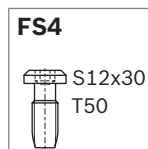
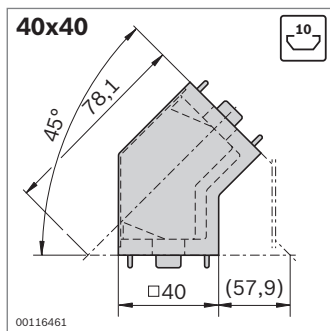
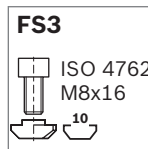
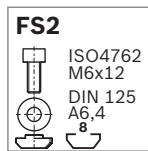
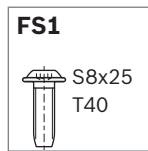
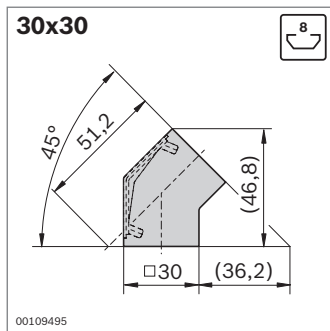
Material: T-connector: Diecast zinc
 Fastening material: steel, galvanized
 Scope of delivery: Set incl. fastening material (FS)



Connector 45°



- ▶ For connecting profiles at an angle of less than 45°
- ▶ Suitable for reinforcing frames
- ▶ Suitable for connections at the end-face or in the profile slot
- ▶ Connectors 45° 40x40 and 45x45 with centering lugs for easy positioning (centering lugs can simply be broken off for installation in the profile slot)
- ▶ *designLINE* version with special silver paint (RAL 9006) for an attractive, high-quality design
- ▶ Profile machining: not required



Connector 45°	Slot	ESD	No.	FS
30x30 Set (standard)	8	⚡	3 842 518 426	2xFS1, FS2, FS3
<i>designLINE</i> set	8	⚡	3 842 538 700	2xFS1, FS2, FS3

Material Connector 45°: Diecast zinc
designLINE 45° connector: painted (RAL 9006)
 Centering element, cap: PA; black
 Fastening material: steel, galvanized

Scope of delivery: Set incl. fastening material (FS), 6 x centering piece, cap

Connector 45°	Slot	ESD	No.	FS
40x40 Set (standard)	10	⚡	3 842 532 205	2xFS4, FS5
<i>designLINE</i> set	10	⚡	3 842 538 701	2xFS4, FS5

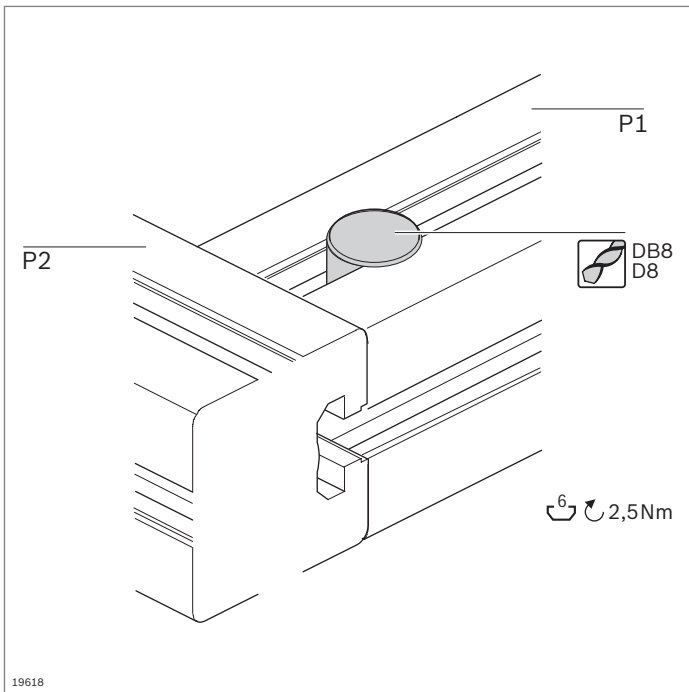
Material Connector 45°: cast aluminum
designLINE 45° connector: painted (RAL 9006)
 Cap: PA; black
 Fastening material: steel, galvanized

Scope of delivery: Set incl. fastening material (FS), cover cap

Connector 45°	Slot	ESD	No.	FS
45x45 Set (standard)	10	⚡	3 842 535 428	2xFS4, FS5
<i>designLINE</i> set	10	⚡	3 842 538 702	2xFS4, FS5

Material Connector 45°: cast aluminum
designLINE 45° connector: painted (RAL 9006)
 Cap: PA; black
 Fastening material: steel, galvanized

Scope of delivery: Set incl. fastening material (FS), cap

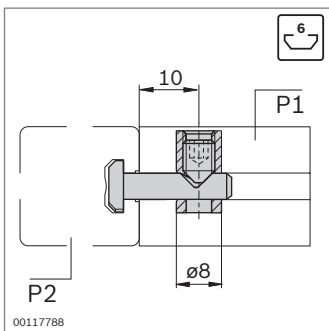
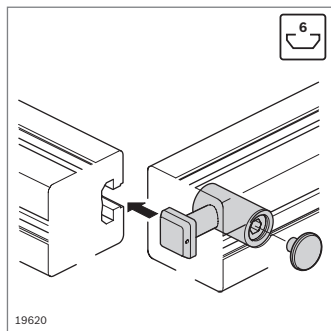
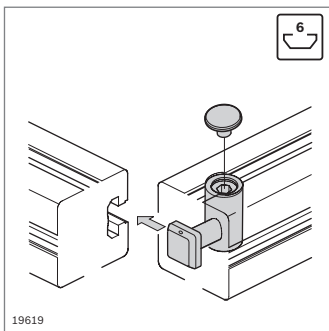


Quick connector, 6 mm slot, 0°, 90° cap



- ▶ For right-angled connections between two profiles
- ▶ Excellent accessibility for tools during mounting
- ▶ Quick connector for 6 mm slot with square head; can be used as a 0° or 90° connector
- ▶ Profile machining:
blind hole DB8 or through-hole D8

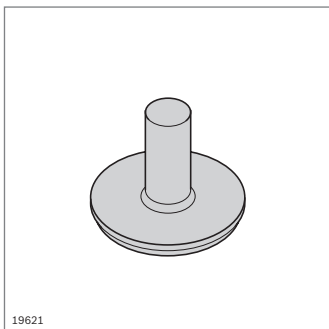
Accessories, optional:
drilling jig (p. 14-2)



Slot	F_{max}	M_{max}
6 / 6	450 N	18 Nm

Quick-clamp connector, P1 / P2	D (mm)	ESD	No.
0° / 90°	6 / 6	8	10
3 842 537 013			

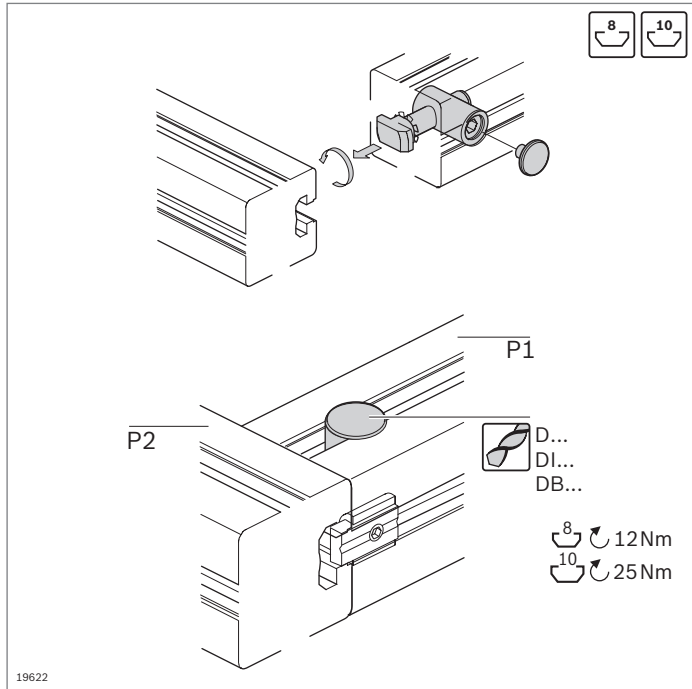
Material: Steel, stainless



- ▶ Cap for connector sleeves

Cap	D (mm)	No.
	8	100
3 842 538 562		

Material: PE, light gray RAL 7035



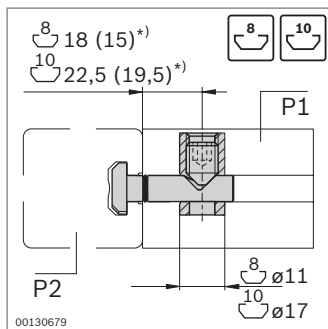
Quick connector, 8/10 mm slot, 0°



- ▶ For right-angled connections between two profiles
- ▶ Excellent accessibility for tools during mounting
- ▶ O-ring for mounting enables overhead assembly
- ▶ Quick connectors can be swiveled into the profile slot at the point of assembly
- ▶ Profile machining:
blind hole DI, DB11, DB17 or through hole DI, D11, D17
- ▶ Note differing drilling intervals and load-bearing capacities when using with radial compensation ("Technical data" p. 19-6)

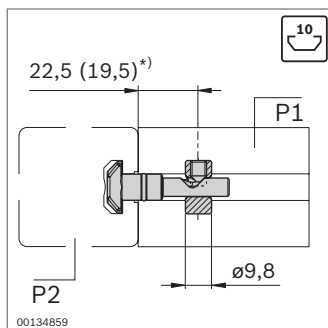
Accessories, optional:

- ▶ Anti-torsion element (p. 3-41)
- ▶ Radial compensation (p. 2-87)
- ▶ Drilling jig (p. 14-2)
- ▶ Cap (p. 3-53)



Slot	F_{max}	M_{max}
8 / 8	500 N	40 Nm
8 / 10	2000 N	70 Nm
10 / 10	4000 N	140 Nm

*) With the use of a radial compensation



Slot	F_{max}	M_{max}
10 / 10	800 N	50 Nm

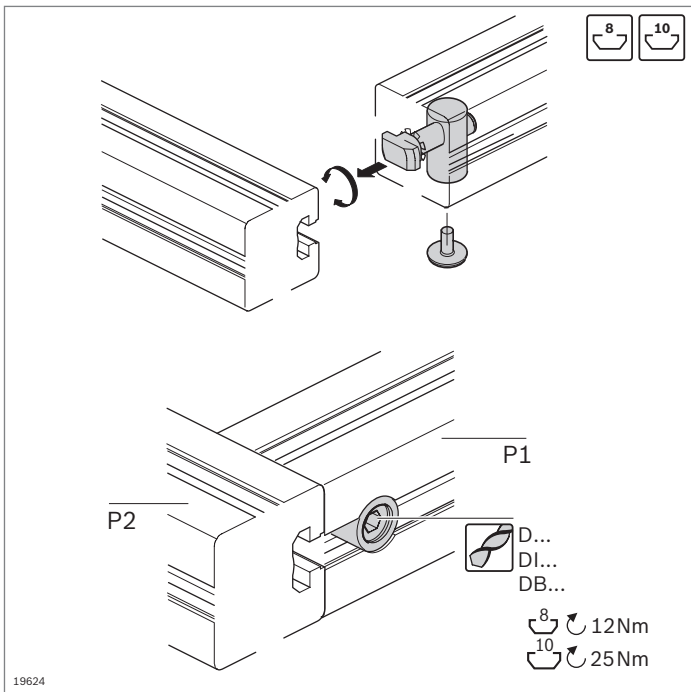
*) With the use of radial compensation

Quick connector, 0°	P1 / P2	D	ESD	No.
		(mm)		
Steel, galvanized	8 / 8	11	⚡	3 842 535 459
	8 / 10	11	⚡	3 842 535 464
	10 / 10	17	⚡	3 842 535 458
Steel, stainless	8 / 8	11	⚡	3 842 548 934
	8 / 10	11	⚡	3 842 548 935
	10 / 10	17	⚡	3 842 548 936

- ▶ Quick connector 9.8 with smaller connector sleeve
- ▶ The hole for the connector sleeve does not make contact with the slot flanks. This permits a visually attractive connection; the slot can be completely closed with the cover profile

Quick connector 0°, connector sleeve	P1 / P2	D	ESD	No.
		(mm)		
D = 9.8				
Steel, galvanized	10 / 10	9.8 ¹⁾	⚡	3 842 541 412

¹⁾ No standard hole in modular dimensions 40, 50 and 60, target distance from profile end: 22.5 mm



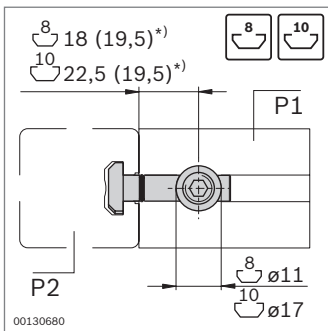
Quick connector, 8/10 mm slot, 90°, Cap



- ▶ Tie rod head rotated at a 90° angle to the connector sleeve
- ▶ Profile machining:
blind hole DI, DB11, DB17 or through hole DI, D11, D17

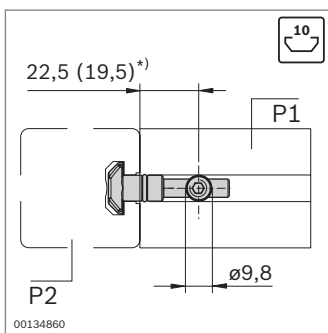
Accessories, optional:

- ▶ Anti-torsion element (p. 3-41)
- ▶ Radial compensation (p. 2-87)
- ▶ Drilling jig (p. 14-2)
- ▶ Cap



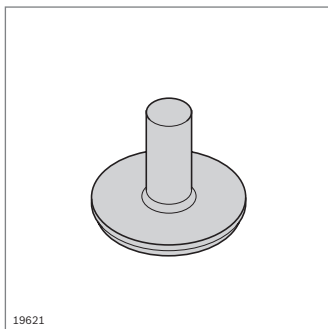
Slot	F_{max}	M_{max}
8 / 8	2000 N	70 Nm
10 / 10	4000 N	140 Nm

*) With the use of a radial compensation



Slot	F_{max}	M_{max}
10 / 10	800 N	50 Nm

*) With the use of a radial compensation



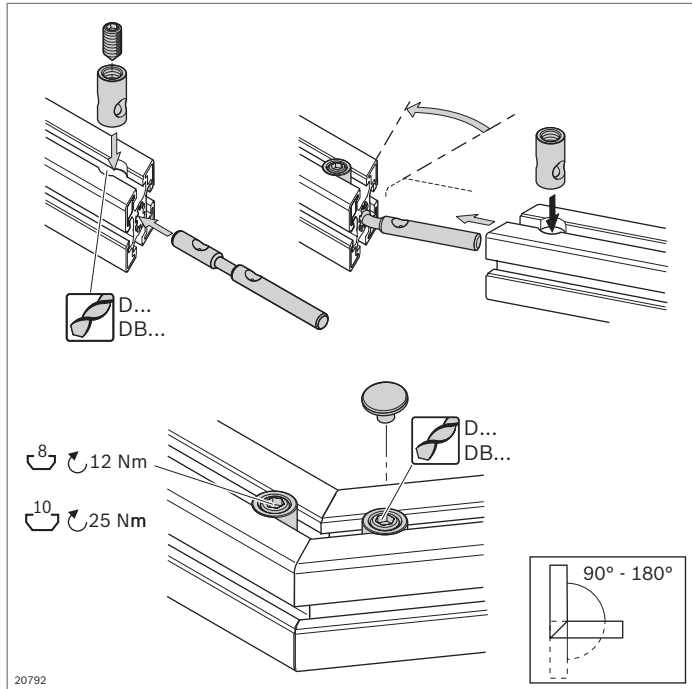
Quick connector, 90°	P1 / P2	D	ESD	No.
		(mm)		
Steel, galvanized	8 / 8	11	⚠	10 3 842 535 465
	10 / 10	17	⚠	10 3 842 535 466
Steel, stainless	8 / 8	11	⚠	10 3 842 548 937
	10 / 10	17	⚠	10 3 842 548 938

Quick connector 90°, connector sleeve	P1 / P2	D	ESD	No.
		(mm)		
D = 9.8				
Steel, galvanized	10 / 10	9.8 ¹⁾	⚠	10 3 842 541 410

¹⁾ No standard hole in modular dimensions 40, 50 and 60
Target distance from profile end: 22.5 mm

Cap	D (mm)	No.
	11	100 3 842 538 563
	17	100 3 842 538 564

Material: PE, light gray RAL 7035



Quick connector, bendable – end-to-end

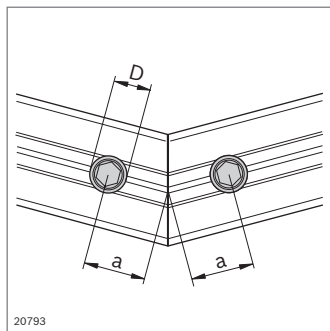


- ▶ For end-to-end connecting of two profiles with equal cross-sections and at any angle, e.g. for frames
- ▶ Profile machining:
 - blind hole DB11, DB17 or through hole D11, D17
 - miter cut

Technical data (p. 19-6)

Accessories:

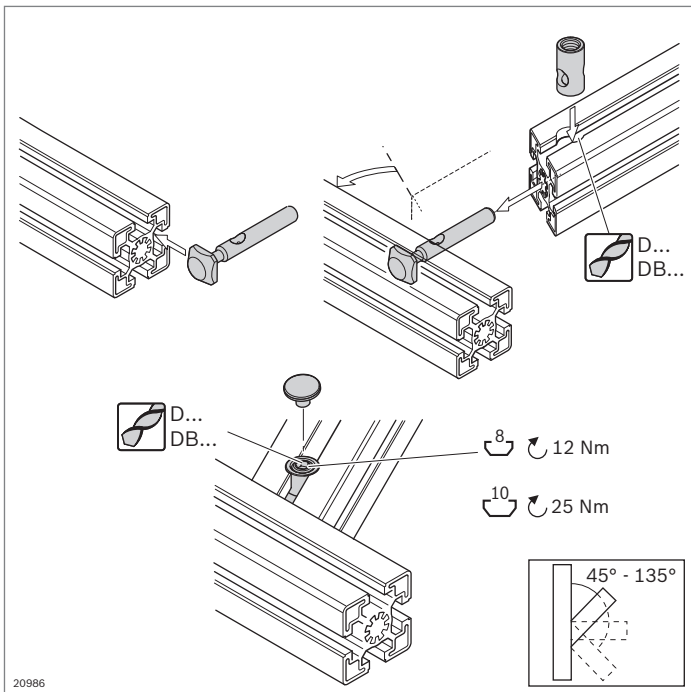
- ▶ drilling jig (p. 14-2)
- ▶ cap (p. 3-53)



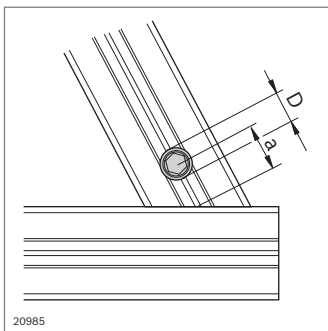
	M_{max} ↓
30x30	24 Nm
40x40L	100 Nm
45x45L	110 Nm
45x45	145 Nm
50x50L	160 Nm

Quick connector, bendable	P1 / P2	a (mm)	D (mm)	ESD		No.
End-to-end	8 / 8	18	11		10	3 842 535 630
	10 / 10	22.5	17		10	3 842 535 634

Material: Tie rod: steel, stainless
Socket: steel, galvanized



20986



20985

Quick connector, bendable – end-to-slot



- ▶ For end-to-slot connecting of two profiles at any angle, e.g. for framework constructions
- ▶ Profile machining:
 - blind hole DB11, DB17 or through-hole D11, D17
 - miter cut

Technical data (p. 19-6)

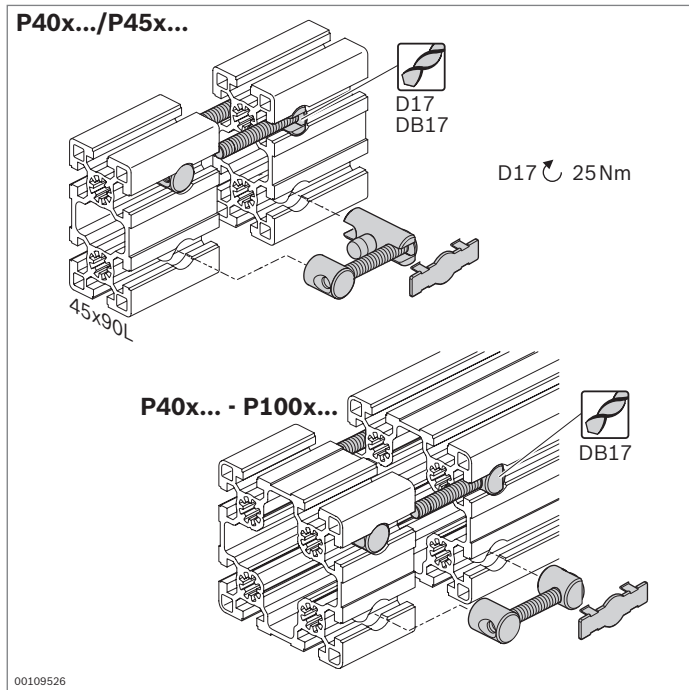
Accessories:

- ▶ drilling jig (p. 14-2)
- ▶ cap (p. 3-53)

Quick connector, bendable	P1 / P2	a (mm)	D (mm)	ESD	No.
End-to-slot	8 / 8	18	11	ESD	10 3 842 535 629
	10 / 10	22.5	17	ESD	10 3 842 535 635

Material: Tie rod: steel, stainless
Socket: steel, galvanized

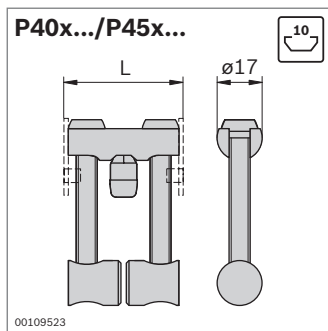
	F_{max}	M_{max}	F_{max}	M_{max}
30x30	1100 N	35 Nm	650 N	40 Nm
40x40L	1500 N	110 Nm	1000 N	80 Nm
45x45L	1500 N	120 Nm	1000 N	95 Nm
45x45	1500 N	140 Nm	1100 N	180 Nm
50x50L	1500 N	150 Nm	1100 N	180 Nm



Longitudinal end connector



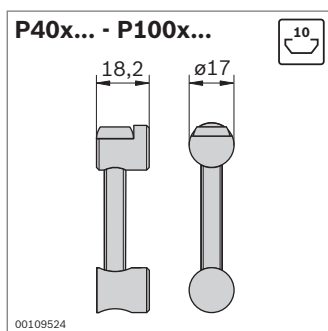
- ▶ For the end-to-end connecting of two profiles
- ▶ Standard profile finishes:
 - Through hole D17 (two-sided longitudinal end connector)
 - Blind hole DB17 or through hole D17 (one-sided longitudinal end connector)



Longitudinal end connector, two-sided	L (mm)	ESD	No.
Profile 40x...	40		3 842 529 293
Profile 45x...	45		3 842 529 248

Material: Longitudinal end connector: screw steel, galvanized
Centering bolt, caps: PA; black

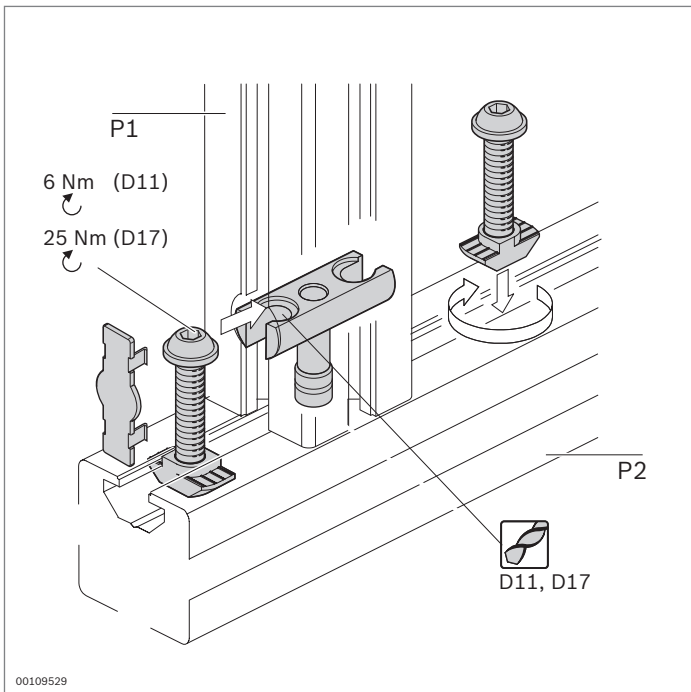
Scope of delivery: Incl. 4 x cap



Longitudinal end connector, one-sided	ESD	No.
Profile 40x... - 100x...		3 842 529 334

Material: Longitudinal end connector: screw steel, galvanized
Centering pin, caps: PA; black

Scope of delivery: Incl. 2 x cap



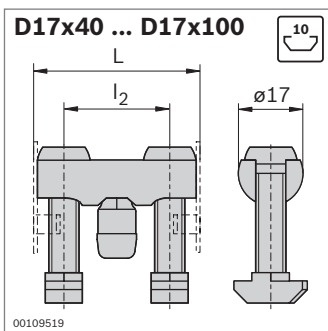
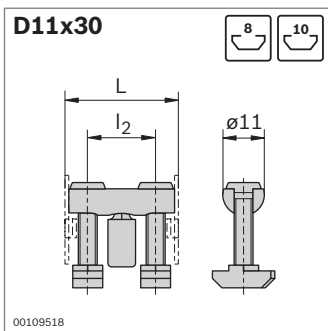
Bolt connector



- ▶ For right-angled connections between two profiles
- ▶ Designed for heavy loads and torsion
- ▶ Can be installed in closed frames
- ▶ Profile machining: through-hole D11, D17

Technical data (p. 19-7)

Accessories:
drilling jig (p. 14-2)



Bolt connector	P1 / P2	L (mm)	I ₂ (mm)	ESD	No.
D11x30	8 / 8	30	18		10 3 842 535 624
	8 / 10	30	18		10 3 842 535 583

Material: Bolt connector: steel, galvanized
Centering pin, caps: PA; black

Scope of delivery: Incl. 2 x cap

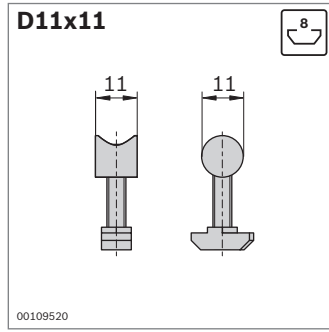
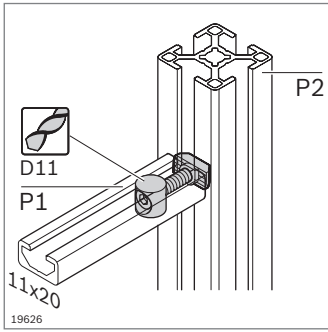
Bolt connector	P1 / P2	L (mm)	I ₂ (mm)	ESD	No.
D17x40	10 / 10	40	23		10 3 842 535 620
D17x45	10 / 10	45	28		10 3 842 500 921
D17x50	10 / 10	50	33		10 3 842 535 621
D17x60	10 / 10	60	43		10 3 842 500 922
D17x80	10 / 10	80	63		10 3 842 535 622
D17x90	10 / 10	90	73		10 3 842 500 923
D17x100	10 / 10	100	83		10 3 842 535 618

Material: Bolt connector: steel, galvanized
Centering bolt, caps: PA; black

Scope of delivery: Incl. 2 x cap

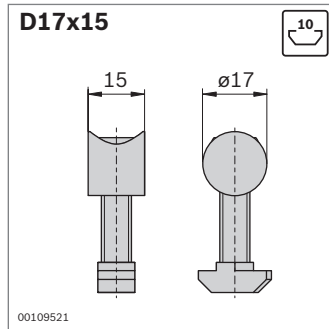
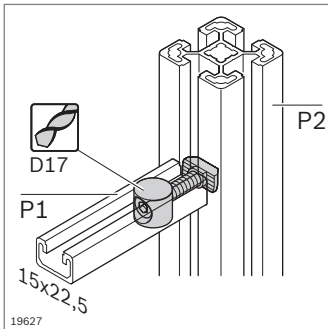
Size			
30	2500 N	60 Nm	20 Nm
40	4000 N	180 Nm	40 Nm
45	4000 N	180 Nm	60 Nm
50	4000 N	200 Nm	65 Nm

Size			
60	4000 N	200 Nm	80 Nm
80	5000 N	800 Nm	170 Nm
90	5000 N	800 Nm	200 Nm
100	5000 N	1000 Nm	480 Nm



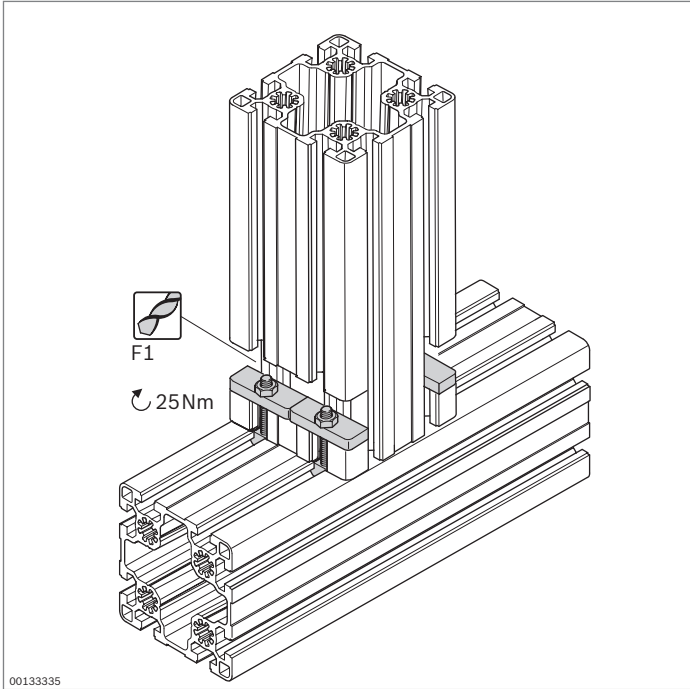
Bolt connector	P1 / P2	ESD	No.
D11x11	8 / 8		10 3 842 535 617

Material: Steel, galvanized



Bolt connector	P1 / P2	ESD	No.
D17x15	10 / 10		10 3 842 535 619

Material: Steel, galvanized

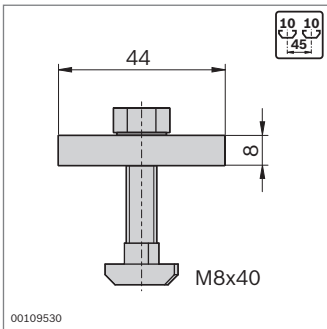


00133335

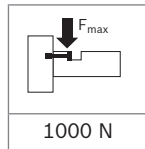
Transverse connector




- ▶ For right-angled connections between two profiles
- ▶ Excellent accessibility for tools during mounting
- ▶ Profile machining: Standard milling F1
- ▶ Bending moments must be avoided

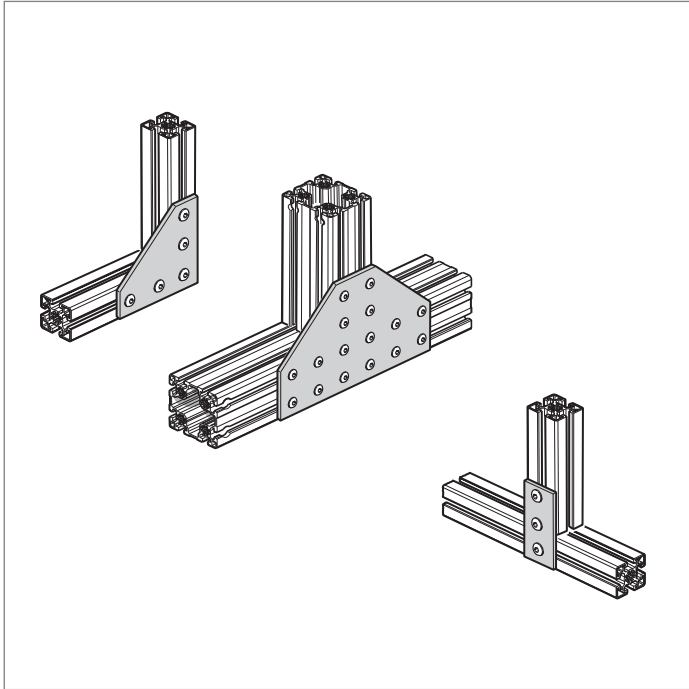


00109530



Transverse connector		No.
	10	3 842 146 972

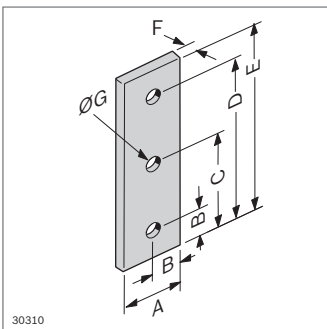
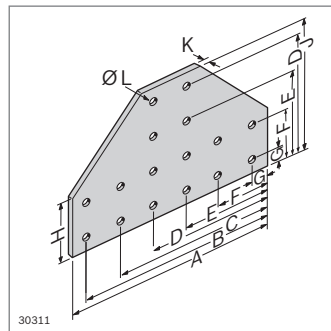
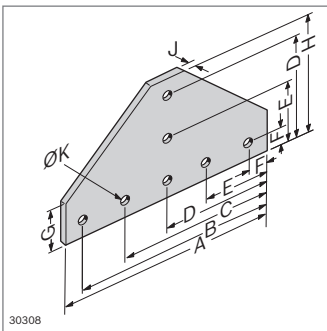
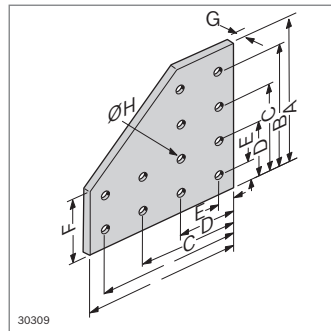
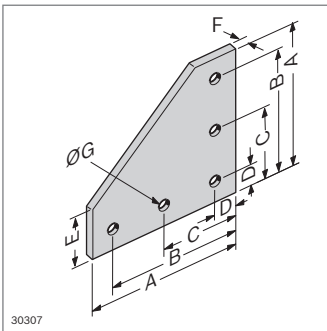
Material: Steel, galvanized



Joining plates



- ▶ Fasten to the outside faces of the profiles, leaving the inner T-slots free for panels or accessories.
- ▶ Can be added to reinforce a structure after initial assembly
- ▶ Three different styles available in a variety of sizes



Corner Joining Plates	Profile	Slot		No.
	30-series	8	1	8 981 019 457
	45-series	10	1	8 981 019 448
	90-series	10	1	8 981 019 452

Material: Clear anodized 6063-T6 aluminum

T-Junction Joining Plates	Profile	Slot		No.
	30-series	8	1	8 981 019 461
	45-series	10	1	8 981 019 450
	90-series	10	1	8 981 019 455

Material: Clear anodized 6063-T6 aluminum

Rectangular Joining Plates	Profile	Slot		No.
	30-series	8	1	8 981 019 458
	45-series	10	1	8 981 019 449

Material: Clear anodized 6063-T6 aluminum

Joints



Joint 45x45 lockable (p. 4-2)



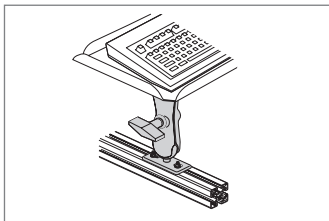
Joints (p. 4-3)



Swivel bearing (p. 4-7)



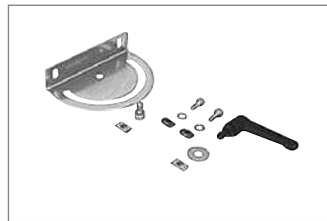
Supporting arm joint (p. 4-8)



Mounting unit, Flat panel monitor (p. 4-9)



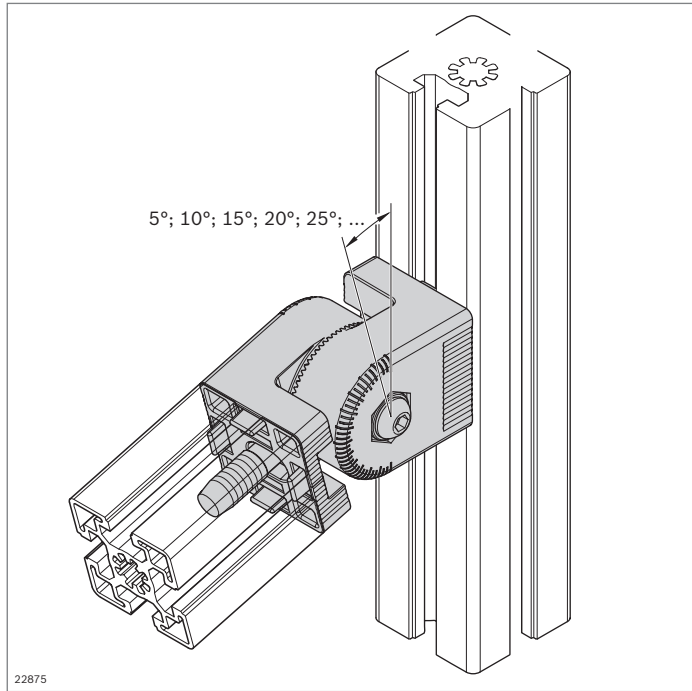
Bearing pedestal (p. 4-10)



Swivel fastening (p. 4-11)



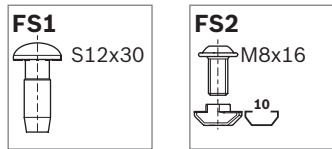
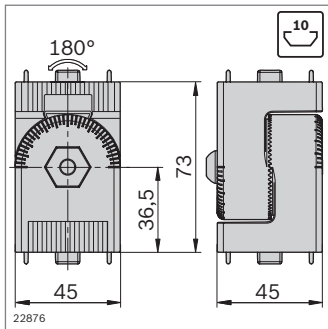
Clamping lever, star knob (p. 4-12)



Joint 45x45 lockable



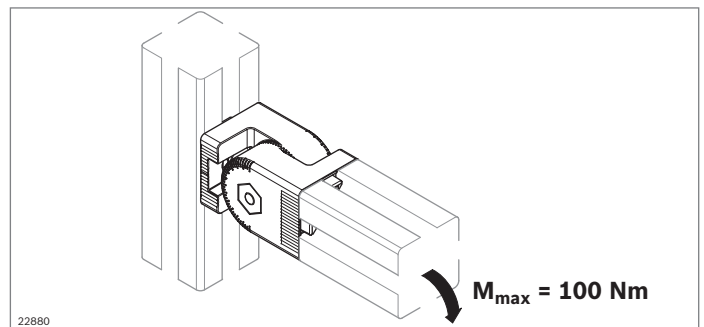
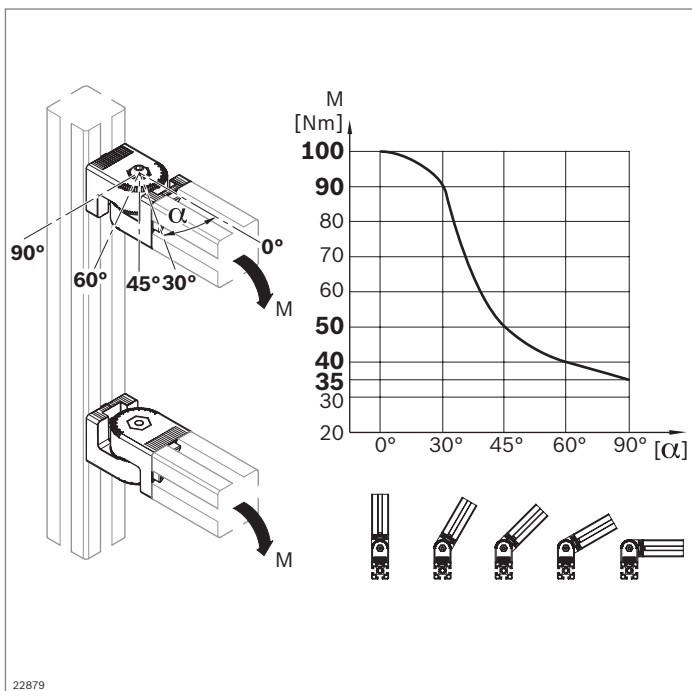
- ▶ For adjustable or rigid profile connections
- ▶ For high loads up to 100 Nm in the swivel direction
- ▶ Form fit thanks to Hirth teething
- ▶ Swivel range 180°
- ▶ Easy adjustment in a 5° grid
- ▶ Marking with a 5° graduation for easy detection of the adjustment angle
- ▶ Clamping and convenient adjustment of joint using a clamping lever or screw
- ▶ Profile finishing: not required (self-tapping screw for front end-to-end connections)
- ▶ Compatible with joint 45x45 and joint 45x45 support (p. 4-4)

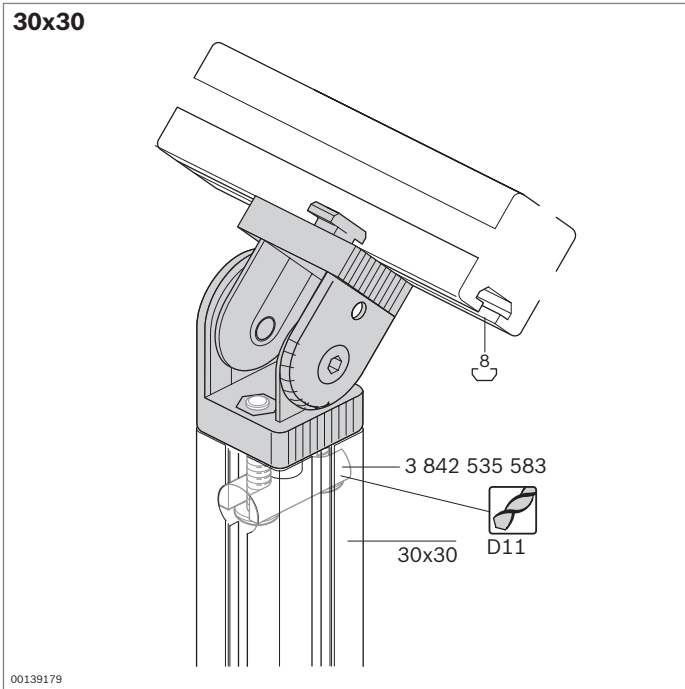


Accessories, optional:
Clamping lever (p. 4-12)

Joint 45x45 lockable	Slot	ESD	No.	FS
	10		3 842 546 564	2xFS1, 2xFS2

Material: Diecast zinc
Fastening material: steel, galvanized
Scope of delivery: Incl. fastening material (FS)



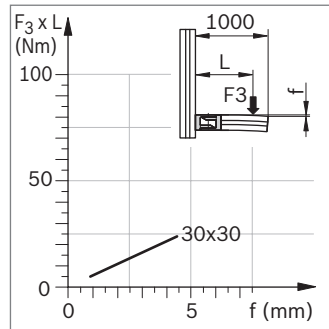
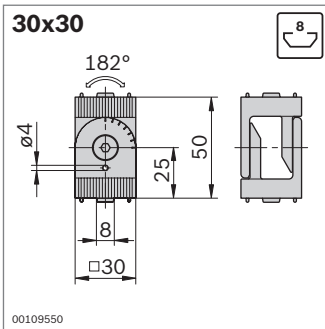


Joint 30x30



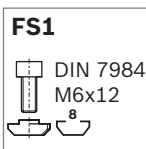
- ▶ For movable or rigid profile connections at any angle
- ▶ Swivel range 182°
- ▶ With a 15° graduation
- ▶ Locking by clamping (5 Nm) or fixing with pins (15 Nm)
- ▶ *designLINE* version with special silver paint (RAL 9006) for an attractive, high-quality design
- ▶ Profile machining:
Through hole D11 for end face profile connections

Required accessories:
bolt connector D11 for end face connections

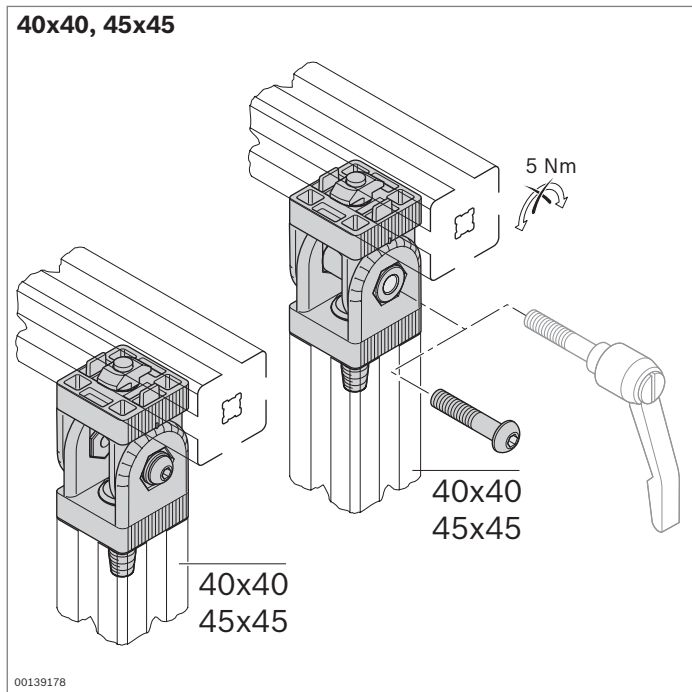


Joint 30x30	Slot	ESD	No.	FS
Standard	8		3 842 502 683	2xFS1, 4xFS2
designLINE	8		3 842 538 683	2xFS1, 4xFS2

Material: Standard: diecast zinc
designLINE: painted, RAL 9006
Fastening material: steel, galvanized
Scope of delivery: Incl. fastening material (FS)



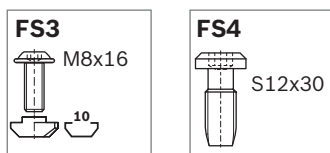
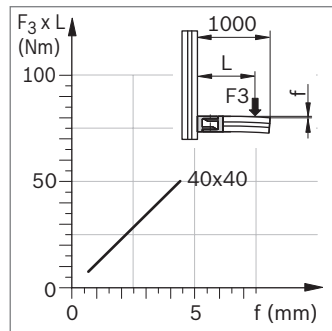
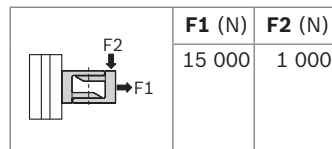
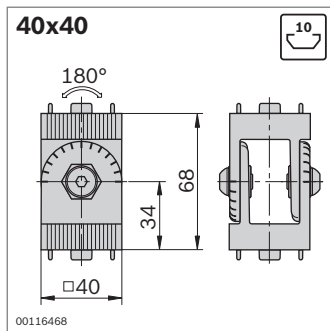
	F1 (N)	F2 (N)
	10 000	600



Joint 40x40, 40x40 support, 45x45, 45x45 support

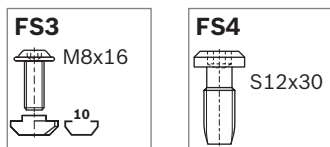
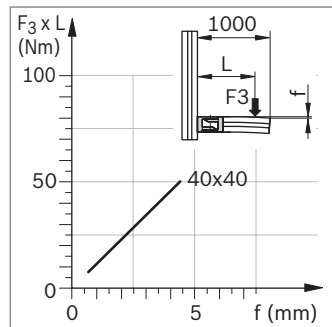
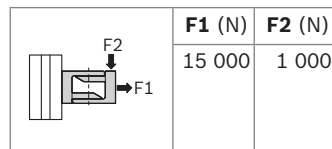
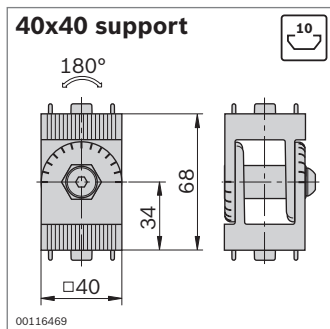


- ▶ For movable or rigid profile connections at any angle
- ▶ Swivel range 180°
- ▶ With a 15° graduation
- ▶ Clamping and convenient adjustment of “support” joint using a clamping lever (5 Nm)
- ▶ *designLINE* version with special silver paint (RAL 9006) for an attractive, high-quality design



Joint 40x40	Slot	ESD	No.	FS
Standard	10		3 842 543 401	2xFS3, 2xFS4
<i>designLINE</i>	10		3 842 538 684	2xFS3, 2xFS4

Material: Standard: diecast aluminum
designLINE: painted, RAL 9006
Fastening material: steel, galvanized
Scope of delivery: Incl. fastening material (FS)

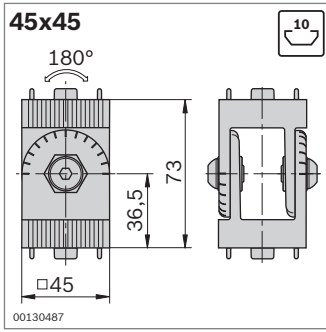


Joint 40x40 support	Slot	ESD	No.	FS
Standard	10		3 842 543 402	2xFS3, 2xFS4
<i>designLINE</i>	10		3 842 538 685	2xFS3, 2xFS4

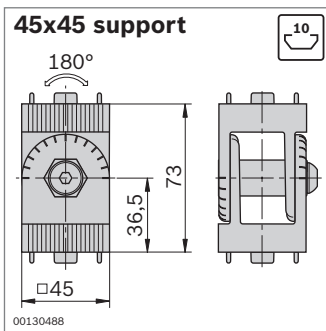
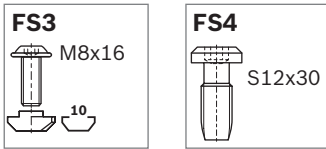
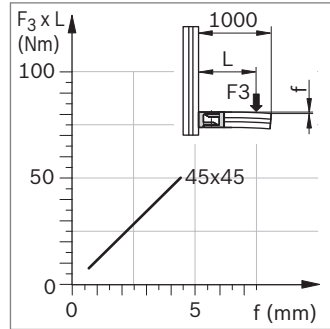
Material: Standard: die-cast aluminum
designLINE: painted, RAL 9006
Fastening material: steel, galvanized
Scope of delivery: Incl. fastening material (FS)

Clamping lever	No.
for joint 40x40 support	3 842 516 847

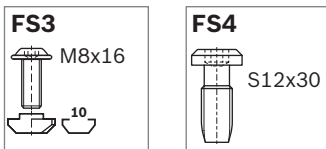
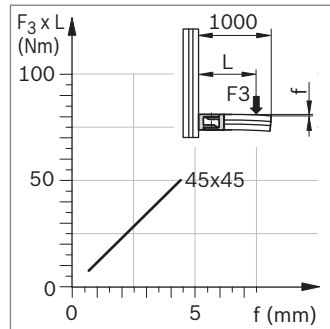
Material: diecast zinc, black polymer coating



	F1 (N)	F2 (N)
	15 000	1 000



	F1 (N)	F2 (N)
	15 000	1 000



Joint 45x45	Slot	ESD No.	FS
Standard	10	3 842 543 403	2xFS3, 2xFS4
designLINE	10	3 842 538 686	2xFS3, 2xFS4

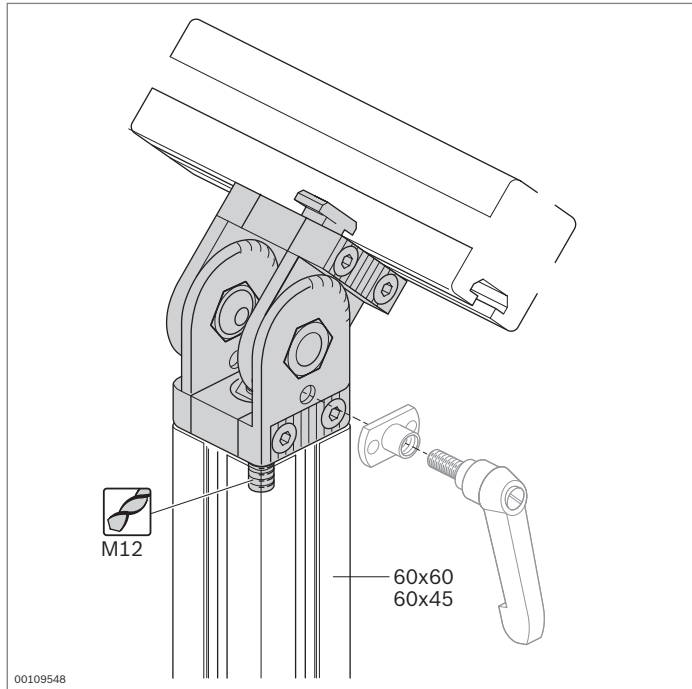
Material: Standard: diecast aluminum
designLINE: painted, RAL 9006
 Fastening material: steel, galvanized
 Scope of delivery: Incl. fastening material (FS)

Joint 45x45 support	Slot	ESD No.	FS
Standard	10	3 842 543 404	2xFS3, 2xFS4
designLINE	10	3 842 538 687	2xFS3, 2xFS4

Material: Standard: diecast aluminum
designLINE: painted, RAL 9006
 Fastening material: steel, galvanized
 Scope of delivery: Incl. fastening material (FS)

Clamping lever	No.
for joint 45x45 support	3 842 538 607

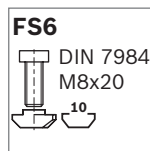
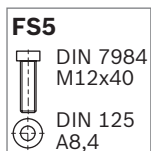
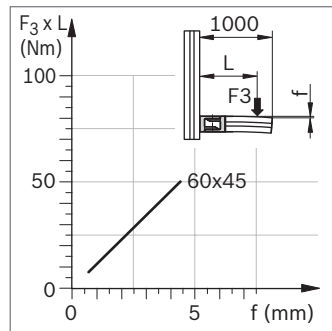
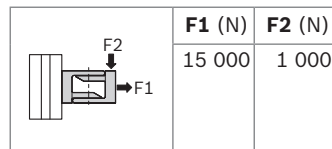
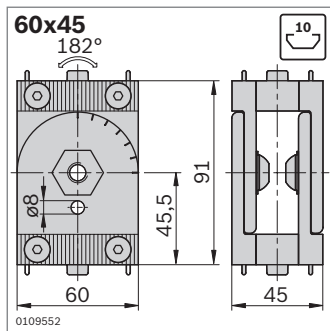
Material: Diecast zinc, black polymer coating



Joint 60x45, 60x60



- ▶ For movable or rigid profile connections at any angle
- ▶ Swivel range 182°
- ▶ With a 15° graduation
- ▶ Locking by clamping (5 Nm) or fixing with pins (15 Nm)
- ▶ The joint can be adjusted using a clamping lever.
- ▶ *designLINE* version with special silver paint (RAL 9006)
- ▶ Profile machining:
Thread cutting (M12) in central bore for end connection

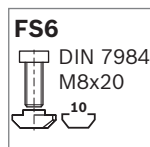
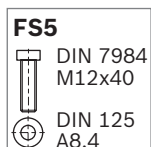
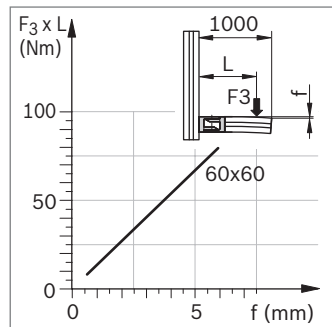
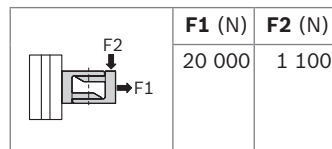
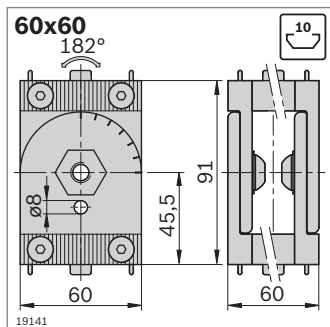


Joint 60x45	Slot	ESD	No.	FS
Standard	10		3 842 502 688	2xFS5, 2xFS6
designLINE	10		3 842 539 799	2xFS5, 2xFS6

Material: Standard: diecast zinc
designLINE: painted, RAL 9006
Fastening material: steel, galvanized
Scope of delivery: Incl. fastening material (FS)

Clamping lever	No.
for joint 60x45	3 842 505 144

Material: Diecast zinc, black polymer coating

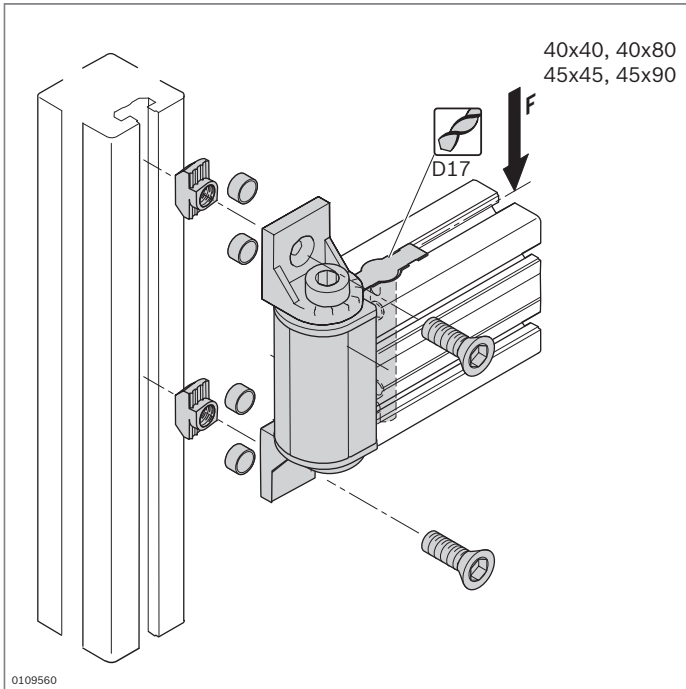


Joint 60x60	Slot	ESD	No.	FS
Standard	10		3 842 502 687	2xFS5, 2xFS6
designLINE	10		3 842 539 800	2xFS5, 2xFS6

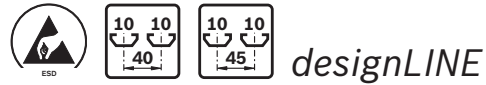
Material: Standard: diecast zinc
designLINE: painted, RAL 9006
Fastening material: steel, galvanized
Scope of delivery: Incl. fastening material (FS)

Clamping lever	No.
for joint 60x60	3 842 505 144

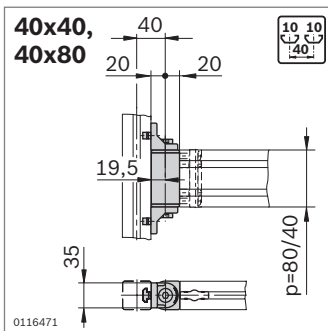
Material: Diecast zinc, black polymer coating



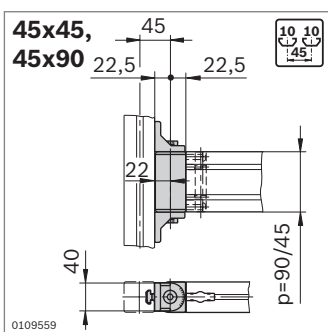
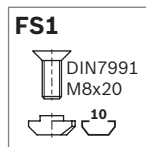
Swivel bearing



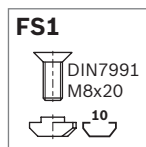
- Suitable for swiveling right-angled profile connections, e.g. for constructing supporting arms or doors
- *designLINE* version with special silver paint (RAL 9006) for an attractive, high-quality design
- Profile machining:
drilling of through hole D17



Profile	$M_{max} = F \times L$ (Nm)
40x40	40
40x80	130



Profile	$M_{max} = F \times L$ (Nm)
45x45	50
45x90	150



Swivel bearing		p (mm)	ESD	No.	FS
40x40	Standard	40		3 842 532 208	2xFS1
	<i>designLINE</i>	40		3 842 538 688	2xFS1
40x80	Standard	80		3 842 532 209	2xFS1
	<i>designLINE</i>	80		3 842 538 689	2xFS1

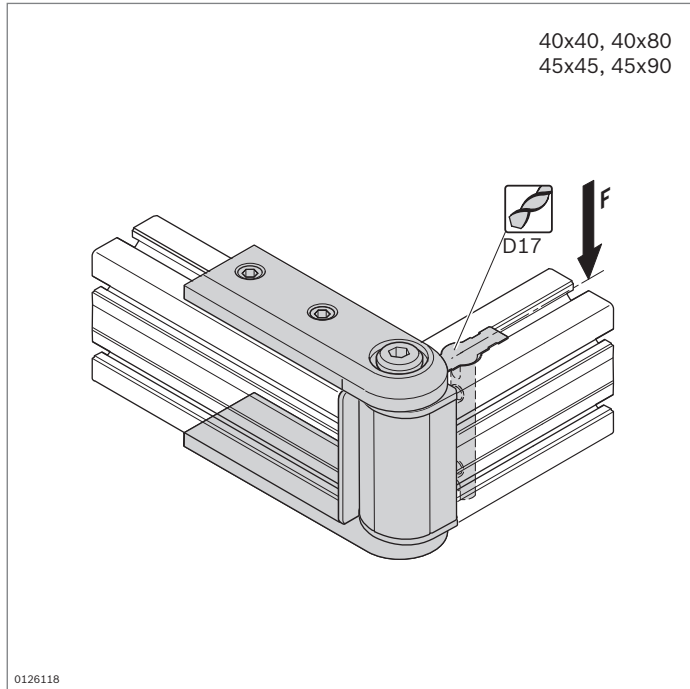
Material: Standard: diecast aluminum
designLINE: painted, RAL 9006
Fastening material: steel, galvanized
Cap: PA; black

Scope of delivery: Incl. caps, bolt connectors, fastening material (FS)

Swivel bearing		p (mm)	ESD	No.	FS
45x45	Standard	45		3 842 522 634	2xFS1
	<i>designLINE</i>	45		3 842 538 690	2xFS1
45x90	Standard	90		3 842 522 633	2xFS1
	<i>designLINE</i>	90		3 842 538 691	2xFS1

Material: Standard: diecast zinc
designLINE: painted, RAL 9006
Fastening material: steel, galvanized
Cap: PA; black

Scope of delivery: Incl. caps, bolt connectors, fastening material (FS)

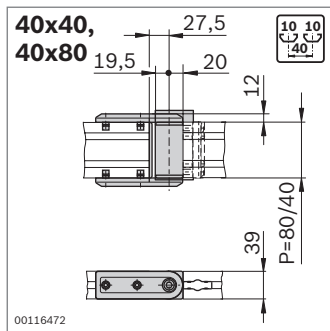


Supporting arm joint

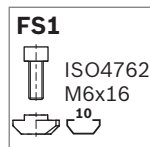


designLINE

- ▶ Suitable for swiveling end connections, e.g. for the construction of supporting arms
- ▶ *designLINE* version with special silver paint (RAL 9006) for an attractive, high-quality design
- ▶ Profile machining:
drilling of through hole D17

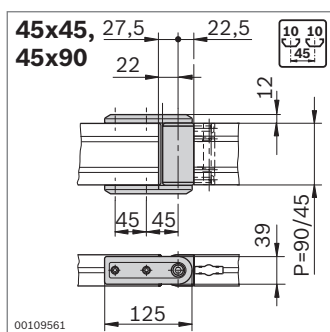


Profile	$M_{max} = F \times L$ (Nm)
40x40	40
40x80	130

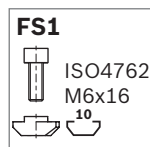


Supporting arm joint	p (mm)	ESD No.	FS
40x40 Standard	40	3 842 532 206	4xFS1
40x40 <i>designLINE</i>	40	3 842 538 692	4xFS1
40x80 Standard	80	3 842 532 207	4xFS1
40x80 <i>designLINE</i>	80	3 842 538 693	4xFS1

Material: Standard: diecast zinc
designLINE: painted (RAL 9006)
Cap: PA; black
Fastening material: steel, galvanized
Scope of delivery: Incl. caps, bolt connectors, fastening material (FS)

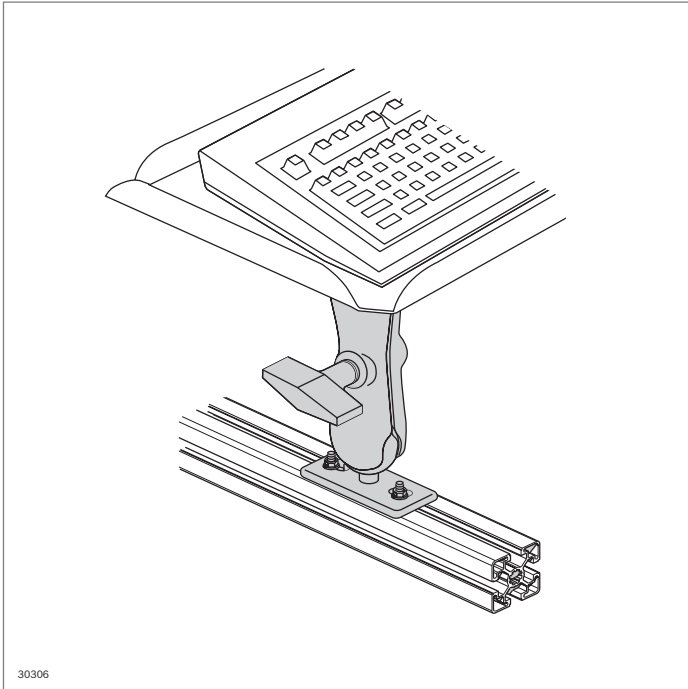


Profile	$M_{max} = F \times L$ (Nm)
45x45	50
45x90	150



Supporting arm joint	p (mm)	ESD No.	FS
45x45 Standard	45	3 842 521 263	4xFS1
45x45 <i>designLINE</i>	45	3 842 538 694	4xFS1
45x90 Standard	90	3 842 521 262	4xFS1
45x90 <i>designLINE</i>	90	3 842 538 695	4xFS1

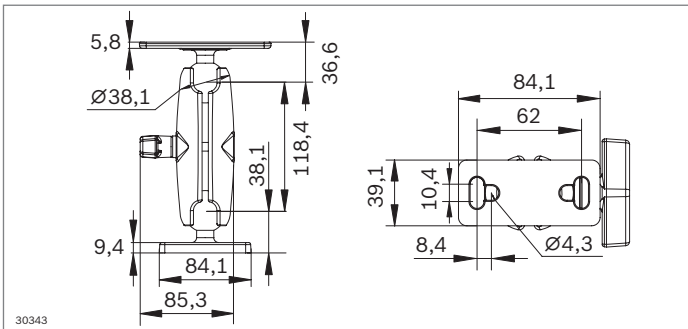
Material: Standard: diecast zinc
designLINE: painted (RAL 9006)
Cap: PA; black
Fastening material: steel, galvanized
Scope of delivery: Incl. caps, bolt connectors, fastening material (FS)



Mounting unit

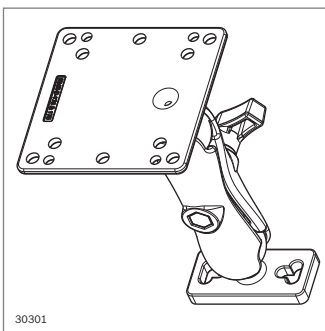


- ▶ Provides a fully adjustable, two-joint connection between two surfaces
- ▶ Locking handle secures the R-A-M® mount in the desired position
- ▶ Perfect for fixturing or adjustable equipment mounts
- ▶ T-bolt fastening kit for installation profile sold separately



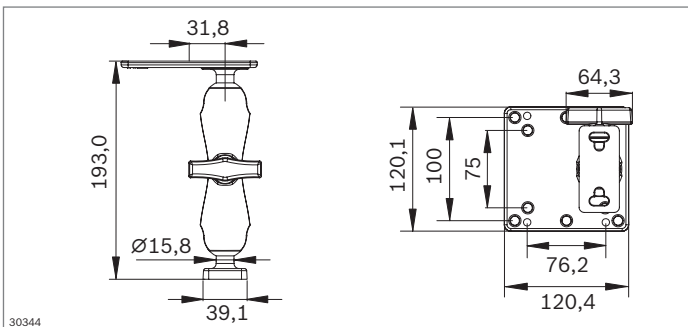
R-A-M® mount	No.
	8 981 019 573

Material: Mounting plates and R-A-M® mount body: black die-cast aluminum
 Adjustment balls: rubber
 Hardware: stainless steel

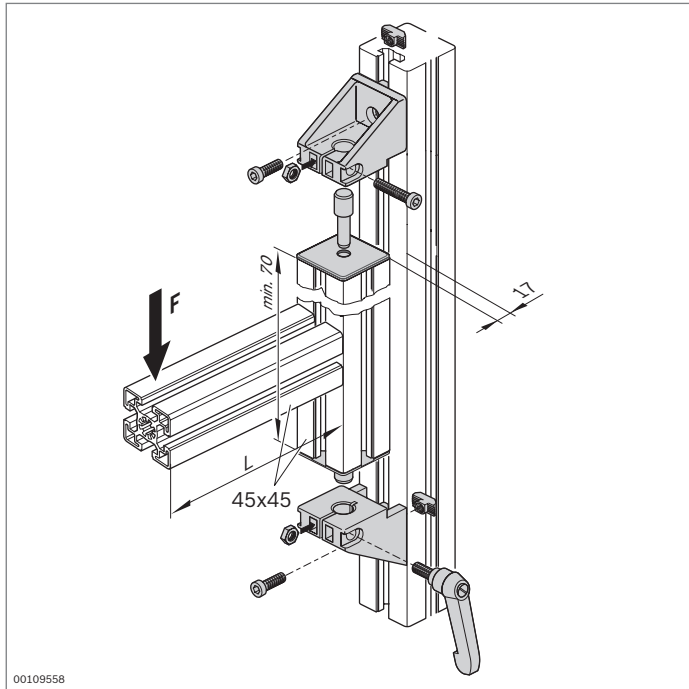


Flat panel monitor

- ▶ VESA mount has standard 75x75 mm and 100x100 mm patterns for mounting most flat panel monitors
- ▶ Supports up to 5 kg (11 lbs)



Economic TFT monitor bracket with support arm	No.
	R980 024 883

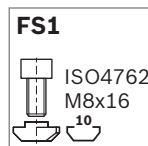
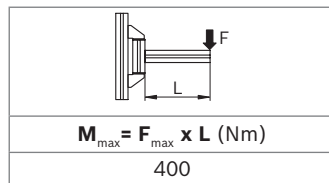
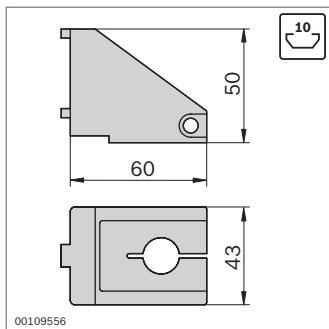


Bearing pedestal



designLINE

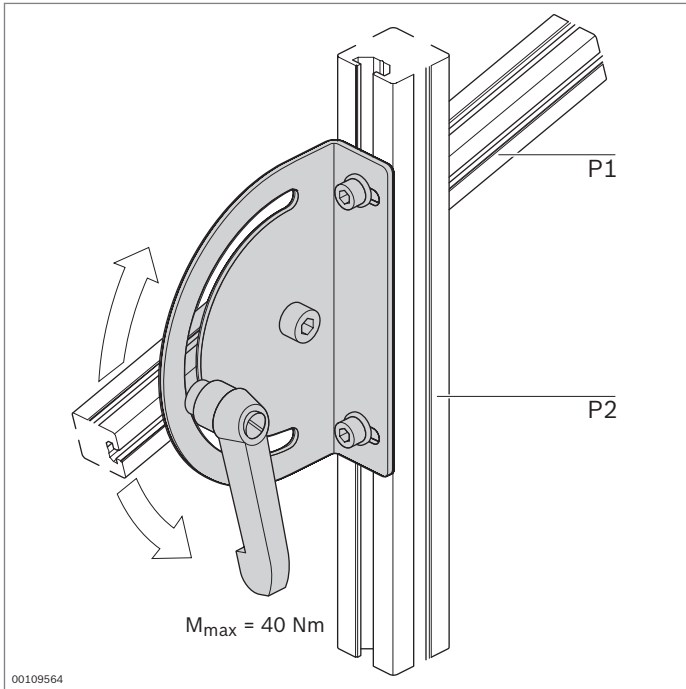
- ▶ Bearing pedestal for heavy constructions which have to be swiveled
- ▶ *designLINE* version with special silver paint (RAL 9006) for a really high-quality design



Bearing pedestal	Slot	No.	FS
Standard	10	3 842 547 868	2xFS1
<i>designLINE</i>	10	3 842 547 869	2xFS1

Material: Standard: diecast zinc
designLINE: painted (RAL 9006)
 Fastening material: steel, galvanized
 Clamping lever handle: diecast zinc; black plastic coated
 Cap: PA

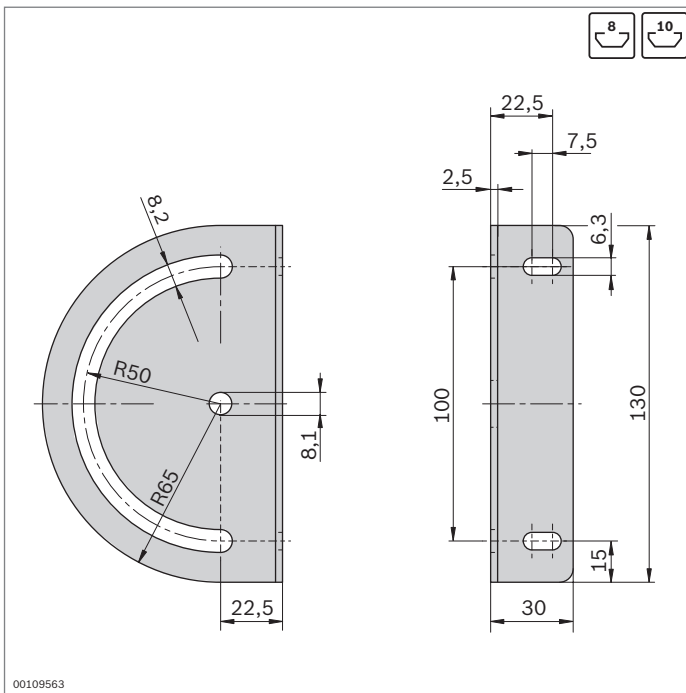
Scope of delivery: Incl. fastening material (FS), 2 x cap, 2 x bolt, clamping lever (and additional standard parts for clamping the bearing pedestal)



Swivel fastening, 180°

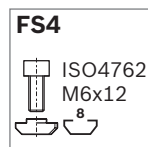
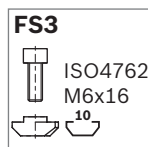
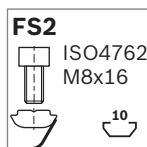
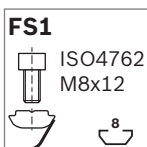


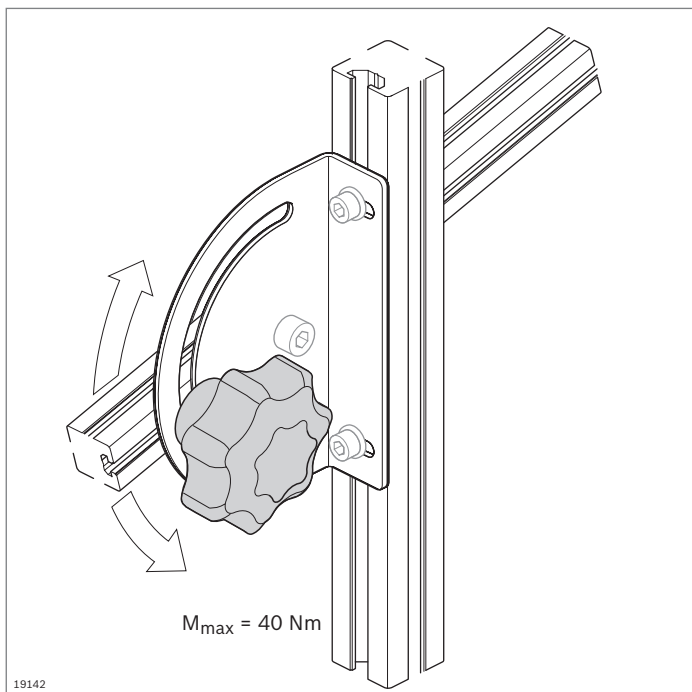
- Swivel fastening for shelves, etc. which need to be positioned at an angle of $\pm 90^\circ$.



Swivel fastening, 180°	P1 / P2	ESD No.	FS
	8 / 8	3 842 538 275	FS1
	8 / 10		2xFS3
			2xFS4
			2xFS5
	10 / 8	3 842 538 276	FS2
	10 / 10		2xFS3
			2xFS4
			2xFS5

Material: Swivel fastening steel, galvanized
 Clamping lever: diecast zinc; black plastic coated
 Scope of delivery: Incl. fastening material (FS), clamping lever with disk and swivel-in sliding block with spring





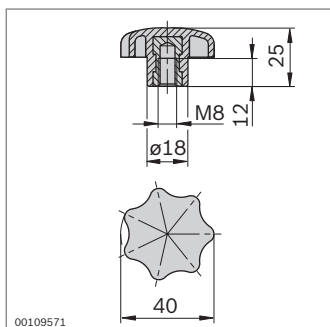
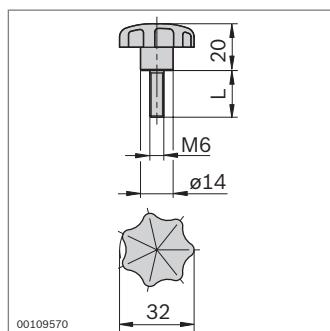
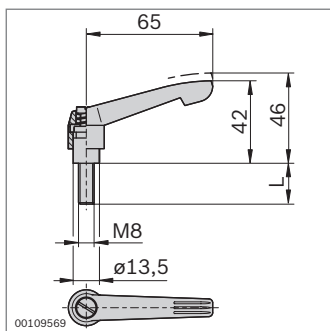
Clamping lever, star knob



► Clamping elements for adjustable connections

Accessories:

Screws and sliding blocks; see fastening material (p. 4-11)



Clamping lever	L (mm)	No.
	12	3 842 516 845
	20	3 842 516 846
	40	3 842 516 847
	45	3 842 538 607
	55	3 842 516 848

Material: Clamping lever: diecast zinc; black plastic coated
Steel elements: galvanized, strength class 5.8

Star knob M6	L (mm)	No.
	15	3 842 516 849
	20	3 842 516 850

Material: Star knob: PA; black
Steel elements: galvanized, strength class 5.8

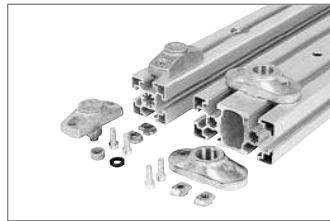
Star knob M8	No.
	3 842 516 851

Material: Star knob: PA; black
Steel elements: galvanized, strength class 5.8

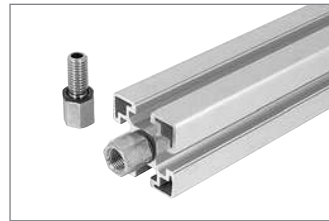
Air-supply elements



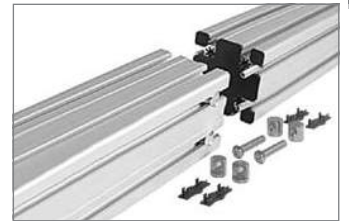
Flanged plate (p. 5-3)



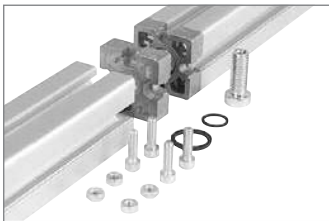
Connection piece (p. 5-4)



Connection screw fitting
M12-1/4" (p. 5-4)



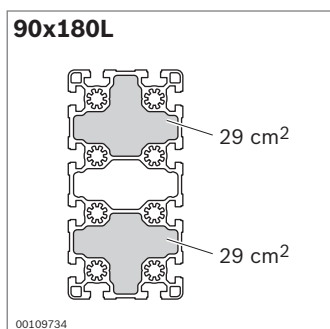
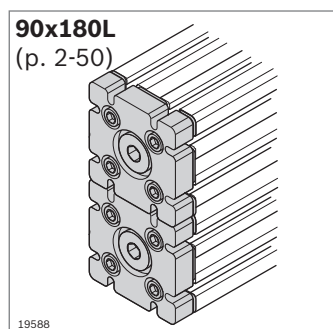
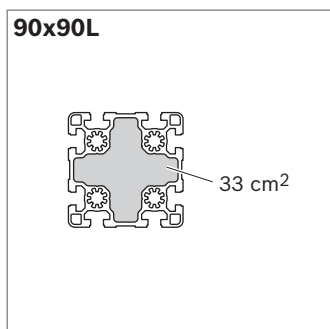
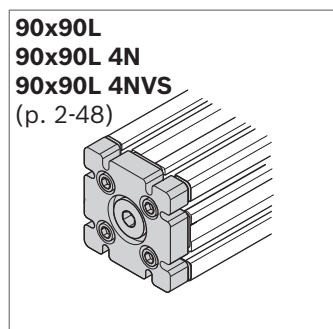
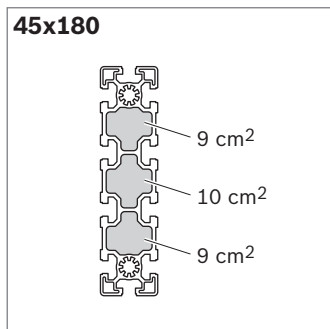
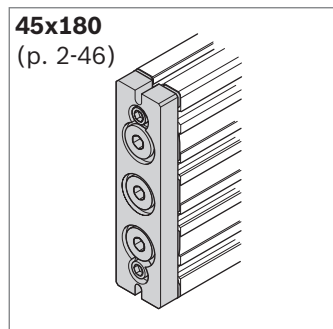
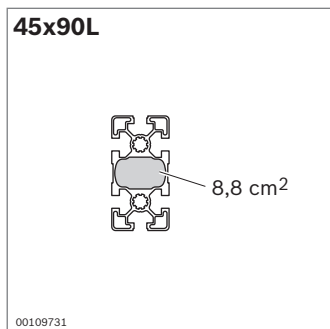
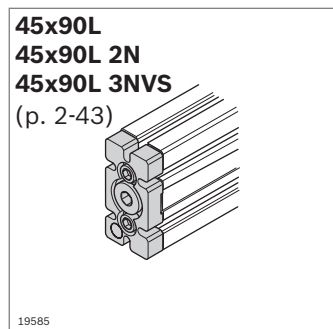
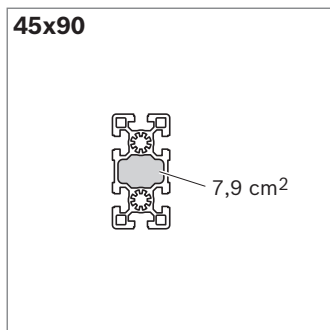
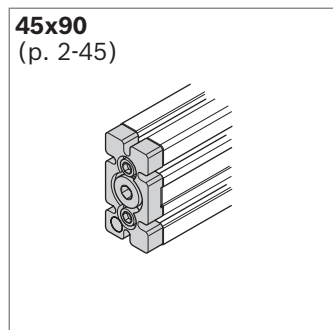
Longitudinal end connector
(p. 5-5)



Longitudinal end connector 45
Pneu (p. 5-6)

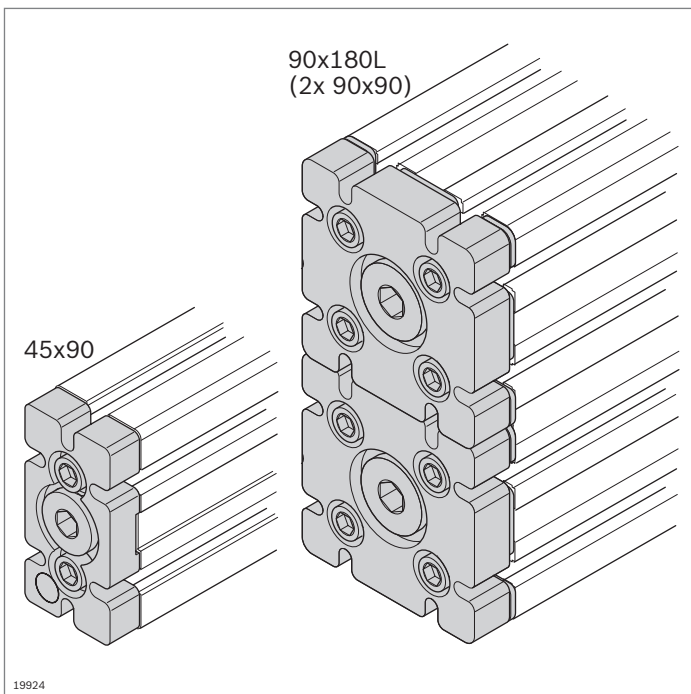


T-connector 45 Pneu, seal
(p. 5-6)



Air-supply elements

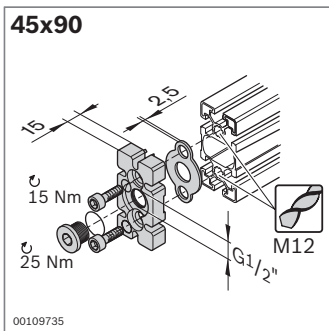
- ▶ Rexroth **strut profiles** can be used as compressed-air leads and reservoirs. The hollow chambers or central holes are used
- ▶ **Flanged plate** for end closing of profiles (p. 5-3)
- ▶ Compressed-air intake or discharge at the flanged plate, **connection piece**, or **connection screw fitting** (p. 5-4)
- ▶ Air-tight connecting of profiles with **longitudinal end connectors or T-connectors** (p. 5-6, 5-5)
- ▶ The use of the heavy-duty profiles is preferable in the case of more demanding leak-tightness requirements (e.g. for underwater applications)



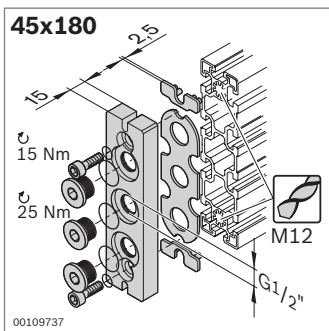
Flanged plate



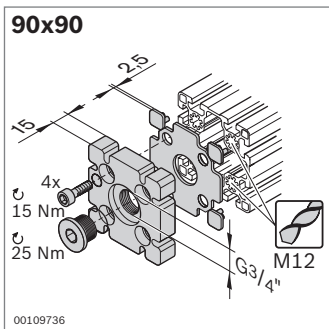
- ▶ For sealing the ends of the hollow chambers. This enables the profiles to be used as a compressed-air lead
- ▶ For compressed-air introduction or removal when screw plugs are replaced by pneumatic screw fittings
- ▶ Profile machining: M12 thread cutting in the central holes
- ▶ For a maximum pressure (p_{max}) of 8 bar



FS1
 DIN 7984
 M12x30



FS2
 DIN 7984
 M12x20



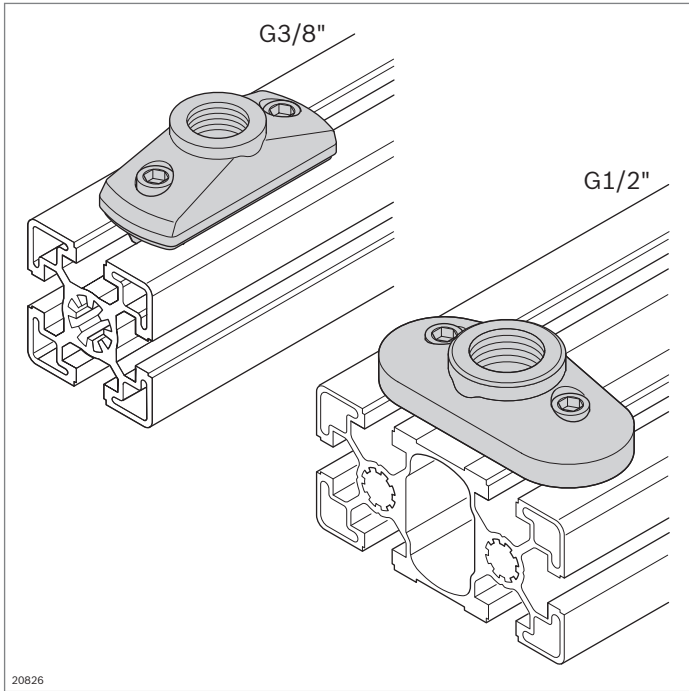
FS1
 DIN 7984
 M12x30

Flanged plate	No.	FS
45x90	3 842 523 097	2xFS1
Material:	Flanged plate: diecast aluminum Seal: NBR Fastening material: steel; galvanized	
Scope of delivery:	Incl. fastening material (FS), screw plug, seals	

Flanged plate	No.	FS
45x180	2 3 842 535 721	2xFS2
Material:	Flanged plate: aluminum Seal: NBR Fastening material: steel; galvanized	
Scope of delivery:	Incl. fastening material (FS), 2 x spacer, 3 x screw plug, seals	

Flanged plate	No.	FS
90x90	3 842 523 098	4xFS1
Material:	Flanged plate: diecast aluminum Seal: NBR Fastening material: steel; galvanized	
Scope of delivery:	Incl. fastening material (FS), 4 x spacer, screw plug, seals	

Notice: Only suitable for light profiles 90x90L and 90x180L.

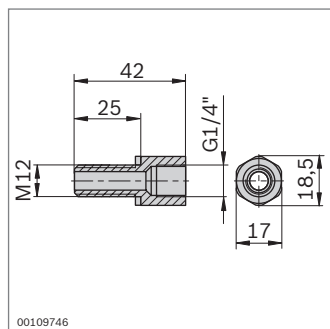
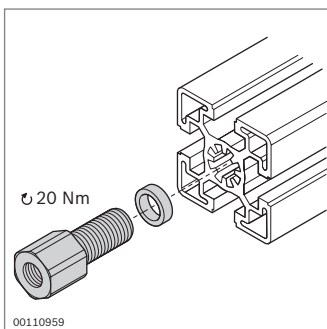
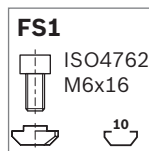
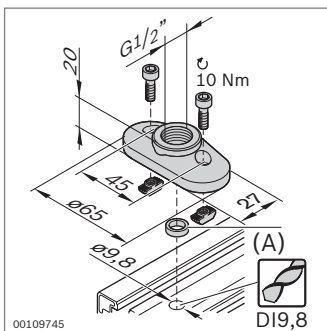
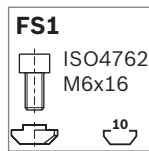
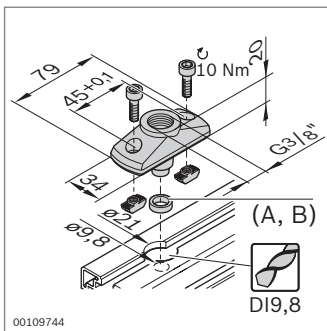


Connection piece
Connection screw fitting M12-1/4"



Connection piece

- ▶ For compressed-air intake or discharge at any point on the profile
- ▶ G3/8" for connection at central hole
- ▶ G1/2" for connection at hollow chamber
- ▶ Suitable for light and standard profiles
- ▶ Profile machining: blind hole DI9,8; blind hole \varnothing 21 mm (drilling jig **3 842 528 574**, p. 3-14)
- ▶ For a maximum pressure (p_{max}) of 8 bar

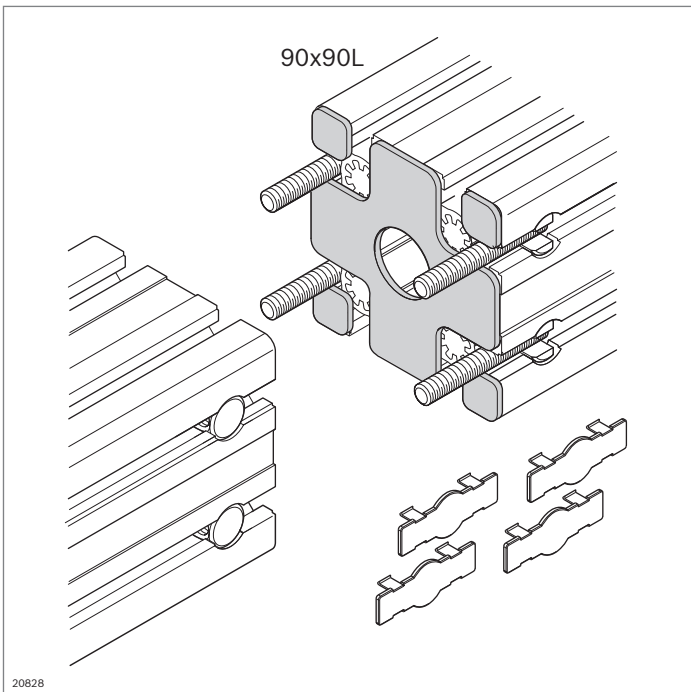


Connection piece	No.	FS
G3/8"	3 842 523 092	2xFS1
Material:	Connection piece diecast aluminum Seal: NBR	
Scope of delivery:	Incl. fastening material, seals (A, B)	
Accessories:	Seals A, B (p. 5-6)	

Connection piece	No.	FS
G1/2"	3 842 352 085	2xFS1
Material:	Connection piece diecast zinc Seal: NBR	
Scope of delivery:	Incl. fastening material, seal (A)	
Accessories:	Seal A (p. 5-6)	

- Connection screw fitting M12-1/4"**
- ▶ For screw fitting in central hole
 - ▶ Profile machining: M12
 - ▶ For a maximum pressure (p_{max}) of 8 bar

Connection screw fitting	No.
M12-1/4"	10 3 842 535 719
Material:	Connection screw fitting: steel; galvanized Seal: PVC, hard
Scope of delivery:	Incl. seal

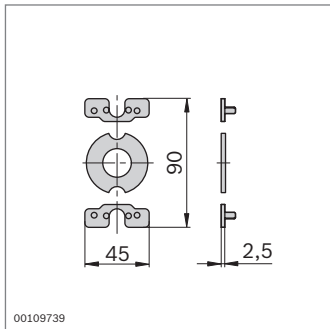
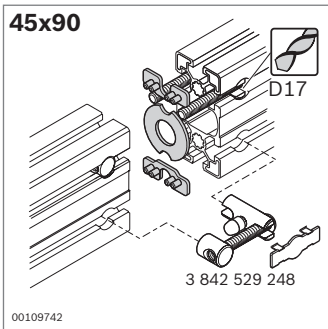


Longitudinal end connection



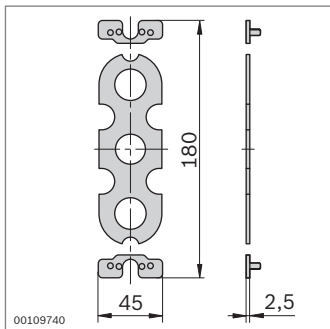
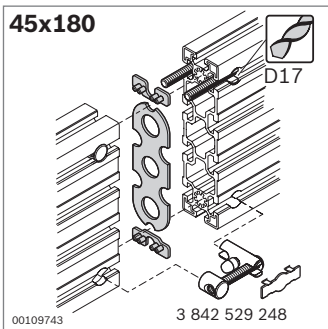
- ▶ Seal for end-to-end connection of profiles carrying compressed air
- ▶ Profile machining: through hole D17 (45x90, 45x180); blind hole LF (90x90L)
- ▶ For a maximum pressure (p_{max}) of 8 bar

Required accessories:
 Longitudinal end connector for profile connection (p. 3-58)



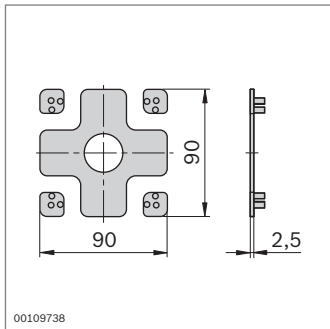
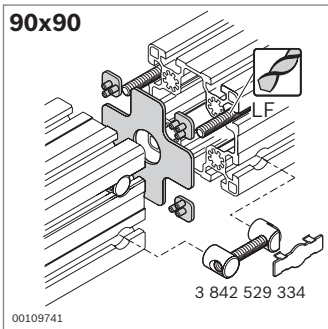
Longitudinal end connection	No.
45x90	3 842 508 087

Material: Seal: PUR
 Spacer: PA
 Scope of delivery: Seal, 2 x spacer



Longitudinal end connection	No.
45x180	3 842 508 088

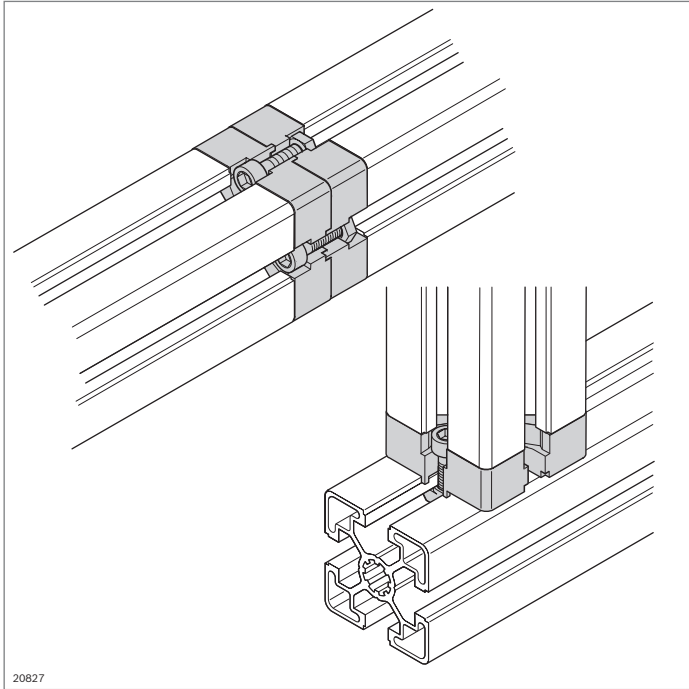
Material: Seal: NBR
 Spacer: PA
 Scope of delivery: Seal, 2 x spacer



Longitudinal end connection	No.
90x90	3 842 510 145

Material: Seal: NBR
 Spacer: PA
 Scope of delivery: Seal, 4 x spacer

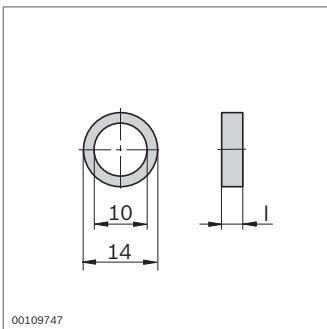
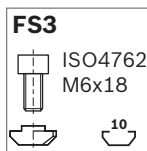
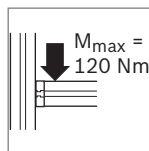
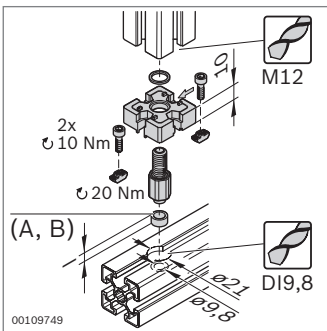
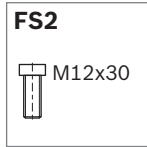
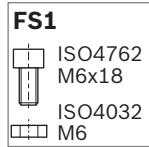
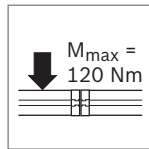
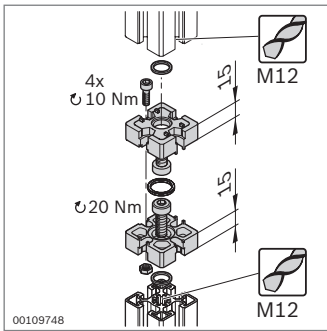
Note: Only suitable for light profile 90x90L.



Longitudinal end connector 45 Pneu T-connector 45 Pneu, seal



- ▶ Longitudinal end connector 45 Pneu for end face mechanical and pneumatic connections of two 45x45 or 45x45L profiles to convert the central bore into a compressed-air line
- ▶ T-connector 45 Pneu for mechanical and pneumatic connections of two 45x45 or 45x45L profiles at a 90° angle to convert the central bore into a compressed-air line
- ▶ Profile machining: M12 in central bore; blind hole DI9.8; blind hole ø 21 mm (drilling jig **3 842 528 574**, p. 14-3)
- ▶ For a maximum pressure (p_{max}) of 8 bar



Longitudinal end connector	No.	FS
45 Pneu	3 842 523 094	4xFS1, 2xFS2

Material: Longitudinal end connector: diecast aluminum
Seal: NBR

Scope of delivery: Incl. fastening material, sealing rings

T-connector	No.	FS
45 Pneu	3 842 523 093	2xFS3

Material: T-connector: diecast aluminum
Seal: NBR

Scope of delivery: Incl. fastening material, seals (A, B) for standard and light profiles

- ▶ Seal for connection piece and T-connector

Seal	l (mm)	No.
A For standard profiles	4 10	3 842 503 242
B For light profiles	7 10	3 842 523 102

Material: NBR

Feet and wheels



Modular leveling feet (p. 6-2)



Leveling foot, foot, damping ring (p. 6-4)

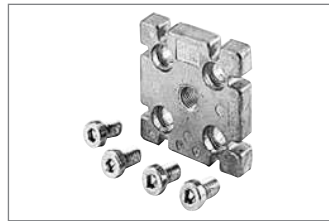


Plate (p. 6-6)



Base plate, steel (p. 6-8)



Base plate (p. 6-10)



Base plate (p. 6-11)



Foot (p. 6-12)



Foot, stainless steel (p. 6-14)



Double wheel (p. 6-16)



Wheel (p. 6-17)



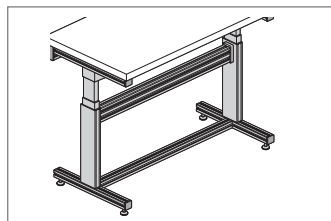
Heavy duty wheel (p. 6-20)



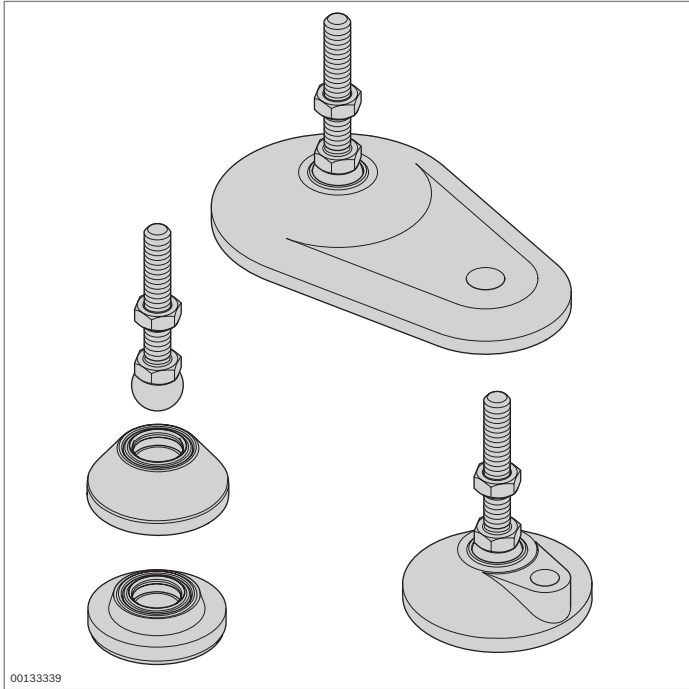
Lifting wheel (p. 6-22)



Wheel with mounting flange (p. 6-23)



Adjustable Height Table Frame Kit (p. 6-25)

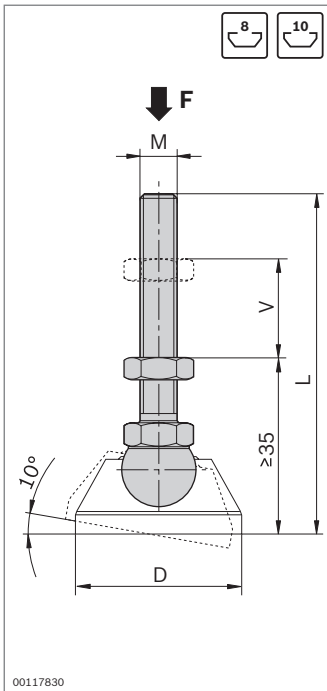


Modular leveling feet

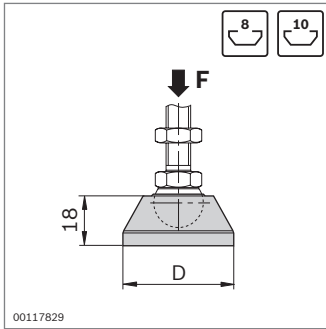


- ▶ Leveling feet for compensating irregularities in the floor up to 10°
 - Modular system, various combinations possible
 - Spindles and base plates can be combined as desired
 - Base plates with screw hole for simple screw fitting to the floor
- ▶ The damping plate prevents the transfer of vibrations and allows a defined conduction of voltages via a set of grounding components (p. 17-2)
- ▶ Profile machining: thread M in central hole

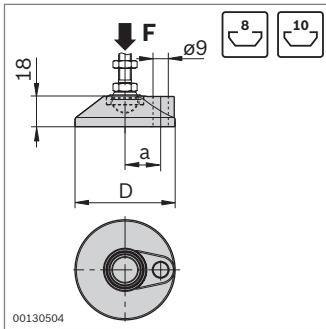
Accessories: bearing ring (p. 6-16)



Shaft	F (N)	M	L (mm)	V (mm)	ESD		No.
Stainless steel	10000	M8	75	20		20	3 842 536 811
	20000	M12	85	30		20	3 842 536 812
	20000	M12	145	80		20	3 842 537 223
	20000	M12	200	135		20	3 842 537 225
	30000	M16	85	20		20	3 842 537 227
	30000	M16	145	80		20	3 842 537 229
	30000	M16	200	135		20	3 842 537 231
	Steel, galvanized	10000	M8	75	20		20
20000		M12	85	30		20	3 842 537 222
20000		M12	145	80		20	3 842 537 224
20000		M12	200	135		20	3 842 537 226
30000		M16	85	20		20	3 842 537 228
30000		M16	145	80		20	3 842 537 230
30000		M16	200	135		20	3 842 537 232

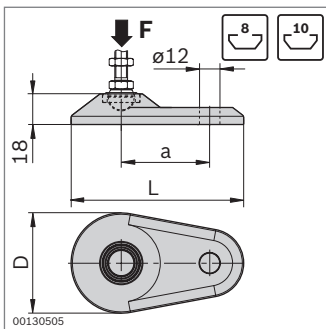


Base plate	F (N)	D (mm)	ESD		No.
Stainless steel	20000	29		20	3 842 536 694
	30000	39		20	3 842 536 695
	30000	44		20	3 842 536 696
	30000	59		20	3 842 538 673
	30000	79		20	3 842 537 206
Diecast zinc, black powder coating	20000	29		20	3 842 538 674
	30000	39		20	3 842 538 675
	30000	44		20	3 842 538 676
	30000	59		20	3 842 538 677
	30000	79		20	3 842 538 678
PA; black	5000	29		20	3 842 538 832
	9000	39		20	3 842 538 833
	9000	44		20	3 842 538 834
	9000	59		20	3 842 538 835
	9000	79		20	3 842 538 836



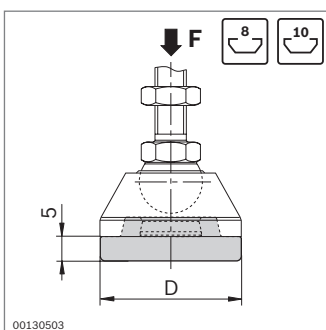
Base plate with screw hole	F (N)	D (mm)	a (mm)		No.
	30000	59	21	20	3 842 538 932
	30000	79	31	20	3 842 538 934

Material: diecast zinc, black powder coating



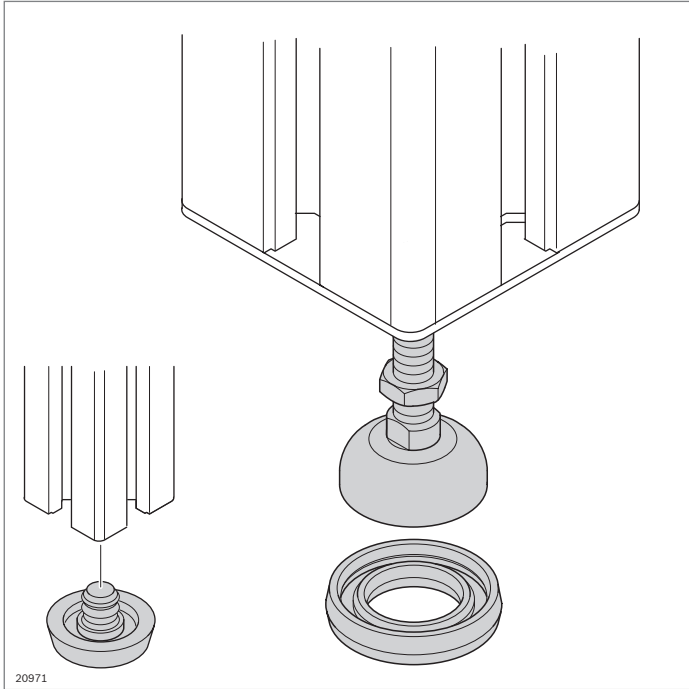
Oval base plate with screw hole	F (N)	D (mm)	a (mm)	L (mm)		No.
	30000	59	52	100	20	3 842 538 679
	30000	79	65	130	20	3 842 538 680

Material: diecast zinc, black powder coating



Damping plate	F (N)	D (mm)		No.
	1100	29	20	3 842 538 555
	1600	39	20	3 842 538 556
	2000	44	20	3 842 538 557
	2500	59	20	3 842 538 558
	2800	79	20	3 842 538 559

Material: PUR, black



Leveling foot, foot, damping ring



Leveling foot

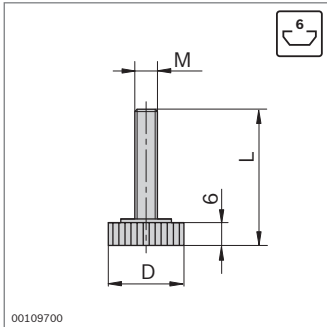
- ▶ For compensating irregularities in the floor up to 5°
- ▶ Fully assembled spindle and base plate
- ▶ Profile machining: threading in central hole

Damping ring

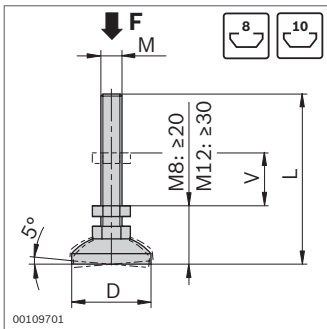
- ▶ The electrically insulating damping ring prevents the transfer of vibrations and allows a defined conduction of voltages via a set of grounding components (p. 17-2)

Accessories:

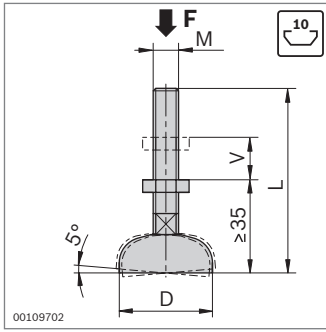
bearing ring (p. 6-16); for when cover caps with a hole are used



Leveling foot	M	D (mm)	L (mm)	ESD	No.
Material: steel/plastic	M6	20	41	20	3 842 518 743

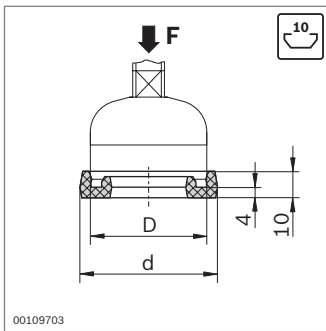


Leveling foot	F (N)	M	D (mm)	L (mm)	V (mm)	ESD	No.
Material: steel, galvanized	5000	M8	30	65	15	20	3 842 502 257
	8000	M12	30	72	14	20	3 842 529 025



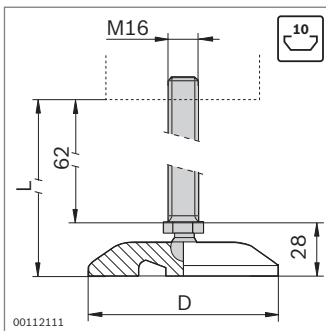
Leveling foot	F (N)	M	D (mm)	L (mm)	V (mm)	ESD	No.
	10000	M12	44	85	30		20 3 842 352 061
	20000	M16	44	145	80		20 3 842 311 956
	10000	M12	44	160	80		20 3 842 536 470
	10000	M12	58	85	30		20 3 842 511 893
	20000	M16	90	85	20		20 3 842 311 950
	20000	M16	90	145	80		20 3 842 311 951
	20000	M16	90	200	135		20 3 842 527 186

Material: steel, galvanized



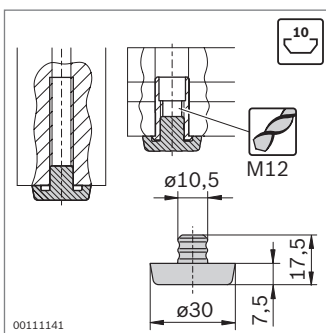
Damping ring	F (N)	D (mm)	d (mm)	No.
	1600	30	39	20 3 842 529 024
	2000	44	52	20 3 842 521 817
	2500	58	66	20 3 842 522 301
	3000	90	98	20 3 842 522 303

Material: PUR; natural, hardness: shore A 70-80



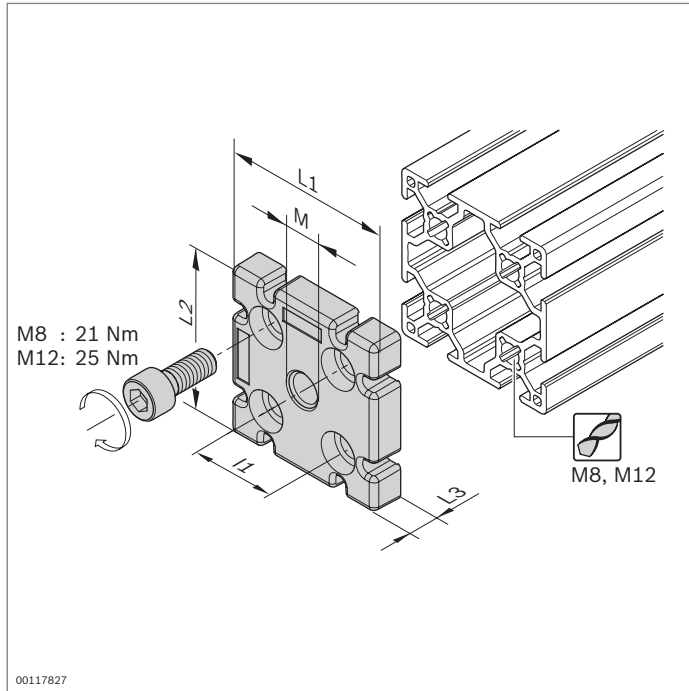
Leveling foot	M	D (mm)	L (mm)	V (mm)	No.
	M16	80	95	62	1 3 842 533 310

Material: Shaft: stainless steel
Base plate: PA



Foot	No.
	100 3 842 514 568

Material: TPE, black



Plate



- ▶ For fastening leveling feet in profiles without a central hole
- ▶ For use as an end connector or T-connector
- ▶ Profile machining: tapping of thread in the central hole

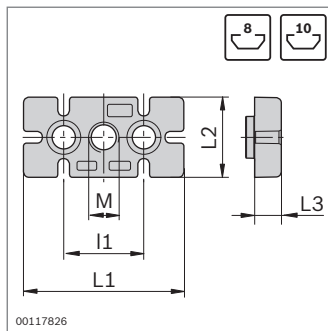


Plate	F (N)	M	L1 (mm)	I1 (mm)	L2 (mm)	L3 (mm)	No.	FS
30x60	8000	M12	60	30	30	11	3 842 536 560	2xFS1
40x80	10000	M12	80	40	40	15	3 842 536 562	2xFS2
45x90	20000	M16	90	45	45	15	3 842 536 564	2xFS2

Material: Plate: diecast aluminum
Fastening material: steel, galvanized
Scope of delivery: Incl. fastening material (FS)

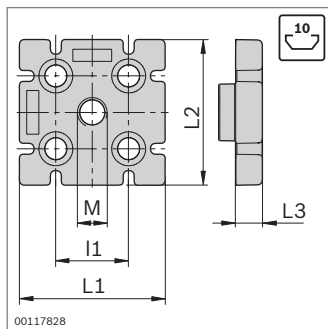
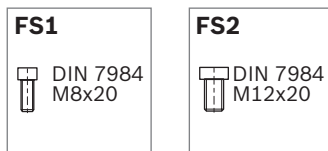
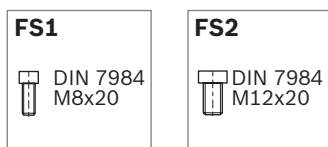
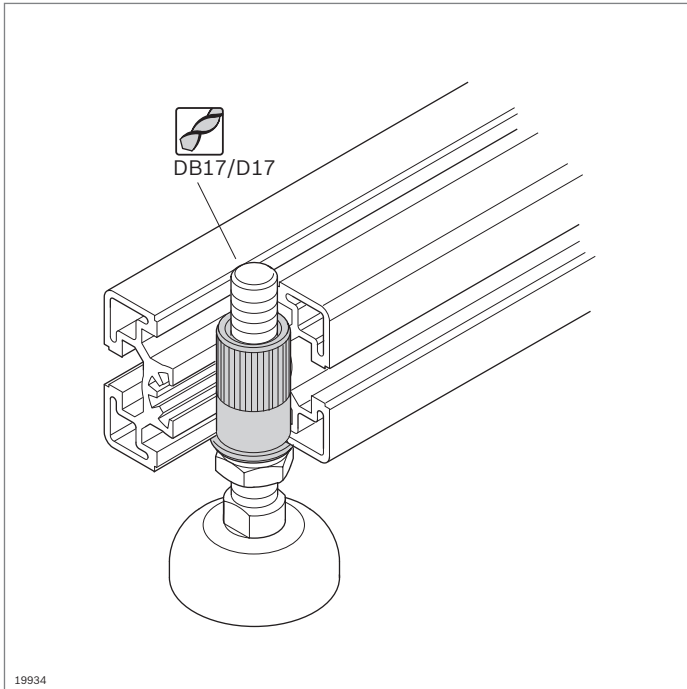


Plate	F (N)	M	L1 (mm)	I1 (mm)	L2 (mm)	L3 (mm)	No.	FS
60x60 8N	10000	M12	60	30	60	11	3 842 536 566	4xFS1
80x80L	10000	M12	80	40	80	15	3 842 529 416	4xFS2
90x90L	20000	M16	90	45	90	15	3 842 511 352	4xFS2
100x100L	20000	M16	100	50	100	15	3 842 529 417	4xFS2

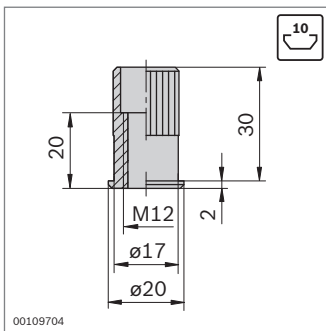
Material: Plate: diecast aluminum
Fastening material: steel, galvanized
Scope of delivery: Incl. fastening material (FS)





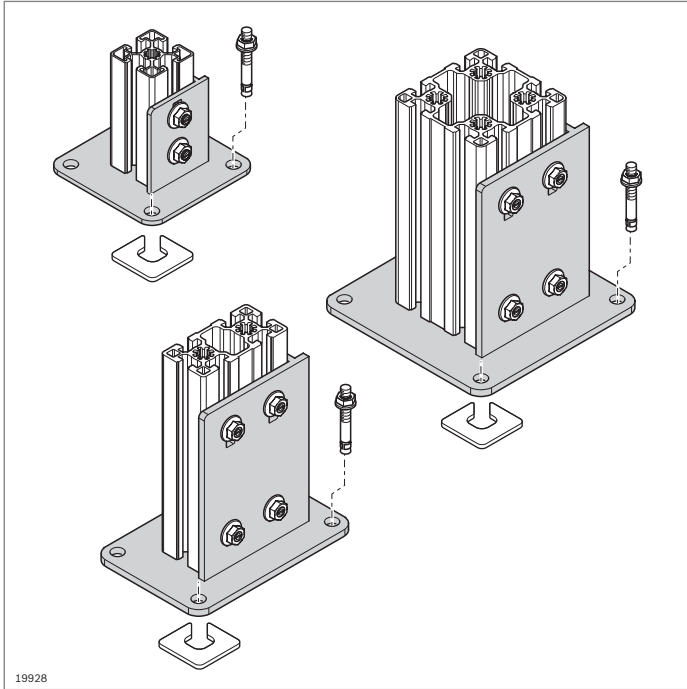
Threaded sleeve

- ▶ For fastening leveling feet at an angle to the longitudinal profile direction
- ▶ Profile machining:
 - drilling of blind hole DB17
 - drilling of through-hole D17



Threaded sleeve	No.
	3 842 504 790

Material: Steel, galvanized



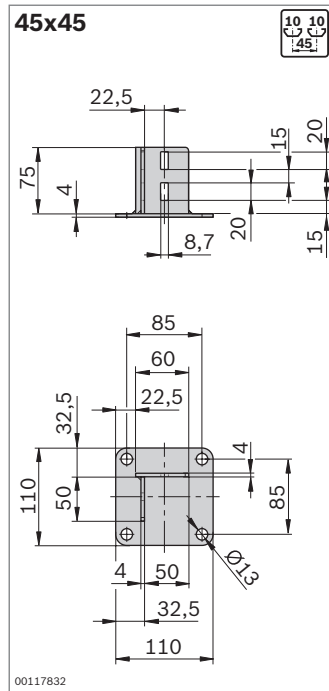
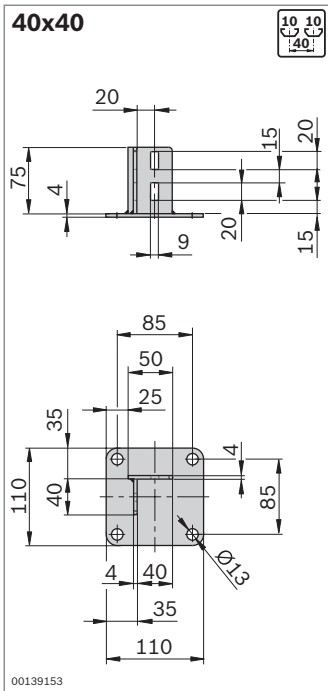
Base plate, steel



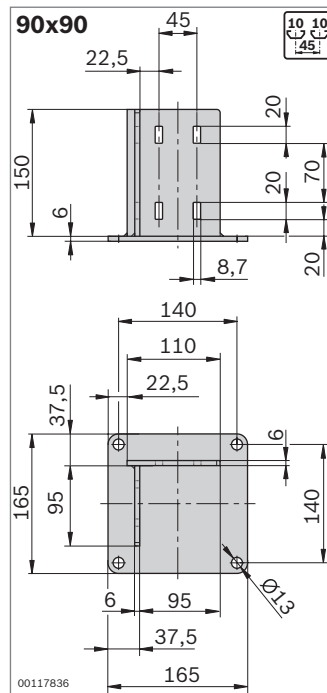
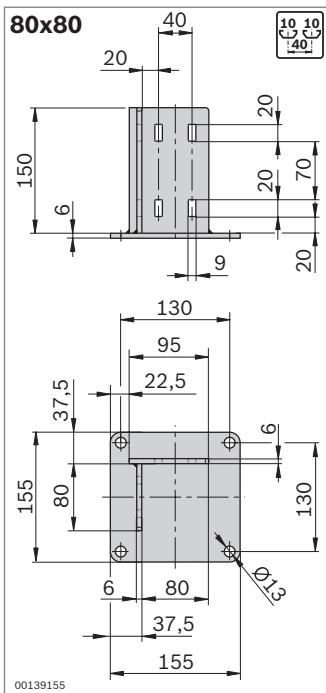
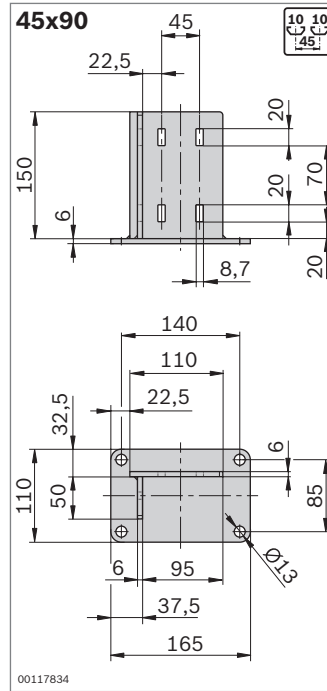
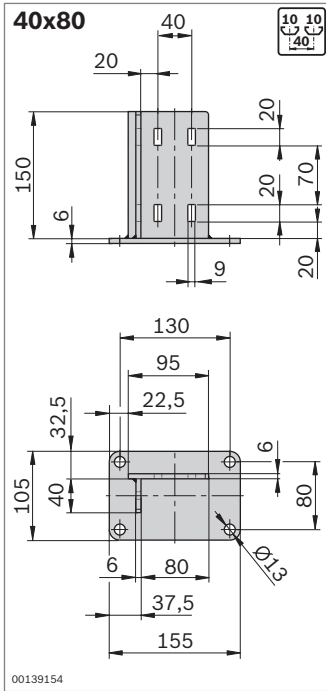
- ▶ Used in construction for supporting separating and protective walls
- ▶ Profile machining: not required

Accessories:

- ▶ T-bolt M8x20, 10 mm slot (p. 3-7)
- ▶ Flange nut M8 (p. 3-7)
- ▶ Floor dowl **3 842 526 561** (p. 6-12)
- ▶ Washer (p. 6-13)



Base plate, steel	ESD No.
40x40	3 842 542 667
45x45	3 842 536 581
Material:	Steel, galvanized

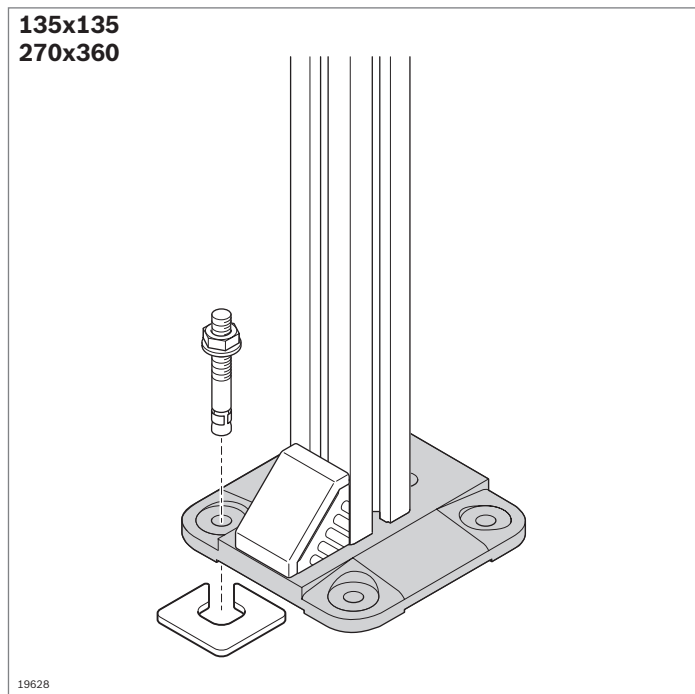


Base plate, steel	ESD No.
40x80	3 842 542 668
45x90	3 842 536 207

Material: Steel, galvanized

Base plate, steel	ESD No.
80x80	3 842 542 669
90x90	3 842 536 746

Material: Steel, galvanized

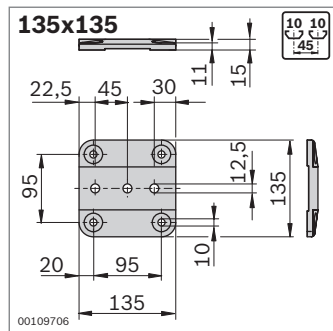


Base plate 135x135, 270x360



- ▶ Used in construction for supporting separating and protective walls
- ▶ Anchoring with floor dowel

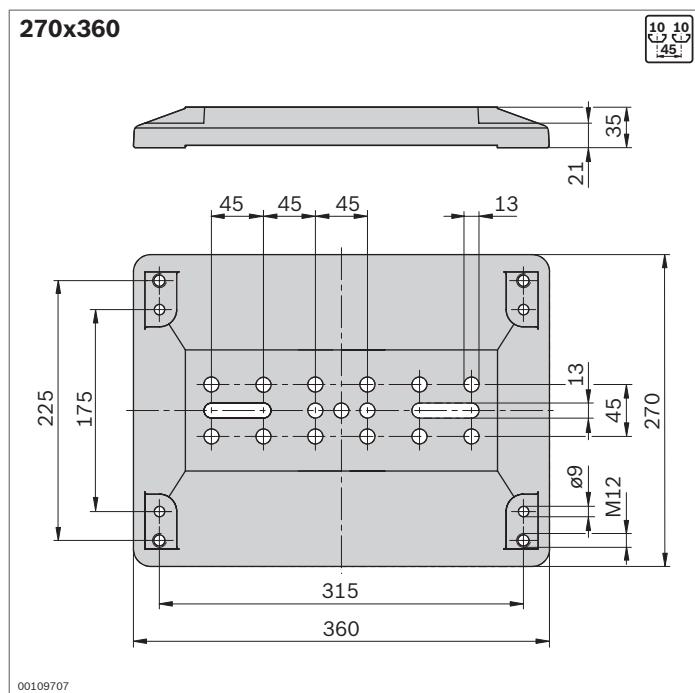
Required accessories:
Bracket (p. 3-19)



Base plate	ESD	No.
135x135		3 842 516 175

Material: Diecast aluminum

- Accessories, required:
- ▶ floor dowel **3 842 526 560** (p. 6-12)
 - ▶ washer (p. 6-13)

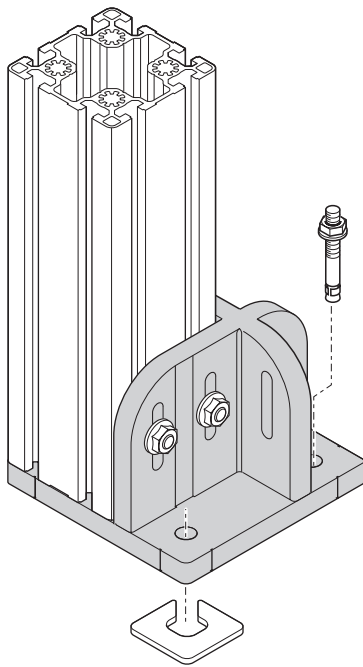


Base plate	No.
270x360	3 842 514 567

Material: Gray cast iron, painted black

- Accessories, required:
- ▶ floor dowel **3 842 540 668** (p. 6-12)
 - ▶ washer (p. 6-13)

120x120
150x150



19929

Base plate 120x120, 150x150



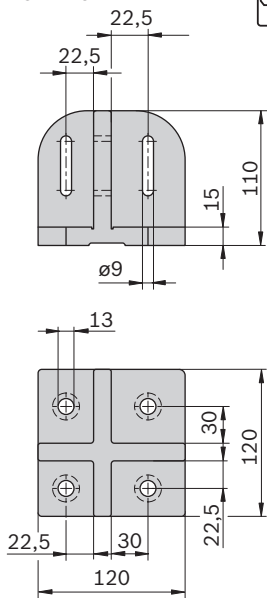
- ▶ For flush mounting of supports. No danger of tripping!
- ▶ Markings arranged at the center of the profile for precise alignment
- ▶ Anchoring with floor dowel

Accessories, required:

- ▶ T-bolt M8x30 **3 842 528 721** (p. 3-7)
- ▶ Flange nut M8, **3 842 345 081** (p. 3-7)
- ▶ Floor dowel **3 842 526 561** (p. 6-12)
- ▶ Washer (p. 6-13)

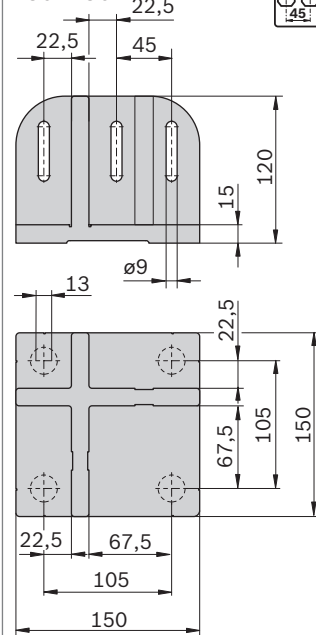
6

120x120



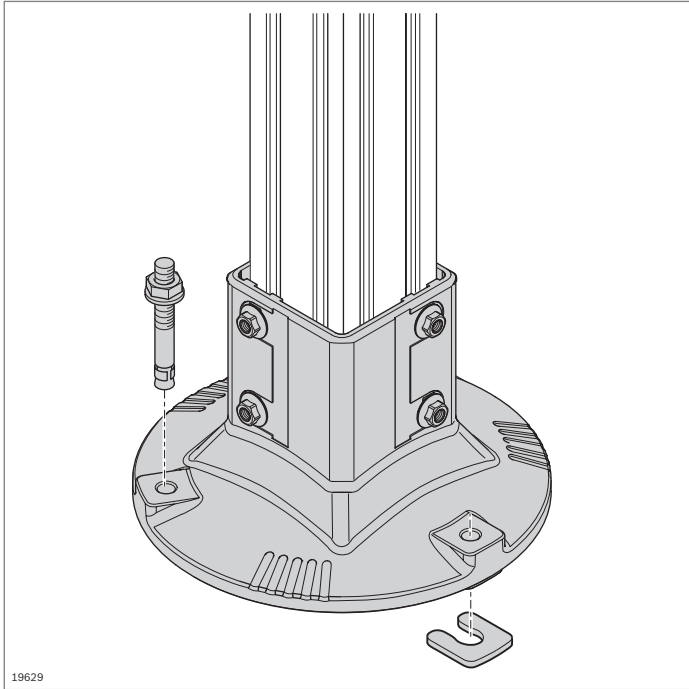
00109708

150x150



00109711

Base plate	ESD	No.	
120x120		3 842 527 553	
150x150		3 842 524 469	
Material:	Diecast aluminum		



Foot Floor dowel, washer

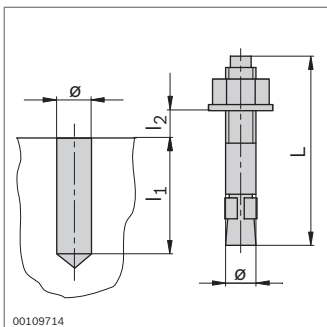
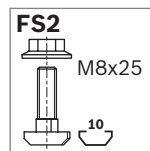
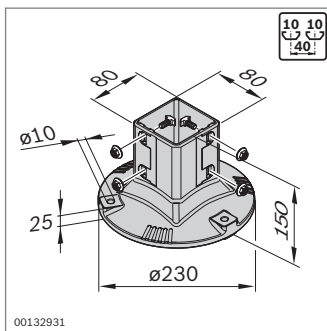
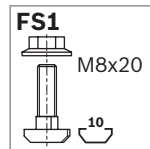
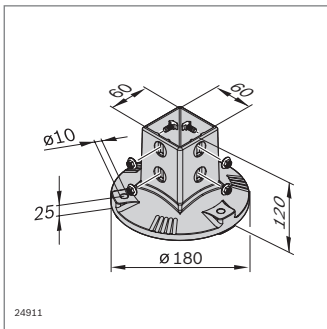


Foot

- ▶ For constructing supports made of 80x80L and 60x60 profiles
- ▶ Large standing surface for high stability
- ▶ Easy cleaning thanks to few horizontal surfaces
- ▶ Open on the inside to enable draining of liquids
- ▶ Stop as depth limit for profile (removable)

Required accessories:

- ▶ floor dowel **3 842 540 668**
- ▶ washer **3 842 546 717** or **3 842 546 718**



Foot, AL	No.	FS
60x60	1 3 842 544 875	4xFS1
Material:	Aluminum, silver coating (RAL 9006)	
	Fastening material: steel, galvanized	
Scope of delivery:	Incl. fastening material (FS1)	

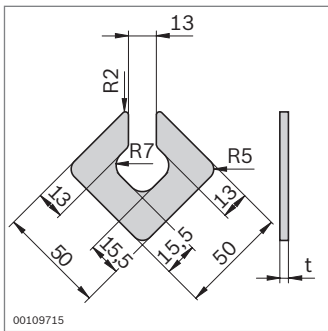
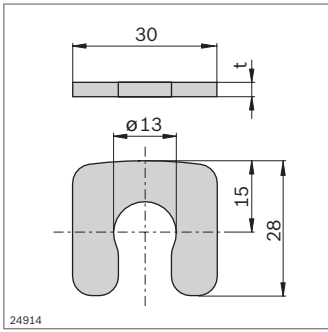
Foot	No.	FS
80x80	3 842 540 173	4xFS2
Material:	Aluminum, silver coating (RAL 9006)	
	Fastening material: steel, galvanized	
Scope of delivery:	Incl. fastening material (FS1)	

Floor dowel

- ▶ For anchoring the base plates

Floor dowel	Ø	L (mm)	l ₁ (mm)	l _{2 max} (mm)	No.
	8	80	65	15	3 842 526 560
	10	90	70	15	3 842 526 561
	8	95	65	30	3 842 540 668

Material: Steel, galvanized



Washer

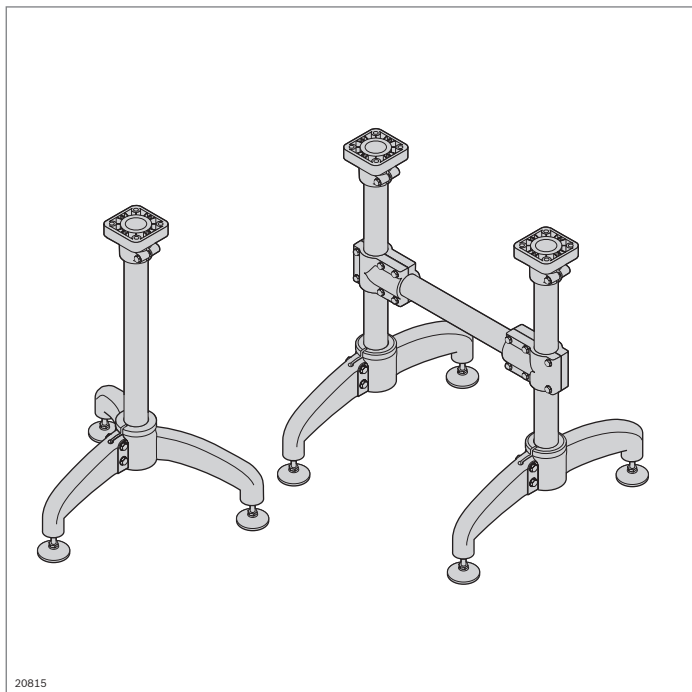
► For leveling in case of uneven flooring

Washer	t (mm)		No.	
for round feet	1	100	3 842 546 717	
	3	100	3 842 546 718	

Material: Steel; stainless

Washer	t (mm)		No.	
for square feet	1	100	3 842 528 189	
	4	100	3 842 528 191	

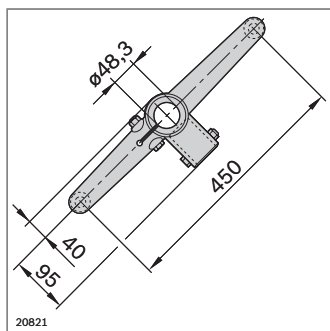
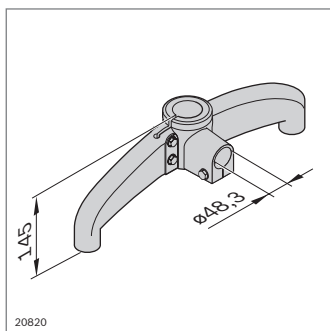
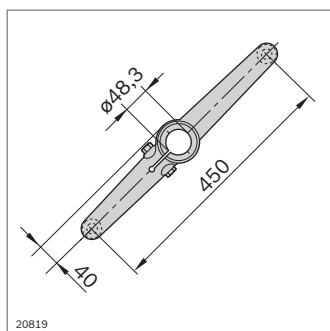
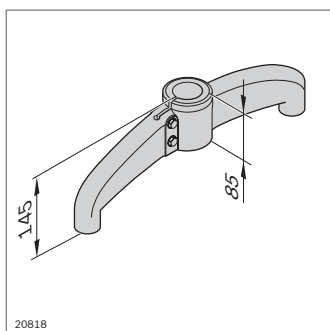
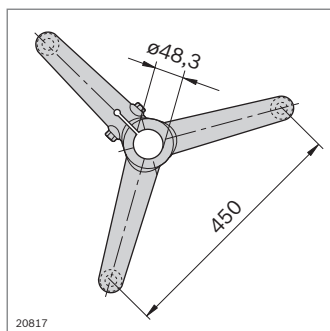
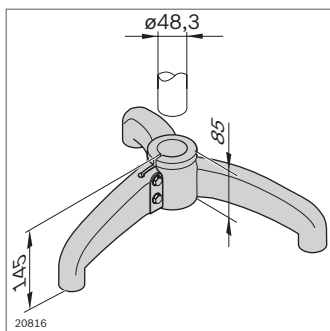
Material: Steel; stainless



Foot, stainless steel

- ▶ Components for constructing feet and frames using the stainless steel tube D 48.3
- ▶ Tube fastened by clamping
- ▶ Shaft thread M16

Accessories, optional:
leveling foot **3 842 533 310** (p. 6-5)



Foot	No.
Tripod	3 842 533 307

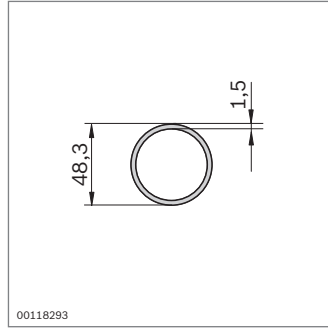
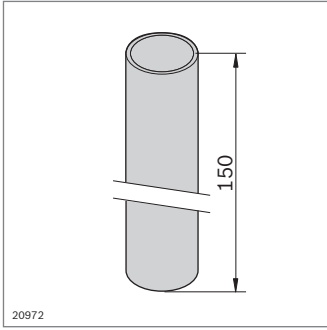
Material: Foot: stainless steel
Fastening material: stainless steel

Foot	No.
Bipod	3 842 533 308

Material: Foot: stainless steel
Fastening material: stainless steel

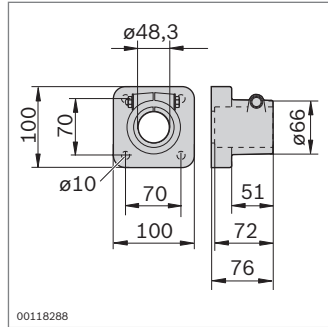
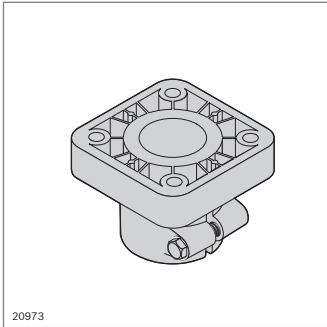
Foot	No.
Bipod with flange	3 842 533 309

Material: Foot: stainless steel
Fastening material: stainless steel



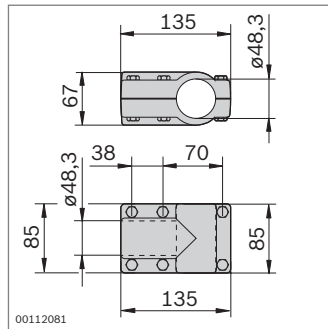
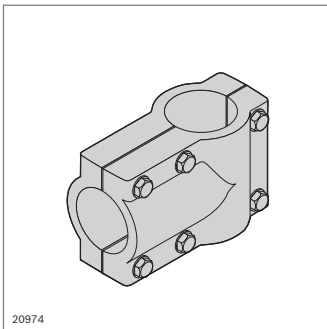
Tube D 48.3		L (mm) No.	
1 pc		200 ... 3000	3 842 993 308 / L
	6 pcs	3000	3 842 533 901

Material: stainless steel



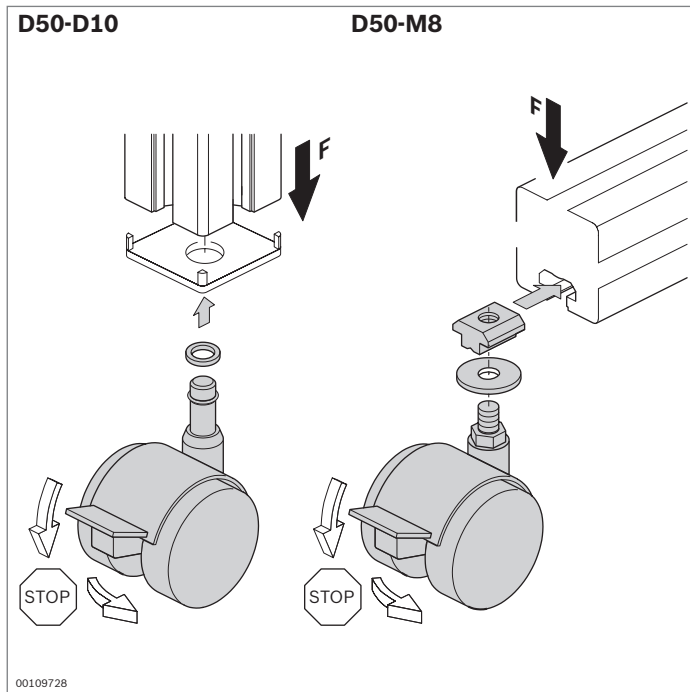
Flange	No.
	3 842 533 305

Material: Flange: PA
Fastening material: stainless steel



Cross connectors	No.
	3 842 533 306

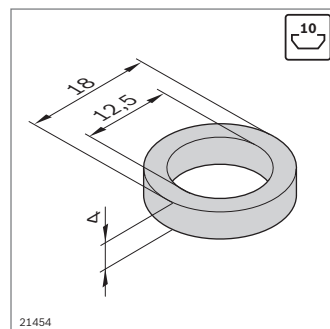
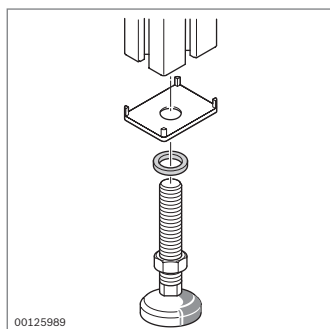
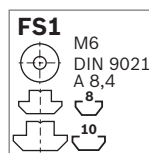
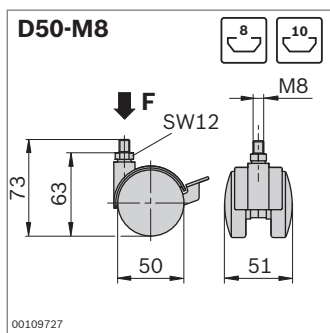
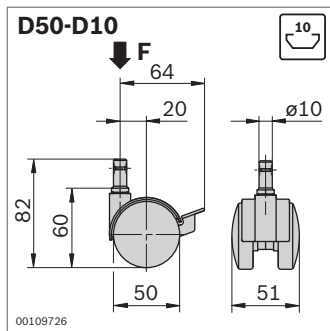
Material: PA
Fastening material, adjustment screw: stainless steel



Double wheel



- ▶ Attractive double wheel for light applications
- ▶ Made of oil-resistant material
- ▶ Double wheel with lock
- ▶ Double wheel D50-D10 for insertion in the central hole with a diameter of 10 mm
- ▶ Double wheel D50-M8 for bolting in the profile slot



Double wheel	F (N)	ESD	No.
D50-D10	400	4	3 842 515 457
	400	4 ¹⁾	3 842 515 459

¹⁾ Conduction resistance $\leq 10^6 \Omega$

Material: Housing, wheel, lock: PA
 Running surface: PU (ESD version only)
 Fastening material: steel, galvanized

Double wheel	F (N)	ESD	No.	FS
D50-M8	400	4	3 842 535 669	FS1
	400	4 ¹⁾	3 842 535 670	FS1

¹⁾ Conduction resistance $\leq 10^6 \Omega$

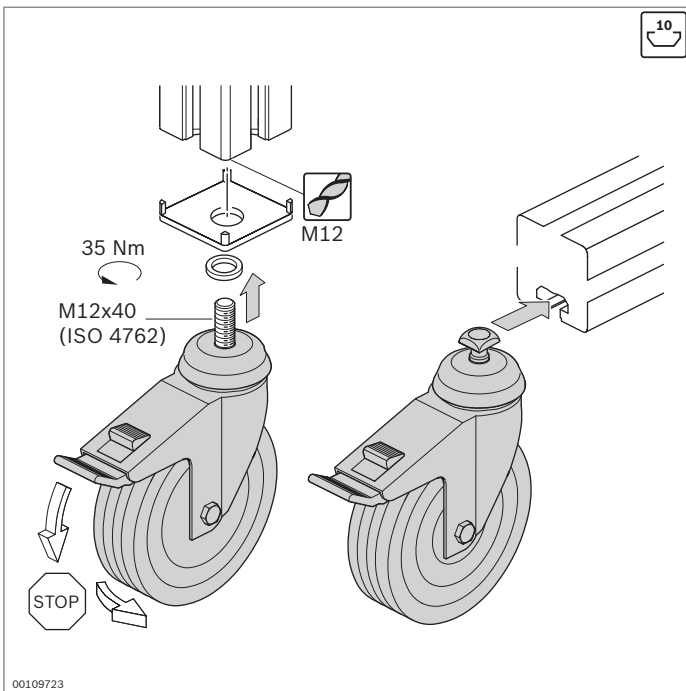
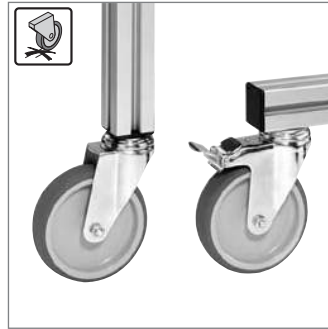
Material: Housing, wheel, lock: PA
 Running surface: PU (ESD version only)
 Fastening material: steel, galvanized

Bearing ring

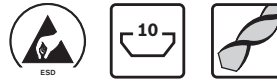
- ▶ For caps with hole
- ▶ For M12 threads
- ▶ To protect the caps when tightening accessories

Bearing ring	No.
	100 3 842 536 321

Material: Stainless steel



Wheel



- ▶ Versatile range of uses
- ▶ Wheels with excellent running properties
- ▶ Available as a castor wheel with lock, castor, and trestle wheel



Especially gentle on floors



Resistant to oil, suitable for workshop floors



Suitable for use in cleanrooms. Conductive material version in accordance with DIN EN 61340-5-1; conduction resistance 10^3 to $10^8 \Omega$



Rubber running surface made of solid rubber with good deformation elasticity. No permanent flattening of the wheel due to it traveling over edges or not being moved for long periods









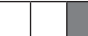





















Suitable for ESD-sensitive areas. Conductive material version in accordance with DIN EN 61340-5-1; conduction resistance $\leq 10^6 \Omega$

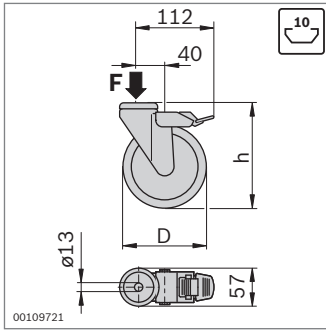
- ▶ Mounting of all wheels in the profile slot or central hole (accessories required)
- ▶ Profile machining: thread cutting M12 for assembly in central hole

Accessories, required:

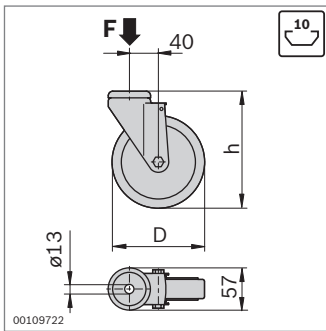
- ▶ Screw M12x40 (ISO 4762) for mounting in central hole (\cup 35 Nm)
- ▶ Bearing ring if cap with hole is used (p. 6-16)

Wheel selection guide

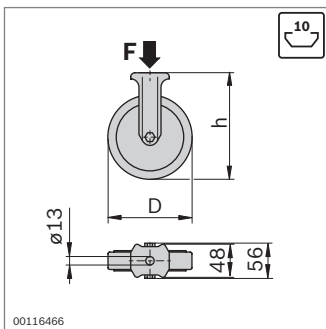
				
Tread	Thermoplastic rubber	Polyamide 6	Solid rubber	Polyurethane
ESD	yes / no (either possible)	no	yes	yes
Tread hardness	 85° shore A	 70° shore D	 80° shore A	 94° shore A
Temperature resistance	 -20 °C ... +60 °C	 -25 °C ... 80 °C	 -20 °C ... +60 °C	 -20 °C ... +60 °C
Rolling resistance	 very good	 outstanding	 good	 very good
Travel noise	 good	 satisfactory	 very good	 good
Floor protection	 good	 satisfactory	 very good	 good
Deformation elasticity of tread	 satisfactory	 adequate	 very good	 good
Tread color	gray	black	black	gray
Makes no track marks	yes	yes	no	yes



FS1
 M12X30
 DIN 985
M12



FS1
 M12X30
 DIN 985
M12



FS1
 M12X30
 DIN 985
M12

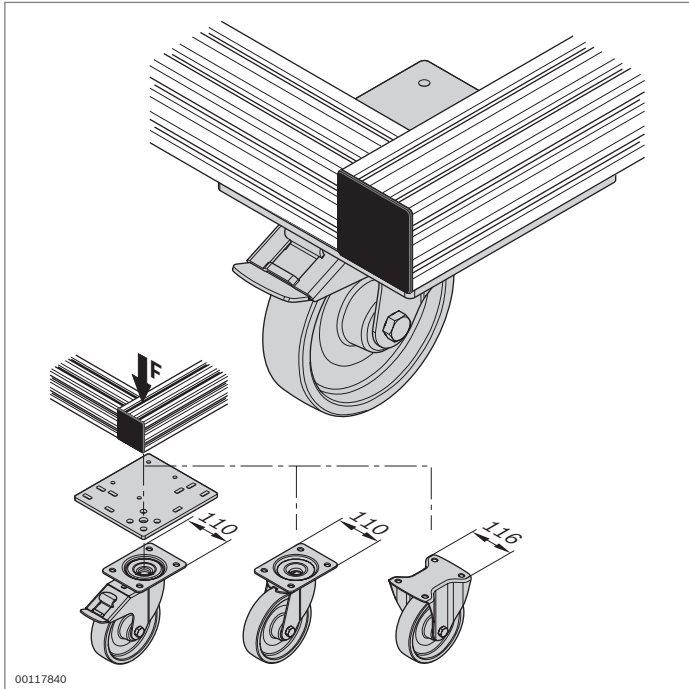
► Steerable castor with lock: lock prevents the wheel from rolling or turning

Caster wheel with lock	F (N)	D (mm)	h (mm)	ESD	No.	FS
	900	80	108		3 842 541 226	FS1
	1100	125	158		3 842 541 228	FS1
	900	80	108		3 842 541 230	FS1
	1100	125	158		3 842 541 232	FS1
	1100	125	158		3 842 515 367	FS1
	1000	125	158		3 842 524 499	FS1
	600	80	108		3 842 547 836	FS1
	800	125	158		3 842 547 838	FS1

Caster wheel	F (N)	D (mm)	h (mm)	ESD	No.	FS
	900	80	108		3 842 541 234	FS1
	1100	125	158		3 842 541 236	FS1
	900	80	108		3 842 541 238	FS1
	1100	125	158		3 842 541 240	FS1
	1100	125	158		3 842 515 366	FS1
	1000	125	158		3 842 524 500	FS1
	600	80	108		3 842 547 835	FS1
	800	125	158		3 842 547 837	FS1

Trestle wheel	F (N)	D (mm)	h (mm)	ESD	No.	FS
	900	80	108		3 842 541 242	FS1
	1100	125	158		3 842 541 244	FS1
	600	80	108		3 842 547 839	FS1
	800	125	158		3 842 547 840	FS1

- Material:
- Thermoplastic rubber
 - Reinforced PA
 - Gray PU; housing: steel, chrome-plated
 - Solid rubber
 - Conductive, conduction resistance $\leq 10^6 \Omega$



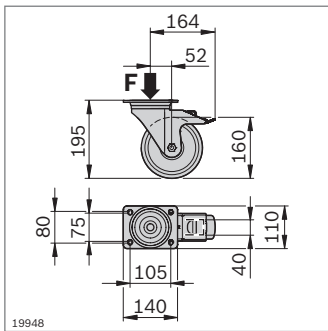
Heavy duty wheel



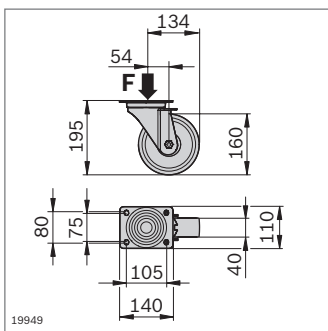
- ▶ Heavy duty wheel with mounting flange
- ▶ Available as a caster wheel with lock, caster, and trestle wheel
- ▶ Heavy duty, particularly suited for workshop applications
- ▶ Wheels with excellent running properties

Required accessories:

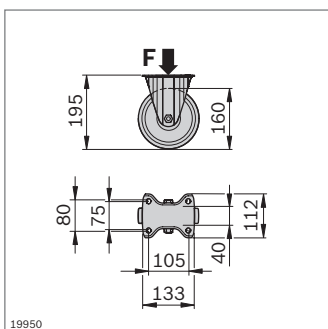
- ▶ Screw M10x16 (ISO 4762), washer A10.5 (DIN 125), lock washer 10FSt for fastening to the screw-on plate
- ▶ T-bolt, flange nut, central bolt M12 or S12 for fastening the screw-on plate to the profile frame



19948



19949



19950

Caster wheel with lock	F (N)	No.
	3000	3 842 536 736

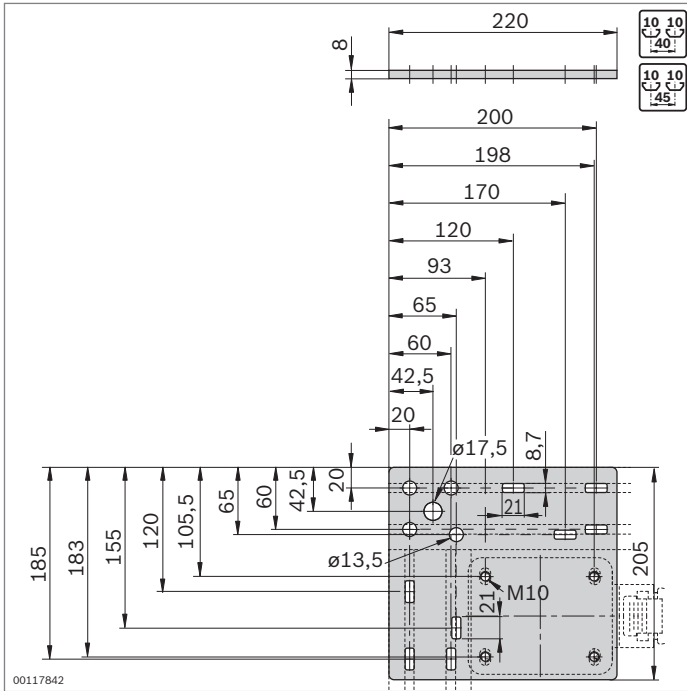
Material: Housing: steel, galvanized,
Wheel: TPU

Caster wheel	F (N)	No.
	3000	3 842 536 737

Material: Housing: steel, galvanized,
Wheel: TPU

Trestle wheel	F (N)	No.
	3000	3 842 536 738

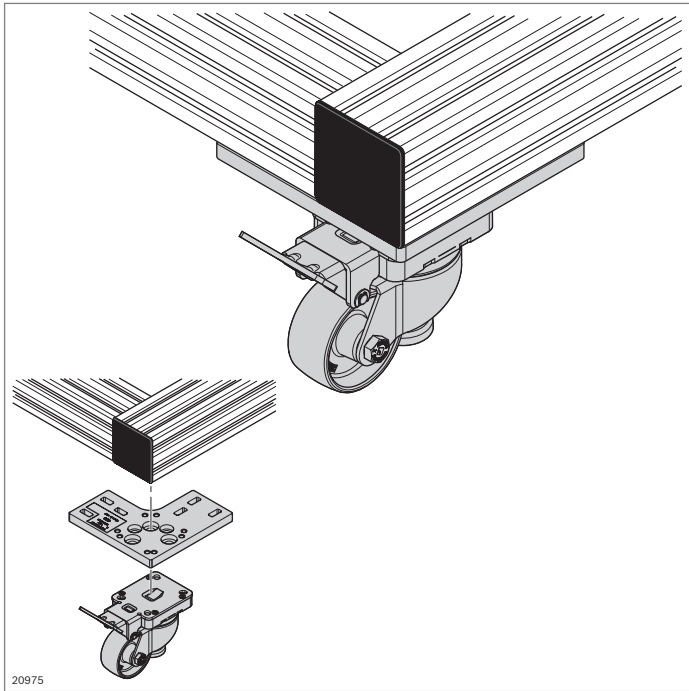
Material: Housing: steel, galvanized,
Wheel: TPU



► Screw-on plate for attachment to 40 mm or 45 mm profiles

Screw-on plate	No.
	4 3 842 536 701

Material: Steel, galvanized



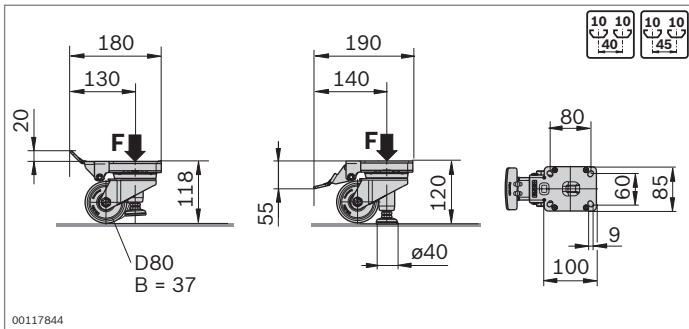
Lifting wheel



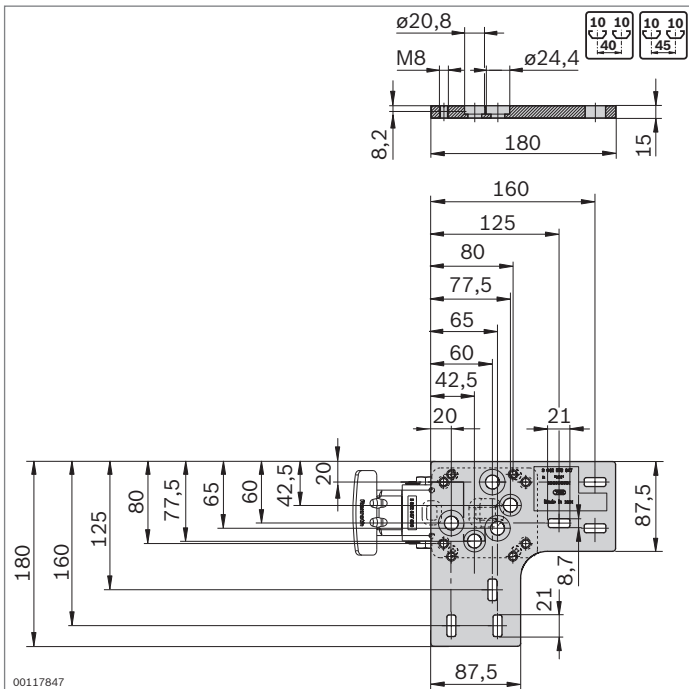
- ▶ Steerable lifting wheel
- ▶ The wheel turns into a stable base simply by engaging the stop lever
- ▶ Screw-on plate for mounting the lifting wheel
- ▶ With “Ideal-Stop”: locking lever does not swivel with the caster wheel but remains in the defined position. The locking lever is fixed in position on the frame by means of the screw-on plate, and the caster wheel moves freely

Required accessories:

- ▶ Screw M8x35 (ISO 4762), washer A8.4 (DIN EN ISO 7090), locking washer 8 FSt for attaching to the screw-on plate
- ▶ T-bolt M8x30 (p. 3-7), flange nut M8 (p. 3-7), central bolt M12 or S12 (p. 3-40) for fastening the screw-on plate to the profile frame



00117844



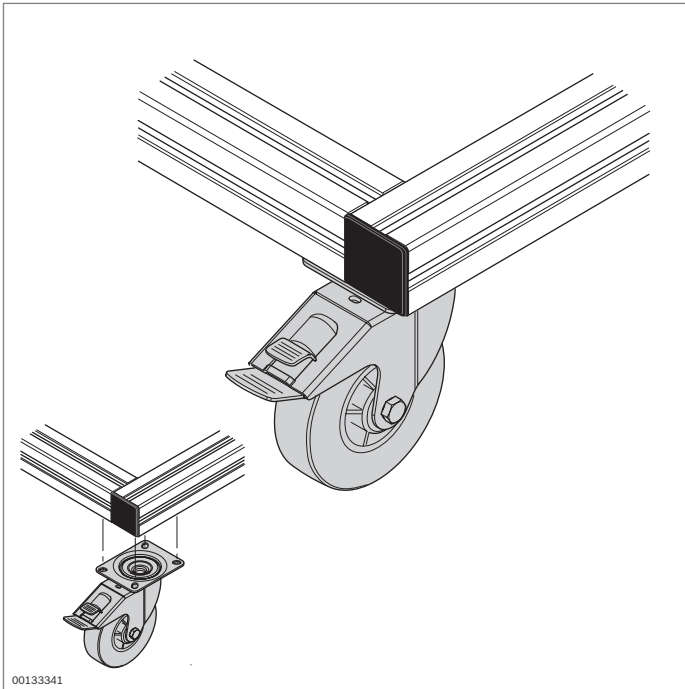
00117847

Lifting wheel	F (N)	No.
	2300	3 842 547 890

Material: Wheel: PA6, natural white
Housing: steel, galvanized
Base plate: rubber; gray

Screw-on plate	No.
	4 3 842 553 967

Material: Steel, galvanized

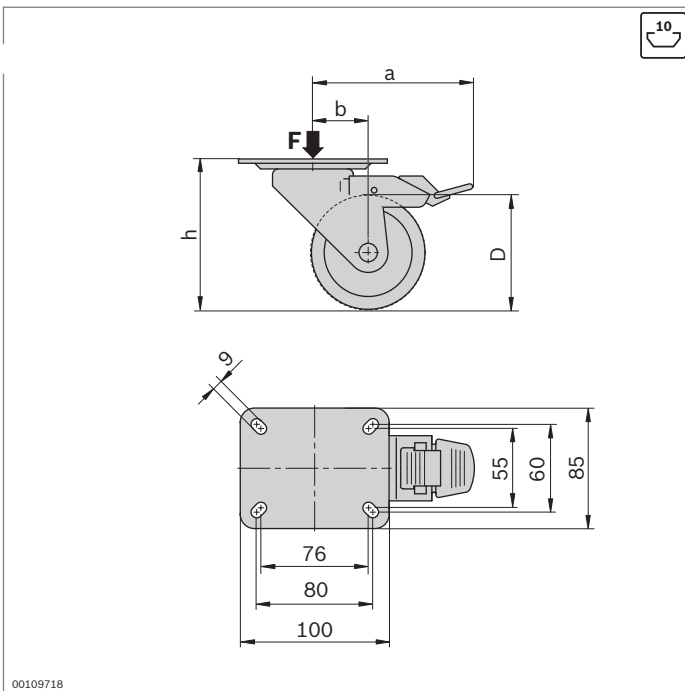


Wheel with mounting flange



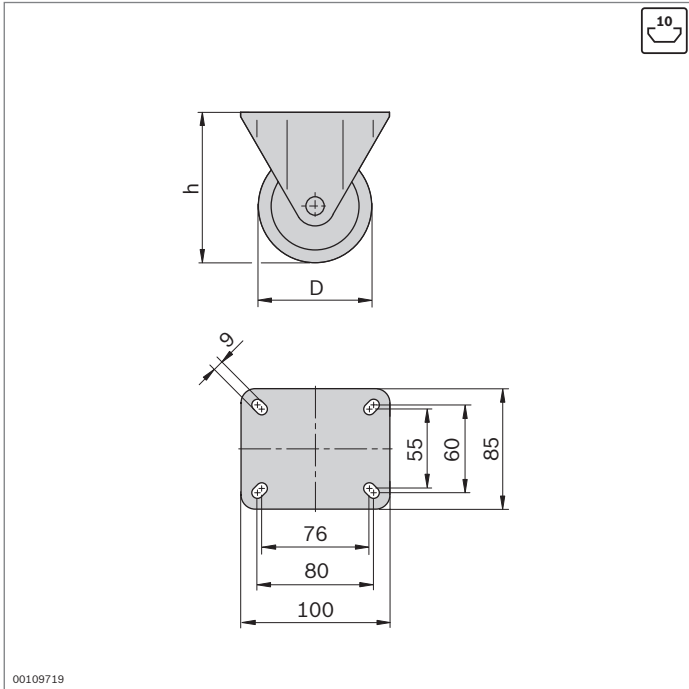
- ▶ Robust wheels with mounting flange
- ▶ Excellent running properties, particularly suitable for workshop floors
- ▶ Available as a caster wheel with lock and as a trestle wheel
- ▶ Caster wheel with lock prevents the wheel from rolling or turning

6



Caster wheel	F (N)	D (mm)	h (mm)	a (mm)	b (mm)	No.
600	100	125	113	36±2		3 842 259 790
900	125	150	123	40±2		3 842 259 791

Material: Wheel: solid rubber
Rims: polypropylene
Housing: sheet steel; galvanized



00109719

FS1	
	ISO 4762
	M8x16
	8-FSt
	DIN 125, 8,4
	M8
	10

Trestle wheel	F (N)	D (mm)	h (mm)	No.
	600	100	125	3 842 259 792
	900	125	150	3 842 259 793

Material: Wheel: solid rubber
Rims: polypropylene
Housing: sheet steel; galvanized

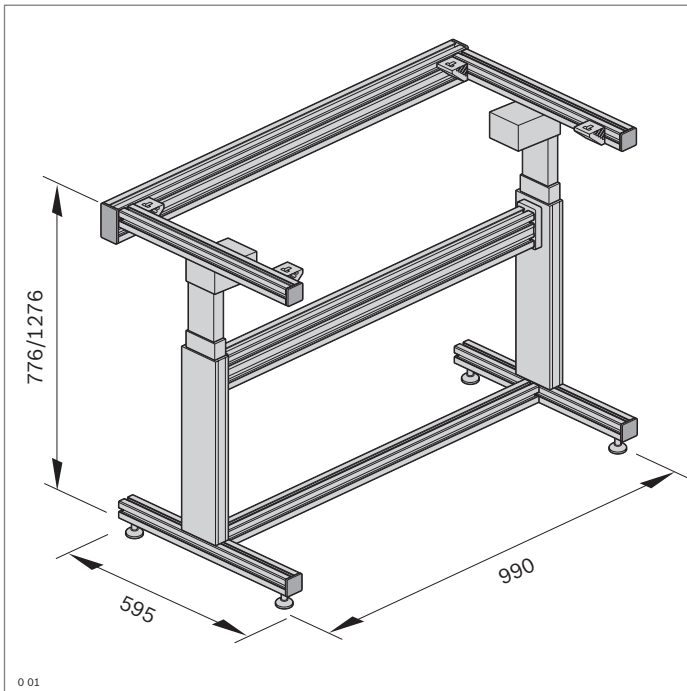
Fastening kit	No.	FS
	3 842 259 794	3xFS1



Adjustable Height Table Frame Kit



- ▶ Two electric motors with synchronizing control raise and lower the table top to adjust to different working heights
- ▶ 500 mm adjustment range can ergonomically accommodate body sizes from the 5th to 95th percentile
- ▶ Easy push button control, operates on standard 110 VAC, 60 Hz current
- ▶ Easily supports distributed loads of 450 lbs when used with Bosch Rexroth standard or ESD tabletops
- ▶ Leveling feet allow adjustment for irregular floor surfaces
- ▶ Mounting bar across the rear of the frame allows installation of accessory uprights and other components



Work Table	No.
	8 981 021 140*)

*) 2 Actuator mounting plates and 1 actuator mounting template included

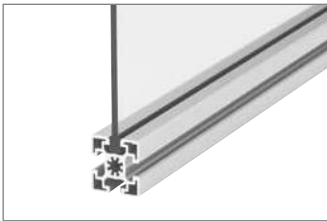
Actuator telescopic (TMA)	No.
	8 981 021 127

Scope of delivery: Incl. controls and cables

Mounting plate	No.
	8 981 021 129

Assy instructions	No.
	8 981 500 290

Support of surface elements



Mounting rim profile (p. 7-2)



Mounting rim profile Clean (p. 7-3)



Protective pane profile, PVC (p. 7-4)



Protective pane profile Clean (p. 7-5)



Variofix block (p. 7-6)
Variofix block S (p. 7-7)



Bracket S (p. 7-8)



Retainer ring (p. 7-9)



Cover strip profile (p. 7-10)



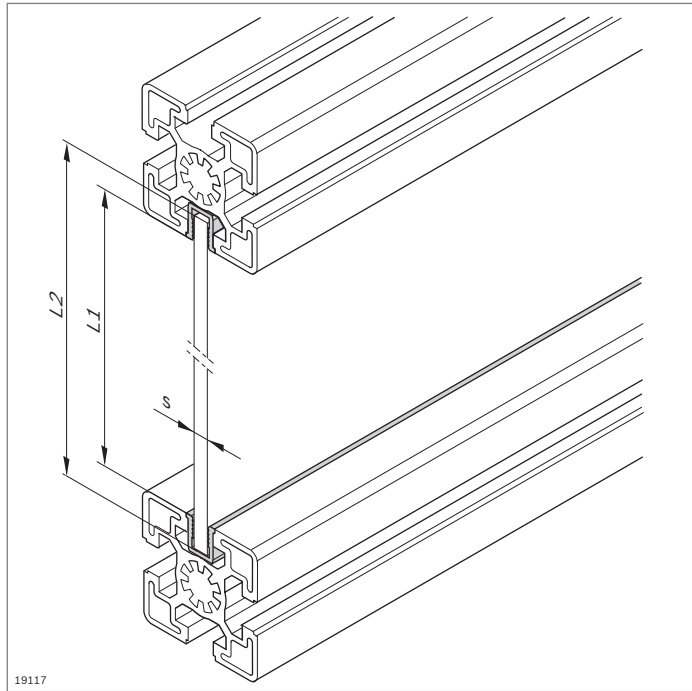
Potential equalizer (p. 7-11)



Protective grille profile (p. 7-12)



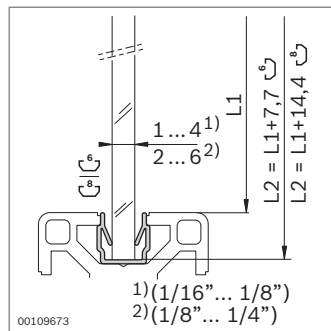
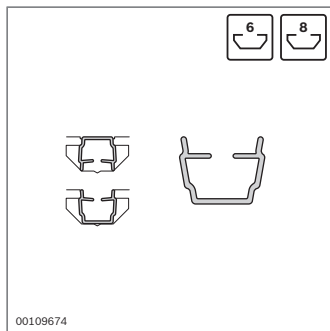
Clamp bushing (p. 7-13)



Mounting rim profile

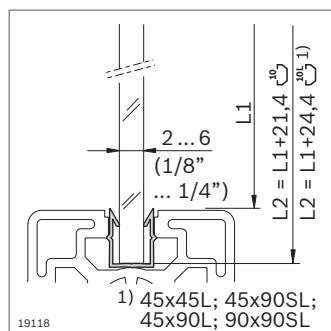
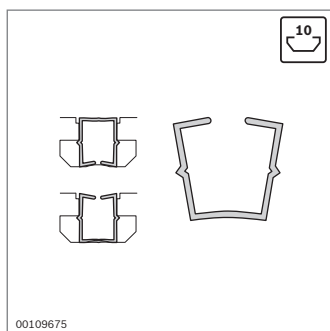


- ▶ For the secure attachment of surface elements in the profile slot
- ▶ For surface elements up to 6 mm thick
- ▶ Installation during frame assembly
- ▶ Mounting rim profiles PP can also be used as cover profiles



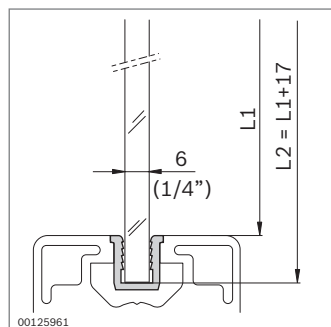
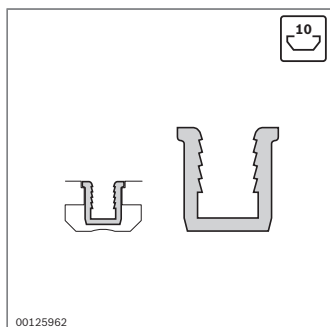
Mounting rim profile	Slot	s (mm)	L (mm)	No.
	6	1 ... 4	2000	3 842 518 343
	8	2 ... 6	2000	3 842 518 347

Material: PP; black



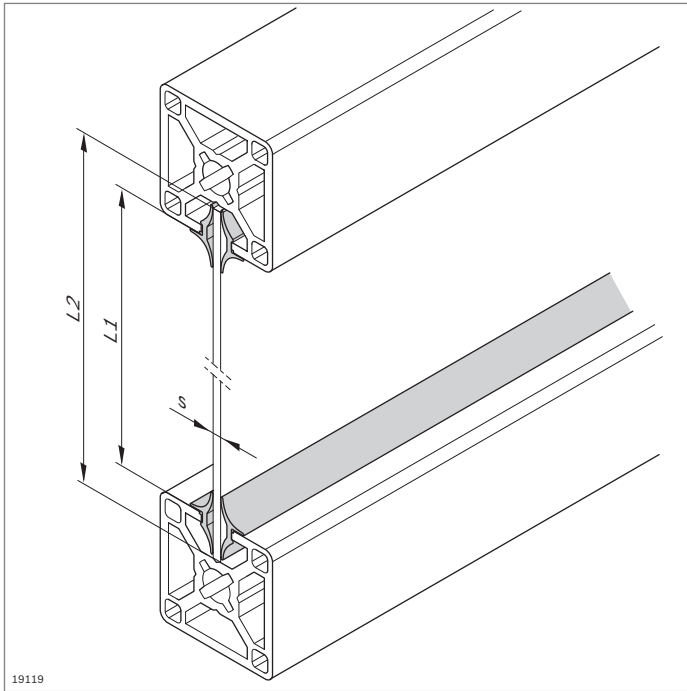
Mounting rim profile	Slot	s (mm)	L (mm)	No.
	10	2 ... 6	2000	3 842 518 351

Material: PP; black



Mounting rim profile	Slot	s (mm)	L (mm)	No.
	10	6	2000	3 842 146 906

Material: PE; black

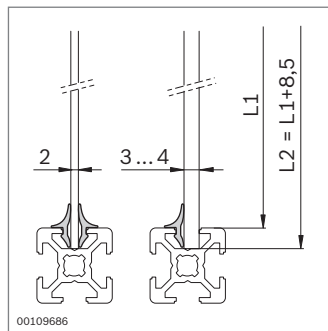
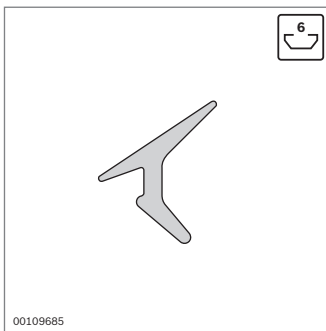


Mounting rim profile Clean



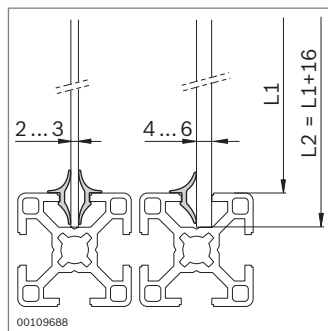
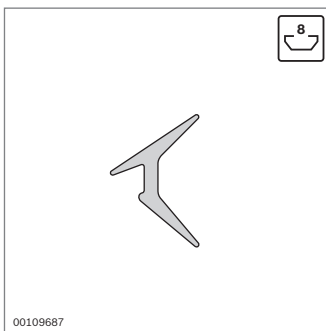
- ▶ For the secure attachment of surface elements in the profile slot
- ▶ For surface elements with a thickness of 2 to 8 mm
- ▶ For use on one or two sides of the mounting rim profile, depending on the surface element thickness
- ▶ Installation during profile frame assembly
- ▶ Suitable for use under cleanroom conditions
- ▶ Assessment of highly volatile organic emissions at room temperature, 50 °C and 120 °C, Report No. BO 9903-160

7



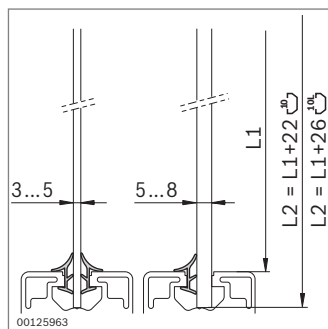
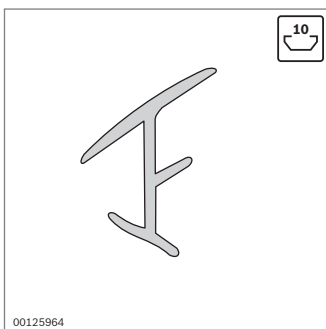
Mounting rim profile Clean	Slot	s (mm)	L (mm)	No.
	6	2 ... 4	10000	3 842 523 493

Material: TPE; light gray RAL 7035



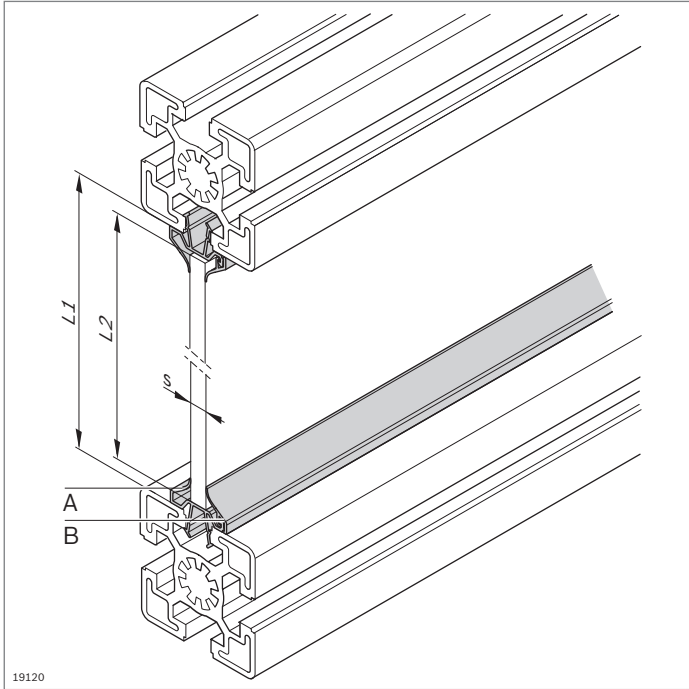
Mounting rim profile Clean	Slot	s (mm)	L (mm)	No.
	8	2 ... 6	10000	3 842 523 494

Material: TPE; light gray RAL 7035



Mounting rim profile Clean	Slot	s (mm)	L (mm)	No.
	10	3 ... 8	10000	3 842 548 949

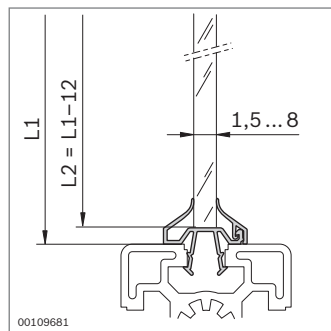
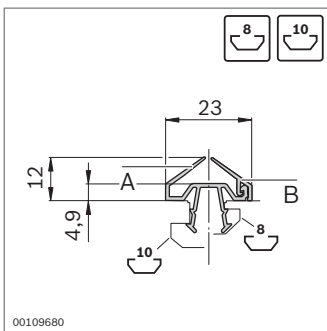
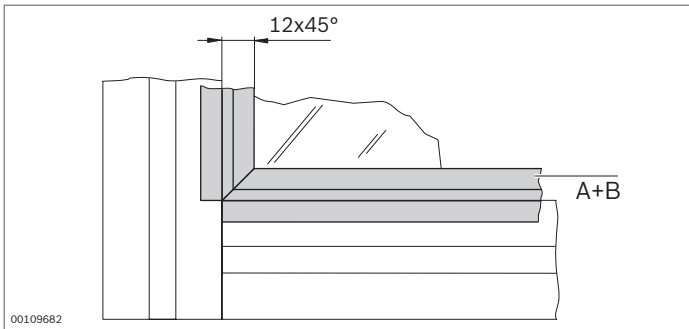
Material: TPE, light gray RAL 7035



Protective pane profile, PVC

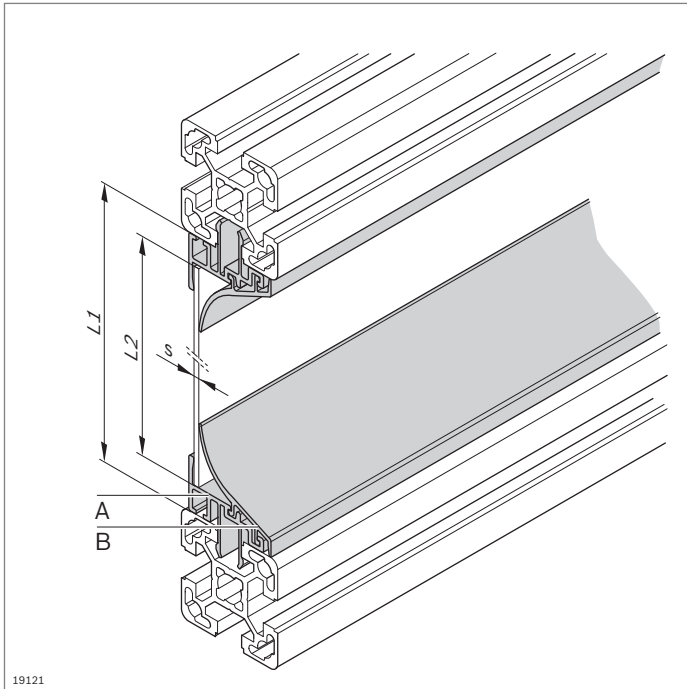


- ▶ For the secure attachment of surface elements
- ▶ For surface elements with a thickness of 1.5 to 8 mm
- ▶ For subsequent installation in closed frame constructions
- ▶ Installation of surface elements at center of slot
- ▶ The protective pane profile consists of the basic profile (**A**) and the clip strip (**B**)
- ▶ With lip seals to protect the working space from splashing liquids

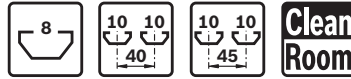


Protective pane profile, PVC	Slot	s (mm)	L (mm)		No.
A Base profile	8, 10	1.5 ... 8	2000	10	3 842 519 565
B Clip strip	8, 10	1.5 ... 8	2000	10	3 842 519 567

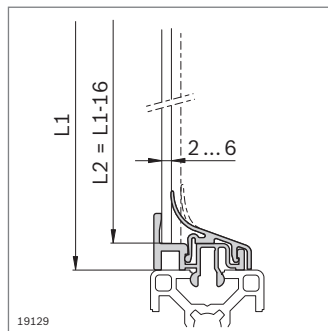
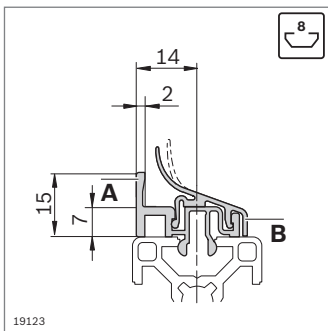
Material: PVC; black



Protective pane profile Clean

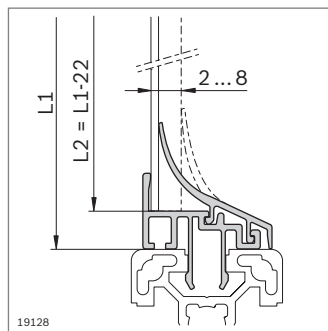
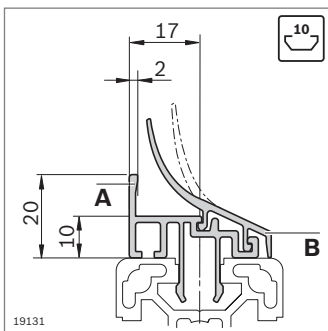


- ▶ For the secure attachment of surface elements
- ▶ For surface elements with a thickness of 1.5 to 8 mm
- ▶ For subsequent installation in closed frame constructions
- ▶ Installation of surface elements flush with the profile edge
- ▶ The protective pane profile consists of the basic profile (A) and the clip-on strip (B). Both profiles are required for proper functioning.
- ▶ Suitable for use under cleanroom conditions
- ▶ Assessment of highly volatile organic emissions at room temperature, 50 °C and 120 °C, Report No. BO 9903-161



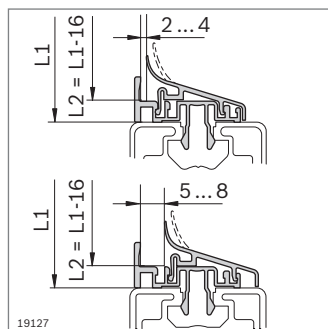
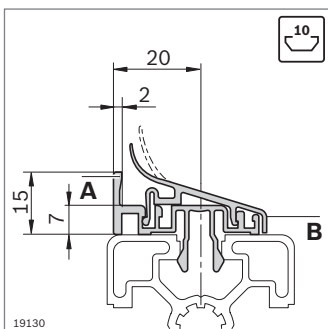
Protective pane profile	Slot	s (mm)	L (mm)	Icon	No.
A Basic profile	8	2 ... 6	2000	10	3 842 524 025
B Clip strip	8	2 ... 6	2000	10	3 842 524 026

Material: Base profile: aluminum, anodized
Clip strip: PP/TPE; light gray RAL 7035



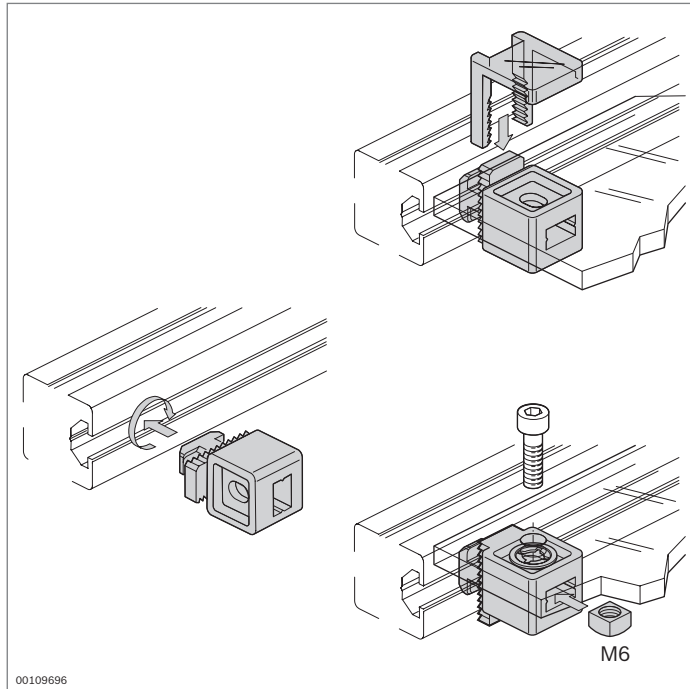
Protective pane profile	Slot	s (mm)	L (mm)	Icon	No.
A Basic profile	10	2 ... 8	2000	10	3 842 529 761
B Clip strip	10	2 ... 8	2000	10	3 842 529 762

Material: Base profile: aluminum, anodized
Clip-on strip: PP/TPE; light gray RAL 7035



Protective pane profile	Slot	s (mm)	L (mm)	Icon	No.
A Basic profile	10	2 ... 8	2000	10	3 842 524 027
B Clip strip	10	2 ... 8	2000	10	3 842 524 028

Material: Basic profile: aluminum, anodized
Clip strip: PP/TPE; light gray RAL 7035



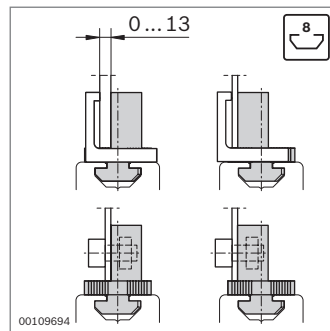
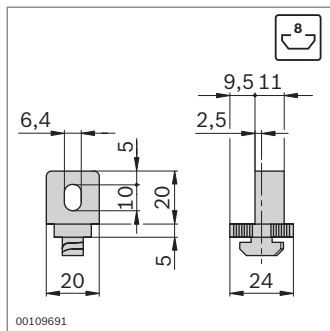
Variofix Block



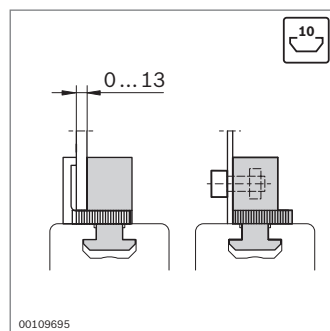
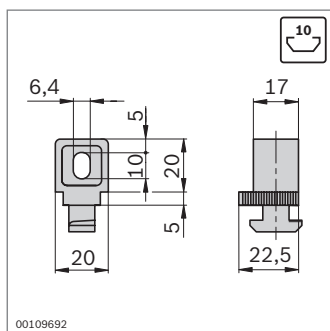
- ▶ For surface elements up to 13 mm thick
- ▶ For subsequent installation in closed frame constructions
- ▶ Asymmetrical form enables fastening of surface elements in two different positions
- ▶ Clamping via snap-in clips or screw fitting with square nut M6 (included in scope of delivery) and screw
- ▶ Retainer ring for connecting the screw to the surface element (Machinery Directive 2006/42/EC)

Accessories:

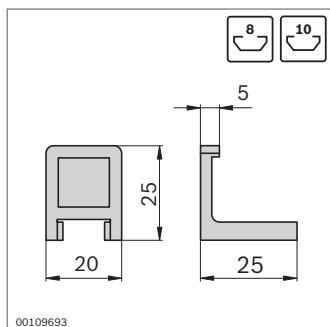
- ▶ Variofix remover (p. 14-7)
- ▶ Screw for fitting with square nut



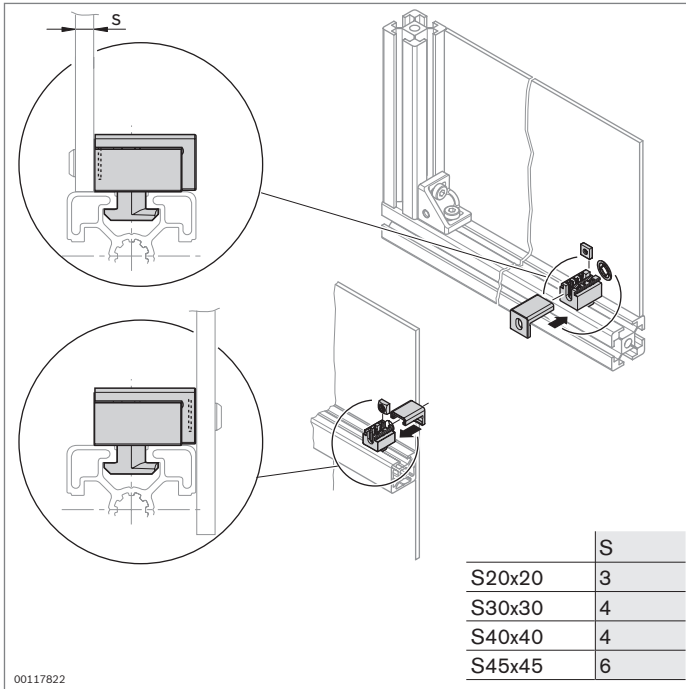
Variofix block	Color	Slot	No.
	Signal gray	8 10	3 842 548 832
Material:	PP		
	Square nut: steel, galvanized		
Scope of delivery:	Incl. square nut		



Variofix block	Color	Slot	No.
	Signal gray	10 10	3 842 548 834
Material:	PP		
	Square nut: steel, galvanized		
Scope of delivery:	Incl. square nut M6, retainer ring M6		



Snap-in clip	No.
	10 3 842 184 738
Material:	PA; colorless



00117822

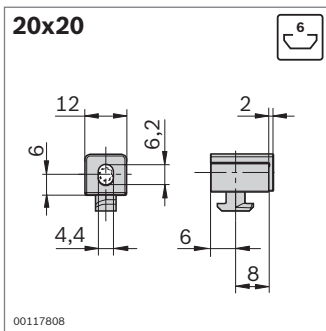
Variofix S Block



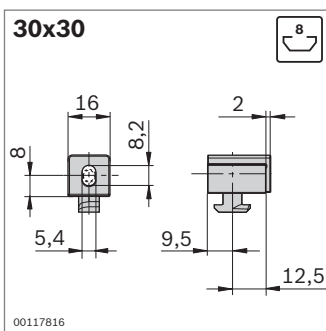
- ▶ For virtually gap-free surface element mounting
- ▶ For subsequent installation in closed frame constructions
- ▶ The asymmetrical design and cap enable variable mounting positions for the surface elements: flush with the profile edge or situated in front of the profile
- ▶ Retainer ring for connecting the screw to the surface element (Machinery Directive 2006/42/EC)

Required accessories:

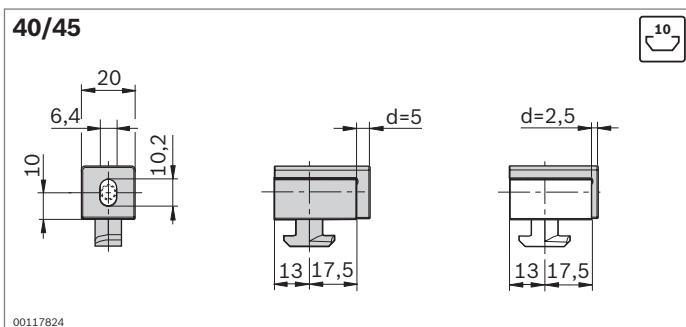
Screw for fastening the surface element



00117808



00117816



00117824

Variofix S block	Color	Slot	No.
20x20	Signal gray	6	10

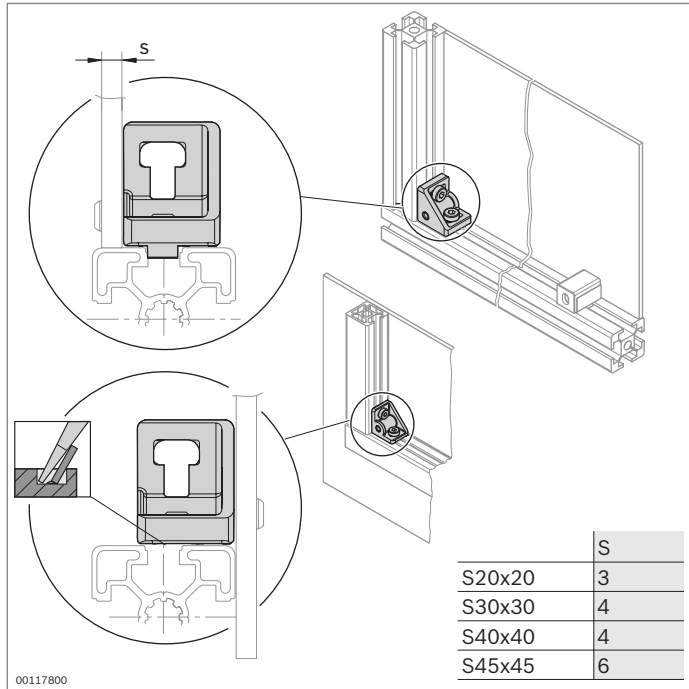
Material: PP
 Square nut: steel, galvanized
 Scope of delivery: Incl. square nut M4, cap

Variofix S block	Color	Slot	No.
30x30	Signal gray	8	10

Material: PP
 Square nut: steel, galvanized
 Scope of delivery: Incl. square nut M5, cap, retainer ring

Variofix block S	Color	Slot	No.
40/45	Signal gray	10	10

Material: PP
 Square nut: steel, galvanized
 Scope of delivery: Incl. square nut M5, 2 x cap (d = 2.5 mm; d = 5 mm), retainer ring



Bracket S



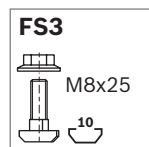
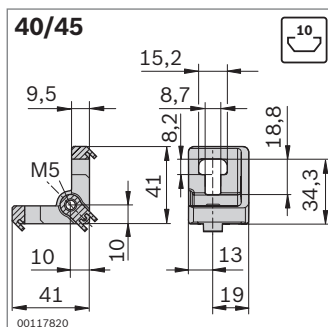
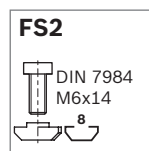
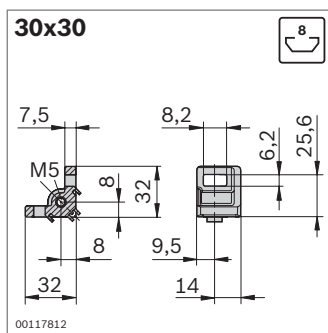
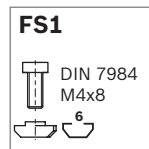
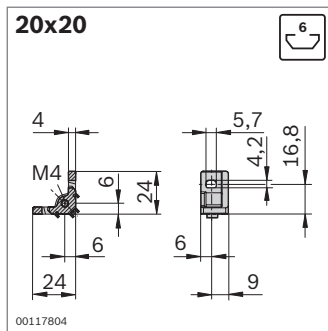
- ▶ Bracket with thread for virtually gap-free mounting of surface elements
- ▶ For subsequent installation in closed frame constructions
- ▶ Surface elements can be mounted in different positions: flush with the profile edge or situated in front of the profile (by breaking off the centering lug)

Required accessories:

Screw for fastening the surface element

Accessories, optional:

- ▶ Variofix S block (p. 7-7)
- ▶ Retainer ring (p. 7-9)



Bracket S	Slot	No.	FS
20x20	6	20	3 842 536 489
20x20 set	6	1	3 842 536 670 2xFS1

Material: Diecast aluminum

Fastening material: steel, galvanized


Scope of delivery: Set incl. fastening material (FS)

Bracket S	Slot	No.	FS
30x30	8	20	3 842 536 490
30x30 set	8	1	3 842 536 671 2xFS2

Material: diecast aluminum

Fastening material: steel, galvanized

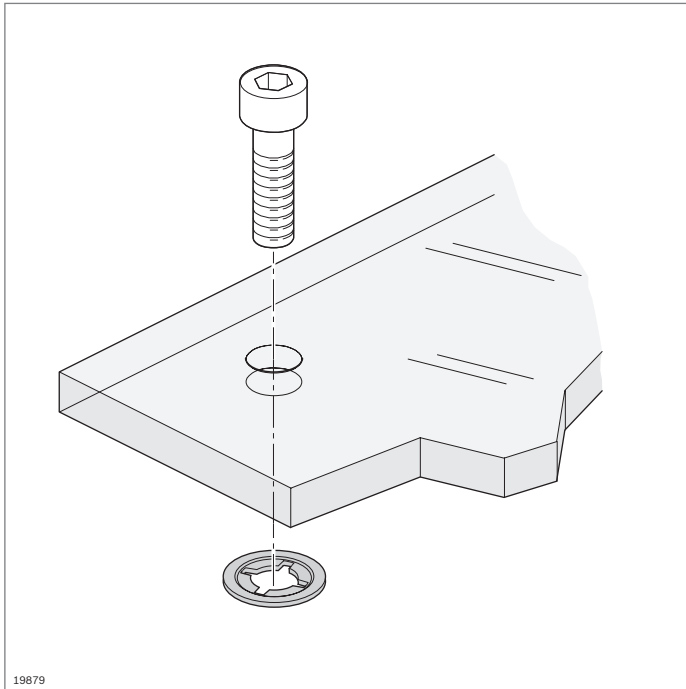
Scope of delivery: Set incl. fastening material (FS)

Bracket S	Slot	No.	FS
40/45	10	20	3 842 536 491
40/45 set	10	1	3 842 536 672 2xFS3 

Material: diecast aluminum

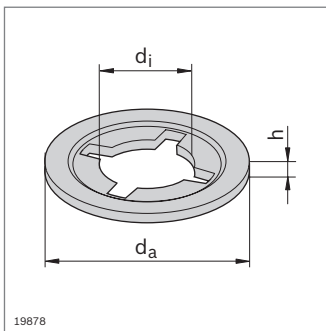
Fastening material: steel, galvanized

Scope of delivery: Set incl. fastening material (FS)



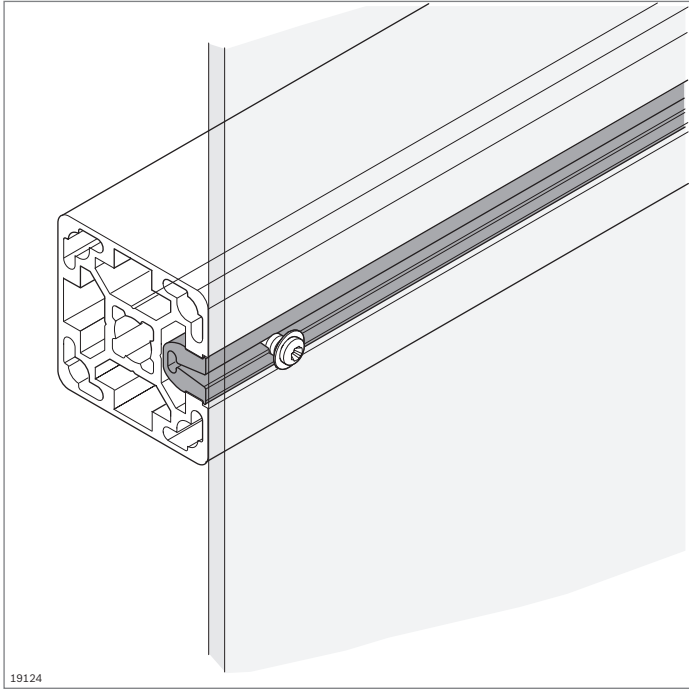
Retainer ring

- ▶ Secures the fastening screw to the surface element
- ▶ For use with all Variofix blocks, but not for the S bracket
- ▶ Retrofitting possible
- ▶ For various thread sizes



Retainer ring	d_a (mm)	d_i (mm)	h (mm)		No.
M4	9.0	3.4	1.0	100	3 842 542 328
M5	10.0	4.5	1.0	100	3 842 542 329
M6	12.5	5.5	1.5	100	3 842 542 330

Material: PA, black



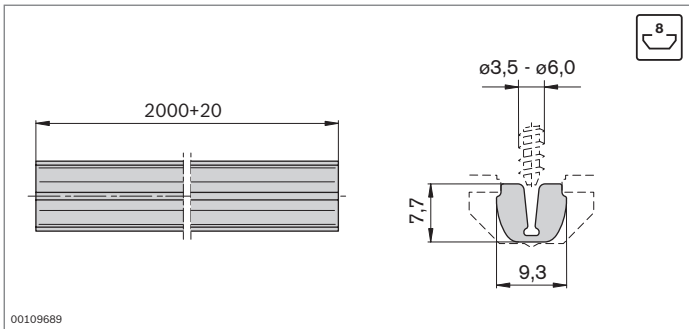
Cover strip profile



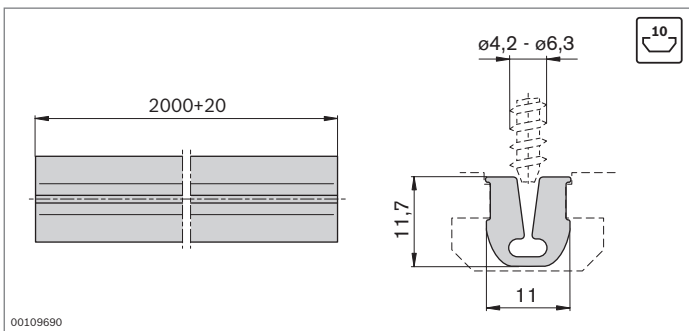
- ▶ Cover strip profile for fastening surface elements using commercially available sheet metal screws
- ▶ Clipping the cover strip profile into the profile slot
- ▶ Inexpensive connection element

Required accessories:

Sheet metal screws for fastening surface elements



00109689



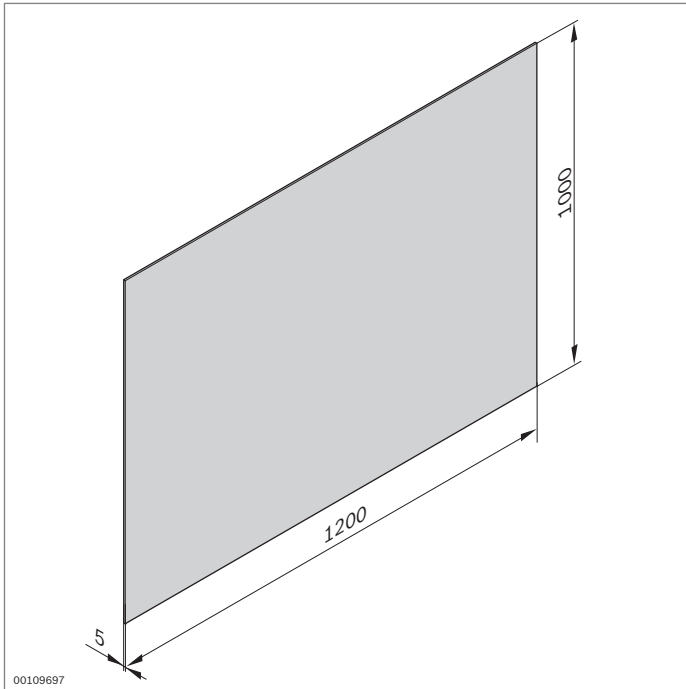
00109690

Cover strip profile	Slot	L (mm)	No.
	8	2000	3 842 524 069

Material: PVC, light gray RAL 7035

Cover strip profile	Slot	L (mm)	No.
	10	2000	3 842 524 072

Material: PVC, light gray RAL 7035



Universal plate



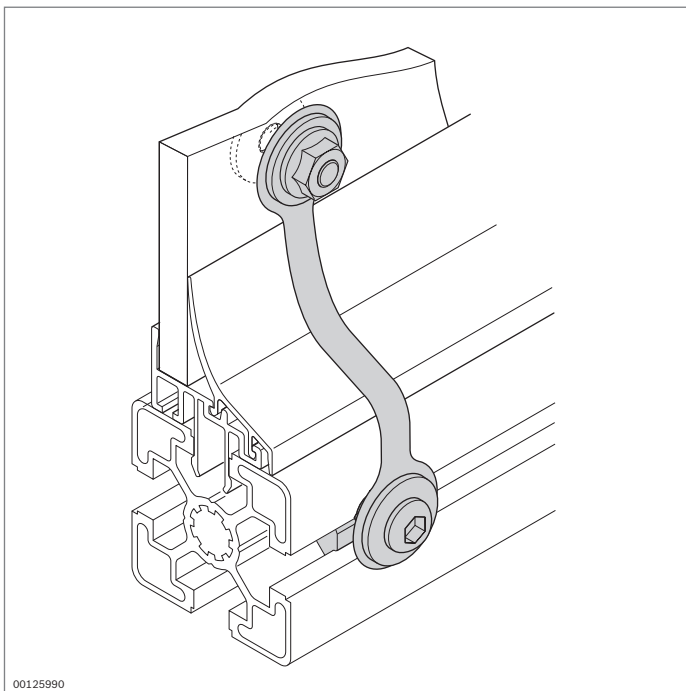
- For the construction of tablets, material shuttles, or privacy shields on tables or frames

Accessories:

Frame profile, support of surface elements

Universal plate	ESD	No.
PP		3 842 516 837
PS		3 842 516 838

Material: PP: gray, smooth on one side, grained on the other
PS: black, smooth on both sides



Potential equalizer

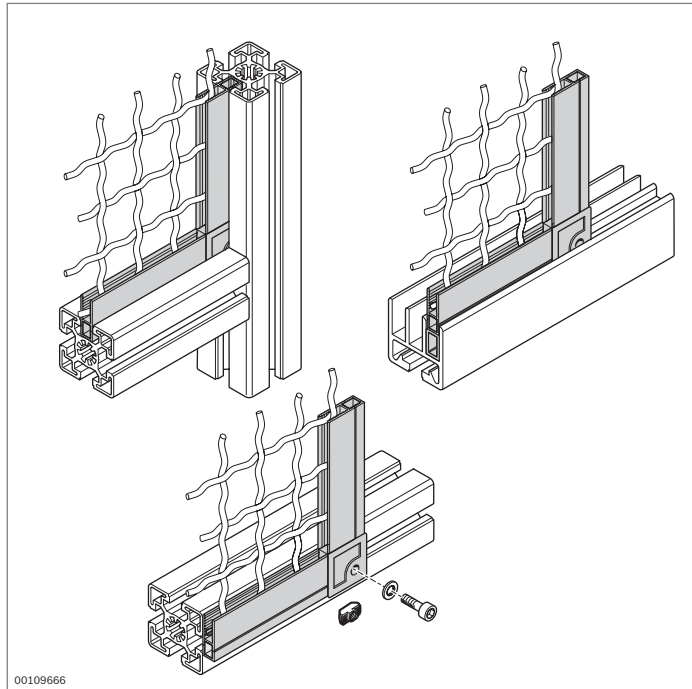


- To establish a defined electrostatic conduction between surface elements and strut profiles

Potential equalizer	ESD		No.
		10	3 842 536 148

Material: Strip steel, stainless
Fastening material: steel, galvanized

Scope of delivery: Incl. fastening material



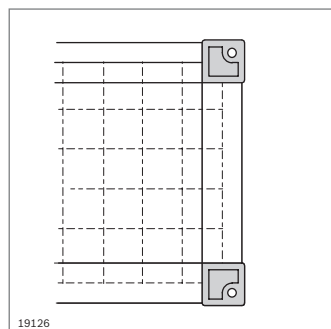
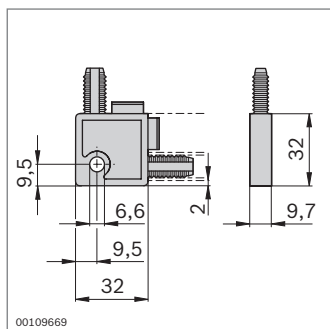
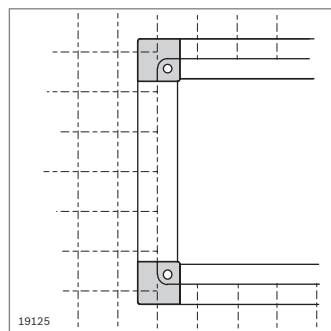
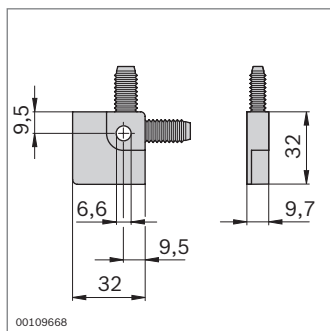
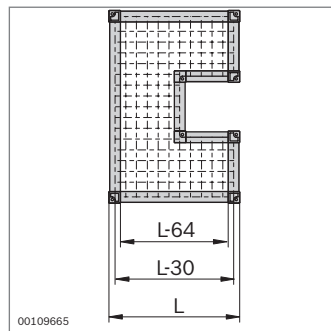
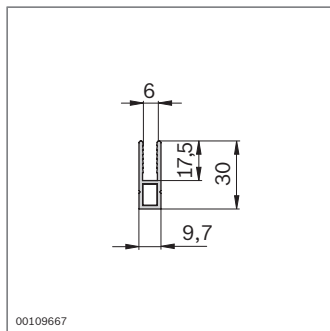
Protective grille profile



- ▶ For constructing frames for woven wire grilles or surface elements
- ▶ For woven wire grilles with a wire diameter up to 3.1 mm
- ▶ For surface elements up to 6 mm thick
- ▶ Screw fitting of frame to the outside of strut profiles (subsequent installation)
- ▶ For inserting the frame into the slot of a strut profile or a sliding door profile Al 45
- ▶ Corner pieces for inner and outer corners

Accessories, optional:

- ▶ T-nut M6 (p. 3-4)
- ▶ Screw M6



Protective grille profile	L (mm)	No.
	3000 ¹⁾	20 3 842 305 766

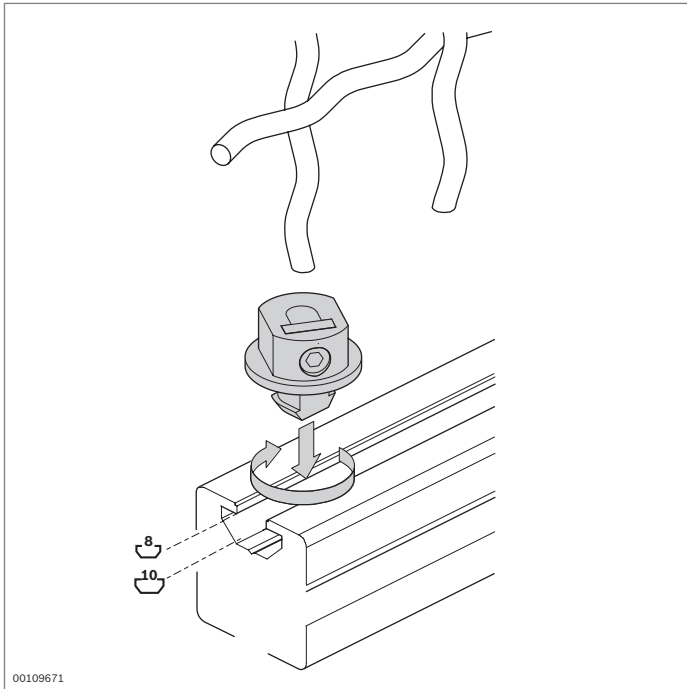
¹⁾ Due to the (anodic oxidation) contact points produced in the manufacturing process, supplied in profile length of 3100 mm
Material: aluminum, black anodized

Inner corner piece	No.
	20 3 842 305 768

Material: PA; black

Outer corner piece	No.
	20 3 842 305 767

Material: PA; black



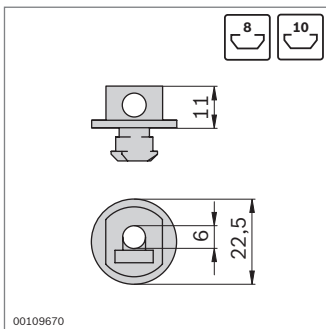
00109671

Clamp bushing

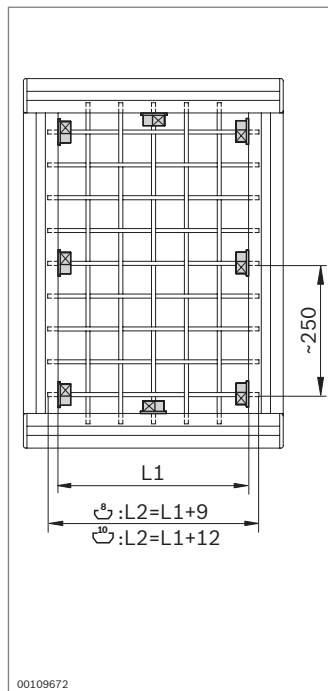


- ▶ For fastening woven wire grilles in the profile slot
- ▶ For woven wire grilles with a wire diameter up to 3.1 mm
- ▶ Suitable for 8 mm and 10 mm slots
- ▶ Inexpensive connection element
- ▶ Rattle-free attachment

7



00109670



00109672

Clamp bushing	Slot	No.	FS
	8, 10	100	3 842 515 244 FS1

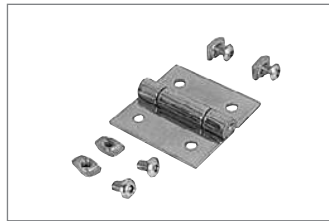
Material: Diecast zinc
Fastening material: steel, galvanized

FS1	
	EN ISO 4027 M6x10
	DIN 562 M6-04

Doors and fittings



Hinge profile (p. 8-3)



Hinge (p. 8-4)



Hinge, plastic (p. 8-5)



Hinge, aluminum (p. 8-6)



LIFTOFF hinge (p. 8-7)



Hinge, removable (p. 8-8)



Hinge, adjustable (p. 8-9)



Folding door element (p. 8-10)



Lock for swing and sliding doors (p. 8-11)



Door lock (p. 8-12)



Door lock for EcoSafe sliding doors (p. 8-13)



Mortise lock, door handle (p. 8-14)



Door lock for swing doors
(p. 8-16)



Bow-type handle (p. 8-17)



Safety handle (p. 8-18)



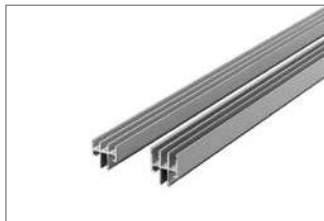
Sealing strip (p. 8-19)
Sealing profile (p. 8-20)



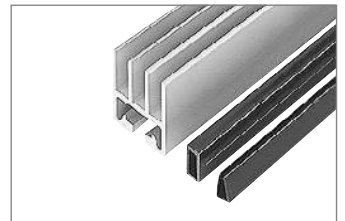
Slider (p. 8-21)



Sliding door profile PVC
(p. 8-22)



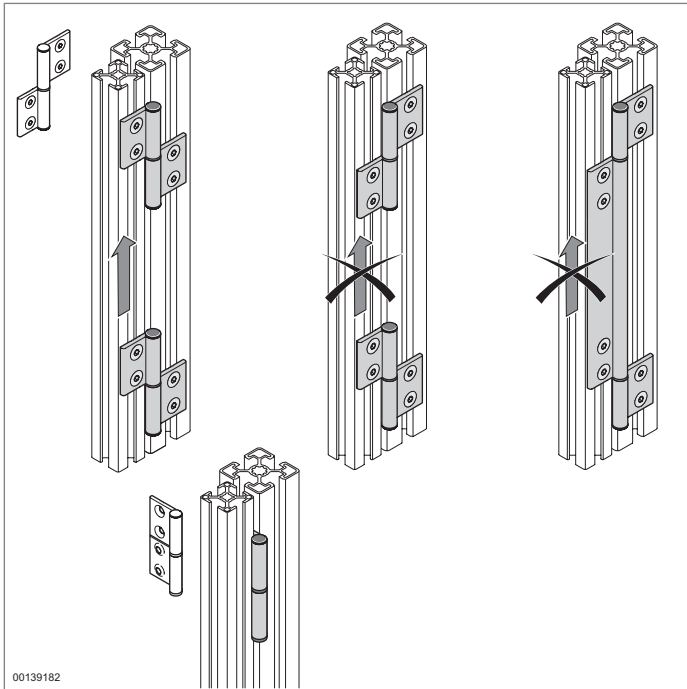
Sliding door profile Al clip
(p. 8-23)



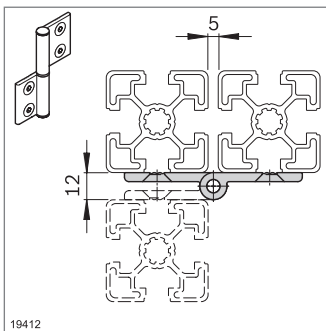
Sliding door profile Al 45
(p. 8-24)



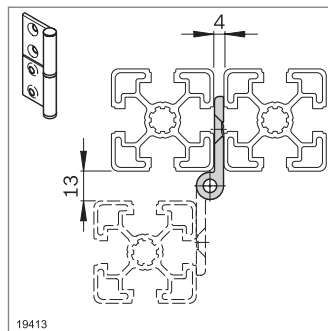
Edge protector, door handle
profile (p. 8-26)



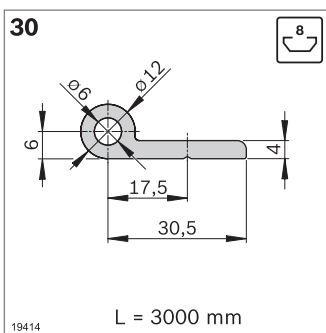
00139182



19412

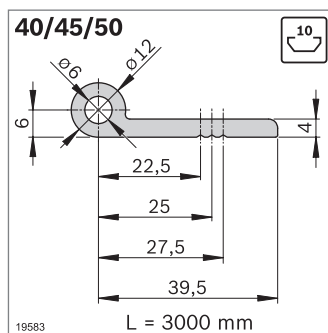


19413



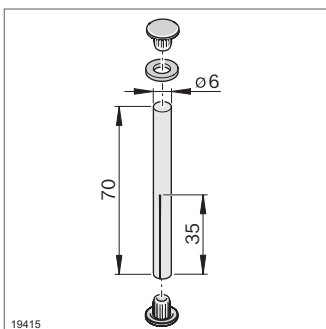
19414

L = 3000 mm



19583

L = 3000 mm



19415

Hinge profile



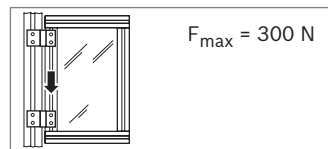
- ▶ For self-assembly of hinges or hinge bands
- ▶ Possible to use as a non-transparent hinge band to fully cover the door gap
- ▶ Hinge profiles for slot dimensions 30 and 40/45/50 can also be combined for maximum flexibility
- ▶ For doors with profile frames or doors made of solid surface elements
- ▶ Assembly on exterior or interior
- ▶ Assembly as removable and non-removable hinges
- ▶ Opening to the right and left
- ▶ Centering slots as a drill guide for mounting bores
- ▶ Required finishing:
 - cut the hinge halves to length
 - drill for fixing

Required accessories:

- ▶ hinge pins
- ▶ T-nut M6 (p. 3-4)
- ▶ screw ISO 10642 M6x12 (8 mm slot)
- ▶ screw ISO 10642 M6x16 (10 mm slot)

Hinge profile	L (mm)	No.
30	3000	10 3 842 543 371
40/45/50	3000	10 3 842 543 372

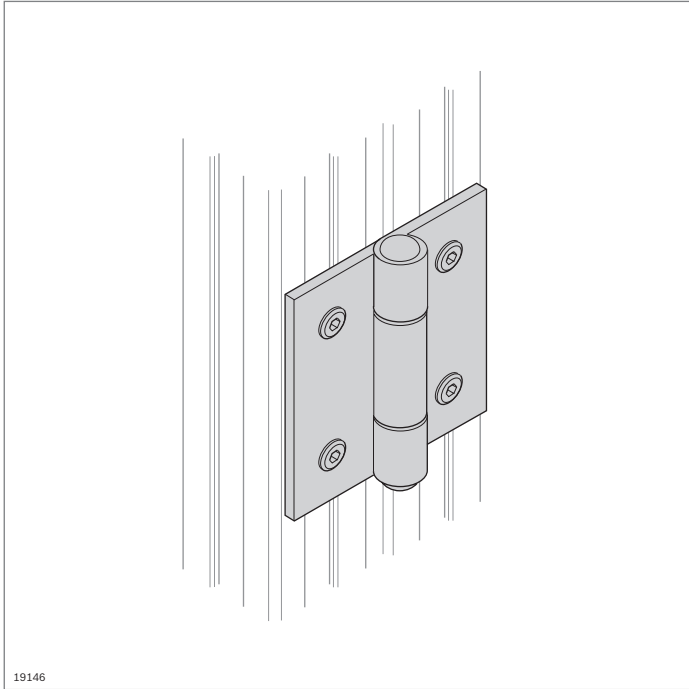
Material: Aluminum, anodized



Hinge pins	No.
	10 3 842 544 661

Material: Grooved pin: steel; galvanized
Washer, cap: PA

Scope of delivery: Incl. grooved pin, 2 x cap, washer

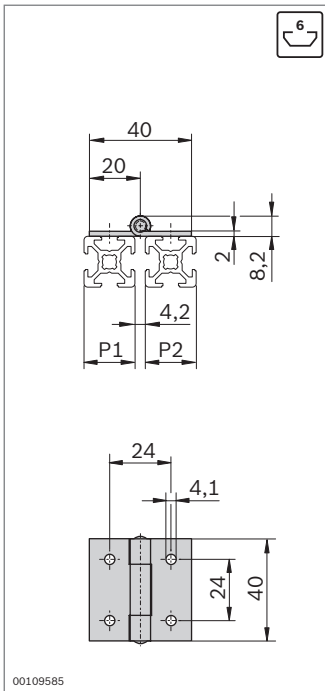


19146

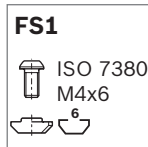
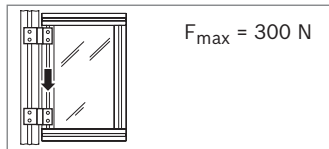
Hinge

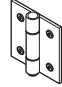



- ▶ Assembly possible on solid surface elements
- ▶ For small doors and flaps
- ▶ Steel hinge for profiles with 6 mm slot

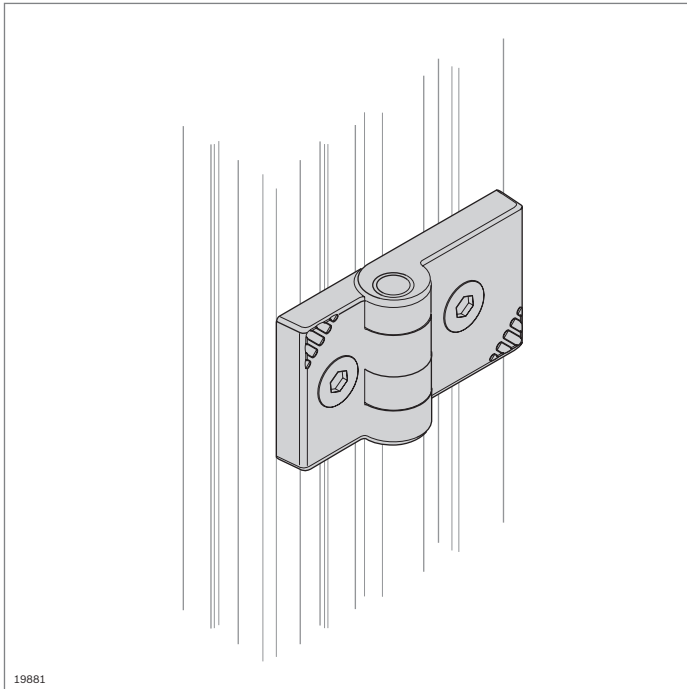


00109585



Hinge	P1 (mm)	P2 (mm)	ESD	No.	FS
	20	20		2	3 842 535 684 4xFS1

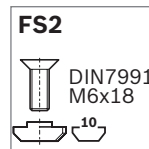
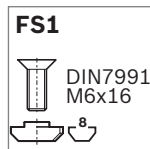
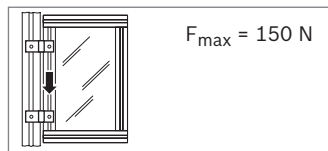
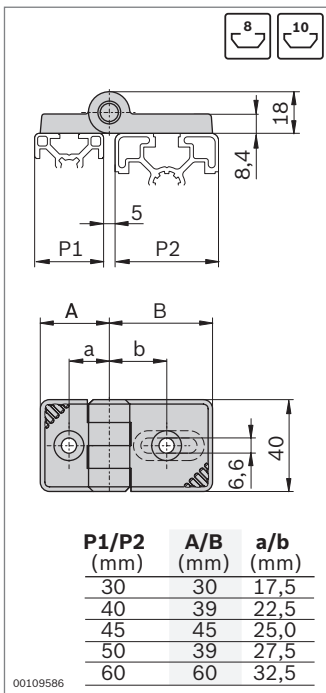
Material: Steel, stainless
 Fastening material: steel; galvanized
 Scope of delivery: Incl. fastening material (FS)








Hinge, plastic



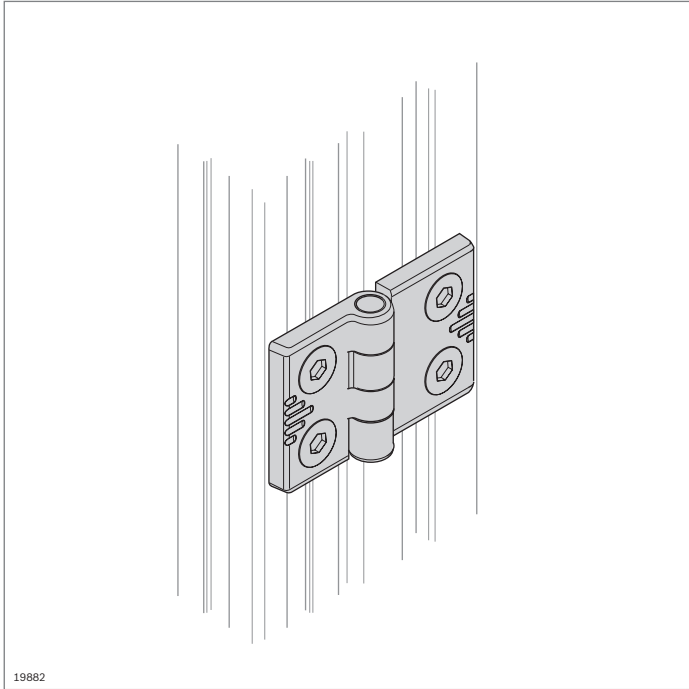
- ▶ Plastic hinge for profiles with 8 mm or 10 mm slot
- ▶ Assembly possible on solid surface elements
- ▶ Centering bolts for easy assembly and as a anti-torsion element



Hinge, plastic	P1 (mm)	P2 (mm)	No.	FS
	30	30	2 3 842 544 500	2xFS1 
	30	40/50	2 3 842 544 501	1xFS1, 1xFS2
	30	45	2 3 842 544 502	1xFS1,  1xFS2
	30	60	2 3 842 544 503	1xFS1, 1xFS2
	40/50	40/50	2 3 842 544 504	2xFS2 
	45	45	2 3 842 544 505	2xFS2 
	45	60	2 3 842 544 506	2xFS2
	60	60	2 3 842 544 507	2xFS2

Material: PA; black
 Hinge axle: steel; galvanized
 Fastening material: steel; galvanized

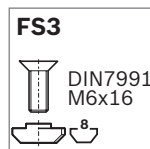
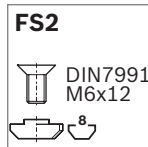
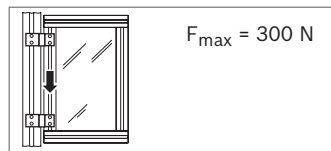
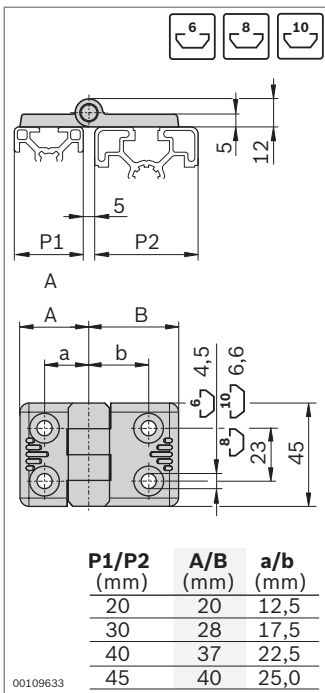
Scope of delivery: Incl. fastening material (FS)



Hinge, aluminum



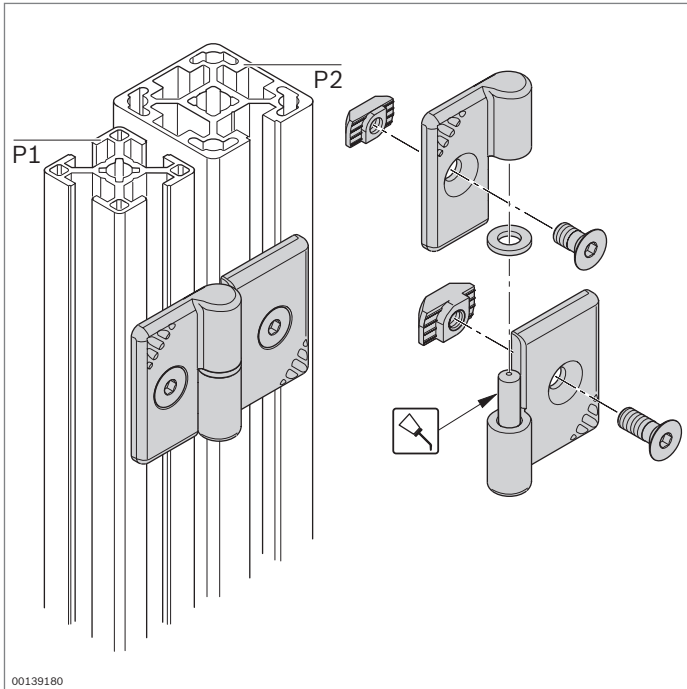
- ▶ Aluminum hinge for all slot systems
- ▶ Assembly possible on solid surface elements
- ▶ High-quality version
- ▶ Conductive version
- ▶ Suitable for use under cleanroom conditions thanks to wear-resistant guide bushings



Hinge, aluminum	P1 (mm)	P2 (mm)	ESD	No.	FS
	20	20		2 3 842 544 525	4xFS1
	20	30		2 3 842 544 526	2xFS1, 2xFS2
	30	30		2 3 842 544 527	4xFS2
	30	40		2 3 842 544 528	2xFS2, 2xFS3
	30	45		2 3 842 544 529	2xFS2, 2xFS3
	40	40		2 3 842 544 530	4xFS3
	45	45		2 3 842 544 531	4xFS3

Material: Diecast aluminum; nickel-plated
 Fastening material: steel; galvanized
 Scope of delivery: Incl. fastening material (FS)



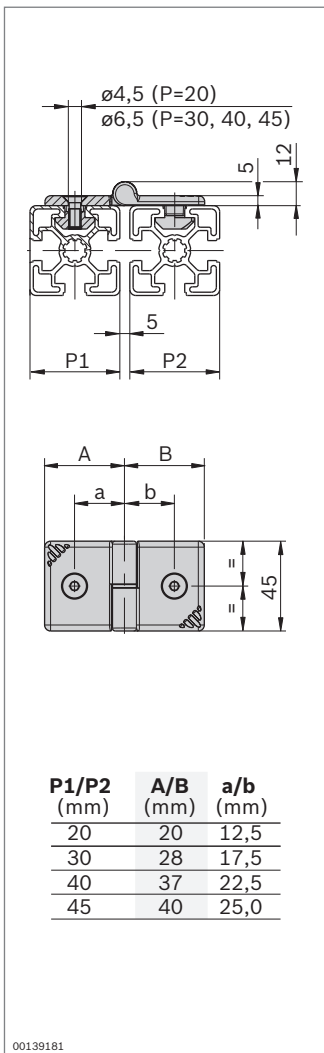


00139180

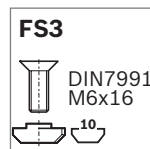
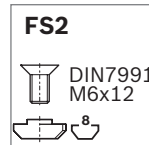
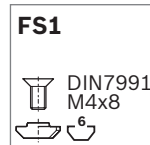
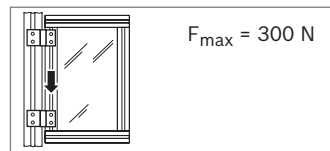
LIFTOFF hinge



- ▶ Removable compact hinge, opening to the right or left
- ▶ *designLINE* version with special silver paint (RAL 9006) for an attractive, high-quality design
- ▶ Centering lugs as an assembly aid and twist lock



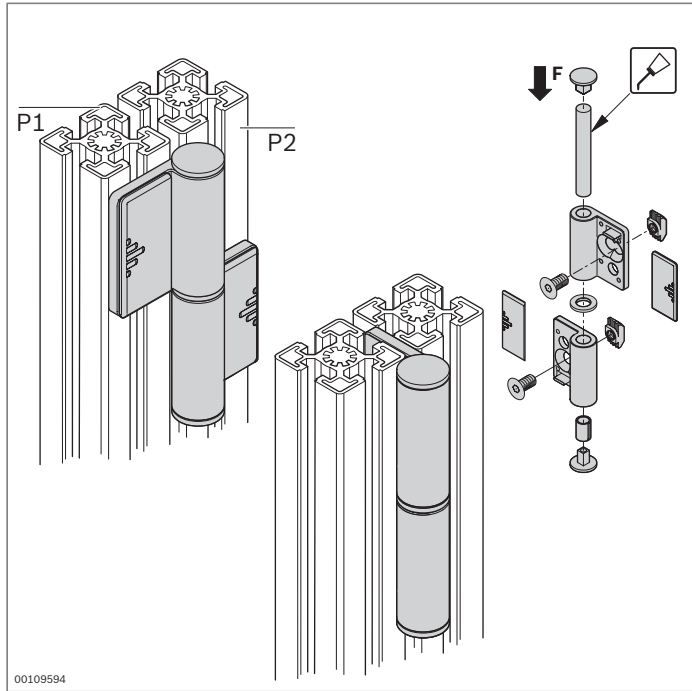
00139181



LIFTOFF hinge	P1 (mm)	P2 (mm)	No.	FS
right	20	20	2	3 842 543 334 2xFS1, FS4
	20	30	2	3 842 543 333 FS1, FS2, FS4
	30	30	2	3 842 543 332 2xFS2, FS4
	30	40	2	3 842 543 331 FS2, FS3, FS4
	30	45	2	3 842 543 330 FS2, FS3, FS4
	40	40	2	3 842 543 329 2xFS3, FS4
	45	45	2	3 842 543 328 2xFS3, FS4
left	20	20	2	3 842 543 327 2xFS1, FS4
	20	30	2	3 842 543 326 FS1, FS2, FS4
	30	30	2	3 842 543 325 2xFS2, FS4
	30	40	2	3 842 543 324 FS2, FS3, FS4
	30	45	2	3 842 543 323 FS2, FS3, FS4
	40	40	2	3 842 543 322 2xFS3, FS4
	45	45	2	3 842 543 321 2xFS3, FS4

Material: Hinge: diecast aluminum, painted
 Fastening material: steel; galvanized
 Grooved pin: steel; galvanized
 Washer: PA

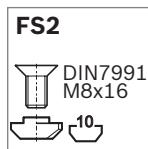
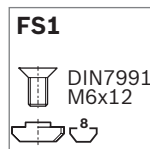
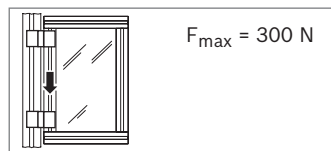
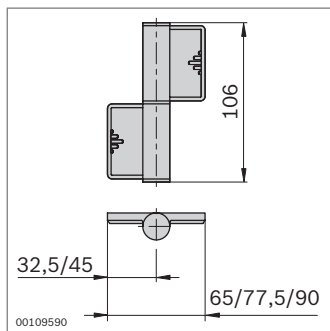
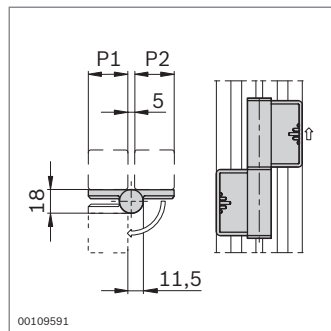
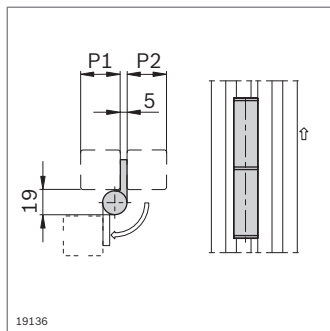
Scope of delivery: Incl. fastening material (FS)





Hinge, removable



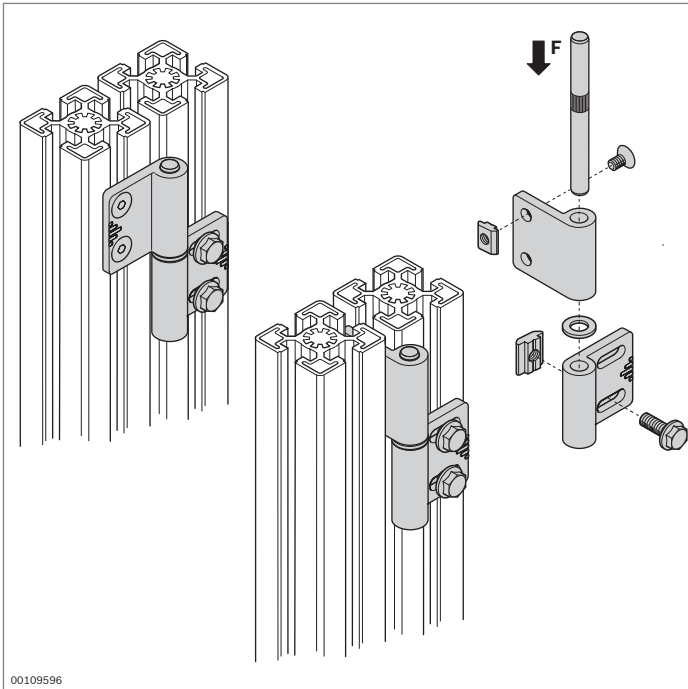
- ▶ For constructing large, heavy doors
- ▶ Removable
- ▶ For left and right stop
- ▶ Externally mounted: Opening angle approx. 180°
- ▶ Internally mounted: prevents removal by unauthorized persons, e.g. on protective barriers



Hinge, removable	P1 (mm)	P2 (mm)	No.	FS
	30	30	2	3 842 544 552 2xFS1
	30	45	2	3 842 544 553 1xFS1, 1xFS2
	30 ¹⁾	60		
	45	45	2	3 842 544 554 2xFS2 
	45 ¹⁾	60		
	60 ¹⁾	60		

¹⁾ Not suitable for installing on inner side

Material: Hinge: diecast zinc
 Cap: PA; black
 Fastening material: steel; galvanized
 Scope of delivery: Incl. fastening material (FS), 2 x cap

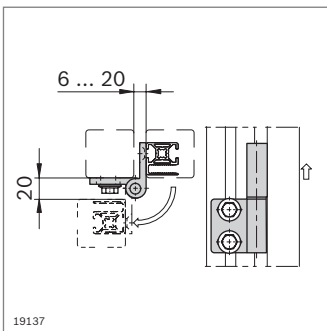


00109596

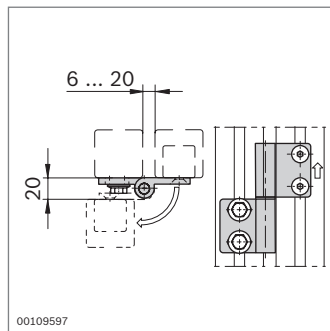
Hinge, adjustable



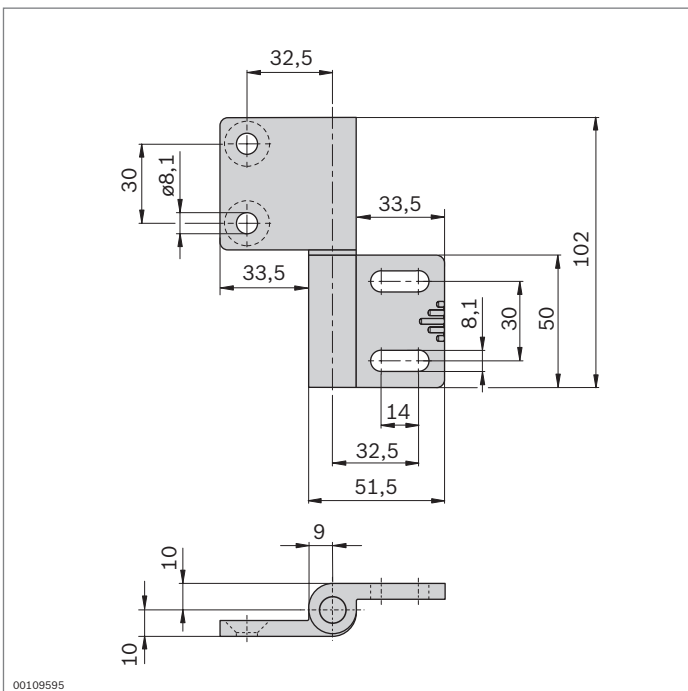
- ▶ For constructing large, heavy doors
- ▶ Adjustable for compensating clearance tolerances
- ▶ Removable
- ▶ For left and right stop
- ▶ Opening angle approx. 180°




19137



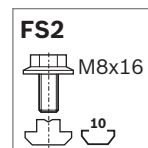
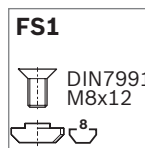
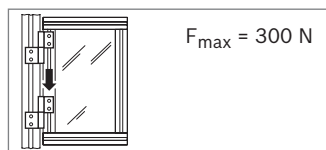
00109597

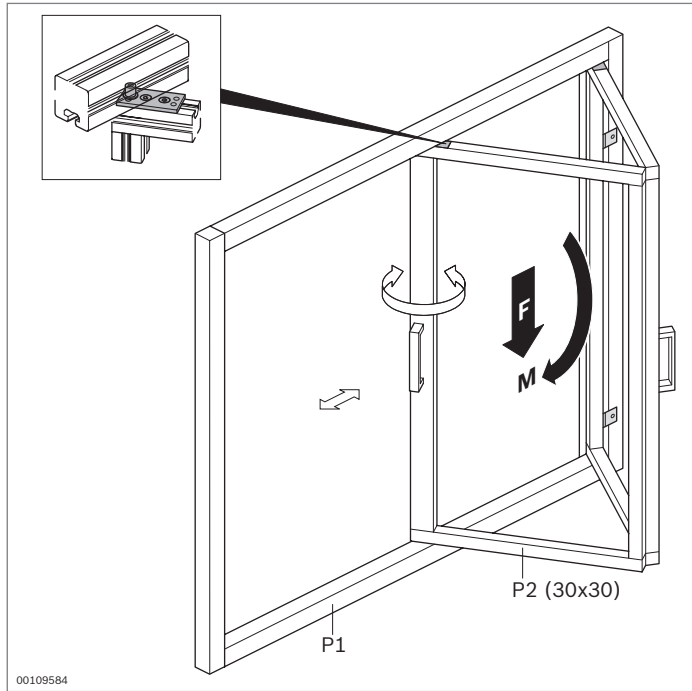


00109595

Hinge, adjustable	No.	FS
	2 3 842 544 562	2xFS1, 2xFS2

Material: Diecast aluminum
 Fastening material: steel; galvanized
 Scope of delivery: Incl. fastening material (FS)

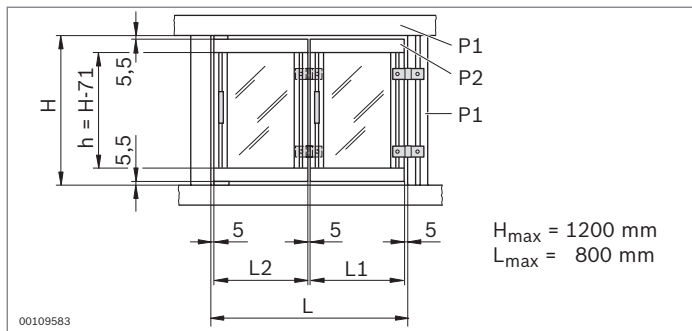




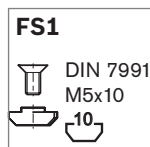
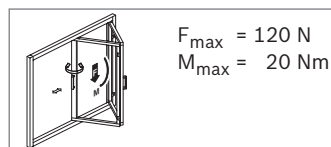
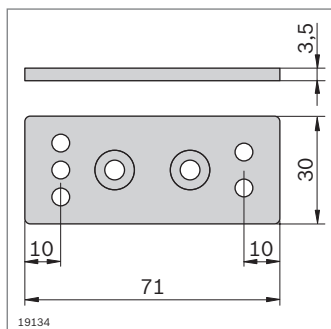
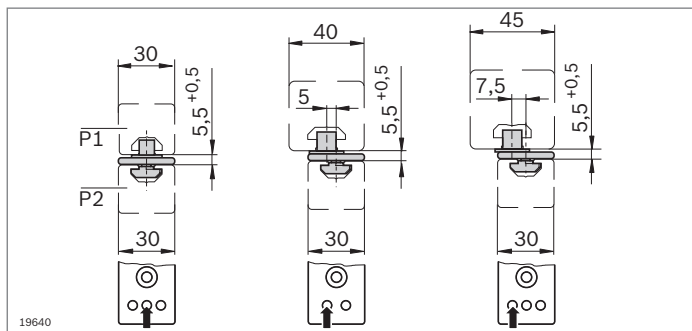
Folding door element



- ▶ For a simultaneous swinging and sliding action on folding doors made of 30 mm profiles
- ▶ Extremely long service life (approx. 50,000 actuations)
- ▶ Suitable for frames made of profiles with 8 mm and 10 mm slot
- ▶ The frame and door profile are always flush (the guide ring position depends on the thickness of the frame profile)



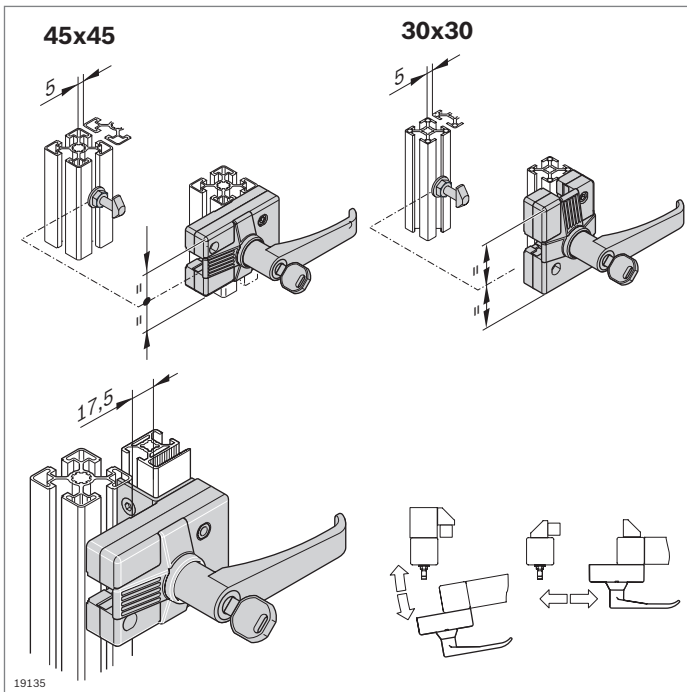
P2 (mm)	P1 (mm)	L1 (mm)	L2 (mm)
30X30	45x45	0.5L - 29.5	0.5L + 14.5
	40x40	0.5L - 28.3	0.5L + 13.3
	30x30	0.5L - 25.8	0.5L + 10.8



Folding door element	No.	FS
	3 842 516 715	2xFS1

Material: Folding door element: diecast zinc
Guide ring: PA; black
Fastening material: steel; galvanized

Scope of delivery: Incl. fastening material (FS)

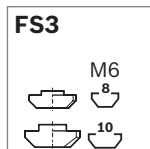
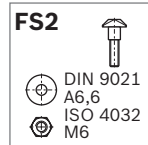
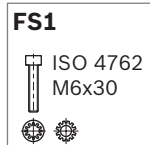
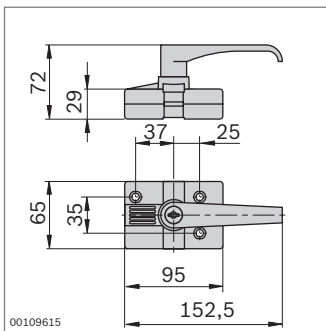


Lock for swing and sliding doors



- ▶ Opening to the right and left
- ▶ Suitable for profiles 45x45 and 30x30
- ▶ “Standard locking” variant with random key selection (each lock has a different key)
- ▶ “Uniform locking” always uses the same key
- ▶ Version with door handle or as two-way lock

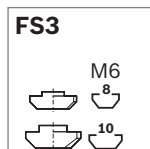
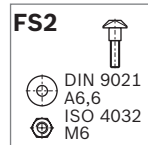
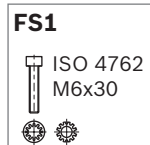
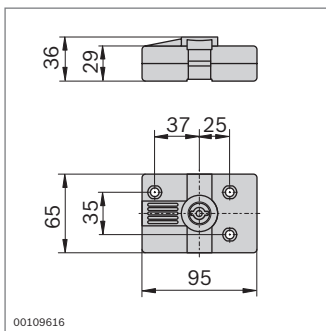
Accessories:
Adapter plate



Door lock	No.	FS
Standard locking	30x30, 45x45	3 842 525 821 2xFS1, 1xFS2, 3xFS3
Uniform locking	30x30, 45x45	3 842 525 822 2xFS1, 1xFS2, 3xFS3

Material: Housing: die-cast aluminum
Door handle: PA, black
Fastening material: steel; galvanized

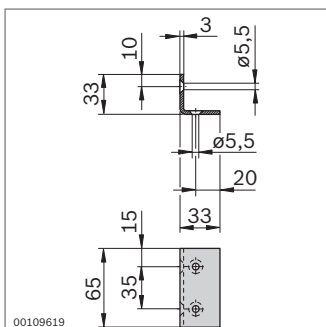
Scope of delivery: Incl. 3 keys,
Fastening material (FS)



Door lock	No.	FS
	30x30, 45x45	3 842 525 823 2xFS1, FS2, 3xFS3

Material: Diecast aluminum
Fastening material: steel; galvanized

Scope of delivery: Incl. 1 x two-way key, fastening material (FS)

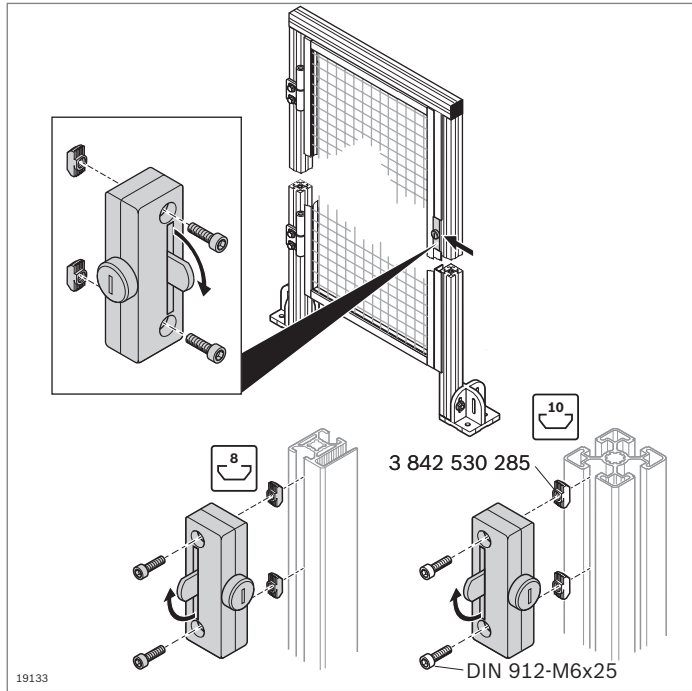


- ▶ Adapter plate for mounting the door lock on an EcoSafe protective frame (p. 10-6)

Adapter plate	No.	FS
	3 842 523 243	2xFS4, 2xFS5

Material: Steel, galvanized
Fastening material: steel; galvanized

Scope of delivery: Incl. fastening material (FS)



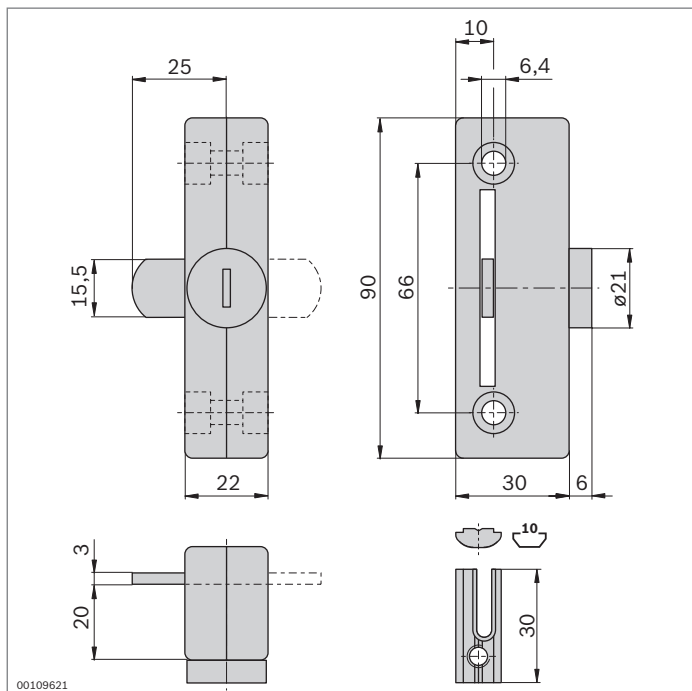
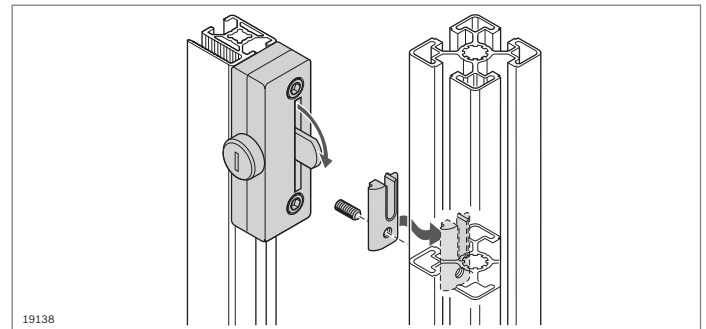
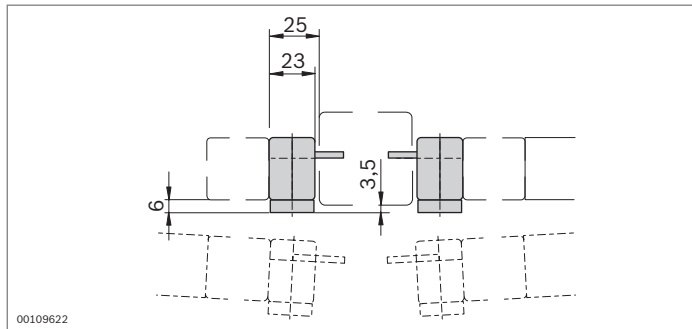
Door lock



- ▶ For doors which open to the right or left
- ▶ For frame profile 30x30 WG (EcoSafe protective fence system); incl. fastening material
- ▶ “Standard locking” variant with random key selection (each lock has a different key)
- ▶ “Uniform locking” variant always has the same key

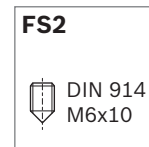
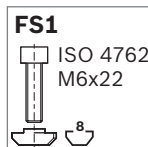
Accessories for mounting on profile with 10 mm slot:

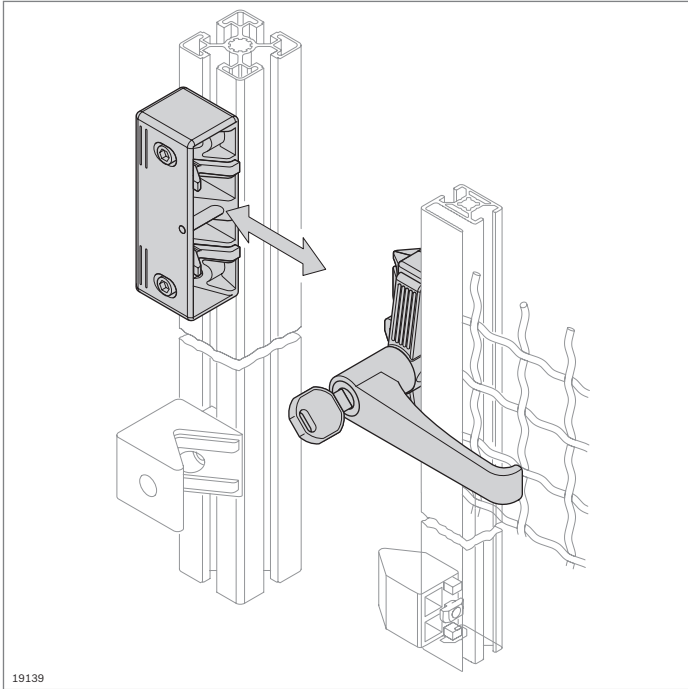
- ▶ 2 x T-nut M6, **3 842 530 285** (p. 3-5)
- ▶ 2 x screw DIN 912-M6x25



Door lock	No.	FS
Standard locking	3 842 522 479	2xFS1, 1xFS2
Uniform locking	3 842 523 320	2xFS1, 1xFS2

Material: Diecast zinc
Fastening material: steel; galvanized
Scope of delivery: Incl. 3 keys,
Fastening material (FS)





19139

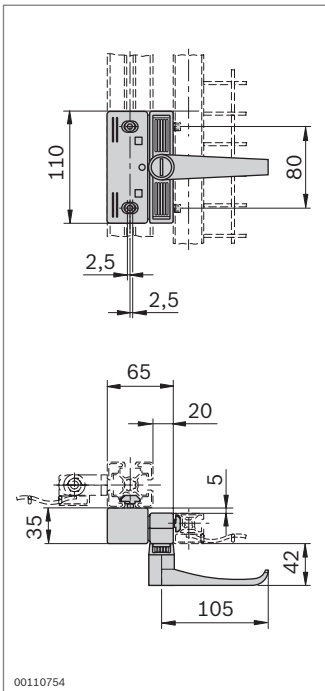
Door lock for EcoSafe sliding doors



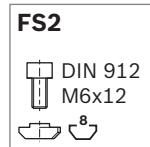
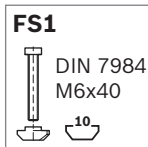
- ▶ For doors which open to the right or left
- ▶ “Standard locking” variant with random key selection (each lock has a different key)
- ▶ “Uniform locking” variant always has the same key

Accessories, optional:

Stop kit for cushioned closing of the doors (p. 12-5)



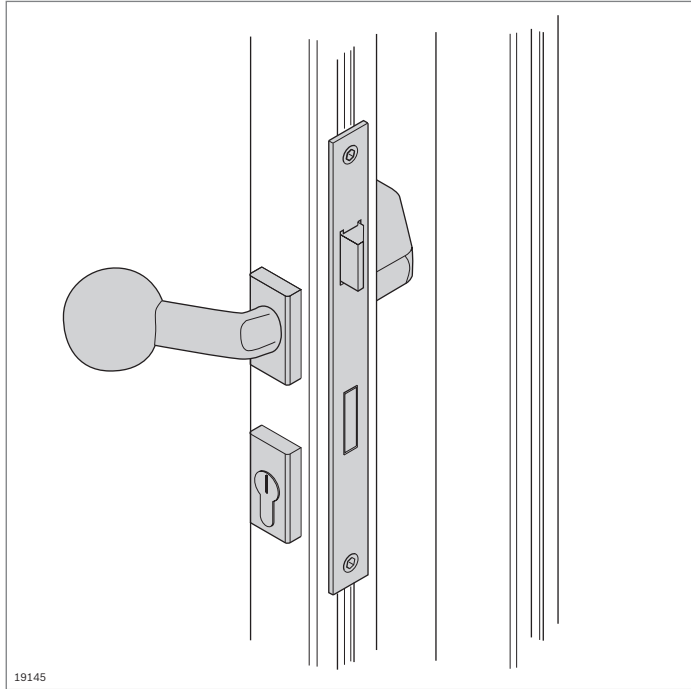
00110754



Door lock for sliding doors	No.	FS
Standard locking	3 842 525 946	2xFS1, 2xFS2
Uniform locking	3 842 525 947	2xFS1, 2xFS2

Material: Housing: die-cast aluminum
 Door handle: PA, black
 Fastening material: steel; galvanized

Scope of delivery: Incl. 3 keys,
 Fastening material (FS)

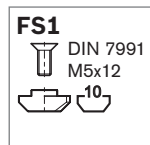
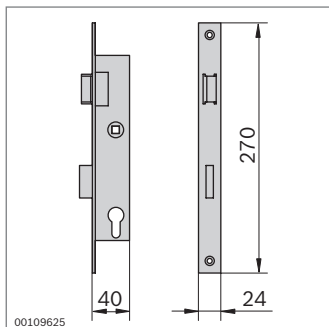
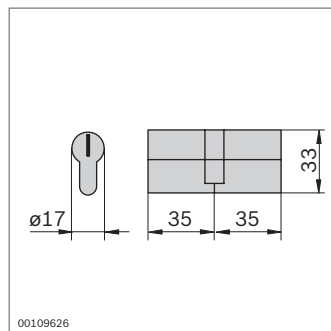
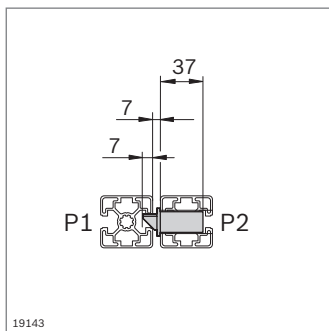
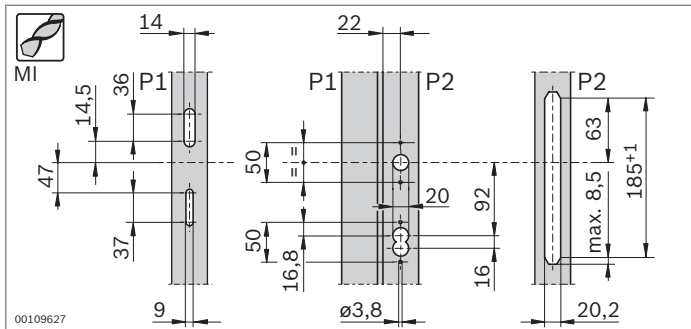


Mortise lock Door handle



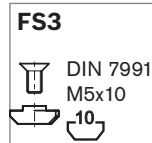
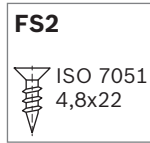
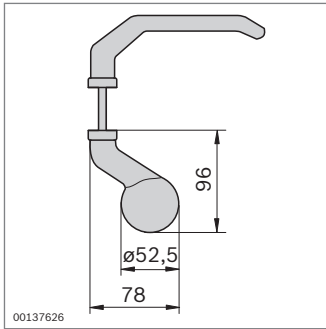
- ▶ For installation in profile size 45x45 or larger
- ▶ Robust, heavy-duty design
- ▶ Suitable for installing a standard lock cylinder
- ▶ Door handle in the variants handle/handle and handle/knob
- ▶ Profile machining: milling

Accessories:
standard lock cylinder



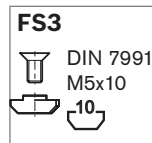
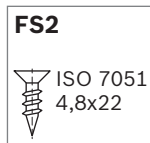
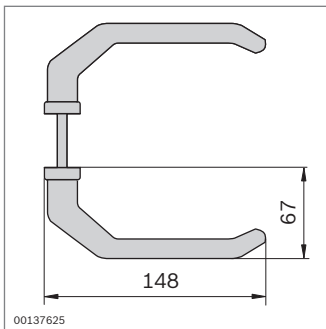
Mortise lock	No.	FS
	3 842 538 241	2xFS1

Material: Steel; galvanized
Scope of delivery: Incl. fastening material (FS)



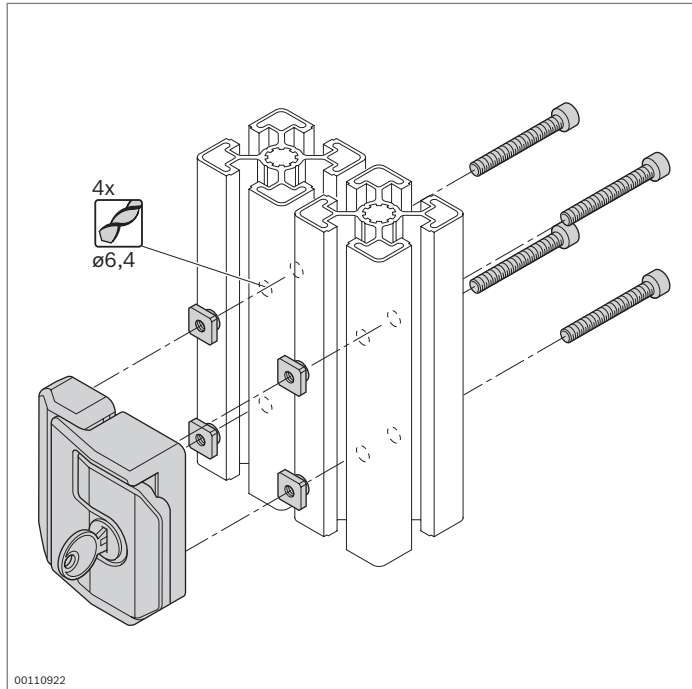
Door handle / door knob	No.	FS
	3 842 542 684	8xFS2, 8xFS3

Material: Light metal
Fastening material: steel; galvanized
Scope of delivery: Incl. rosette, fastening material (FS)

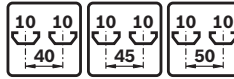


Handle / handle	No.	FS
	3 842 542 683	8xFS2, 8xFS3

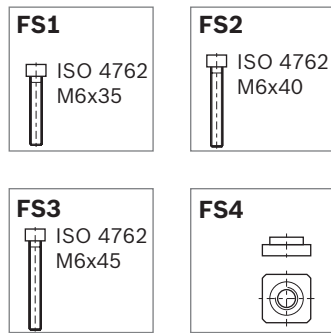
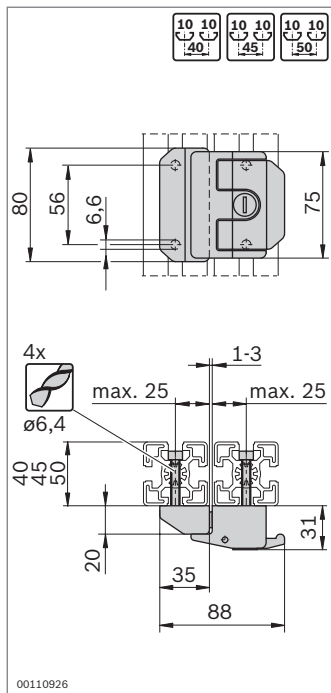
Material: Light metal
Fastening material: steel; galvanized
Scope of delivery: Incl. rosette, fastening material (FS)



Door lock for swing doors

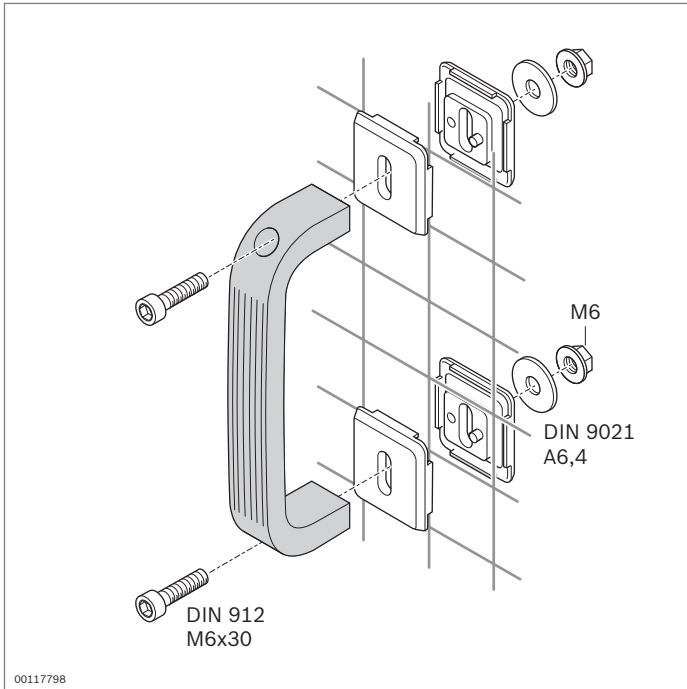


- ▶ For doors which open to the right or left
- ▶ Self-locking in the closed position
- ▶ Smooth closing
- ▶ Ergonomically designed folding handle for opening
- ▶ “Standard locking” variant with random key selection (each lock has a different key)
- ▶ “Uniform locking” variant always has the same key
- ▶ Profile machining: drilling of hole D6.4



Door lock	No.	FS
Standard locking	3 842 530 353	4xFS1, 4xFS2, 4xFS3, 4xFS4
Uniform locking	3 842 530 352	4xFS1, 4xFS2, 4xFS3, 4xFS4

Material: diecast zinc; black powder-coated
 Fastening material: steel; galvanized
 Scope of delivery: Incl. 2 keys,
 Fastening material (FS)



Bow-type handle

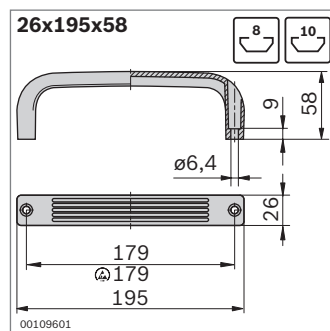
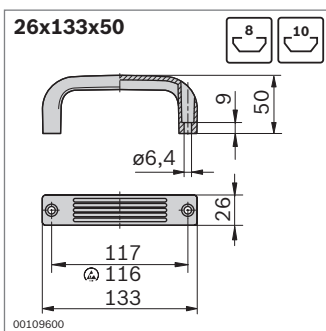
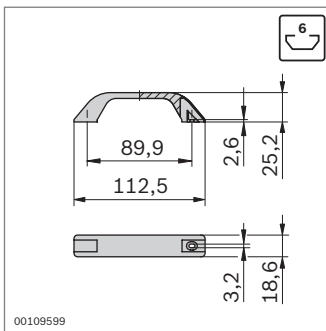


Bow-type handle

- ▶ Robust construction equipped to withstand strong forces
- ▶ Fastening in the profile slot or on a woven wire grille with the clamping element
- ▶ Suitable for use in ESD-protected environments

Accessories, optional:

- ▶ clamping element for mounting on woven wire grille (p. 10-19)
- ▶ T-nut (p. 3-4)

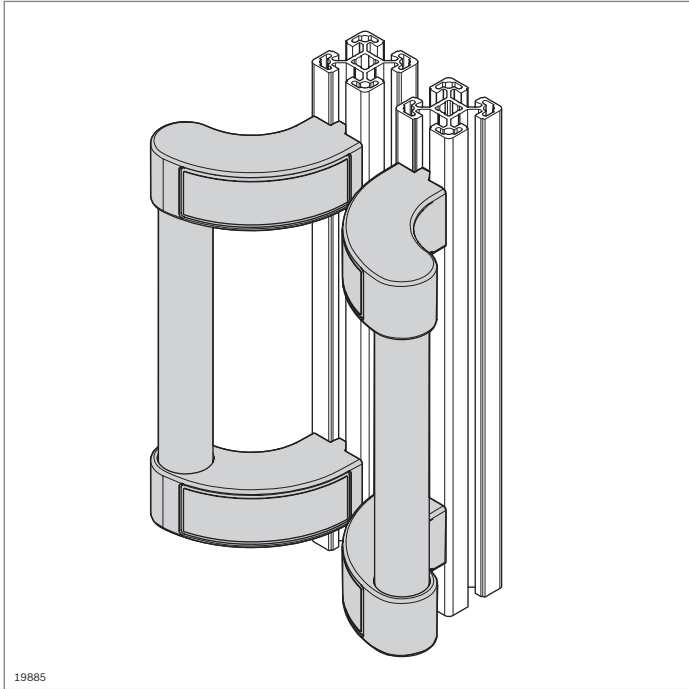


Bow-type handle	ESD	No.
	10	3 842 518 738

Material: PE; black

Bow-type handle	ESD	No.
26x133x50	10	3 842 525 480
		10 3 842 525 481
26x195x58	10	3 842 525 766
		10 3 842 525 767

Material: PA; black

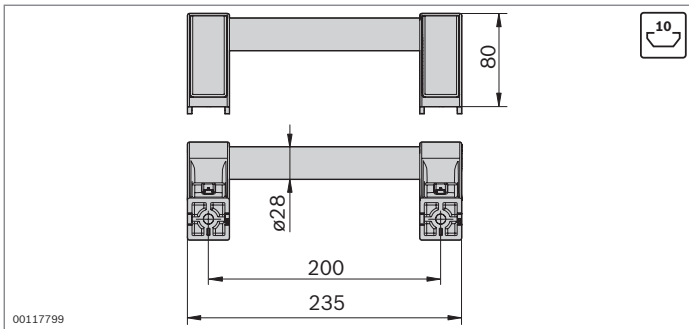


19885

Safety handle



- ▶ Prevents injuries caused by catching of body parts when closing sliding doors
- ▶ Suitable for sliding or swing doors
- ▶ The length of the handle can be varied by changing the tube D28

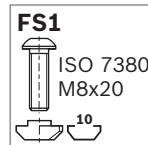


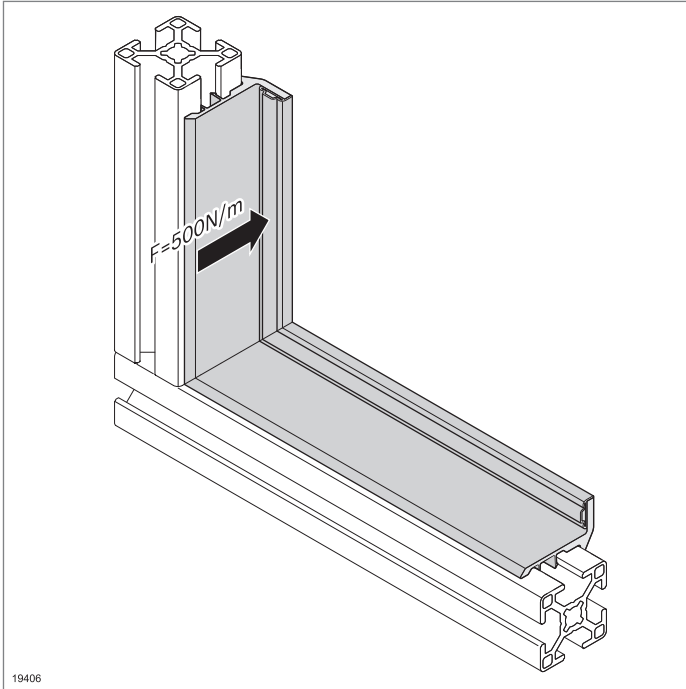
00117799

Safety handle	No.	FS
	3 842 536 556	2xFS1

Material: Round tube D28: Aluminum, anodized
Holder: PA; black

Scope of delivery: Incl. fastening material (FS)

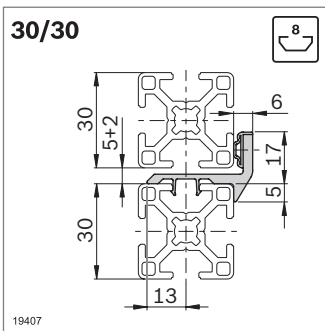




Sealing strip

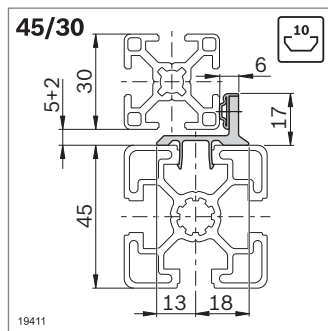
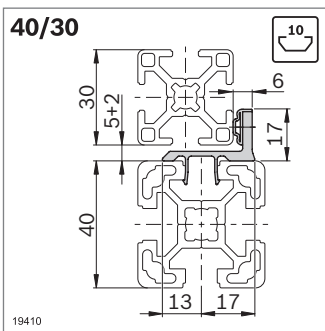


- ▶ For sealing doors (width > 500 mm) with an elastic lip seal
- ▶ Can be clipped into the slot
- ▶ Non-transparent elastic lip seal covers the door gap
- ▶ Stop for swing doors (impact force: 500 N/m)
- ▶ For flush-closing doors



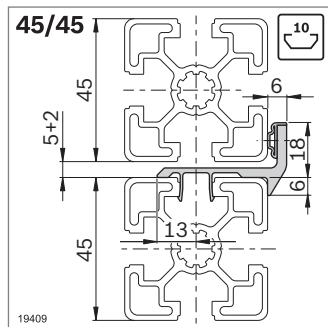
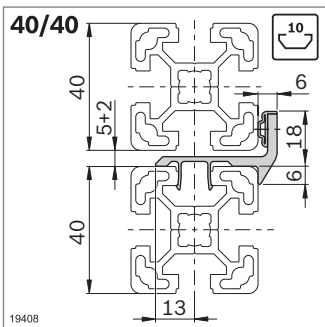
Sealing strip	L (mm)		No.
30/30	3000	10	3 842 543 412

Material: PVC/TPE, light gray RAL 7035



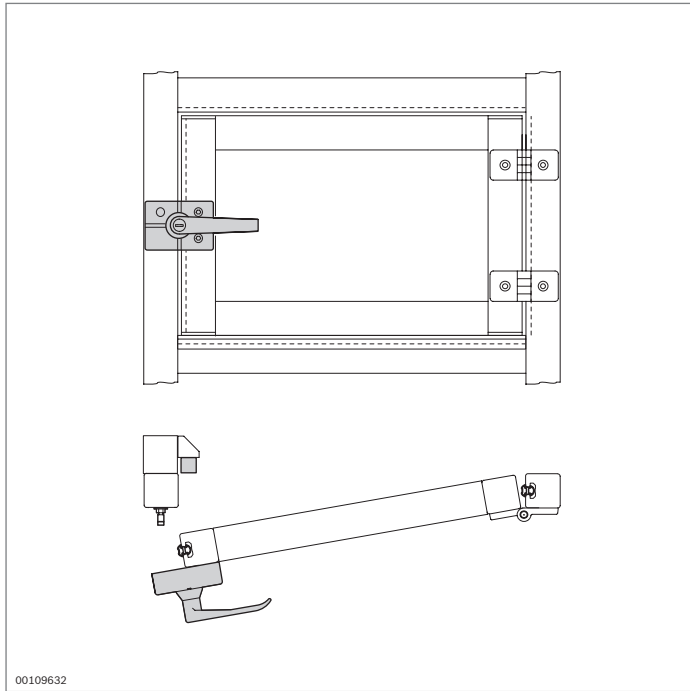
Sealing strip	L (mm)		No.
40/30	3000	10	3 842 543 411
45/30	3000	10	3 842 543 410

Material: PVC/TPE, light gray RAL 7035



Sealing strip	L (mm)		No.
40/40	3000	10	3 842 543 409
45/45	3000	10	3 842 543 408

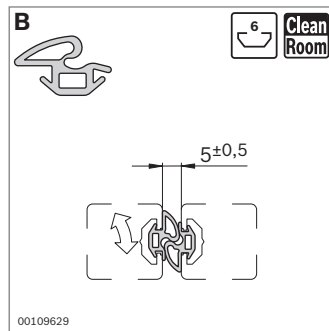
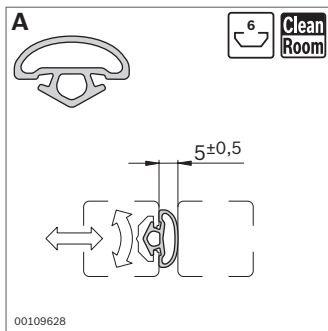
Material: PVC/TPE, light gray RAL 7035



Sealing profile



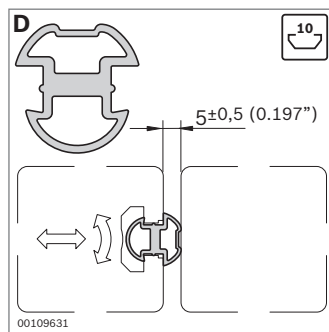
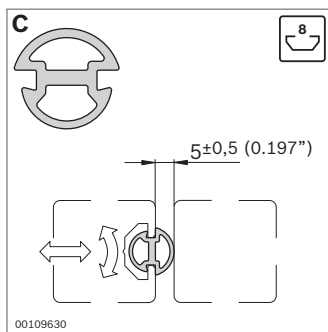
- ▶ For sliding and swing doors
- ▶ Prevents particles from entering or escaping



- ▶ Suitable for use in cleanroom environments
- ▶ Two-piece seal (B) also performs a stop function.

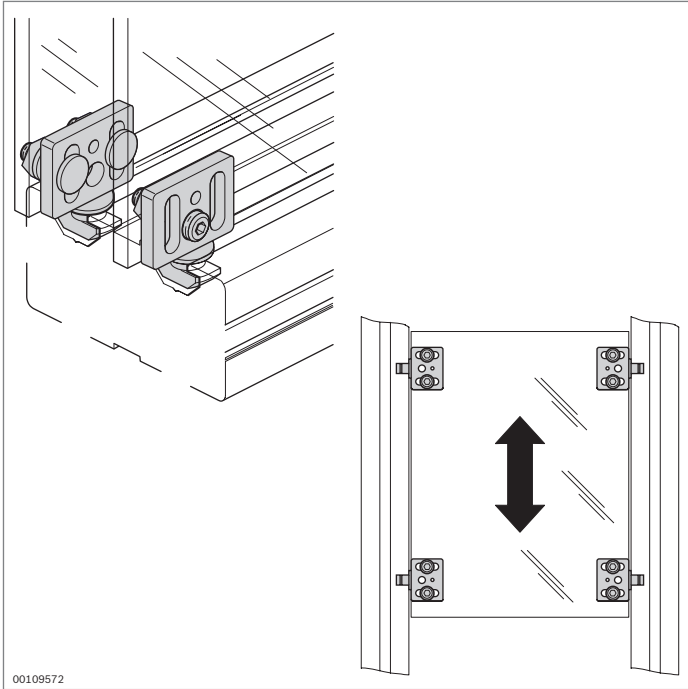
Sealing profile	Slot	L (mm)	No.
A	6	10000	3 842 524 623
B	6	10000	3 842 524 622

Material: TPE; light gray RAL 7035, hardness: 64° ± 5 shore A



Sealing profile	Slot	L (mm)	No.
C	8	10000	3 842 516 598
D	10	10000	3 842 518 492

Material: NBR; black, hardness 60° shore A

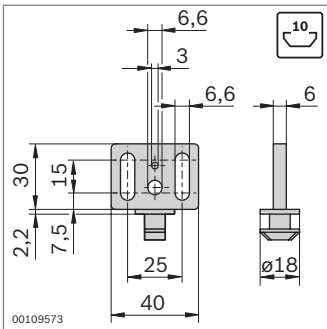


00109572

Slider

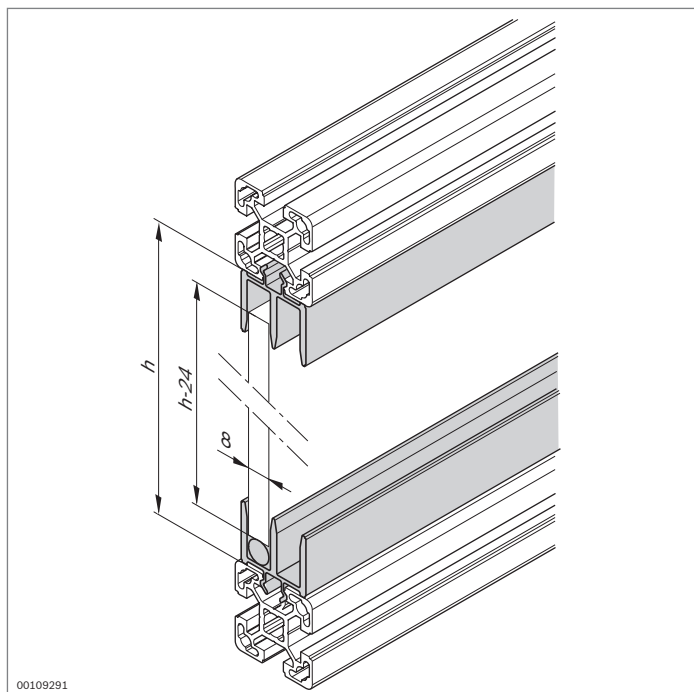


- ▶ For constructing inexpensive sliding and lifting doors
- ▶ Good functional reliability



00109573

Slider	No.
Material: POM; black	10 3 842 530 303



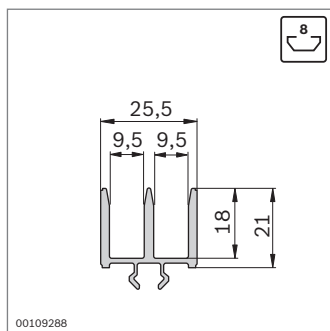
Sliding door profile PVC



- ▶ Can be clipped into the supporting frame made of strut profiles
- ▶ Round rod to minimize the displacement force required
- ▶ For surface elements of a thickness of 8 mm
- ▶ Insertion of the surface element into closed frame

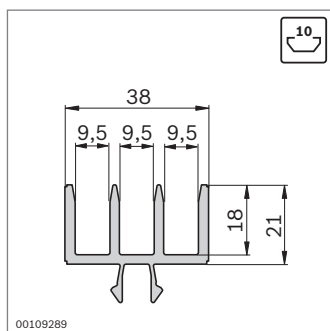
Accessories, optional:

- ▶ Edge protector (p. 8-26)
- ▶ Door handle profile (p. 8-26)
- ▶ Bow-type handle (p. 8-17)



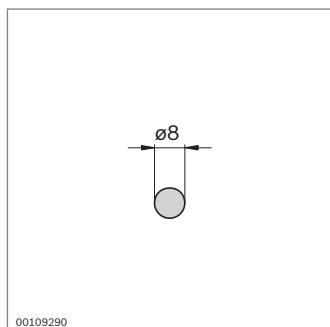
Sliding door profile PVC	Slot	L (mm)		No.
	8	2000	10	3 842 526 588

Material: PVC; black



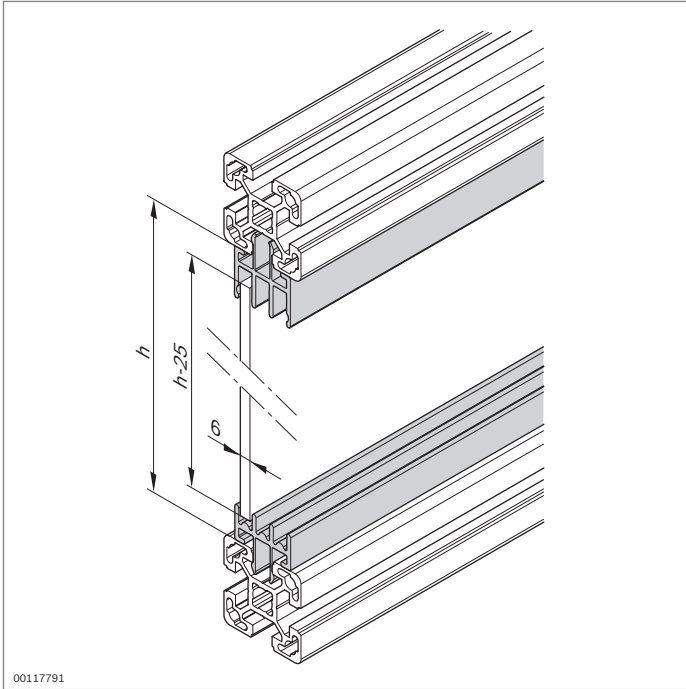
Sliding door profile PVC	Slot	L (mm)		No.
	10	2000	10	3 842 526 591

Material: PVC; black



Round rod	L (mm)		No.
	2000	10	3 842 516 694

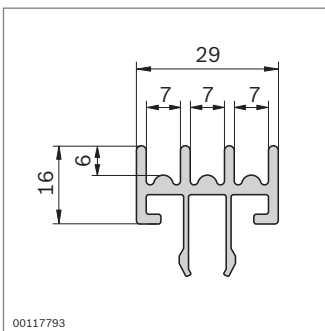
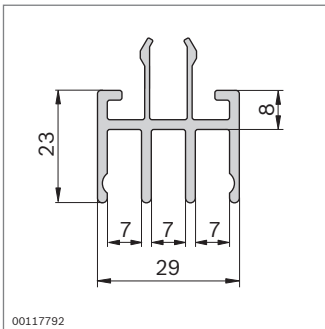
Material: PE; black



Sliding door profile Al Clip



- ▶ Can be clipped into the supporting frame made of strut profiles
- ▶ Sliding door profile, bottom, with half-round floor contour to minimize the displacement force required
- ▶ For surface elements with a thickness of 5 or 6 mm
- ▶ Insertion of the surface element into closed frame

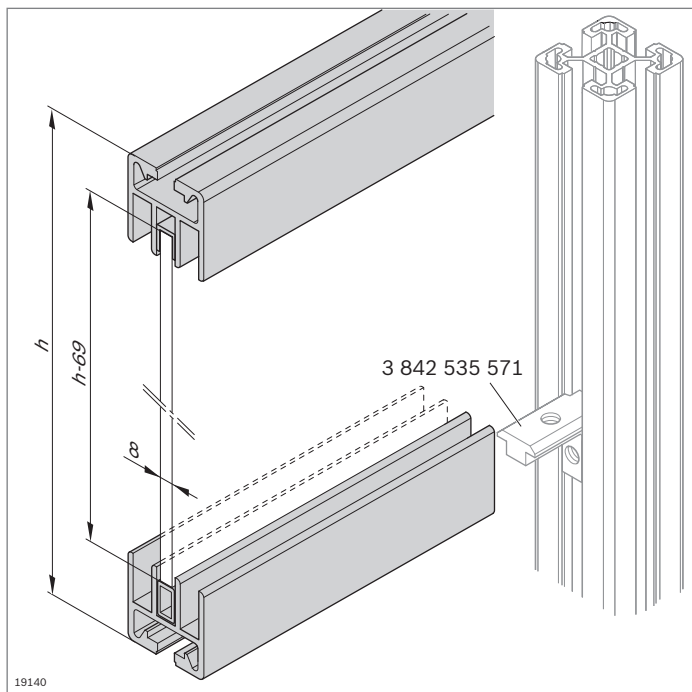


Sliding door profile, top		L (mm)	No.
1 pc		40 ... 3000	3 842 993 425 / L
10 pcs		3000	3 842 536 531

Material: Aluminum, anodized

Sliding door profile, bottom		L (mm)	No.
1 pc		40 ... 3000	3 842 993 426 / L
10 pcs		3000	3 842 536 532

Material: Aluminum, anodized



19140

Sliding door profile AI 45 Cap, end piece

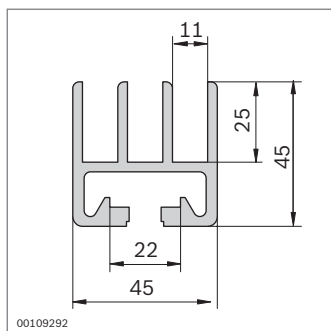


Sliding door profile AI 45

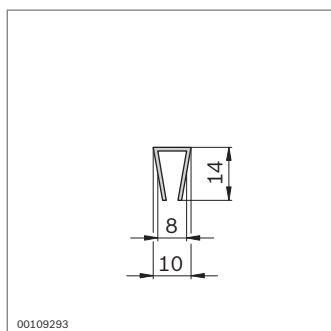
- ▶ Aluminum profile as a supporting construction element
- ▶ Installation using inner brackets between two vertical struts
- ▶ Slide profile to edge the upper part of the sliding door
- ▶ Insertion profile acts as a slide surface
- ▶ For surface elements of a thickness of 8 mm
- ▶ Insertion of the surface element into closed frame

Accessories:

- ▶ cap (p. 8-25)
- ▶ end piece (p. 8-25)
- ▶ inner bracket (p. 3-15), inner bracket R (p. 3-16)



00109292



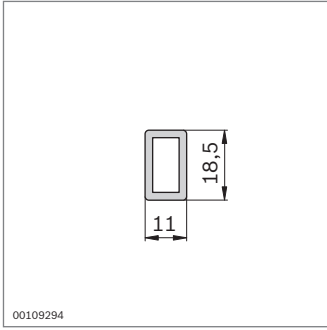
00109293

Sliding door profile	L (mm)	No.
1 pc	100 ... 5600	3 842 990 115 / L
1 pc F1 F1	100 ... 5600	3 842 990 116 / L
20 pcs	5600	3 842 509 177
1 pc	5600	3 842 509 207

Material: Aluminum, anodized

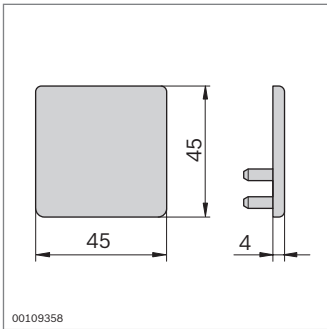
Slide profile	L (mm)		No.
	3000	10	3 842 146 905

Material: Hard PVC, black



Insertion profile	L (mm)		No.
	3000	10	3 842 146 902

Material: PA; black

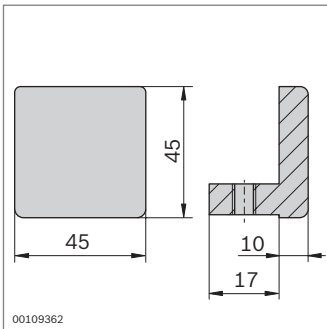


Cover cap

- ▶ As a design element and to prevent injuries

Cover cap	ESD		No.
		20	3 842 242 404

Material: PA, conductive, black



FS1



DIN 916
M8x16

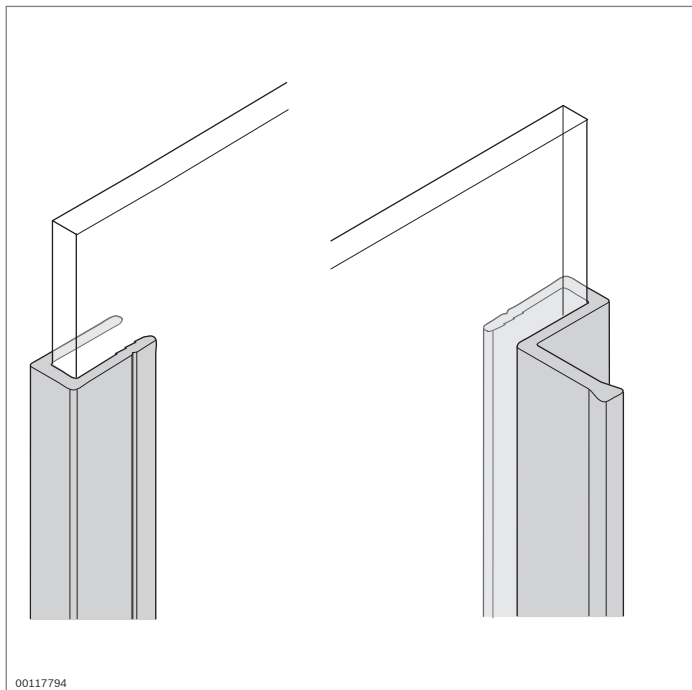
End piece

- ▶ For use as a stop for sliding elements
- ▶ Clamping with setscrew in the profile slot

End piece	ESD		No.	FS
		20	3 842 191 194	FS1

Material: Die-cast aluminum

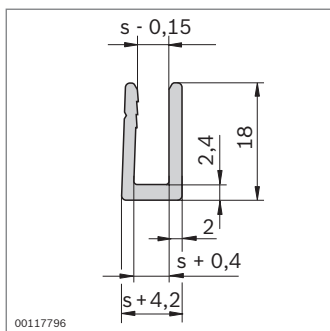
Scope of delivery: Incl. fastening material (FS)



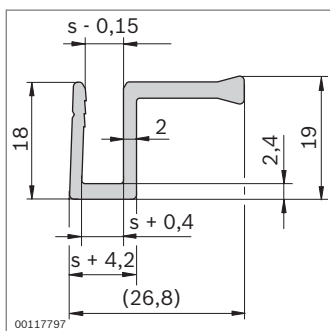
00117794

Edge protector Door handle profile

- ▶ For reinforcing frameless surface elements on sliding doors
- ▶ Profile for $s = 6$ mm can also be used for 1/4 inch plates



00117796



00117797

Edge protector	s (mm)	L (mm)	No.
1 pc	5	40 ... 3000	3 842 993 429 / L
10 pcs	5	3000	3 842 536 537
1 pc	6	40 ... 3000	3 842 993 430 / L
10 pcs	6	3000	3 842 536 540
1 pc	6	3000	3 842 536 541

Material: Aluminum, anodized

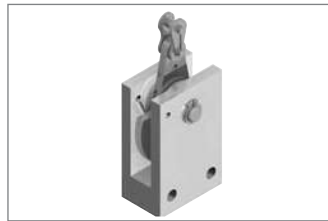
Door handle profile	s (mm)	L (mm)	No.
1 pc	5	40 ... 3000	3 842 993 427 / L
10 pcs	5	3000	3 842 536 533
1 pc	6	40 ... 3000	3 842 993 428 / L
10 pcs	6	3000	3 842 536 536

Material: Aluminum, anodized

Accessories for protective devices



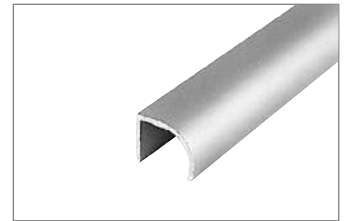
Counterbalance (p. 9-2)



Safety catch (p. 9-4)



Bump stop (p. 9-5)



Handle bar (p. 9-5)



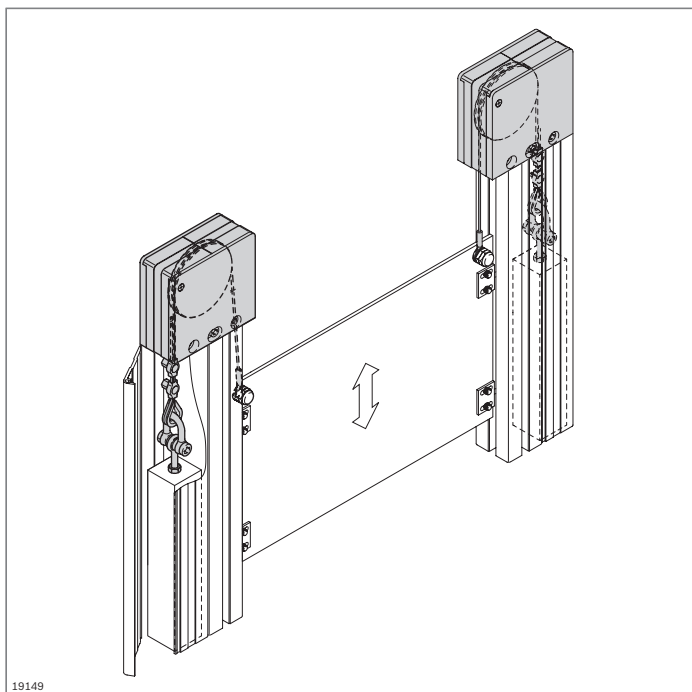
Magnet catch (p. 9-6)



Double ball stop latch (p. 9-7)



Ball catch (p. 9-8)

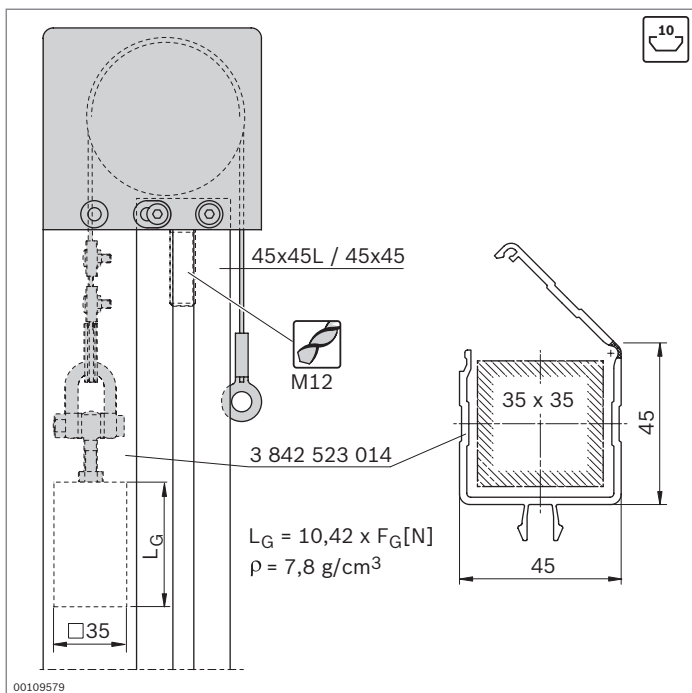


Counterbalance



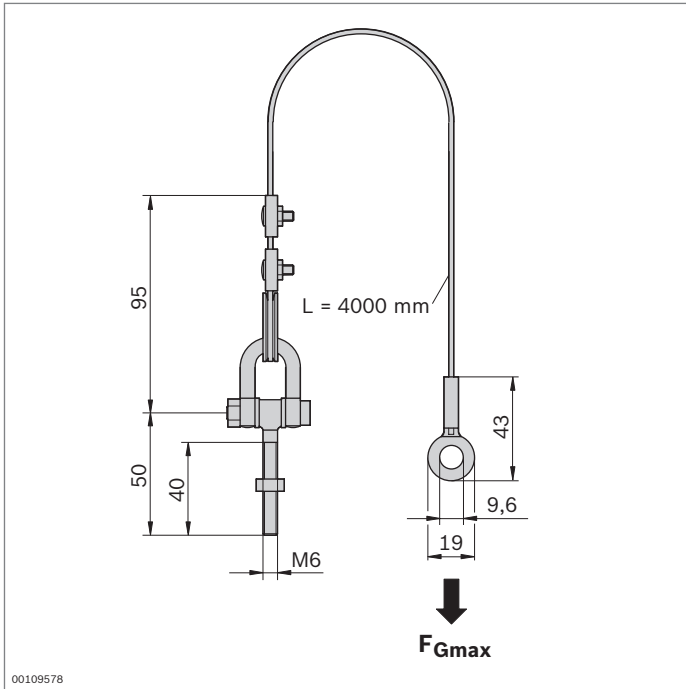
- ▶ For lifting doors comprising a deflection pulley and control cable
- ▶ Counterweight individually adjustable and preferably guided in a cable duct
- ▶ Length of cable can be adjusted
- ▶ Service life: 50,000 actuations
- ▶ Profile machining:
 - M12 for fastening the deflection pulley
- ▶ Fit lifting doors with a back-up fall arrestor in accordance with the Machinery Directive 2006/42/EC

Accessories, required:
counterbalance weight (square profile 35x35 mm)



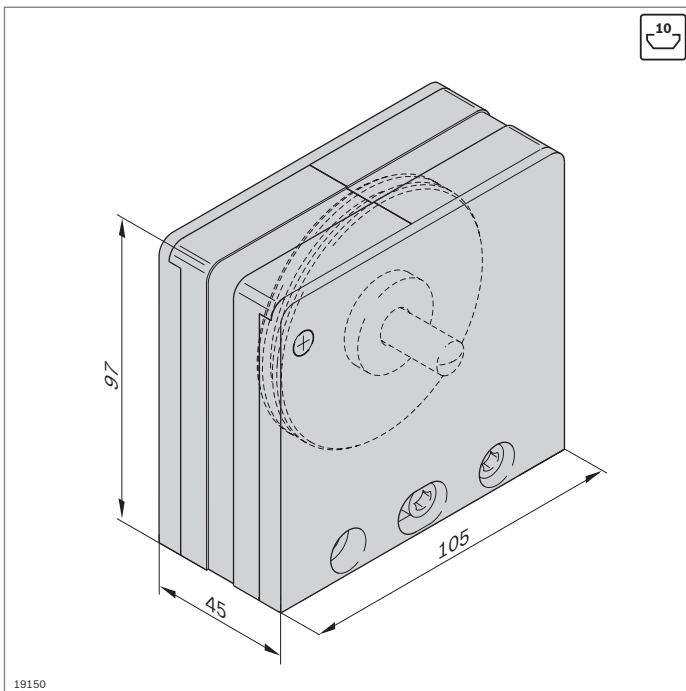
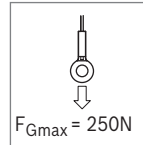
Accessories, optional:

- ▶ Cable duct 45x45 (p. 11-2)
- ▶ Slider (p. 12-3/8-21)
- ▶ Safety catch (p. 9-4)



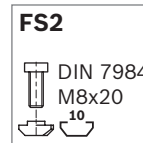
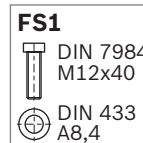
Counterbalance control cable	No.
	3 842 518 798

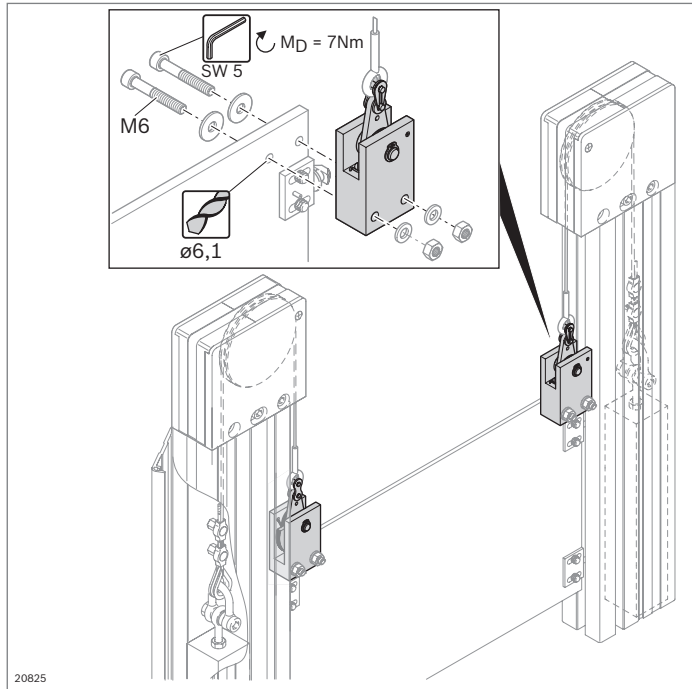
Material: Steel; stainless



Counterbalance deflection pulley	No.	FS
	3 842 518 797	FS1, FS2

Material: Housing: PA; black
Fastening material: steel; galvanized
Scope of delivery: Incl. fastening material (FS)





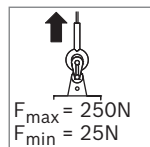
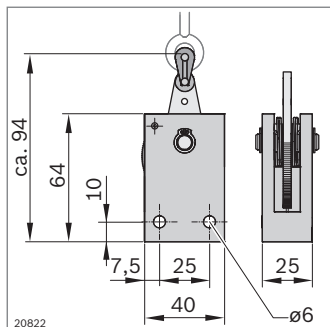
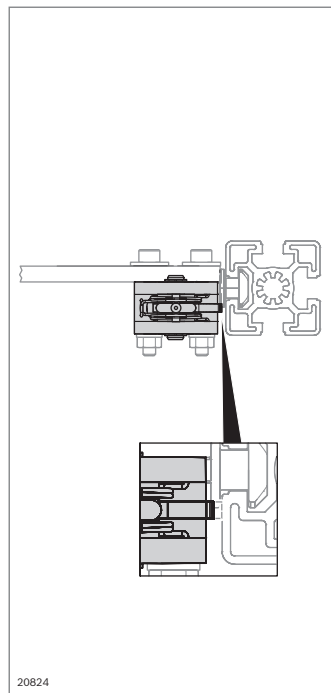
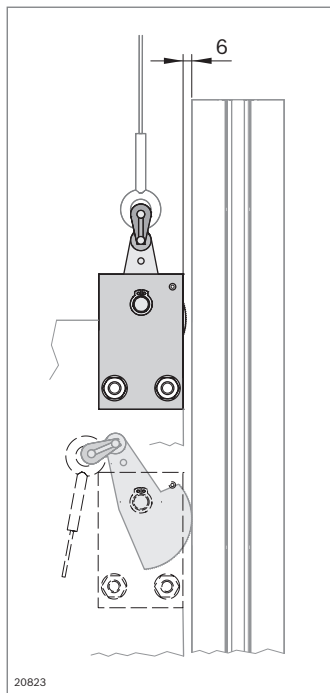
Safety catch



- ▶ The safety catch in conjunction with the other components prevents a lifting door from falling if a cable breaks
- ▶ If a cable breaks, the revolving part of the safety catch jams against a counterbearing and is wedged in position in the guide profile
- ▶ Gap dimension between safety catch body and lateral guide profile: 6 mm
- ▶ One safety catch is required for each cable.
 - Max. load per safety catch: 250 N
 - Min. load per safety catch: 25 N
- ▶ The counterbearing (e.g. slider **3 842 530 303**) should be mounted under the safety catch and as close as possible to it
- ▶ It can also be mounted without a frame on surface elements which have adequate transverse rigidity
- ▶ Before installation and use please read the data sheet containing notes on use which is enclosed with the product

Accessories, optional:

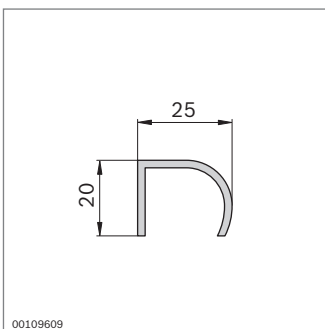
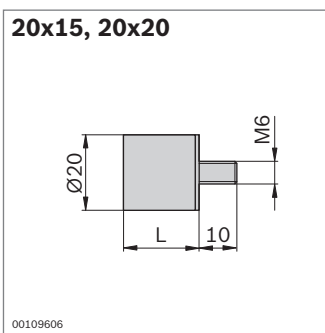
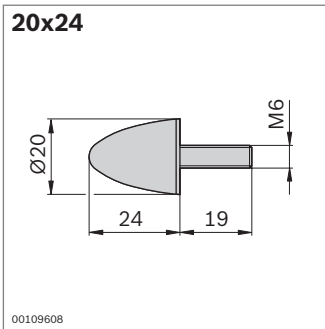
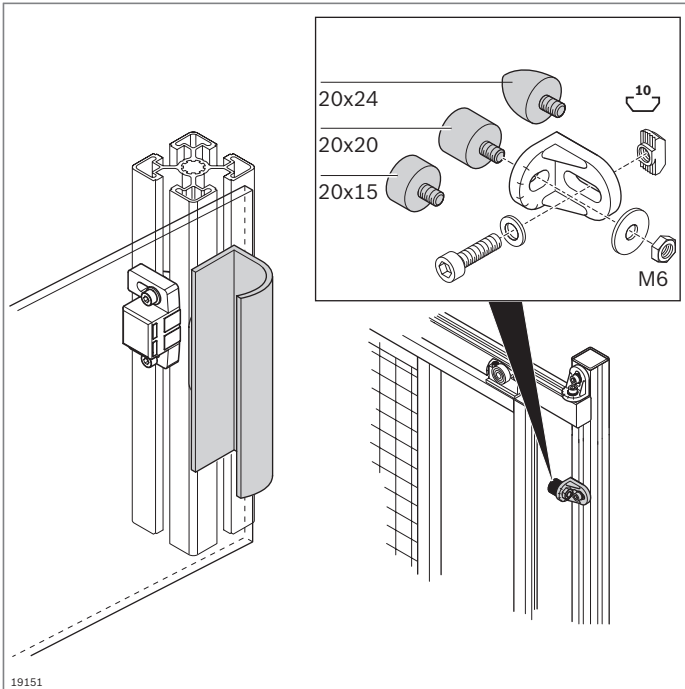
- ▶ Slider (p. 12-3)
- ▶ Fastening material for attaching the safety catch to the lifting door
- ▶ Counterbalance (p. 9-2)
- ▶ Strut profiles (from p. 2-1)



Safety catch	No.
	3 842 546 519

Material: Housing: aluminum
 Rotating disk: steel, rust-free
 Bolt: steel, hardened
 Chain lock: steel, nickel-plated
 Spacer disk: POM

Scope of delivery: Incl. chain lock for securing the cable
 Condition on delivery: Assembled



Bump stop Handle bar

Bump stop

- For damping impact and noise on doors, flaps, and covers

Accessories:
nut, T-nut M6 (p. 3-4)

Handle bar

- Can be used, for example, on covers, drawers, or doors
- Machining: drilled holes for fixing

Accessories, required:
Fastening material

Bump stop		No.
20x24	10	3 842 510 165

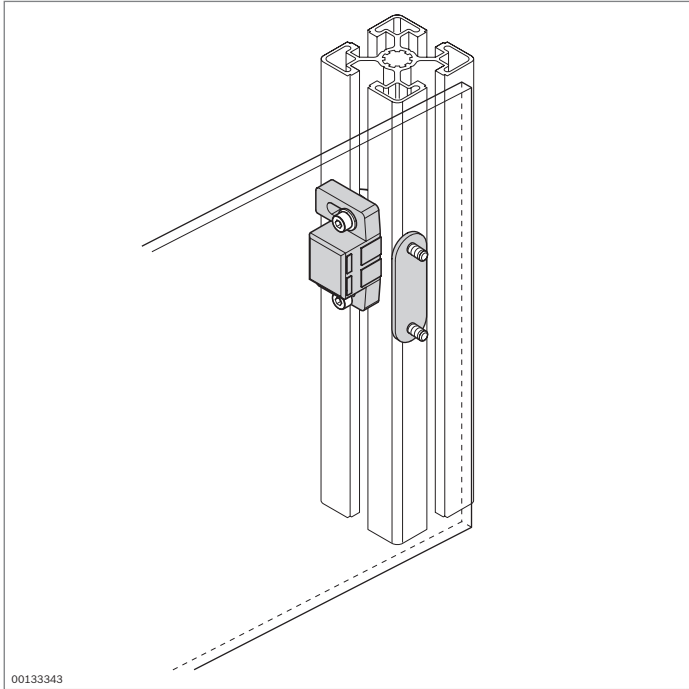
Material: Rubber, hardness 55° shore A

Bump stop	L (mm)		No.
20x15	15	10	3 842 510 464
20x20	20	10	3 842 510 462

Material: Rubber, hardness 55° shore A

Handle bar	L (mm)		No.
	50...3000	1	3 842 990 111 / L
	3000	10	3 842 500 287

Material: Aluminum, anodized



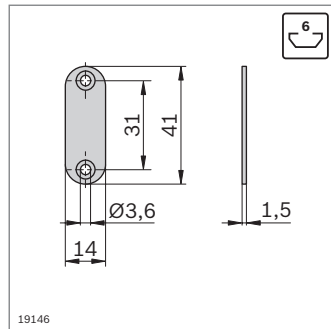
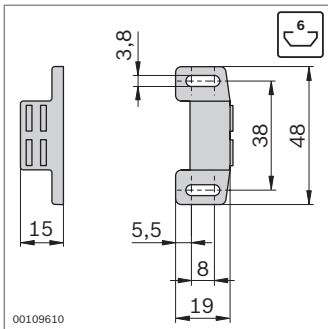
Magnet catch



- ▶ The magnet catch prevents doors and flaps from banging or being unintentionally opened
- ▶ Elongated holes to compensate for different surface element thicknesses

Accessories:

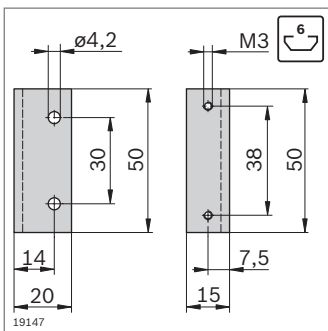
Cylinder bolt ISO 4762, washer, T-nut (p. 3-4)



Magnet catch	Slot	No.	FS
	6	3 842 518 740	2xFS1

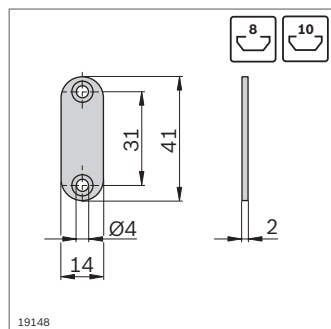
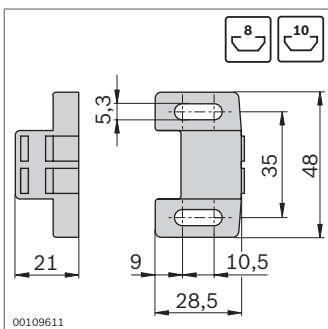
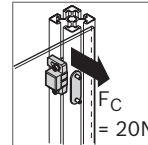
Material: PP, white / steel, galvanized

Scope of delivery: Incl. counterpiece, bracket, fastening material (FS)



FS1

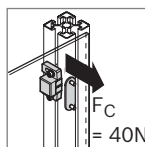
- ISO 4762 M3x8
- DIN 125 A3,2

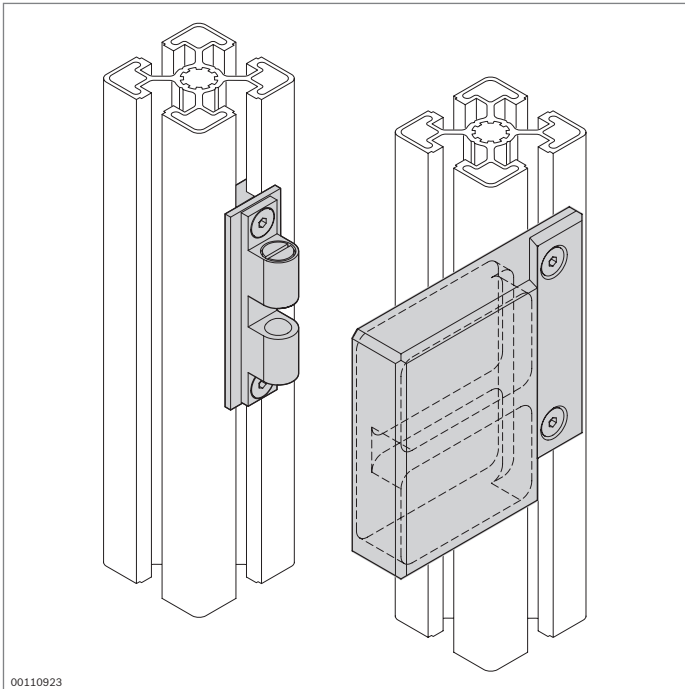


Magnet catch	Slot	No.	
	8, 10	3 842 516 165	

Material: PA; black steel; galvanized

Scope of delivery: Incl. counterpiece





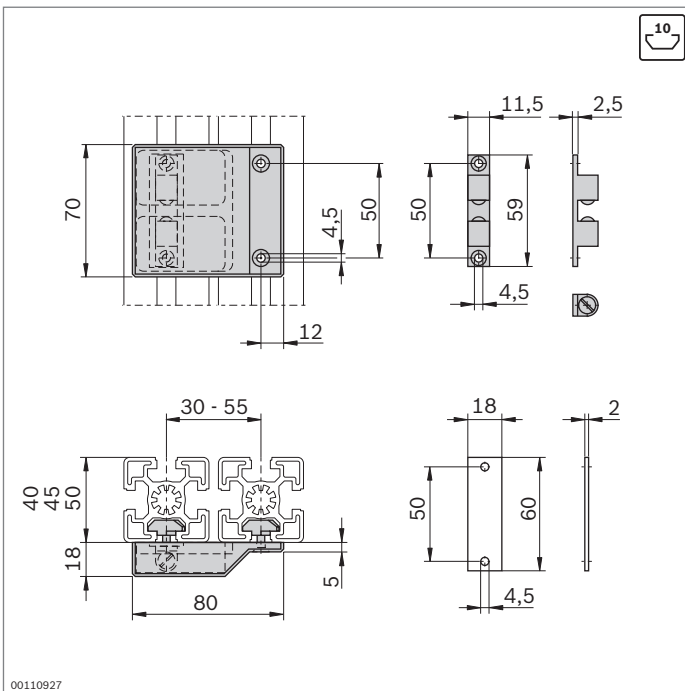
00110923

Double ball stop latch



- ▶ For arresting doors made of profile frames and for bridging door gaps
- ▶ Suitable for profiles with modular dimensions 40 mm, 45 mm, and 50 mm
- ▶ Locking also possible with varying profile spacing

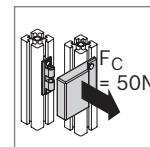
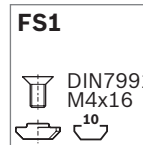
9

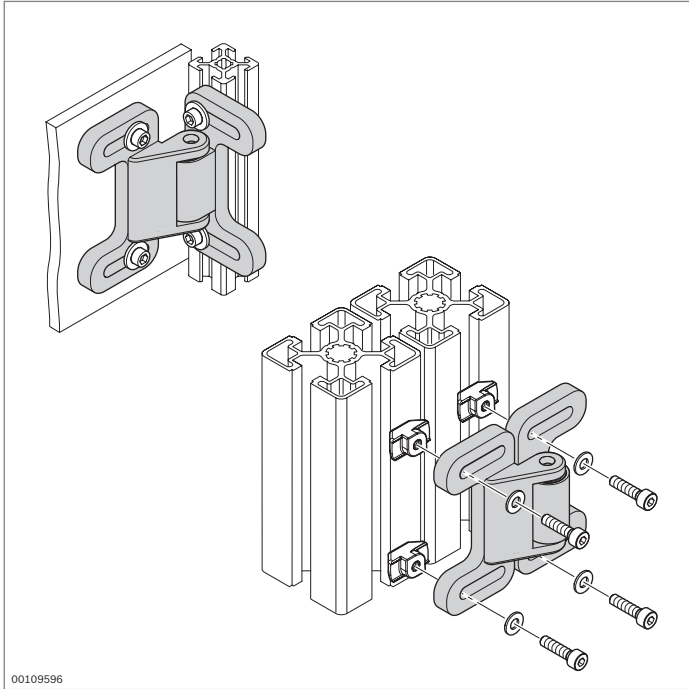


00110927

Double ball stop latch	Slot	No.	FS
	10	3 842 530 241	4xFS1

Material: Aluminum, black anodized
 Scope of delivery: Incl. fastening material (FS)





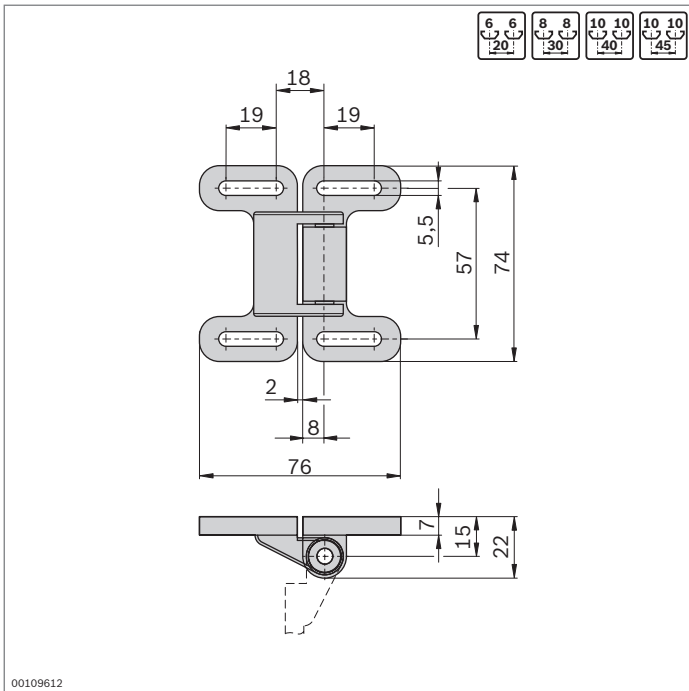
Ball catch



- ▶ Ball catch for doors and flaps
- ▶ For sliding and swing doors
- ▶ For doors with or without frames
- ▶ Elongated hole to adjust for differing spacing
- ▶ Can be used under cleanroom conditions

Accessories:

cylinder bolt ISO 4762, washer, T-nut (p. 3-4)



Ball catch	ESD	No.
	10	3 842 524 986

Material: PA, black; conductive

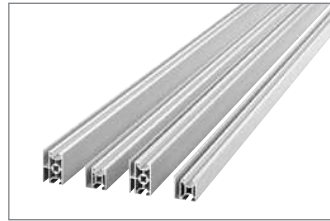


Protective devices and partition walls

EcoSafe



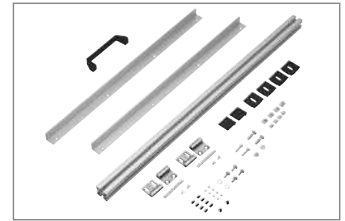
EcoSafe protective frame
(p. 10-6)



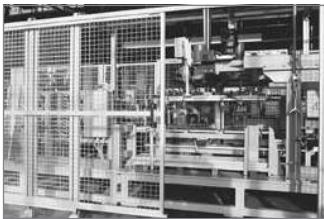
Protective grille profile
(p. 10-8)



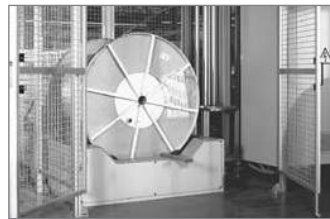
Suspension bracket, safety
strip safety kit (p. 10-10)
Tilt lever (p. 10-11)



EcoSafe system door kit
(p. 10-12)



EcoSafe sliding door with/
without superstructure
(p. 10-14)



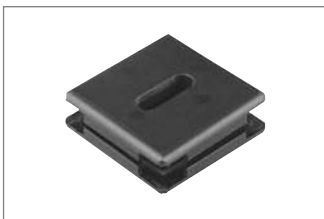
EcoSafe double door kit
(p. 10-16)



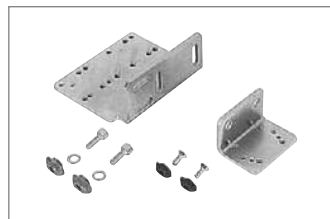
Lock mechanism for double
door (p. 10-17)



Earthing terminal (p. 10-18)



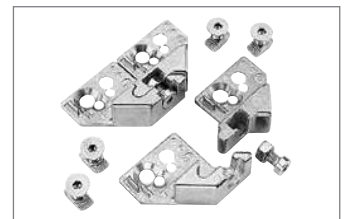
Clamping element (p. 10-19)



Attachment kit for safety
switch (p. 10-20)



Spring clamping element
(p. 10-21)



Suspension piece for frame
(p. 10-22)

Eliminate safety risks in manufacturing and production by using the components for Rexroth protective devices. The EcoSafe protective fence components can be used flexibly and enable the current standards and guidelines to be complied with.

Pre-assembled protective frames, door kits, and a well thought-out overall product range ensure fast planning as well as economical and practical implementation.

Individual protective devices such as enclosures and additional attachments can be created using the tried and tested basic mechanical elements. These two systems are mutually compatible. Rexroth therefore offers a comprehensive, overall solution for all requirements.

Compliance with standards

DIN EN ISO 12100 – Safety of machinery and plant

- The safety fence must be designed so that it can only be opened with the aid of, or by destroying, the fastenings.
- The actual design requires a risk assessment to be carried out according to DIN EN ISO 12100-1 in every case

DIN EN 953 – General design and construction requirements

- Rigidity, impact resistance, strength & durability of connection points etc.

DIN EN ISO 13857

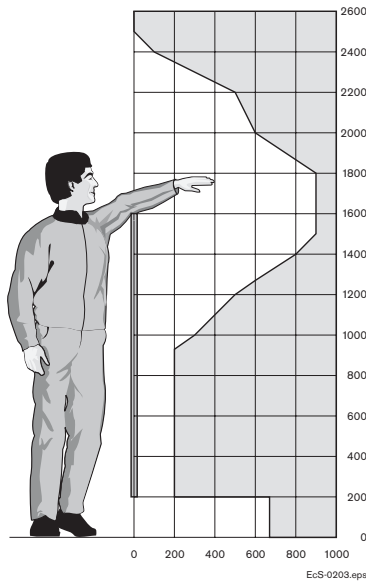
- Safety distances to keep upper or lower limbs out of hazardous areas

Machinery Directive 2006/42/EC

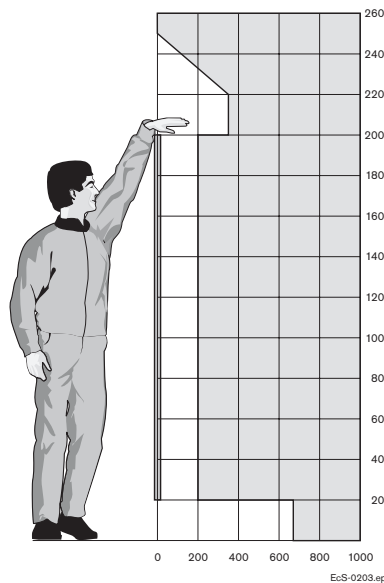
Excerpt from the requirements that apply to protective devices:

- must be solidly built
- must be securely held in position
- must not cause any additional hazards
- must not be able to be easily circumvented or rendered ineffective
- fastenings must only be able to be undone or removed with the aid of tools
- once the protective devices have been removed, fastenings must remain attached or fastened to the protective devices or the machine

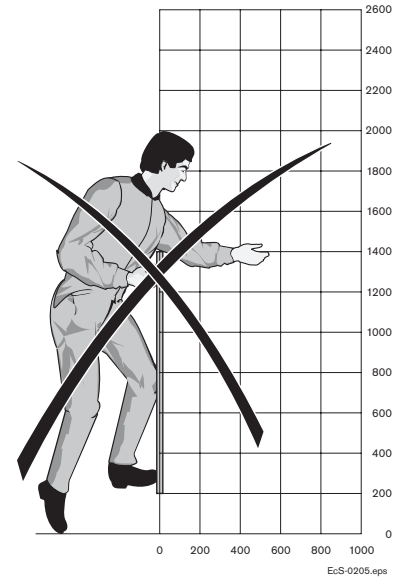
Safety distances



H = 1600 mm



H = 2000 mm

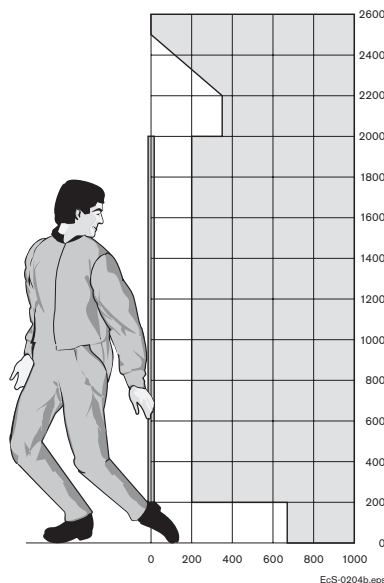
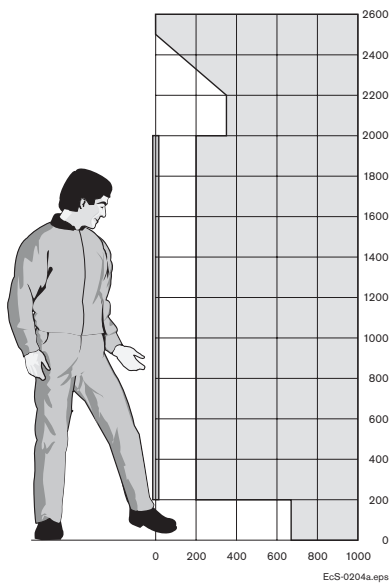


H = 1400 mm

The safety distances depend on the height of the protective device and the openings in the protective grille. If woven wire grilles with a mesh width of 40x40 are used, only a safety distance of 200 mm from the hazard area is required. The standard fence height of 2000 mm provides adequate

protection in conjunction with a relatively small safety distance. The graphics show a profile with the safety distances for 2 different system heights (DIN EN 13857). Protective fences of under 1400 mm in height do not provide adequate protection for personnel.

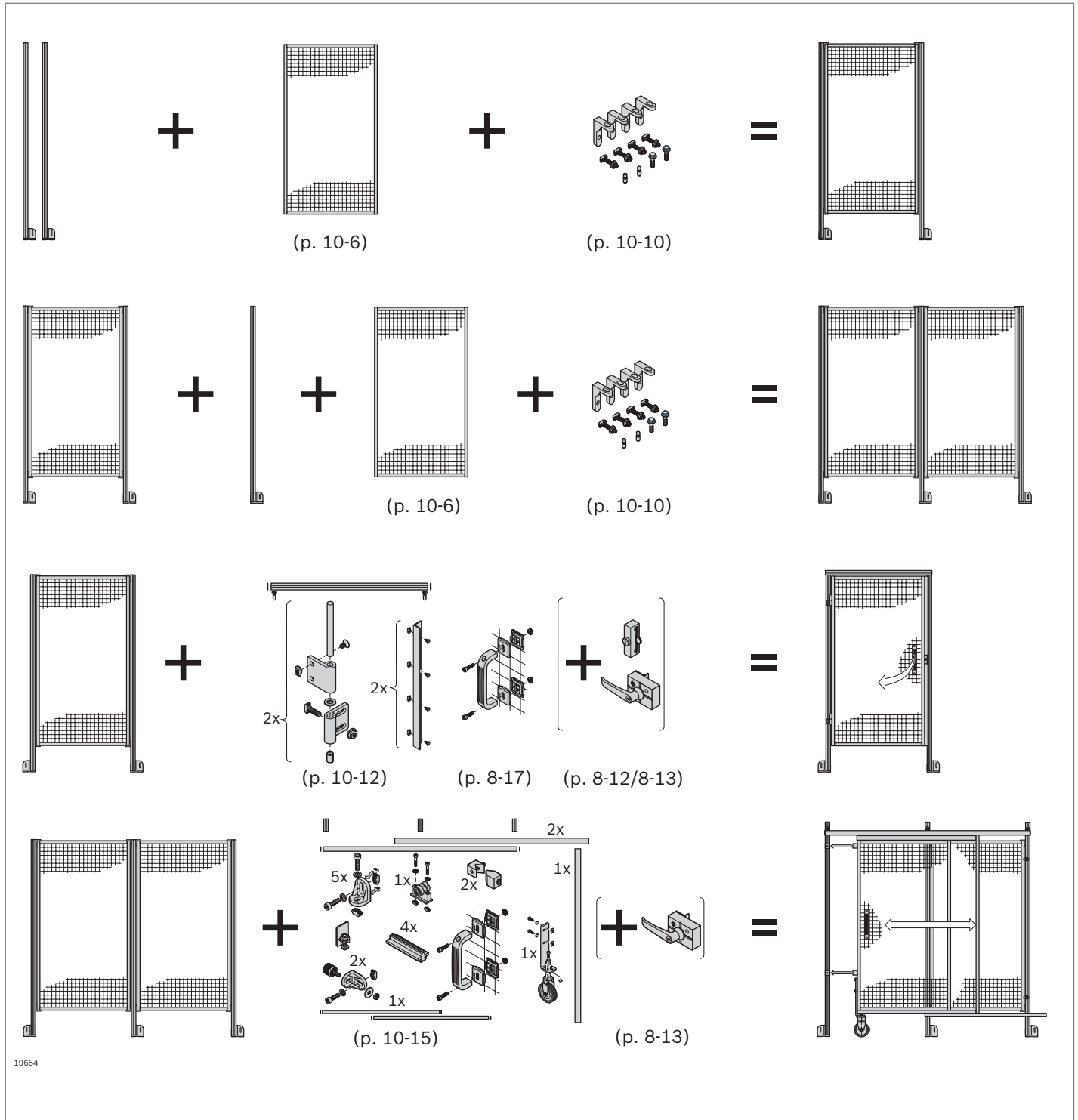
Safety distances where there is 200 mm ground clearance



The standard distance between the protective frame and the ground is 200 mm. This gives a distance from the hazard area of 665 mm. According to the standard, openings that

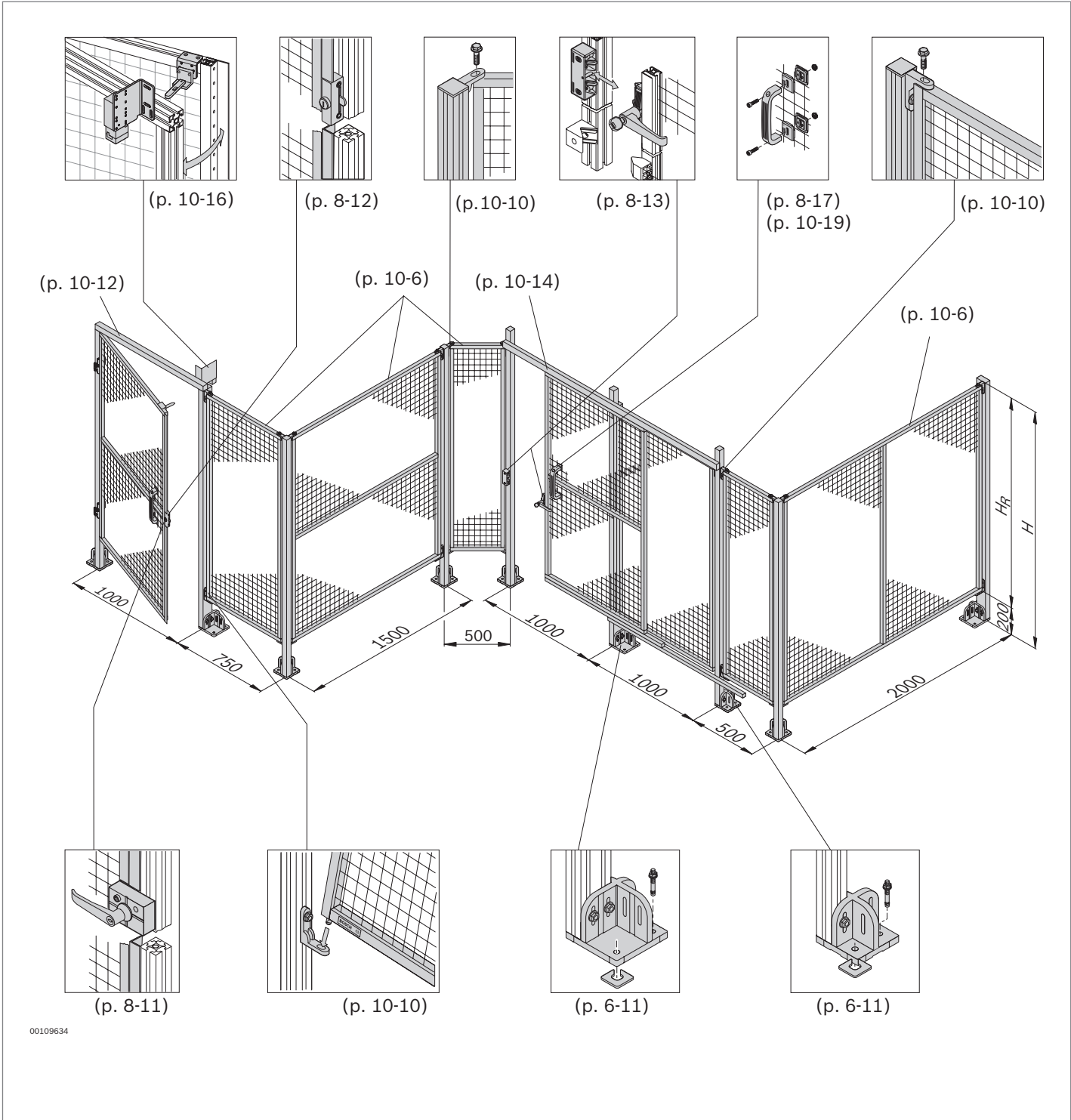
are larger than 180 mm allow the whole body to fit through. Depending on the customer's requirements, the distance from the ground may have to be reduced to < 180 mm.

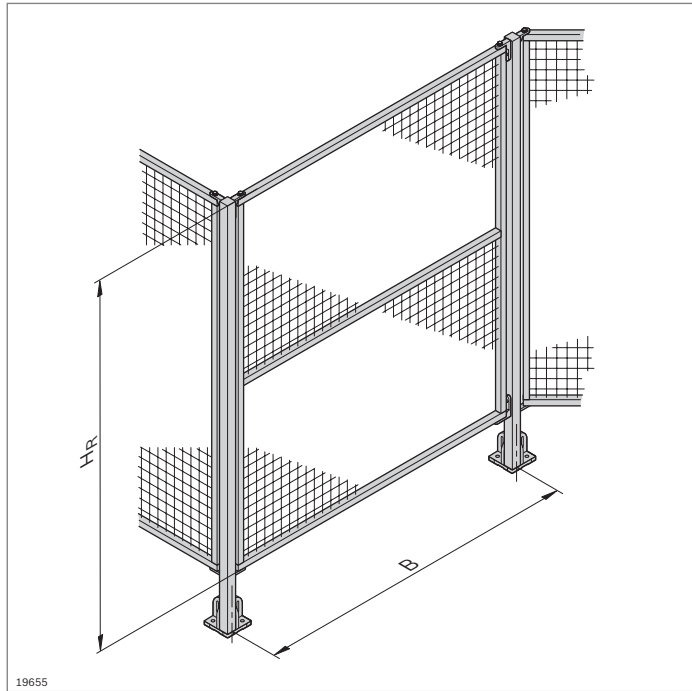
EcoSafe components for building protective fences



19654

EcoSafe components for building protective fences

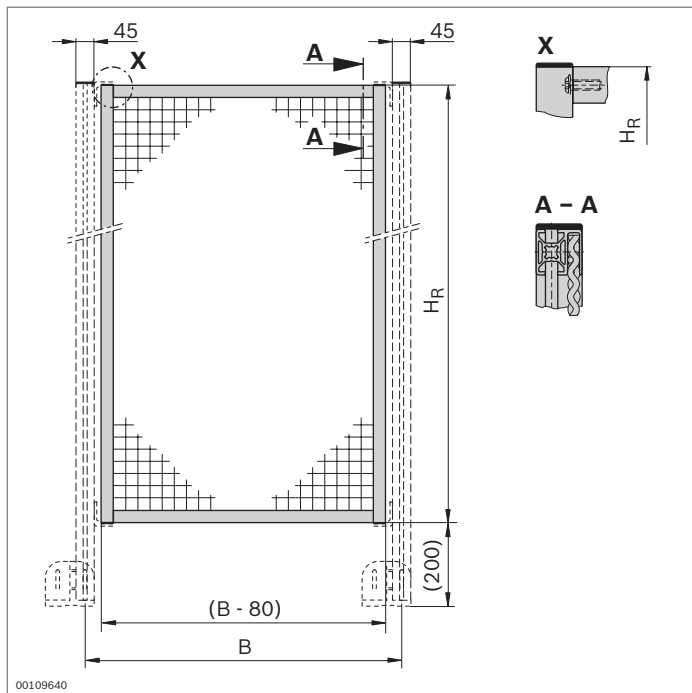




EcoSafe protective frame

- ▶ Protective frame made of protective grille profile 30x30 WG40 (p. 10-7) with woven wire grille 40x40x4
- ▶ Suitable kits enable the construction of doors (system doors, sliding doors, double doors)
- ▶ Fully assembled on delivery
- ▶ Simple mounting on the supports using the suspension brackets. Single fitter is sufficient
- ▶ Standard widths or customized dimensions
- ▶ Horizontally or vertically divided protective frames provide additional stability for large surfaces
- ▶ Color-coated woven wire grilles improve visual contrast in the protected area and facilitate recognition of access routes and emergency exit routes
- ▶ Modular dimension "B" relates to 45x45 supports

Technical data (p. 19-13)

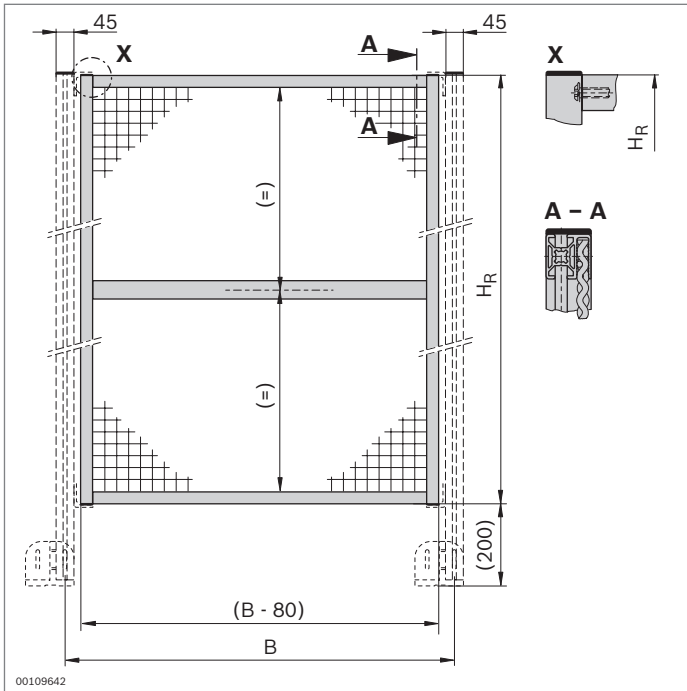


Protective frame	H _R (mm)	B (mm)	No.
	1800	500	3 842 554 282
		750	3 842 554 283
		1000	3 842 554 284
		1500	3 842 554 285
	250 ... 2300	250 ... 1500	3 842 994 742/H_R, B

Material: Frame: aluminum, anodized
Woven wire grille: steel, hot-galvanized

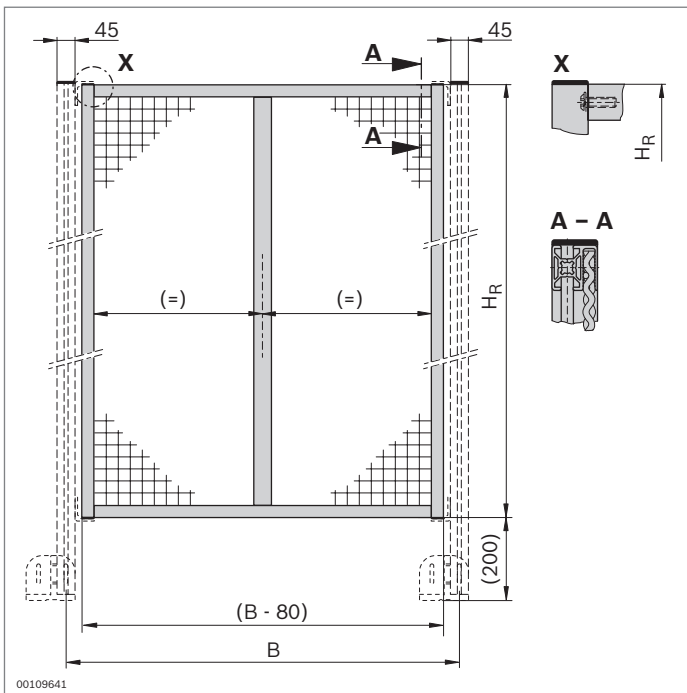
Protective frame	H _R (mm)	B (mm)	No.
Woven wire grille, color-coated	250 ... 2300	250 ... 1500	3 842 994 783 / H_R, B, F

Material: Frame: aluminum, anodized
Woven wire grille: steel, hot-galvanized, painted
Color of woven wire grille: F = 1: black; RAL 9005 (e.g. for fence)
F = 2: yellow; RAL 1023 (e.g. for doors)
Special colors on request



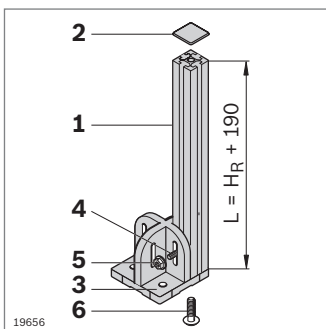
Protective frame, in horizontal sections	H _R (mm)	B (mm)	No.
	1800	1000	3 842 554 281
	500 ... 2300	250 ... 2500	3 842 994 745/H_R, B
Material:	Frame: aluminum, anodized Woven wire grille: steel, hot-galvanized		

Protective frame, in horizontal sections	H _R (mm)	B (mm)	No.
Woven wire grille, color-coated	500 ... 2300	250 ... 2500	3 842 994 785 / H_R, B, F
Material:	Frame: aluminum, anodized Woven wire grille: steel, hot-galvanized, painted		
Color of woven wire grille:	F = 1: black; RAL 9005 (e.g. for fence) F = 2: yellow; RAL 1023 (e.g. for doors) Special colors on request		







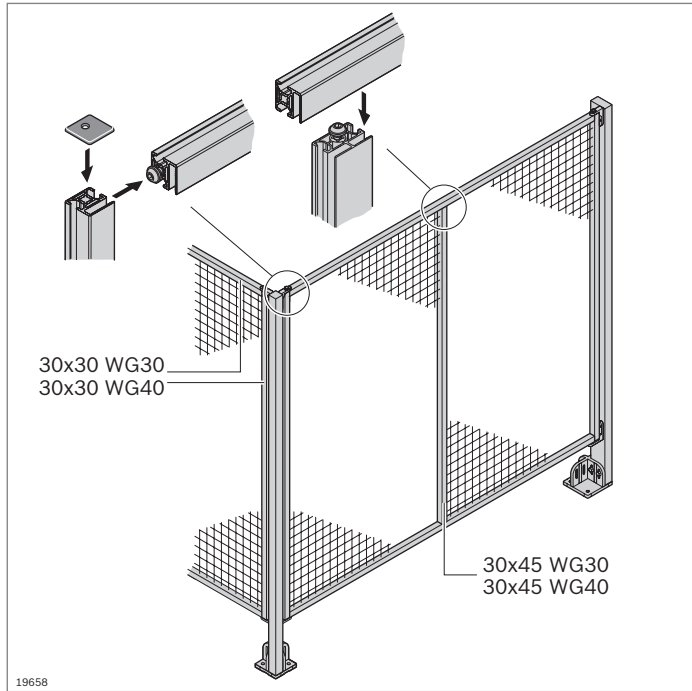
Protective fence, vertical sections	H _R (mm)	B (mm)	No.
	1800	2000	3 842 554 280
	250 ... 2300	500 ... 3000	3 842 994 744/H_R, B
Material:	Frame: aluminum, anodized Woven wire grille: steel, hot-galvanized		

Protective fence, vertical sections	H _R (mm)	B (mm)	No.
Woven wire grille, color-coated	250 ... 2300	500 ... 3000	3 842 994 784 / H_R, B, F
Material:	Frame: aluminum, anodized Woven wire grille: steel, hot-galvanized, painted		
Color of woven wire grille:	F = 1: black; RAL 9005 (e.g. for fence) F = 2: yellow; RAL 1023 (e.g. for doors) Special colors on request		



Individually construct the supports using MGE components

Component	No.
1 Profile 45x45L (p. 2-37)	3 842 992 425 / L
2 Cap (p. 2-37)	3 842 548 753 
3 Base plate 120x120 (p. 6-11)	3 842 527 553 
4 T-bolt M8x30 (p. 3-7)	3 842 528 721
5 Flange nut M8 (p. 3-7)	3 842 345 081 
6 Central bolt S12x30-T50 (p. 3-40)	3 842 530 236 



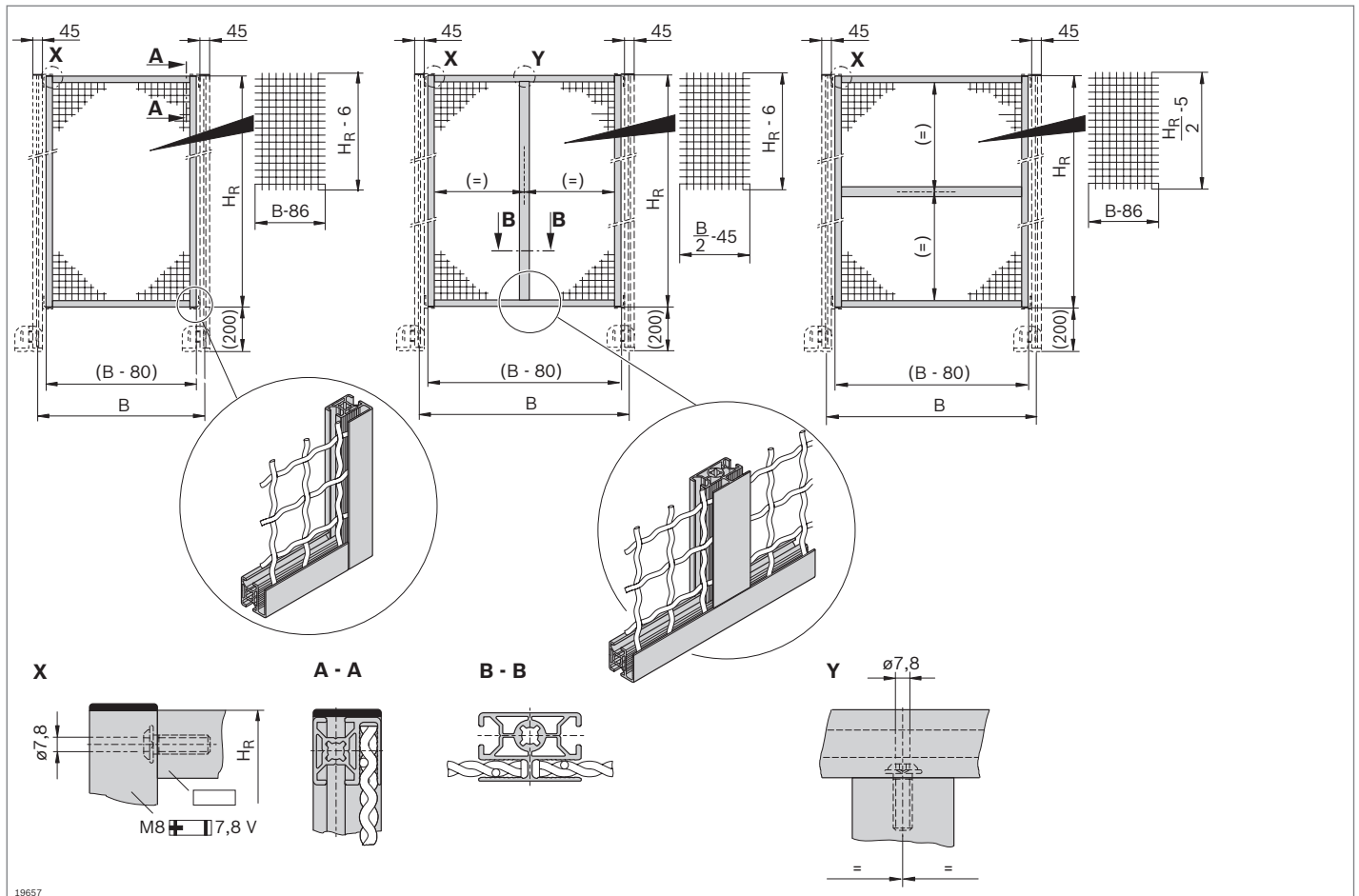
Protective grille profiles

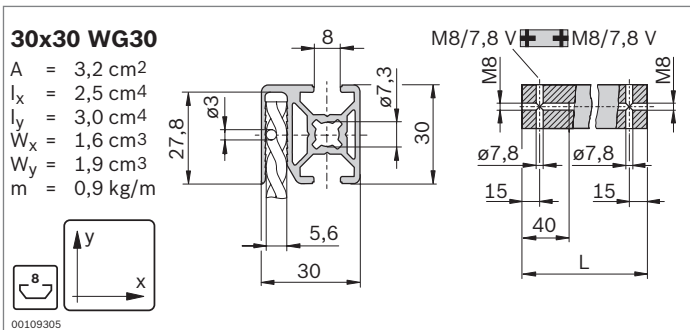


- ▶ For the low-cost construction of protective barriers with woven wire grilles WG30 and WG40
- ▶ Fastening of woven wire grilles: directly in the special profile slot
- ▶ Fastening of surface elements: in the special profile slot using spring clamping elements (accessories)
- ▶ The profiles are connected using a central bolt (profile machining required)
- ▶ Modular dimension "B" relates to 45x45 supports

Accessories, required:

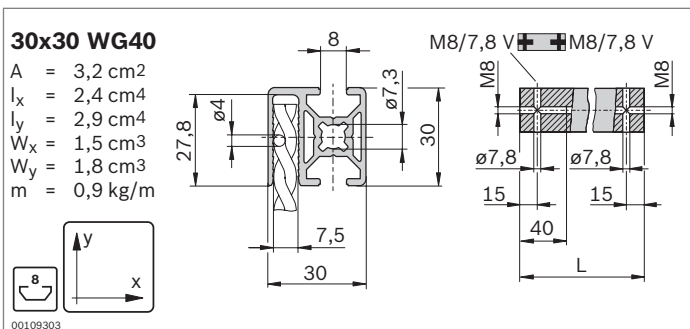
- ▶ central bolt (p. 3-40)
- ▶ woven wire grille (p. 10-6)
- ▶ Spring clamping elements (p. 10-21)





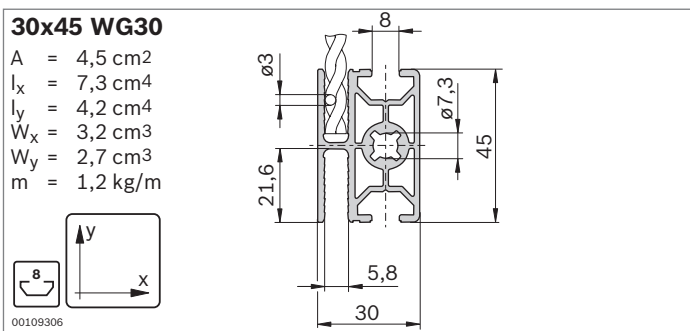
Protective grille profile		L (mm)	No.
30x30 WG30			
1 pc		100 ... 5600	3 842 992 970 / L
1 pc	M8/7,8V M8/7,8V	100 ... 5600	3 842 992 977 / L
20 pcs		5600	3 842 522 462
1 pc		5600	3 842 522 458

Material: aluminum, anodized



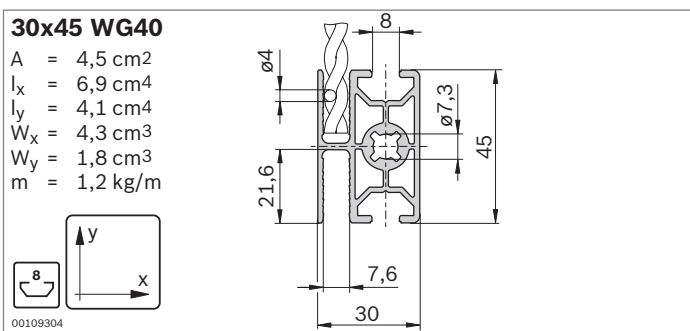
Protective grille profile		L (mm)	No.
30x30 WG40			
1 pc		100 ... 5600	3 842 992 972 / L
1 pc	M8/7,8V M8/7,8V	100 ... 5600	3 842 992 978 / L
20 pcs		5600	3 842 522 464
1 pc		5600	3 842 522 460

Material: aluminum, anodized



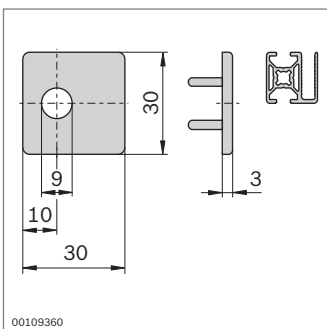
Protective grille profile		L (mm)	No.
30x45 WG30			
1 pc		100 ... 5600	3 842 992 971 / L
20 pcs		5600	3 842 522 463
1 pc		5600	3 842 522 459

Material: aluminum, anodized



Protective grille profile		L (mm)	No.
30x45 WG40			
1 pc		100 ... 5600	3 842 992 973 / L
20 pcs		5600	3 842 522 465
1 pc		5600	3 842 522 461

Material: aluminum, anodized



► Cap for a more attractive appearance and to prevent injuries

Cap 30x30		No.
		100 3 842 522 345

Material: PA; black



Suspension bracket Safety Strip safety kit

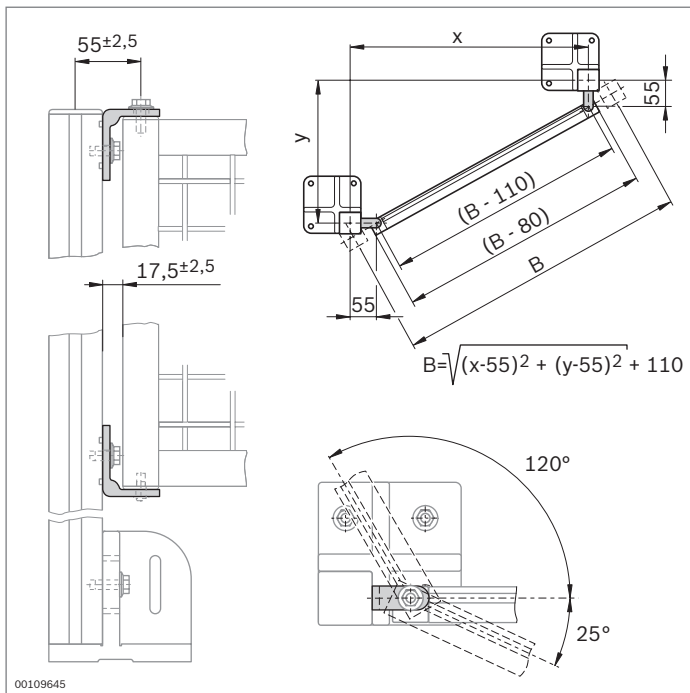


Suspension bracket

- ▶ For mounting the EcoSafe protective frame on the support at various angles
- ▶ Suspension bracket with centering lugs as anti-torsion element

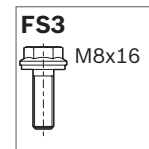
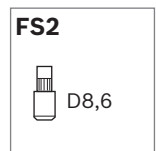
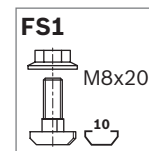
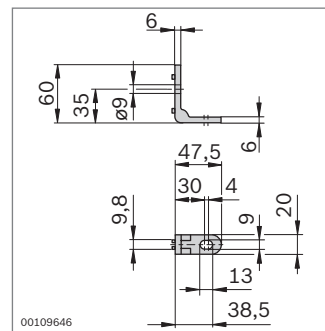
Safety Strip safety kit

- ▶ Safe and inexpensive
- ▶ Easy assembly; can be retrofitted
- ▶ Patented
- ▶ Meets the requirements of Machinery Directive 2006/42/EC
Screw remains connected to the suspension bracket after loosening



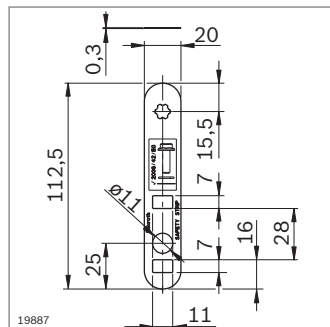
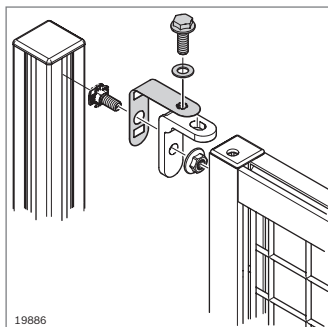
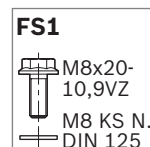
Suspension bracket	No.	FS
Set	3 842 522 481	4xFS1, 2xFS2, 2xFS3

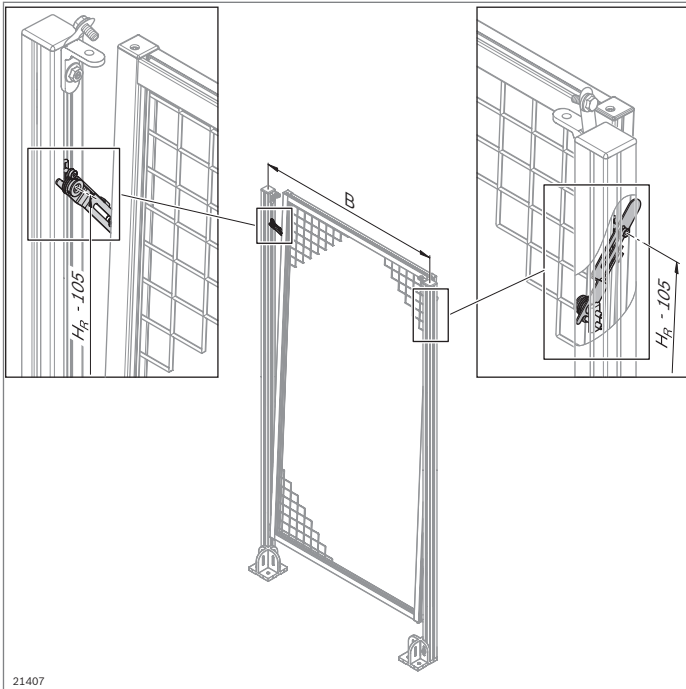
Material: diecast zinc
Fastening material: steel; galvanized
Scope of delivery: In a set with four brackets, incl. fastening material (FS)



Safety Strip safety kit	No.	FS
	10	3 842 542 146 FS1

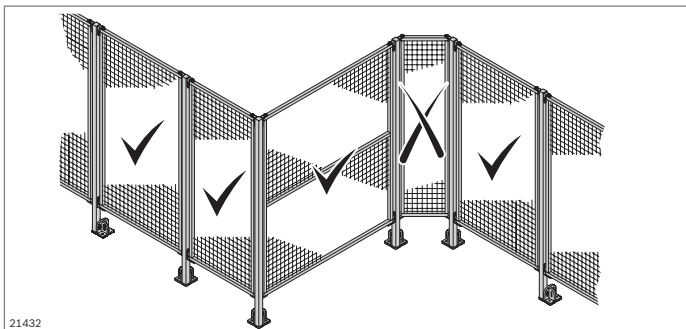
Material: PP granulate
Scope of delivery: Incl. fastening material (FS)





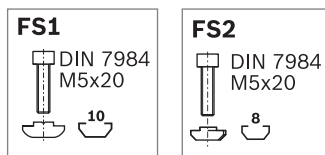
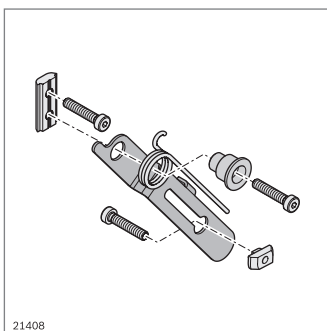
Tilt lever

- ▶ For compliance with the requirement in Machinery Directive 2006/42/EC relating to the detaching of protective frames
 - The long-arm spring is designed so that it tilts the protective frame outwards, making it clear that the protective frame is detached
 - The protective frame cannot fall out
- ▶ Easily removable EcoSafe protective frames
- ▶ Can be retrofitted
- ▶ Installation on both sides recommended for EcoSafe protective frames of width $B > 1500$ mm



Possible installation situation:

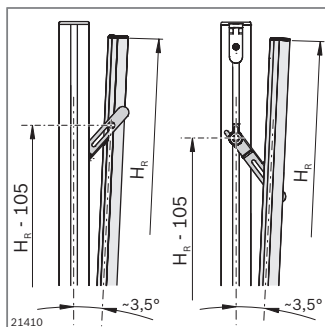
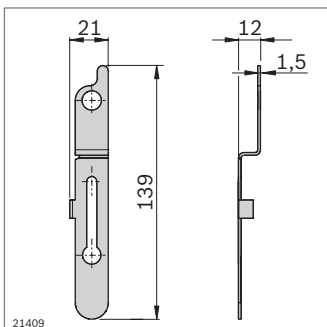
- ▶ not suitable for installing the protective frame across a corner

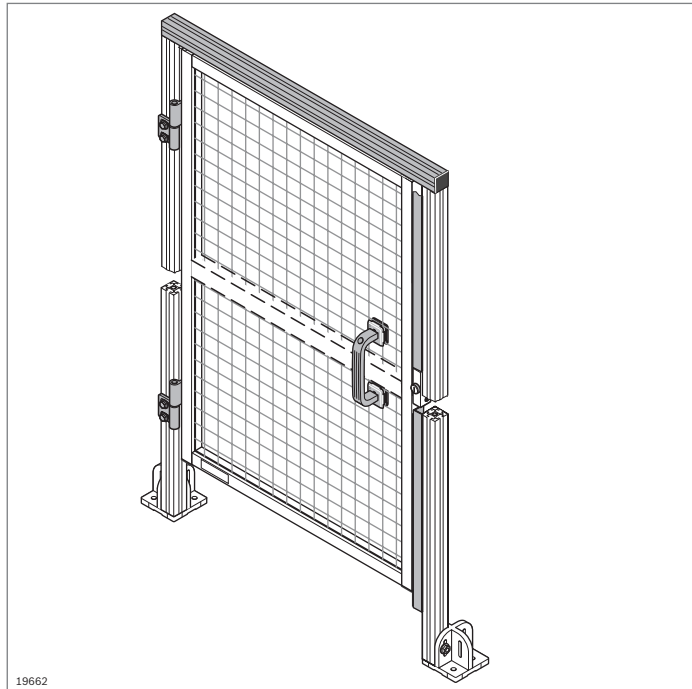


Tilt lever	No.	FS
	3 842 546 560	FS1, FS2

Material: Fixing plate: stainless steel
 Spacer: aluminum
 Long-arm spring: spring steel

Scope of delivery: Holding plate, spacer, long-arm spring, fastening material (FS)



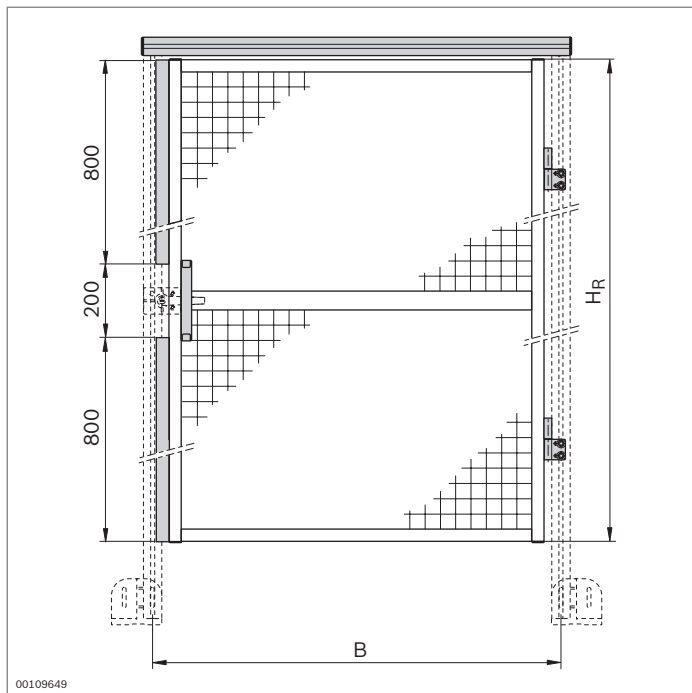


EcoSafe system door kit

- ▶ For constructing an EcoSafe system door in the modular dimension system
- ▶ Use of finished protective frame as a door
- ▶ For doors that open to the left or right
- ▶ Required components:
 - assembly kit for system door
 - protective frame (p. 10-6)

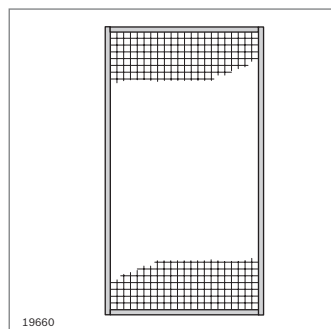
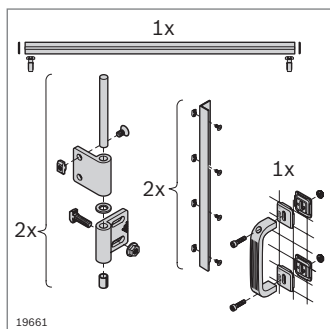
Accessories, optional:

- ▶ door lock (p. 8-12)
- ▶ attachment kit for safety switch (p. 10-20)



Assembly kit for system door	H _R (mm)	B (mm)	No.
	1800	1000	3 842 523 166
	1800	750	3 842 523 165

Scope of delivery: 2 x hinge, 2 x stop rail, profile as door lintel, bow-type handle, incl. fastening material

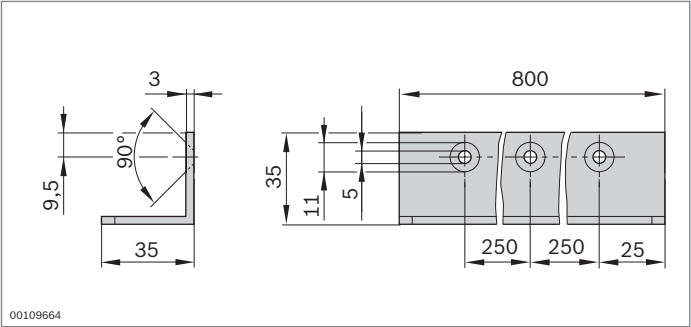


Selection of suitable protective frames

Protective frame	H _R (mm)	B (mm)	No.
Protective frame, in horizontal sections	1800	1000	3 842 554 281
Protective frame	1800	750	3 842 554 283

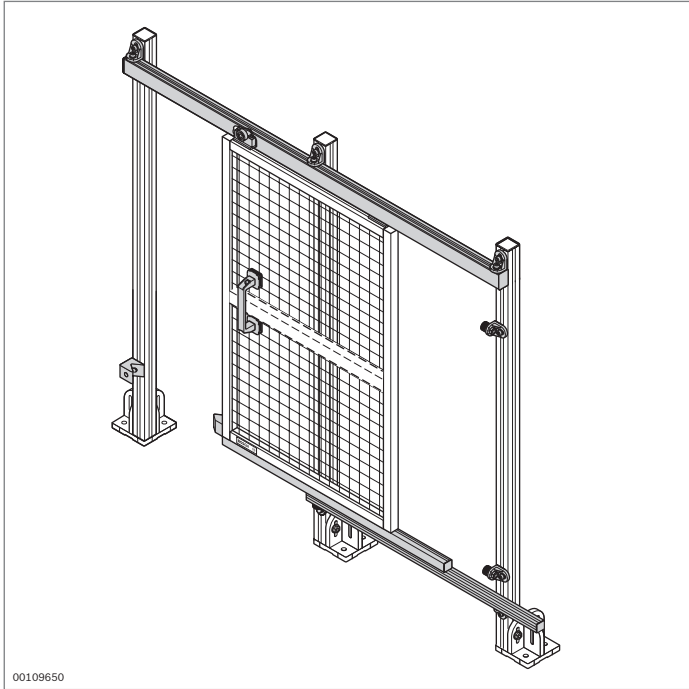
Material: Aluminum, anodized; woven wire grille and fastening material: steel; galvanized

Scope of delivery: Fully assembled



► System door stop rail for self-assembly

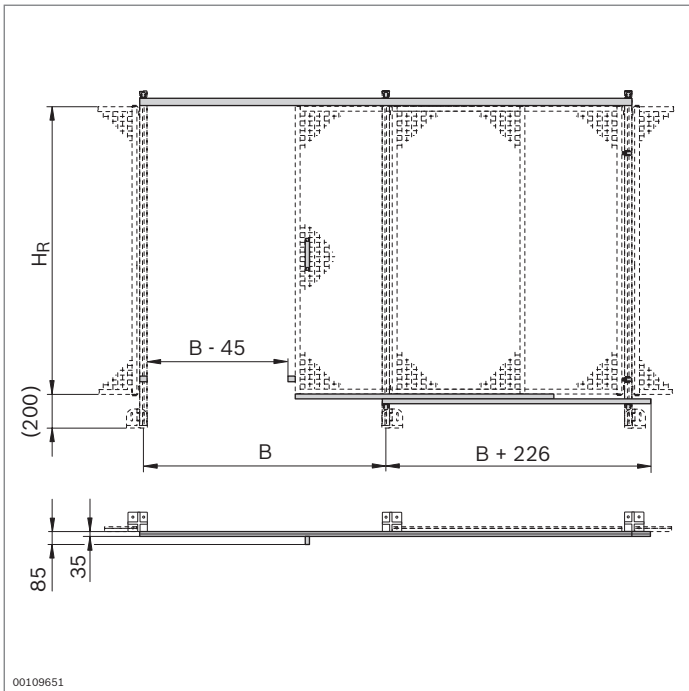
Stop rail	No.
	3 842 523 170



EcoSafe assembly kit for sliding door with superstructure

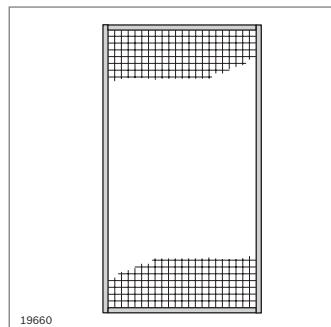
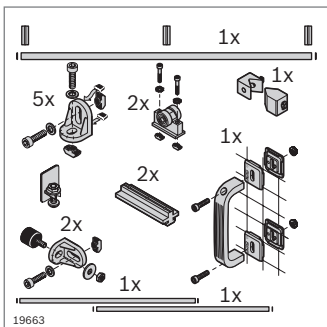
- ▶ Assembly kit for constructing an EcoSafe sliding door with superstructure in the modular dimension system
- ▶ Use of finished protective frame as a door
- ▶ Easy subsequent installation in a protective fence
- ▶ Rollers with ball bearings for smooth running
- ▶ For doors that open to the left or right
- ▶ Required components:
 - assembly kit for sliding door with superstructure
 - protective frame (p. 10-6)

Accessories, optional:
door lock (p. 8-12)



Assembly kit for sliding door with superstructure	H _R (mm)	B (mm)	No.
	1800	1000	3 842 524 163
	1800	1500	3 842 524 164

Scope of delivery: 2 x bump stop, 2 x slider, 2 x trolley, profile for door superstructure, 7 x mounting bracket, stop kit, 2 x profile for sliding door

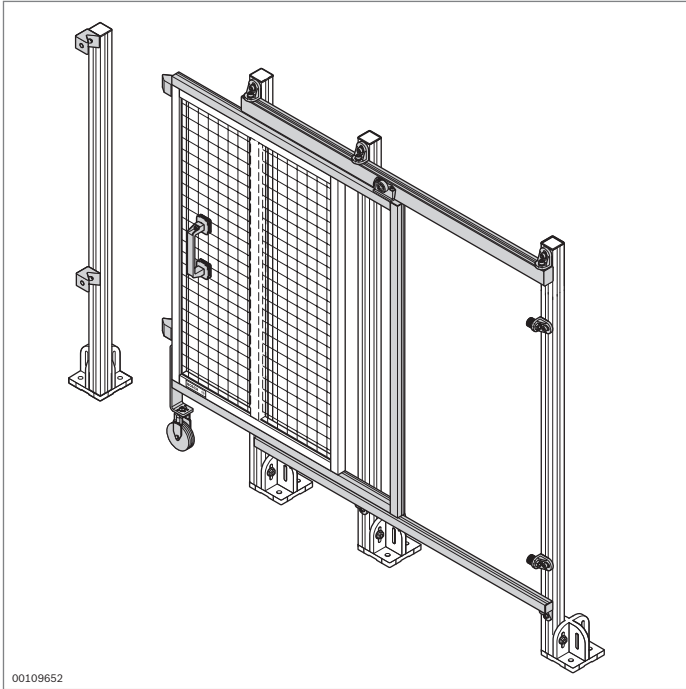


Selection of suitable protective frames

Protective frame	H _R (mm)	B (mm)	No.
	1800	1000	3 842 554 284
	1800	1500	3 842 554 285

Material: Aluminum, anodized; woven wire grille and fastening material: steel; galvanized

Scope of delivery: Fully assembled

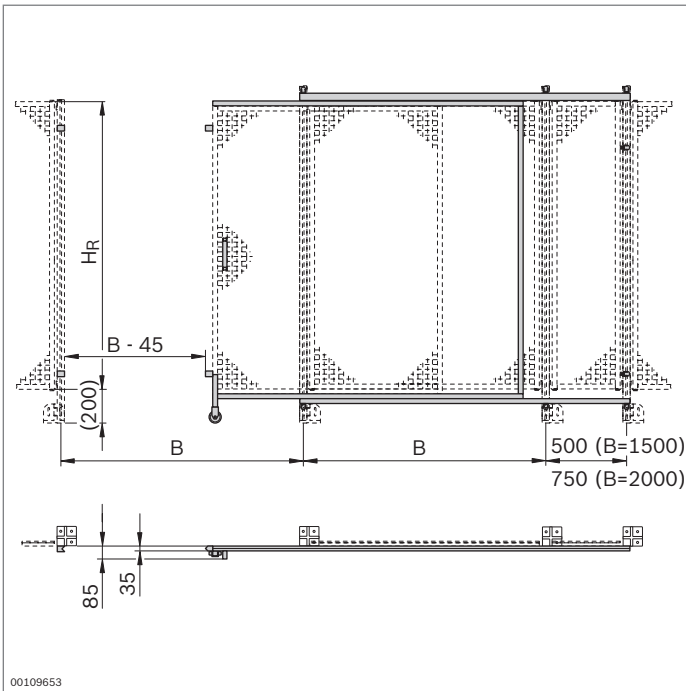


00109652

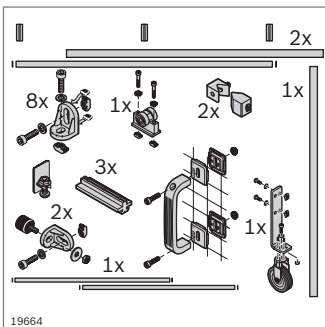
EcoSafe sliding door without superstructure

- ▶ Assembly kit for constructing an EcoSafe sliding door without superstructure in the modular dimension system
- ▶ Use of finished protective frame as a door
- ▶ Easy subsequent installation in a protective fence
- ▶ Rollers with ball bearings for smooth running
- ▶ For doors that open to the left or right
- ▶ Required components:
 - assembly kit for sliding door without superstructure
 - protective frame (p. 10-6)

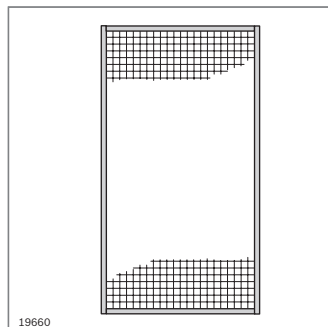
Accessories, optional:
door lock (p. 8-12)



00109653



19664



19660

Assembly kit for sliding door without superstructure	H _R (mm)	B (mm)	No.
	1800	1500	3 842 524 165
	1800	2000	3 842 524 166

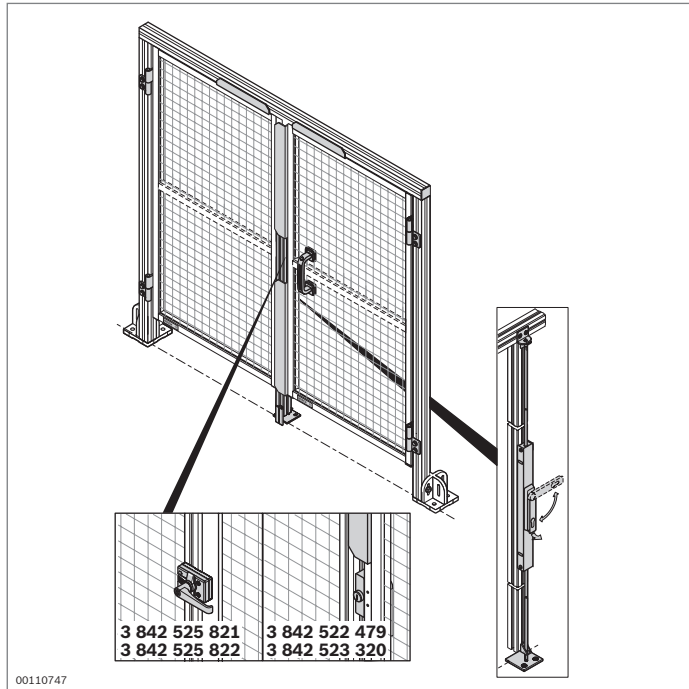
Scope of delivery: 2 x bumper, 3 x slider, trolley, profile for door superstructure, 8 x mounting bracket, 2 x stop kit, 2 x profile for sliding door, incl. fastening material

Selection of suitable protective frames

Protective frame	H _R (mm)	B (mm)	No.
Protective frame	1800	1500	3 842 554 285
Protective fence, vertical sections	1800	2000	3 842 554 280

Material: Aluminum, anodized; woven wire grille and fastening material: steel; galvanized

Scope of delivery: Fully assembled

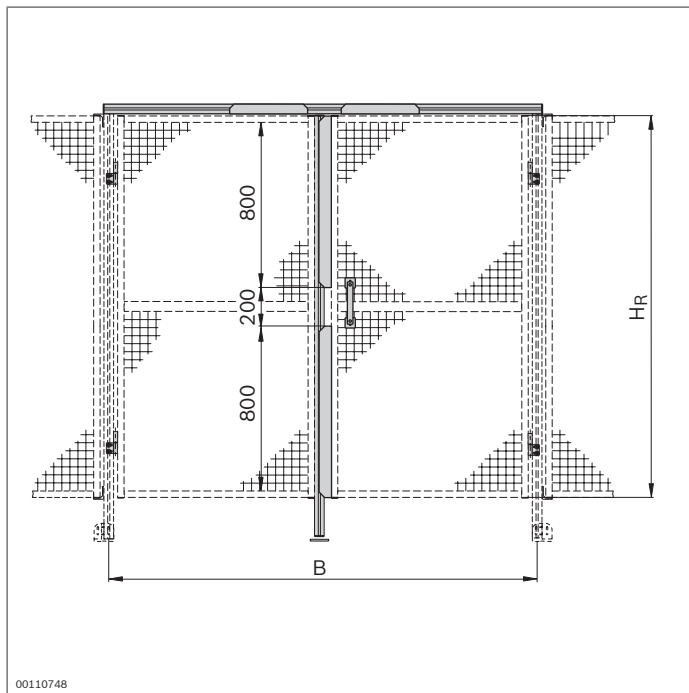


EcoSafe double door kit

- ▶ Assembly kit for constructing an EcoSafe double door in the modular dimension system
- ▶ Use of finished protective frame as a door
- ▶ Easy subsequent installation in a protective fence
- ▶ Optional installation of a standard lock cylinder in the lock mechanism for the double door
- ▶ Required components:
 - double door assembly kit
 - two protective frames (p. 10-6)

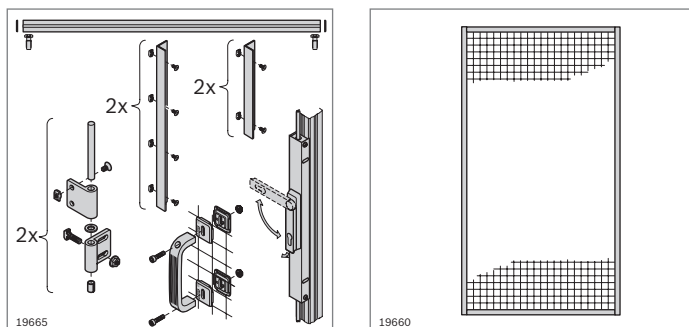
Accessories, optional:

- ▶ door lock (p. 8-12)
- ▶ attachment kit for safety switch (p. 10-20)
- ▶ standard lock cylinder (dimensions, p. 8-14)



double door assembly kit	H _R (mm)	B (mm)	No.
	1800	1500	3 842 525 781
	1800	2000	3 842 525 782

Scope of delivery: Lock mechanism for double door, profile for door superstructure, profile for door stop, 4 x hinge, base plate, bow-type handle, 2 x stop bracket for door bolts, 2 x stop bracket for door stop, fastening material

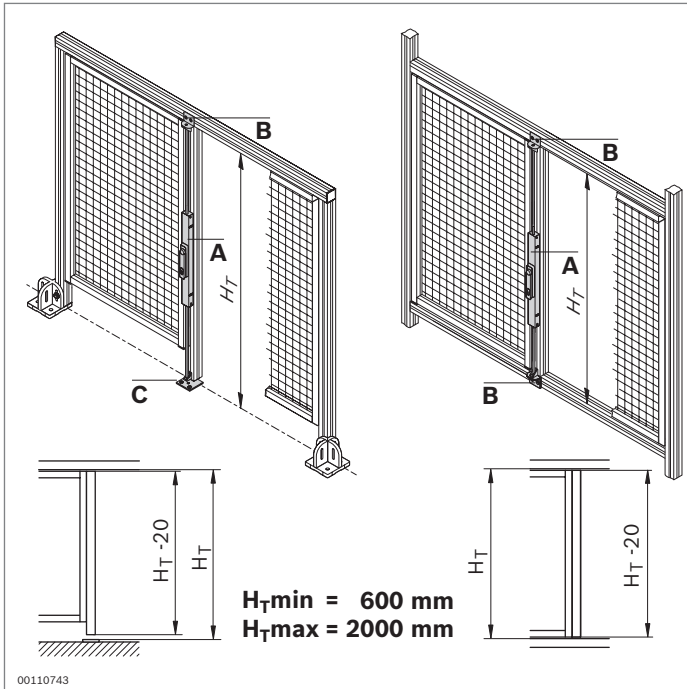


Selection of suitable protective frames

Protective frame	H _R (mm)	B (mm)	No.
Protective frame	1800	750	3 842 554 283
Protective frame, in horizontal sections	1800	1000	3 842 554 281

Material: Aluminum, anodized; woven wire grille and fastening material: steel; galvanized

Condition on delivery: Fully assembled

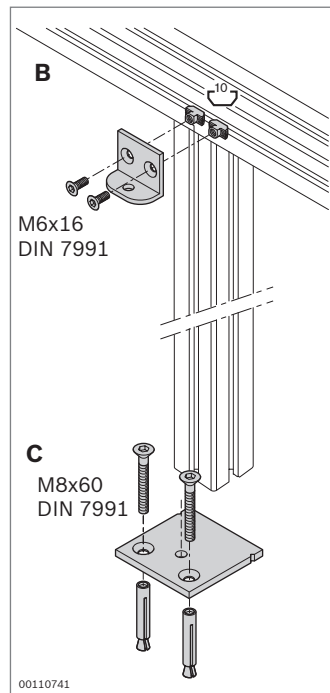
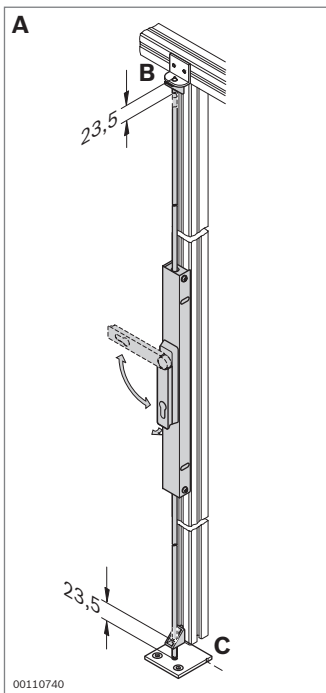


Lock mechanism for double door



- ▶ Components for constructing a lock mechanism for double doors
- ▶ Optional installation of a standard lock cylinder in the lock mechanism for the double door
- ▶ Locking mechanism assembly kit (A) for individually designed double doors with $H_{T,max} = 2000$ mm
- ▶ Lock bracket (B) for mounting the lock bolt bar
- ▶ Base plate (C) for mounting the lock bolt bar; fastened to the floor with supplied dowels. For doors which can be driven through

Accessories, optional:
standard lock cylinder (dimensions, p. 8-14)



Lock mechanism assembly kit	No.	FS
A	3 842 525 780	2xFS1, 2xFS2, 4xFS3

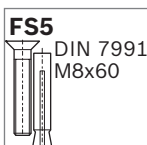
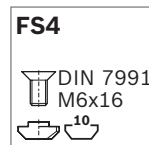
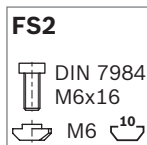
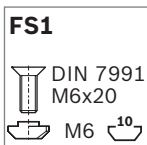
Material: Housing: aluminum
Door handle: PA; black
Lock bolt: steel; galvanized
Lock bolt guide bracket: diecast zinc
Scope of delivery: Lock mechanism for double door, incl. fastening material (FS)

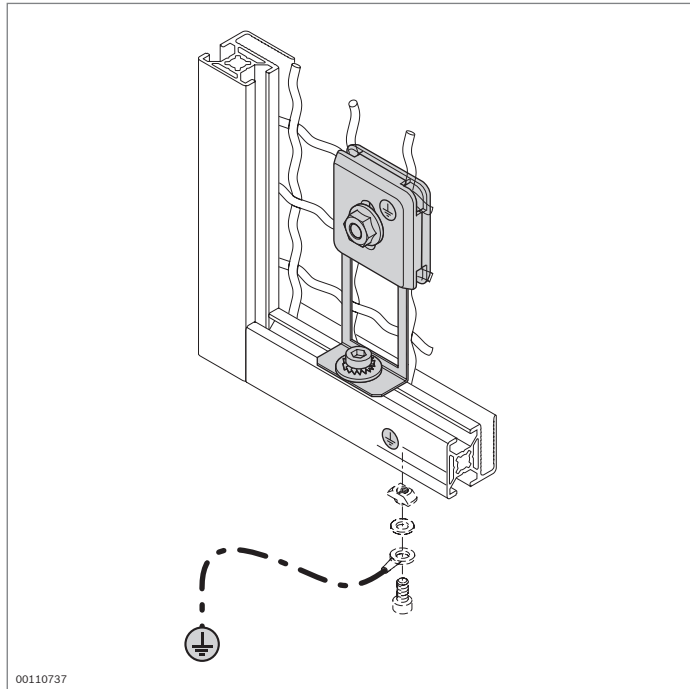
Lock bracket	No.	FS
B	3 842 526 786	2xFS4

Material: Aluminum, anodized
Scope of delivery: Incl. fastening material (FS)

Base plate	No.	FS
C	3 842 526 787	2xFS5

Material: Floor plate: steel; stainless
Floor dowels: steel; galvanized
Scope of delivery: Incl. fastening material (FS)

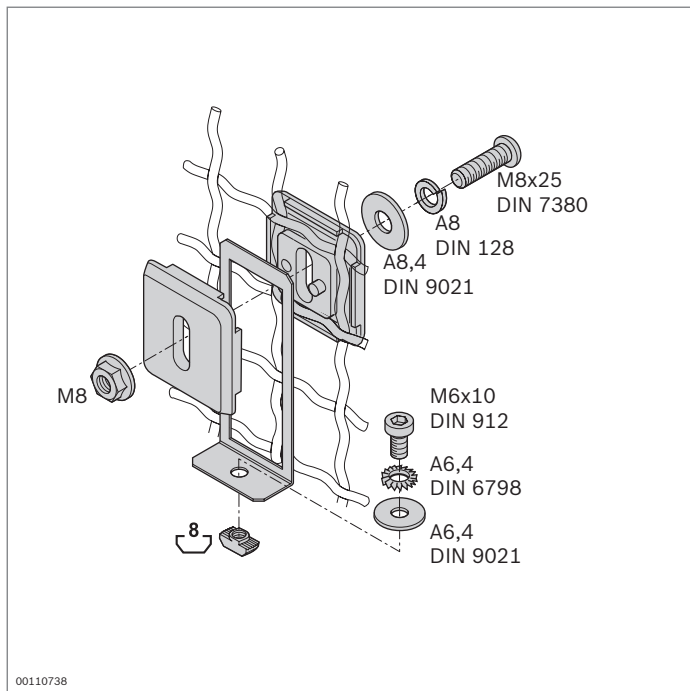




Earthing terminal



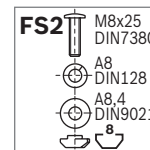
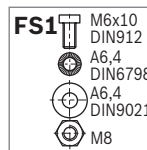
- For creating an electrically conductive connection between the woven wire grille and protective frame
- Connect the protective conductor via the ESD-conductive connection elements (e.g. T-nut)
- Guarantees safe conduction of short-circuit currents up to a rated current of 63 A

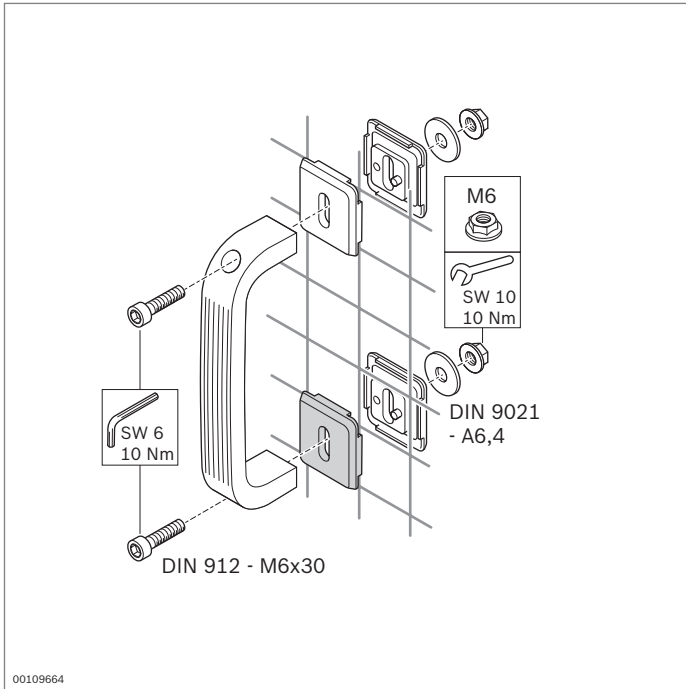


Earthing terminal	No.	FS
	3 842 525 833	FS1, FS2

Material: Earthing terminal: steel; stainless
Clamping element: PA; black
Fastening material: steel; galvanized

Scope of delivery: Incl. fastening material (FS)

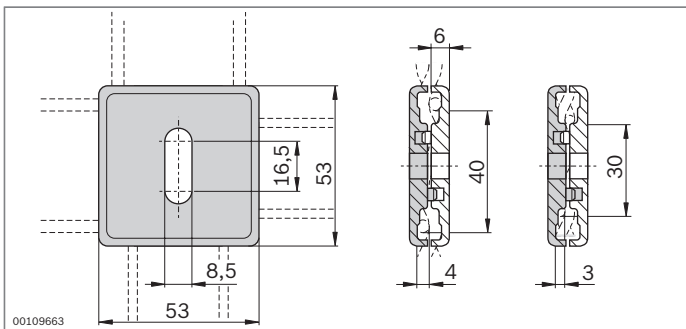





Clamping element

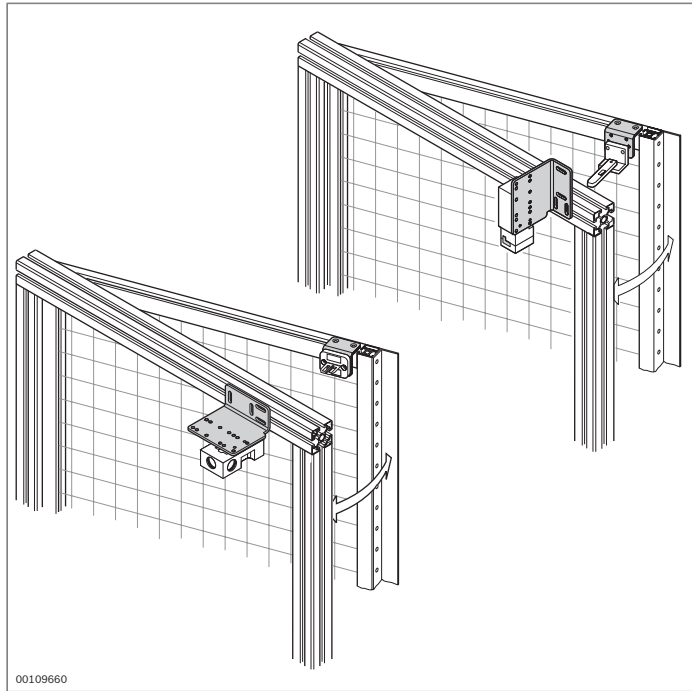
- ▶ For attaching handles, information boards or warning signs to woven wire grilles 40x40x4 and 30x30x3
- ▶ Clamping with opposing pairs of clamping elements

Accessories, required:
fastening material; see drawing



Clamping element		No.
	20	3 842 523 308

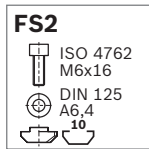
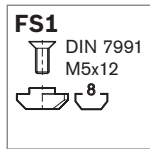
Material: PA66; black



Attachment kit for safety switch

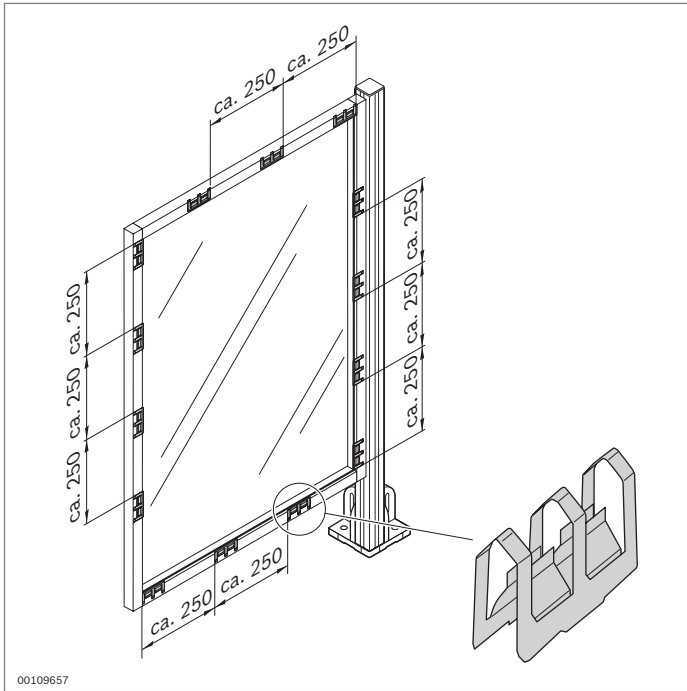


- For installing standard commercially available safety switches on EcoSafe system doors



Attachment kit for safety switch		No.	FS
For safety switch	For activator		
Euchner NZ 1 VZ...	024298; 024299	3 842 522 475	2xFS1, 2xFS2
Euchner NZ 2 VZ...	024298; 024299		
Euchner NZ 1 VS...	024298; 024299		
Euchner NZ 2 VS...	024298; 024299		
Schmersal AZ15,...	AZ15/16-B2-1747		
Schmersal AZ16...	AZ15/16-B2-1747		
Schneider Electric XCS - A...	XCS-Z03		
Schneider Electric XCS - C...	XCS-Z03		
Schneider Electric XCS - PA...	XCS-Z13		
Schneider Electric XCS - TE...	XCS-Z13		
Euchner TZ...	024298; 024299	3 842 522 476	2xFS1, 2xFS2
Schneider Electric XCS - LE/ LF...	XCS-Z03		
Schneider Electric XCS - TE...	XCS-Z13		
Schneider Electric XCS - PA...	XCS-Z13		
Schmersal AZM161...	AZM161-B1		
Schmersal AZM161...	AZM161-B1E	3 842 522 477	2xFS1, 2xFS2

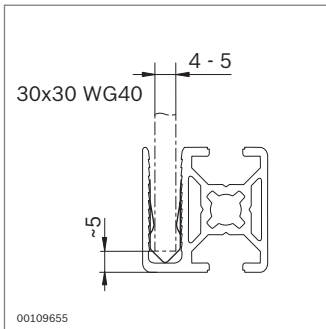
Material: Steel; galvanized
 Scope of delivery: Incl. adapter plate, bracket,
 incl. fastening material (FS)



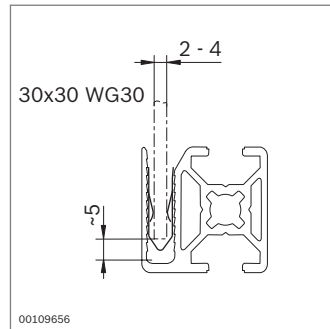
00109657

Spring clamping element

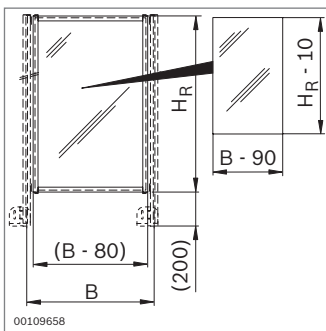
- ▶ For clamping surface elements in EcoSafe protective fence profiles 30x30 WG30 and 30x30 WG40
- ▶ Play-free clamping
- ▶ Individual sections of the protective frames can be filled as you wish



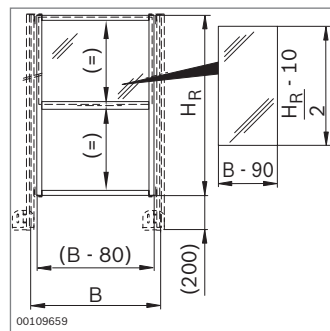
00109655



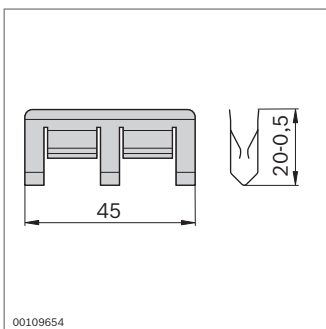
00109656



00109658



00109659



00109654

Spring clamping element

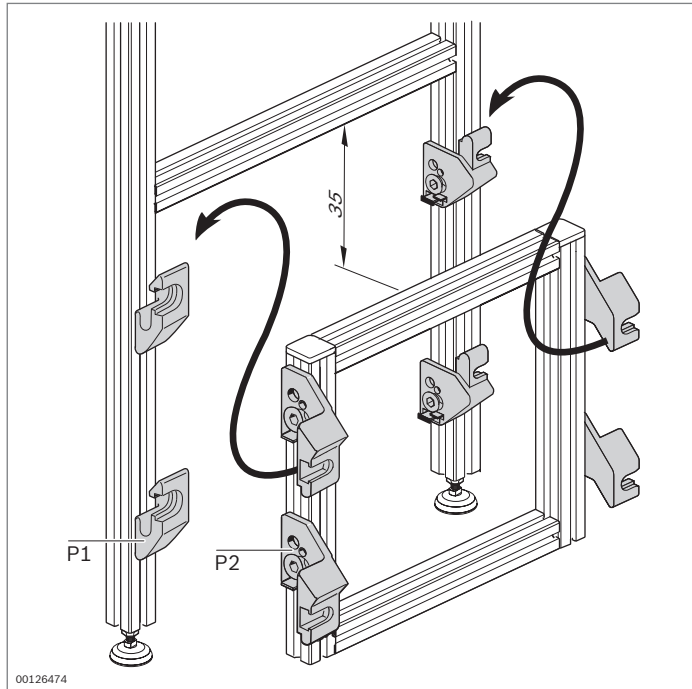


No.

100

3 842 525 014

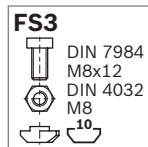
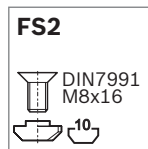
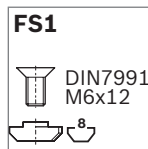
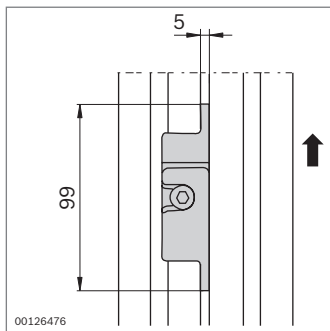
Material: Spring steel, stainless



Suspension piece for frames



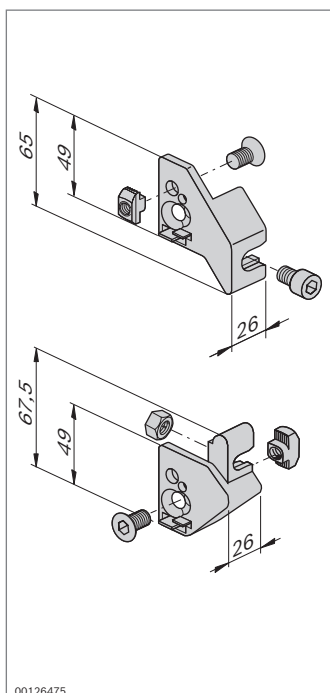
- ▶ Very quick fitting and removal of pre-assembled frames in prepared supporting structures
- ▶ Protection against unintentional lifting out due to both parts of the suspension piece being screwed in
- ▶ Notes on compliance with the Machinery Directive 2006/42/EC: Please note that fastening parts may work loose during disassembly



Suspension piece	P1	P2	No.	FS
Set	45	30	3 842 515 531	4xFS1, 4xFS2, 4xFS3
Set	45	45	3 842 515 863	8xFS2, 4xFS3

Material: diecast zinc

Scope of delivery: Four suspension pieces, incl. fastening material (FS)



Installation elements



Cable duct PA (p. 11-2)



Cable duct AL (p. 11-3)



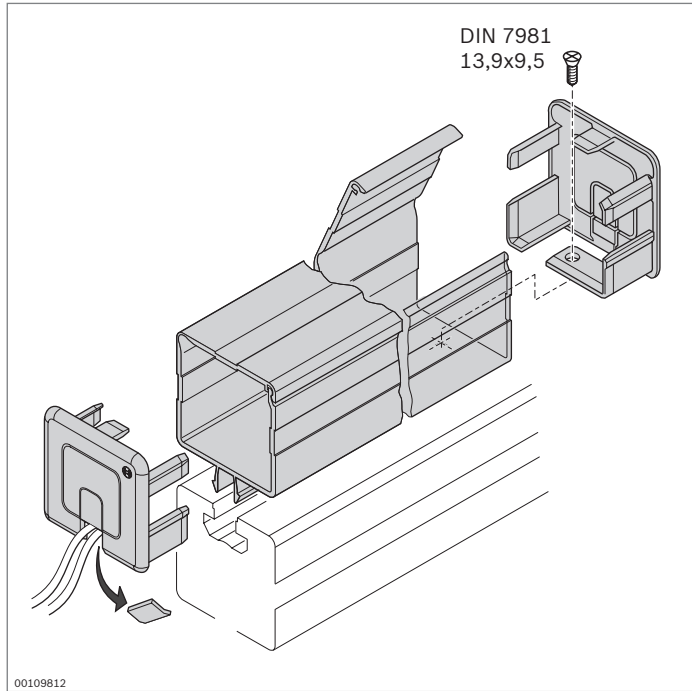
Cable bracket (p. 11-9)



Quick-lock (p. 11-10)

Electrical leads must be neatly laid, because only if they have been installed in an orderly way can electrical faults be easily located and eliminated.

Cable ducts and cable brackets are therefore important elements in terms of maintenance-friendly electrical installation on all kinds of constructions made of basic mechanical elements.



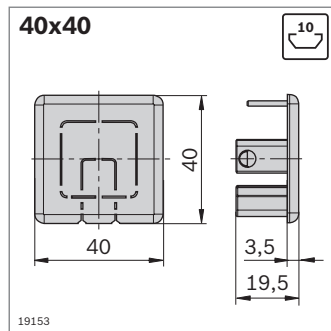
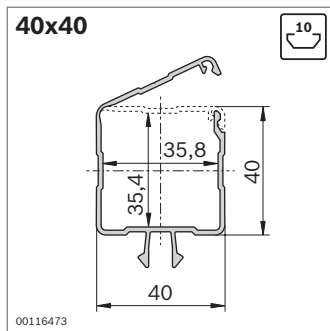
Cable duct



- ▶ Cable duct for routing electrical lines
- ▶ Captive cover
- ▶ Really easy to access
- ▶ Large usable volume
- ▶ Simple, fast assembly – just clips into the 10 mm slot
- ▶ Cover cap for sealing the cable duct with pre-punched holes for running cables through

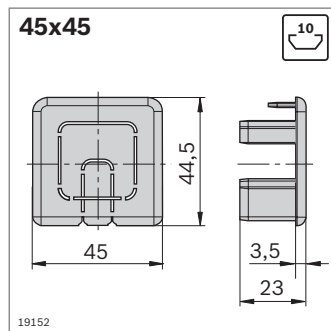
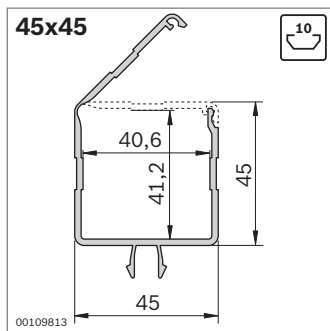
Accessories, required:

Screw DIN 7981 3.9 x 9.5 for fastening the cover cap on the cable duct



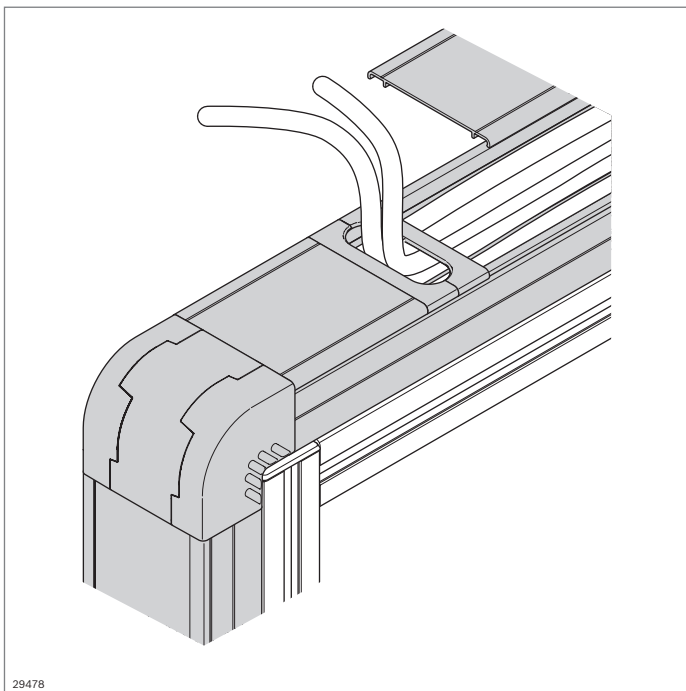
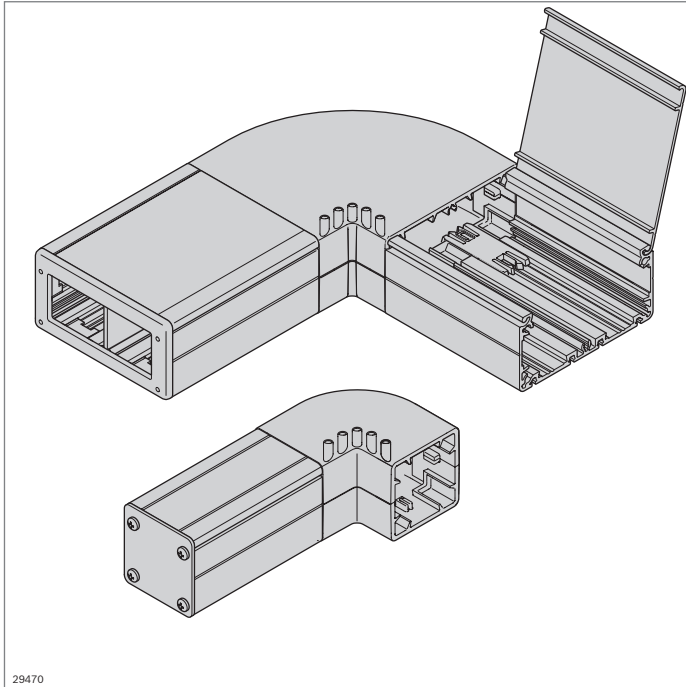
	L (mm)		No.
Cable duct 40x40	2000	1	3 842 532 363
Cover cap 40x40		10	3 842 535 921

Material: Cable duct: PVC, black
Cover cap: PA; black



	L (mm)		No.
Cable duct 45x45	2000	1	3 842 523 014
Cover cap 45x45		10	3 842 535 676

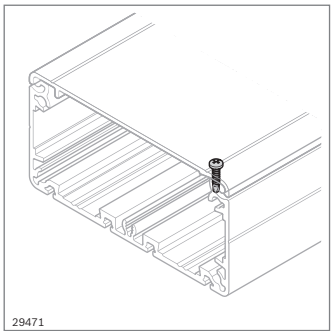
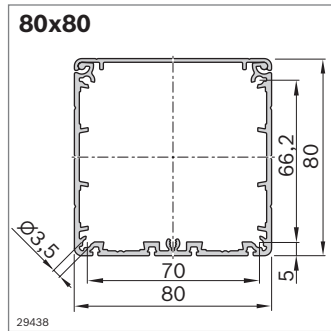
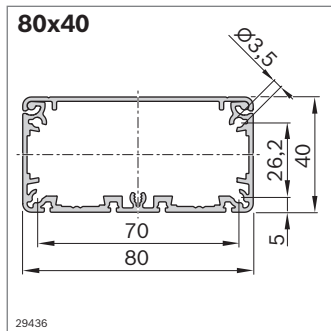
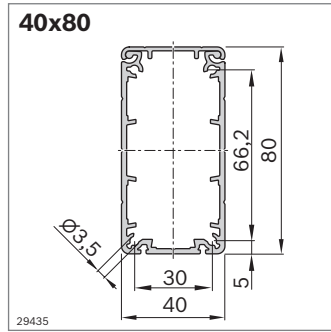
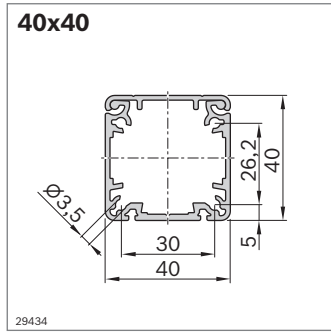
Material: Cable duct: PVC, black
Cover cap: PA; black



Aluminum cable duct



- ▶ Can be either clipped or screwed onto the support profile
- ▶ Sizes 40x40, 40x80, 80x40, 80x80
- ▶ Drilling aids for easy machining
- ▶ Dovetail attachment option
- ▶ Suitable for installing on profiles with modular dimensions of 40 and 45 mm
- ▶ Interior can be divided into sections (size 80x40 and 80x80) for laying different electric cables (EMC) or lines
- ▶ ESD-conductive
- ▶ High-quality, attractive-looking external finish due to anodized duct surface and cover plate
- ▶ Edge protector for protecting the cables/lines from being damaged on rough edges
- ▶ PG screw fastenings possible in the side wall and cover plate (mechanical finishing)
- ▶ Fitting of sockets, switches etc. possible (mechanical finishing)
- ▶ Screw holes for secure fastening of the cover plate
- ▶ Cable duct cover can be screwed to the bearing/support structure
- ▶ VDE certified
- ▶ Compliant with DIN EN 50085-1 and 50085-2-1 standards



Aluminum cable duct

- ▶ Cable duct pre-assembled (cover and bearing/support structure)
- ▶ Usable length 3000 mm (delivered in 3100 mm lengths)
- ▶ Cover can be secured with a self-tapping screw

Accessories, optional: self-tapping screw **3 842 552 267**

Cable duct with AL cover plate	ESD	L (mm)	No.
12 pcs 40x40		3000	3 842 552 268
12 pcs 40x80		3000	3 842 552 270
12 pcs 80x40		3000	3 842 552 273
6 pcs 80x80		3000	3 842 552 275

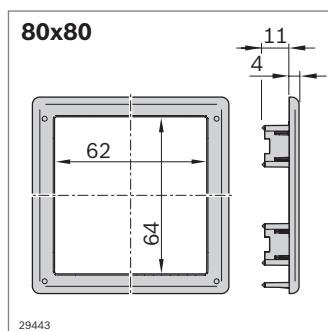
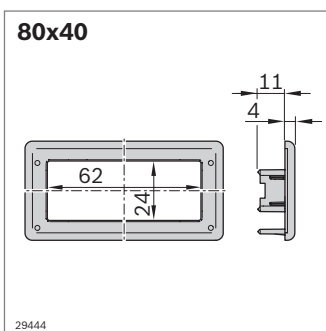
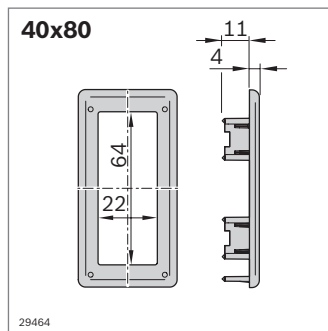
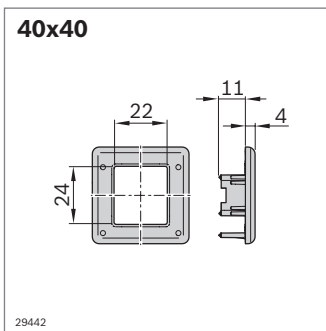
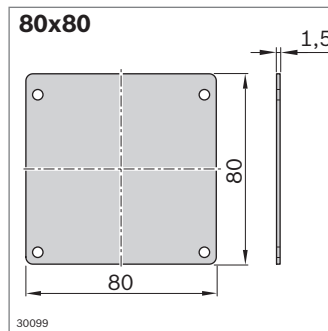
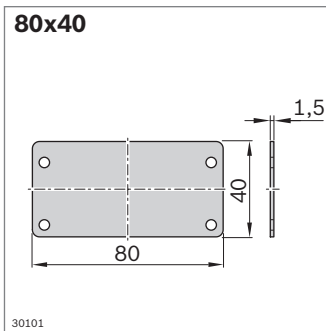
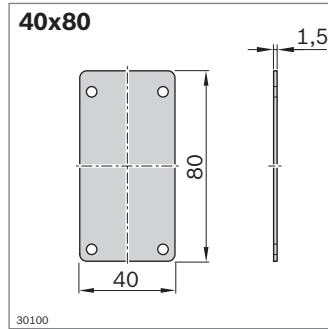
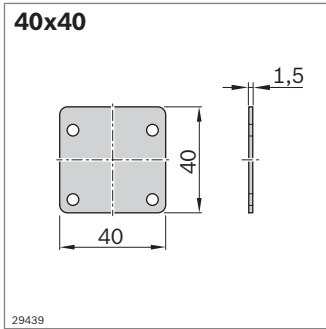
Material: aluminum, anodized

Self-tapping screw

- ▶ For securing the cover plate on the cable duct
- ▶ Produces conductive connection between the cover plate and cable duct

Self-tapping screw	ESD	No.
Ze. Pi. 3.5 x 9.5		10 3 842 552 267

Material: steel; galvanized



Cover plate

- ▶ Seals the end face of the cable duct
- ▶ Fastened securely with screws
- ▶ Openings for PG screw fastenings can be provided through mechanical finishing

Cover plate	ESD	No.
40x40	⚠	10 3 842 552 249
40x80	⚠	10 3 842 552 250
80x40	⚠	10 3 842 552 251
80x80	⚠	10 3 842 552 252

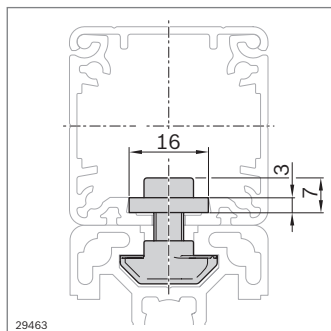
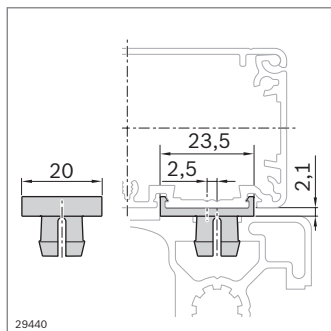
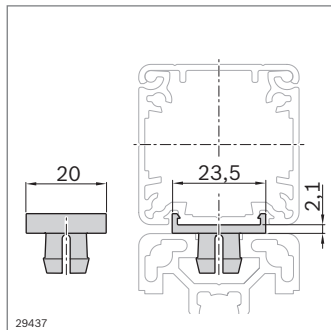
Material: Cover plate: aluminum, anodized
 Pressed edges: aluminum, plain
 Screw: steel; galvanized
 Scope of delivery: Cover plate incl. fastening screws

Edge protector

- ▶ Used to protect the cables if there is an end-face cable outlet
- ▶ Can be pushed and also screwed into position
- ▶ Can be used to protect the cable at lateral outlets

Edge protector	No.
40x40	10 3 842 552 253
40x80	10 3 842 552 254
80x40	10 3 842 552 255
80x80	10 3 842 552 256

Material: PP; signal gray RAL 7004



Mounting base

- ▶ For machining-free mounting of the cable duct on the support profile
- ▶ Insulates the cable duct from the support profile

Symmetrical mounting base

- ▶ “Symmetrical” design for central mounting of the cable duct on profiles with just one slot on the mounting side, and on multi-slot profiles with 40 mm modular dimension

Mounting base	ESD	No.
Symmetrical	10	3 842 552 247

Material: PA; signal gray RAL 7004

Asymmetrical mounting base

- ▶ “Asymmetrical” design for central mounting on profiles with multiple slots on the mounting side and 45 mm modular dimension

Mounting base	ESD	No.
Asymmetrical	10	3 842 552 248

Material: PA; signal gray RAL 7004

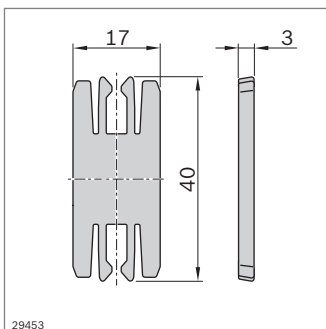
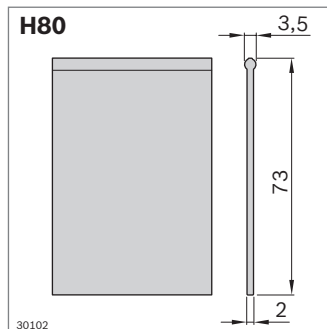
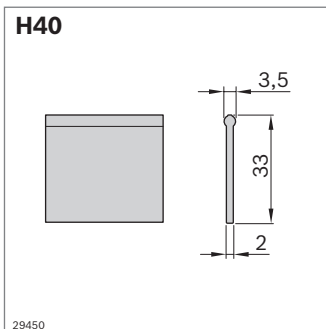
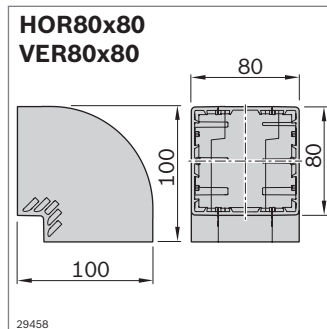
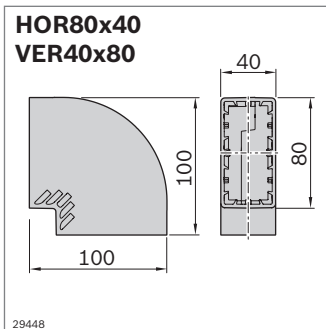
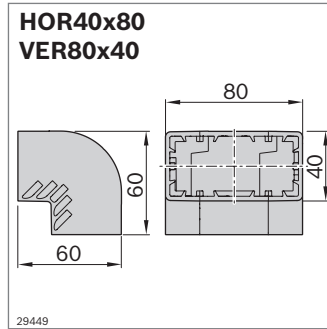
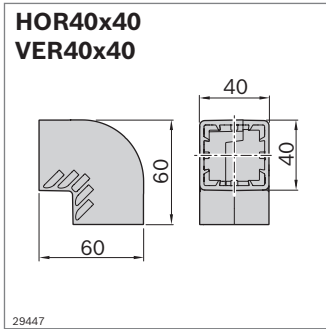
Fastening kit

- ▶ For screwing the cable duct to the support profile
- ▶ Secure force transmission without deformation of the mounting surface
- ▶ Cable duct has to be drilled (diameter: 6.4 mm)
- ▶ Recommendation: insert every 500 mm

Fastening kit	ESD	No.
10	10	3 842 548 997

Material: Steel; galvanized

Scope of delivery: Insert sheet; T-nut M6, 10 mm slot; screw M6x16



Curve

- ▶ 90° curve in horizontal and vertical direction
- ▶ Modular design
- ▶ Cable ducts connected together with push-in connecting elements
- ▶ Cable ducts can be made conductive by using supplied potential equalizing cable

Curve	No.
HOR40x40; VER40x40	1 3 842 552 257
HOR40x80; VER80x40	1 3 842 552 258
HOR80x40; VER40x80	1 3 842 552 259
HOR80x80; VER80x80	1 3 842 552 260

Material: PP; signal gray RAL 7004

Scope of delivery: Curve, connecting elements, potential equalizing cable

Dividing strip

- ▶ Divides the cable duct into 2 chambers for carrying different electric cables, e.g. electricity and data cables
- ▶ Push-in installation
- ▶ Bendable, so it can also be used on curves

Dividing strip	No.
H40 L=3000 mm	10 3 842 552 245
H80 L=3000 mm	10 3 842 552 246

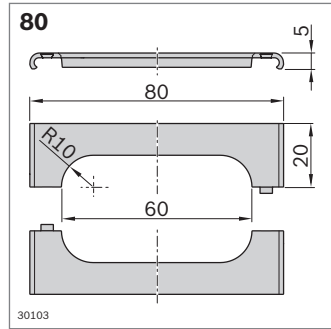
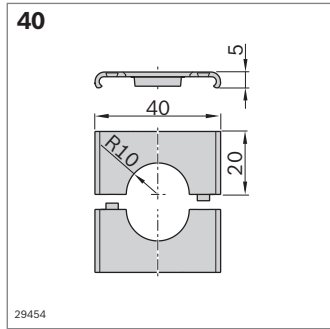
Material: PP; signal gray RAL 7004

Connecting element

- ▶ Extension of ends of cable ducts
- ▶ For connecting cable duct with curve
- ▶ ESD-conductivity of both cable ducts can be established by using an overlapping cover and self-tapping screw (p. 11-4)

Connecting element	No.
	10 3 842 552 240

Material: PA; signal gray RAL 7004

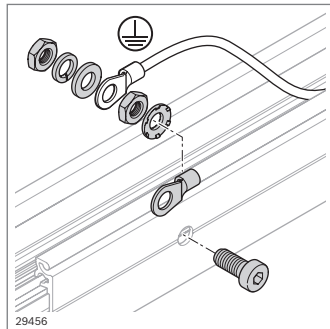


Cable hole

- For passing cables through within the cover

Cable hole		No.
40	10	3 842 553 973
80	10	3 842 553 974

Material: PP; signal gray RAL 7004

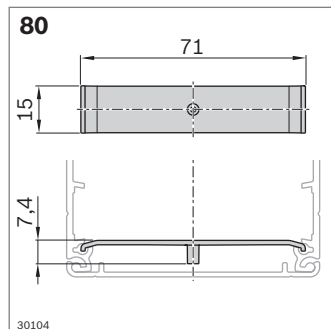
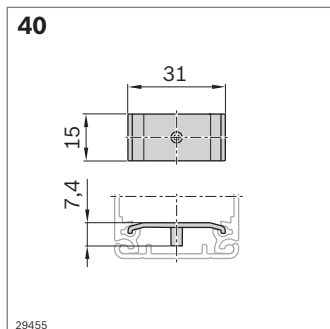


Potential equalizer

- DIN EN 0100-410 compliant:
- For connecting the cable duct to an earthed protective conductor

Potential equalizer		No.
10	10	3 842 552 263

Material: steel; galvanized

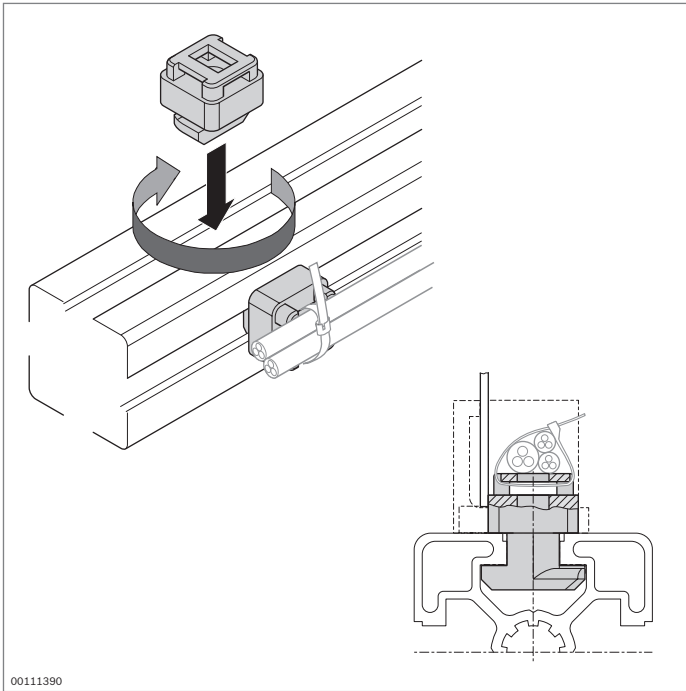


Cable holder

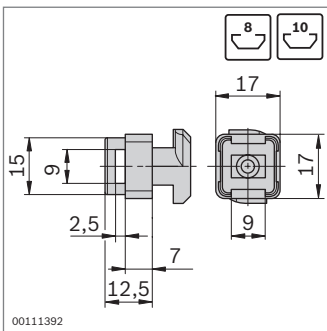
- For fixing the cable in the cable duct in the case of overhead mounting
- Recommendation: insert every 200 mm

Cable holder		No.
40	10	3 842 552 265
80	10	3 842 552 266

Material: PA6; signal gray RAL 7004



00111390



00111392

Cable bracket



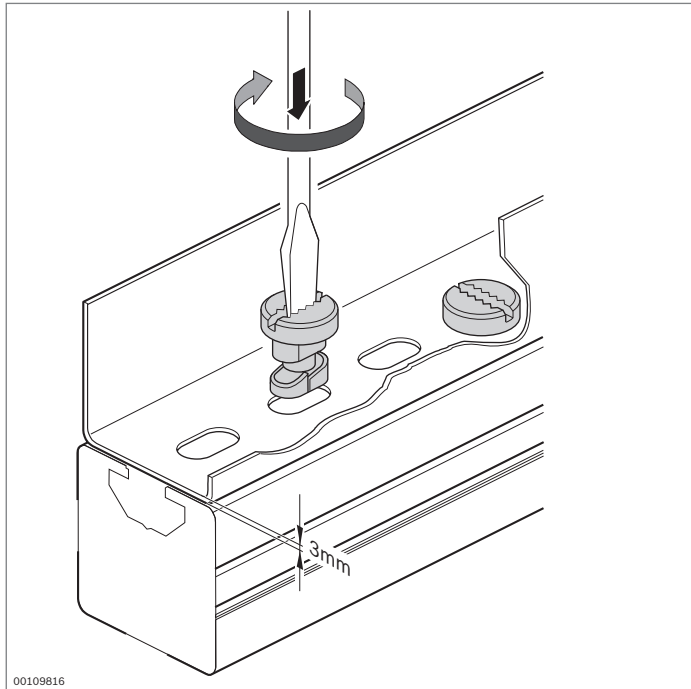
- ▶ Cable bracket for fastening individual cables with cable ties
- ▶ For use behind panels or screens
- ▶ Dimensioned to match the Variofix block for slot 10 mm

Accessories, required:

Cableties

Cable bracket	Slot	No.	
	8	100	3 842 526 565
	10	100	3 842 526 564

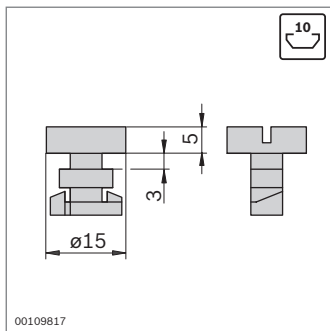
Material: PA; black



Quick-lock



- Quick-lock for fastening standard commercially available cable ducts



Quick-lock	No.
	100 3 842 146 920

Material: PA; black

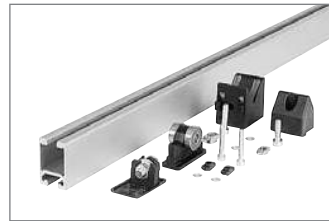
Elements for manual movement



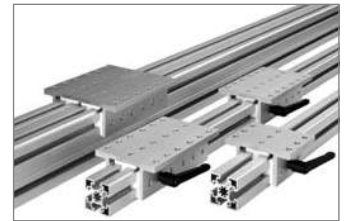
Slide hangers, spring hooks
(p. 12-2)



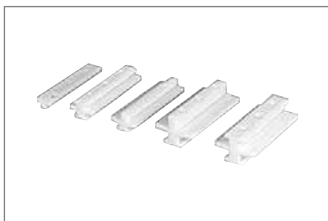
Sliders for surface element
(p. 12-3)



Components for sliding door
(p. 12-4)



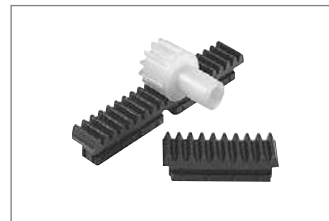
EcoSlide (p. 12-6)



Sliders for profiles (p. 12-13)



Support rollers (p. 12-17)



Rack, pinion (p. 12-18)



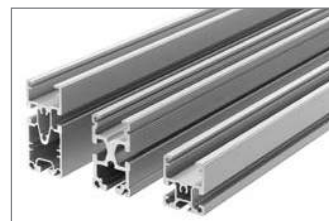
Conveyor track Lean (p. 12-20)



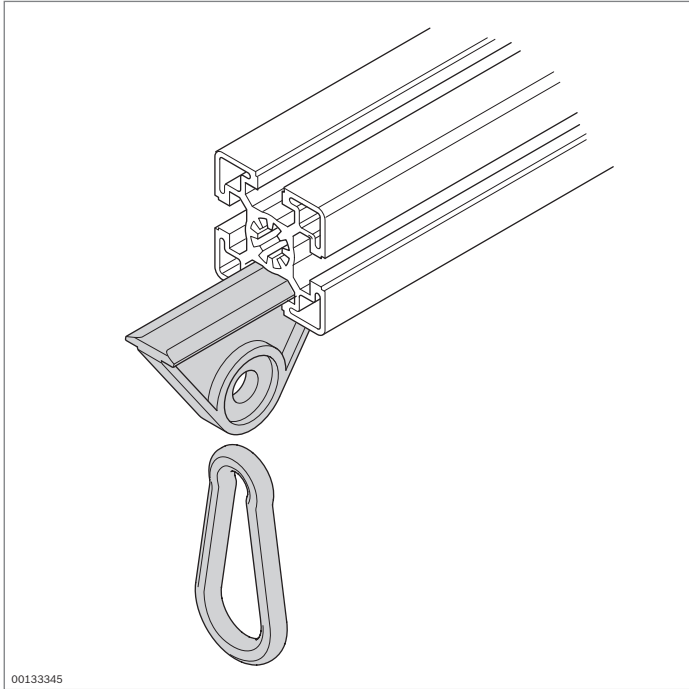
Conveyor track XLean
(p. 12-25)



EcoFlow conveyor track
(p. 12-28)



Profiles for installing conveyor media (p. 12-34)



Slide hanger Spring hook



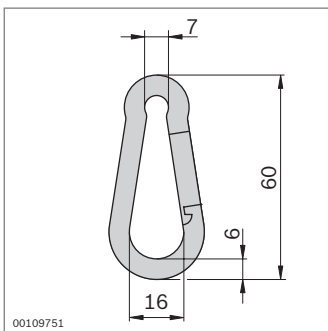
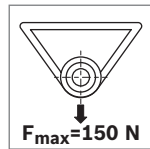
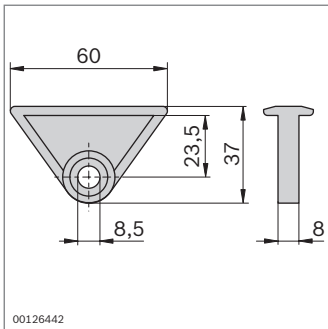
Slide hanger

- ▶ Slide hanger as an inexpensive solution for sliding tool hangers
- ▶ Maximum load: 150 N
- ▶ Guide in the 10 mm profile slot
- ▶ Sliding block can be used as a stopper

Accessories: Sliding block as stopper (p. 3-9)

Spring hook

- ▶ Spring hook for fastening tools to the slide hanger:
 - Quick and easy to change

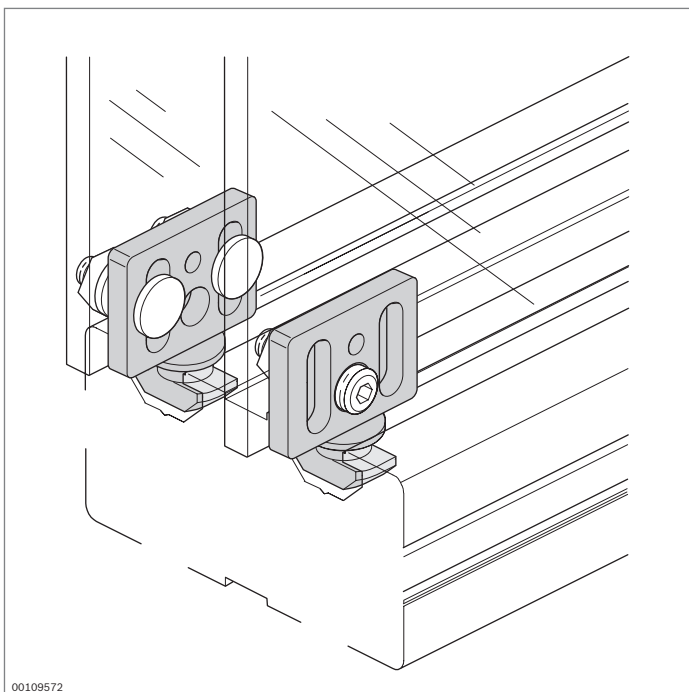


Slide hanger	No.
	3 842 218 953

Material: POM; natural

Spring hook	No.
	0 842 901 309

Material: steel; galvanized



00109572

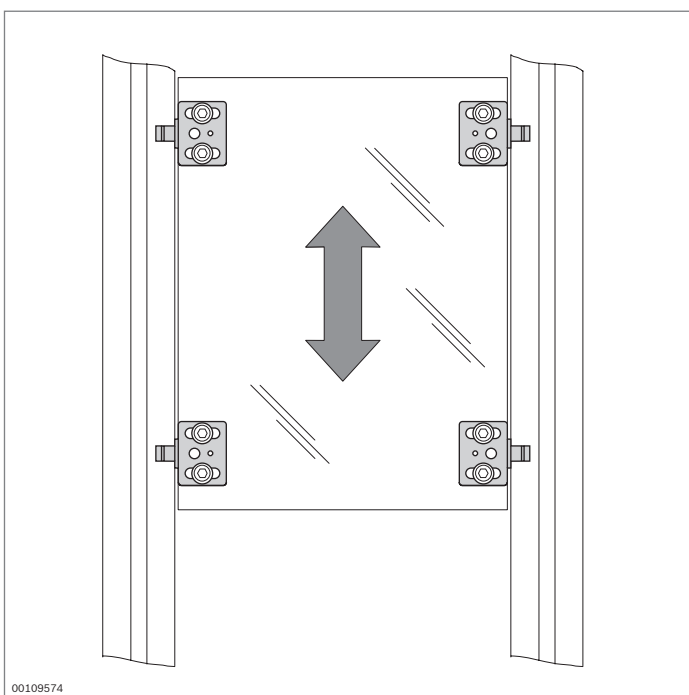
Slider for surface elements



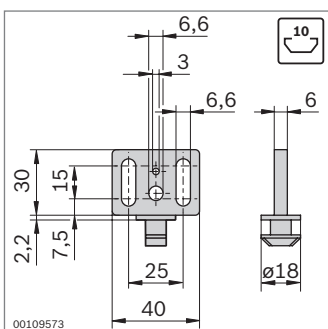
- ▶ For the construction of sliding and lifting doors
- ▶ Good functional reliability
- ▶ For any thickness of the surface element or aluminum profile frame

Accessories, required:
screws and nuts/sliding blocks for fastening the surface elements

Accessories, optional:
counterbalance in the case of lifting doors (see p. 9-2)



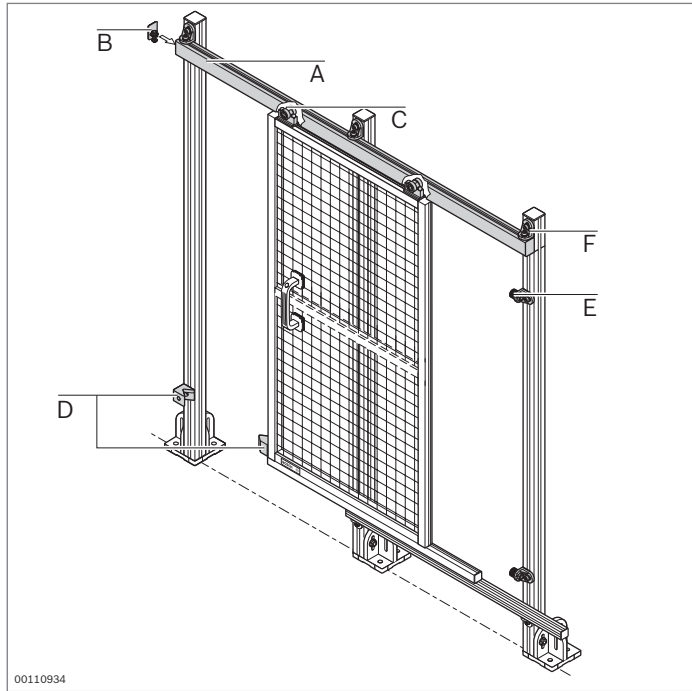
00109574



00109573

Slider	No.
	10 3 842 530 303

Material: POM; black



Components for sliding door



- Components for constructing sliding doors of different dimensions

A

$A = 4,4 \text{ cm}^2$
 $I_x = 10,3 \text{ cm}^4$
 $I_y = 5,6 \text{ cm}^4$
 $W_x = 4,2 \text{ cm}^3$
 $W_y = 3,7 \text{ cm}^3$
 $m = 1,2 \text{ kg/m}$

30348

- Profile rail for trolley suspension

Profile rail	L (mm)	No.
1 pc	40 ... 5600	3 842 992 946 / L
20 pcs	5600	3 842 523 598
1 pc	5600	3 842 523 599

Material: Aluminum, natural, anodized
 Accessories: Bracket set R28x38 for fastening to strut profiles with 10 mm slot (p. 12-5)

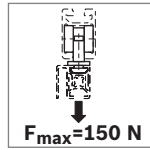
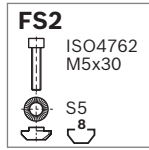
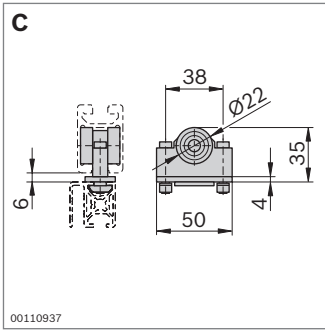
B

FS1

- Profile rail end piece for use as cover cap with stop
- With screw protection

End piece	No.	FS
20	3 842 521 513	FS1

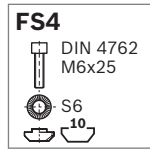
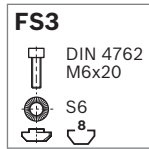
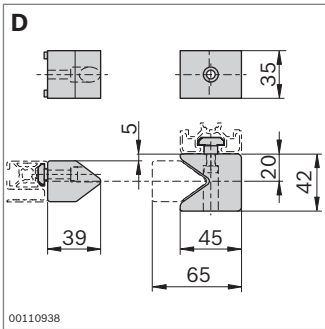
Material: End piece: PA; black
 Fastening material: steel, galvanized
 Scope of delivery: Incl. fastening material (FS)



- ▶ Trolley with dust-proof ball bearings for smooth sliding motion

Trolley	No.	FS
	3 842 524 153	2xFS2

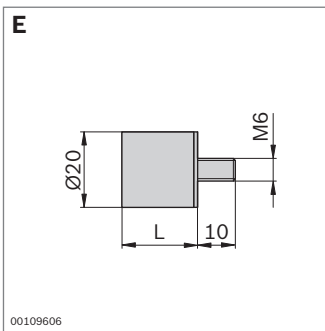
Material: PA, black / steel, galvanized
 Fastening material: steel, galvanized
 Scope of delivery: Incl. fastening material (FS)



- ▶ Stop kit for damped closing of the sliding door

Stop kit	No.	FS
	3 842 524 490	FS3, FS4

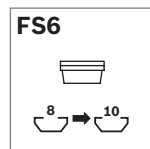
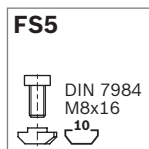
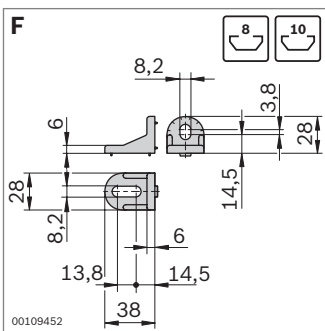
Material: PA, black
 fastening material: steel, galvanized
 Scope of delivery: Incl. fastening material (FS)



- ▶ Bumper for a damped stop

Bump stop	L (mm)	No.
	20	10 3 842 510 462

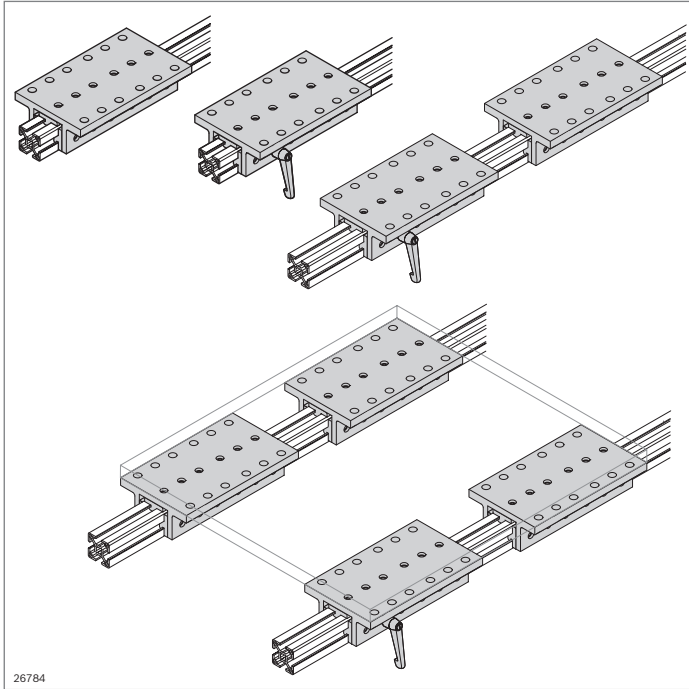
Material: Rubber; hardness 55° shore A
 Accessories: Bracket set R28x38 for fastening to strut profiles with 10 mm slot



- ▶ Bracket for fastening the profile rail to strut profiles with 10 mm slot

Bracket set	Slot	ESD	No.	FS
R28x38 set (standard)	10 / 10		3 842 521 580	2xFS5, 4xFS6

Material: Diecast zinc
 Fastening material: steel, galvanized
 Scope of delivery: Incl. fastening material (FS)

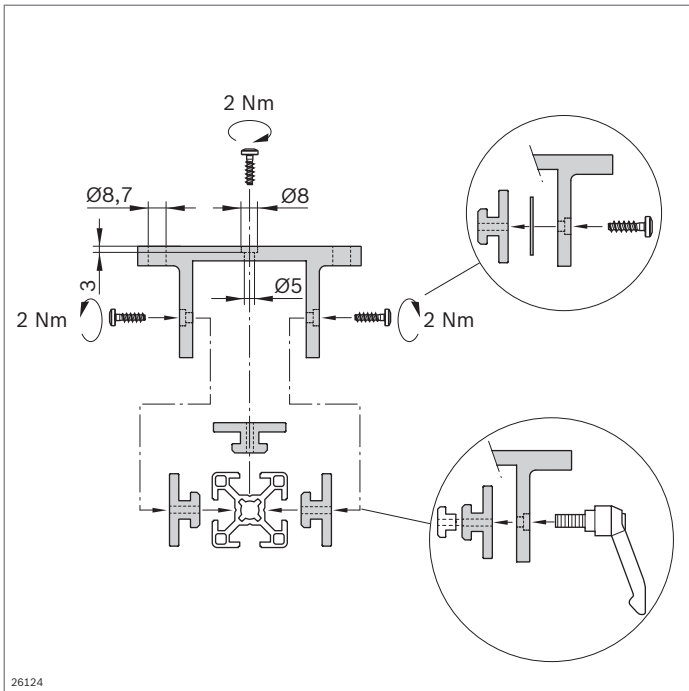


26784

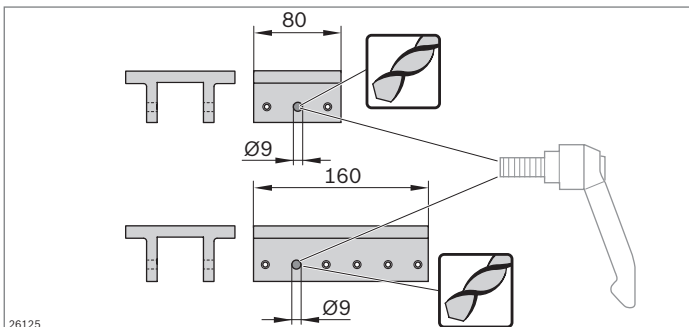
EcoSlide



- ▶ Economical linear sliding carriage for horizontal applications
- ▶ Runs on sliders for maximal load capacity
- ▶ Slider with low moisture absorption, suitable for rough usage conditions
- ▶ Available for profile widths of 30/45/60/90
- ▶ Clamping lever (optional) for arresting in any position
- ▶ Easy to assemble
- ▶ Spacer washer for tolerance adjustment (carriage/profile)



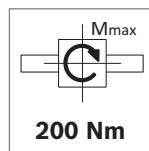
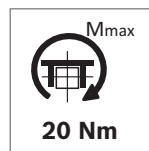
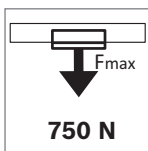
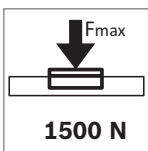
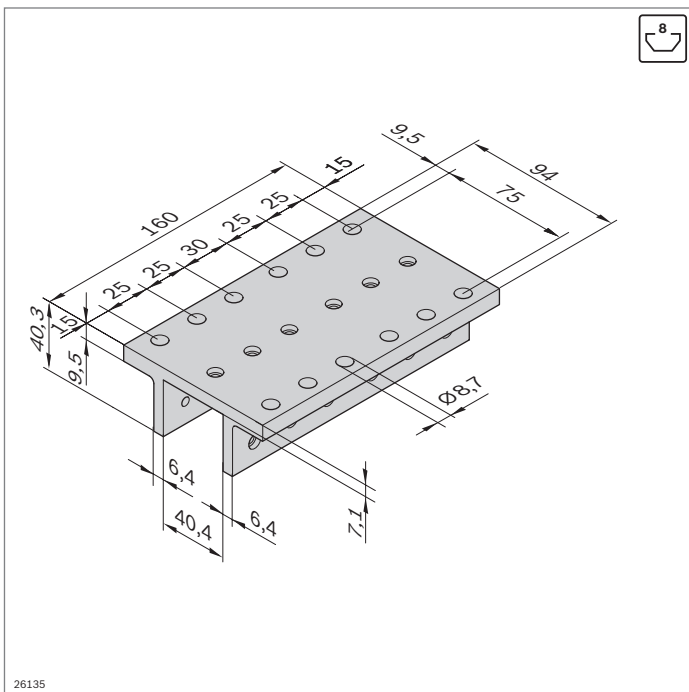
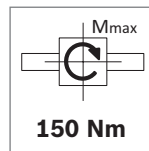
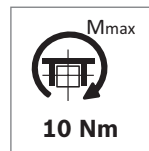
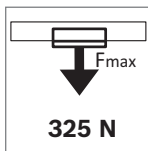
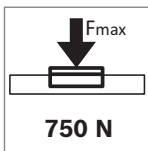
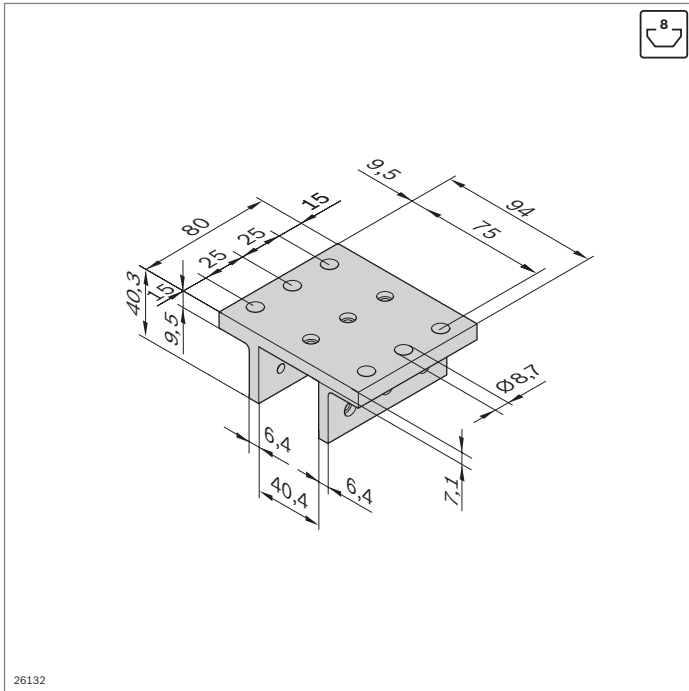
26124



26125

Machining tip

To install the clamping lever, the corresponding 9 mm hole must be drilled in the trolley.



EcoSlide 30x30x80

- ▶ For use with profile width 30 mm
- ▶ Maximum sliding speed: 12 m/min

Trolley 30x30x80	No.
	1 8 981 535 476

Material: aluminum, anodized

Accessories

	No.		Page
		Qty.	Qty.
Slider, groove 8 mm flat	10 3 842 523 212	3	2 12-13
Slider, groove 8 mm flat lockable	1 3 842 552 423	—	1 12-11
Spacer washer, slot 8 mm	4 8 981 535 891	X ¹⁾	X ¹⁾ 12-12
Screw W1451 - 3.5x14 - 10.9	10 3 842 552 421	9	8 12-12
Clamping lever, 20 mm	1 3 842 516 846	—	1 4-12
Sliding block, slot 8 mm; M8	100 3 842 514 931	—	1 3-9

¹⁾ If required

EcoSlide 30x30x160

- ▶ For use with profile width 30 mm
- ▶ Maximum sliding speed: 12 m/min

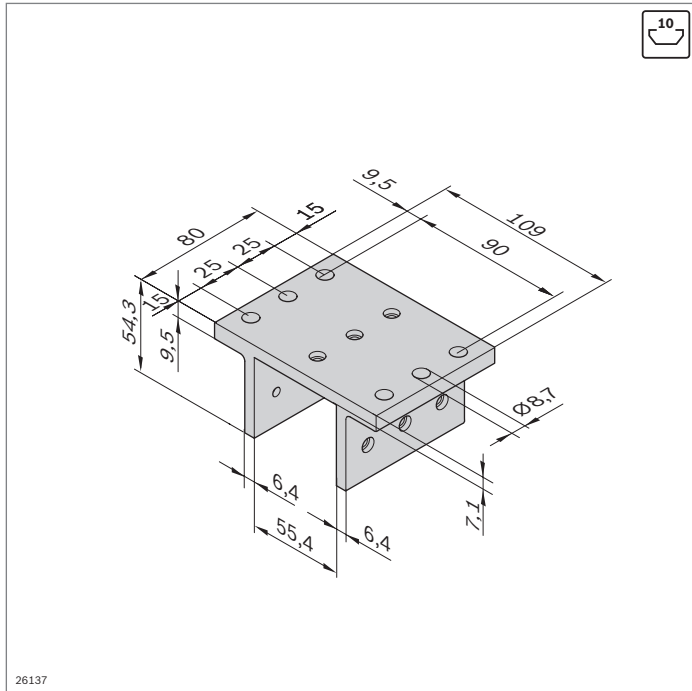
Trolley 30x30x160	No.
	1 8 981 535 477

Material: Aluminum, anodized

Accessories

	No.		Page
		Qty.	Qty.
Slider, groove 8 mm flat	10 3 842 523 212	6	5 12-13
Slider, groove 8 mm flat lockable	1 3 842 552 423	—	1 12-11
Spacer washer, slot 8 mm	4 8 981 535 891	X ¹⁾	X ¹⁾ 12-12
Screw W1451 - 3.5x14 - 10.9	10 3 842 552 421	18	17 12-12
Clamping lever, 20 mm	1 3 842 516 846	—	1 4-12
Sliding block, slot 8 mm; M8	100 3 842 514 931	—	1 3-9

¹⁾ If required



EcoSlide 45x45x80

- ▶ For use with profile width 45 mm
- ▶ Maximum sliding speed: 12 m/min

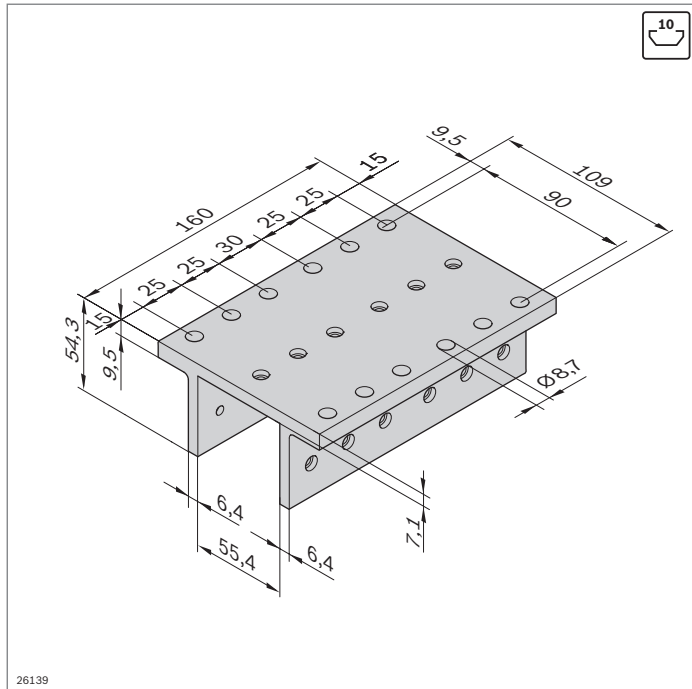
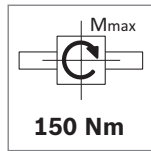
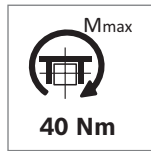
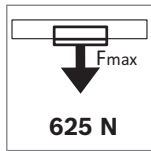
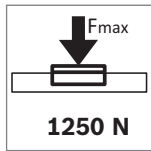
Trolley 45x45x80	No.
	1 8 981 535 323

Material: aluminum, anodized

Accessories

	No.		Qty.	Qty.	Page
Slider, slot 10 mm flat	10 3 842 530 329		3	2	12-13
Slider, slot 10 mm flat lockable	1 3 842 552 424		—	1	12-11
Spacer washer, slot 10 mm	4 8 981 535 890		X ¹⁾	X ¹⁾	12-12
Screw W1452 - 4x18 - 10.9	10 3 842 552 422		9	8	12-12
Clamping lever, 20 mm	1 3 842 516 846		—	1	4-12
Sliding block, slot 10 mm; M8	100 3 842 528 735		—	1	3-9

1) If required



EcoSlide 45x45x160

- ▶ For use with profile width 45 mm
- ▶ Maximum sliding speed: 12 m/min

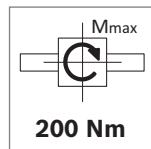
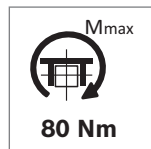
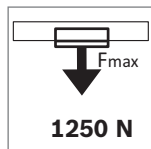
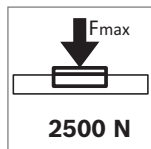
Trolley 45x45x160	No.
	1 8 981 535 324

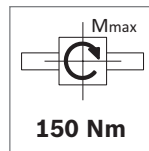
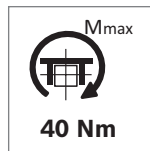
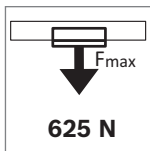
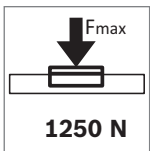
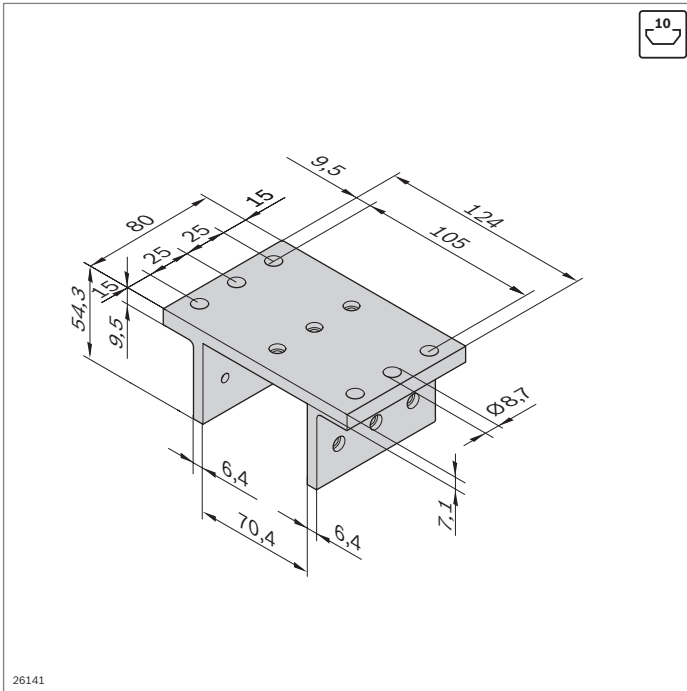
Material: Aluminum, anodized

Accessories

	No.		Qty.	Qty.	Page
Slider, slot 10 mm flat	10 3 842 530 329		6	5	12-13
Slider, slot 10 mm flat lockable	1 3 842 552 424		—	1	12-11
Spacer washer, slot 10 mm	4 8 981 535 890		X ¹⁾	X ¹⁾	12-12
Screw W1452 - 4x18 - 10.9	10 3 842 552 422		18	17	12-12
Clamping lever, 20 mm	1 3 842 516 846		—	1	4-12
Sliding block, slot 10 mm; M8	100 3 842 528 735		—	1	3-9

1) If required





EcoSlide 45x60x80

- ▶ For use with profile width 60 mm
- ▶ Maximum sliding speed: 12 m/min

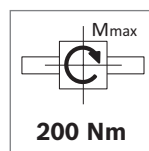
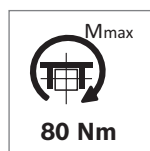
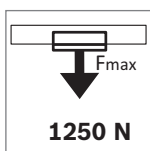
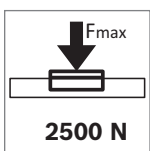
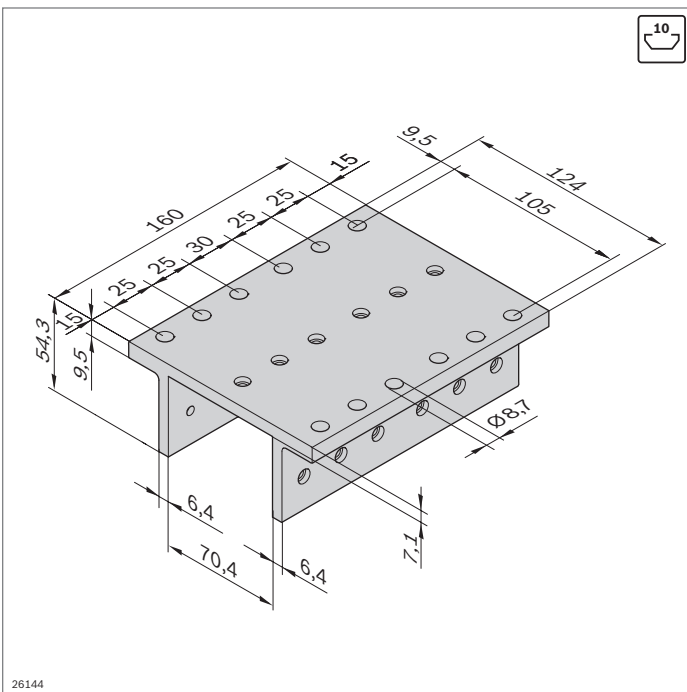
Trolley 45x60x80	No.
	1 8 981 535 478

Material: aluminum, anodized

Accessories

	No.	Qty.	Qty.	Page
Slider, slot 10 mm flat	10 3 842 530 329	3	2	12-13
Slider, slot 10 mm flat lockable	1 3 842 552 424	—	1	12-11
Spacer washer, slot 10 mm	4 8 981 535 890	X ¹⁾	X ¹⁾	12-12
Screw W1452 - 4x18 - 10.9	10 3 842 552 422	9	8	12-12
Clamping lever, 20 mm	1 3 842 516 846	—	1	4-12
Sliding block, slot 10 mm; M8	100 3 842 528 735	—	1	3-9

¹⁾ If required



EcoSlide 45x60x160

- ▶ For use with profile width 60 mm
- ▶ Maximum sliding speed: 12 m/min

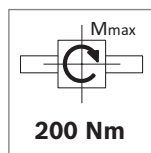
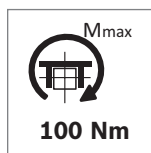
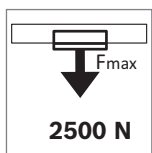
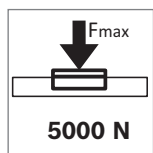
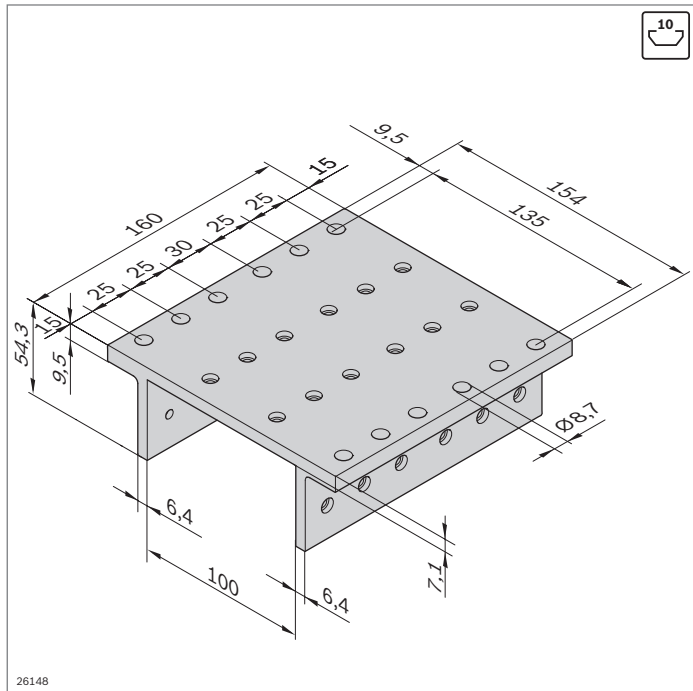
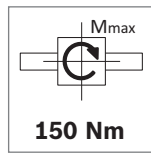
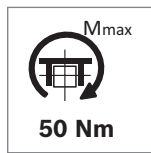
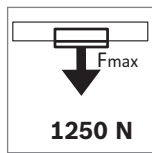
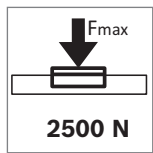
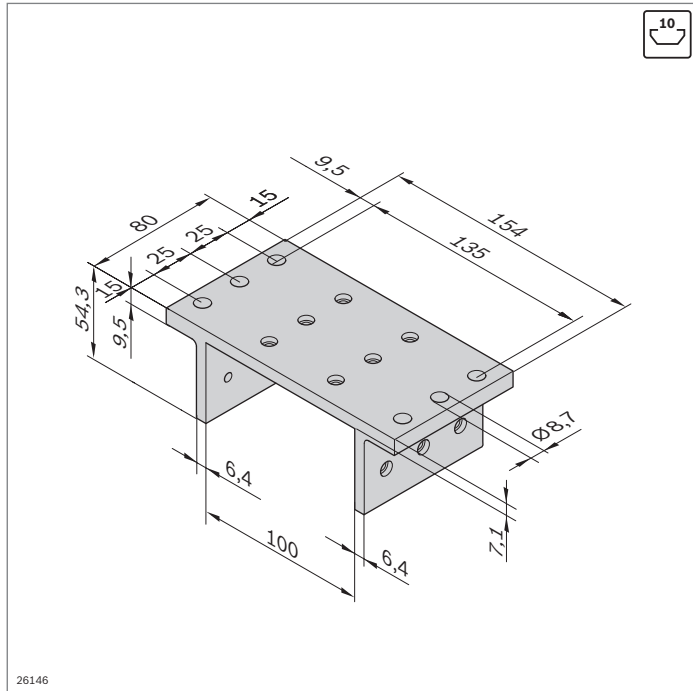
Trolley 45x60x160	No.
	1 8 981 535 479

Material: Aluminum, anodized

Accessories

	No.	Qty.	Qty.	Page
Slider, slot 10 mm flat	10 3 842 530 329	6	5	12-13
Slider, slot 10 mm flat lockable	1 3 842 552 424	—	1	12-11
Spacer washer, slot 10 mm	4 8 981 535 890	X ¹⁾	X ¹⁾	12-12
Screw W1452 - 4x18 - 10.9	10 3 842 552 422	18	17	12-12
Clamping lever, 20 mm	1 3 842 516 846	—	1	4-12
Sliding block, slot 10 mm; M8	100 3 842 528 735	—	1	3-9

¹⁾ If required



EcoSlide 45x90x80

- ▶ For use with profile width 90 mm
- ▶ Maximum sliding speed: 12 m/min

Trolley 45x90x80	No.
	1 8 981 535 325

Material: Aluminum, anodized

Accessories

	No.		Qty.	Qty.	Page
Slider, slot 10 mm flat	10 3 842 530 329		4	3	12-13
Slider, slot 10 mm flat lockable	1 3 842 552 424		—	1	12-11
Spacer washer, slot 10 mm	4 8 981 535 890		X ¹⁾	X ¹⁾	12-12
Screw W1452 - 4x18 - 10.9	10 3 842 552 422		12	11	12-12
Clamping lever, 20 mm	1 3 842 516 846		—	1	4-12
Sliding block, slot 10 mm; M8	100 3 842 528 735		—	1	3-9

¹⁾ If required

EcoSlide 45x90x160

- ▶ For use with profile width 90 mm
- ▶ Maximum sliding speed: 12 m/min

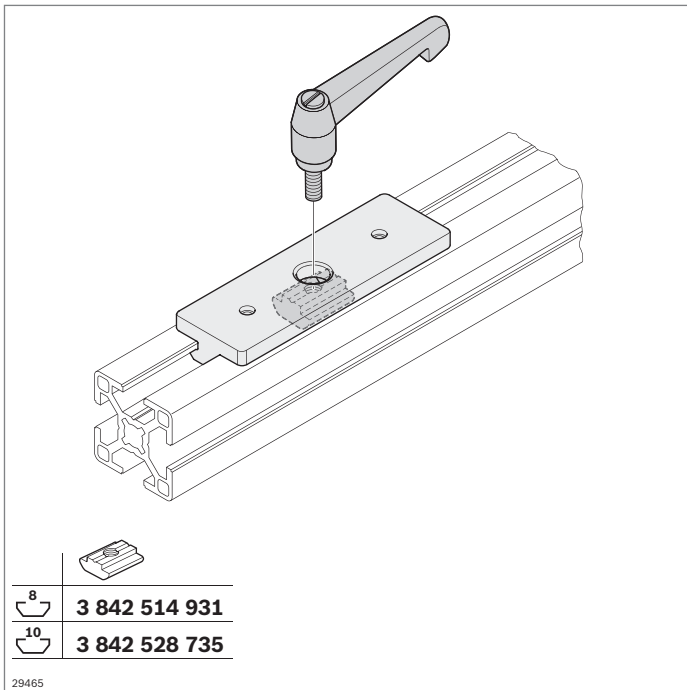
Trolley 45x90x160	No.
	1 8 981 535 326

Material: Aluminum, anodized

Accessories

	No.		Qty.	Qty.	Page
Slider, slot 10 mm flat	10 3 842 530 329		8	7	12-13
Slider, slot 10 mm flat lockable	1 3 842 552 424		—	1	12-11
Spacer washer, slot 10 mm	4 8 981 535 890		X ¹⁾	X ¹⁾	12-12
Screw W1452 - 4x18 - 10.9	10 3 842 552 422		24	23	12-12
Clamping lever, 20 mm	1 3 842 516 846		—	1	4-12
Sliding block, slot 10 mm; M8	100 3 842 528 735		—	1	3-9

¹⁾ If required

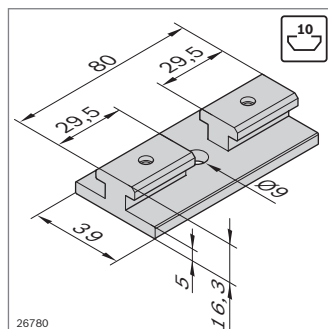
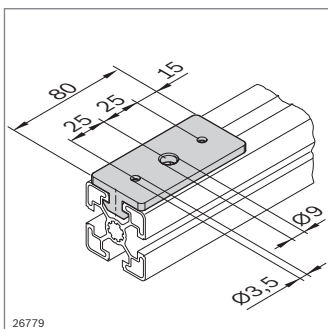
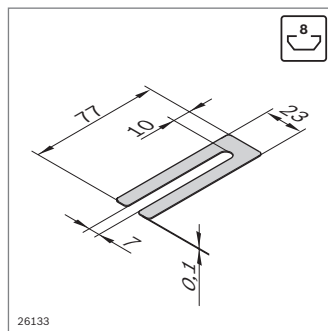
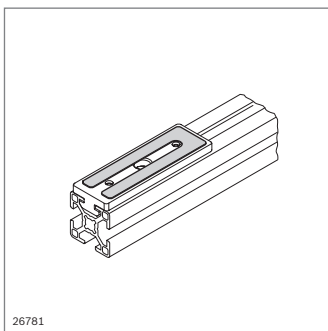
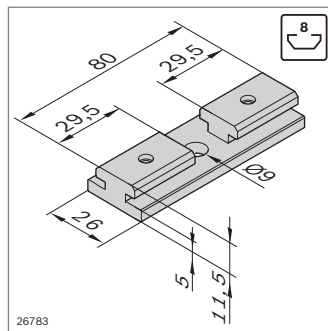
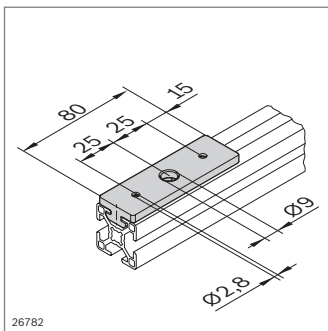


Slider, flat lockable



- ▶ Suitable for clamping using a sliding block and a clamping lever
- ▶ For constructing low-wear guides

Accessories:
Sliding blocks (p. 3-9)



Slider, flat lockable	Slot	No.
	8	1 3 842 552 423

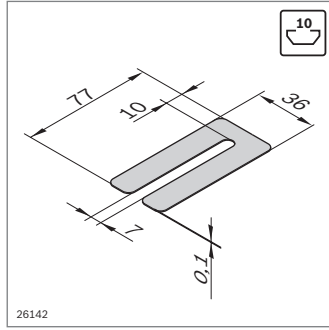
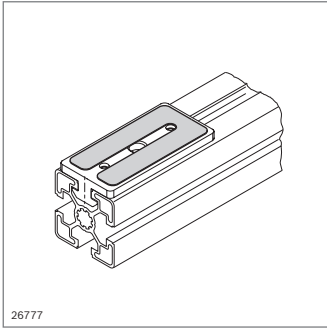
Material: POM; natural
Accessories: Sliding block, T-nut, slot 8 (M8), 3 842 514 931, p. 3-9

Spacer washer	Slot	No.
77x23	8	4 8 981 535 891

Material: Steel, plain

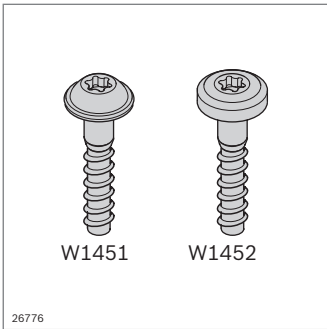
Slider, flat lockable	Slot	No.
	10	1 3 842 552 424

Material: POM; natural
Accessories: Sliding block, T-nut, slot 10 (M8), 3 842 528 735, p. 3-9



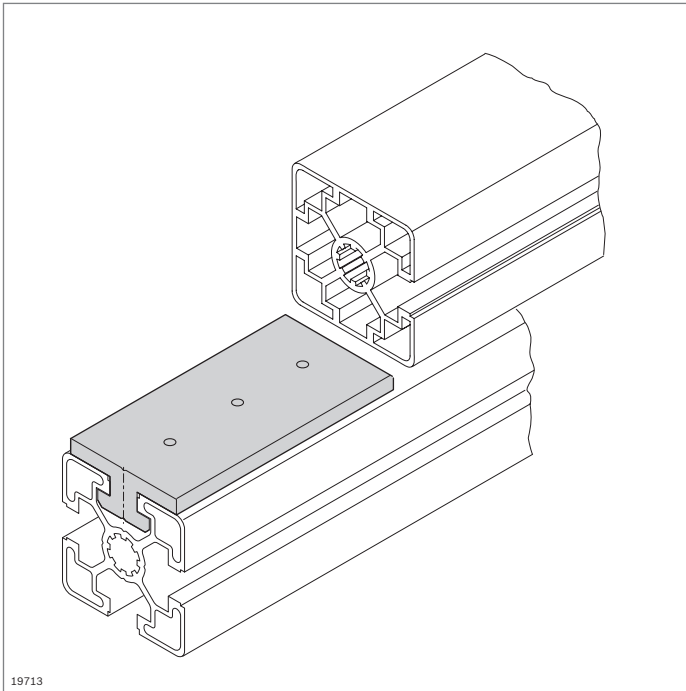
Spacer washer	Slot		No.
77x36	10	4	8 981 535 890

Material: Steel, plain



Plastic self-tapping screw	Slot		No.
W1451 - 3.5x14 - 10.9	8	10	3 842 552 421
W1452 - 4x18 - 10.9	10	10	3 842 552 422

Material: Steel, galvanized



Slider for profiles

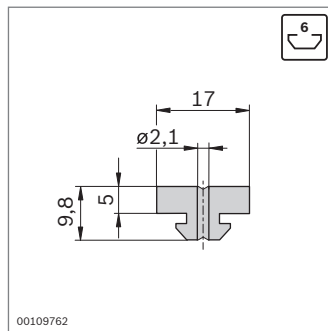
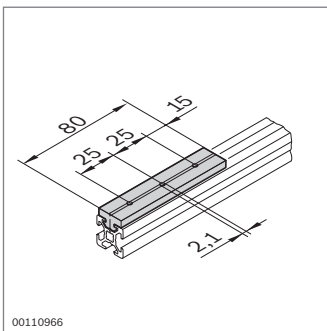


Slider

- For the construction of low-wear guides, e.g. for manual sliding and sliding and lifting doors, as well as drawer slides

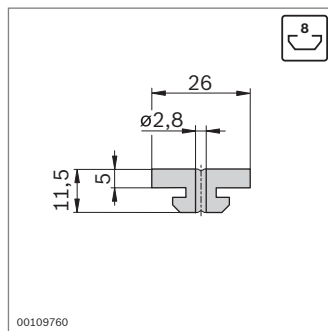
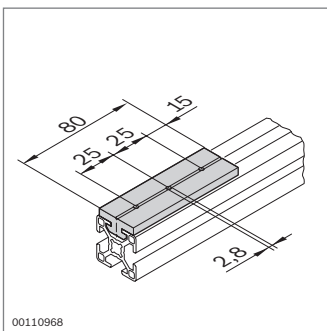
Accessories, optional:

Sheet metal screws for fastening the slider in a profile slot



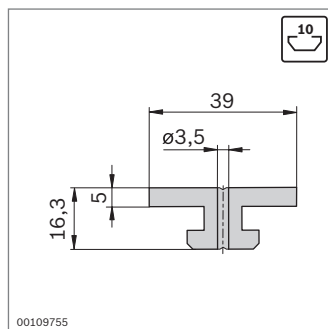
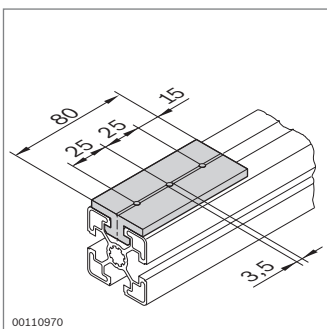
Slider, flat	No.
	10 3 842 523 213

Material: POM; natural



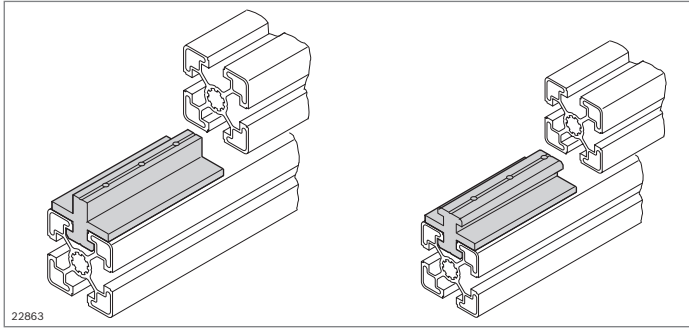
Slider, flat	No.
	10 3 842 523 212

Material: POM; natural

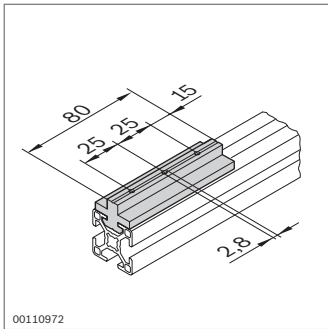


Slider, flat	No.
	10 3 842 530 329

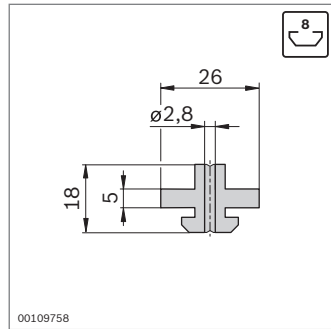
Material: POM; natural



22863



00110972



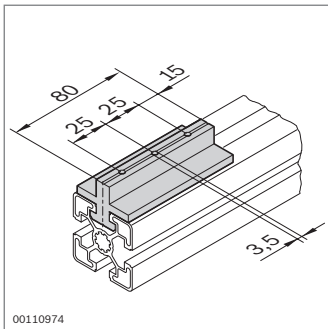
00109758

Slider, center

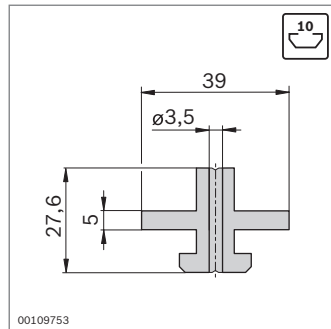
No.

10 **3 842 523 210**

Material: POM; natural



00110974



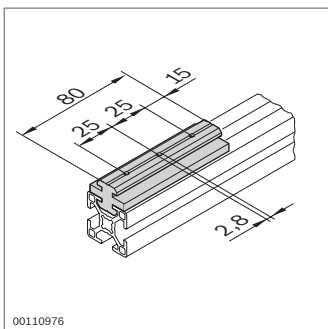
00109753

Slider, center

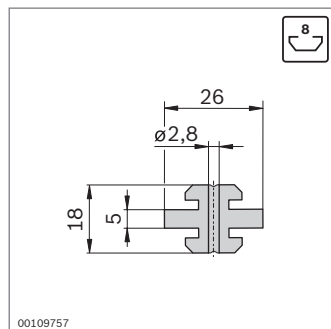
No.

10 **3 842 523 206**

Material: POM; natural



00110976



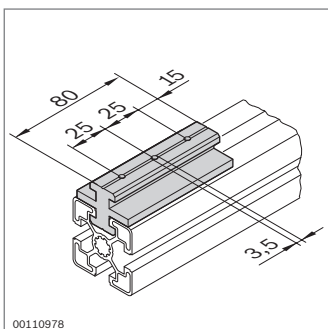
00109757

Slider, center

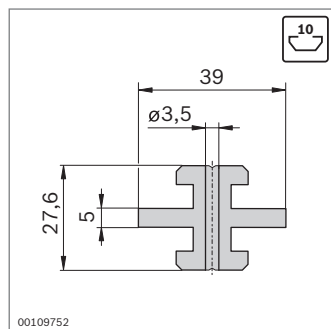
No.

10 **3 842 523 209**

Material: POM; natural



00110978



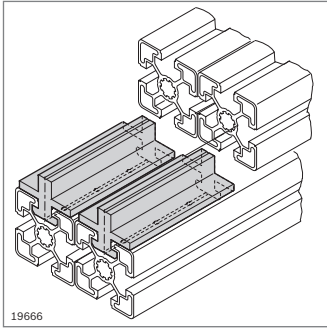
00109752

Slider, center

No.

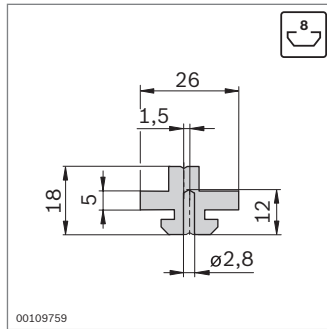
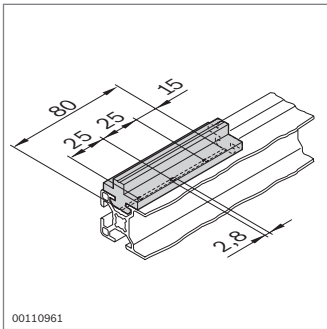
10 **3 842 523 205**

Material: POM; natural



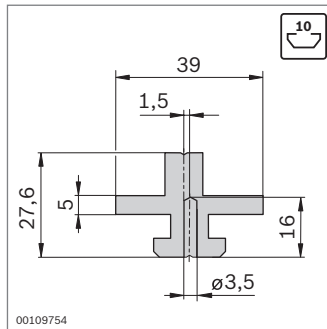
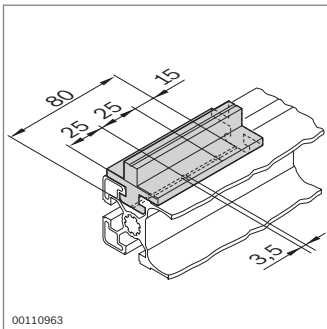
Offset sliders

► For constructing multiple sliding doors



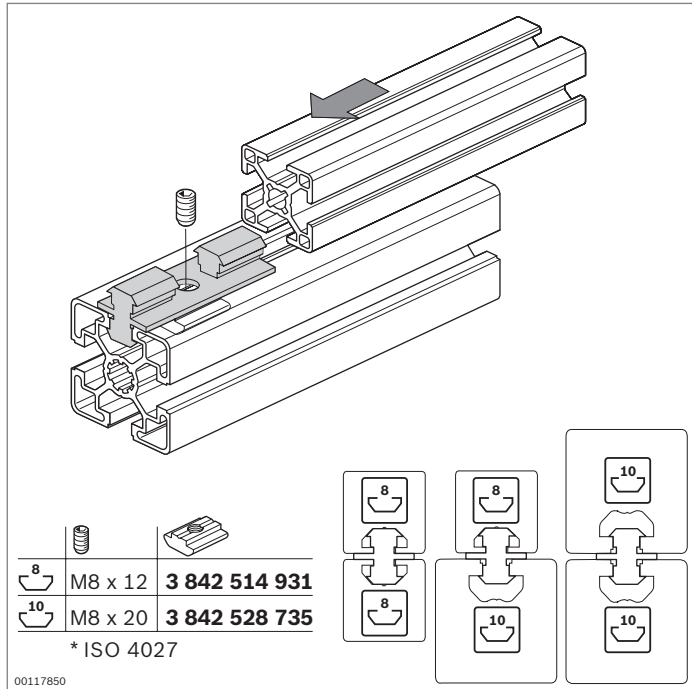
Slider, offset	No.
	10 3 842 523 211

Material: POM; natural



Slider, offset	No.
	10 3 842 523 207

Material: POM; natural



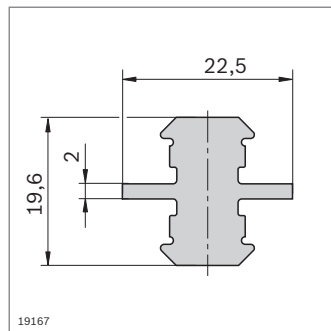
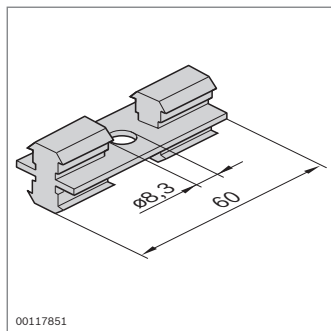
Multi-slider



- ▶ Multi-slider for constructing low-wear guides
- ▶ Suitable for all profiles with 8 mm and 10 mm slot widths
- ▶ Combination of profiles with different slot widths possible

Accessories:

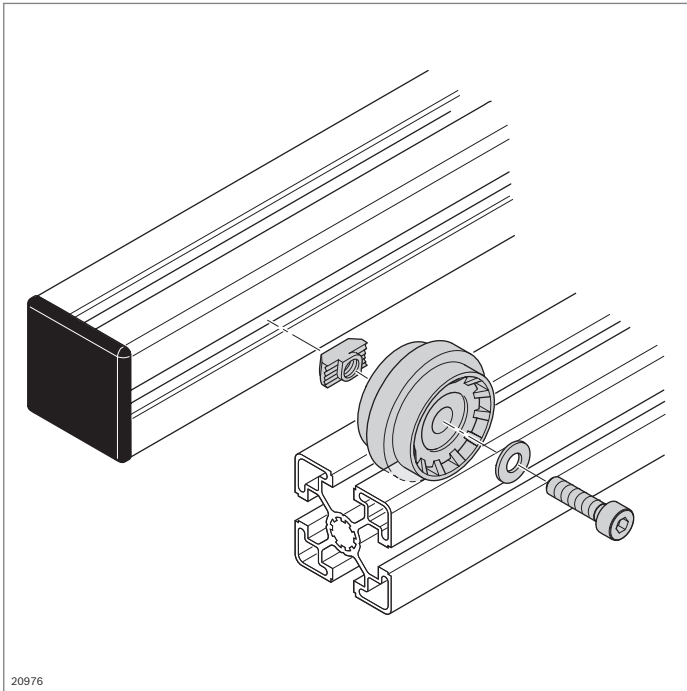
grub screws (ISO 4027) and sliding blocks (p. 3-9) for fastening the slider in the profile slot



Multi-slider 8/10

	No.
10	3 842 513 517

Material: POM; natural

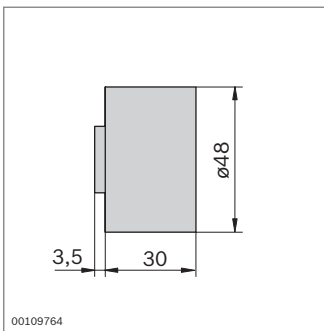


20976

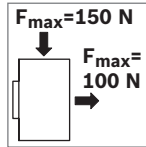
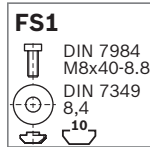
Support rollers



- ▶ Support roller for constructing trolleys or roller sections
- ▶ Mounted on profiles with 10 mm slot
- ▶ Good running characteristics thanks to deep-groove ball bearing with large diameter
- ▶ Support roller with rim can be guided in 10 mm slot
- ▶ ESD-conductive

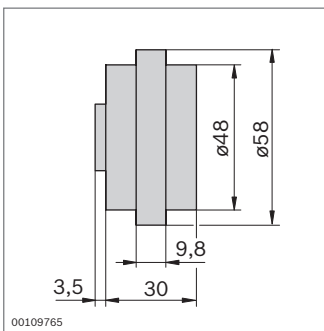


00109764

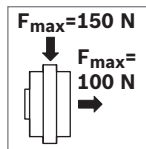
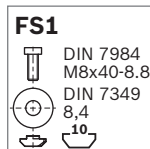


Support roller	No.	FS
	10	3 842 218 942 FS1

Material: Vestamid; black
 Fastening material: steel, galvanized
 Scope of delivery: Incl. fastening material (FS)

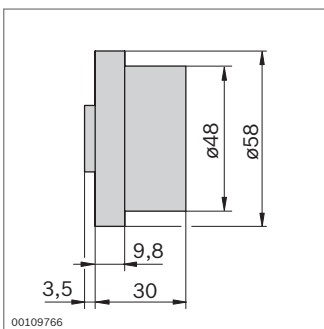


00109765

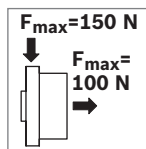
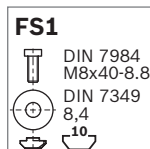


Support rollers with center rim	No.	FS
	10	3 842 218 940 FS1

Material: Vestamid; black
 Fastening material: steel, galvanized
 Scope of delivery: Incl. fastening material (FS)

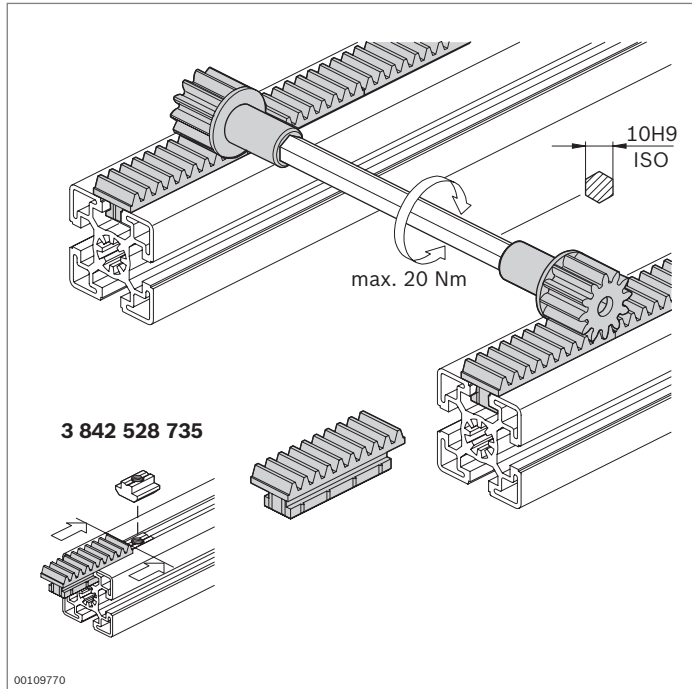


00109766



Support rollers with side rim	No.	FS
	10	3 842 218 941 FS1

Material: Vestamid; black
 Fastening material: steel, galvanized
 Scope of delivery: Incl. fastening material (FS)



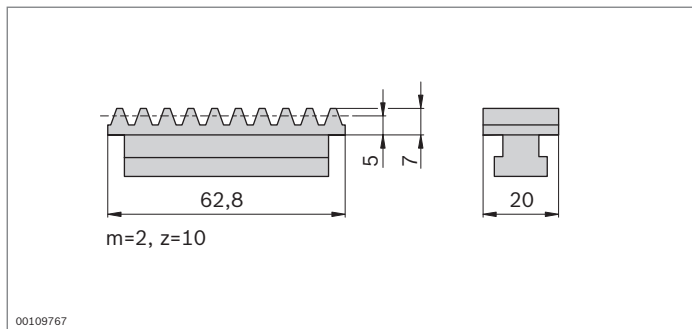
Rack Pinion



- For constructing synchronous shafts to prevent tilting in the case of large guide widths

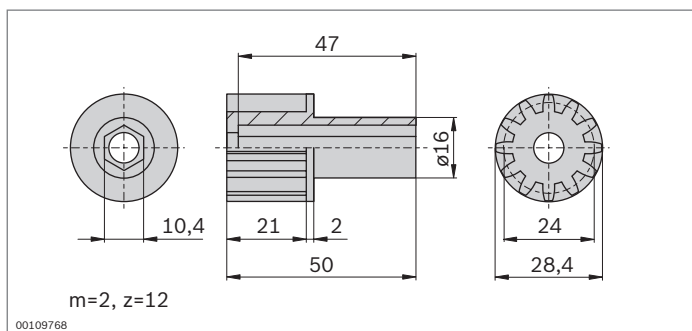
Accessories, required:

- standard commercially available hexagonal shaft 10H9
- sliding block for securing the rack in the slot (p. 3-9)



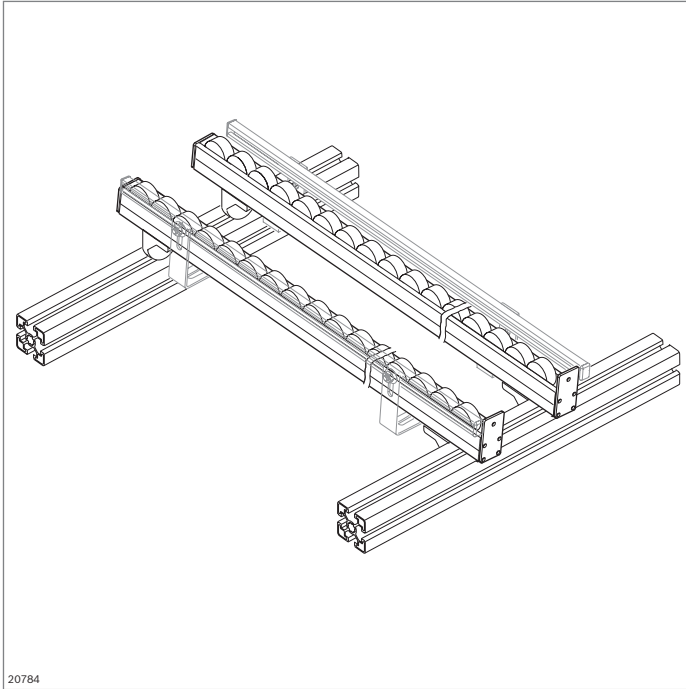
Rack	No.
	10 3 842 501 578

Material: PA; black



Pinion	No.
	3 842 501 576

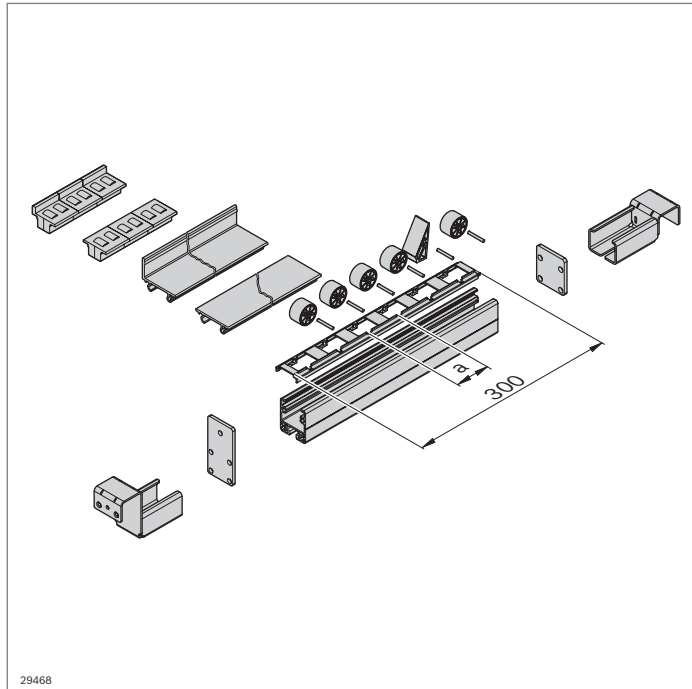
Material: POM, white



20784

Elements for the construction of conveyor sections

- ▶ Assembly elements for constructing manual conveyor sections
- ▶ Various clip-in conveyor media, with and without lateral guide
- ▶ Standard slots as attachment interface
- ▶ EcoFlow for manual linking of workstations

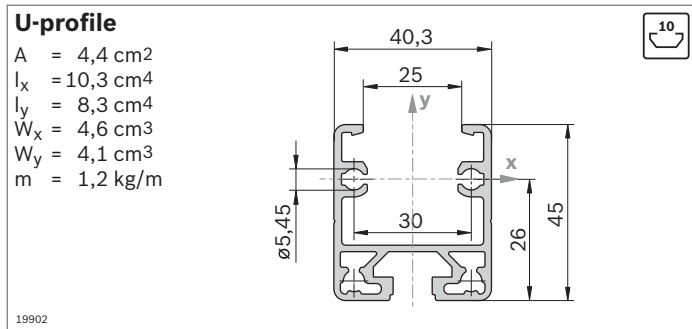


Conveyor track Lean



- ▶ Components for constructing manual conveyor sections
- ▶ Based on multi-functional U-profile
- ▶ Clip-in conveyor elements for all requirements:
 - rollers with or without flange; 4 colors to visually identify inventories (kanban) or to differentiate between good and reject parts
 - Slide rails with or without integrated lateral guide (GSSK, GS)
 - roller elements with and without flange (RE45SK, RE45)

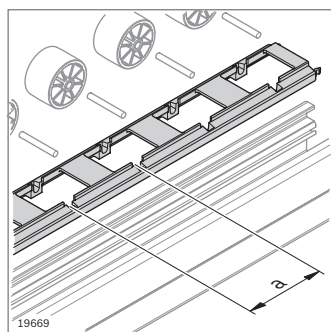
Accessories:
Round tube D28 (p. 2-72)



- ▶ U-profile with 10 mm slot

U-profile	Slot	L (mm)	ESD	No.
1 pc	10	30 ... 6000		3 842 993 316 / L
20 pcs	10	6070		3 842 535 115
1 pc	10	30 ... 6000		3 842 995 027 / L
20 pcs	10	6070		3 842 541 814
1 pc	10	6070		3 842 541 813
1 pc	10	6070		3 842 535 116

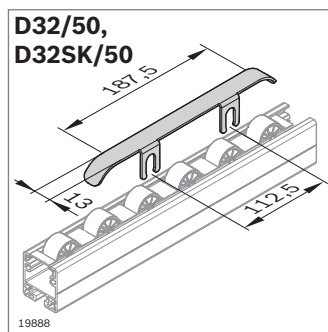
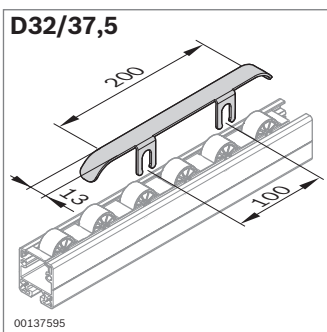
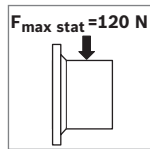
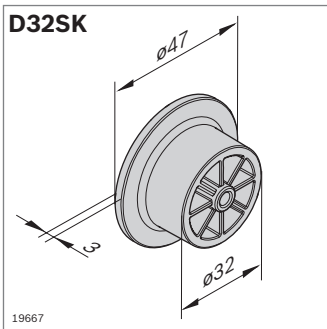
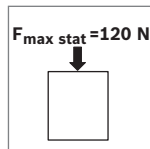
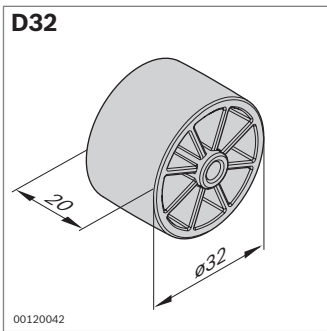
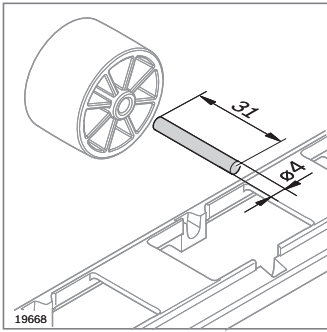
Material: U-profile: aluminum, anodized
U-profile ESD: aluminum, untreated



- ▶ Roller carrier for rollers D32 and D32SK (p. 12-21)

Roller carrier	a (mm)	ESD	No.
D32/37.5	37.5		20 3 842 537 944
			20 3 842 537 945
D32/50	50		20 3 842 532 887
			20 3 842 538 094
D 32SK/50	50		20 3 842 532 886
			20 3 842 537 947

Material: ABS



► Steel axis for rollers D32, D32SK

Steel axis	ESD	No.
	100	3 842 532 862

Material: Steel, stainless

Roller	ESD	No.
D32 black		100 3 842 532 865
		100 3 842 537 961
red		100 3 842 532 866
		100 3 842 537 960
yellow		100 3 842 532 870
		100 3 842 537 959
green		100 3 842 532 752
		100 3 842 537 958

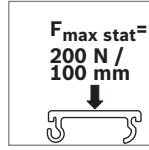
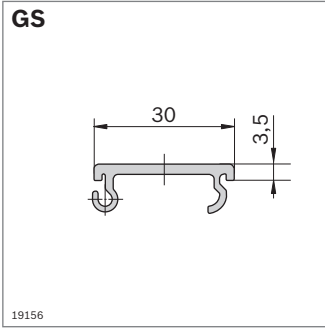
Material: PE, colored / ESD made of PA, colored

Roller	ESD	No.
D32SK black		100 3 842 532 867
		100 3 842 537 965
red		100 3 842 532 883
		100 3 842 537 964
yellow		100 3 842 532 884
		100 3 842 537 963
green		100 3 842 532 880
		100 3 842 537 962

Material: PE, colored / ESD made of PA, colored

Brake	ESD	No.
D32/37.5		20 3 842 537 948
D32/50, D32SK/50		20 3 842 532 881

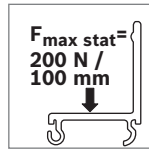
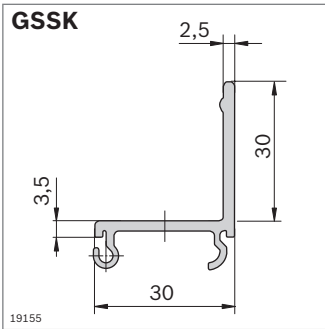
Material: Steel, galvanized



- ▶ Slide rail GS for constructing conveyor tracks with large gradients
- ▶ Slide rail for use with heavy containers

Slider rail	L (mm)	ESD	No.
GS	3000	20	3 842 535 124
	3000	20	3 842 537 803

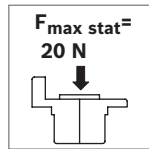
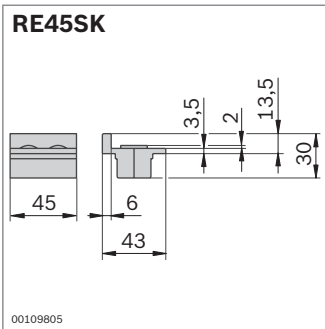
Material: PVC, gray / ESD in black



- ▶ Slide rail with lateral guide GSSK for constructing conveyor tracks with large gradients
- ▶ Slide rail for use with heavy containers

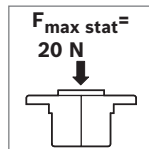
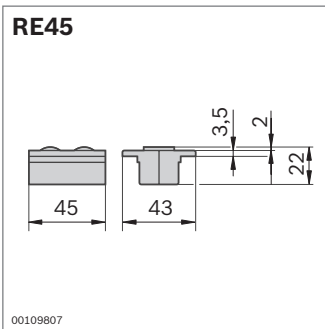
Slider rail	L (mm)	ESD	No.
GSSK	3000	20	3 842 537 806
	3000	20	3 842 537 807

Material: PVC, gray / ESD in black



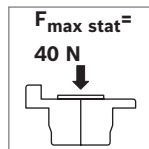
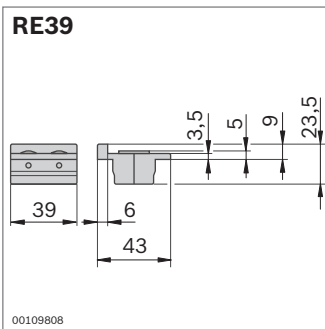
Roller element	ESD	No.
RE45SK	100	3 842 319 500
	100	3 842 538 065

Material: PA; black



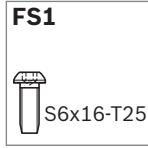
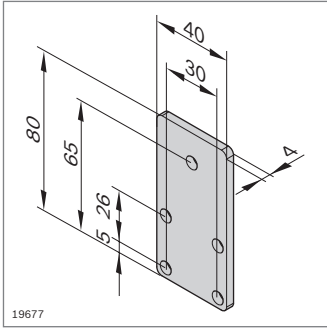
Roller element	ESD	No.
RE45	100	3 842 319 501
	100	3 842 538 064

Material: PA; black



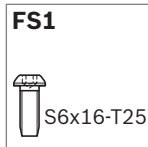
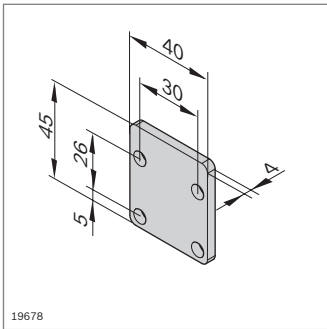
Roller element	ESD	No.
RE39	10	3 842 520 000
	10	3 842 538 245

Material: PA; black



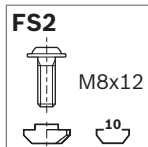
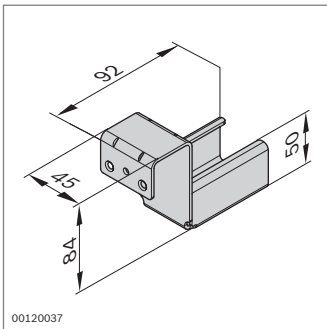
Closure plate with stop		No.	FS
40x80	20	3 842 535 121	4xFS1

Material: Steel, galvanized
 Scope of delivery: Incl. fastening material (FS)



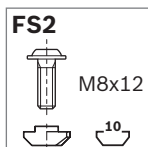
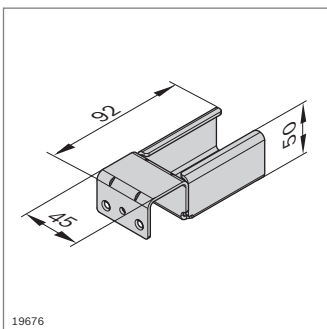
Closure plate without stop		No.	FS
40x45	20	3 842 535 122	4xFS1

Material: Steel, galvanized
 Scope of delivery: Incl. fastening material (FS)



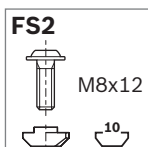
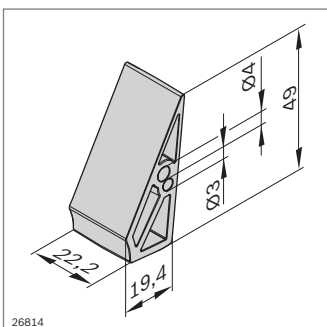
Rail holder with stop		No.	FS
	20	3 842 537 660	FS2

Material: Steel, galvanized
 Scope of delivery: Incl. fastening material (FS)



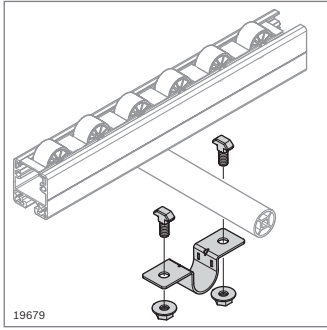
Rail holder without stop		No.	FS
	20	3 842 537 661	FS2

Material: Steel, galvanized
 Scope of delivery: Incl. fastening material (FS)

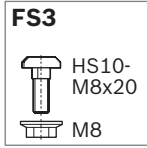


Stopper XLean/Lean	ESD		No.	FS
		10	3 842 552 151	FS2

Material: PP
 Fastening material: steel, galvanized
 Scope of delivery: Incl. fastening material (FS)

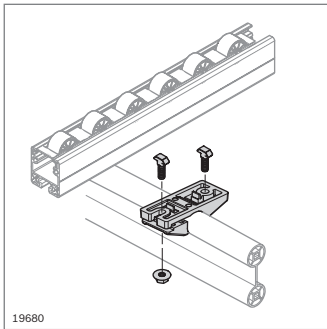


19679

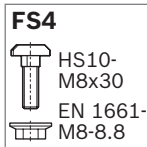


Tube clamp D28		No.	FS
	20	3 842 535 364	2xFS3

Material: Steel, galvanized
Scope of delivery: Incl. fastening material (FS)

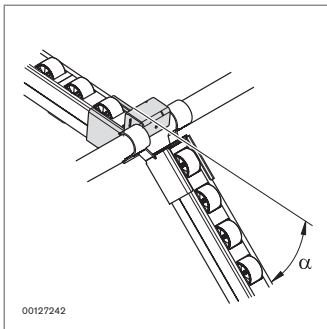


19680

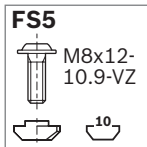


Holder for strut profile D28x55		No.	FS
	20	3 842 537 720	2xFS4

Material: Steel, galvanized
Scope of delivery: Incl. fastening material (FS)



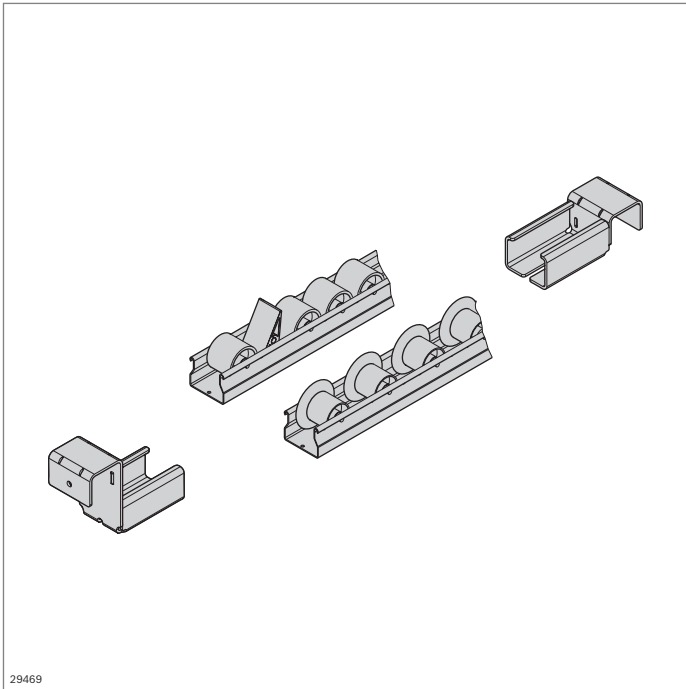
00127242



- Flexible bridge with maximum tilt (α_{max}) from horizontal:
- with round tube D28 (p. 2-72): $\alpha_{max} = 40^\circ$
 - with strut profile D28x55 (p. 2-73): $\alpha_{max} = 30^\circ$

Flexible bridge		No.	FS
	20	3 842 537 951	FS5

Material: Steel, galvanized



29469

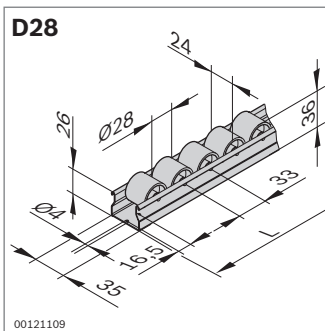
Conveyor track XClean



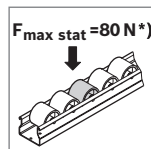
- ▶ Conveyor track made of steel profiles with plastic rollers and optional roller flange
- ▶ Available as ESD-conductive version.
- ▶ Self-supporting roller section
- ▶ Roller section with drill holes for fastening

Accessories:

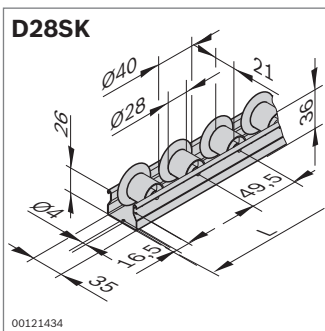
Round tube D28 (p. 2-72)



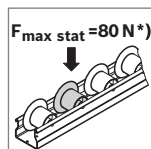
00121109



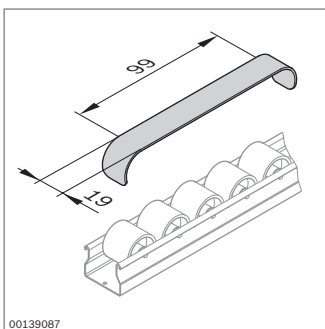
* per roller



00121434



* per roller



00139087

Roller section	L (mm)	ESD	No.
D28	100 ... 4500	1	3 842 993 321 / L
	4500	50	3 842 537 776
	100 ... 4500		3 842 993 431 / L
	4500		3 842 537 778

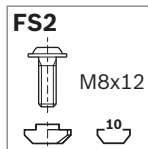
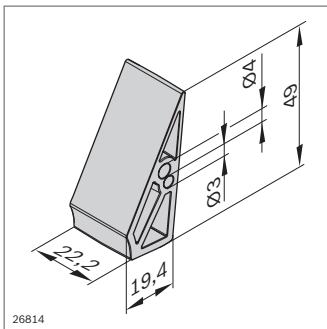
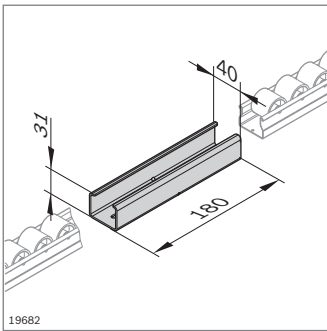
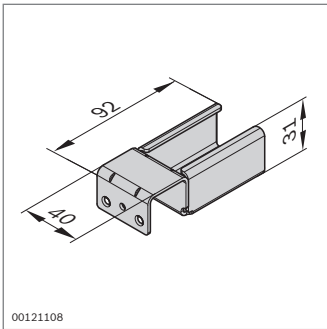
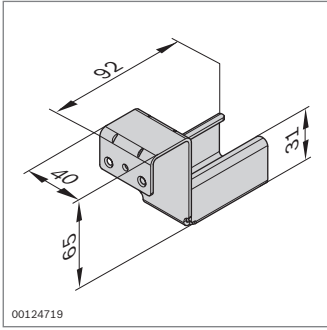
Material: Rail: steel, galvanized
Roller: PP

Roller section	L (mm)	ESD	No.
D28SK	100 ... 4500	1	3 842 993 322 / L
	4500	50	3 842 537 777
	100 ... 4500		3 842 993 432 / L
	4500		3 842 537 779

Material: Rail: steel, galvanized
Roller: PP

Brake	No.
	20 3 842 532 871

Material: Spring steel



Rail holder with stop		No.	
	20	3 842 538 372	

Material: Steel, galvanized

Rail holder without stop		No.	
	20	3 842 537 687	

Material: Steel, galvanized

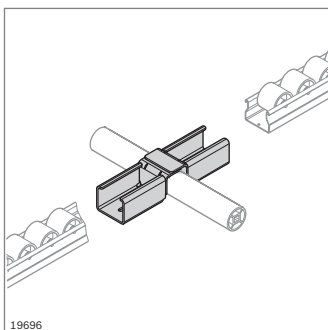
Section link		No.	
	20	3 842 536 722	


Material: Steel, galvanized

Stopper XLean/Lean	ESD		No.	FS
		10	3 842 552 151	FS2

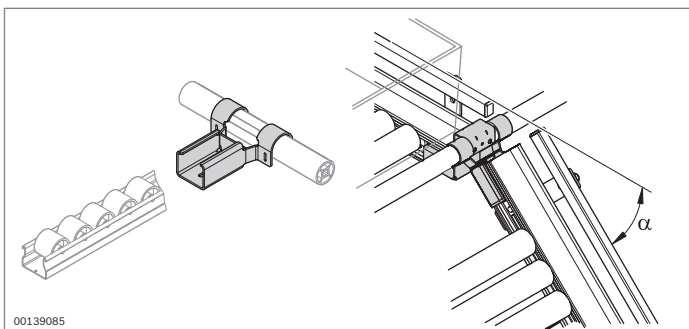
Material: PP
Fastening material: steel, galvanized

Scope of delivery: Incl. fastening material (FS)




Bridge		No.
	20	3 842 536 724

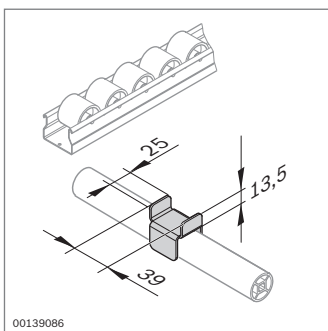
Material: Steel, galvanized





- Flexible bridge with maximum tilt (α_{max}) from horizontal:
- with round tube D28 (p. 2-72): $\alpha_{max} = 40^\circ$
 - with strut profile D28x55 (p. 2-73): $\alpha_{max} = 30^\circ$

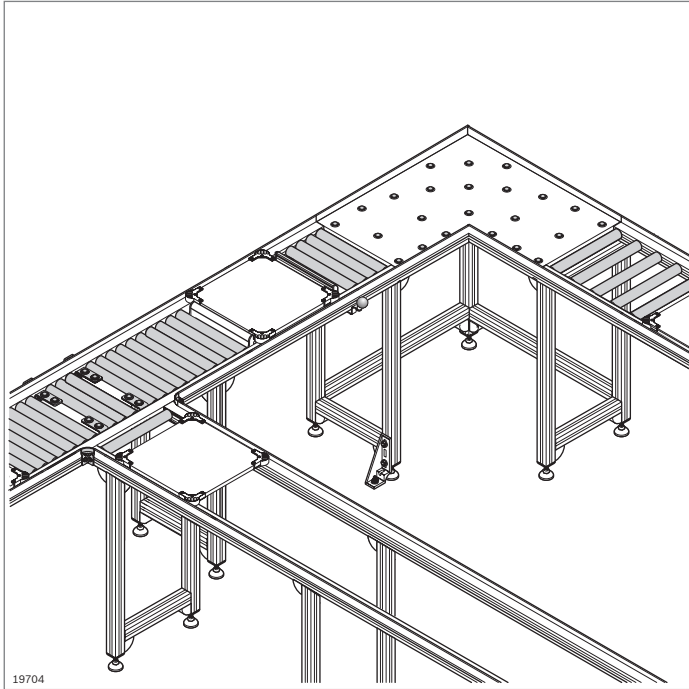
Flexible bridge		No.
	20	3 842 537 911

Material: Steel, galvanized



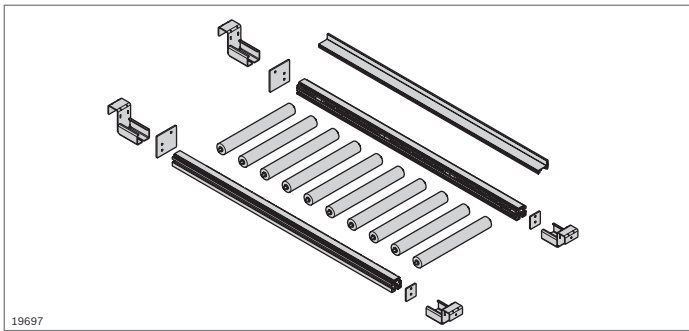
Mounting		No.
	20	3 842 537 657 

Material: Steel, galvanized



EcoFlow conveyor track

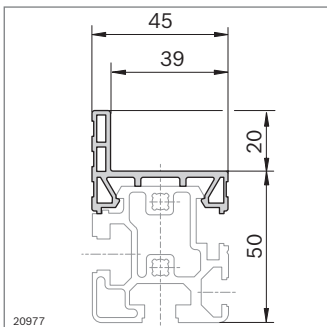
- ▶ Based on EcoFlow section profile
- ▶ For manual slide sections with rollers
- ▶ Clip-in guide profiles with lateral guide and clip-in conveyor rollers



MV45x45

$A = 6,2 \text{ cm}^2$
 $I_x = 11,8 \text{ cm}^4$
 $I_y = 10,5 \text{ cm}^4$
 $W_x = 5,3 \text{ cm}^3$
 $W_y = 4,7 \text{ cm}^3$
 $m = 1,7 \text{ kg/m}$

19698

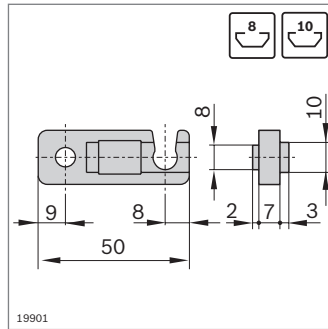
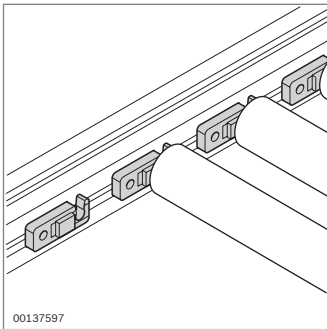
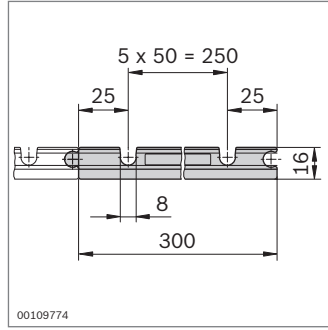
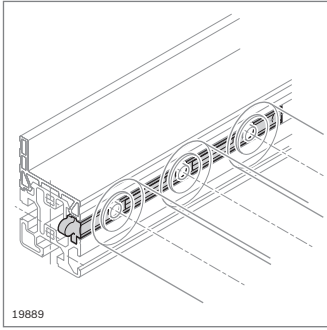


Section profile MV45x45		L (mm)	No.
1 pc		30 ... 6070	3 842 993 029 / L
20 pcs		6070	3 842 537 321
1 pc		6070	3 842 537 357

Material: Aluminum, anodized

Guide profile MV45		L (mm)	ESD		No.
30 ... 3000		1		3 842 993 511 / L	
3000		10		3 842 525 443	
30 ... 3000		1		3 842 993 512 / L	
3000		10		3 842 526 034	

Material: PVC



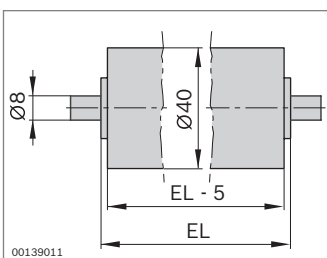
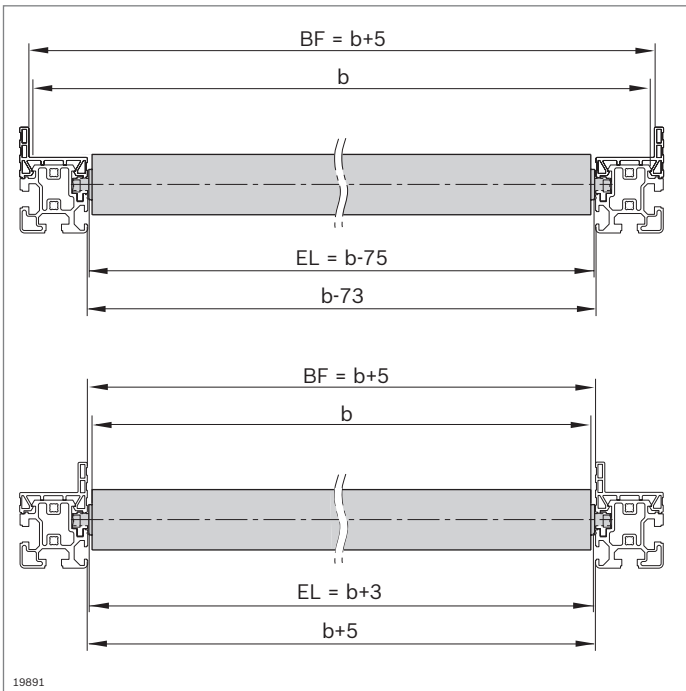
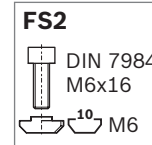
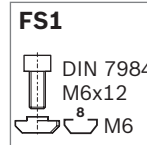
EcoFlow roller carrier	ESD	No.
	10	3 842 535 683

Material: ABS; black

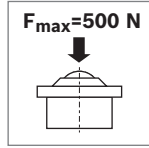
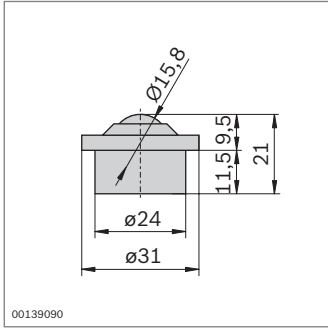
Roller mount	Slot	No.	FS
	8	10	3 842 535 667 FS1
	10	10	3 842 535 668 FS2

Material: Roller mount: PA6, black
Fastening material: steel, galvanized

Scope of delivery: Incl. fastening material (FS)



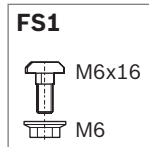
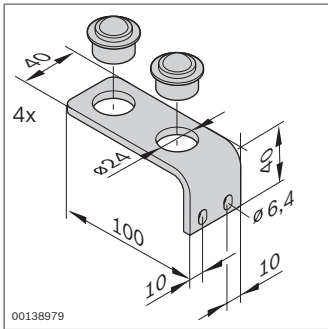
EcoFlow roller	F _{max} (N)	EL (mm)	ESD	No.
Plastic, gray	150	105 ... 605		3 842 994 989 / L
		225		3 842 525 740
		325		3 842 525 741
		425		3 842 525 742
		525		3 842 537 164
Steel, galvanized	500	105 ... 1005		3 842 994 988 / L
		225		3 842 525 737
		325		3 842 525 738
		425		3 842 525 739
		525		3 842 537 163
Stainless steel	150	105 ... 1005		3 842 995 008 / L



► Ball roller for smooth manual movement of goods with large-surfaces

Ball roller	ESD	No.
		20 3 842 541 008

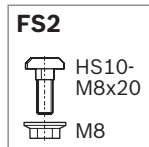
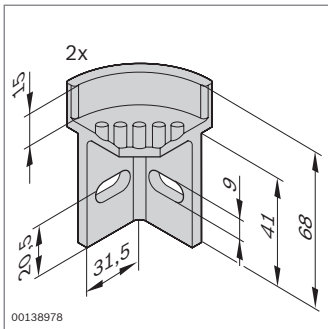
Material: Housing: steel, galvanized
Ball: stainless steel



Transverse conveyor	ESD	No.	FS
		Set 3 842 536 055	8xFS1

Material: Bracket: steel, galvanized
Ball: stainless steel

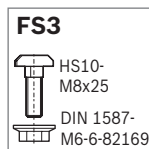
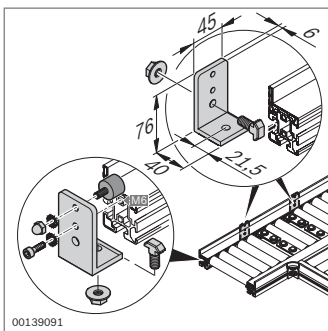
Scope of delivery: Incl. 4 x bracket plate, fastening material (FS) for 10 mm slot



Corner piece	ESD	No.	FS
		Set 3 842 536 056	4xFS2

Material: PA; black, ESD-conductive

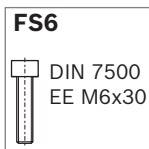
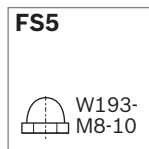
Scope of delivery: Incl. 2 x corner piece, fastening material (FS) for 10 mm slot

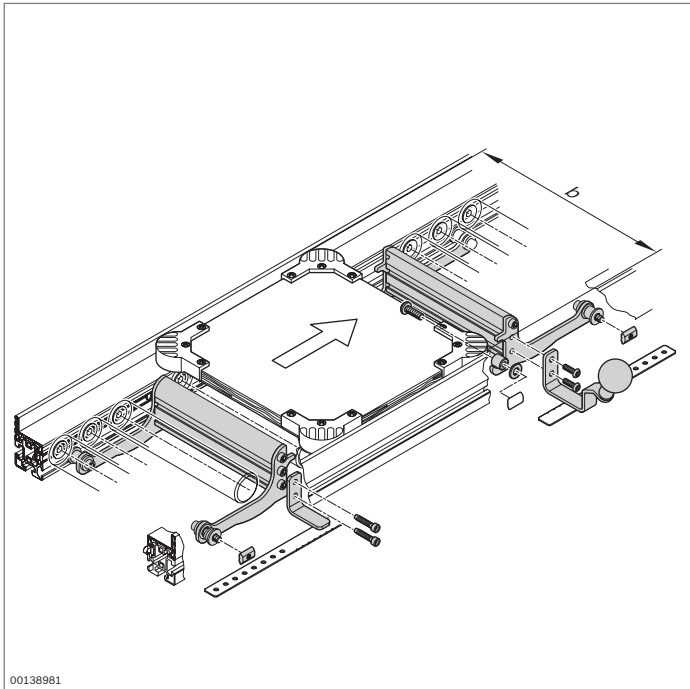


Stop	No.	FS
Set	3 842 536 057	2xFS3, 4xFS4, 2xFS5 2xFS6

Material: Aluminum, anodized

Scope of delivery: Incl. 2 x stop, fastening material (FS)



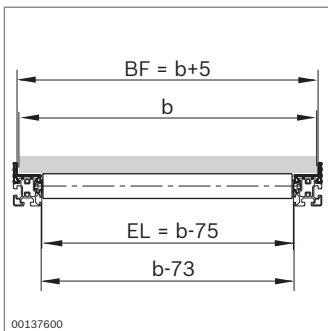


00138981

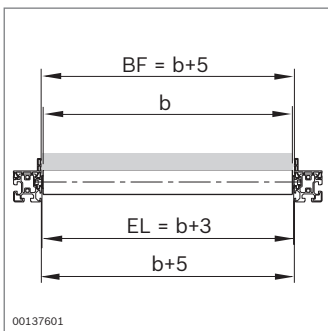
EcoFlow stop gates and return stops



- ▶ Stop gate and return stop for positioning workpiece pallets or containers
- ▶ At the planning stage remember to leave sufficient leg room. The stop gate and return stop extend downwards by an additional 45 mm
- ▶ We recommend using a workpiece pallet with corner pieces (p. 12-32) to provide a defined stopping mechanism



00137600



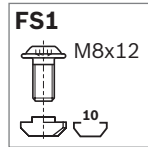
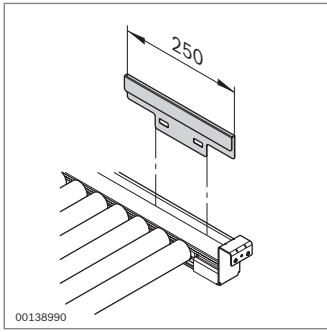
00137601

Stop gate	EL (mm)	No.
	105 ... 1005	3 842 995 007 / EL
	225	3 842 537 894
	325	3 842 537 895
	425	3 842 537 896
	525	3 842 537 897

Scope of delivery: Incl. fastening material

Return stop	EL (mm)	No.
	105 ... 1005	3 842 995 017 / EL
	225	3 842 537 898
	325	3 842 537 899
	425	3 842 537 900
	525	3 842 537 901

Scope of delivery: Incl. fastening material

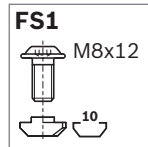
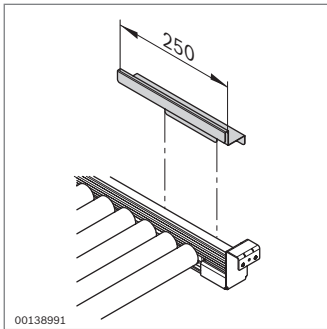


- ▶ Protective cover to protect the EcoFlow guide profile when loading the conveyor track

Protective cover		No.	FS
Outer slide rail	Set	3 842 537 583	4xFS1

Material: Steel, galvanized

Scope of delivery: Incl. 2x protective cover, fastening material (FS)

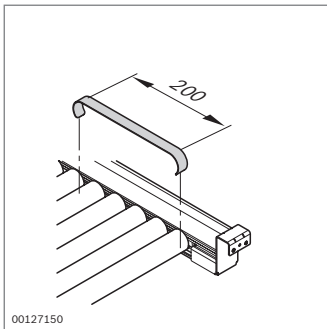


- ▶ Protective cover to protect the EcoFlow guide profile when loading the conveyor track

Protective cover		No.	FS
Inner slide rail	Set	3 842 537 584	4xFS1

Material: Steel, galvanized

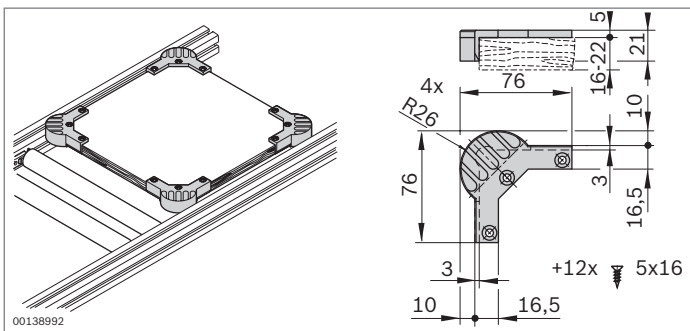
Scope of delivery: Incl. 2 x protective cover, fastening material (FS)



- ▶ Brake for bringing containers to a stop gently

Brake		No.
	20	3 842 537 740

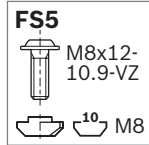
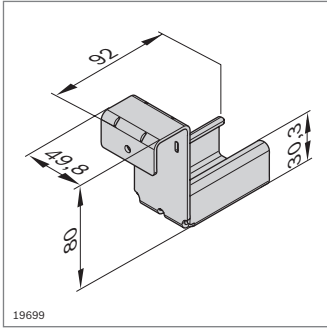
Material: Steel, galvanized



- ▶ Corner pieces for assembly of workpiece pallets
- ▶ For isolating parts from the pallet queue, well-defined guidance and stopping surfaces, good transition through curves and avoidance of edges where trapping may occur

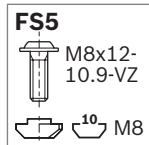
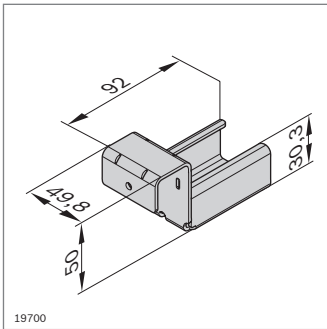
Corner pieces for workpiece pallets	ESD		No.
		Set	3 842 536 054

Material: PA



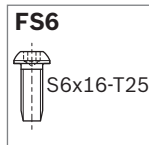
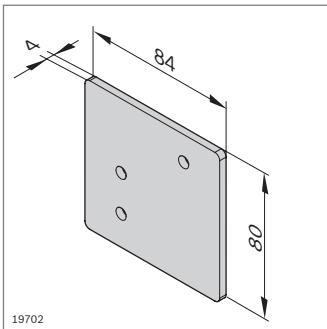
Rail holder with stop	No.	FS
	20	3 842 537 664 FS5

Material: Steel, galvanized
 Accessories: Round tube D28 (p. 2-72)
 Scope of delivery: Incl. fastening material (FS)



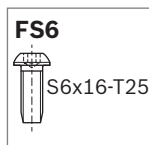
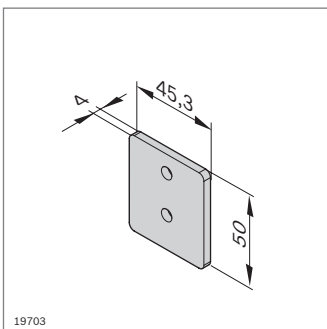
Rail holder without stop	No.	FS
	20	3 842 537 665 FS5

Material: Steel, galvanized
 Accessories: Round tube D28 (p. 2-72)
 Scope of delivery: Incl. fastening material (FS)



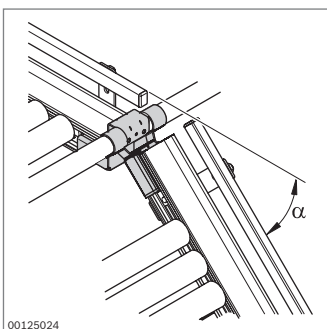
Closure plate with stop	No.	FS
	20	3 842 537 593 2xFS6

Material: Steel, galvanized
 Scope of delivery: Incl. fastening material (FS)



Closure plate without stop	No.	FS
	20	3 842 537 592 2xFS6

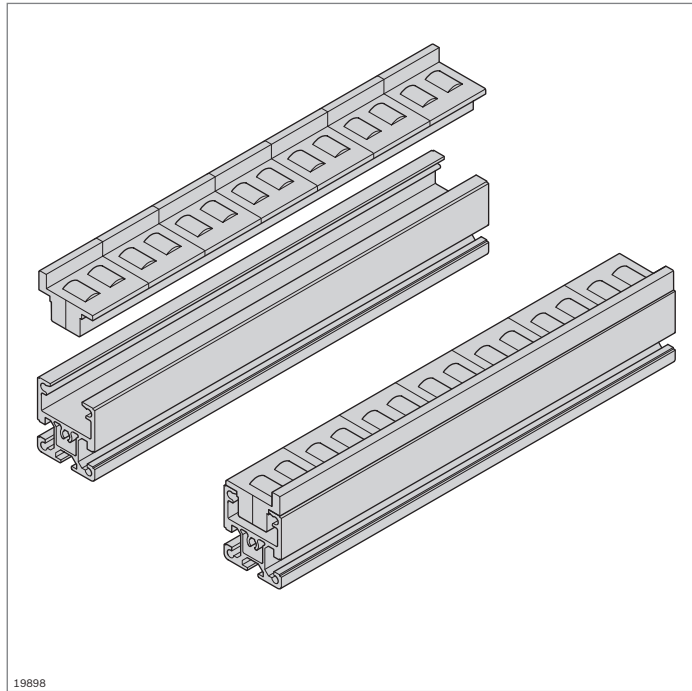
Material: Steel, galvanized
 Scope of delivery: Incl. fastening material (FS)



- Flexible bridge with maximum tilt (α_{max}) from horizontal:
 - with round tube D28 (p. 2-72): $\alpha_{max} = 40^\circ$
 - with strut profile D28x55 (p. 2-73): $\alpha_{max} = 30^\circ$

Flexible bridge	No.
	20 3 842 537 911

Material: Steel, galvanized

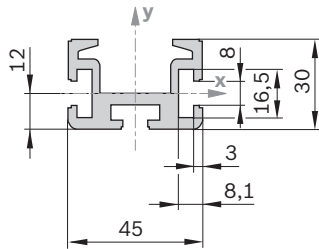


Conveyor track made of section profiles and roller elements

- ▶ Economical solution for manual slide sections
- ▶ Roller elements can be clipped in

Accessories:
Roller elements (p. 12-22)

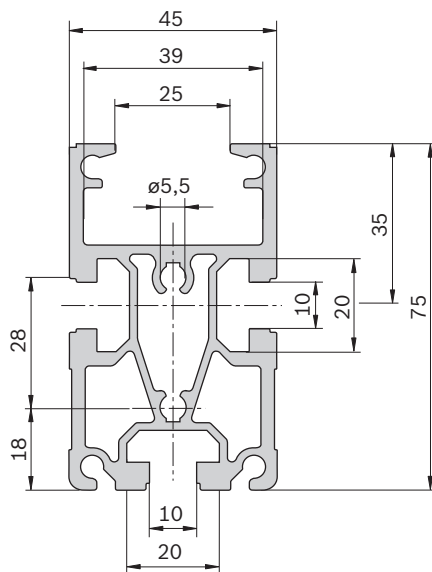
SP 2/R
 $A = 5,23 \text{ cm}^2$
 $I_x = 4,39 \text{ cm}^4$
 $I_y = 11,77 \text{ cm}^4$
 $W_x = 2,47 \text{ cm}^3$
 $W_y = 5,23 \text{ cm}^3$
 $m = 1,41 \text{ kg/m}$



Section profile SP 2/R	L (mm)	No.
	50 ... 6000	3 842 992 676 / L

Material: Aluminum, natural-colored, anodized

SP 2/B
 $A = 10,4 \text{ cm}^2$
 $I_x = 49,6 \text{ cm}^4$
 $I_y = 25,8 \text{ cm}^4$
 $W_x = 12,1 \text{ cm}^3$
 $W_y = 11,5 \text{ cm}^3$
 $m = 2,8 \text{ kg/m}$



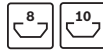
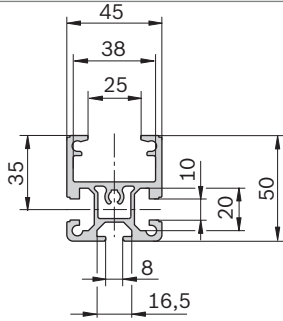
Section profile SP 2/B	Slot	L (mm)	No.
1 pc	10	200...6000	3 842 992 884 / L
16 pcs	10	6070	3 842 532 695

Material: Aluminum, natural-colored, anodized

Accessories: Cross connector QV 2 (p. 12-42)

SP 2/B-50

A = 6,9 cm²
 I_x = 46,2 cm⁴
 I_y = 16,9 cm⁴
 W_x = 5,3 cm³
 W_y = 7,5 cm³
 m = 1,9 kg/m



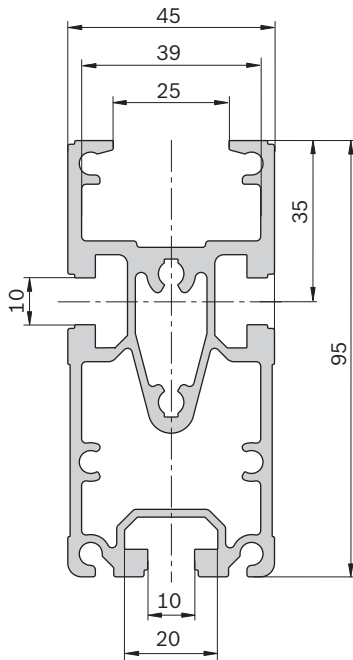
19605

Section profile SP 2/B-50	Slot	L (mm)	No.
1 pc	8 / 10	200 ... 6000	3 842 992 903 / L
20 pcs	8 / 10	6070	3 842 532 697

Material: Aluminum, natural-colored, anodized

SP 2/B-100

A = 11,9 cm²
 I_x = 95,1 cm⁴
 I_y = 30,4 cm⁴
 W_x = 20,0 cm³
 W_y = 13,5 cm³
 m = 3,2 kg/m



19606

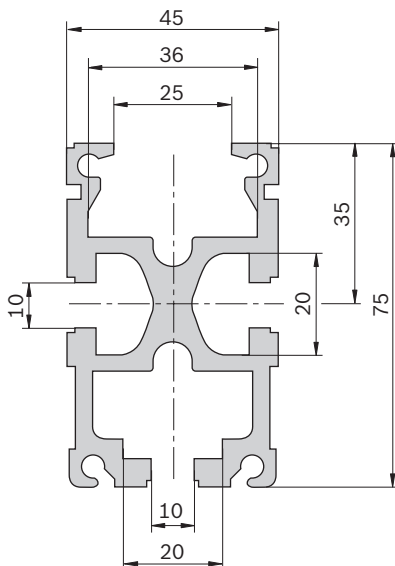
Section profile SP 2/B-100	Slot	L (mm)	No.
1 pc		200 ... 6000	3 842 993 259 / L
16 pcs	10	6070	3 842 532 608

Material: Aluminum, natural-colored, anodized

Accessories: Cross connector QV 2 (p. 12-42)

SP 2/BH

A = 12,4 cm²
 I_x = 53,7 cm⁴
 I_y = 28,6 cm⁴
 W_x = 14,0 cm³
 W_y = 13,8 cm³
 m = 3,3 kg/m

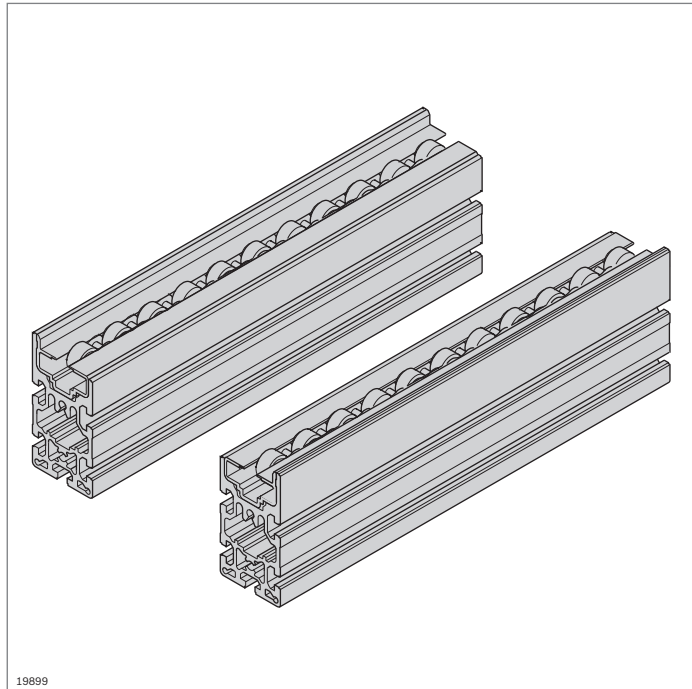


19607

Section profile SP 2/BH	Slot	L (mm)	No.
1 pc	10	200 ... 6000	3 842 990 409 / L
16 pcs	10	6070	3 842 532 696

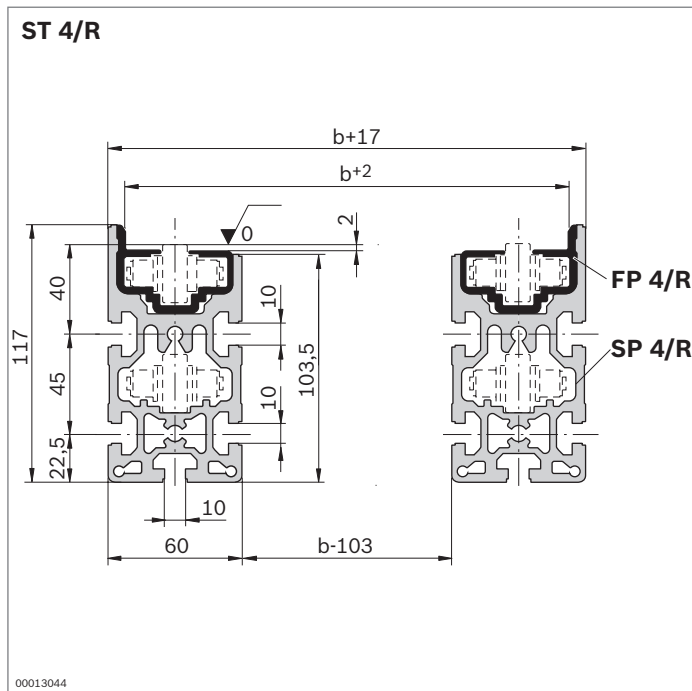
Material: Aluminum, natural-colored, anodized

Accessories: Cross connector QV 2 (p. 12-42)



Conveyor sections made of SP 4/R section profiles and accumulation roller chains

- ▶ For constructing manual slide sections with high bearing loads (up to 2.0 kg/cm)
- ▶ For applications with and without workpiece pallets
- ▶ Low friction
- ▶ Steel chain with support rollers made of PA 12

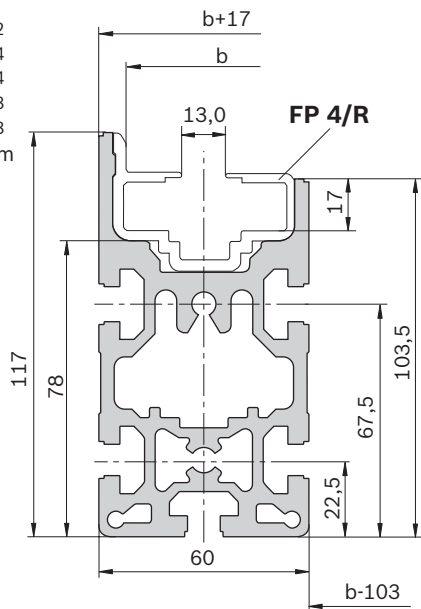


Section ST 4/R	L (mm)	No.
	200 ... 6000	3 842 994 839 / L

- Material: Aluminum, natural-colored, anodized
Guide profile: PA 12
- Scope of delivery: 2 x section profile SP 4/R
2 x guide profile FP 4/R
- Condition on delivery: Assembled
- Accessories: Accumulation roller chain (p. 12-38)
Cross connector QV 4 (p. 12-38)

SP 4/R

A = 26,13 cm²
 $I_x = 222,0 \text{ cm}^4$
 $I_y = 95,5 \text{ cm}^4$
 $W_x = 84,86 \text{ cm}^3$
 $W_y = 16,41 \text{ cm}^3$
 m = 3,5 kg/m



19608

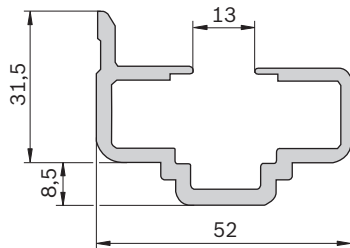
Section profile SP 4/R

L (mm) No.

10 pcs 6000 **3 842 532 505**

Material: Aluminum, natural-colored, anodized
 Accessories: Guide profile FP 4/R
 Accumulation roller chain (p. 12-38)
 Cross connector QV 4 (p. 12-38)

FP 4/R



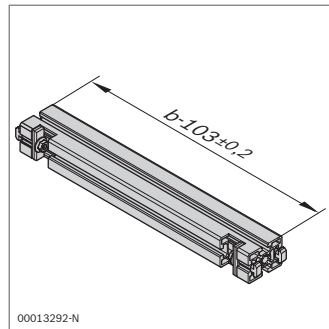
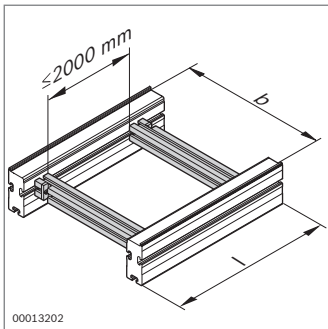
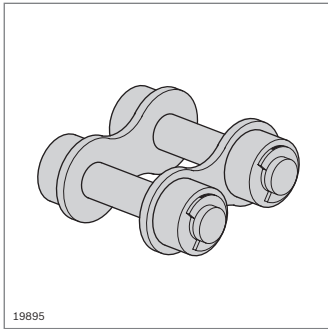
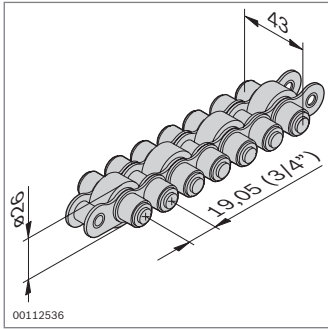
19610

Guide profile FP 4/R

L (mm) No.

10 pcs 6000 **3 842 532 508**

Material: PA 12 (anti-static)



Accumulation roller chain	L (mm)	No.
Support roller: PA 12	5000	3 842 508 967

Material: Accumulation roller chain: steel
 Support roller: see ordering table
 Scope of delivery: Incl. chain coupling
 Accessories: Additional chain coupling (**3 842 071 941**)

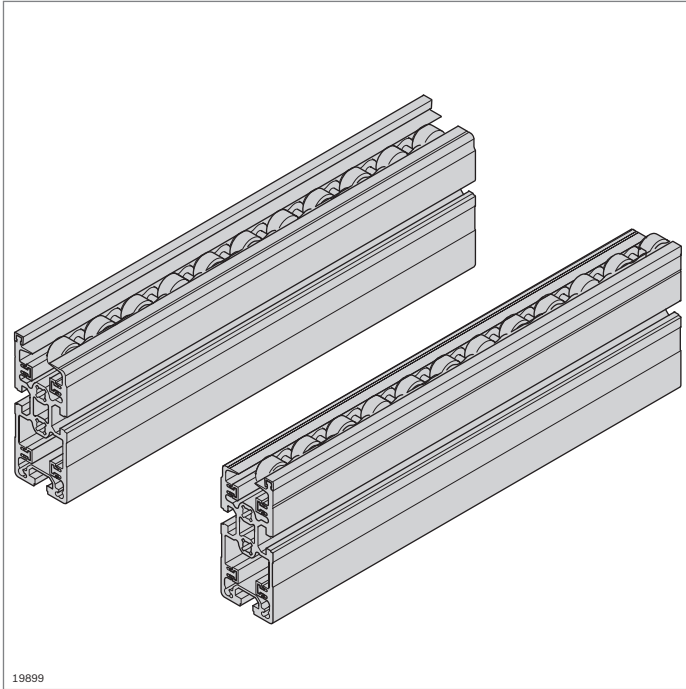
► Chain coupling for extending accumulation roller chains

Chain coupling	No.
	3 842 071 941

Material: Steel

► Cross connector QV 4 for connecting two section profiles
 ► For defining the track width

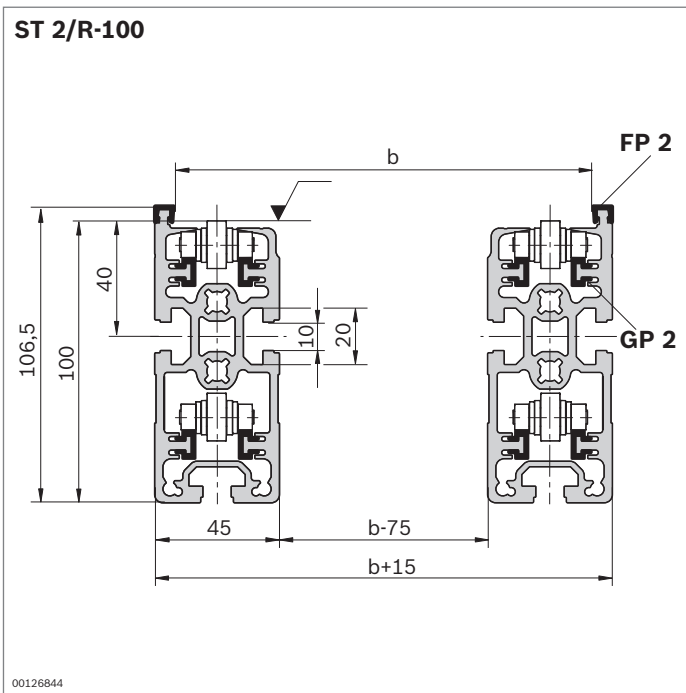
Cross connector QV 4	b (mm)	No.
	443 ... 1243	3 842 994 832 / b



19899

Conveyor sections made of SP 2 section profiles and accumulation roller chains

- ▶ For constructing manual slide sections with high bearing loads (up to 2.0 kg/cm)
- ▶ For applications with and without workpiece pallets
- ▶ Accumulation roller chain with and without small parts trap



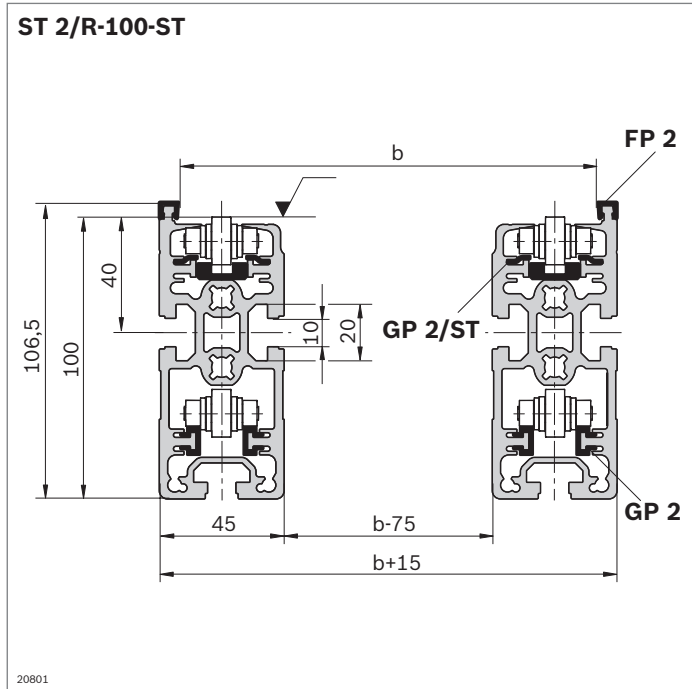
00126844

- ▶ Customizable section with plastic guide profile

Section ST 2/R-100	ESD	L (mm)	No.
		60 ... 6000	3 842 994 889 /L

12

Material:	Aluminum, natural-colored, anodized Slide profile, guide profile: PA 12
Scope of delivery:	2x section profile SP 2/R-100 2x guide profile FP 2 8x slide profile GP 2
Condition on delivery:	Assembled
Accessories:	Accumulation roller chain (p. 12-38) Accumulation roller chain with small parts trap (p. 12-42) Cross connector QV 2, QV 2-H (p. 12-42)



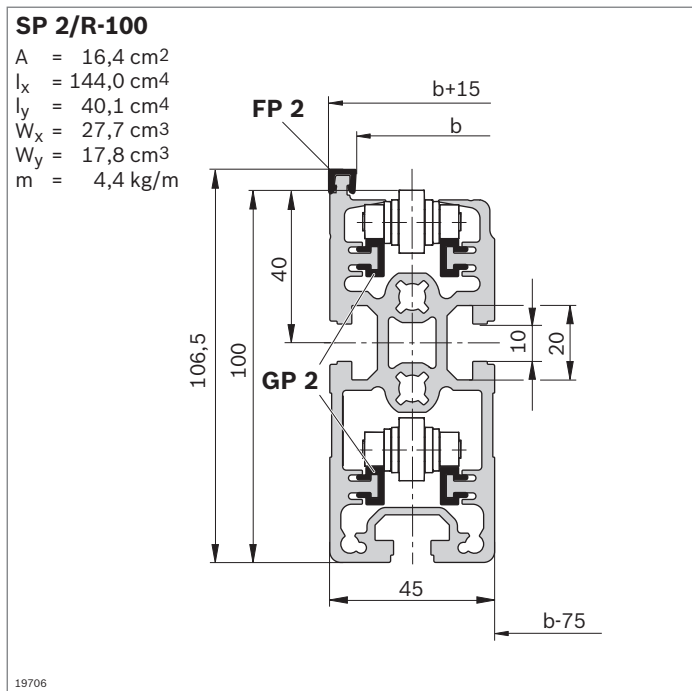
Section ST 2/R-100 ST	ESD	L (mm)	No.
		60 ... 6000	3 842 994 907 / L

Material: Aluminum, natural-colored, anodized
 Slide profile: steel
 Guide profile: PA 12
 Guide profile for accumulation roller chain: PE

Scope of delivery: 2 x section profile SP 2/R-100
 2 x guide profile FP 2
 4 x slide profile GP 2
 4 x slide profile GP 2/ST
 2 x guide profile for accumulation roller chain

Condition on delivery: Assembled

Accessories: Accumulation roller chain (p. 12-38)
 Accumulation roller chain with small parts trap (p. 12-42)
 Cross connector QV 2, QV 2-H (p. 12-42)



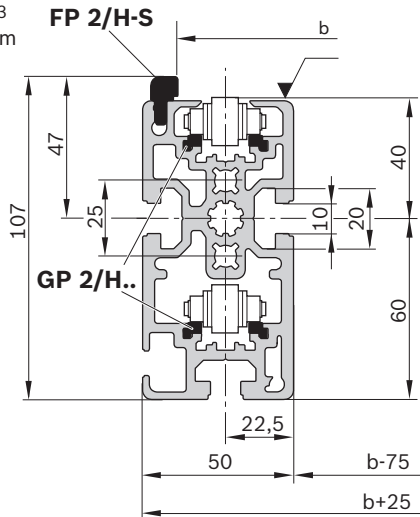
Section profile SP 2/R-100	L (mm)	No.
16 pcs	6070	3 842 529 931

Material: Aluminum, natural-colored, anodized

Accessories: Guide and slide profile PA (p. 12-41)
 Guide and slide profile ST (p. 12-41)

SP 2/R-H

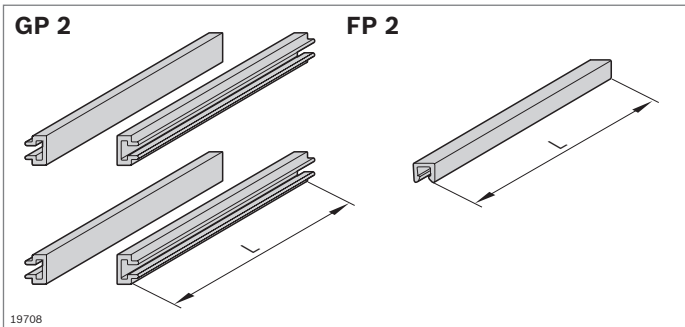
A = 19,0 cm²
 $I_x = 155,6 \text{ cm}^4$
 $I_y = 51,3 \text{ cm}^4$
 $W_x = 31,6 \text{ cm}^3$
 $W_y = 18,8 \text{ cm}^3$
 m = 5,2 kg/m



20802

Section profile SP 2/R-H	L (mm)	No.
12 pcs	6070	3 842 536 792

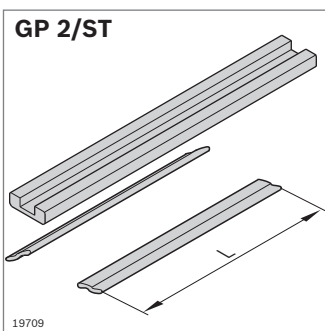
Material: Aluminum, natural-colored, anodized
 Accessories: Guide profile FP 2/H-ST
 Slide profile GP 2/H-KST
 Slide profile GP 2/H-ST



19708

Guide and slide profile PA	ESD	No.
		3 842 529 933

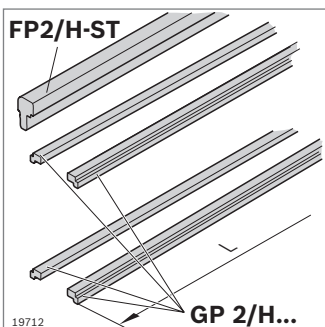
Material: PA 12 (anti-static)
 Scope of delivery: 64 x slide profile GP 2 (L = 6000 mm)
 16 x guide profile FP 2 (L = 6000 mm)



19709

Guide and slide profile ST	ESD	No.
		3 842 532 676

Material: GP 2/ST: steel, corrosion-resistant
 Guide profile for accumulation roller chain: PE
 Scope of delivery: 32 x slide profile GP 2/ST (L = 3000 mm)
 24 x guide profile for accumulation roller chain (L = 2000 mm)



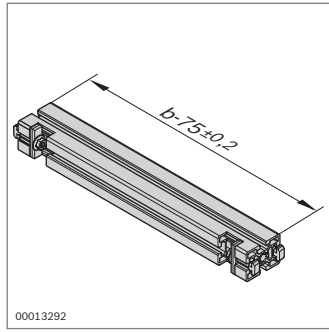
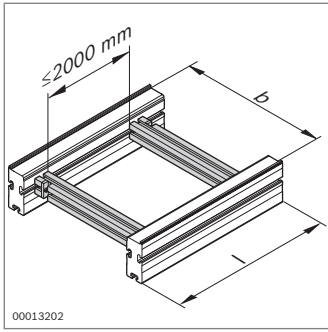
19712

Guide profile	L (mm)	ESD	No.
FP 2/H-ST 24 pcs	3000		3 842 537 890

Material: Steel, corrosion-resistant

Slide profiles	L (mm)	ESD	No.
GP 2/H-ST 48 pcs	3000		3 842 537 888
GP 2/H-KST 48 pcs	3000		3 842 537 889

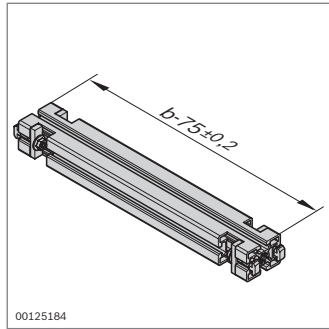
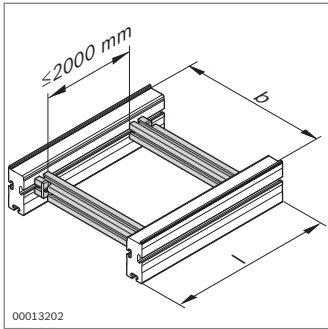
Material: H-KST: PA (anti-static)
 H-ST: steel, corrosion-resistant



- ▶ Cross connector QV 2 for connecting two section profiles
- ▶ For defining the track width

Cross connector QV 2	b (mm)	No.
	160...1040	3 842 994 635 / b

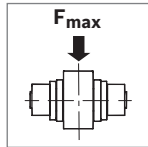
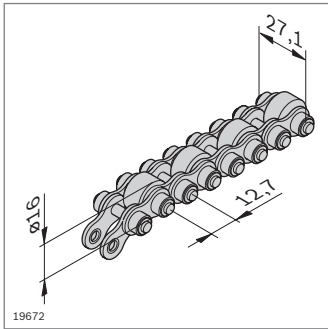
Material: Aluminum, natural-colored, anodized
 Fastening material: steel
 Scope of delivery: Strut profile 45x60, 2 x transverse connector (p. 3-61)



- ▶ Cross connector QV 2-H for connecting two section profiles
- ▶ For heavy applications
- ▶ For defining the track width

Cross connector QV 2-H	b (mm)	No.
	160...1040	3 842 993 052 / b

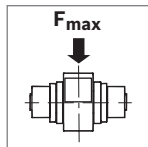
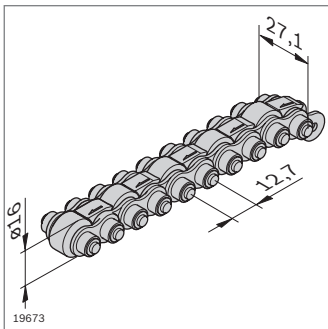
Material: Aluminum, natural-colored, anodized
 Fastening material: steel
 Scope of delivery: Strut profile 45x60, 4 x transverse connector (p. 3-61)



Accumulation roller chain	F _{max} (kg/cm)	L (mm)	No.
Support roller: PA 12	1.5	12000	3 842 523 918
Support roller: steel	2.0 ¹⁾ /1.5 ²⁾	12000	3 842 530 864

1) When using slide profile GP 2/ST
 2) When using slide profile GP 2

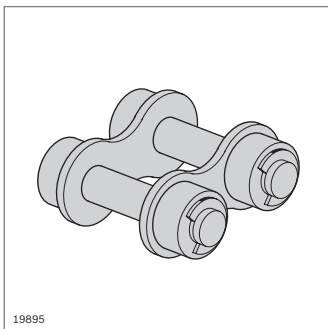
Material: Accumulation roller chain: steel
 Support roller: see ordering table
 Scope of delivery: Incl. chain coupling
 Accessories: Additional chain coupling (**3 842 530 417**)



Accumulation roller chain with small parts trap	F _{max} (kg/cm)	L (mm)	No.
Support roller: PA 12	1.5	12000	3 842 536 268
Support roller: steel	2.0 ¹⁾ /1.5 ²⁾	12000	3 842 536 270

1) When using slide profile GP 2/ST
 2) When using slide profile GP 2

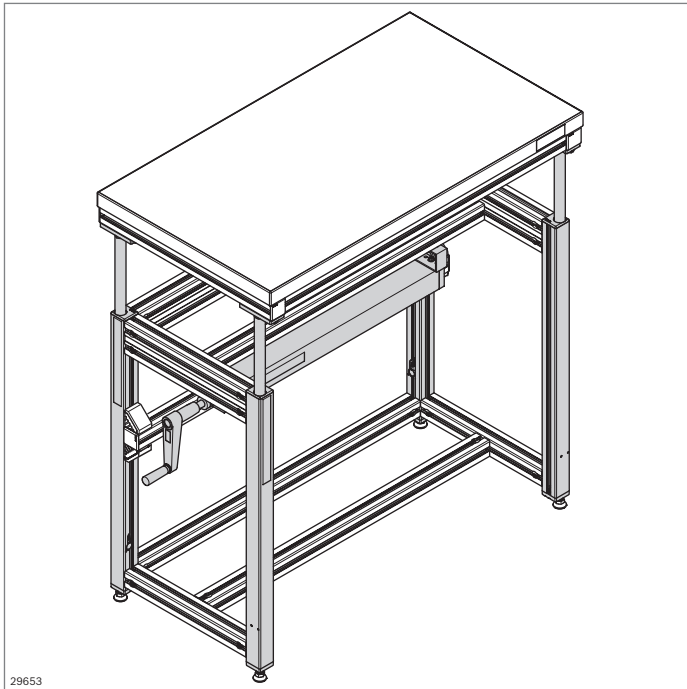
Material: Accumulation roller chain: steel
 Support roller: see ordering table
 Scope of delivery: Incl. chain coupling
 Accessories: Additional chain coupling (**3 842 530 417**)



- ▶ Chain coupling for extending accumulation roller chains

Chain coupling	No.
	3 842 530 417

Material: steel



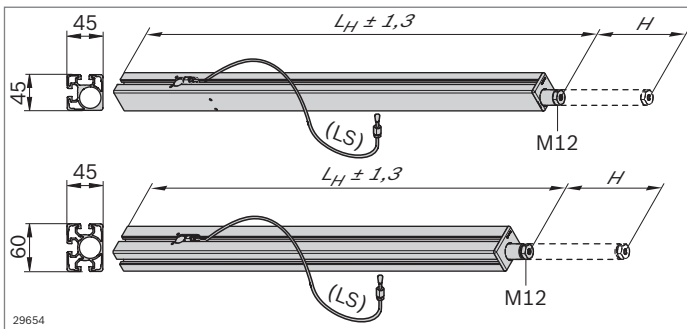
Components for height adjustment 45x45 and 45x60



- ▶ Infinitely variable hydraulic height adjustment with a crank handle, e.g. for work benches, tables or frames
- ▶ Max. load bearing capacity per lifting module 800 N
- ▶ Maximum lift 400 mm
- ▶ Simplest mounting system due to use of hydraulic hoses with quick-release couplings
- ▶ Variable or fixed lengths for lifting module and hoses
- ▶ For compliance with the safety requirements for lifting tables according to DIN EN 1570-1.

Accessories, optional:

- ▶ connection elements, e.g. bracket (see p. 3-19),
- ▶ leveling foot, e.g. 3 842 529 025 (see p. 6-4)



Lifting module	L _H (mm)	L _S (mm)	No.
45x45 Variable	720 ... 2000 ¹⁾	1000 ... 4000 ²⁾	Set 3 842 994 000/L_H/L_S
Standard	770	2500	Set 3 842 552 131/L_H/L_S
45x60 Variable	720 ... 2000 ¹⁾	1000 ... 4000 ²⁾	Set 3 842 994 001/L_H/L_S
Standard	770	2500	Set 3 842 552 132/L_H/L_S

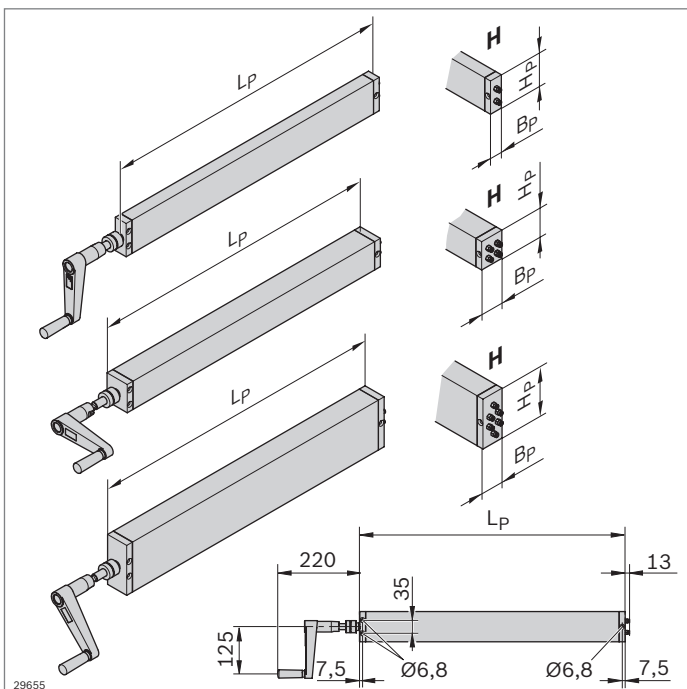
- ¹⁾ Lifting module length (L_H) can be ordered in 10 mm increments
²⁾ Hose length (L_S) can be ordered in 1000, 1500, 2000, 2500, 3000, 4000 mm

Scope of delivery: 2 x lifting module with built-in hydraulic cylinder incl. hose (min. bend radius 50 mm) and quick-release coupling; 2 x cover cap

Condition on delivery: Assembled, filled with food-safe HPL oil of class NSF H1

Pump and drive

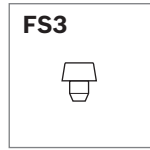
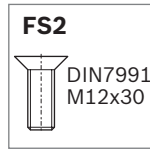
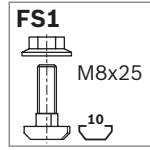
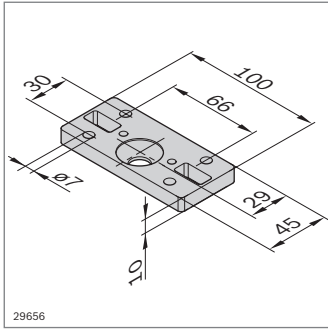
- ▶ Synchronous activation of 2, 4 or 6 lifting modules
- ▶ Can be mounted in any position
- ▶ Incl. friction clutch for load control
- ▶ 4 mm lift per rotation
- ▶ Crank handle, retractable



Pump	Max. Load (N)	Quantity Lift module	L _P (mm)	W _P (mm)	H _P (mm)	No.
	1600	2	702.5 ^{±2}	30	80	3 842 552 133
	3200	4	702.5 ^{±2}	56	68	3 842 552 134
	3200	6	714.5 ^{±2}	60	120	3 842 552 135

Scope of delivery: Pump incl. hand crank and quick-release coupling

Condition on delivery: Assembled, filled with food-safe HPL oil of class NSF H1



Connecting plate

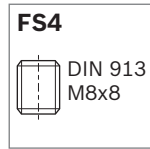
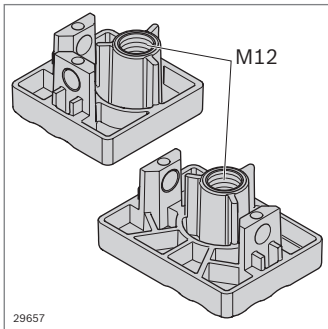
- For mounting the lift module on a foot, profile or table top

Connecting plate	No.	FS
Set	3 842 552 176	4xFS1, 2xFS2, 4xFS3

Material: Aluminum

Fastening material: steel, galvanized

Scope of delivery: 2 x connecting plate; Incl. fastening material (FS)



Adapter plate

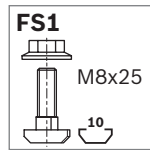
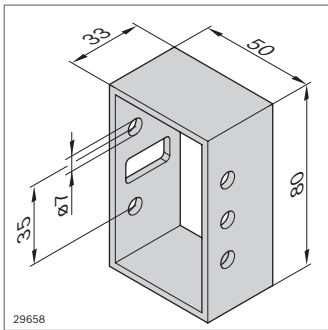
- For connecting a leveling foot (e.g. 3 842 529 025) to the lifting module

Adapter plate	No.	FS
45x45	Set 3 842 552 174	4xFS4
45x60	Set 3 842 552 175	4xFS4

Material: Diecast zinc

Fastening material: steel; galvanized,

Scope of delivery: 2 x adapter plate; incl. fastening material (FS)



Connection adapter

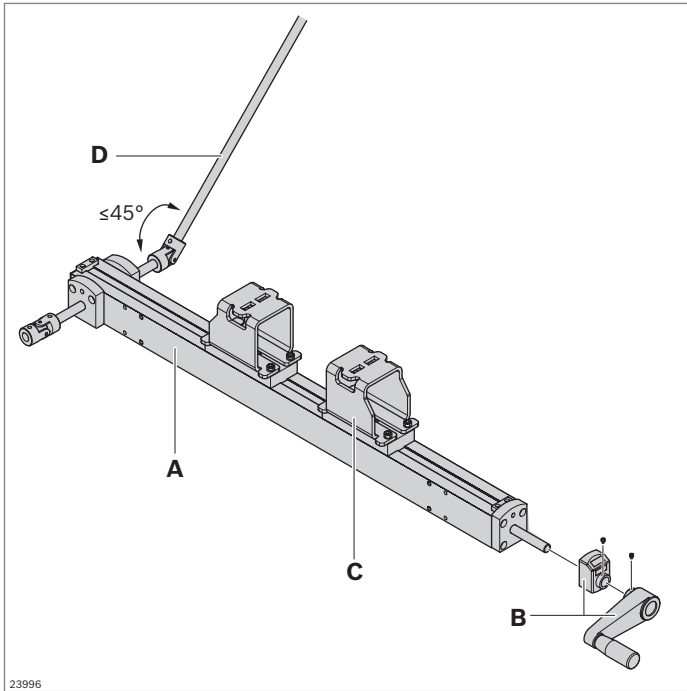
- For mounting the pump on a profile or a table top
- Depending on the pump size, connection requires 3 countersunk screws (ISO 10642, M6, 8.8) which are either 40 mm long (pump for 2 lifting modules) or 70 mm long (pump for 4 or 6 lifting modules)

Connection adapter	No.	FS
Set	3 842 552 177	2xFS1

Material: Aluminum

Fastening material: steel, galvanized

Scope of delivery: 2 x connection adapter; Incl. fastening material (FS)



23996

Adjustment unit

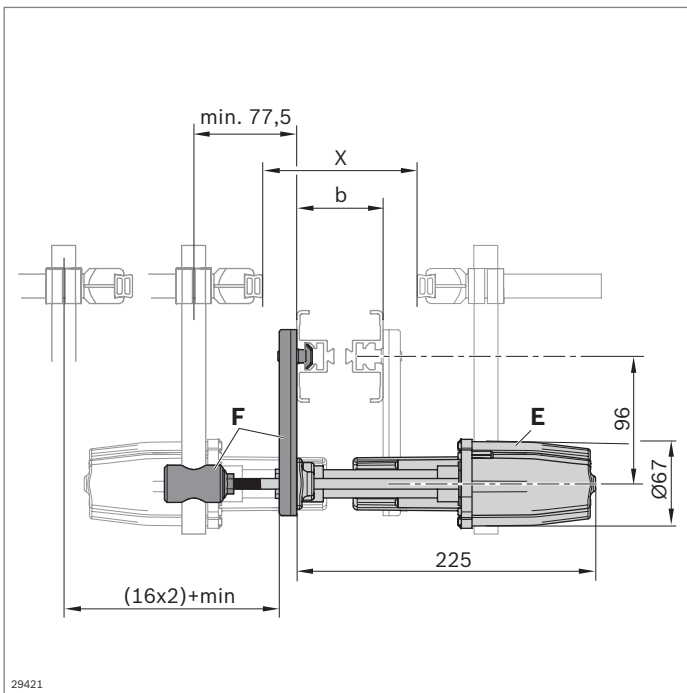
- Can be used for parallel width adjustment

Adjustment unit (A)	No.
	3 842 547 971

Crank handle (B)	No.
	3 842 547 990

Connection kit (C)	No.
	3 842 547 729

Profile rail D12 (D)	L (mm)	No.
1 pc	200 ... 3000	3 842 993 306 / L
6 pcs	3000	3 842 533 841



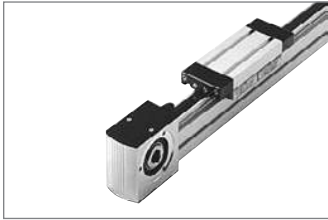
29421

- Can be used for automatic (pneumatic) adjustment of lateral guides
- see also VarioFlow *plus* catalog (**R999000401**)

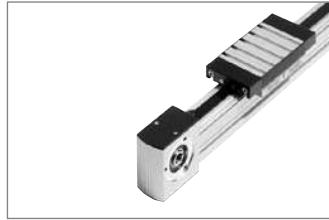
Adjustment unit (E)	No.
	3 842 547 707

Assembly kit (F)	No.
	3 842 547 718

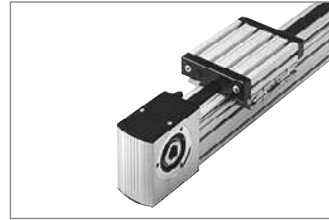
Linear guides



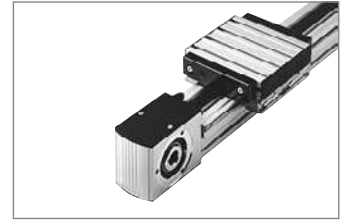
Cam roller guides LF6S
(p. 13-6)



Cam roller guides LF6C
(p. 13-11)



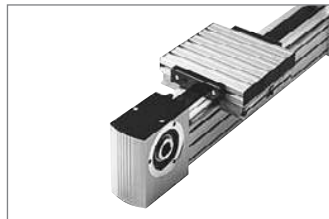
Cam roller guides LF12S
(p. 13-16)



Cam roller guides LF12C
(p. 13-23)



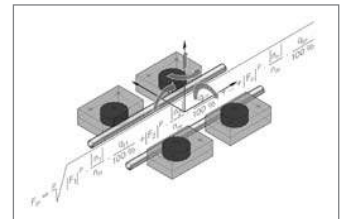
Cam roller guides LF20S
(p. 13-30)



Cam roller guides LF20C
(p. 13-37)



Center shafts, synchronous
shafts (p. 13-47)

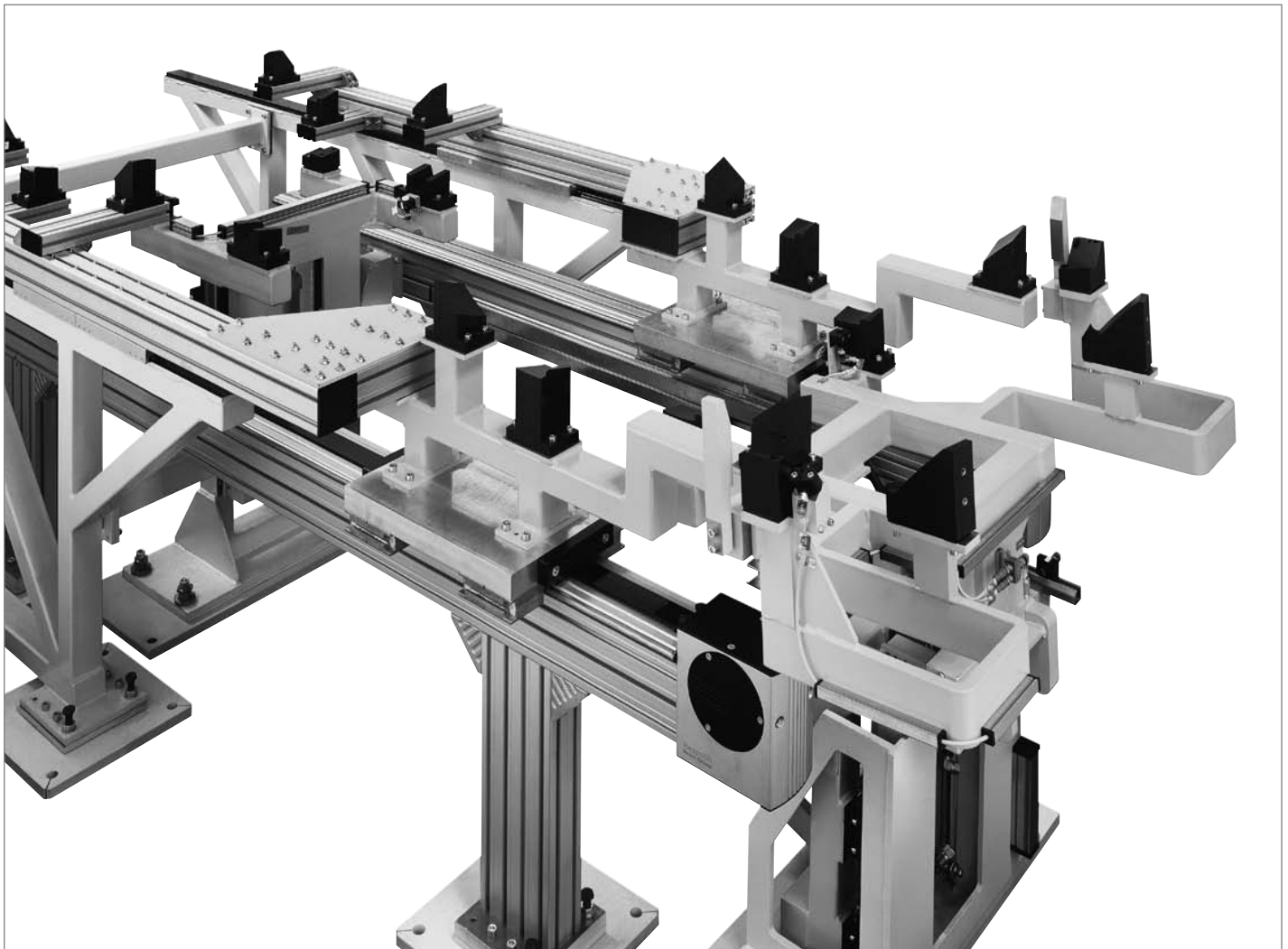


Design (p. 13-49)

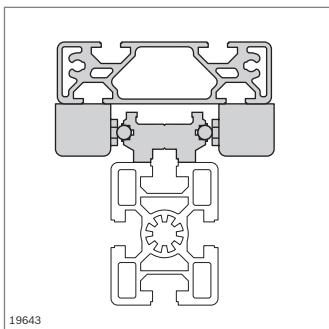
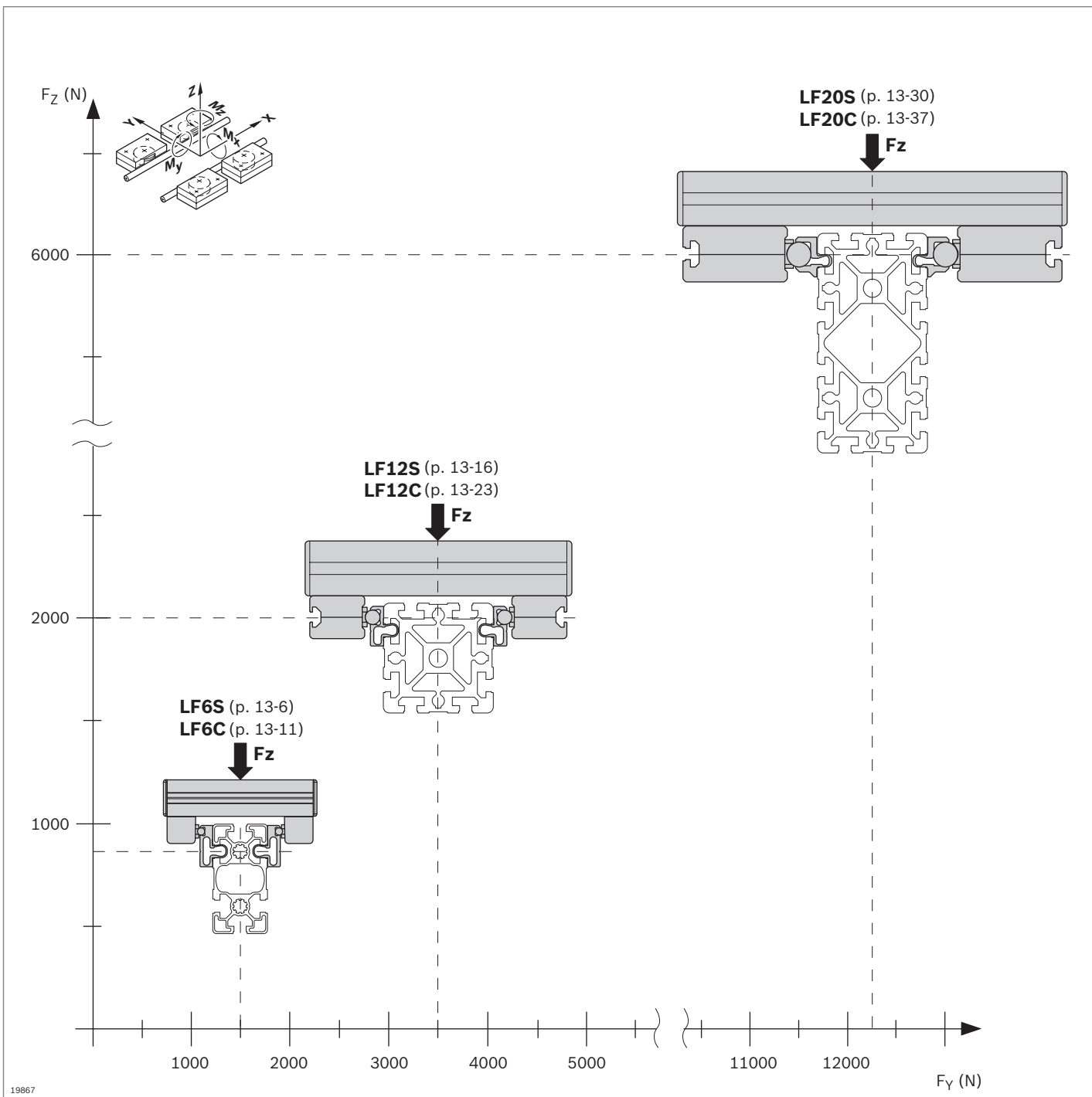


Linear guides

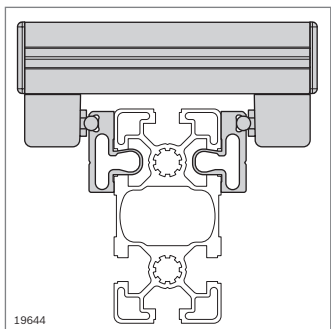
- ▶ For constructing linear guides based on cam roller guides
- ▶ Cam roller guides are suitable for applications with high speeds and medium loads, in particular for the construction of handling equipment, feed systems, guides in work machines, and many other applications
- ▶ Fully pre-assembled in any required length or as individual components for assembly on site
- ▶ Without drive or with toothed-belt drive for attaching gears and motors



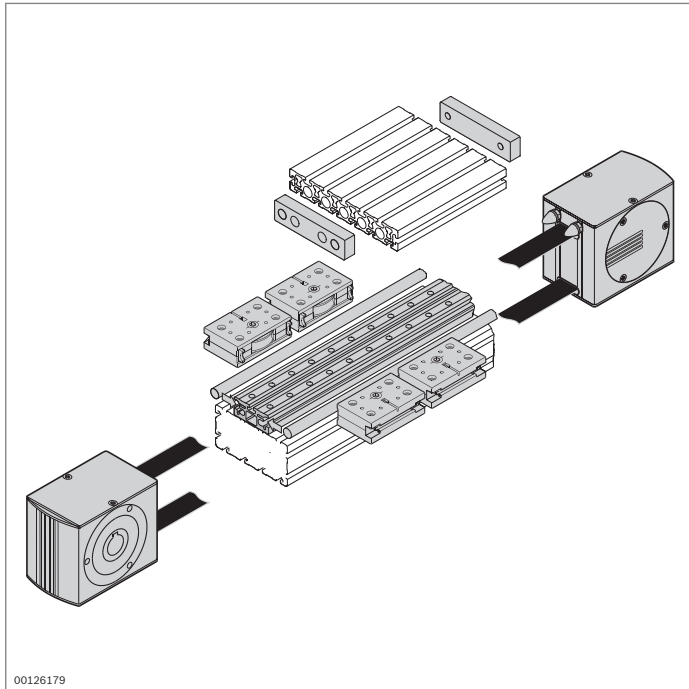
Linear guides – sizes, designs, and loads



- LF...S**
- ▶ Compact construction
 - ▶ Fixed track width
 - ▶ $v_{max} = 5 \text{ m/s}$

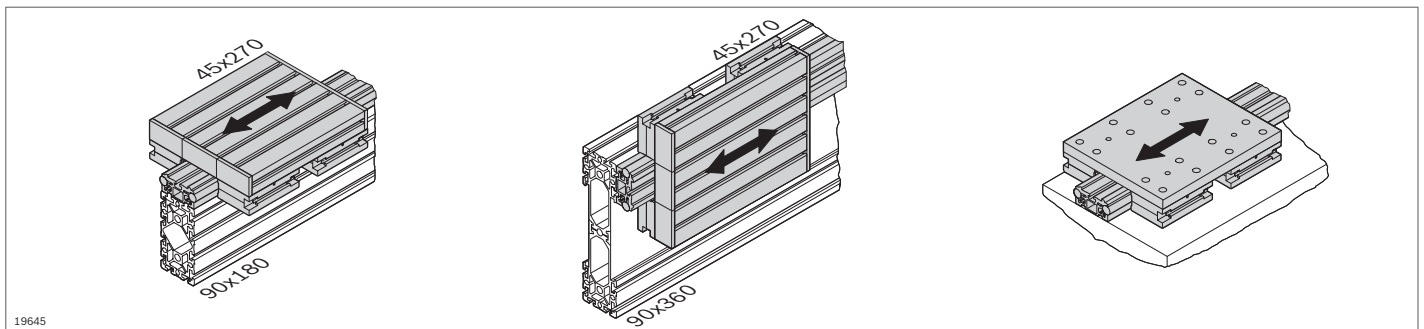


- LF...C**
- ▶ Freely selectable track width for greater torque absorption
 - ▶ $v_{max} = 5 \text{ m/s}$



Cam roller guides LF...S

- ▶ Cam roller guide LF...S with fixed track widths
- ▶ Guide rail made of aluminum with hardened and polished VA guide rods
- ▶ Simple mounting on strut profile or directly on flat surface, e.g. on a machine
- ▶ High precision, dimensional stability and torsional rigidity
- ▶ Lighter and cheaper than steel guides
- ▶ Light trolley with good torsional rigidity
- ▶ Freely selectable trolley lengths
- ▶ Freely selectable stroke lengths possible
- ▶ High permissible speed

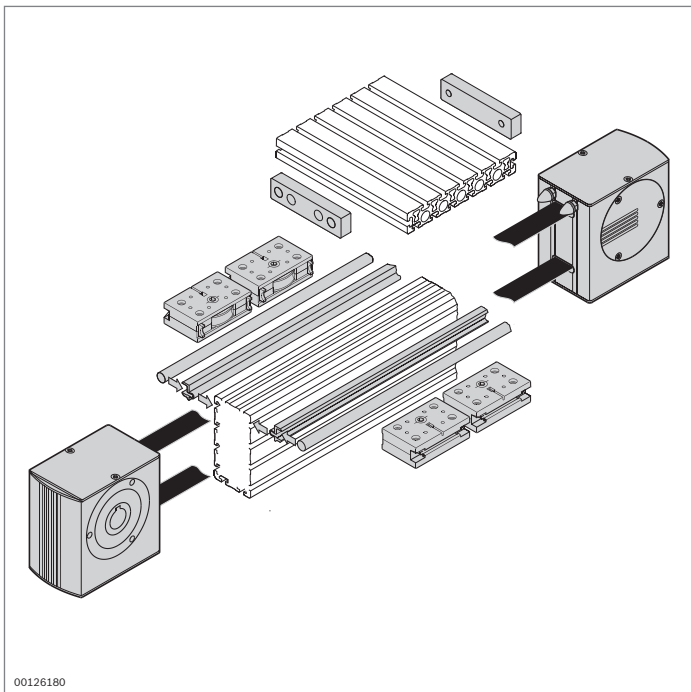


The support profiles shown here are examples

Profile	Width	Height	F_y max	F_z max	M_x max	v_{max}
LF6S	90	110,5	1400 N	850 N	13,6 Nm	5 m/s
LF12S	180	172,5	3500 N	2000 N	78 Nm	5 m/s
LF20S	270	182,5	12500 N	6000 N	240 Nm	5 m/s

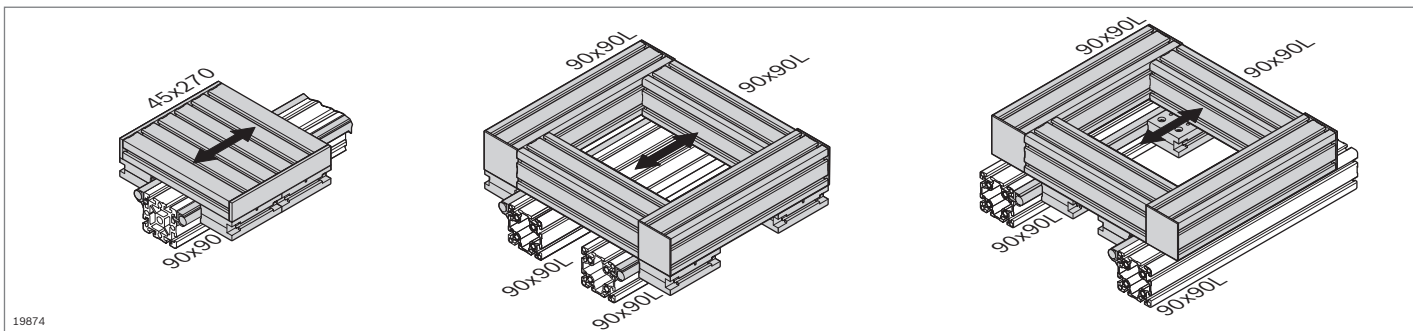
19646

Cam roller guides LF...C



- ▶ Cam roller guide LF...C for free choice of track widths and large track widths
- ▶ Clamping profile made of aluminum with hardened and polished VA guide rods
- ▶ Easy assembly through clipping the clamping profile into the slots of any Rexroth profile with 10 mm slot
- ▶ Optimally adjustable to different loads
- ▶ Greater torque absorption due to a C construction and free choice of track width
- ▶ Light trolley with good torsional rigidity
- ▶ Freely selectable trolley lengths and widths
- ▶ Freely selectable stroke lengths possible
- ▶ High permissible speed

00126180



19874

13

The support profiles shown here are examples

LF6C

45x90
B (=64)

LF12C

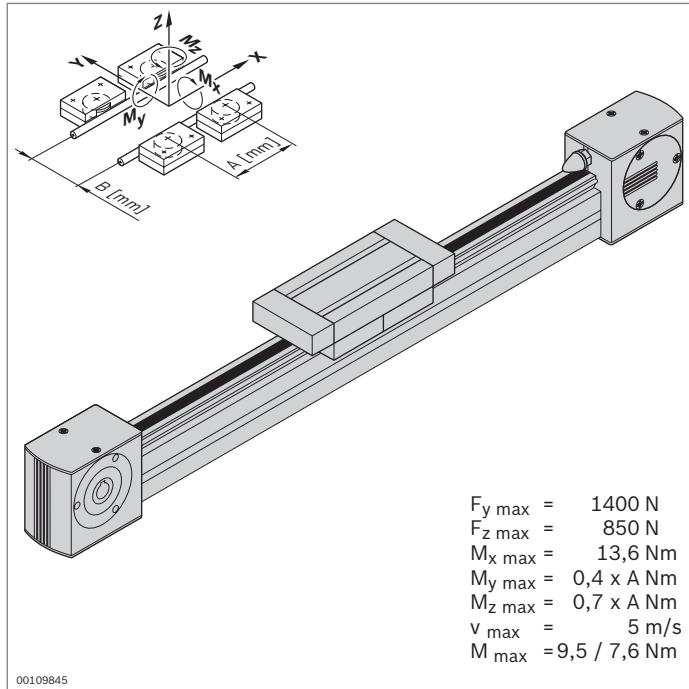
90x90
B (=108)

LF20C

90x180
B (=120)

<p>$F_y \text{ max} = 1400 \text{ N}$ $F_z \text{ max} = 850 \text{ N}$ $M_x \text{ max} = 0,4 \times B \text{ Nm}$ $M_x \text{ max} = 25,6 \text{ Nm (B=64mm)}$ $v_{\text{max}} = 5 \text{ m/s}$</p>	<p>$F_y \text{ max} = 3500 \text{ N}$ $F_z \text{ max} = 2000 \text{ N}$ $M_x \text{ max} = 1,0 \times B \text{ Nm}$ $M_x \text{ max} = 108 \text{ Nm (B=108mm)}$ $v_{\text{max}} = 5 \text{ m/s}$</p>	<p>$F_y \text{ max} = 12500 \text{ N}$ $F_z \text{ max} = 6000 \text{ N}$ $M_x \text{ max} = 3,0 \times B \text{ Nm}$ $M_x \text{ max} = 360 \text{ Nm (B=120 mm)}$ $v_{\text{max}} = 5 \text{ m/s}$</p>
--	---	---

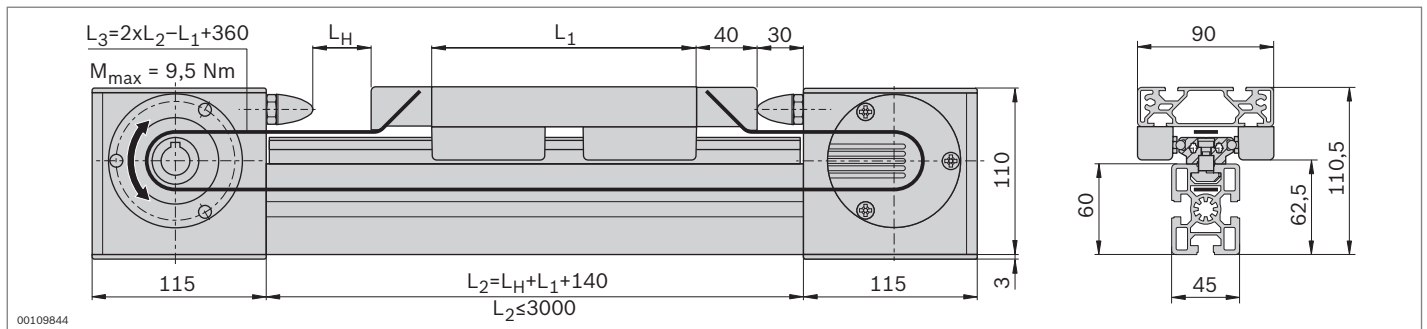
19647



Cam roller guide LF6S – complete axis



- ▶ Fully assembled cam roller guide
- ▶ Stroke and trolley length can be individually selected
- ▶ Rail profile screwed onto strut profile 45x60
- ▶ Incl. toothed belt drive; additional notes on the drive concept (p. 13-44)



Technical data

See pages 13-57 for notes on layout and drive

Complete axis LF6S	L_H / L_1 (mm)	No.
	$L_1 + 80 \leq L_H \leq 2710$	3 842 998 495 / L_H / L_1
	$150 \leq L_1 \leq 1000$	

Cam roller guide LF6S – components

- Components for the individual assembly of cam roller guides, with or without drive

Parts list for cam roller guide LF6S without drive

Component	No.	Qty.	Page
A Profile 45x60	3 842 990 570 / L_2	1	2-42
B Guide profile LF6S	3 842 993 966 / L_2 3 842 539 413	1	13-8
C Trolley profile LF6S	3 842 993 061 / L_1	1	13-8
D Cover cap LF6S	3 842 535 645	2	13-9
E Guide bearing LF6	3 842 535 662	4	13-8
F Cover cap 45x60	3 842 548 755	2	2-42
K Cylinder bolt M6x20 – DIN7984		n ¹⁾	
L T-nut M6, 10 mm slot	3 842 530 285	n ¹⁾	3-5
M Sliding block	3 842 146 877	n ¹⁾	13-8

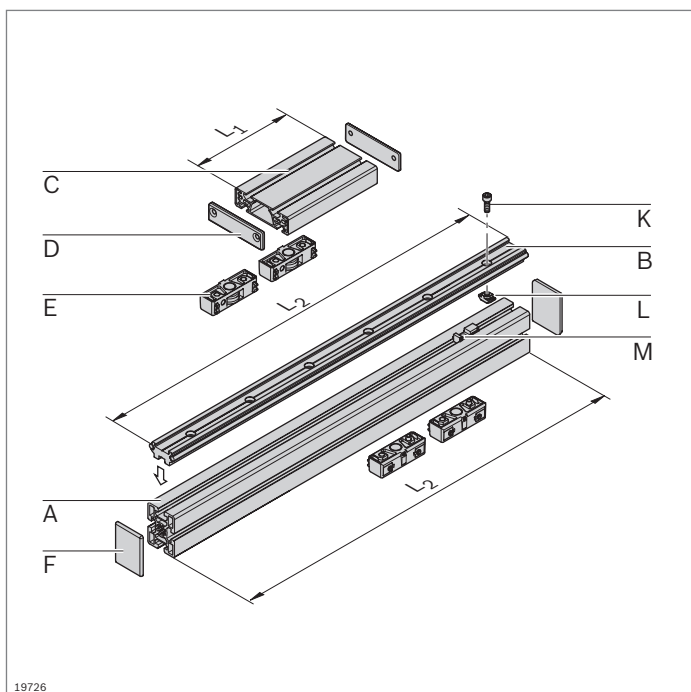
¹⁾ For identification see page 13-8

Parts list for cam roller guide LF6S with drive

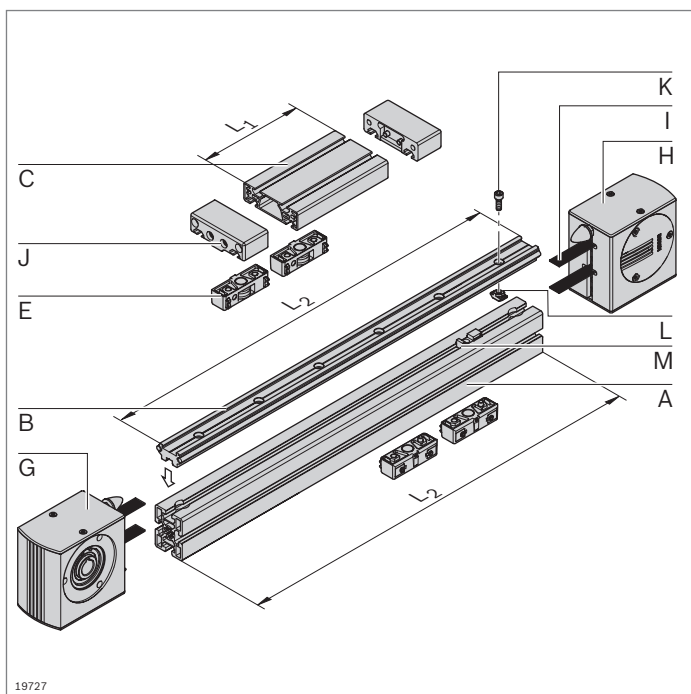
Component	No.	Qty.	Page
A Profile 45x60 LF6S	3 842 993 085 / L_2	1	2-42
B Guide profile LF6S	3 842 993 966 / L_2 3 842 539 413	1	13-8
C Trolley profile LF6S	3 842 993 061 / L_1	1	13-8
E Guide bearing LF6	3 842 535 662	4	13-8
G Drive head LF6S	3 842 526 410	1	13-9
H Return head LF6S	3 842 526 411	1	13-10
I Toothed belt LF6S	3 842 994 659 / L_3 ¹⁾	1	13-10
J Belt connector LF6S	3 842 535 682	2	13-10
K Cylinder bolt M6x20 – DIN7984		n ²⁾	
L T-nut M6, 10 mm slot	3 842 530 285	n ²⁾	3-5
M Sliding block	3 842 146 877	n ²⁾	13-8

¹⁾ $L_3 = 2 \times L_2 - L_1 + 360$

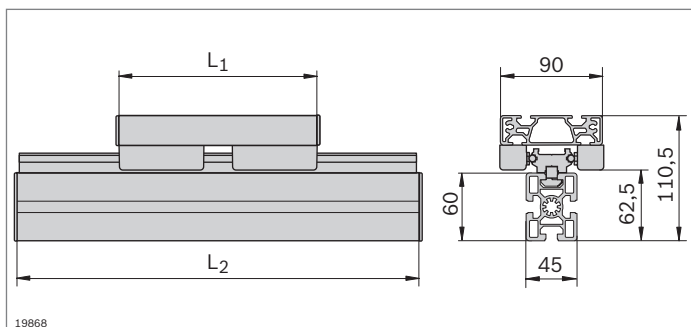
²⁾ For identification see page 13-8



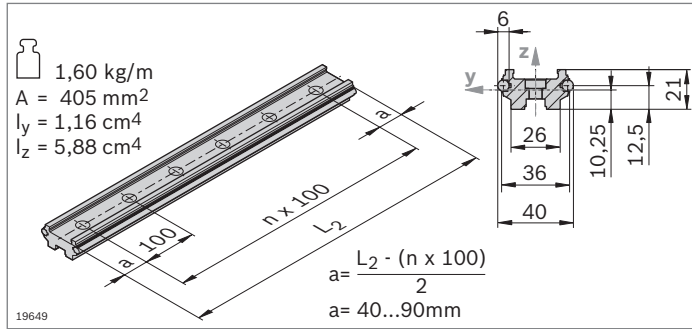
19726



19727



19868



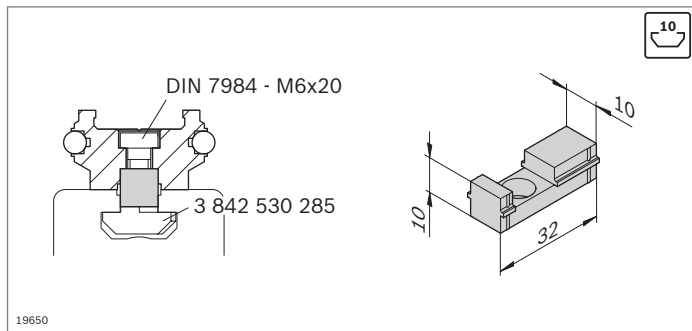
- ▶ Guide profile LF6S with integrated guide rods
- ▶ Installation on MGE strut profiles with 10 mm slot or directly on a flat surface

Guide profile	L ₂ (mm)	No.
LF6S	1 pc 150 ... 3000	3 842 993 966 / L₂
	10 pcs	3000 3 842 539 412
	1 pc	3000 3 842 539 413

Material: Guide profile: aluminum, anodized
Guide rod: Solid shaft VA, induction hardened, polished

Condition on delivery: Ungreased guide rods; greasing according to assembly instructions **3 842 527 226**

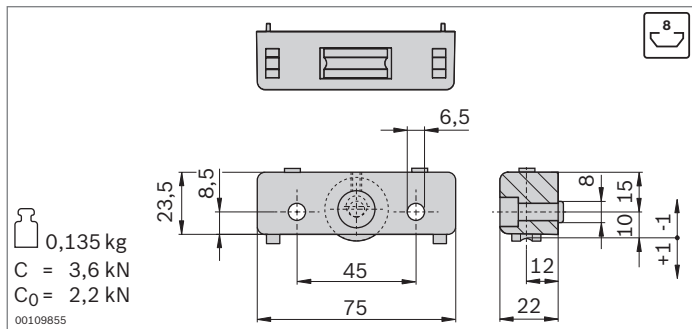
Accessories: Cylinder bolt DIN 7984 – M6x20
required: T-nut M6, 10 mm slot **3 842 530 285** (p. 3-5)



- ▶ Sliding block as a centering aid for mounting the guide profile in a 10 mm profile slot

Sliding block	No.
	50 3 842 146 877

Material: PA; black



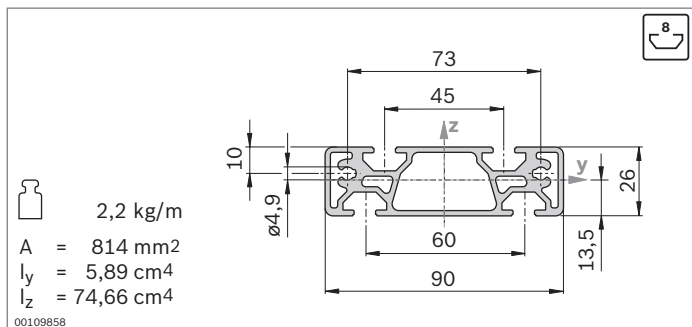
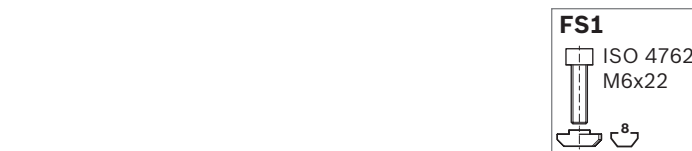
- ▶ Guide bearing for trolley construction
- ▶ Guiding via guide rod
- ▶ Rollers with ball bearings, permanently lubricated
- ▶ Lubricating felts with guide rod lubrication reservoir
- ▶ Play-free roller adjustment via eccentric bolts

Guide bearing	No.	FS
LF6	2	3 842 535 662 2xFS1

Material: Housing: diecast aluminum
Roller: steel, hardened, polished

Scope of delivery: Incl. fastening material (FS)

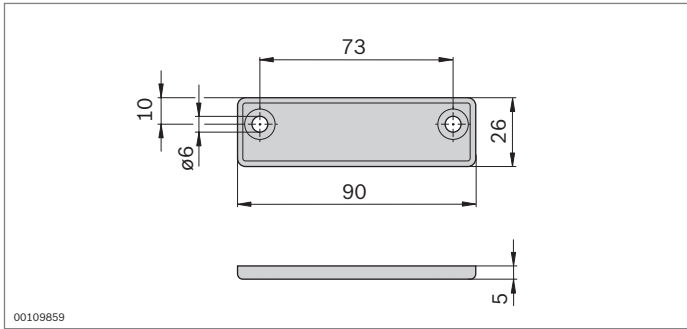
Condition on delivery: Lubricating felts ungreased; greasing according to assembly instructions **3 842 527 226**



- ▶ Trolley profile for the construction of trolley LF6S

Trolley profile	L ₁ (mm)	No.
LF6S	150 ... 3000	3 842 993 061 / L₁

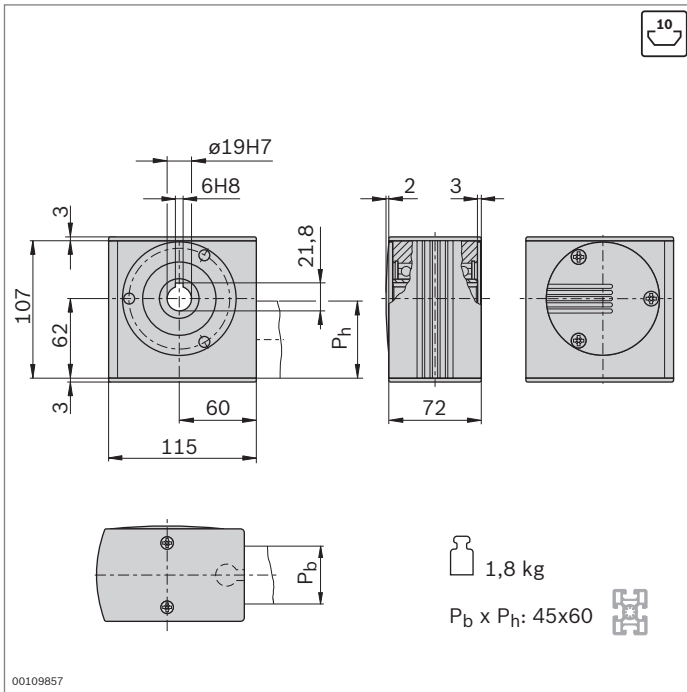
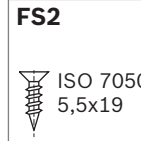
Material: Aluminum, anodized



- ▶ Cover cap for trolley profile LF6S
- ▶ For use on trolleys which are not driven by a toothed belt

Cover cap	No.	FS
LF6S	2 3 842 535 645	2xFS2

Material: PA; black

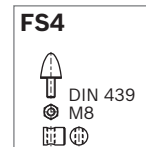
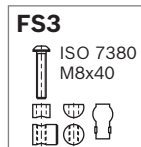


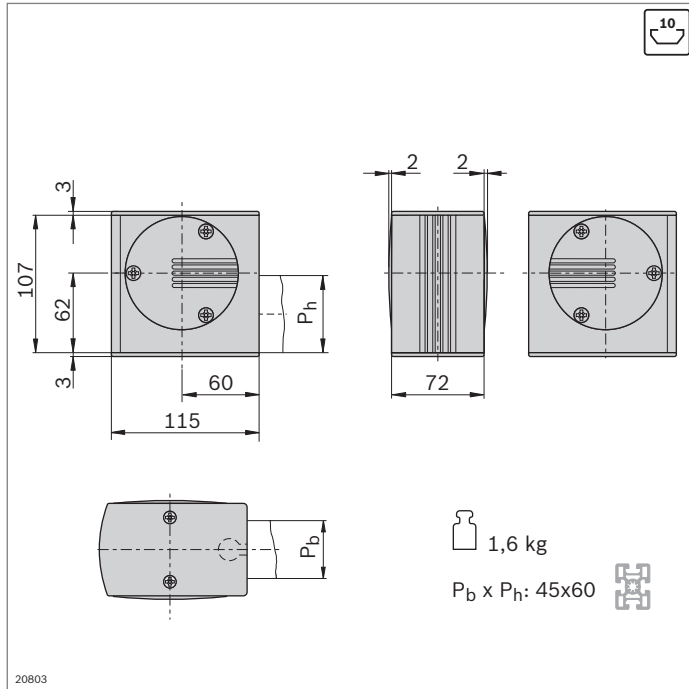
- ▶ Drive head for transferring drive torque to a toothed belt
- ▶ For direct mounting of a motor or (in conjunction with a center shaft) for mounting a hollow shaft gear or a coupling (p. 13-46)
- ▶ Mounted with longitudinal end connector directly on profile 45x60
- ▶ Profile machining: LF blind hole drilling for longitudinal end connector

Drive head	No.	FS
LF6S	3 842 526 410	2xFS3, FS4

Material: Aluminum, anodized
Hollow shaft: steel; galvanized
Cover caps: PA; black

Scope of delivery: Incl. fastening material (FS), cover caps



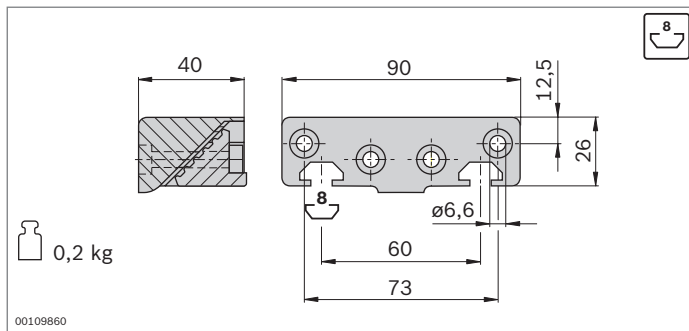
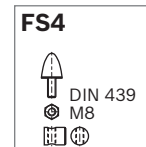
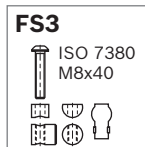


- ▶ Return head for tensioning the toothed belt and changing its direction
- ▶ Mounted directly on profile using longitudinal end connector
- ▶ Profile machining: LF blind hole drilling for longitudinal end connector

Return head	No.	FS
LF6S	3 842 526 411	2xFS3, FS4

Material: Aluminum, anodized
Hollow shaft: steel; galvanized
Cover caps: PA; black

Scope of delivery: Incl. fastening material (FS), cover caps

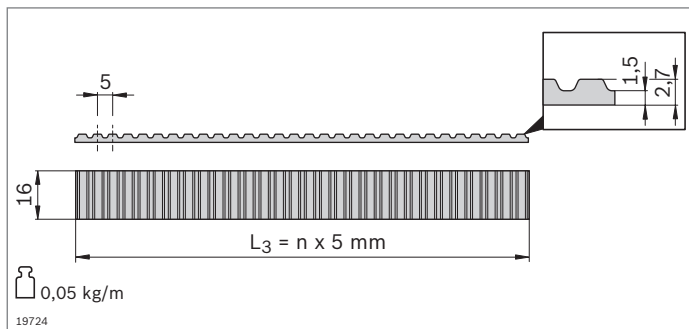
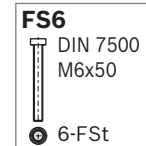


- ▶ Belt connector for fixing the toothed belt on the front of the trolley
- ▶ All connecting parts for mounting on the trolley profile LF6S are included

Belt connector	No.	FS
LF6S	2	3 842 535 682 2xFS5, 2xFS6

Material: Aluminum, painted black

Scope of delivery: Incl. fastening material (FS)

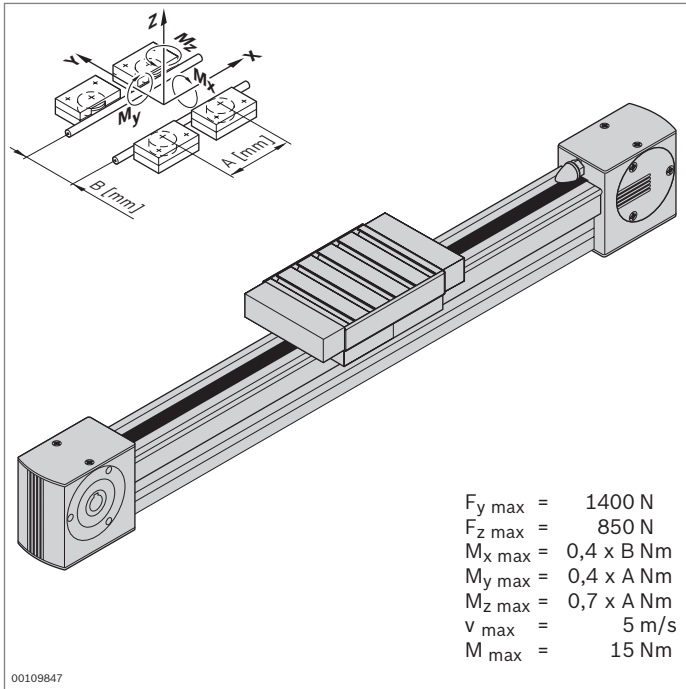


- ▶ Toothed belt as a trolley drive
- ▶ Pitch: AT5

Toothed belt	L ₃ (mm)	No.
LF6S	300 ... 50000	3 842 994 659 / L₃¹⁾
	50000	3 842 513 646

¹⁾ L₃ = 2xL₂ - L₁ + 360

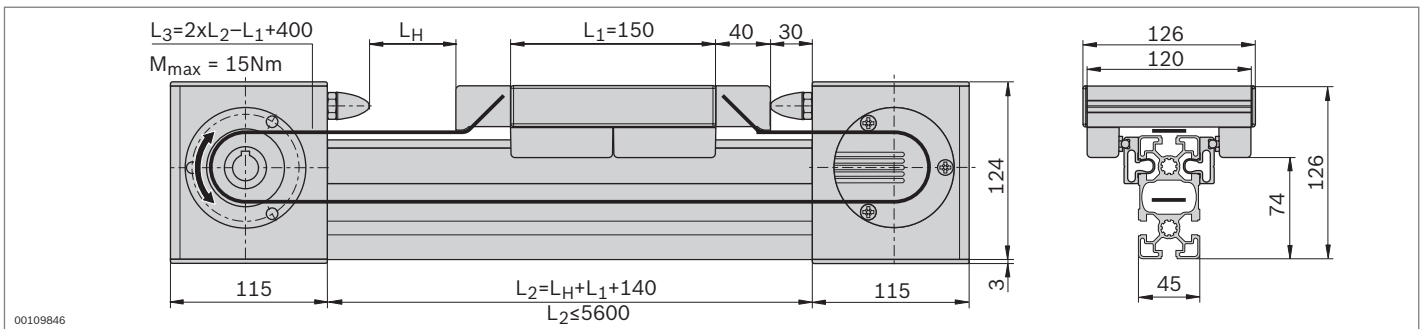
Material: PU with embedded steel wires



Cam roller guide LF6C – complete axis



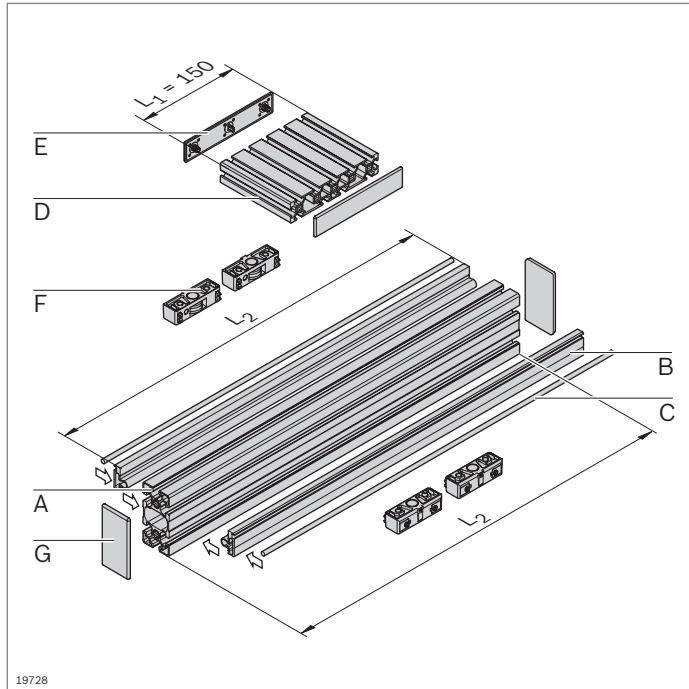
- ▶ Fully assembled cam roller guide
- ▶ Stroke can be individually selected
- ▶ Clamping profile clipped into strut profile 45x90L
- ▶ Incl. toothed belt drive; additional notes on the drive concept (p. 13-44)



Technical data

See pages 13-50 for notes on layout and drive

Complete axis	L_H (mm)	No.
LF6C	50 ... 5310	3 842 998 496 / L_H

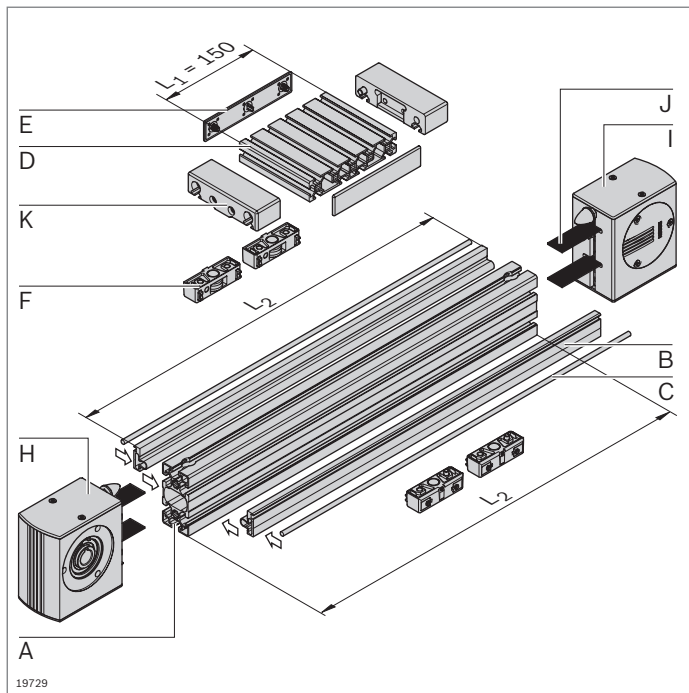


Cam roller guide LF6C – components

- Components for the individual assembly of cam roller guides, with or without drive

Parts list for cam roller guide LF6C without drive

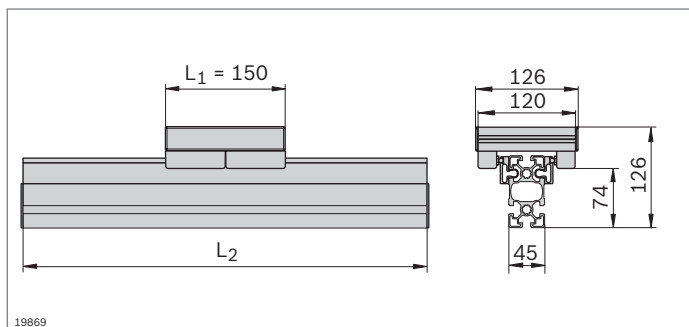
Component	No.	Qty.	Page
A Profile 45x90L	3 842 992 432 / L ₂	1	2-43
B Clamping profile LF6C	3 842 992 925 / L ₂ 3 842 518 893	2	13-13
C Guide rod LF6	3 842 993 967 / L ₂	2	13-13
D Trolley profile LF6C	3 842 993 952 / 120 mm	1	13-13
E Cover cap LF6C	3 842 539 120	2	13-14
F Guide bearing LF6	3 842 535 662	4	13-13
G Cover cap 45x90	3 842 548 757	2	2-43

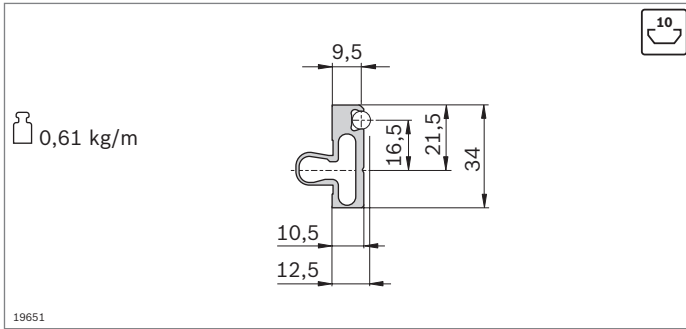


Parts list for cam roller guide LF6C with drive

Component	No.	Qty.	Page
A Profile 45x90L LF6C	3 842 993 084 / L ₂	1	2-43
B Clamping profile LF6C	3 842 992 925 / L ₂ 3 842 518 893	2	13-13
C Guide rod LF	3 842 993 967 / L ₂	2	13-13
D Trolley profile LF6C	3 842 993 952 / 120 mm	1	13-13
E Cover cap LF6C	3 842 539 120	2	13-14
F Guide bearing LF6	3 842 535 662	4	13-13
H Drive head LF6C	3 842 526 416	1	13-14
I Return head LF6C	3 842 526 417	1	13-15
J Toothed belt LF6C	3 842 994 711 / L ₃ ¹⁾	1	13-15
K Belt connector LF6C	3 842 535 681	2	13-15

¹⁾ L₃ = 2xL₂ - L₁ + 400

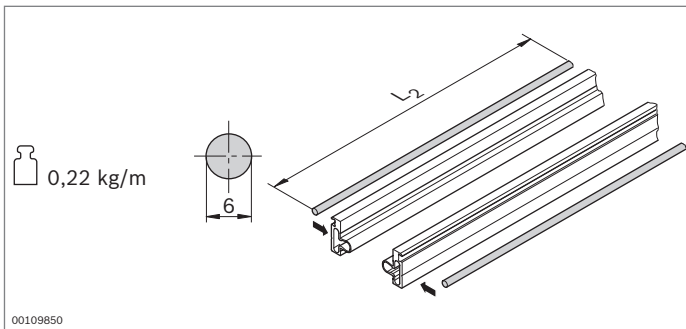




- ▶ The clamping profile is clipped into any 10 mm slot of the strut profile and it holds the guide rods

Clamping profile	L ₂ (mm)	No.
LF6C	1 pc 150 ... 3000	3 842 992 925 / L₂
	20 pcs	3 842 518 896
	1 pc	3 842 518 893

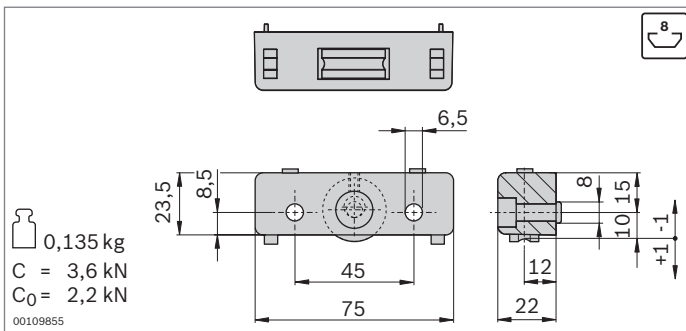
Material: Aluminum, anodized



- ▶ The guide rod is pressed into the clamping profile
- ▶ The guide rod guides the guide bearing

Guide rod	L ₂ (mm)	No.
LF6	150 ... 3000	1 3 842 993 967 / L₂
	3000	20 3 842 539 414

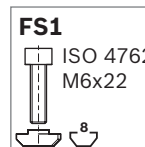
Material: Solid shaft VA, induction hardened, polished
 Condition on delivery: Ungreased; greasing according to assembly instructions **3 842 527 226**



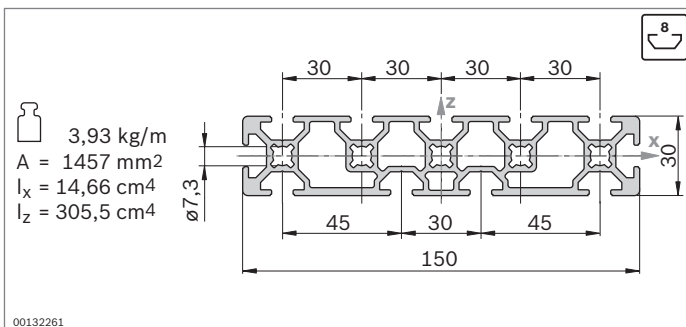
- ▶ Guide bearing for trolley construction
- ▶ Guiding via guide rod
- ▶ Rollers with ball bearings, permanently lubricated
- ▶ Lubricating felts with guide rod lubrication reservoir
- ▶ Play-free roller adjustment via eccentric bolts

Guide bearing	No.	FS
LF6	2 3 842 535 662	2xFS1

Material: Housing: die-cast aluminum
 Roller: steel, hardened, polished
 Scope of delivery: Incl. fastening material (FS)
 Condition on delivery: Lubricating felts ungreased; greasing according to assembly instructions **3 842 527 226**

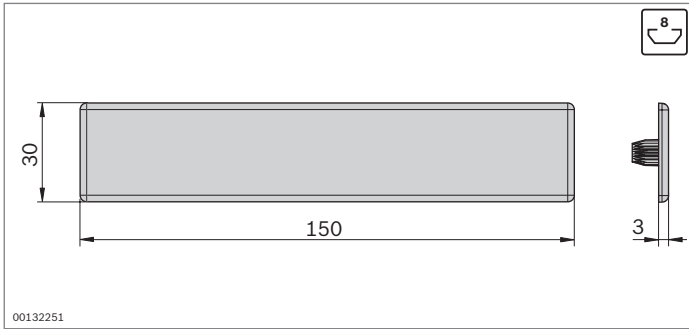


- ▶ Trolley profile for the construction of trolley LF6C



Trolley profile	L (mm)	No.
LF6C	150 ... 3000	3 842 993 952 / L

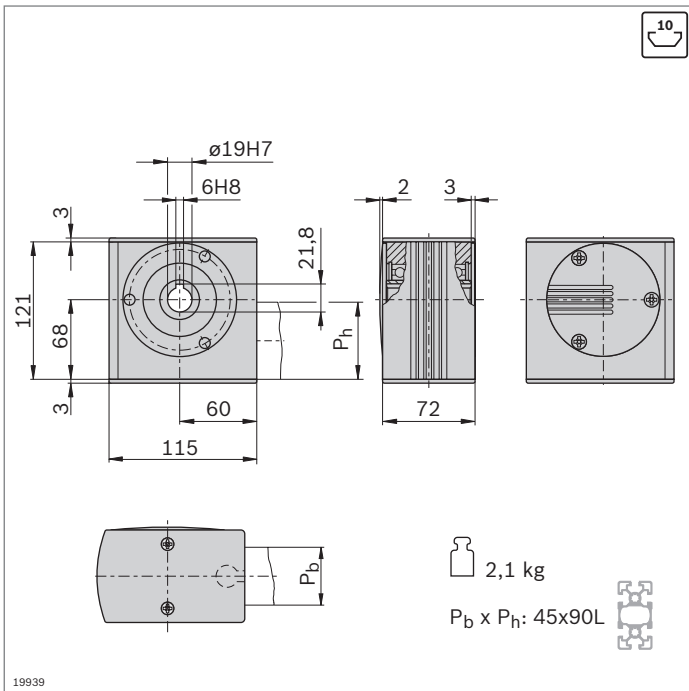
Material: Aluminum, anodized



- ▶ Cover cap for trolley profile LF6C
- ▶ For use on trolleys which are not driven by a toothed belt

Cover cap		No.
LF6C	2	3 842 539 120

Material: PA, black

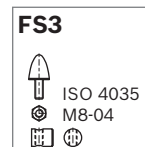
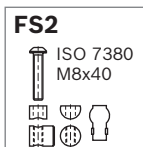


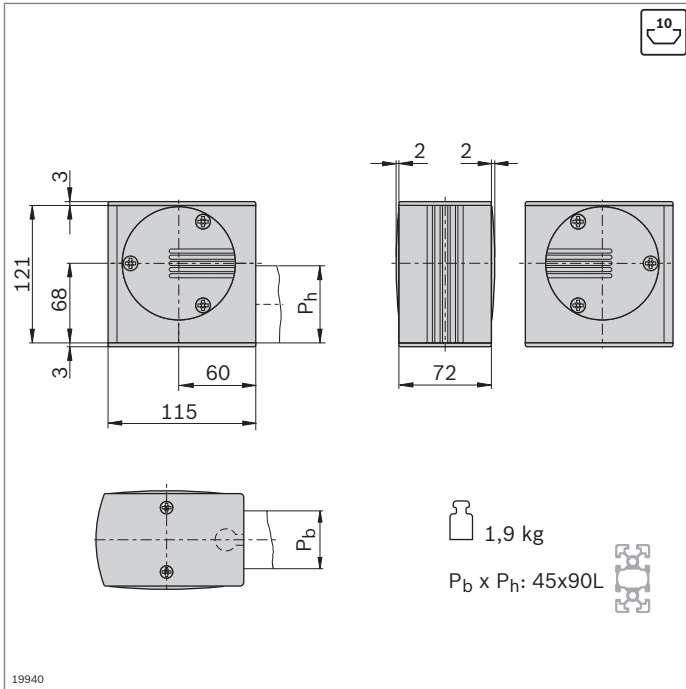
- ▶ Drive head for transferring drive torque to a toothed belt
- ▶ For direct mounting of a motor or (in conjunction with a center shaft) for mounting a hollow shaft gear or a coupling (p. 13-46)
- ▶ Mounted directly on profile 45x90L using longitudinal end connector
- ▶ Profile machining: LF blind hole drilling for longitudinal end connector

Drive head	No.	FS
LF6C	3 842 526 416	2xFS2, FS3

Material: Aluminum, anodized
Hollow shaft: steel; galvanized
Cover caps: PA, black

Scope of delivery: Incl. fastening material (FS), cover caps



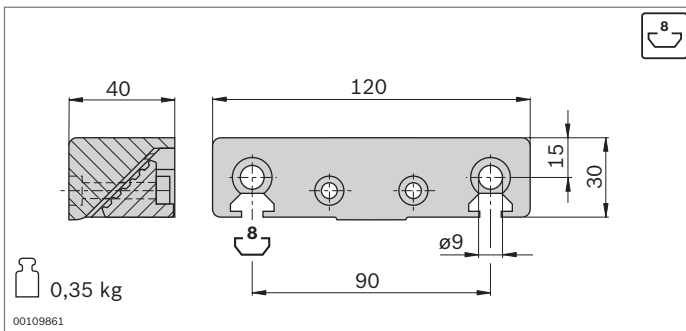
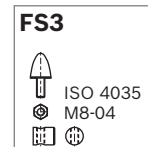
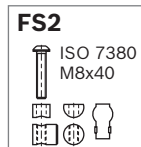


- ▶ Return head for tensioning the toothed belt and changing its direction
- ▶ Mounted directly on profile 45x90L using longitudinal end connector
- ▶ Profile machining: LF blind hole drilling for longitudinal end connector

Return head	No.	FS
LF6C	3 842 526 417	2xFS2, FS3

Material: Aluminum, anodized
Hollow shaft: steel; galvanized
Cover caps: PA, black

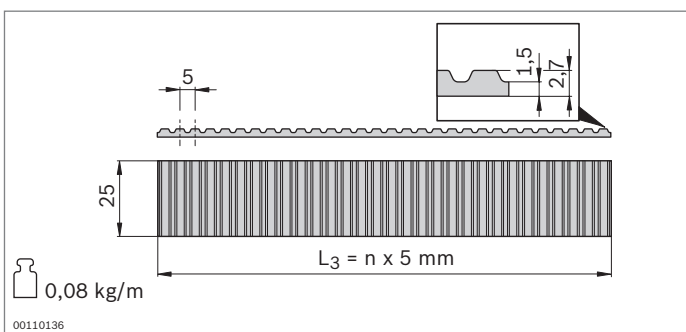
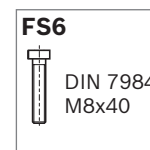
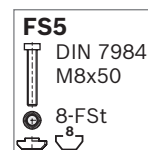
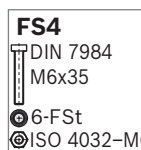
Scope of delivery: Incl. fastening material (FS), cover caps



- ▶ Belt connector for fastening the toothed belt to the trolley slot
- ▶ All connecting parts for mounting on the trolley profile LF6C are included

Belt connector	No.	FS
LF6C	2	2xFS4, 2xFS5, 2xFS6

Material: Aluminum, painted black
Scope of delivery: Incl. fastening material (FS)

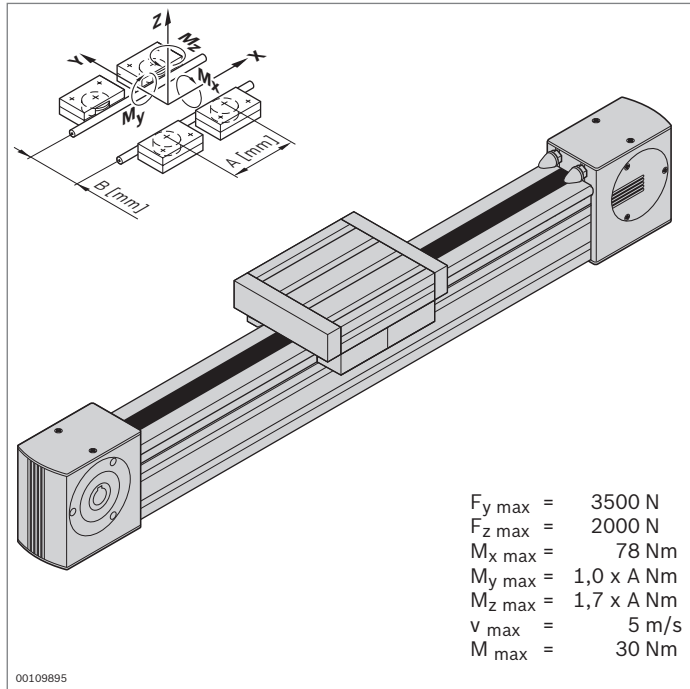


- ▶ Toothed belt as a trolley drive
- ▶ Pitch: AT5

Toothed belt	L ₃ (mm)	No.
LF6C	300 ... 50000	3 842 994 711 / L₃¹⁾
	50000	3 842 518 856

¹⁾ L₃ = 2xL₂ - L₁ + 400

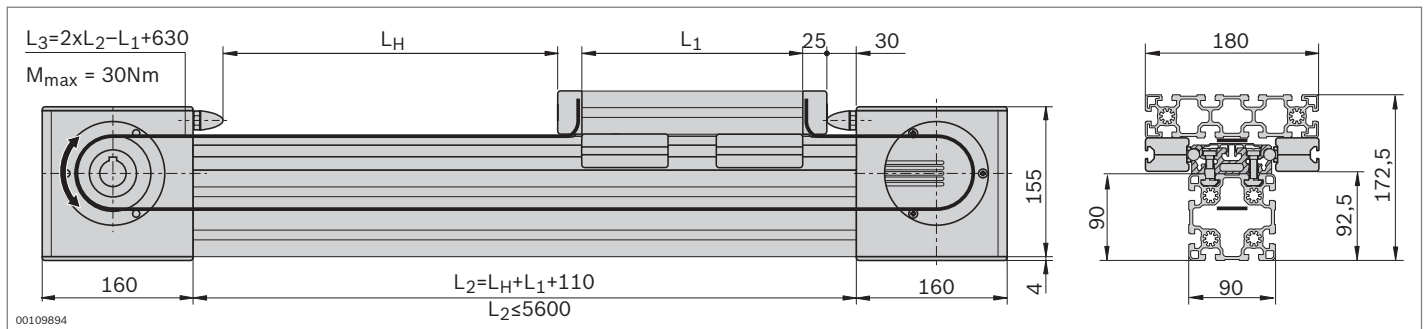
Material: PU with embedded steel wires



Cam roller guide LF12S – complete axis



- ▶ Fully assembled cam roller guide
- ▶ Stroke and trolley length can be individually selected
- ▶ Rail profile screwed onto strut profile 90x90L
- ▶ Incl. toothed belt drive; additional notes on the drive concept (p. 13-44)



Technical data




See pages 13-57 for notes on layout and drive

Complete axis	L_H / L_1 (mm)	No.
LF12S	$L_1 + 50 \leq L_H \leq 5310$ $180 \leq L_1 \leq 1000$	3 842 998 497 / L_H / L_1

Cam roller guide LF12S – components




- Components for the individual assembly of cam roller guides, with or without drive

Parts list for cam roller guide LF12S without drive

Component	No.	Qty.	Page
A Profile 90x90L 	3 842 992 415 / L ₂	1	2-48
B Guide profile LF12S	3 842 992 438 / L ₂ 3 842 511 903	1	13-18
C Guide rod LF12	3 842 993 968 / L ₂	2	13-18
D Cover profile LF12S	3 842 993 062 / L ₂ 3 842 526 500	1	13-18
E Profile 45x180	3 842 990 335 / L ₁	1	2-46
F Cover cap 45x180	3 842 548 795	2	2-46
G Guide bearing LF12	3 842 535 664	4	13-19
H Cover cap 90x90L	3 842 548 759 	2	2-48
M Cylinder bolt DIN 7984 – M8x30		n ¹⁾	
N T-nut M8, 10 mm slot	3 842 530 287 	n ¹⁾	3-5
O Sliding block	3 842 146 877	n ¹⁾	13-18

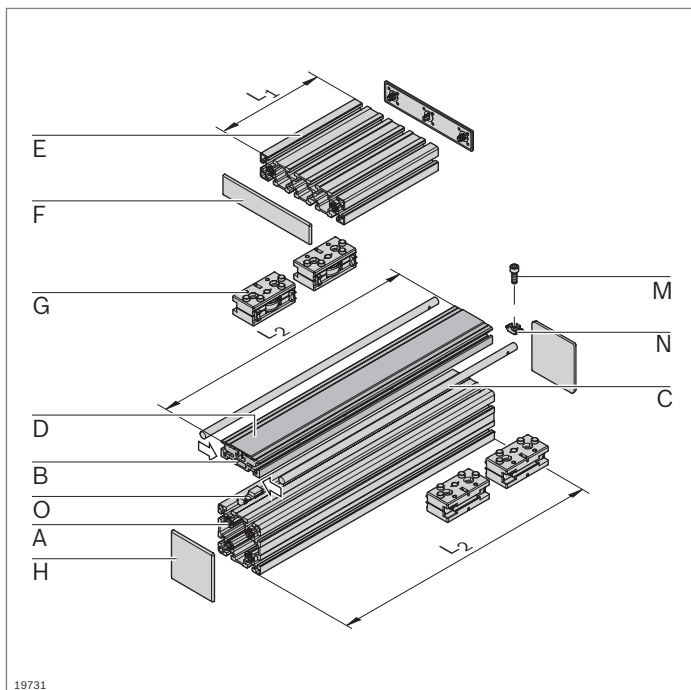
¹⁾ For identification see page 13-18

Parts list for cam roller guide LF12S with drive

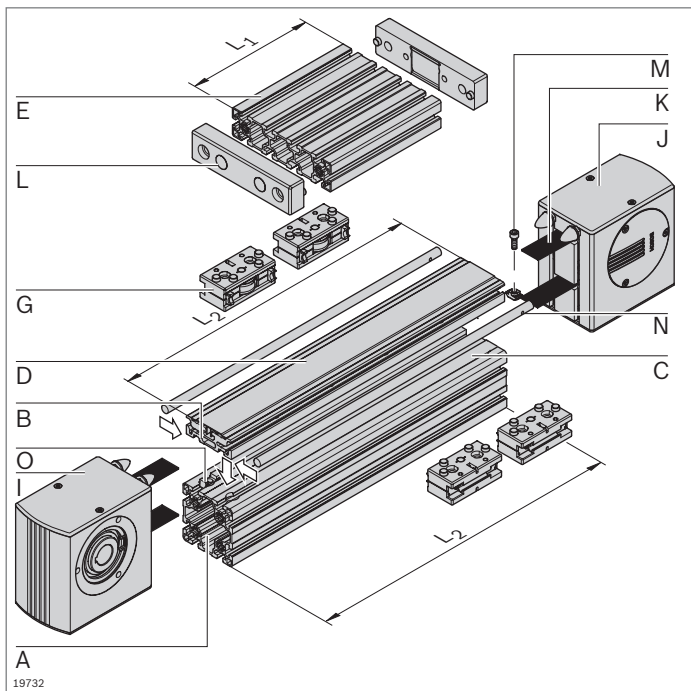
Component	No.	Qty.	Page
A Profile 90x90L LF12S  LF	3 842 992 418 / L ₂	1	2-48
B Guide profile LF12S	3 842 992 438 / L ₂ 3 842 511 903	1	13-18
C Guide rod LF12	3 842 993 968 / L ₂	2	13-18
D Cover profile LF12S	3 842 993 062 / L ₂ 3 842 526 500	1	13-18
E Profile 45x180 M12  M12	3 842 990 339 / L ₁	1	2-46
G Guide bearing LF12	3 842 535 664	4	13-19
I Drive head LF12S	3 842 526 412	1	13-21
J Return head LF12S	3 842 526 413	1	13-21
K Toothed belt	3 842 994 821 / L ₃ ¹⁾	1	13-22
L Belt connector	3 842 535 680	2	13-22
M Cylinder bolt DIN 7984 – M8x30		n ²⁾	
N T-nut M8, 10 mm slot	3 842 530 287 	n ²⁾	3-5
O Sliding block	3 842 146 877	n ²⁾	13-18

¹⁾ L₃ = 2xL₂ - L₁ + 630

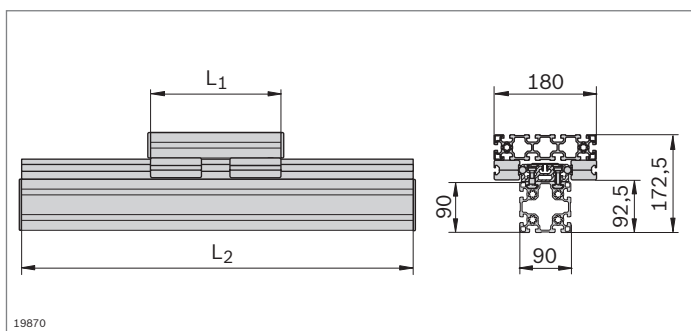
²⁾ For identification see page 13-18



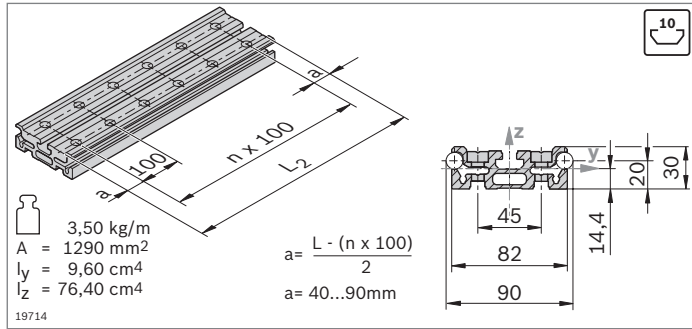
19731



19732



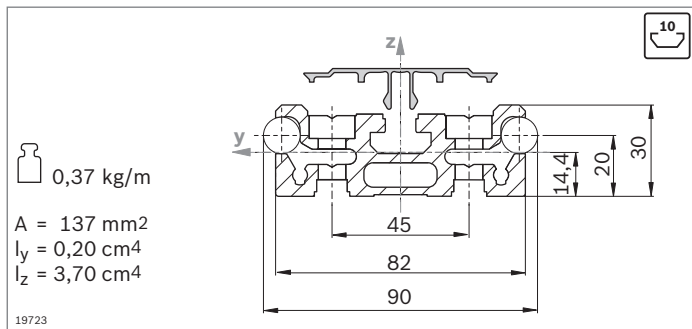
19870



- ▶ Guide profile LF12S to hold the guide rods
- ▶ Installation on MGE strut profiles with 10 mm slot or directly on a flat surface

Guide profile		L ₂ (mm)	No.
LF12S	1 pc	150 ... 5600	3 842 992 438 / L₂
	5 pcs	5600	3 842 511 841
	1 pc	5600	3 842 511 903

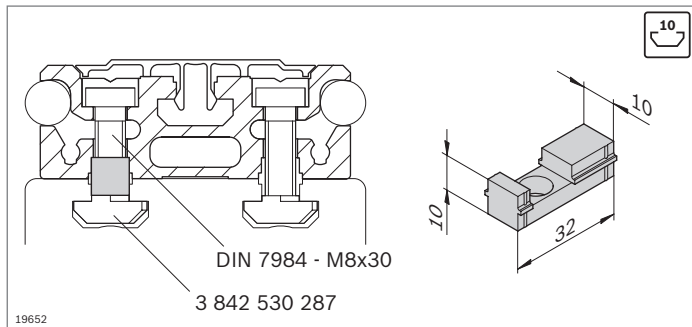
Material: Aluminum, anodized
 Accessories: Cylinder bolt DIN 7984 – M8x30
 T-nut M8, 10 mm slot, **3 842 530 287**
 Sliding block, cover profile, guide rod



- ▶ Cover profile to prevent contamination on threaded connections

Cover profile		L ₂ (mm)	No.
LF12S		150 ... 5600	3 842 993 062 / L₂
		5600	3 842 526 500

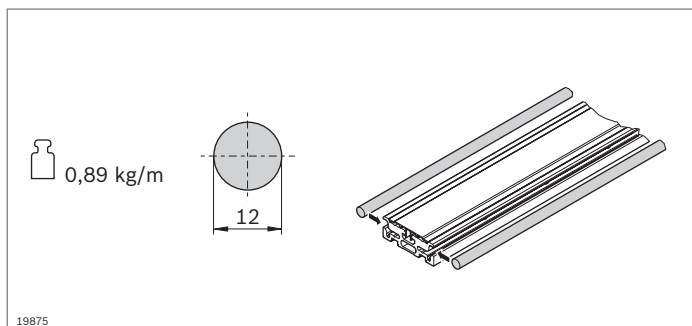
Material: PA, black



- ▶ Sliding block as a centering aid for mounting the guide profile in a 10 mm profile slot

Sliding block		No.
	50	3 842 146 877

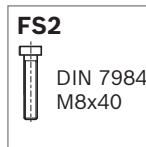
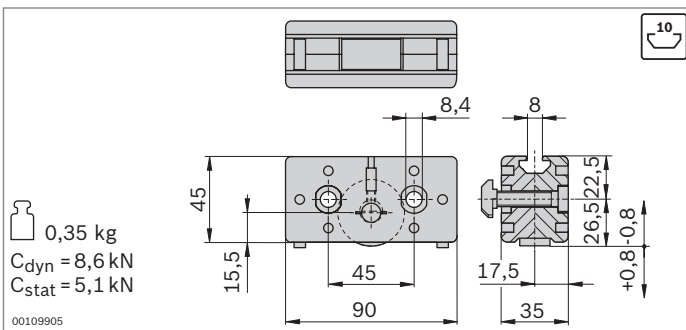
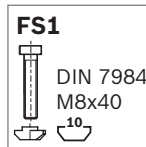
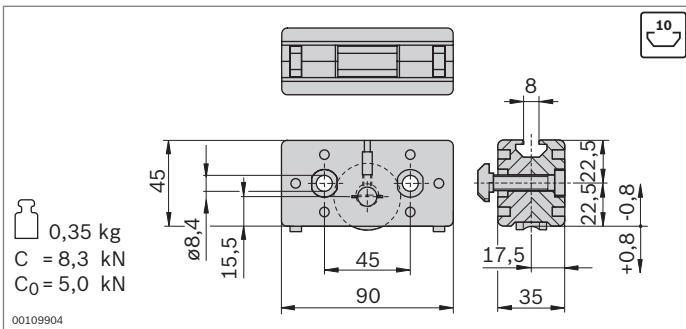
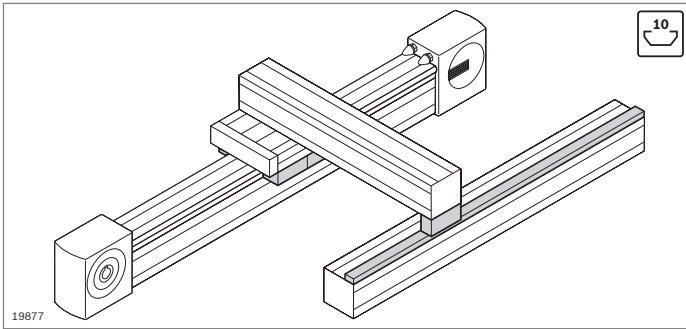
Material: PA, black



- ▶ The guide rod is pressed into the guide profile
- ▶ The guide rod guides the guide bearing

Guide rod		L ₂ (mm)	No.
LF12	1	150 ... 2900	3 842 993 968 / L₂
	20	2900	3 842 539 415

Material: Solid shaft VA, induction hardened and polished
 Condition on delivery: Ungreased; greasing according to assembly instructions **3 842 527 226**



- ▶ Guide bearing for trolley construction
- ▶ Supporting bearing for brackets to withstand off-center forces
- ▶ Guide rail to support supporting bearings (p. 13-20)

- ▶ Guide bearing for trolley construction
- ▶ Guiding via guide rod
- ▶ Rollers with ball bearings, permanently lubricated
- ▶ Lubricating felts with guide rod lubrication reservoir
- ▶ Play-free roller adjustment via eccentric bolts
- ▶ Replacement of the lubricating felts possible from rear in installed state

Guide bearing	No.	FS
LF12	2 3 842 535 664	2xFS1

Material: Housing: die-cast aluminum
Roller: steel, hardened, polished

Scope of delivery: Incl. fastening material (FS)

Condition on delivery: Lubricating felts ungreased; greasing according to assembly instructions **3 842 527 226**

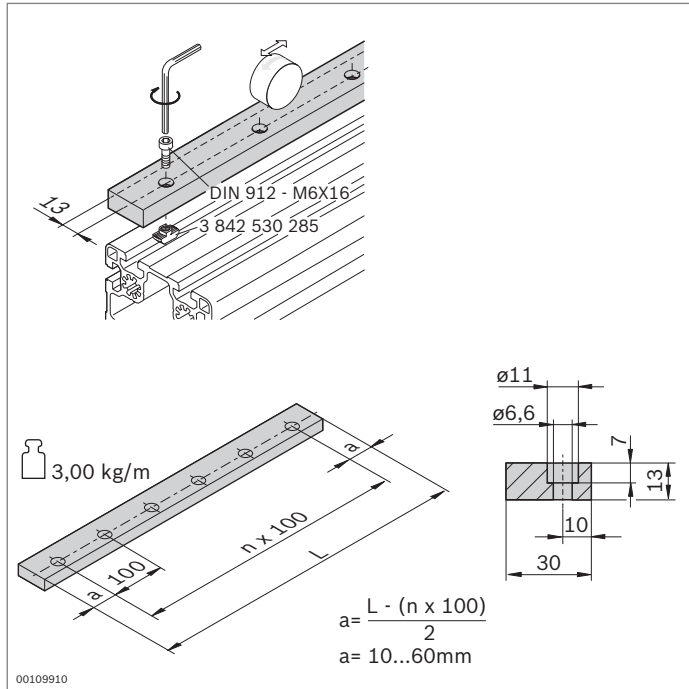
- ▶ Supporting bearing for brackets for bearing off-center forces
- ▶ For support on the guide rail
- ▶ Rollers with ball bearings, permanently lubricated
- ▶ Lubricating felts with guide rod lubrication reservoir
- ▶ Play-free roller adjustment via eccentric bolts
- ▶ Replacement of the lubricating felts possible from rear in installed state

Supporting bearing	No.	FS
LF12	2 3 842 535 666	2xFS2

Material: Housing: die-cast aluminum
Roller: steel, hardened, polished

Scope of delivery: Incl. fastening material (FS)

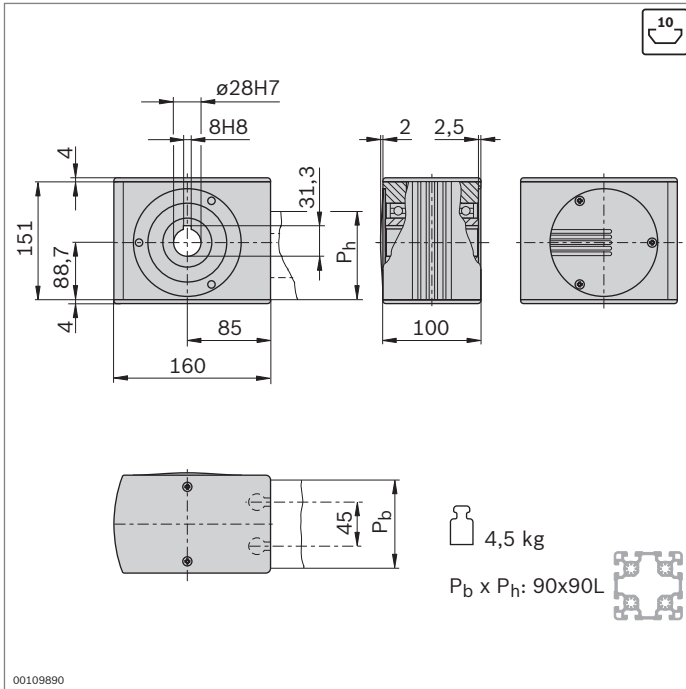
Condition on delivery: Lubricating felts ungreased; greasing according to assembly instructions **3 842 527 226**



► Guide rail to hold supporting bearings

Guide rail	L (mm)	No.
LF12	120 ... 2000	3 842 994 702/L
	2000	3 842 517 160

Material: Steel, hardened, polished
 Condition on delivery: Ungreased; greasing according to assembly instructions **3 842 527 226**
 Accessories: Cylinder bolt DIN 912 – M6x16
 T-nut M6, 10 mm slot (**3 842 530 285**)

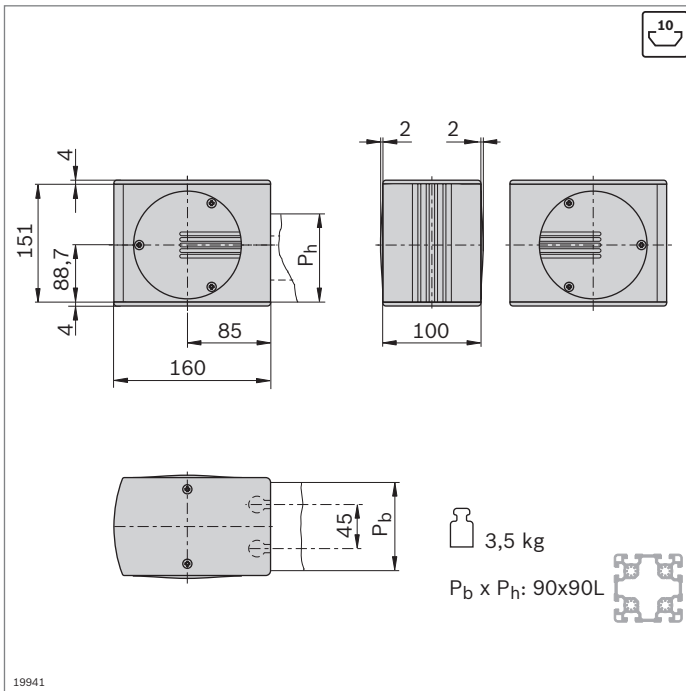
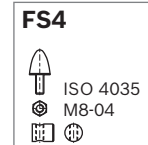


- ▶ Drive head for transferring drive torque to a toothed belt
- ▶ For direct mounting of a motor or (in conjunction with a center shaft) for mounting a hollow shaft gear or a coupling (p. 13-46)
- ▶ Mounted directly on profile by using longitudinal end connector (connector included in scope of delivery)
- ▶ Profile machining: LF blind hole drilling for longitudinal end connector

Drive head	No.	FS
LF12S	3 842 526 412	2xFS3, 2xFS4

Material: Drive head aluminum, anodized
Cover caps: PA, black
Hollow shaft: steel; galvanized

Scope of delivery: Incl. fastening material (FS), cover caps

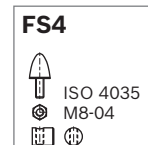
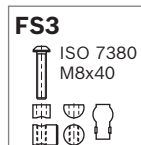


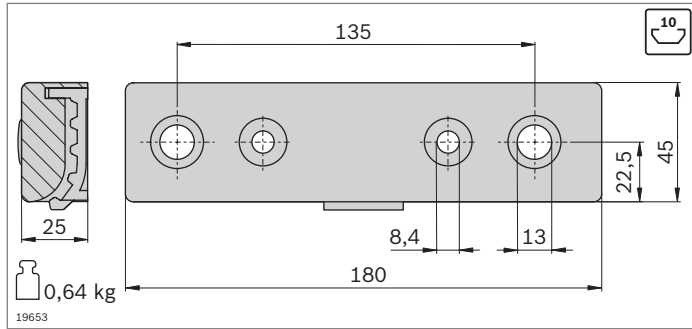
- ▶ Return head for tensioning the toothed belt and changing its direction
- ▶ Mounted directly on profile by using longitudinal end connector (connector included in scope of delivery)
- ▶ Profile machining: LF blind hole drilling for longitudinal end connector

Return head	No.	FS
LF12S	3 842 526 413	2xFS3, 2xFS4

Material: Aluminum, anodized
Hollow shaft: steel; galvanized
Cover caps: PA, black

Scope of delivery: Incl. fastening material (FS), cover caps



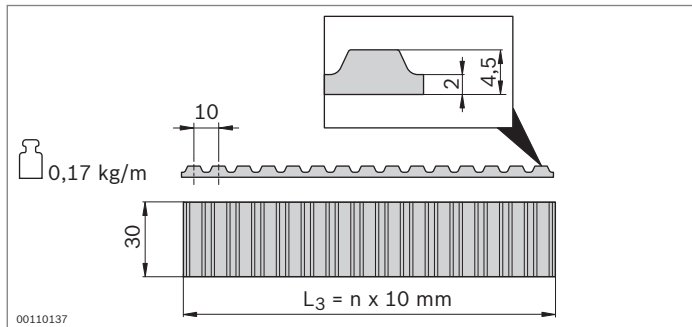
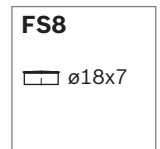
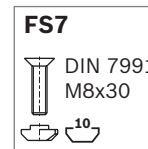
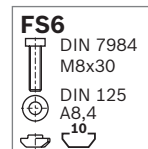
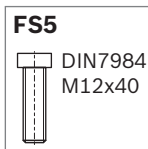


- ▶ Belt connector suitable for trolley built out of strut profiles 45x180
- ▶ All connecting parts included for mounting on the profile end (LF12S) or in the slot (LF12C)
- ▶ Profile finishing for strut profile 45x180 for trolley LF12S: M12

Belt connector	No.	FS
LF12	2	3 842 535 680 2xFS5, 2xFS6, 2xFS7, 2xFS8, 4xFS9

Material: Aluminum, painted black

Scope of delivery: Incl. fastening material (FS)

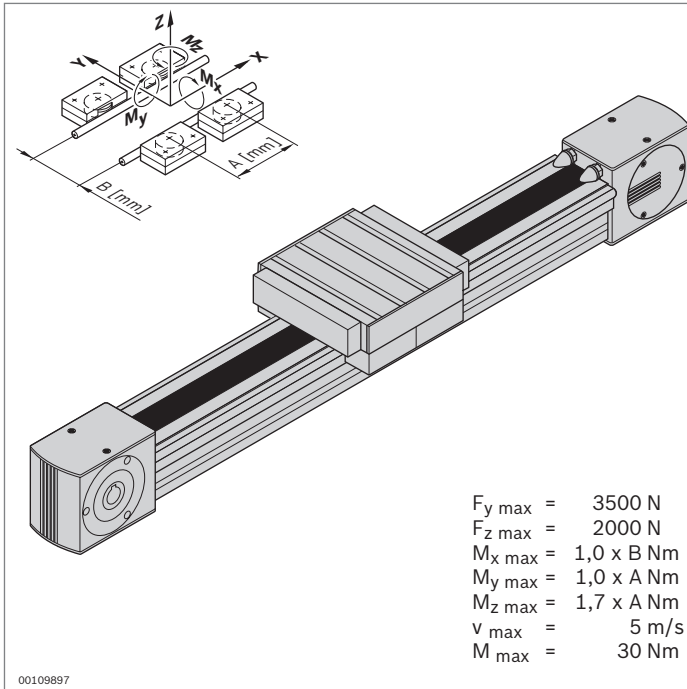


- ▶ Toothed belt as a trolley drive
- ▶ Pitch: AT10

Toothed belt	L ₃ (mm)	No.
LF12	300 ... 50000	3 842 994 821 / L₃¹⁾
	50000	3 842 526 422

¹⁾ L₃ = 2xL₂ - L₁ + 630

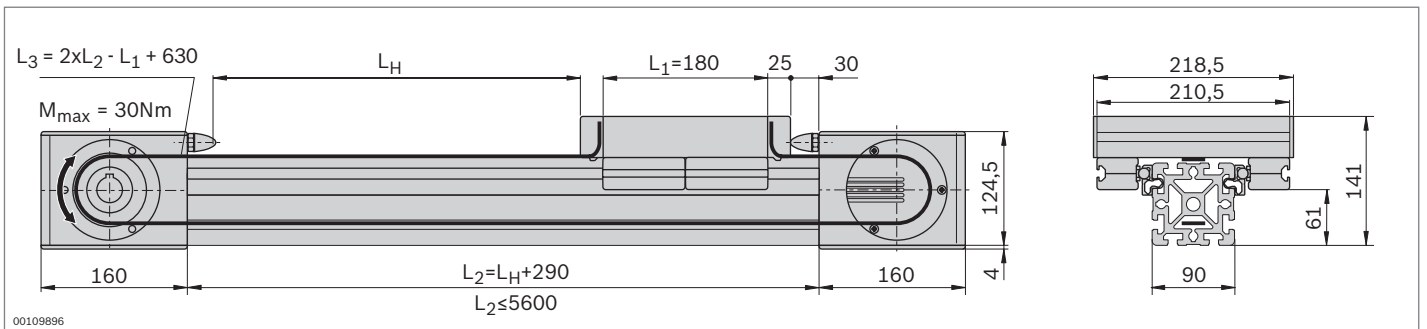
Material: PU with embedded steel wires



Cam roller guide LF12C – complete axis



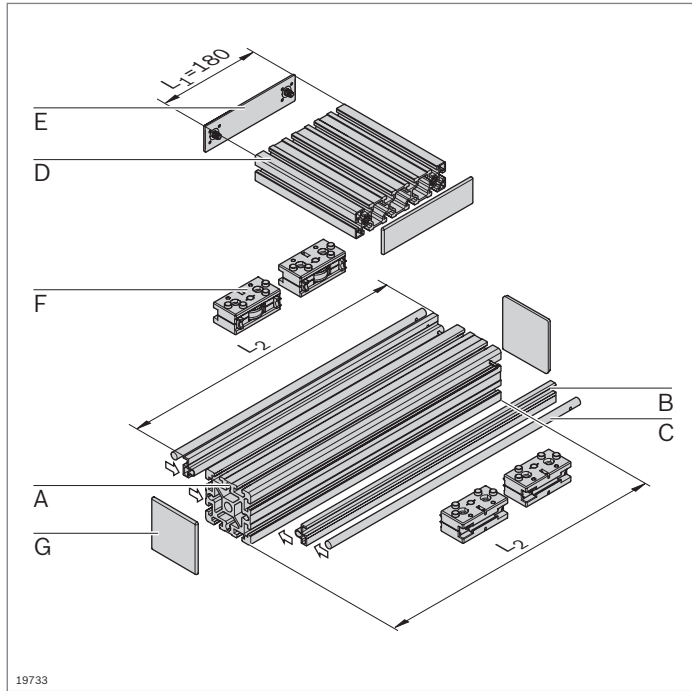
- ▶ Fully assembled cam roller guide
- ▶ Stroke can be individually selected
- ▶ Clamping profile clipped into strut profile 90x90
- ▶ Incl. toothed belt drive; additional notes on the drive concept (p. 13-44)



Technical data

See pages 13-50 for notes on layout and drive

Complete axis	L_H (mm)	No.
LF12C	50 ... 5310	3 842 998 498 / L_H

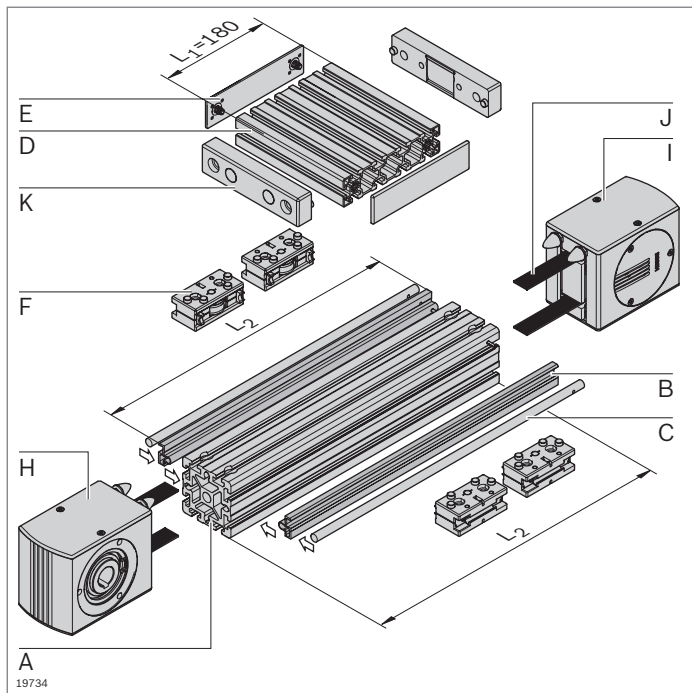


Cam roller guide LF12C – components

- Components for the individual assembly of cam roller guides, with or without drive

Parts list for cam roller guide LF12C without drive

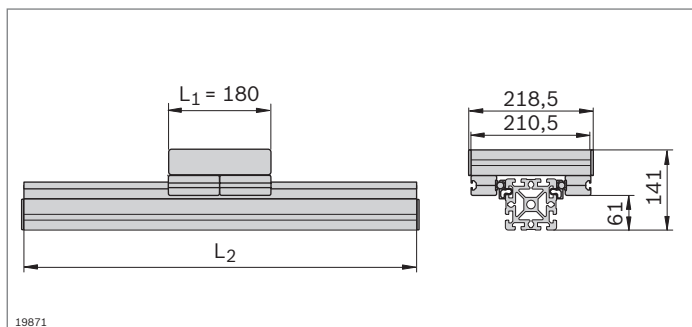
Component	No.	Qty.	Page
A Profile 90x90	3 842 990 500 / L ₂	1	2-49
B Clamping profile LF12C	3 842 992 440 / L ₂ 3 842 518 894	2	13-24
C Guide rod LF12	3 842 993 968 / L ₂	2	13-25
D Profile 45x180	3 842 990 335 / 210.5 mm	1	2-46
E Cover cap 45x180	3 842 548 795	2	2-46
F Guide bearing LF12	3 842 535 664	4	13-26
G Cover cap 90x90	3 842 548 761	2	2-49

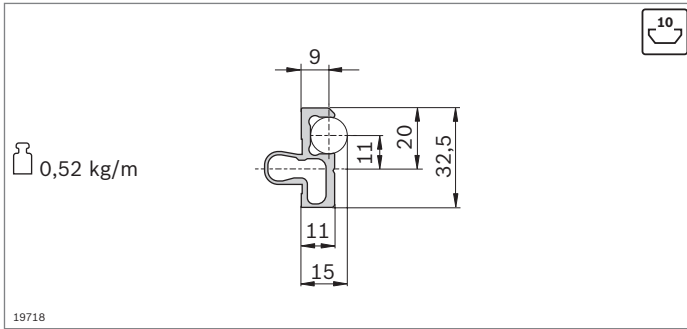


Parts list for cam roller guide LF12C with drive

Component	No.	Qty.	Page
A Profile 90x90 LF	3 842 993 082 / L ₂	1	2-49
B Clamping profile LF12C	3 842 992 440 / L ₂ 3 842 518 894	2	13-24
C Guide rod LF12	3 842 993 968 / L ₂	2	13-25
D Profile 45x180	3 842 990 335 / 210.5 mm	1	2-46
E Cover cap 45x180	3 842 548 795	2	2-46
F Guide bearing LF12	3 842 535 664	4	13-26
H Drive head LF12C	3 842 526 863	1	13-28
I Return head LF12C	3 842 526 865	1	13-28
J Toothed belt LF12	3 842 994 821 / L ₃ ¹⁾	1	13-29
K Belt connector LF12	3 842 535 680	2	13-29

¹⁾ L₃ = 2xL₂ - L₁ + 630

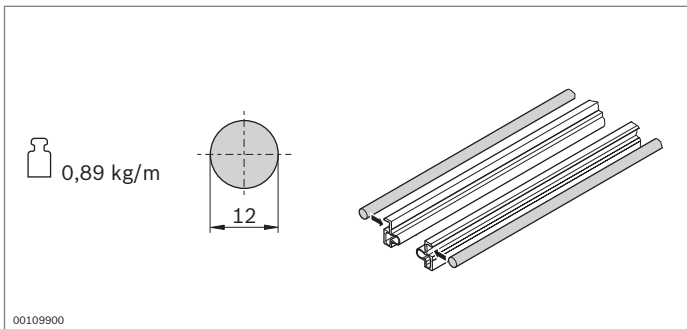




- ▶ The clamping profile is clipped into any chosen strut profile with a 10 mm slot and holds the guide rods

Clamping profile		L ₂ (mm)	No.
LF12C	1 pc	150 ... 3000	3 842 992 440 / L₂
	20 pcs	3000	3 842 518 897
	1 pc	3000	3 842 518 894

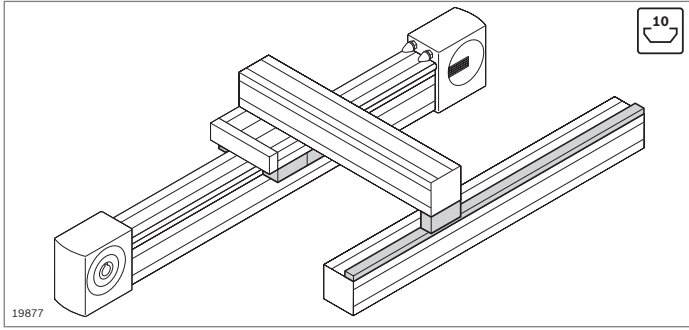
Material: Aluminum, anodized



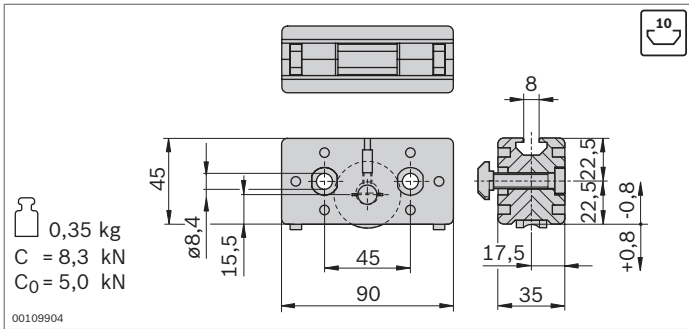
- ▶ The guide rod is pressed into the clamping profile
- ▶ The guide rod guides the guide bearing

Guide rod		L ₂ (mm)		No.
LF12		150 ... 2900	1	3 842 993 968 / L₂
		2900	20	3 842 539 415

Material: Solid shaft VA, induction hardened and polished
 Condition on delivery: Ungreased; greasing according to assembly instructions **3 842 527 226**



- ▶ Guide bearing for trolley construction
- ▶ Supporting bearing for brackets for bearing off-center forces
- ▶ Guide rail to support supporting bearings (p. 13-27)



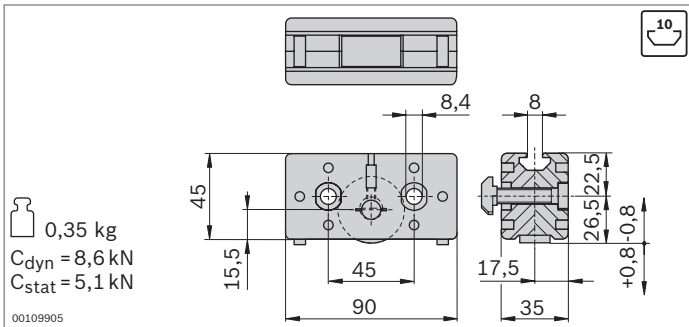
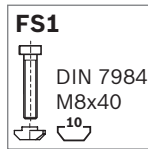
- ▶ Guide bearing for trolley construction
- ▶ Guiding via guide rod
- ▶ Rollers with ball bearings, permanently lubricated
- ▶ Lubricating felts with guide rod lubrication reservoir
- ▶ Play-free roller adjustment via eccentric bolts
- ▶ Replacement of the lubricating felts possible from rear in installed state

Guide bearing	No.	FS
LF12	2	3 842 535 664 2xFS1

Material: Guide bearing die-cast aluminum
Roller: steel, hardened, polished

Scope of delivery: Incl. fastening material (FS)

Condition on delivery: Lubricating felts ungreased; greasing according to assembly instructions **3 842 527 226**



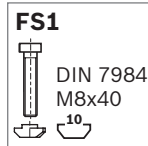
- ▶ Supporting bearing for brackets for bearing off-center forces
- ▶ For support on the guide rail
- ▶ Rollers with ball bearings, permanently lubricated
- ▶ Lubricating felts with guide rod lubrication reservoir
- ▶ Play-free roller adjustment via eccentric bolts
- ▶ Replacement of the lubricating felts possible from rear in installed state

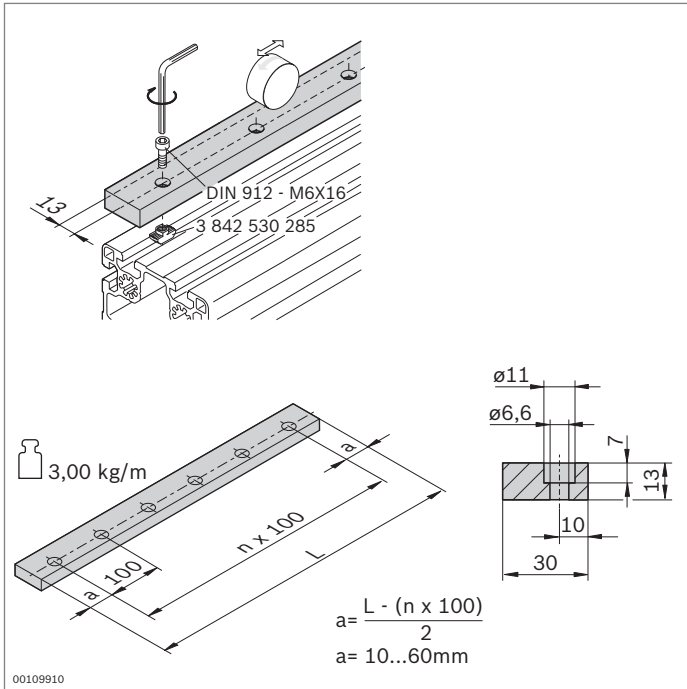
Supporting bearing	No.	FS
LF12	2	3 842 535 666 2xFS1

Material: Guide bearing die-cast aluminum
Roller: steel, hardened, polished

Scope of delivery: Incl. fastening material (FS)

Condition on delivery: Lubricating felts ungreased; greasing according to assembly instructions **3 842 527 226**

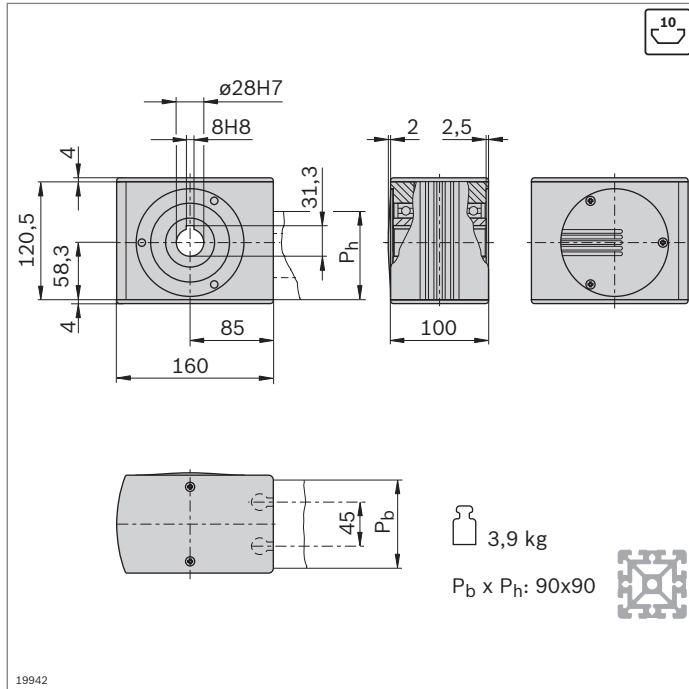




► Guide rail to hold supporting bearings

Guide rail	L (mm)	No.
LF12	120 ... 2000	3 842 994 702 / L
	2000	3 842 517 160

Material: Steel, hardened, polished
 Condition on delivery: Ungreased; greasing according to assembly instructions **3 842 527 226**
 Accessories: Cylinder bolt DIN 912 – M6x16
 T-nut M6, 10 mm slot (**3 842 530 285**)

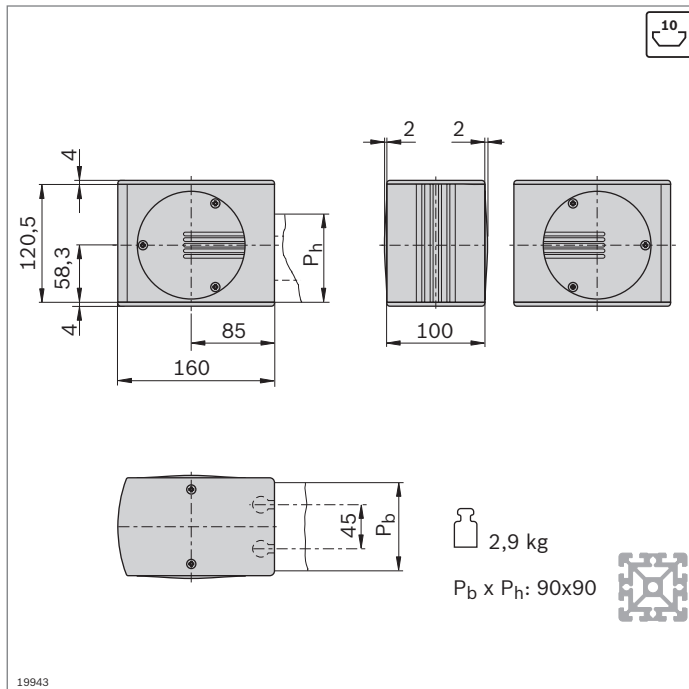
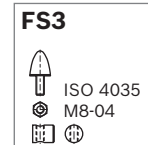
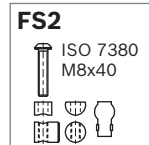


- ▶ Drive head for transferring drive torque to a toothed belt
- ▶ For direct mounting of a motor or (in conjunction with a center shaft) for mounting a hollow shaft gear or a coupling (p. 13-46)
- ▶ Mounted directly on profile by using longitudinal end connector (connector included in scope of delivery)
- ▶ Profile machining: LF blind hole drilling for longitudinal end connector

Drive head	No.	FS
LF12C	3 842 526 863	4xFS2, 2xFS3

Material: Drive head aluminum, anodized
Hollow shaft: steel; galvanized
Cover caps: PA, black

Scope of delivery: Incl. fastening material (FS), cover caps

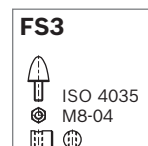
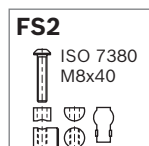


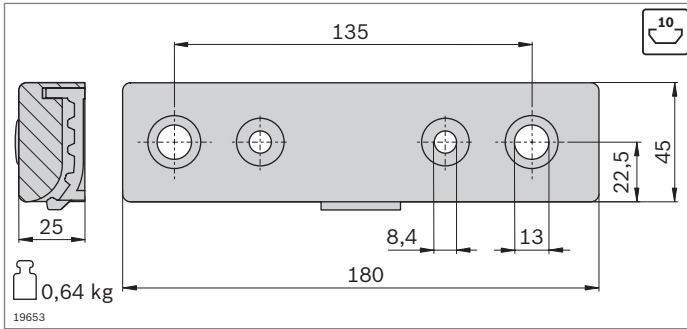
- ▶ Return head for tensioning the toothed belt and changing its direction
- ▶ Mounted directly on profile by using longitudinal end connector (connector included in scope of delivery)
- ▶ Profile machining: LF blind hole drilling for longitudinal end connector

Return head	No.	FS
LF12C	3 842 526 865	4xFS2, 2xFS3

Material: Return head: aluminum, anodized
Hollow shaft: steel; galvanized
Cover caps: PA, black

Scope of delivery: Incl. fastening material (FS), cover caps

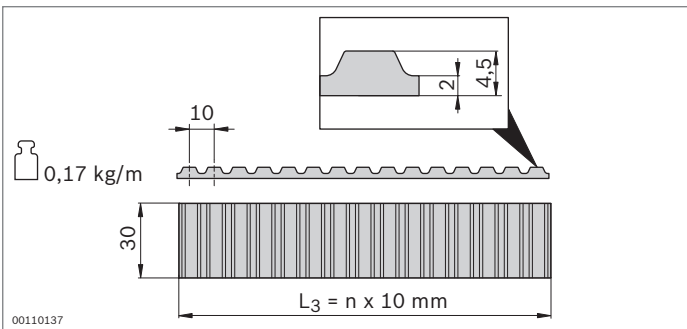
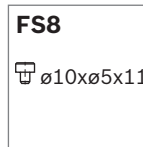
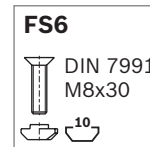
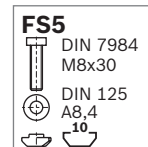
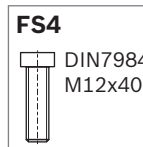




- ▶ Belt connector suitable for trolley built out of strut profiles 45x180
- ▶ All connecting parts included for mounting at the profile end (LF12S) or the slot (LF12C)
- ▶ Profile finishing for strut profile 45x180 for trolley LF12S: M12

Belt connector	No.	FS
LF12	2 3 842 535 680	2xFS4, 2xFS5, 2xFS6, 2xFS7, 4xFS8

Material: Aluminum, painted black
 Scope of delivery: Incl. fastening material (FS)

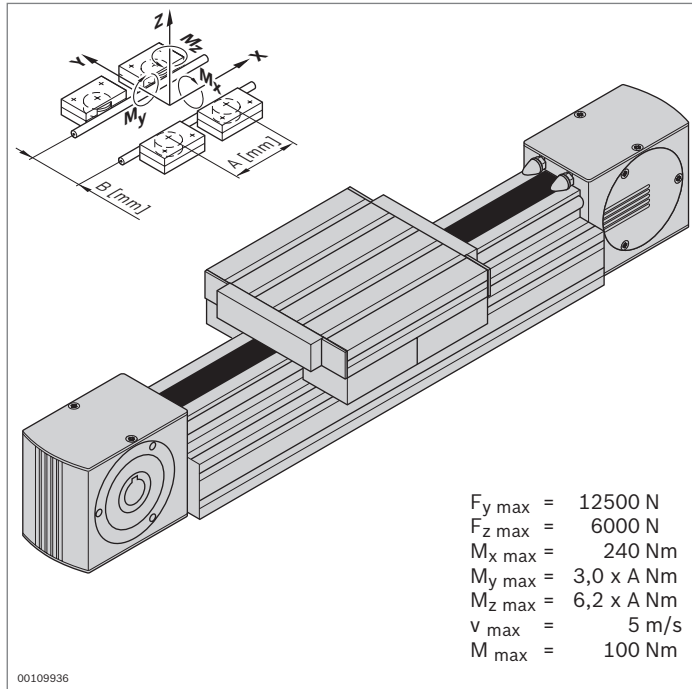


- ▶ Toothed belt as a trolley drive
- ▶ Pitch: AT10

Toothed belt	L ₃ (mm)	No.
LF12	300 ... 50000	3 842 994 821 / L₃¹⁾
	50000	3 842 526 422

¹⁾ L₃ = 2xL₂ - L₁ + 630

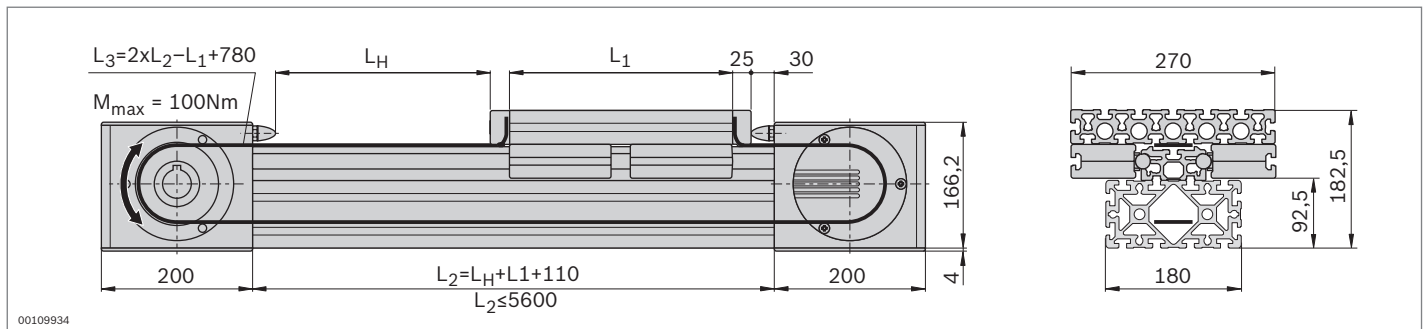
Material: PU with embedded steel wires



Cam roller guide LF20S – complete axis



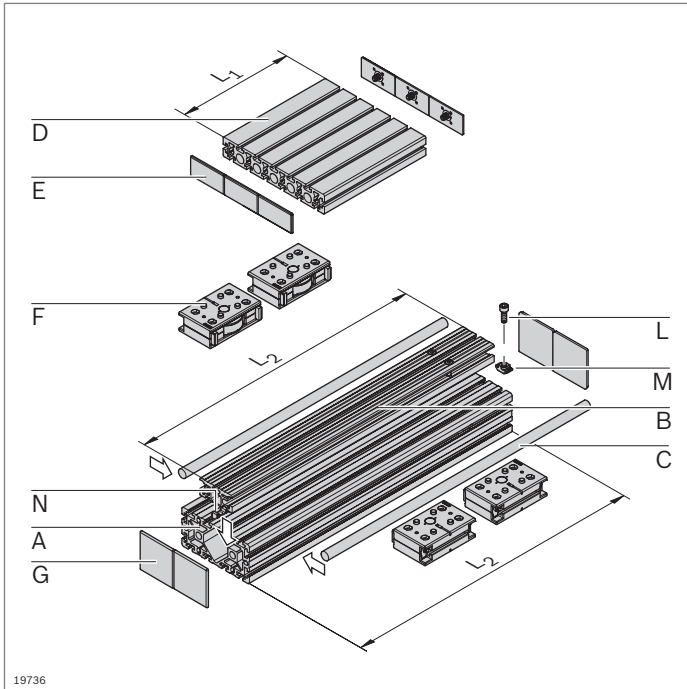
- ▶ Fully assembled cam roller guide
- ▶ Stroke and trolley length can be individually selected
- ▶ Rail profile mounted on strut profile 90x180
- ▶ Incl. toothed belt drive; additional notes on the drive concept (p. 13-44)



Technical data

See pages 13-57 for notes on layout and drive

Complete axis	L_H / L_1 (mm)	No.
LF20S	$L_1 + 50 \leq L_H \leq 5220$ $270 \leq L_1 \leq 1000$	3 842 998 499 / L_H / L_1



19736

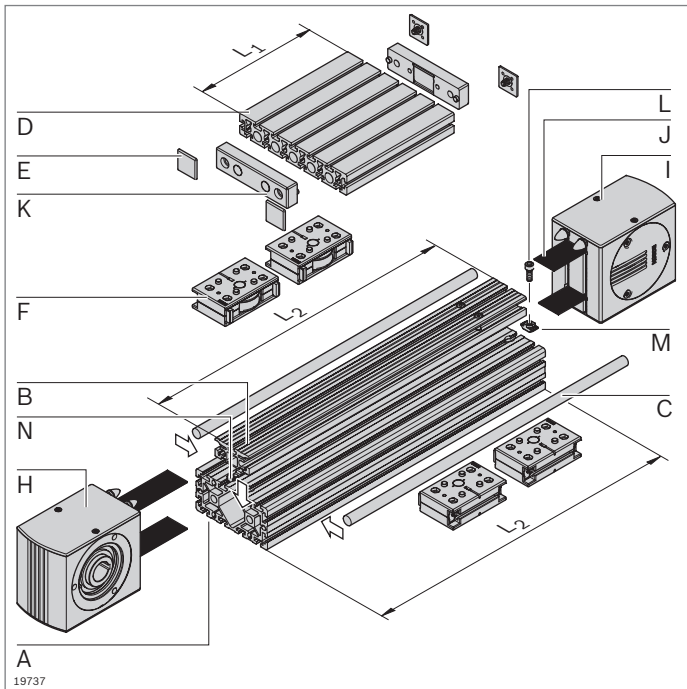
Cam roller guide LF20S – components

- Components for the individual assembly of cam roller guides, with or without drive

Parts list for cam roller guide LF20S without drive

Component	No.	Qty.	Page
A Profile 90x180	3 842 990 416 / L ₂	1	2-50
B Guide profile LF20S	3 842 993 080 / L ₂	1	13-32
C Guide rod LF20	3 842 993 969 / L ₂	2	13-32
D Profile 45x270	3 842 992 927 / L ₁	1	2-46
E Cover cap 45x90	3 842 548 757	6	2-46
F Guide bearing LF20	3 842 535 663	4	13-33
G Cover cap 90x90	3 842 548 761	4	2-50
L Cylinder bolt DIN 7984 – M8x45		n ¹⁾	
M T-nut M8, 10 mm slot	3 842 530 287	n ¹⁾	3-5
N Sliding block	3 842 146 877	n ¹⁾	13-32

¹⁾ For identification see page 13-32



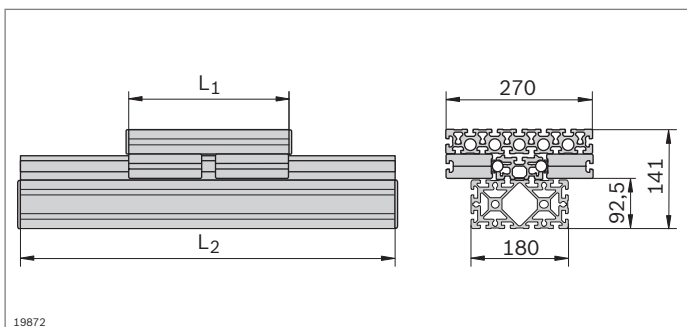
19737

Parts list for cam roller guide LF20S with drive

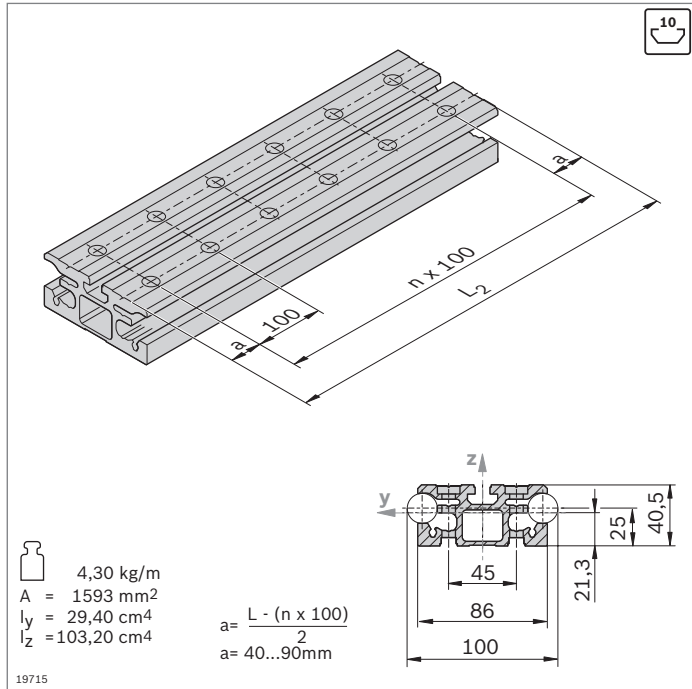
Component	No.	Qty.	Page
A Profile 90x180 LF-S [] LF-S	3 842 993 081 / L ₂	1	2-50
B Guide profile LF20S	3 842 993 080 / L ₂	1	13-32
C Guide rod LF20	3 842 993 969 / L ₂	2	13-32
D Profile 45x270 M12 [] M12	3 842 992 928 / L ₁	1	2-46
E Cover cap 45x45	3 842 548 753	4	2-41
F Guide bearing LF20	3 842 535 663	4	13-33
H Drive head LF20S	3 842 526 414	1	13-35
I Return head LF20S	3 842 526 415	1	13-35
J Toothed belt LF20	3 842 994 662 / L ₃ ¹⁾	1	13-36
K Belt connector LF20	3 842 535 680	2	13-36
L Cylinder bolt DIN 7984 – M8x45		n ²⁾	
M T-nut M8, 10 mm slot	3 842 530 287	n ²⁾	3-5
N Sliding block	3 842 146 877	n ²⁾	13-32

¹⁾ L₃ = 2xL₂ - L₁ + 780


²⁾ For identification see page 13-32



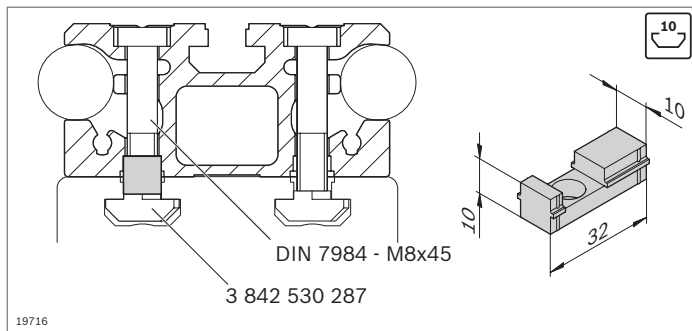
19872



- ▶ Guide profile LF20S to hold guide rods
- ▶ Installation on MGE strut profiles with 10 mm slot or directly on a flat surface

Guide profile		L_2 (mm)	No.
LF20S	1 pc	150 ... 5600	3 842 993 080 / L_2
	 5 pcs	5600	3 842 526 878

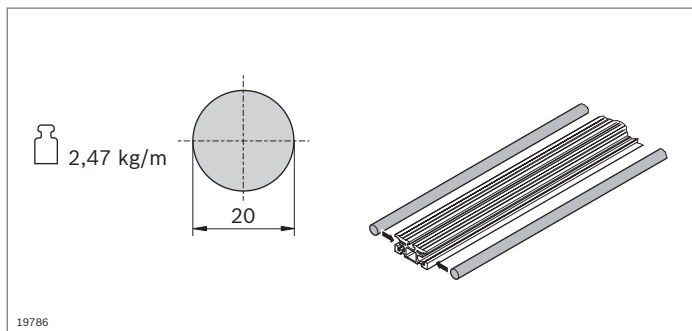
Accessories: Cylinder screw DIN 7984 – M8x45
 T-nut M8, 10 mm slot (p. 3-4)
 Sliding block



- ▶ Sliding block as a centering aid for mounting the guide profile in a 10 mm profile slot

Sliding block		No.
	50	3 842 146 877

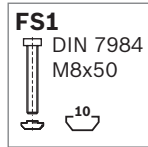
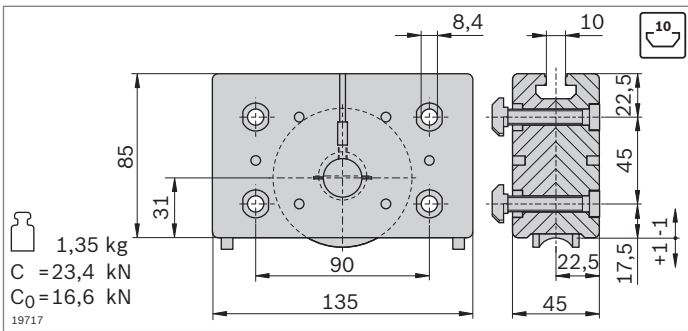
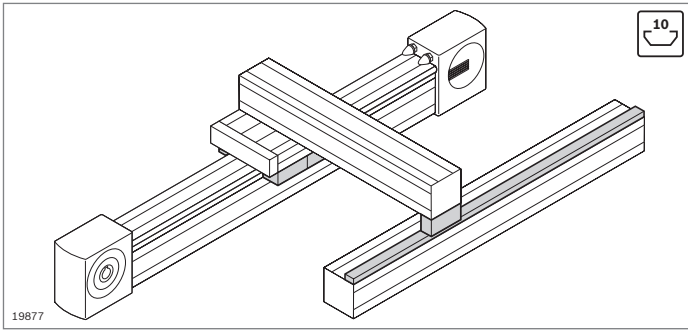
Material: PA, black



- ▶ The guide rod is pressed into the guide profile
- ▶ The guide rod guides the guide bearing

Guide rod	L_2 (mm)	No.
LF20	150 ... 2900	1 3 842 993 969 / L_2
	2900 20	3 842 539 416

Material: Solid shaft VA, induction hardened, polished
 Condition on delivery: Ungreased; greasing according to assembly instructions **3 842 527 226**



- ▶ Guide bearing for trolley construction
- ▶ Supporting bearing for brackets for bearing off-center forces
- ▶ Guide rail to support supporting bearings (p. 13-34)

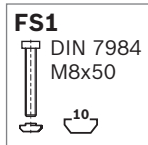
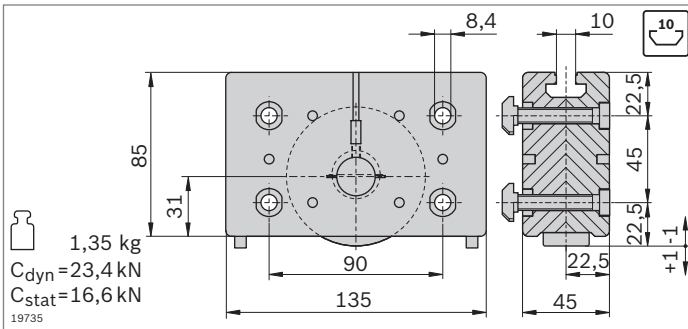
- ▶ Guide bearing for trolley construction
- ▶ Guiding via guide rod
- ▶ Rollers with ball bearings, permanently lubricated
- ▶ Lubricating felts with guide rod lubrication reservoir
- ▶ Play-free roller adjustment via eccentric bolts
- ▶ Replacement of the lubricating felts possible from rear in installed state

Guide bearing	No.	FS
LF20	2 3 842 535 663	4xFS1

Material: Housing: die-cast aluminum
Roller: steel, hardened, polished

Scope of delivery: Incl. fastening material (FS)

Condition on delivery: Lubricating felts ungreased; greasing according to assembly instructions **3 842 527 226**



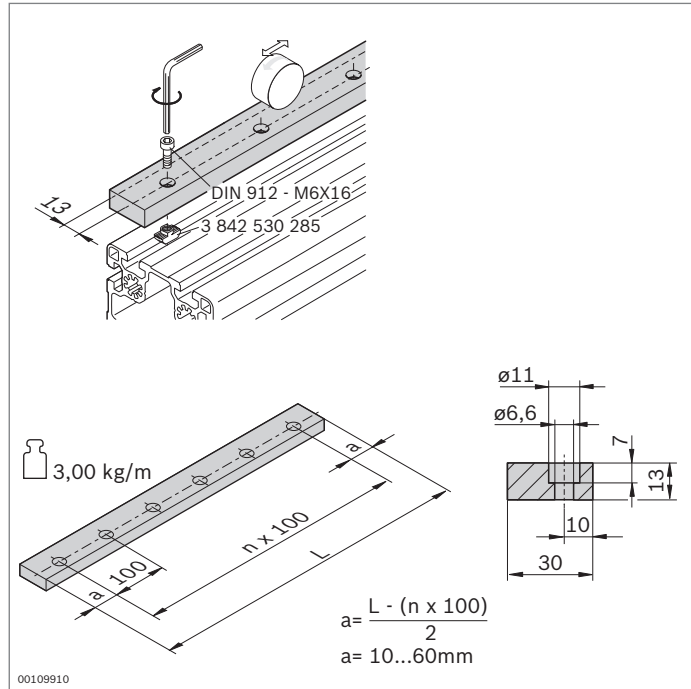
- ▶ Supporting bearing for brackets for bearing off-center forces
- ▶ For support on the guide rail
- ▶ Rollers with ball bearings, permanently lubricated
- ▶ Lubricating felts with guide rod lubrication reservoir
- ▶ Play-free roller adjustment via eccentric bolts
- ▶ Replacement of the lubricating felts possible from rear in installed state

Supporting bearing	No.	FS
LF20	2 3 842 535 665	4xFS1

Material: Housing: die-cast aluminum
Roller: steel, hardened, polished

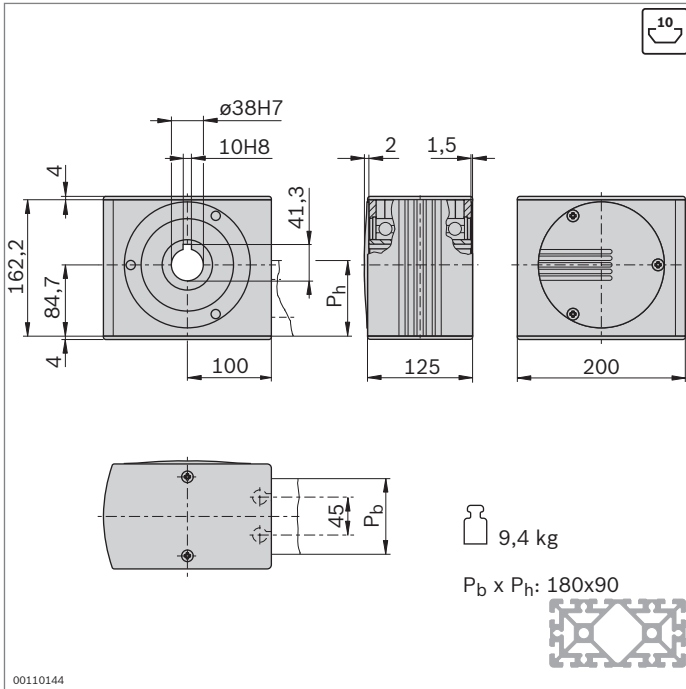
Scope of delivery: Incl. fastening material (FS)

Condition on delivery: Lubricating felts ungreased; greasing according to assembly instructions **3 842 527 226**



► Guide rail to hold supporting bearings

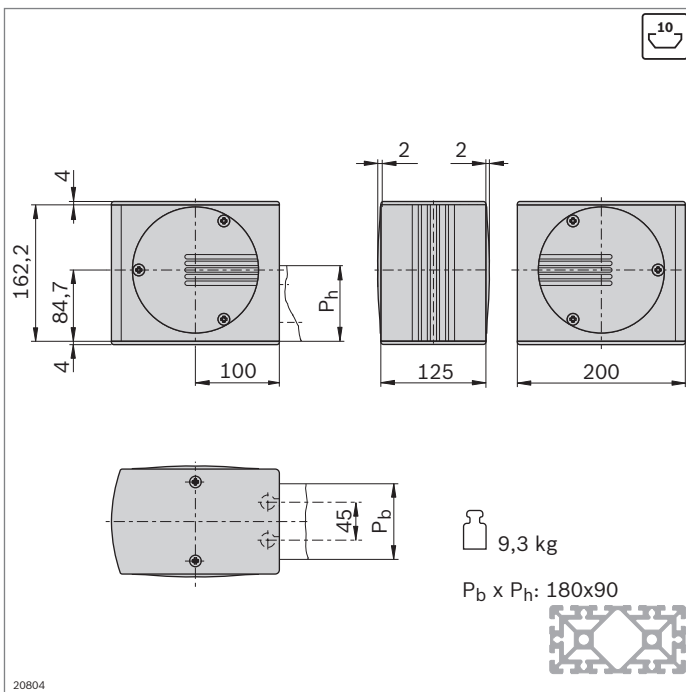
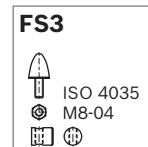
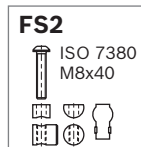
Guide rail	L (mm)	No.
LF20	120 ... 2000	3 842 994 702 / L
Material:	Steel, hardened, polished	
Condition on delivery:	Ungreased; greasing according to assembly instructions 3 842 527 226	
Accessories:	Cylinder bolt DIN 912 – M6x16 T-nut M6, 10 mm slot (3 842 530 285)	



- ▶ Drive head for transferring drive torque to a toothed belt
- ▶ For direct mounting of a motor or (in conjunction with a center shaft) for mounting a hollow shaft gear or a coupling (p. 13-46)
- ▶ Mounted directly on profile by using longitudinal end connector (connector included in scope of delivery)
- ▶ Profile machining: LF-S blind hole drilling for longitudinal end connector

Drive head	No.	FS
LF20S	3 842 526 414	4xFS2, 2xFS3

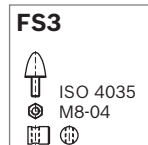
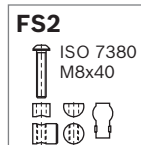
Material: Drive head: aluminum, anodized
Hollow shaft: steel; galvanized
Scope of delivery: Incl. fastening material (FS), cover caps

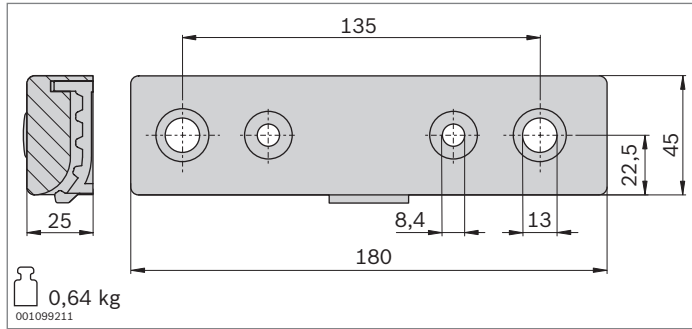


- ▶ Return head for tensioning the toothed belt and changing its direction
- ▶ Mounted directly on profile by using longitudinal end connector (connector included in scope of delivery)
- ▶ Profile machining: LF-S blind hole drilling for longitudinal end connector

Return head	No.	FS
LF20S	3 842 526 415	4xFS2, 2xFS3

Material: Return head: aluminum, anodized
Hollow shaft: steel; galvanized
Cover caps: PA, black
Scope of delivery: Incl. fastening material (FS), cover caps



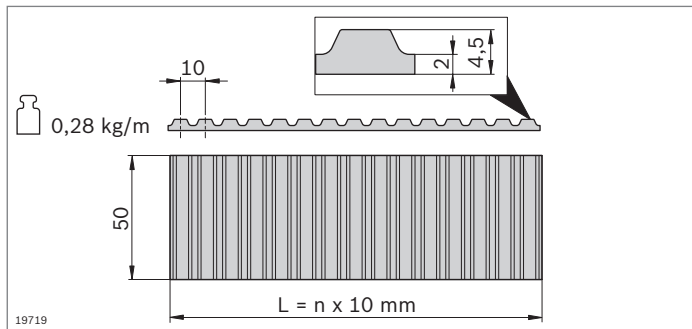
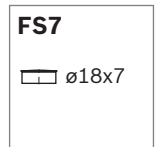
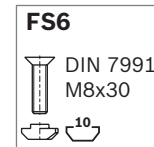
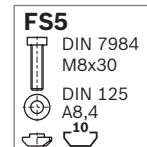
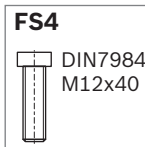


- ▶ Belt connector for fixing the toothed belt on the front of the trolley
- ▶ Profile finish for strut profile 45x270 for trolley LF20S: M12
- ▶ All connecting parts included for mounting at the profile end (LF20S) or the slot (LF20C)

Belt connector	No.	FS
LF20	2 3 842 535 680	2xFS4, 2xFS5, 2xFS6, 2xFS7, 4xFS8

Material: Aluminum, painted black

Scope of delivery: Incl. fastening material (FS)

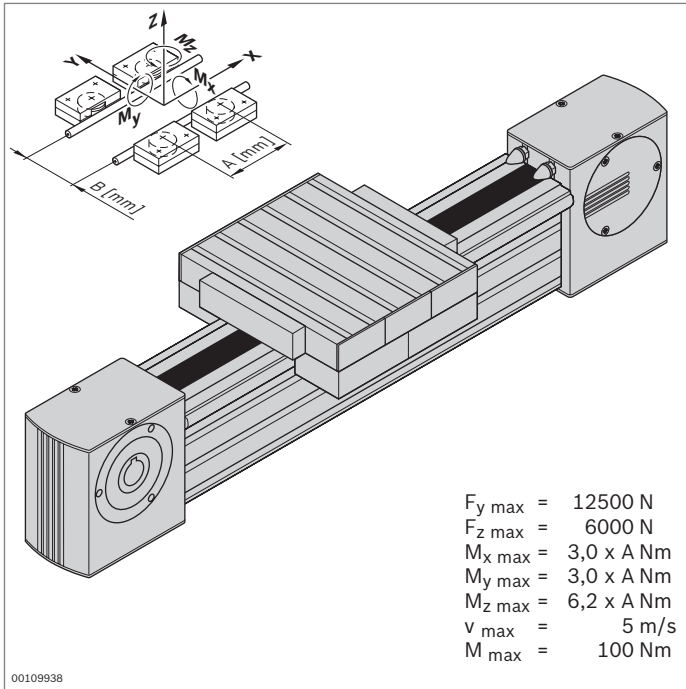


- ▶ Toothed belt as a trolley drive
- ▶ Pitch: AT10

Toothed belt	L_3 (mm)	No.
LF20	300 ... 50000	3 842 994 662 / L_3 ¹⁾
	50000	3 842 513 648

¹⁾ $L_3 = 2xL_2 - L_1 + 780$

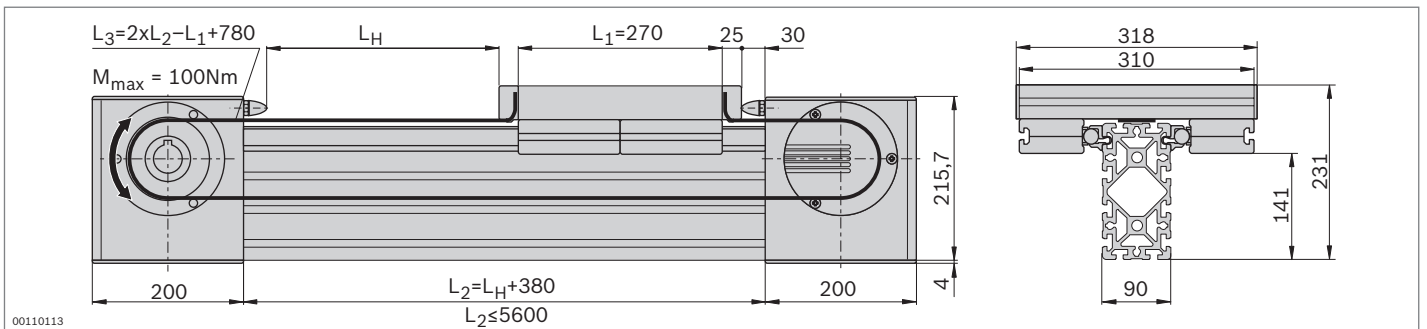
Material: PU with embedded steel wires



Cam roller guide LF20C – complete axis



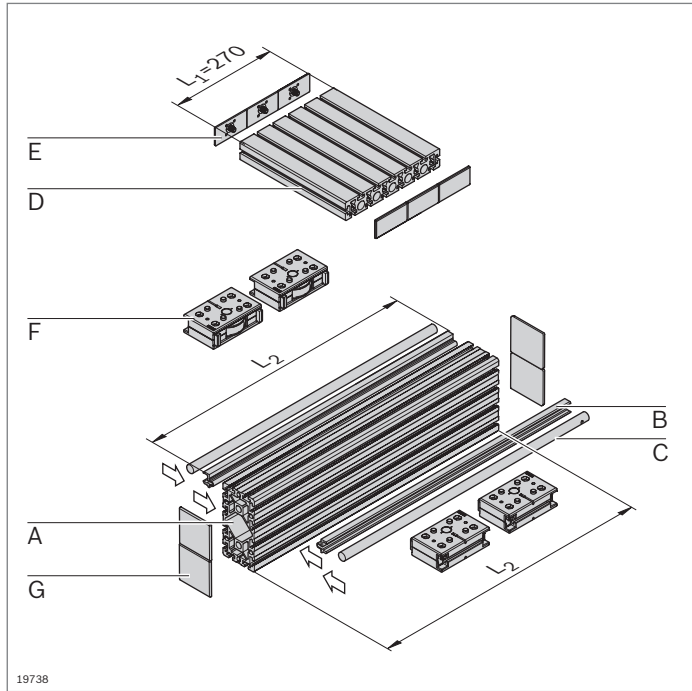
- ▶ Fully assembled cam roller guide
- ▶ Stroke can be individually selected
- ▶ Clamping profile clipped into strut profile 90x180
- ▶ Incl. toothed belt drive; additional notes on the drive concept (p. 13-44)



Technical data

See pages 13-50 for notes on layout and drive

Complete axis	L_H (mm)	No.
LF20C	50 ... 5220	3 842 998 500 / L_H

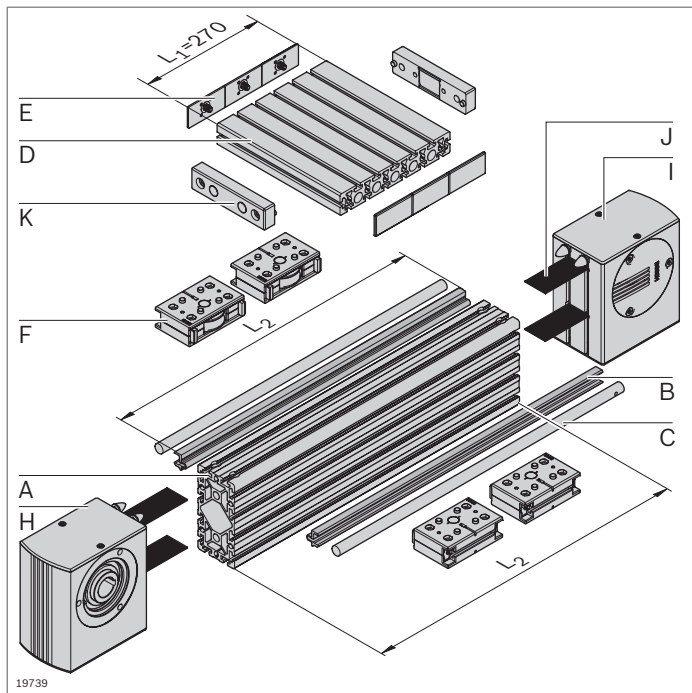


Cam roller guide LF20C – components

- Components for the individual assembly of cam roller guides, with or without drive

Parts list for cam roller guide LF20C without drive

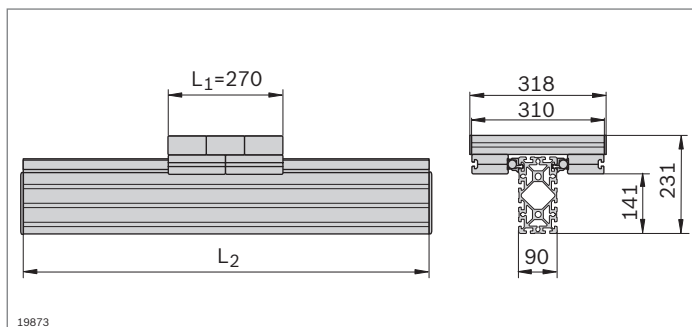
Component	No.	Qty.	Page
A Profile 90x180	3 842 990 416 / L₂	1	2-50
B Clamping profile LF20C	3 842 992 441 / L₂ 3 842 518 895	2	13-39
C Guide rod LF20	3 842 993 969 / L₂	2	13-39
D Profile 45x270	3 842 992 927 / 310 mm	1	2-46
E Cover cap 45x90	3 842 548 757	6	2-46
F Guide bearing LF20	3 842 535 663	4	13-40
G Cover cap 90x90	3 842 548 761	4	2-50

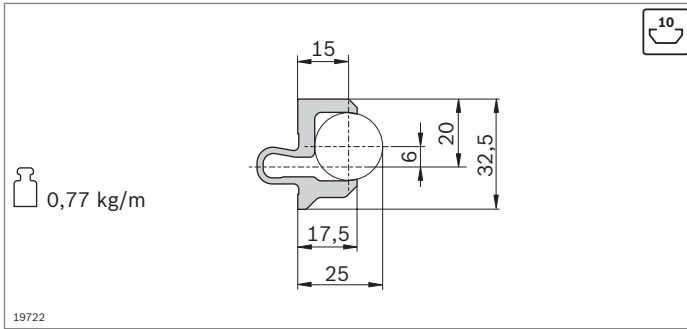


Parts list for cam roller guide LF20C with drive


Component	No.	Qty.	Page
A Profile 90x180 LF	3 842 992 898 / L₂	1	2-50
B Clamping profile LF20C	3 842 992 441 / L₂ 3 842 518 895	2	13-39
C Guide rod LF20	3 842 993 969 / L₂	2	13-39
D Profile 45x270	3 842 992 927 / 310 mm	1	2-46
E Cover cap 45x90	3 842 548 757	6	2-46
F Guide bearing LF20	3 842 535 663	4	13-40
H Drive head	3 842 526 867	1	13-42
I Return head	3 842 526 869	1	13-42
J Toothed belt	3 842 994 662 / L₃¹⁾	1	13-43
K Belt connector	3 842 535 680	2	13-43

¹⁾ L₃ = 2xL₂ - L₁ + 780

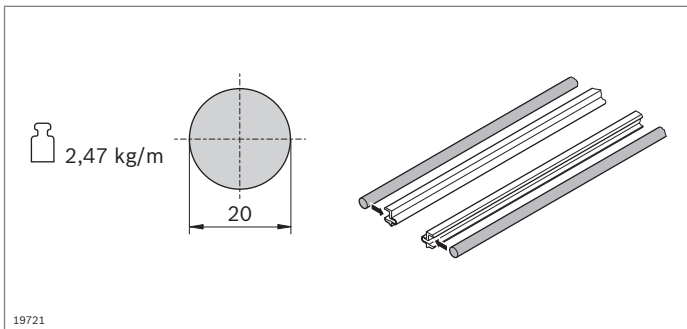





- ▶ The clamping profile is clipped into any chosen 10 mm strut profile slot and holds the guide rods

Clamping profile	L (mm)	No.
LF20C	1 pc 150 ... 3000	3 842 992 441 / L
 20 pcs	3000	3 842 518 898
	1 pc	3 842 518 895

Material: Aluminum, anodized

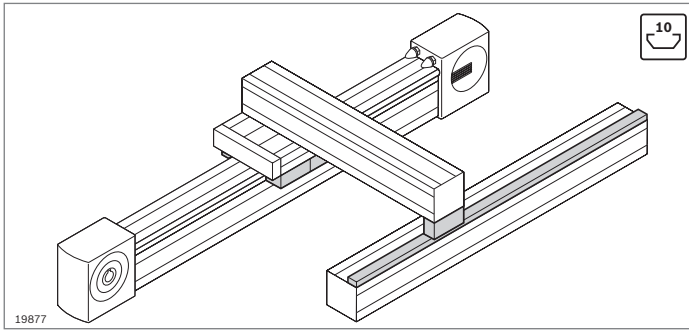


- ▶ The guide rod is pressed into the clamping profile
- ▶ The guide rod guides the guide bearing

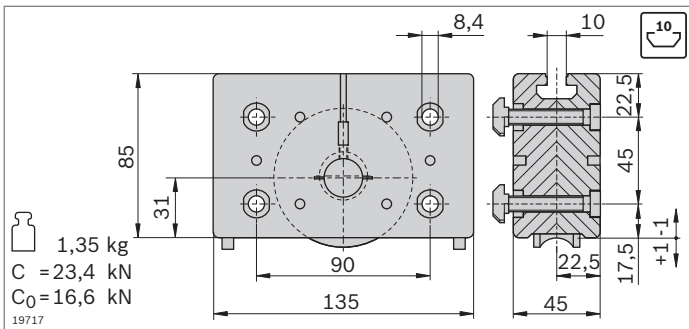
Guide rod	L (mm)	 No.
LF20	150 ... 2900	1 3 842 993 969 / L
	2900	20 3 842 539 416

Material: Solid shaft VA, induction hardened, polished

Condition on delivery: Ungreased; greasing according to assembly instructions **3 842 527 226**



- ▶ Guide bearing for trolley construction
- ▶ Supporting bearing for brackets for bearing off-center forces
- ▶ Guide rail to support supporting bearings (p. 13-44)



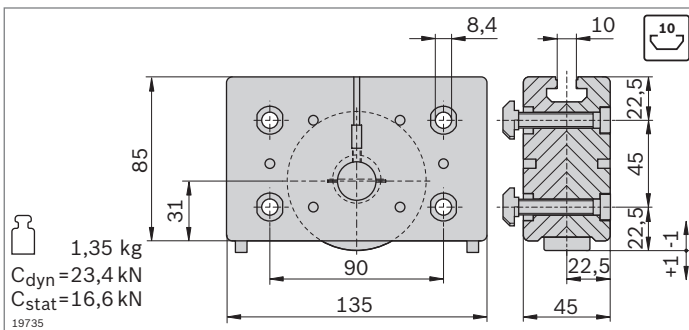
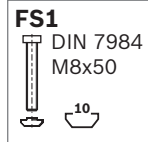
- ▶ Guide bearing for trolley construction
- ▶ Guiding via guide rod
- ▶ Rollers with ball bearings, permanently lubricated
- ▶ Lubricating felts with guide rod lubrication reservoir
- ▶ Play-free roller adjustment via eccentric bolts
- ▶ Replacement of the lubricating felts possible from rear in installed state

Guide bearing	No.	FS
LF20	2 3 842 535 663	4xFS1

Material: Housing: die-cast aluminum
Roller: steel, hardened, polished

Scope of delivery: Incl. fastening material (FS)

Condition on delivery: Lubricating felts ungreased; greasing according to assembly instructions **3 842 527 226**



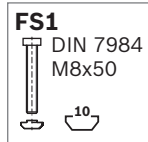
- ▶ Supporting bearing for brackets for bearing off-center forces
- ▶ For support on the guide rail
- ▶ Rollers with ball bearings, permanently lubricated
- ▶ Lubricating felts with guide rod lubrication reservoir
- ▶ Play-free roller adjustment via eccentric bolts
- ▶ Replacement of the lubricating felts possible from rear in installed state

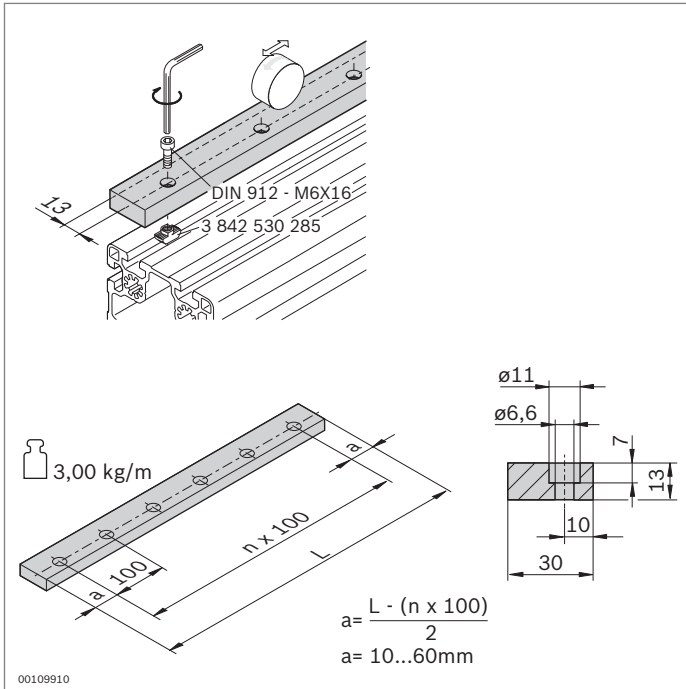
Supporting bearing	No.	FS
LF20	2 3 842 535 665	4xFS1

Material: Housing: die-cast aluminum
Roller: steel, hardened, polished

Scope of delivery: Incl. fastening material (FS)

Condition on delivery: Lubricating felts ungreased; greasing according to assembly instructions **3 842 527 226**

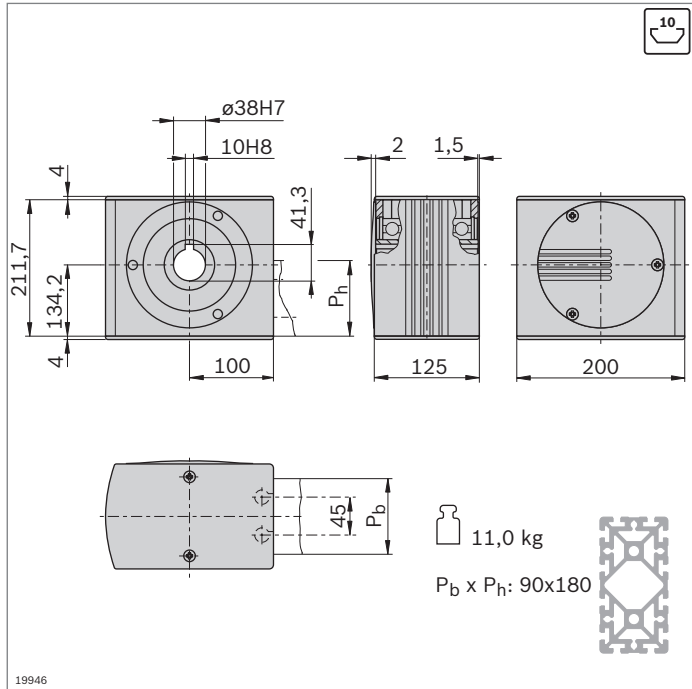




► Guide rail to hold supporting bearings

Guide rail	L (mm)	No.
LF20	120 ... 2000	3 842 994 702 / L

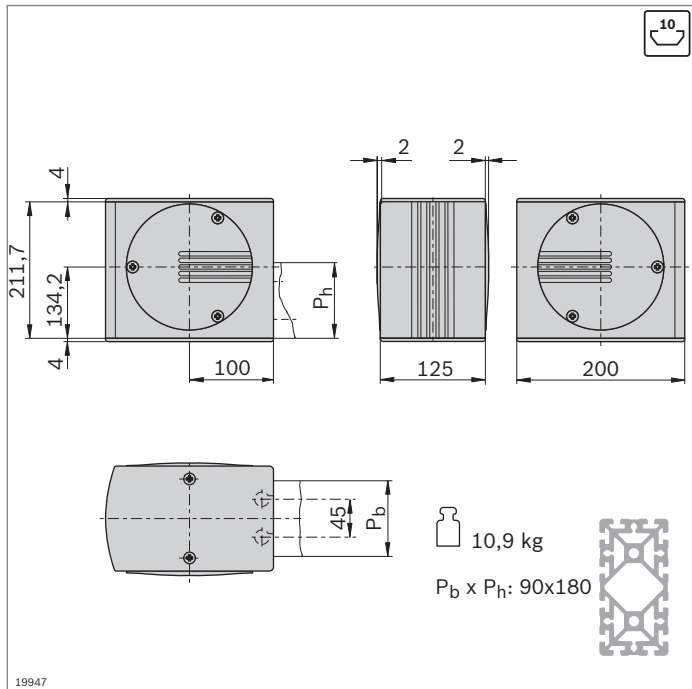
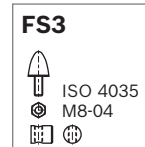
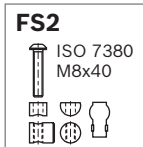
Material: Steel, hardened, polished
 Accessories: Cylinder bolt DIN 912 – M6x16
 T-nut M6, 10 mm slot (**3 842 530 285**)
 Condition on delivery: Ungreased; greasing according to assembly instructions **3 842 527 226**



- ▶ Drive head for transferring drive torque to a toothed belt
- ▶ For direct mounting of a motor or (in conjunction with a center shaft) for mounting a hollow shaft gear or a coupling (p. 13-46)
- ▶ Mounted directly on profile by using longitudinal end connector (connector included in scope of delivery)
- ▶ Profile machining: LF blind hole drilling for longitudinal end connector

Drive head	No.	FS
LF20C	3 842 526 867	4xFS2, 2xFS3

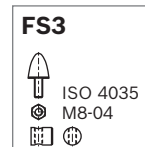
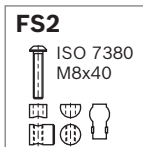
Material: Drive head: aluminum, anodized
Hollow shaft: steel; galvanized
Scope of delivery: Incl. fastening material (FS), cover caps

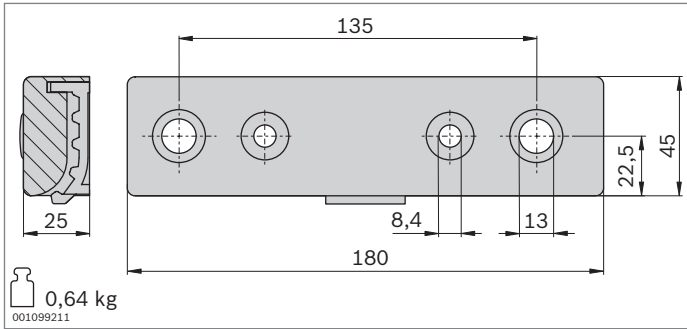


- ▶ Return head for tensioning the toothed belt and changing its direction
- ▶ Mounted directly on profile by using longitudinal end connector (connector included in scope of delivery)
- ▶ Profile machining: LF blind hole drilling for longitudinal end connector

Return head	No.	FS
LF20C	3 842 526 869	4xFS2, 2xFS3

Material: Return head: aluminum, anodized
Hollow shaft: steel; galvanized
Cover caps: PA, black
Scope of delivery: Incl. fastening material (FS), cover caps

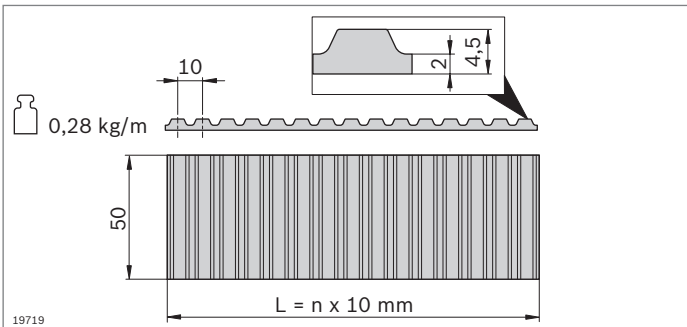
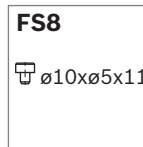
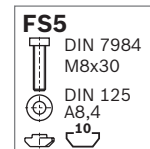
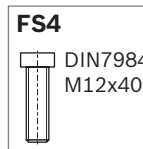




- ▶ Belt connector for fastening the toothed belt to the trolley slot
- ▶ Profile finish for strut profile 45x270 for trolley LF20S: M12
- ▶ All connecting parts included for mounting at the profile end (LF20S) or the slot (LF20C)

Belt connector	No.	FS
LF20	2	3 842 535 680 2xFS4, 2xFS5, 2xFS6, 2xFS7, 4xFS8

Material: Aluminum, painted black
 Scope of delivery: Incl. fastening material (FS)

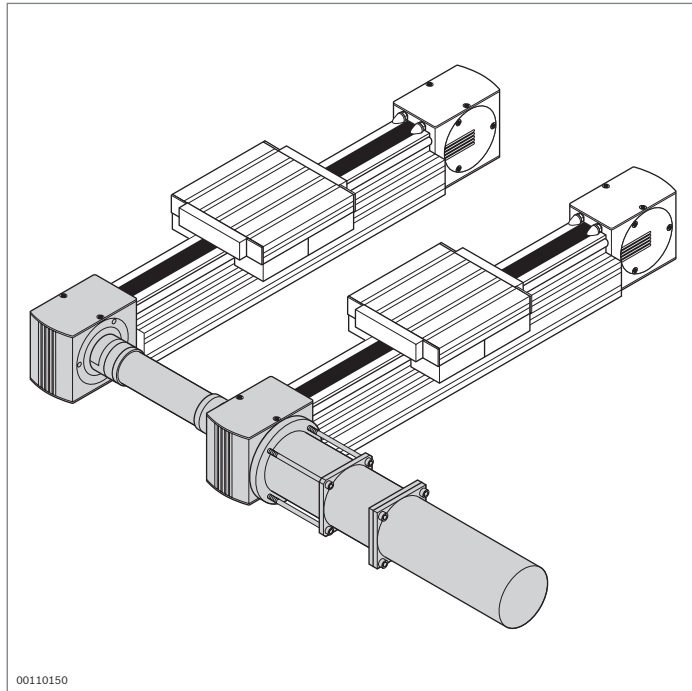


- ▶ Toothed belt as a trolley drive
- ▶ Pitch: AT10

Toothed belt	L (mm)	No.
LF20	300 ... 50000	3 842 994 662 / L₃¹⁾
	50000	3 842 513 648

¹⁾ L₃ = 2xL₂ - L₁ + 780

Material: PU with embedded steel wires



Linear guide drives

Drive concept

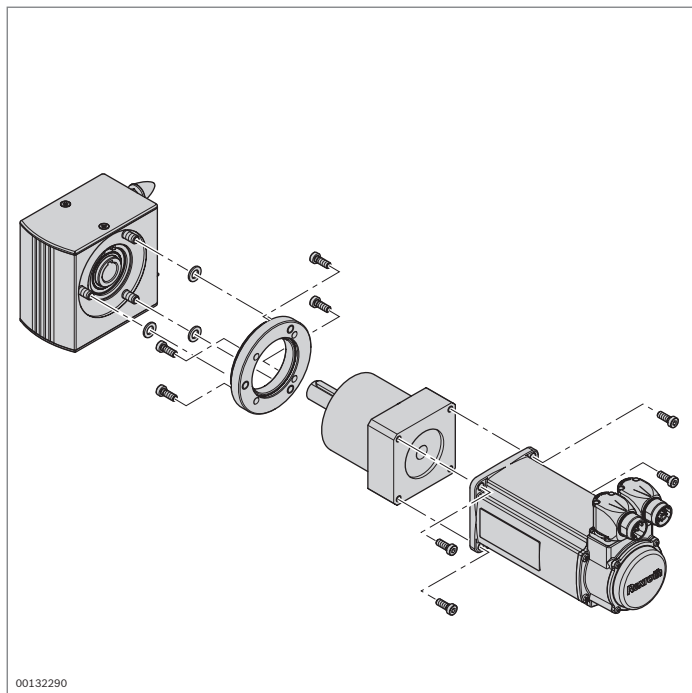
The linear guides are driven via the hollow shaft in the drive head. The drive head is used to directly install a motor or alternatively (in connection with a center shaft) a hollow shaft gear or a coupling. Depending on the desired speeds of movement for the application, it is necessary to use various motor types in conjunction with intermediate gears. Due to the multitude of drive components available in the market, there are a large number of possible combinations.

The MGE modular profile system makes it easy to assemble Bosch Rexroth linear guides through the use of a standard shaft and simple connection dimensions.

Fastening

The drive head is directly secured on the profile by means of longitudinal end connectors.

The motor, or the intermediate gear flange, can be screwed to the drive head as a complete unit from the left- or right-hand side.

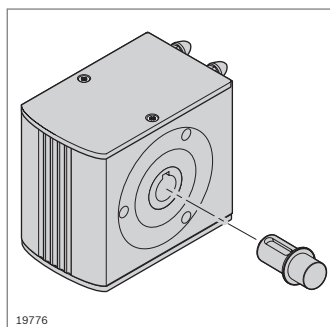


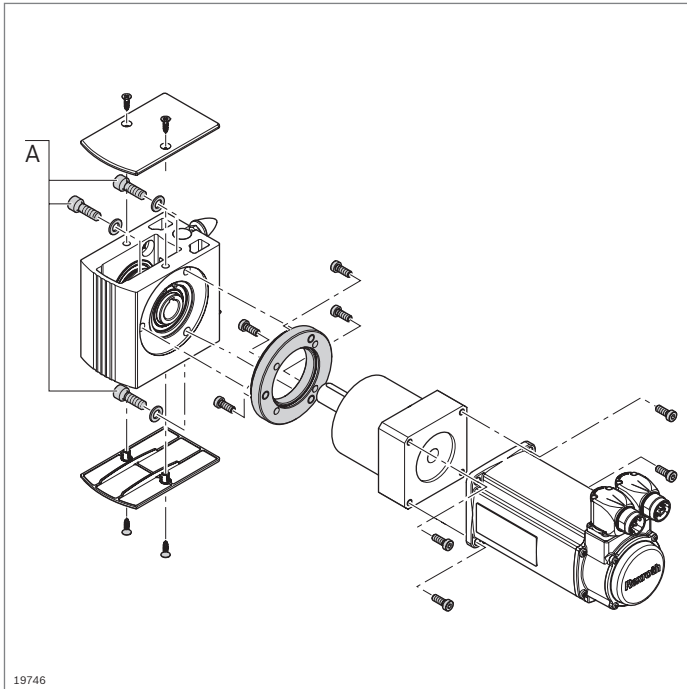
Synchronous shafts

The use of synchronous shafts (p. 13-47) enables several linear axes to be operated with one drive.

Connection dimensions (flange)

The connection dimensions for the size LF6, LF12 and LF20 linear guides are shown on pages 13-45.





Flange

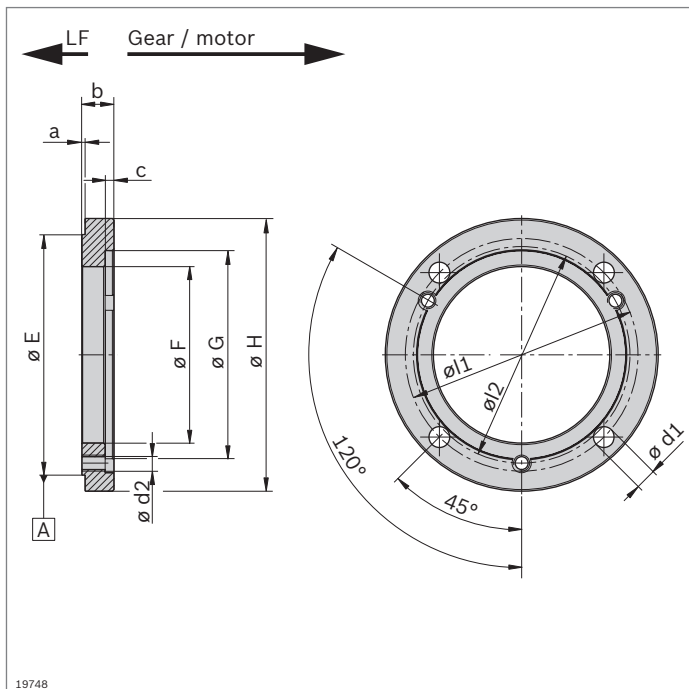
A flange is generally required for fixing the motor/gear unit in place. The connection dimensions for connection to the drive head are shown below. The connection to the motor/gear unit depends on the model chosen in each case.

See also the connection dimensions for the drive heads LF6S (p. 13-9), LF6C (p. 13-14), LF12C (p. 13-28), LF12S (p. 13-21), LF20C (p. 13-42), LF20S (p. 13-35)

Fastening material flange A

Note regarding flange in self-build version. Adapt fastening material to suit differing flange thicknesses.

	LF6 (b = 14.5 mm)	LF12 (b = 20 mm)	LF20 (b = 20 mm)
Drive head – flange	ISO 4762 – M8x22 (3x) ISO 7092 – 8 (3x)	ISO 4762 – M8x25 (3x) ISO 7092 – 8 (3x)	ISO 4762 – M10x30 (3x) ISO 7092 – 10 (3x)



Drawing and dimensions for flange in self-build version. Customer-specific adjustment is necessary, depending on the motor and gear unit. The fastening material must be self-sourced.

Flange

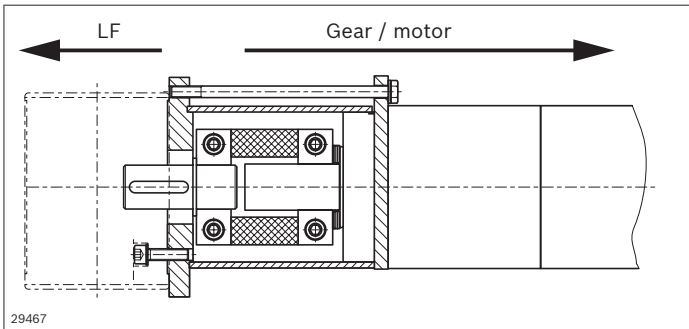
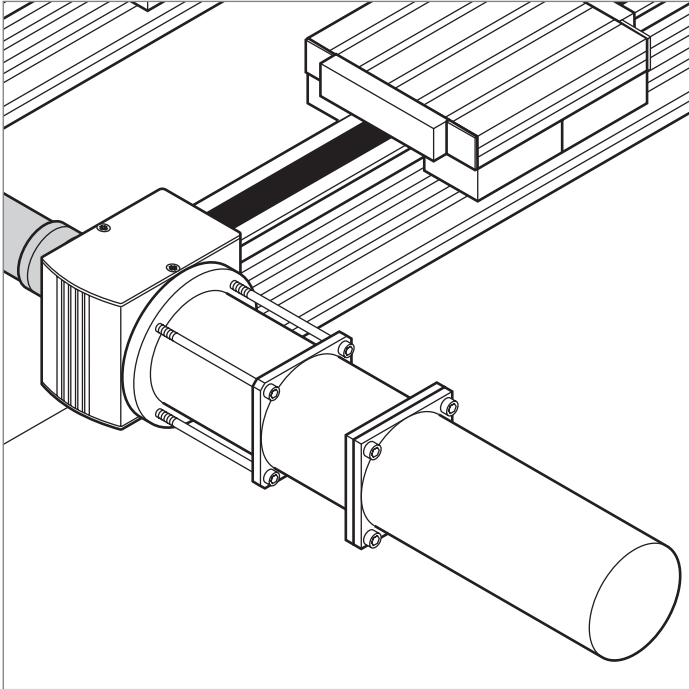
Dimension parameter	LF6 (mm)	LF12 (mm)	LF20 (mm)
a	3.5 ± 0.15	3.5 ± 0.15	2 ± 0.15
b _{min} *)	0.05	*)	*)
c*)	*)	*)	*)
E	Ø 88 -0.1/-0.3	Ø 111 -0.1/-0.3	Ø 150 -0.1/-0.3
F _{min} *)	Ø *)	Ø *)	Ø *)
G*)	0.05 A	Ø *)	Ø *)
H*)	Ø *)	Ø *)	Ø *)
I1*)	Ø *)	Ø *)	Ø *)
I2	Ø 78	Ø 100	Ø 135
d1*)	Ø *)	Ø *)	Ø *)
d2	Ø 0.25 M8	M8	M10

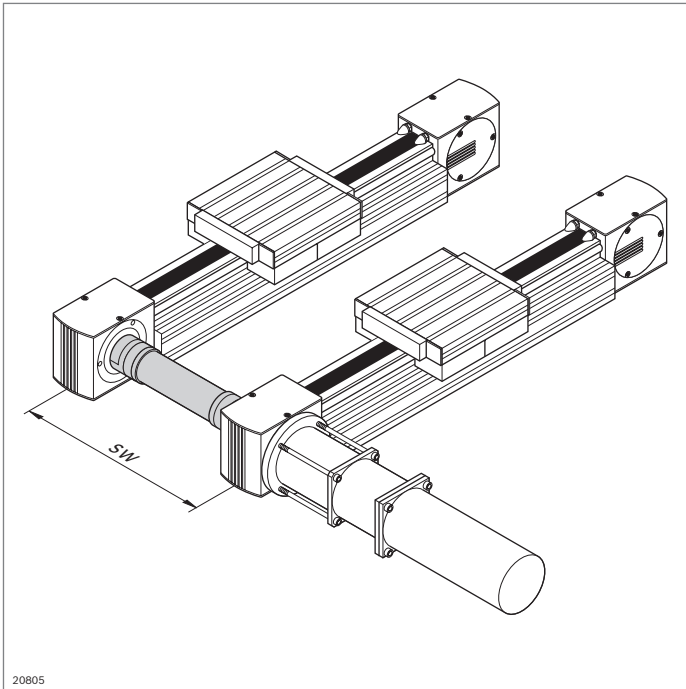
*) Dimension according to customer drive

Note: The values must be checked by the user.

Alternative mounting with coupling

Instead of direct mounting over the section link, a coupling can be inserted. This allows any user truing errors to be rectified. The coupling must be designed and sourced by the customer.





20805

Center shafts, synchronous shafts

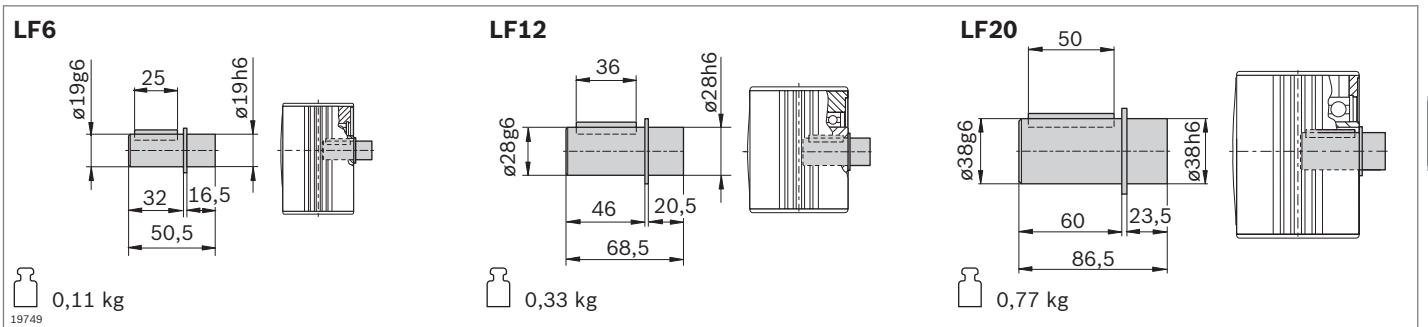
Center shafts

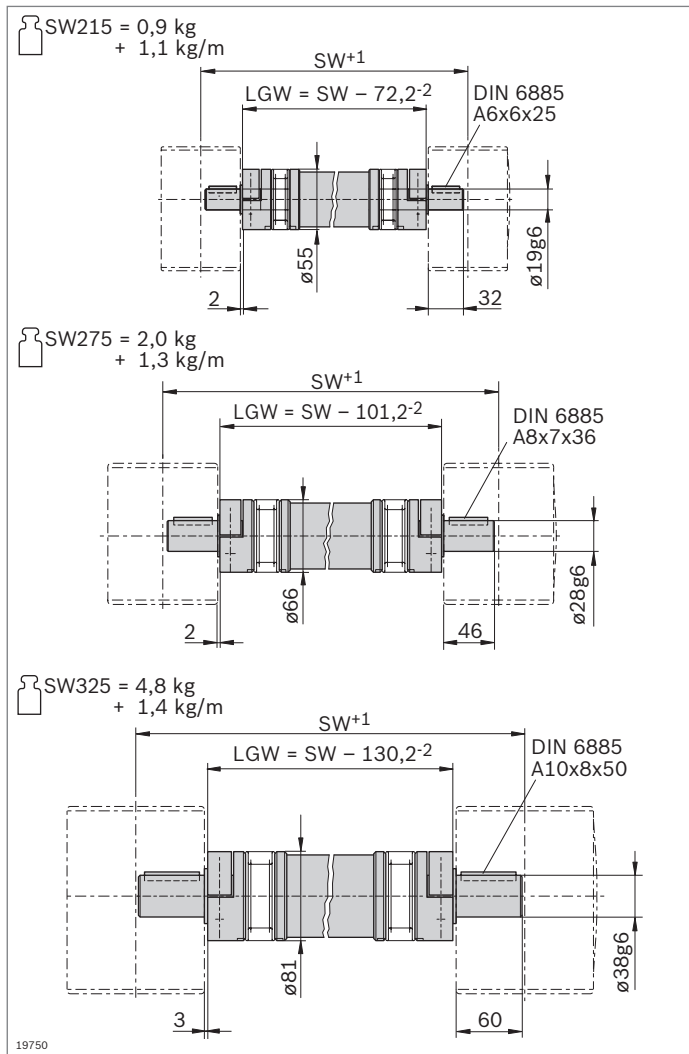
- ▶ Enable the installation of customized drive solutions

Center shaft	No.
LF6	3 842 526 893
LF12	3 842 526 894
LF20	3 842 526 895

Material: Steel, nickel-plated

SW = support separation





Synchronous shafts

- ▶ Allow several linear guides to be operated synchronously while being driven by a common motor
- ▶ The synchronous shaft can be replaced without the drive heads having to be disassembled

The selection diagrams on pages 13-55 and 13-56 specify maximum values without safety margins.

Synchronous shaft	SW (mm)	No.
LF6	215 ... 3000	3 842 994 811 / SW
LF12	275 ... 3500	3 842 994 812 / SW
LF20	325 ... 3500	3 842 994 813 / SW

Material: Steel/aluminum

SW = support separation
 LGW = length of synchronous shaft

Technical data for roller, design, mounting

General technical data and calculations

Speed

$$v_{\max} = 5 \text{ m/s}$$

Acceleration

$$a_{\max} = 15 \text{ m/s}^2$$

Temperature resistance

$$-10 \text{ °C} < \vartheta < 40 \text{ °C}$$

Lubrication

All cam roller guide ball bearings are delivered with built-in lubrication felts.

Condition on delivery

Ungreased (greasing with Klüber Isoflex Topas NCA 52; see assembly instructions **3 842 527 226**)

v Lubricating felts with reservoir are not greased.

Guide rods are ungreased.

Definition of dynamic load rating C

The radial loading of constant magnitude and direction which a linear rolling bearing can theoretically withstand for a nominal service life of 100 km distance traveled (acc. to ISO 14728 Part 1).

Note regarding maximum load F_{\max}

The maximum loads apply to individual loads. Combining loads decreases the expected service life.

Definition and calculation of nominal service life

The calculated service life which an individual linear rolling bearing – or a group of apparently identical rolling element bearings operating under the same conditions – can attain with a 90% probability, based on the materials of normal manufacturing quality that are generally used today and under usual operating conditions (acc. to ISO 14728 Part 1) and optimal installation conditions.

Nominal service life at constant speed

$$L = \left(\frac{C}{F} \right)^3 \cdot 10^5$$

$$L_h = \left(\frac{L}{2 \cdot s \cdot n_s \cdot 60} \right)$$

L = nominal service life (m)

L_h = nominal service life (h)

C = dynamic load capacity (N)

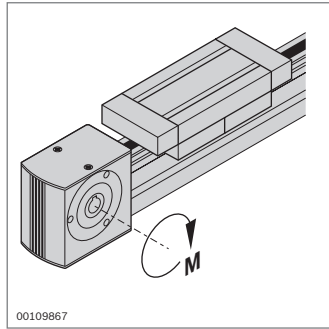
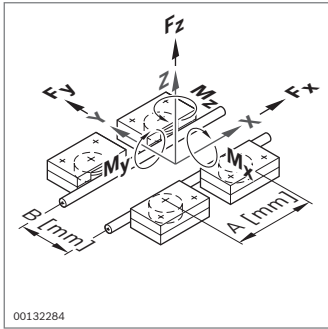
F = equivalent load (N)

s = length of stroke* (m)

n_s = stroke frequency (double stroke) (min^{-1})

*) For $s < 2 \times L_1$ (trolley length) load capacities are reduced.

Please consult us.



Load-dependent design

- The specified values are maximum single loads, which are reduced when loads are combined

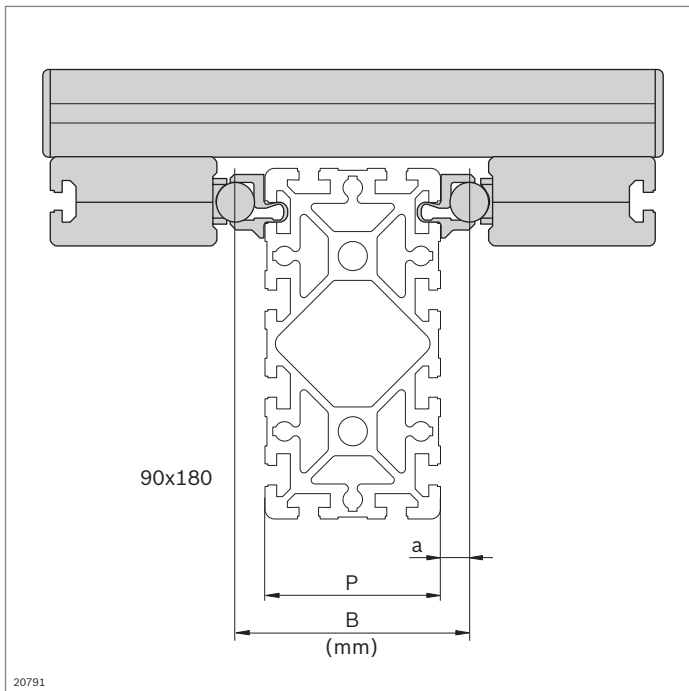
Note: If cumulative forces and moments arise in your application, please use the Linear Motion Designer LF-MGE linear guide calculation program to recalculate your design (p. 13-57)

	F_z (N)	F_y (N)	M_x (Nm)	M_z (Nm)	M_y (Nm)	v_{max} (m/s)	M_{max} (Nm)
LF6S	850	1400	13.6	$0.7 \times A^{1)}$	$0.4 \times A^{1)}$	5	9.5 / 7.6
LF6C	850	1400	$0.4 \times B^{1)}$	$0.7 \times A^{1)}$	$0.4 \times A^{1)}$	5	15
LF12S	2000	3500	78.0	$1.7 \times A^{1)}$	$1.0 \times A^{1)}$	5	30
LF12C	2000	3500	$1.0 \times B^{1)}$	$1.7 \times A^{1)}$	$1.0 \times A^{1)}$	5	30
LF20S	6000	12500	240.0	$6.2 \times A^{1)}$	$3.0 \times A^{1)}$	5	100
LF20C	6000	12500	$3.0 \times B^{1)}$	$6.2 \times A^{1)}$	$3.0 \times A^{1)}$	5	100

¹⁾ Note: A (spacing of support rollers, see image above) in mm; see below for calculation of B (track width)

Do not exceed the maximum loading of the screwed connections for rails, carriages and fastenings.

Take account of the general service life of lubricants!

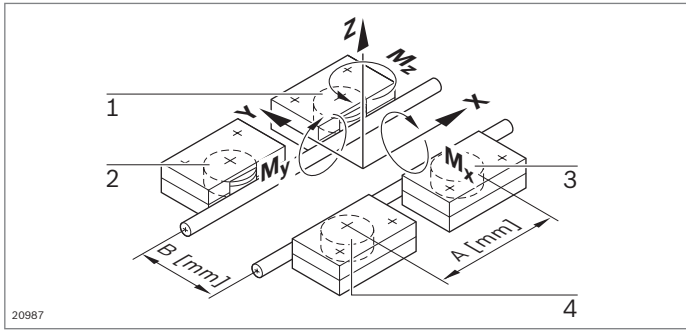


Calculating the track width B

$$B = P + 2 \times a$$

- B = track width (in mm)
- P = profile width (in mm)
- a = rod spacing (in mm)

Values for a: for LF6C = 9.5 mm (p. 13-13)
 for LF12C = 9 mm (p. 13-25)
 for LF20C = 15 mm (p. 13-39)



Roller 1:

$$F_r = -\left(\frac{F_y}{2}\right) - \left(\frac{M_z}{A}\right)$$

$$F_a = \left(\frac{F_z}{4}\right) + \left(\frac{M_x}{2 \cdot B}\right) - \left(\frac{M_y}{2 \cdot A}\right)$$

Roller 3:

$$F_r = +\left(\frac{F_y}{2}\right) + \left(\frac{M_z}{A}\right)$$

$$F_a = \left(\frac{F_z}{4}\right) - \left(\frac{M_x}{2 \cdot B}\right) - \left(\frac{M_y}{2 \cdot A}\right)$$

Roller 2:

$$F_r = -\left(\frac{F_y}{2}\right) + \left(\frac{M_z}{A}\right)$$

$$F_a = \left(\frac{F_z}{4}\right) + \left(\frac{M_x}{2 \cdot B}\right) + \left(\frac{M_y}{2 \cdot A}\right)$$

Roller 4:

$$F_r = +\left(\frac{F_y}{2}\right) - \left(\frac{M_z}{A}\right)$$

$$F_a = \left(\frac{F_z}{4}\right) - \left(\frac{M_x}{2 \cdot B}\right) + \left(\frac{M_y}{2 \cdot A}\right)$$

Table 1: Load factors for rollers

	Load case: $F_r \geq F_a $				Load case: $F_r < F_a $			
	x	y	x_0	y_0	x	y	x_0	y_0
LF6	1	3.1	1.2	3.5	0.5	3.6	1	3.7
LF12	1	4.2	1.2	5.2	0.5	4.7	1	5.4
LF20	1	4	1.2	4.9	0.5	4.5	1.1	5

Table 2: Rollers - load capacities

	C for 10⁵ m (N)	C₀ (N)
LF6	3670	2280
LF12	8300	5000
LF20	23400	16600

Calculation of load on bearing for a trolley

Loading of the individual rollers

- ▶ A mm: spacing of the rollers' rotational axes
- ▶ B mm: center-to-center distance between the guide rods
- ▶ Only compressive forces can be transferred between rollers and guide rods in the radial direction. The following therefore applies in respect of radial forces:
 $F_r \leq 0: F_r = 0$
- ▶ Rollers can be loaded equally in both directions.
 Therefore force F_a is sufficient for calculating P and P_0

Equivalent dynamic and static loads

To calculate the service life of a cam roller guide, the roller with the greatest load has to be considered.

The following must be determined:

$$P = \max(P_1, \dots, P_4)$$

$$P_0 = \max(P_{01}, \dots, P_{04})$$

Equivalent dynamic load P

$$P = x \cdot |F_r| + y \cdot |F_a|$$

Equivalent static load P_0

$$P_0 = x_0 \cdot |F_r| + y_0 \cdot |F_a|$$

F_r (N): radial load of the roller

The following applies: $F_r \leq 0: F_r = 0$

F_a (N): axial load of the roller

x, x_0 : radial factor (Table 1)

y, y_0 : axial factor (Table 1)

C: dynamic load capacity (Table 2)

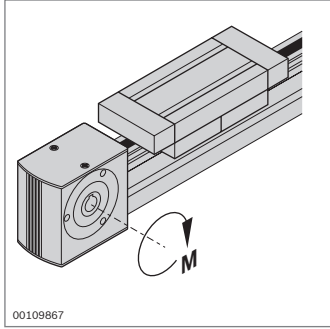
C_0 : static load capacity (Table 2)

Static safety values:

$$S_0 = \left(\frac{C_0}{P_0}\right)$$

$S_0 \geq 4$ recommended!

Size selection



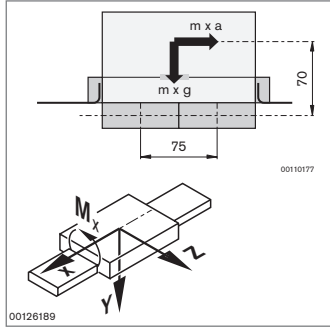
Determining the forces and moments which arise

$$\begin{matrix} F_{x\text{dyn}}, F_{y\text{dyn}}, F_{z\text{dyn}}^{1)} \\ M_{x\text{dyn}}, M_{y\text{dyn}}, M_{z\text{dyn}} \end{matrix}$$

¹⁾ $F_{z\text{dyn}}$ includes the weight of the trolley

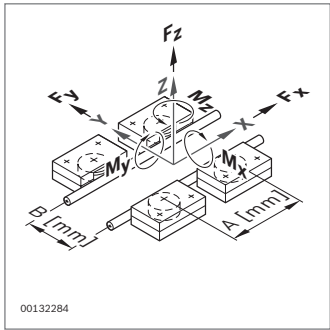
All the influences must be considered, e.g.:

- net mass and load
- acceleration forces and moments
- process forces and moments
- loads caused by dampers and/or stops



Determining the permissible forces and moments

For values see p. 13-51



Selection of the suitable size

$$\begin{matrix} F_{x, y, z \text{ dyn}} < F_{x, y, z \text{ dyn zul}} ! \\ M_{x, y, z \text{ dyn}} < M_{x, y, z \text{ dyn zul}} ! \end{matrix}$$

If F and M are cumulative:

recalculate using linear guide calculation program.

Note: When using the program, account must be taken of the directions of the respective forces and moments, i.e. the plus/minus sign, in order for the program to be able to calculate correctly.

You can order the CD directly from our media catalog, number 3 842 540 900.

www.boschrexroth.com/mediadirectory

Example:

$$\begin{aligned} m &= 30 \text{ kg} & a &= 2.5 \text{ m/s}^2; \\ L_1 &= 150 \text{ mm} & L_2 &= 5000 \text{ mm} \\ g &= 9.81 \text{ m/s}^2 \end{aligned}$$

$$F_{z\text{dyn}} = m \cdot g = 294 \text{ N}$$

$$M_{y\text{dyn}} = m \cdot a \cdot 70 \text{ mm} = 5.25 \text{ Nm}$$

Example of LF 6 S, LF 6 C

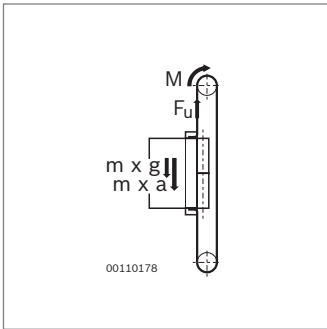
$$\begin{aligned} F_{z\text{dyn zul}} &= 850 \text{ N} > F_{z\text{dyn}} = 294 \text{ N} \\ M_{y\text{dyn zul}} &= 0.4 \cdot A = 0.4 \cdot 75 \text{ mm} \\ &= 30 \text{ Nm} > M_{y\text{dyn}} = 5.25 \text{ Nm} \end{aligned}$$

Example:

$$F_{z\text{dyn}} = 294 \text{ N} < F_{z\text{dyn zul}} = 850 \text{ N} !$$

$$M_{y\text{dyn}} = 5.25 \text{ Nm} < M_{y\text{dyn zul}} = 30 \text{ Nm} !$$

Calculating the drive

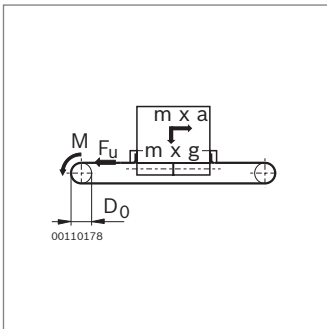


Peripheral force F_u

$$F_u = m \cdot a + m \cdot g + F_0 + \mu \cdot m \cdot g$$

$$F_u \leq F_{u\text{zul}} !$$

F_0 : frictional force on return units
 μ : coefficient of friction of the guide
 see table below.



Alternative calculation formula

$$F_u = m \cdot a + F_0 + \mu \cdot m \cdot g \leq F_{u\text{zul}} !$$

Example of LF6C

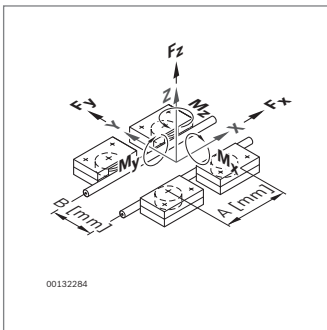
$$m = 30 \text{ kg}; \quad a = 2.5 \text{ m/s}^2$$

$$F_u = (30 \cdot 2.5) \text{ N} + 10 \text{ N}$$

$$+ (0.025 \cdot 30 \cdot 9.81) \text{ N}$$

$$F_u = 75 \text{ N} + 10 \text{ N} + 0.025 \cdot 294 \text{ N}$$

$$F_u = 92.35 \text{ N} < F_{u\text{zul}} = 600 \text{ N} !$$



Required drive torque M

$$M = \frac{1}{2} \cdot D_0 \cdot F_u \leq M_{\text{zul}} !$$

Example:

$$M = \frac{1}{2} \cdot 50.94 \text{ mm} \cdot 92.35 \text{ N}$$

$$= 2.4 \text{ Nm}$$

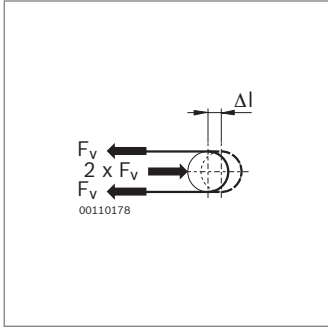
$$M = 2.35 \text{ Nm} \leq M_{\text{zul}}$$

$$= 15 \text{ Nm} !$$

	v (m/s)	$F_{u\text{zul}}$ (N)	M_{zul} (Nm)	F_0 (N)	μ	D_0 (mm)	$D_0 \cdot \pi$ (mm)
LF6S	≤ 2.0	500	9.5	10	0.025	38.21	120
LF6S	2.01 ... 5.0	400	7.6	10	0.025	38.21	120
LF6C	≤ 5.0	600	15.0	10	0.025	50.94	160
LF12S	≤ 5.0	820	30.0	30	0.020	73.20	230
LF12C	≤ 5.0	820	30.0	30	0.020	73.20	230
LF20S	≤ 5.0	2000	100.0	35	0.015	101.86	320
LF20C	≤ 5.0	2000	100.0	35	0.015	101.86	320

F_0 : frictional force on return units; μ : coefficient of friction

Checking the selected size



Preload force F_v of toothed belt

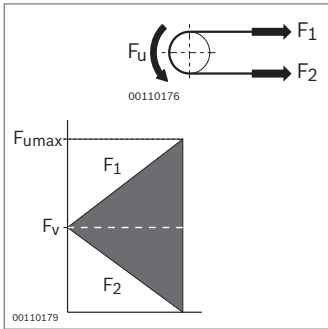
$$0.5 \cdot F_u \leq F_v \leq F_u$$

Recommendation: $F_v = 0.5 \cdot F_u$

Example:

$$F_u = 92.35 \text{ N}$$

$$F_v = 50 \text{ N}$$



Maximum toothed belt force $F_{1 \max}$

$$F_{1 \max} = F_v + 0.5 \cdot F_u \leq F_{1 \text{ zul}} !$$

$$F_{2 \min} = F_v - 0.5 \cdot F_u > 0 !$$

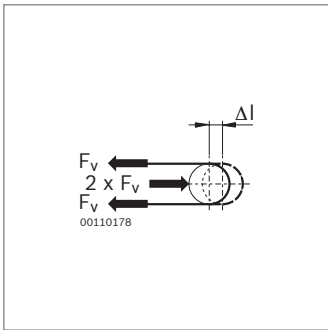
Example of LF6C

$$F_{1 \max} = 50 \text{ N} + 0.5 \cdot 92.35 \text{ N}$$

$$F_{1 \max} = 96.18 \text{ N} < F_{1 \text{ zul}} = 900 \text{ N} !$$

$$F_{2 \min} = 50 \text{ N} - 0.5 \cdot 92.35 \text{ N}$$

$$F_{2 \min} = 3.825 \text{ N} > 0 !$$



Required preload length Δl

$$\Delta l = 0.5 \cdot F_v \cdot L / C_{\text{spez}} \leq \Delta l_{\max} !$$

Example:

$$L = 2 \cdot L_2 - L_1 + 400 \text{ mm}$$

$$L = 10 \cdot 250 \text{ mm}$$

$$\Delta l = 0.5 \cdot 50 \text{ N} \cdot 10 \cdot 250 \text{ mm}$$

$$/ 420 \cdot 000 \text{ N}$$

$$\Delta l = 0.8 \text{ mm} < \Delta l_{\max} = 13 \text{ mm} !$$

	$F_{1 \text{ zul}}$ (N)	C_{spez} (N)	Δl_{\max} (mm)	L (mm)	Page
LF6S	750	315000	11	$2 \cdot L_2 - L_1 + 360$	13-6
LF6C	900	420000	13	$2 \cdot L_2 - L_1 + 400$	13-11
LF12S	1230	1250000	16	$2 \cdot L_2 - L_1 + 630$	13-16
LF12C	1230	1250000	16	$2 \cdot L_2 - L_1 + 630$	13-23
LF20S	3000	1870000	23	$2 \cdot L_2 - L_1 + 780$	13-30
LF20C	3000	1870000	23	$2 \cdot L_2 - L_1 + 780$	13-37

C_{spez} : Belt stiffness;

L: Long toothed belts, see also LF6 (p. 13-6), LF6C (p. 13-11),

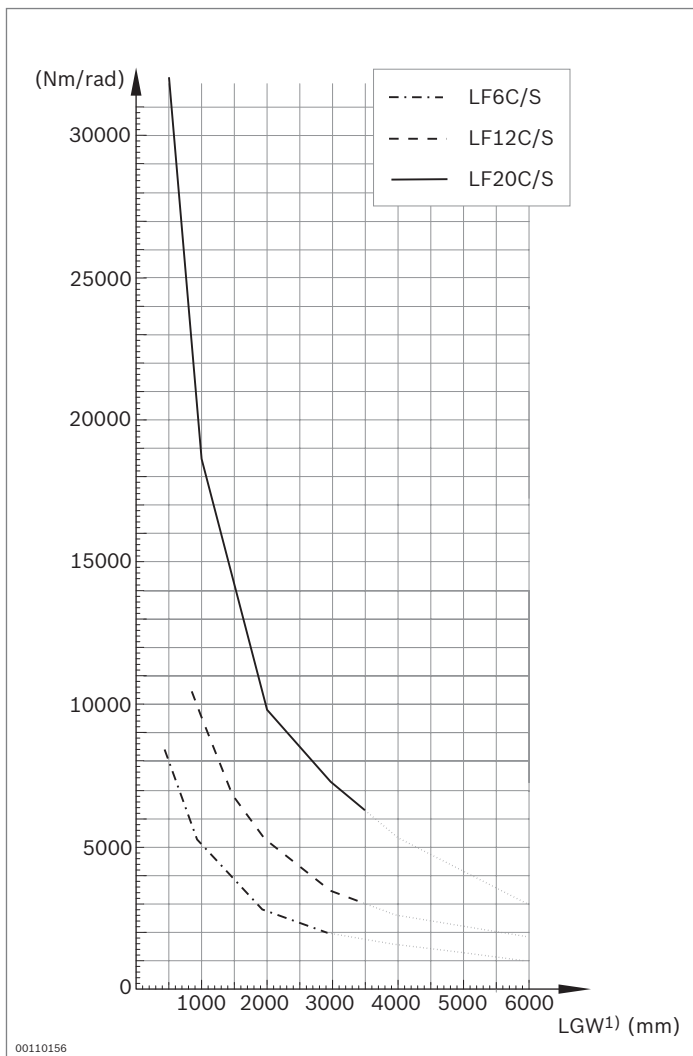
LF12S (p.13-16), LF12C (p. 13-23),

LF20S (p. 13-30), LF20C (p. 13-37)

Dimensioning of synchronous shafts

			LF6	LF12	LF20
Support separation SW	horizontal		215 ... 3000 mm	275 ... 3500 mm	325 ... 3500 mm
	vertical		215 ... 2000 mm	275 ... 2000 mm	325 ... 1100 mm
Nominal torque			max. 30 Nm	max. 60 Nm	max. 150 Nm
Permitted rpm			diagram 3 (p. 13-56) max. 0.7 · nk	diagram 3 (p. 13-56) max. 0.7 · nk	diagram 3 (p. 13-56) max. 0.7 · nk
Elasticity	axial		max. 2 mm	max. 3 mm	max. 4 mm
	lateral		diagram 4 (p. 13-56)	diagram 4 (p. 13-56)	diagram 4 (p. 13-56)
	torsion angle		diagram 5 (p. 13-56)	diagram 5 (p. 13-56)	diagram 5 (p. 13-56)

Diagram 1: Torsion stiffness



¹⁾ Long synchronous shaft LGW

- LF6 LGW = SW - 72
- LF12 LGW = SW - 101
- LF20 LGW = SW - 130

Diagram 2: Mass inertia

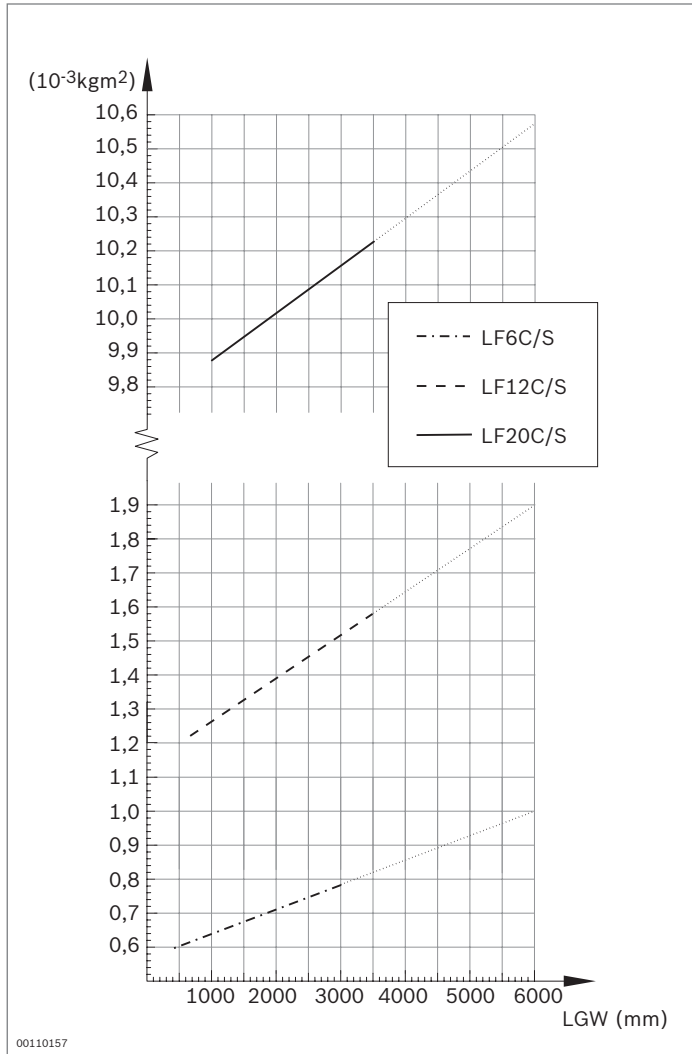


Diagram 3: Critical rpm nk due to bending

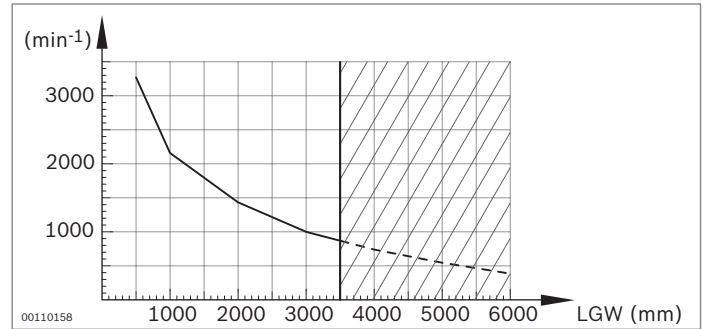
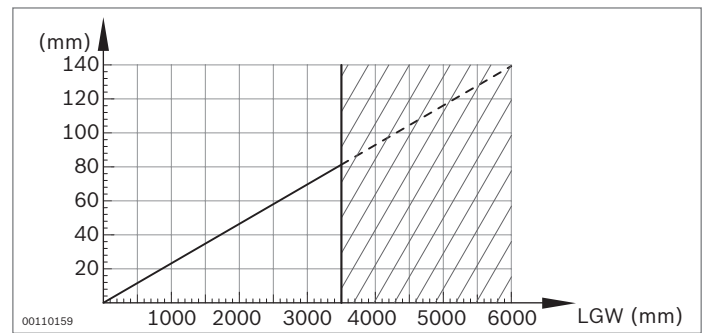
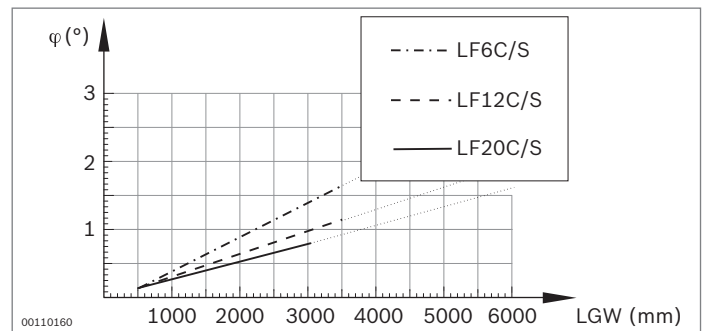


Diagram 4: Lateral offset



Aligned shafts are recommended.

Diagram 5: Torsion angle



Planning tool LF-MGE

Automation from a single source

Planning, implementation, commissioning and training – Rexroth offers you support in every project phase.

Besides the catalogs and brochures, we provide you with powerful planning tools.

On our website you can find information on new products as well as continually updated information on our existing products.

In addition, our sales and service teams are on hand to answer specific questions.

When implementing our systems, we also support you with our broad range of training measures.

Design program

With the LF-MGE Linear Motion Designer we offer a professional planning tool for the quick and easy design of linear guides.

Performance characteristics

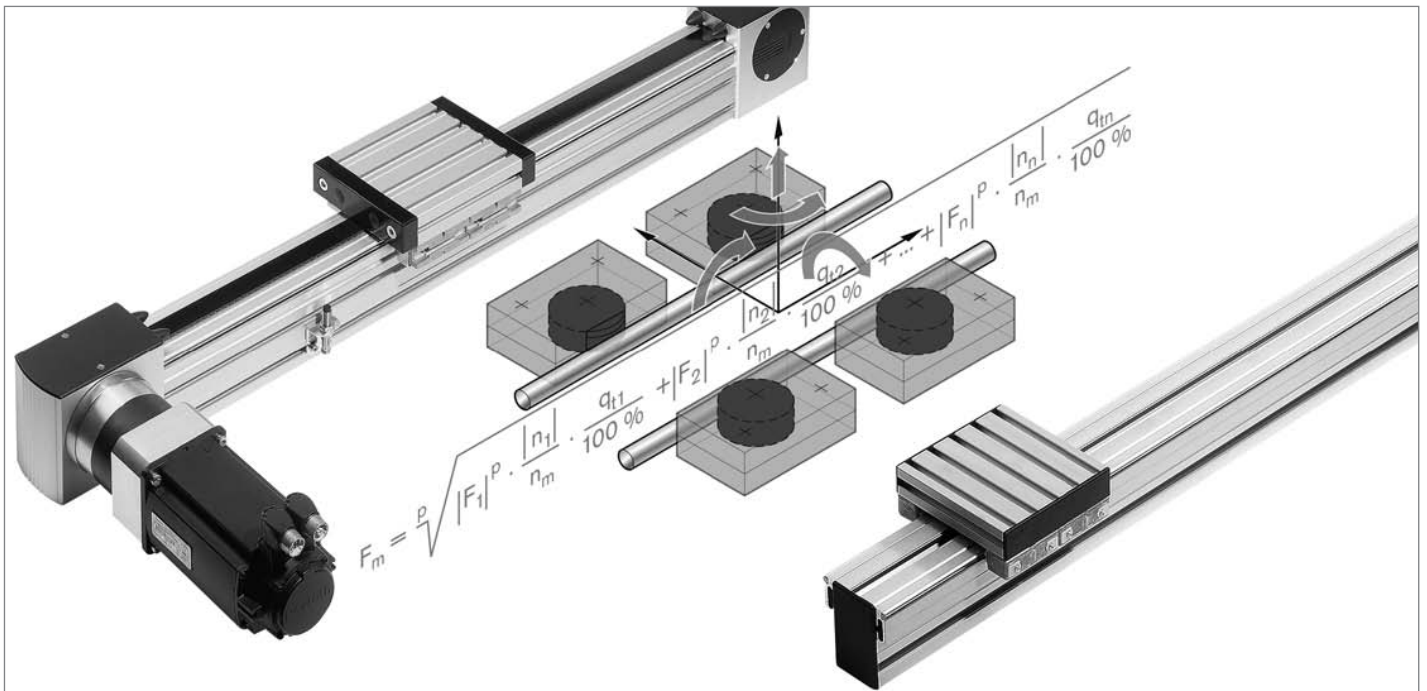
- ▶ Calculation of the service life of the individual guide bearings
- ▶ Combination of up to 16 guide bearings
- ▶ Dynamic movement sequence input
- ▶ Checking of the selected size
- ▶ Quick and easy design
- ▶ Clear displaying and documenting of results

Multilingual content and graphical user interface in 5 different languages (de/en/fr/it/es). The program can be run directly from the CD without separate installation.

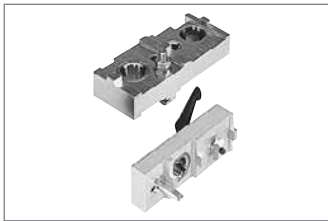
You can order the CD directly from our media catalog, number 3 842 540 900.

www.boschrexroth.com/mediadirectory

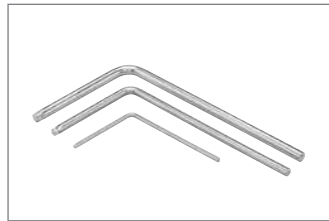
LF-MGE	No.
	3 842 540 900



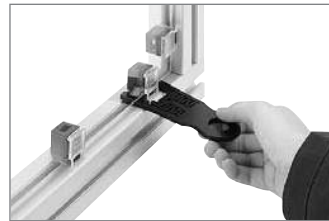
Tools



Drilling jigs (p. 14-2)



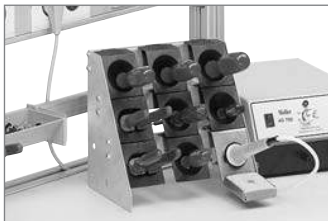
Offset screwdriver Torx®
(p. 14-6)



Variofix remover, flexible
grinder for anodized
surfaces (p. 14-7)



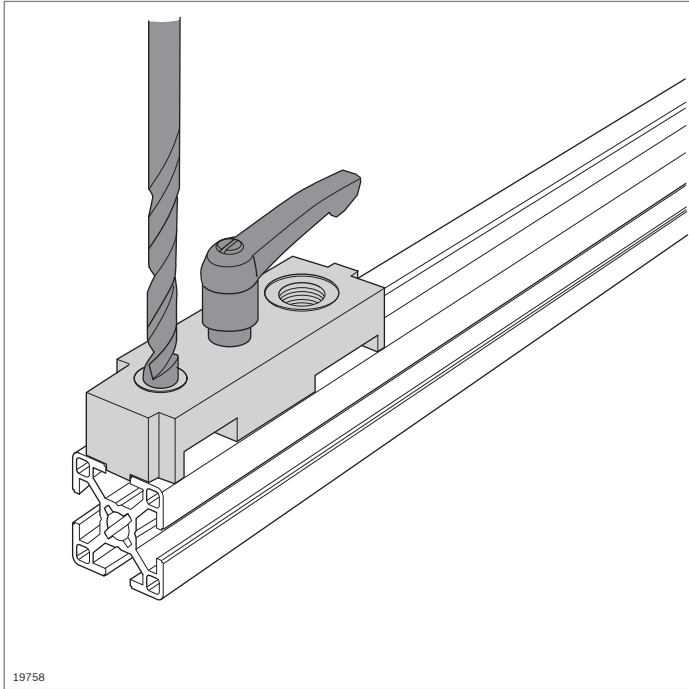
Beveling shears (p. 14-7)



Tool shelf, tool holder
(p. 14-8)

Let us send you information on the complete product range of Bosch power tools!

Robert Bosch Tool Corporation
Call our Service Hotline or use our contact form.
1-877-BOSCH99 (1-877-267-2499)
<https://www.boschtools.com>

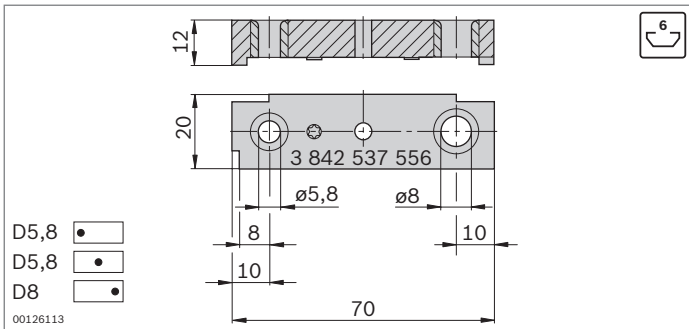


19758

Drilling jigs



- ▶ For simple drilling of standard holes for the Rexroth range of connectors
- ▶ Stopping surfaces and edges for precise hole positioning
- ▶ Lockable



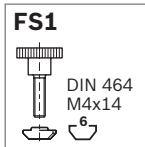
Drilling jigs – slot 6 mm

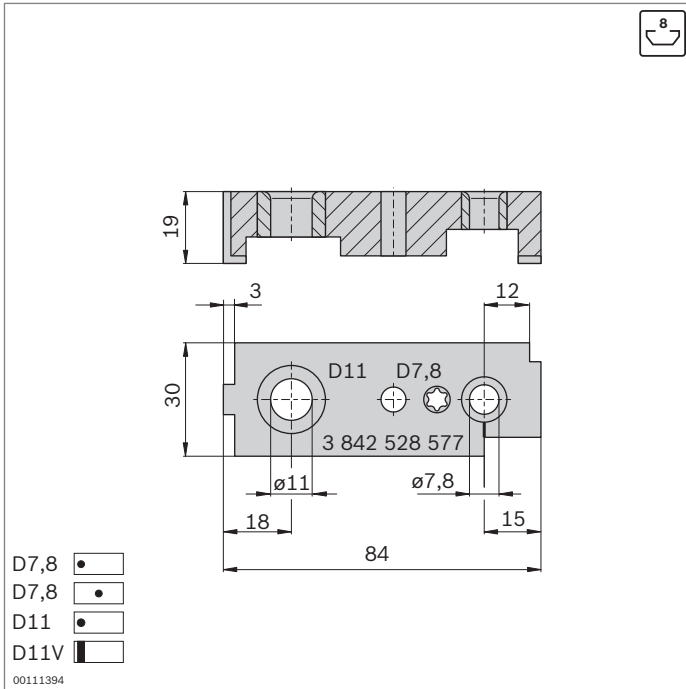
- ▶ For through-holes (ø 5.8) for hexagonal-star socket screwdrivers T25
- ▶ For fastening holes (ø 8) for quick connectors

Drilling jig	No.	FS
Slot 6 mm	3 842 537 556	FS1

Material: Aluminum

Scope of delivery: Incl. fastening material (FS)



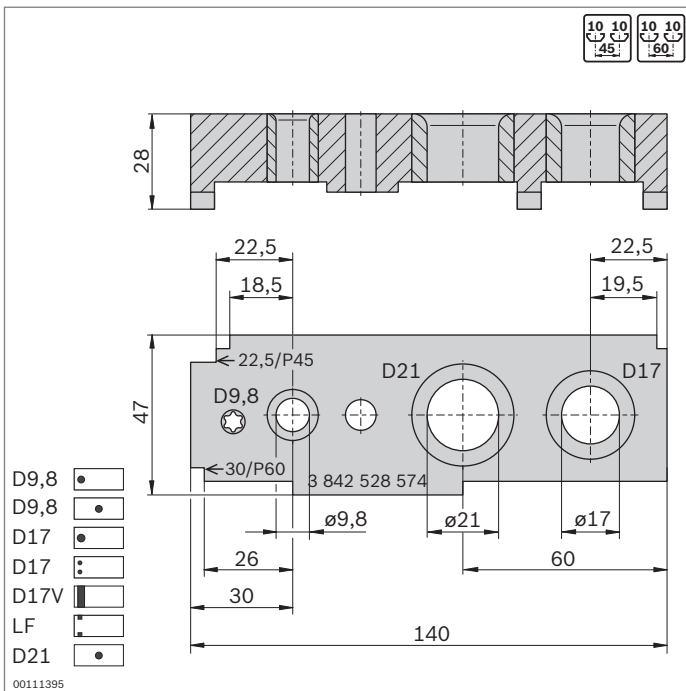
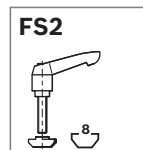


Drilling jigs – slot 8 mm

- ▶ For through-holes (\varnothing 7.8) for hexagonal-star socket screwdrivers T40
- ▶ For fastening holes (\varnothing 11) for quick connectors

Drilling jig	No.	FS
Slot 8 mm	3 842 528 577	FS2

Material: Steel; galvanized
Scope of delivery: Incl. fastening material (FS)

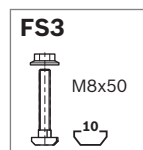


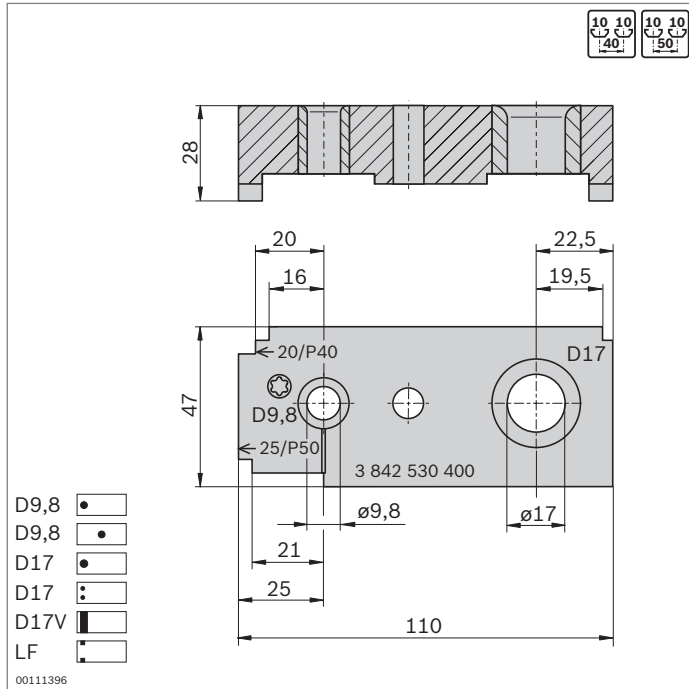
Drilling jigs – slot 10 mm, modular dimensions 45, 60

- ▶ For fastening holes (\varnothing 17) for bolt connectors, quick connectors, and threaded sleeves
- ▶ For through-holes (\varnothing 9.8) for hexagonal-star socket screwdrivers T50
- ▶ For counterbores (\varnothing 21) for pneumatic connections

Drilling jig	No.	FS
Slot 10 mm, modular dimensions 45, 60	3 842 528 574	FS3

Material: Steel; galvanized
Scope of delivery: Incl. fastening material (FS)





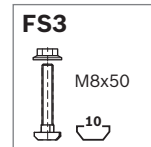
Drilling jigs – slot 10 mm, modular dimensions 40, 50

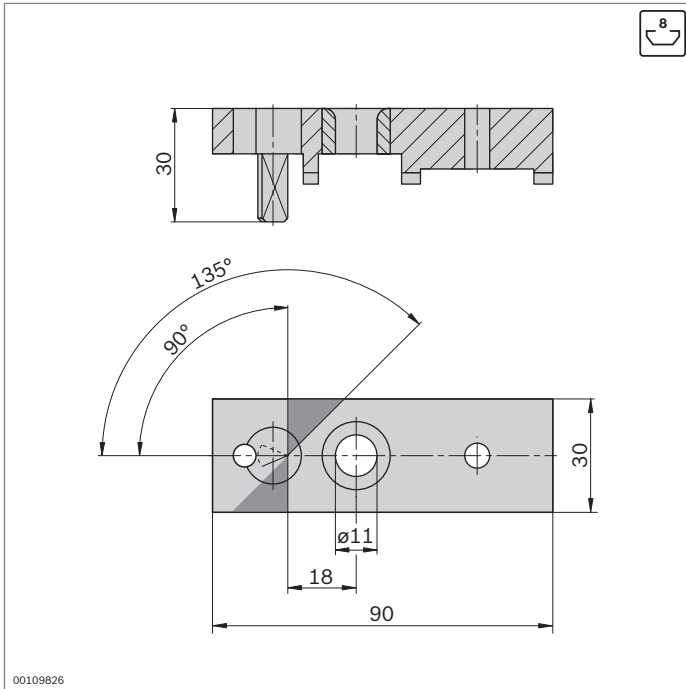
- ▶ For through-holes (\varnothing 9.8) for hexagonal-star socket screwdrivers T50
- ▶ For fastening holes (\varnothing 17) for bolt connectors, quick connectors, and threaded sleeves

Drilling jig	No.	FS
Slot 10 mm, modular dimensions 40, 50	3 842 530 400	FS3

Material: Steel; galvanized

Scope of delivery: Incl. fastening material (FS)



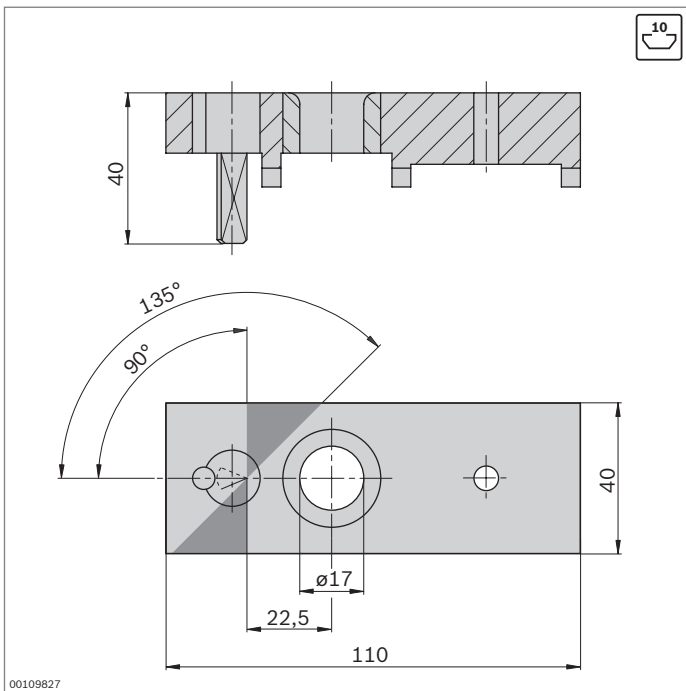
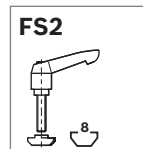


Drilling jig for diagonally sawn profiles – slot 8 mm

- For fastening holes (ø 11) for bendable quick connectors

Drilling jig	No.	FS
Slot 8 mm – diagonally sawn profiles	3 842 516 729	FS2

Material: Aluminum
 Scope of delivery: Incl. fastening material (FS)
 Also see bendable quick connector (p. 3-56)

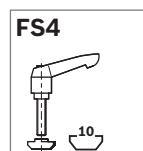


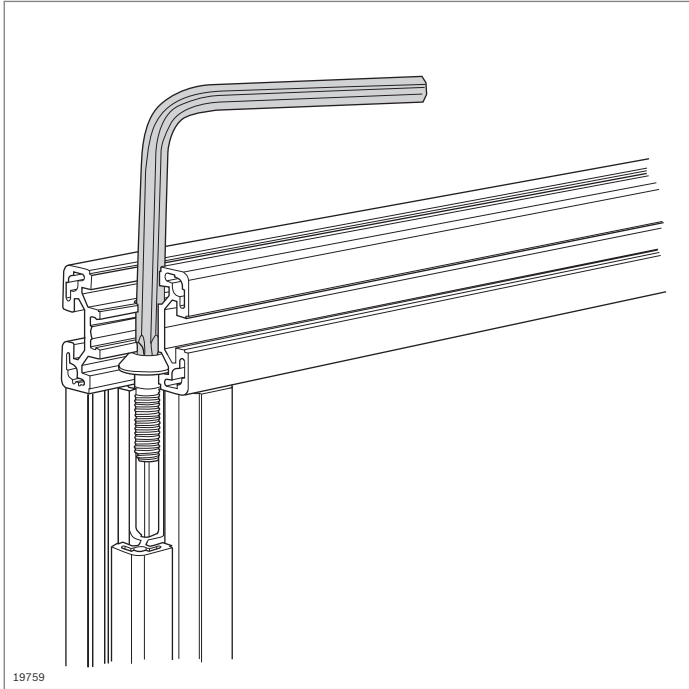
Drilling jig for diagonally sawn profiles – slot 10 mm

- For fastening holes (ø 17) for bendable quick connectors

Drilling jig	No.	FS
Slot 10 mm – diagonally sawn profiles	3 842 516 731	FS4

Material: Aluminum
 Scope of delivery: Incl. fastening material (FS)
 Also see bendable quick connector (p. 3-56)



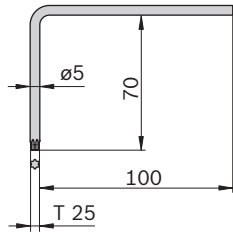


Offset screwdriver Torx®



- ▶ Offset screwdriver for the central bolts (p. 3-40):
 - S6x16-**T25**
 - S8x25-**T40**
 - S12x30-**T50**, M12x30-**T50**
- ▶ Long shank for easy screw head access

T25



00111397

Offset screwdriver T25

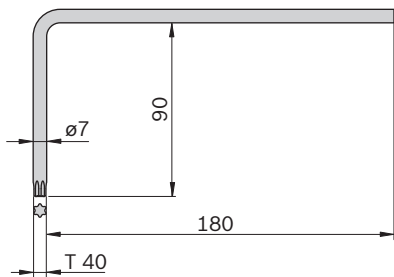


No.

5 **3 842 528 590**

Material: Chrome vanadium steel

T40



00111398

Offset screwdriver T40

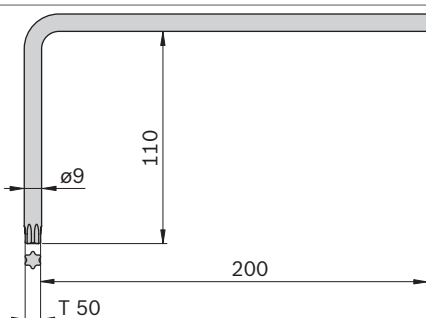


No.

5 **3 842 528 588**

Material: Chrome vanadium steel

T50



00111399

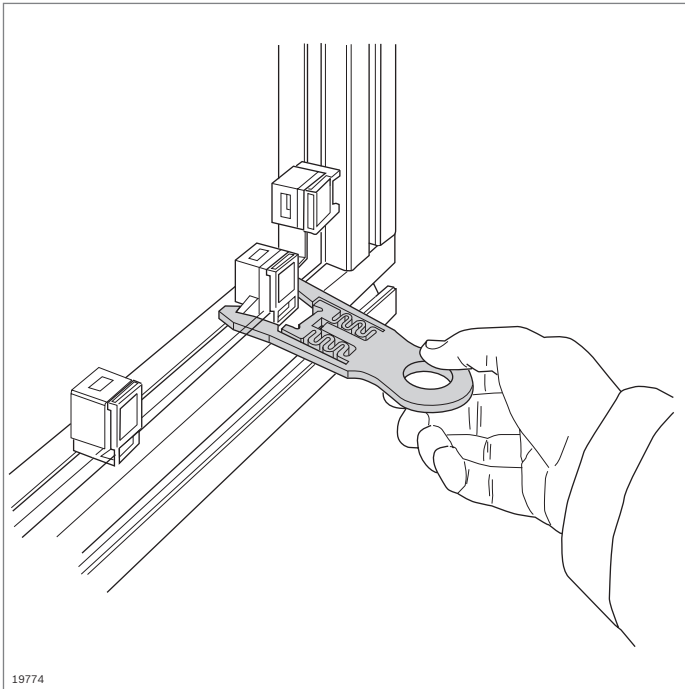
Offset screwdriver T50



No.

5 **3 842 528 586**

Material: Chrome vanadium steel



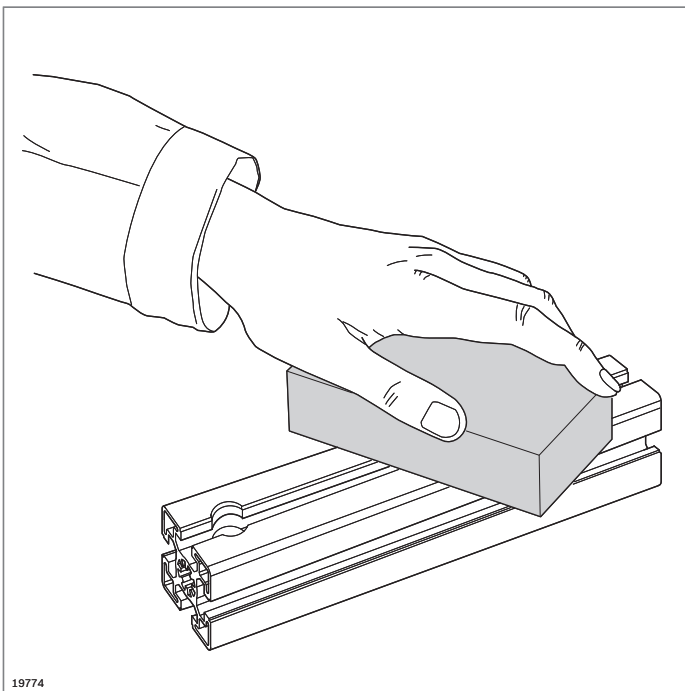
19774

Variofix remover

- ▶ For fast, easy removal of the Variofix snap-in clip (p. 7-6), even in hard-to-reach places
- ▶ The remover is pushed onto the snap-in clip of the Variofix block so that it spreads the teeth of the clip and can then be removed together with the clip

Variofix remover	No.
	10 3 842 526 589

Material: PA

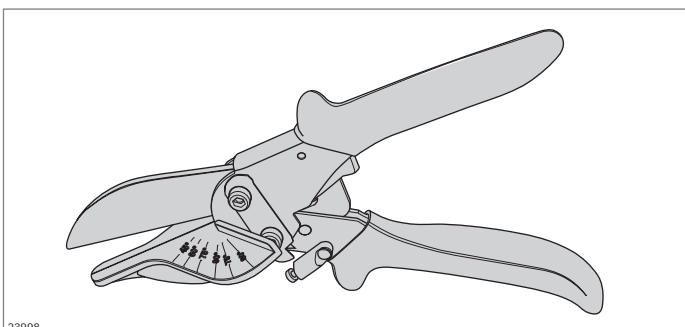


19774

Flexible grinder for anodized surfaces

- ▶ Hand grinder for removing light soiling and minor scratches
- ▶ Handy grindstone made of flexible base material containing abrasive agents
- ▶ Long service life thanks to automatic, continual surface renewal, like an eraser
- ▶ Suitable for all natural-colored, anodized surfaces, e.g. also for aluminum windows and doors

Flexible grinder for anodized surfaces	No.
	3 842 518 650

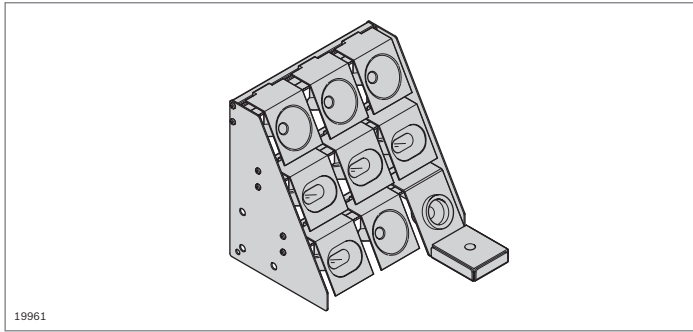
Material: Silicon carbide 60%
Polyurethane 40%

23998

Beveling shears

- ▶ For length-trimming of plastic profiles, e.g. slot cover profiles

Beveling shears	No.
	3 842 547 982

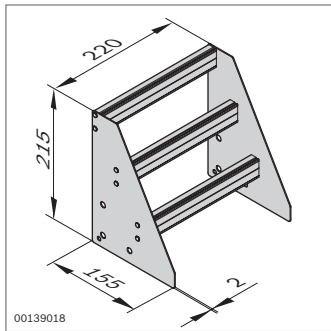


Tool shelf Tool holder



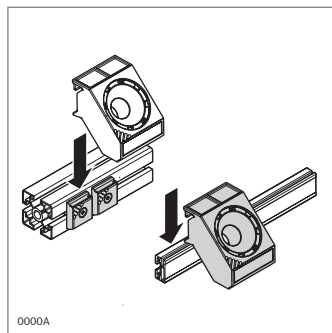
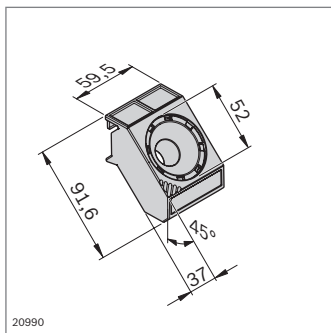
► Tool shelf and tool holder for ergonomic and handy positioning of tools at the workstation

- Tool shelf can be individually equipped
- Accessories: Container mount (p. 2-63)



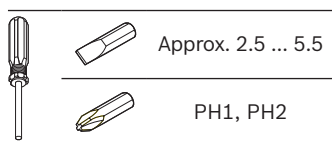
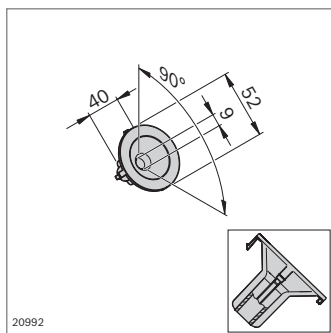
Tool shelf	ESD	No.
		3 842 514 519

Material: Side parts: sheet aluminum
Suspension profile: aluminum, anodized

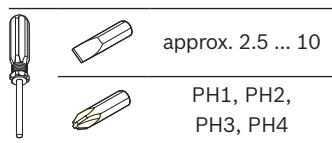
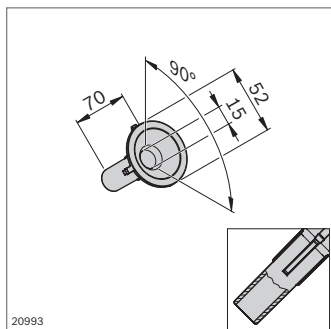


Tool holder D52 for bucket-trays D52-9 and D52-15

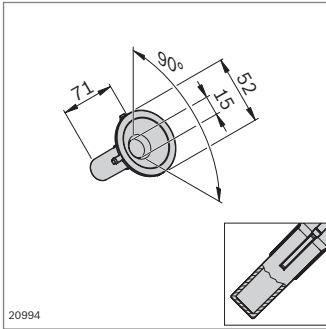
Tool holder D52	ESD	No.
		3 842 544 832



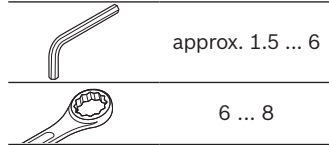
Bucket-tray D52-9 (open base)	ESD	No.
		3 842 544 834



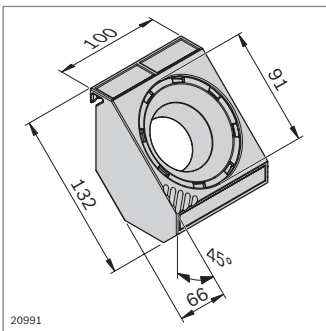
Bucket-tray D52-15 (open base)	ESD	No.
		3 842 544 835



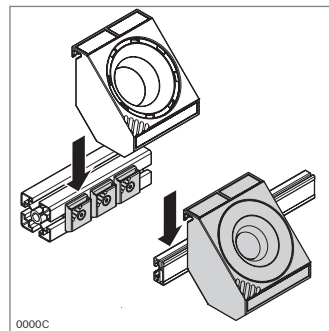
20994



Bucket-tray D52-15 (closed base)	ESD	No.
		3 842 544 836

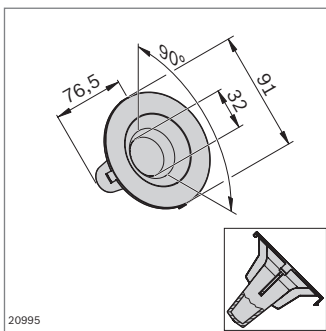


20991

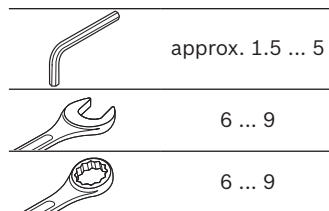


Tool holder D91 for bucket-trays D91-32, D91 Oval53 L100 and D91 Oval53 L136

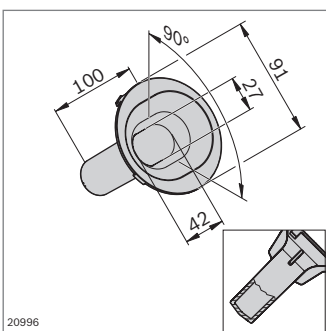
Tool holder D91	ESD	No.
		3 842 544 833



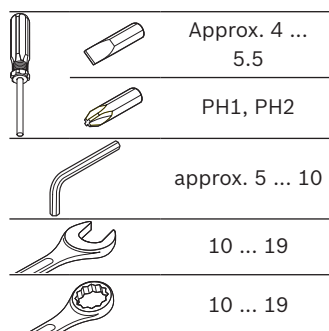
20995



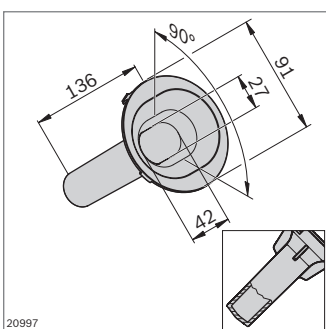
Bucket-tray D91-32 (closed base)	ESD	No.
		3 842 544 837



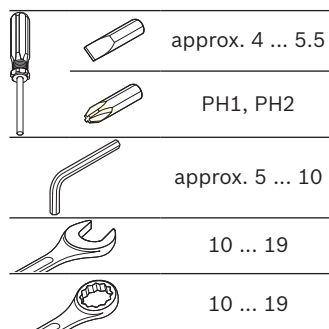
20996



Bucket-tray D91 Oval53 L100 (closed base)	ESD	No.
		3 842 546 744



20997



Bucket-tray D91 Oval53 L136 (closed base)	ESD	No.
		3 842 546 745

FiFo station



Guide rail (p. 15-2)



Adapter (p. 15-3)



Right end cap, small (p. 15-3)



Left end cap, small (p. 15-3)

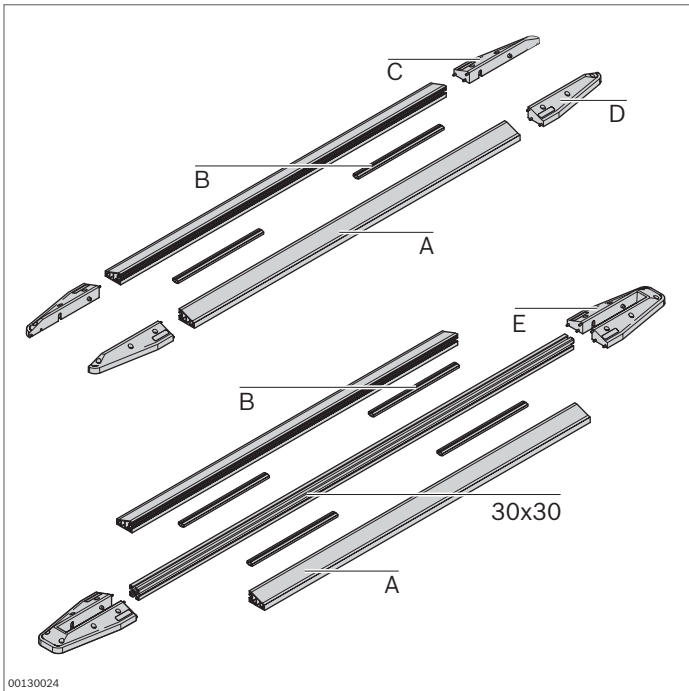


End cap, large (p. 15-3)

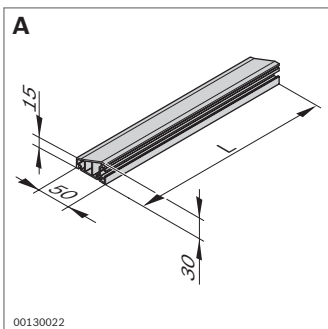


FiFo station

- ▶ Components for constructing a FiFo station for material shuttles
- ▶ Clearly organized and highly transparent production operations through having standardized delivery routes
- ▶ Modular system lets you adapt the layout to your needs and to your available space



00130024

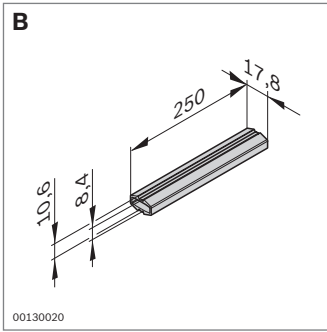


00130022

- ▶ Adhesive strips for fastening to floor
- ▶ Screw fitting to floor possible at end caps

Guide rail	L (mm)	No.	No.
A	1200	10	3 842 540 012
	2400	10	3 842 539 894

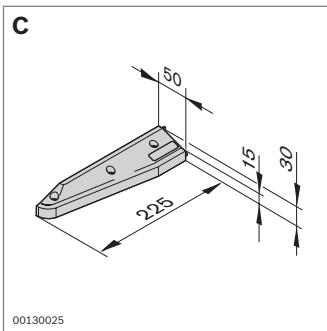
Material: PVC, yellow



- ▶ For the parallel connection of guide rails, or a guide rail with a 30x30 profile

Adapter		No.
B	20	3 842 539 898

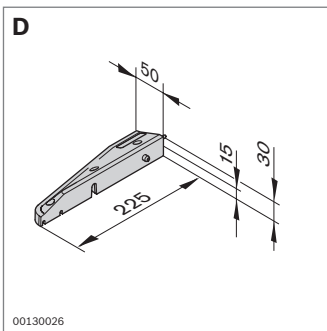
Material: PP



- ▶ For use as a jointing aid and for fastening the guide rails to the floor

Right-hand end cap, small		No.
C	10	3 842 539 895

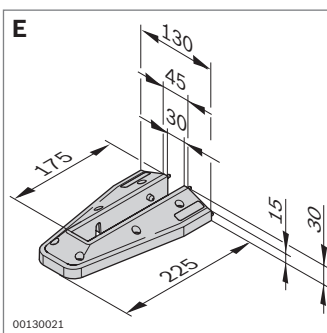
Material: PA 6; black



- ▶ For use as a jointing aid and for fastening the guide rails to the floor

Left-hand end cap, small		No.
D	10	3 842 539 896

Material: PA 6; black



- ▶ For installing a 30x30 profile between two guide rails
- ▶ The 30x30 profile can be used to construct flow rack systems, information boards, and height limits. Since the guide rails are flat-sided, setup can be done using a wide profile (40, 45, 50)

Required accessories:

- ▶ Profile 30x30 (p. 2-19)

End cap, large		No.
E	10	3 842 539 897

Material: PA 6; black

Components for lateral guides



Profile rails, slide rails
(p. 16-3)



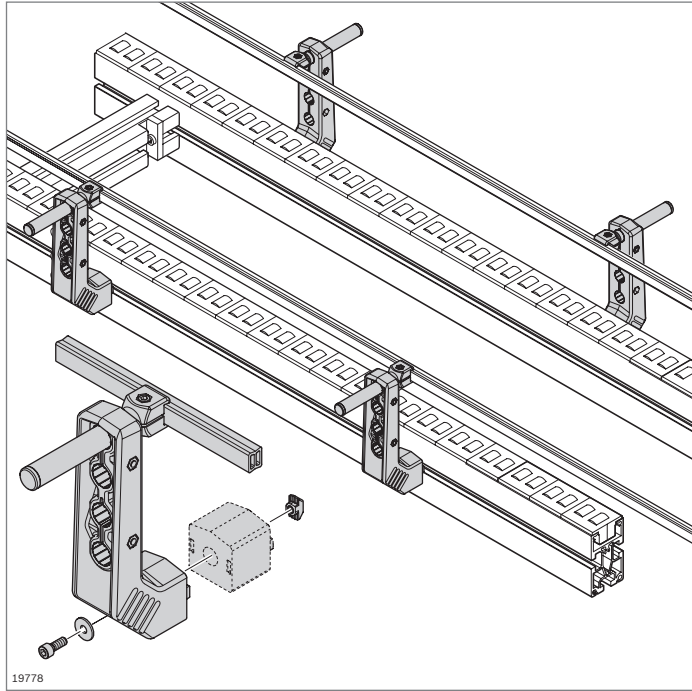
Holder, fixed (p. 16-6)



Holder, variable (p. 16-8)



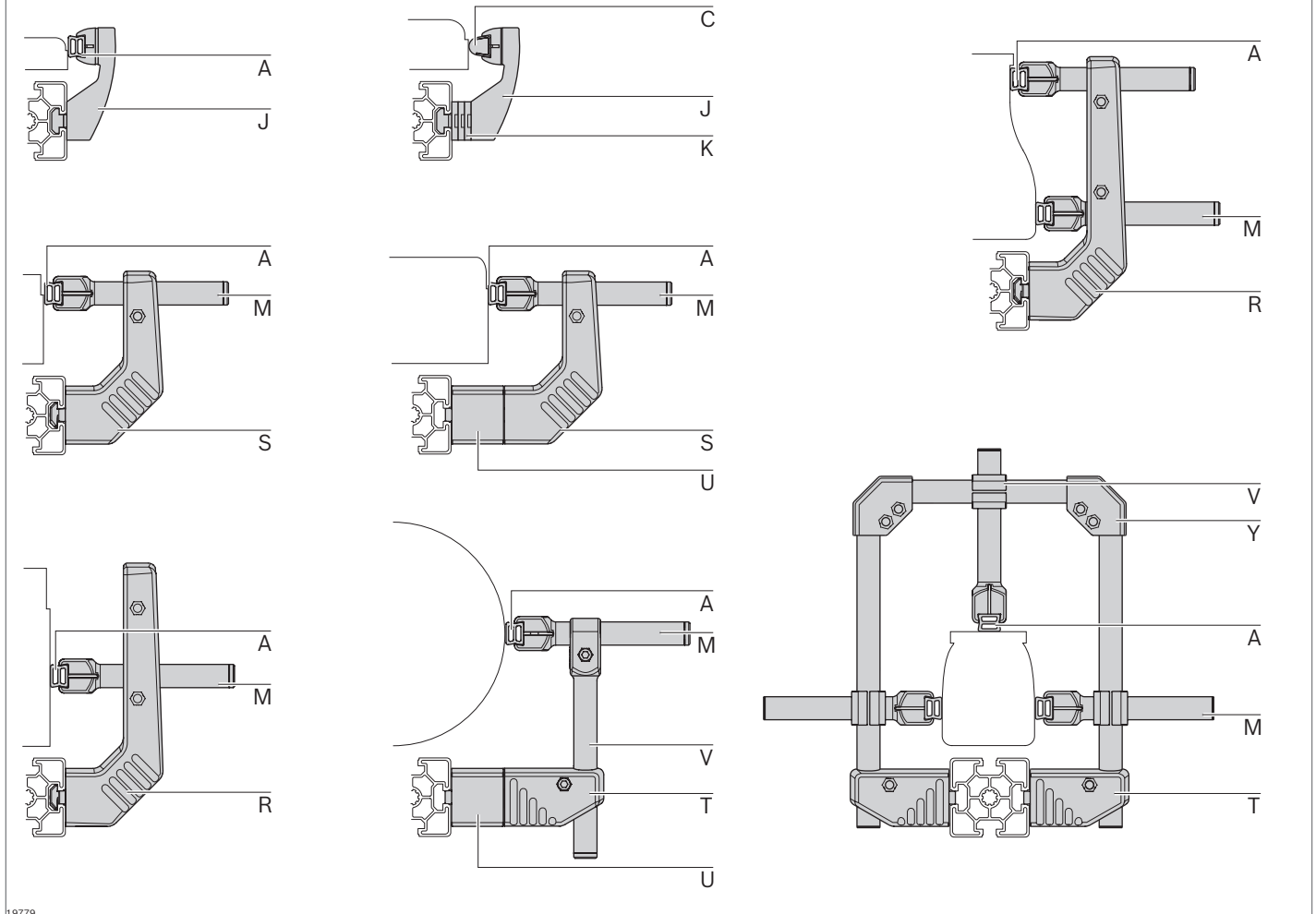
Clamping lever (p. 16-13)

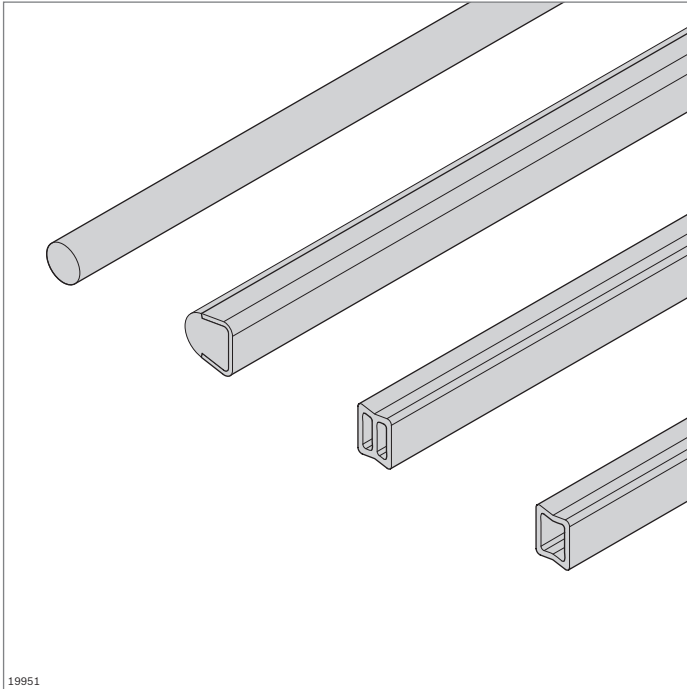


Components for lateral guides

- ▶ Wide variety of profile rail and holder combinations make customized solutions possible
- ▶ Easy to clean
- ▶ Sturdy
- ▶ Only one tool required for adjustment
- ▶ 10 mm slot interface

Mounting variants

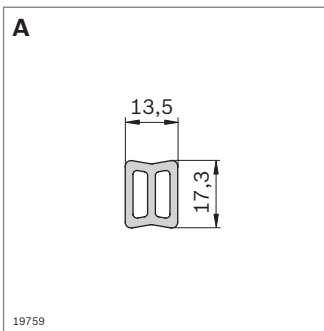




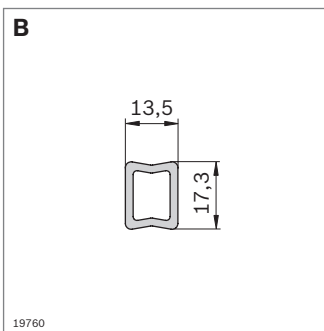
19951

Profile rails for lateral guides

- ▶ Profile rails for lateral guiding of the transported material
- ▶ Suitable for fixed lateral guide holders (p. 16-6), and variable lateral guide holders (p. 16-8)
- ▶ Various materials and geometries for different applications



19759



19760

- ▶ Aluminum profile rail for robust lateral guides

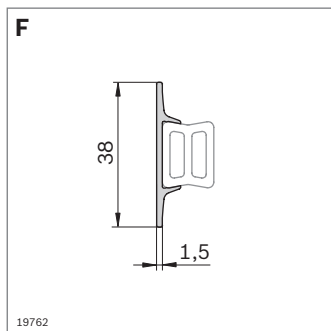
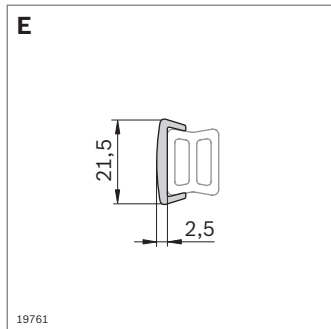
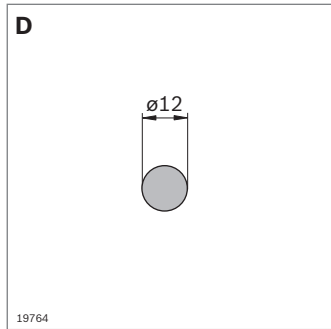
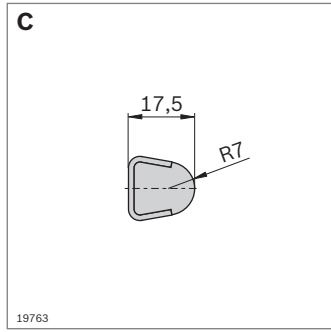
Profile rail, aluminum	L (mm)	No.
1 pc	200 ... 3000	3 842 993 887 / L
20 pcs	3000	3 842 538 829

Material: Aluminum, natural, anodized
 Accessories: Narrow slide rail (E); high slide rail (F); outer profile connector (G); inner profile connector (H); cover cap (I); clamping holder C L100 (M); holder (J); clamping head (L); clamping head (O)

- ▶ HDPE profile rail for light applications
- ▶ Bendable

Profile rail HDPE	L (mm)	No.
1 pc	3000	3 842 538 388

Material: HDPE, gray
 Accessories: Narrow slide rail (E); high slide rail (F); outer profile connector (G); inner profile connector (H); cover cap (I); clamping holder C L100 (M); holder (J); clamping head (L); clamping head (O)



- ▶ Profile rail 17x17.5, robust stainless steel version with PE guide for gentle product handling

Profile rail 17x17.5		L (mm)	No.
1 pc		200 ... 3000	3 842 994 863 / L
20 pcs		3000	3 842 529 850

Material: Steel, stainless / PE, natural
 Accessories: Outer profile connector (**G**); clamping holder C L100 (**M**); holder (**J**); clamping head (**L**); clamping head (**O**)

- ▶ Profile rail D12, robust stainless steel version

Profile rail D12		L (mm)	No.
1 pc		200 ... 3000	3 842 993 306 / L
6 pcs		3000	3 842 533 841

Material: Steel; stainless
 Accessories: Clamping holder D12 L100 (**N**)

- ▶ Slide rail for clipping on to aluminum or HDPE profile rail
- ▶ For gentle product conveying and minimum wear of the HDPE profile rail

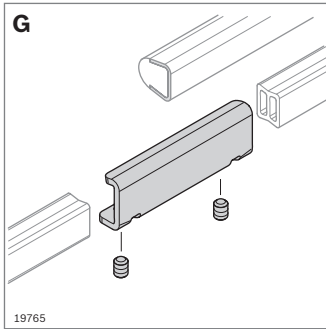
Slide rail, narrow	L (mm)	ESD	No.
	3000		3 842 538 209
	3000		3 842 539 340

Material: HDPE, gray
 ESD: PE-UHMW, conductive, black



- ▶ Slide rail for clipping on to aluminum or HDPE profile rail
- ▶ Wide guiding surface
- ▶ For gentle product conveying and minimum wear of the HDPE profile rail

Slide rail, high	L (mm)	No.
	3000	3 842 538 389

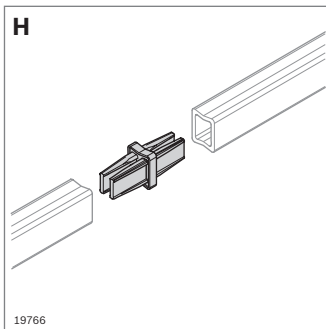
Material: HDPE, gray




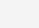
- ▶ Outer profile connector for aluminum profile rails **(A)**, HDPE profile rail **(B)**, 17x17.5 profile rail **(C)**

Outer profile connector		No.	
	10	3 842 539 613	

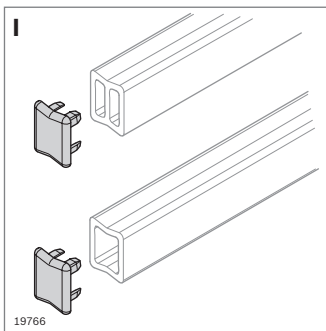
Material: Steel; stainless
 Scope of delivery: Incl. 2 x grub screws





- ▶ Inner profile connector for aluminum profile rail **(A)**, HDPE profile rail **(B)**

Inner profile connector		No.	
	10	3 842 539 345	

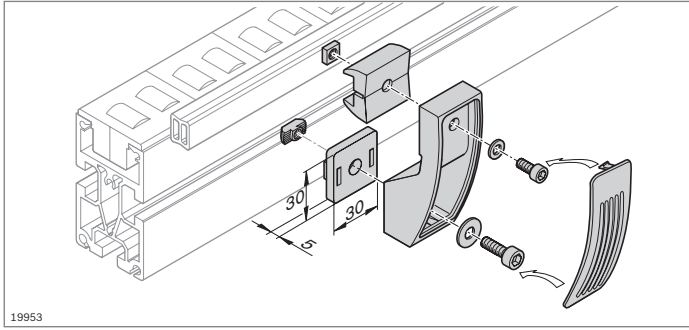
Material: PA, black; conductive



- ▶ Cover cap for aluminum profile rail **(A)**, HDPE profile rail **(B)**

Cover cap		No.	
	10	3 842 538 208	

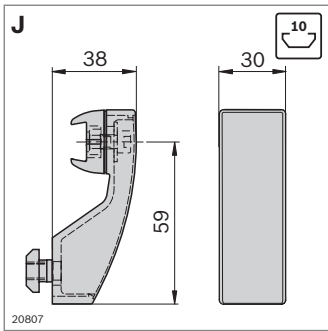
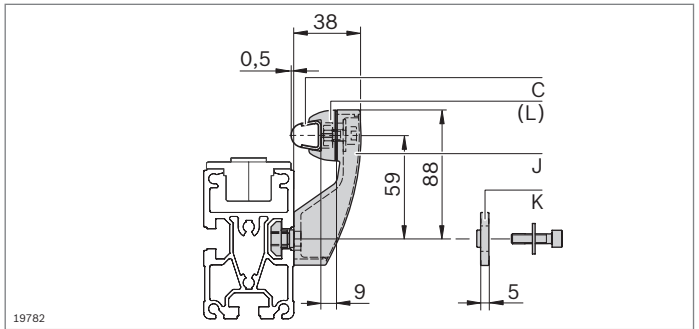
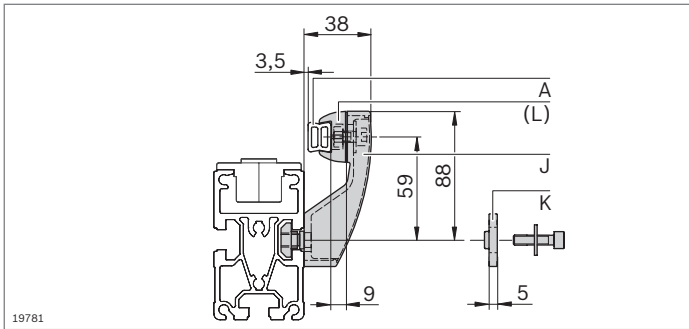
Material: PA, black; conductive



Lateral guide holder, fixed



- Holder for lateral guides of fixed installation height and fixed guide width



FS1	ISO4762
	M8x16
	DIN 125
	A 8,4

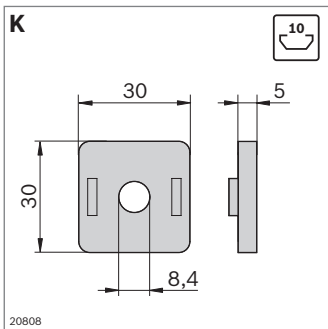
- Holder, fixed, for aluminum profile rail (A), HDPE profile rail (B) and 17x17.5 profile rail (C)
- For fixed guide width
- Guide width increased through use of spacer plate (K)

Holder, fixed	No.	FS
Set	3 842 527 851	FS1

Material: PA, black

Fastening material: steel; galvanized

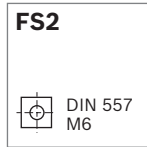
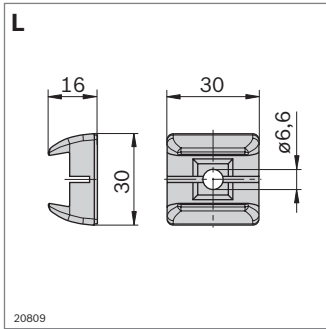
Scope of delivery: Incl. clamping head, fastening material (FS)




- Spacer plate for fixed holders, for increasing guide width

Spacer plate	No.
10	3 842 527 738

Material: PA; black



- Clamping head for on-site construction of supports for protruding transported material

Clamping head		No.	FS
Set	10	3 842 536 295	FS2

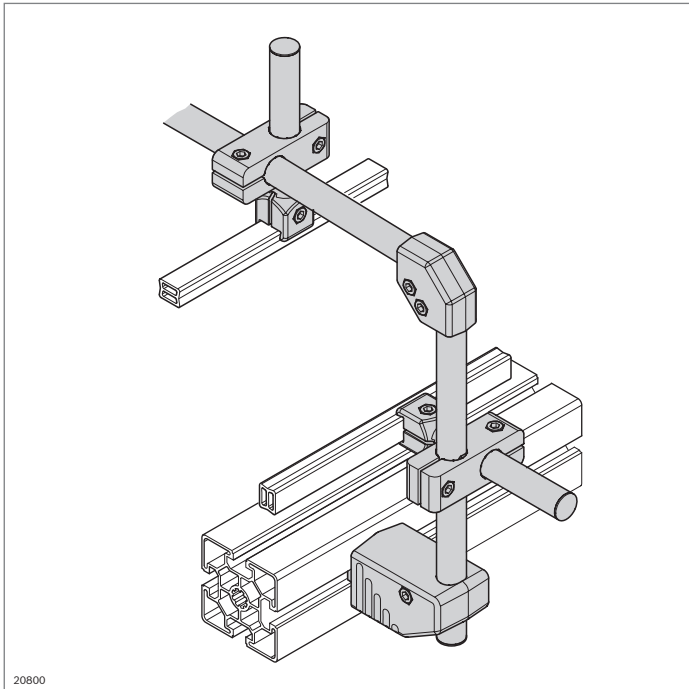
Material: PA, black
 Fastening material: steel; galvanized
 Scope of delivery: Incl. fastening material (FS)

Lateral guide holder, variable



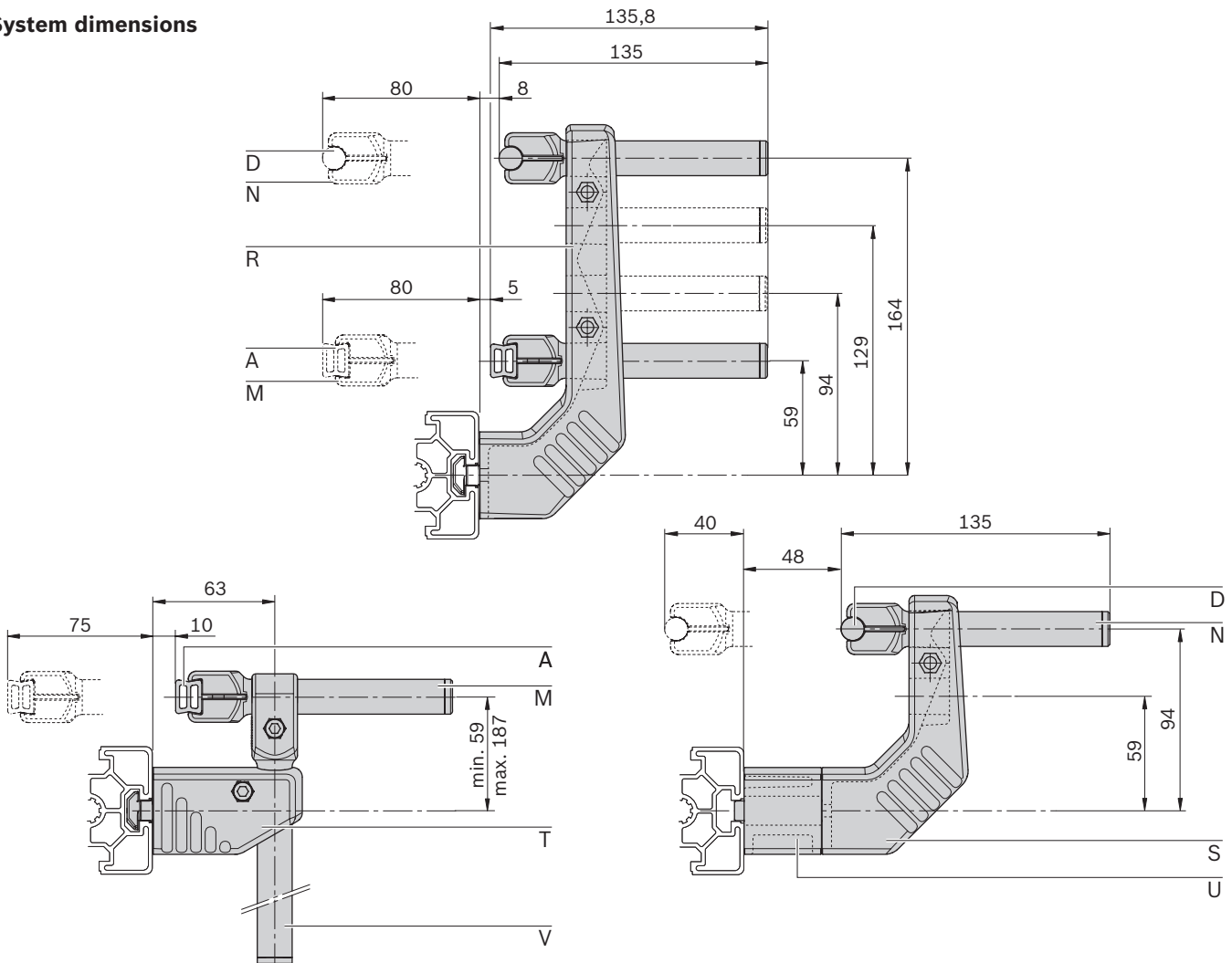
- ▶ Holders and clamping holders make variable adjustment of the guide height and width possible
- ▶ Easy to clean

Note: For stability in the direction of rotation, at least 2 holders must be connected with a continuous profile rail.

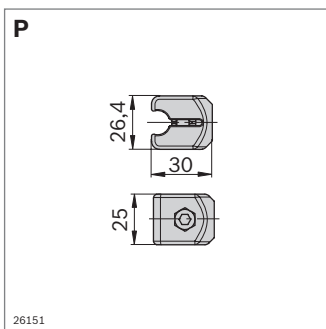
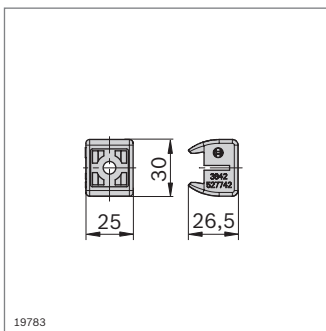
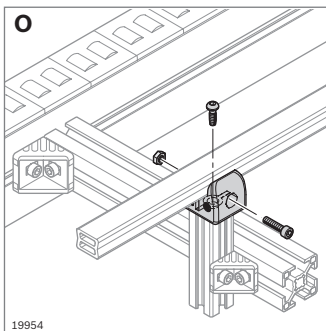
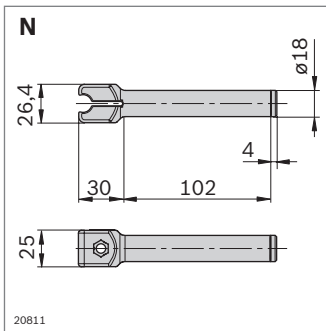
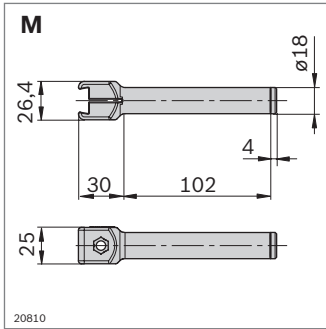


20800

System dimensions



19780



- ▶ Clamping holder C L100 for supporting aluminum (A), HDPE (B) or 17x17.5 (C) profile rails
- ▶ Scaling in mm and inches for simple alignment

Clamping holder C L100		No.	
	10	3 842 539 499	

Material: Clamping holder: PA; black
Nut, bolt: steel; stainless

Accessories: Plug (X)

- ▶ Clamping holder D12 for supporting profile rails D12 (D)
- ▶ Scaling in mm and inches for simple alignment

Clamping holder D12 L100		No.	
	10	3 842 539 498	

Material: Clamping holder: PA; black
Nut, bolt: steel; stainless

Accessories: Plug (Z)

- ▶ Clamping head for supporting aluminum (A), HDPE (B) profile rails, or stainless steel profile rails with PE guide (C)
- ▶ Direct mounting on profiles with 10 mm slot

Clamping head		No.	FS
Set	10	3 842 528 009	FS1

Material: Clamping holder: PA, black
Fastening material: steel; galvanized

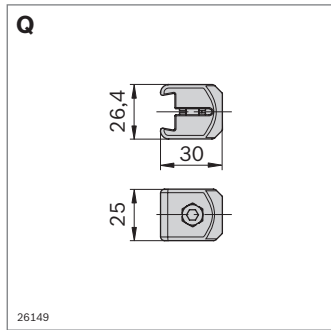
Scope of delivery: Incl. fastening material (FS)

- ▶ Clamping holder D12 for supporting profile rails D12 (D)
- ▶ In conjunction with tube 18 (W) for constructing longer clamping holders

Clamping holder D12		No.	
P	10	3 842 547 227	

Material: Clamping holder: PA; black
Nut, bolt: steel; stainless

Accessories: Plug (Z), tube D18 (W)

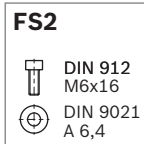
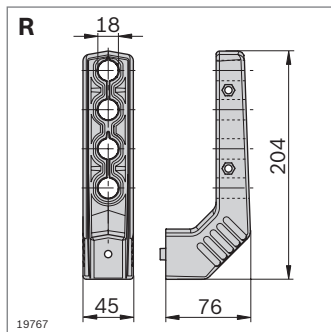


- ▶ Clamping holder C for supporting aluminum (A), HDPE (B) or 17x17.5 (C) profile rails
- ▶ In conjunction with tube 18 (W) for constructing longer clamping holders

Clamping holder C	No.
N	10 3 842 547 228

Material: Clamping holder: PA; black
Nut, bolt: steel; stainless

Accessories: Plug (Z), tube D18 (W)



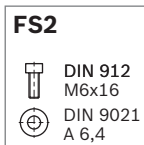
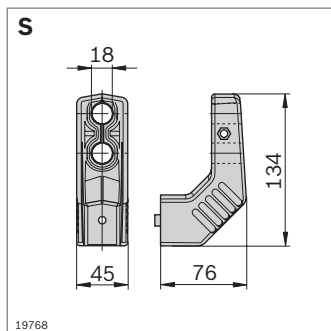
- ▶ Holder for fastening clamping holders C L100 (M) or D12 L100 (N)
- ▶ Various installation heights possible for clamping holders
- ▶ Variable guide widths possible
- ▶ Use spacer (S) for added enlargement of guide width (U)

Holder L204	No.	FS
Set	3 842 539 494	FS2

Material: PA, black
Fastening material: steel; stainless

Scope of delivery: Incl. fastening material (FS)

Accessories: T-nut M6, 10 mm slot (p. 3-4)
Spacer (U)



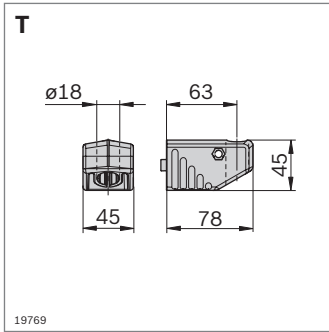
- ▶ Holder for fastening clamping holders C L100 (M) or D12 L100 (N)
- ▶ Various installation heights possible for clamping holders
- ▶ Variable guide widths possible
- ▶ Use spacer (S) for added enlargement of guide width (U)

Holder L134	No.	FS
Set	3 842 539 495	FS2

Material: PA, black
Fastening material: steel; stainless

Scope of delivery: Incl. fastening material (FS)

Accessories: T-nut M6, 10 mm slot (p. 3-4)
Spacer (U)



FS2

DIN 912
M6x16

DIN 9021
A 6,4

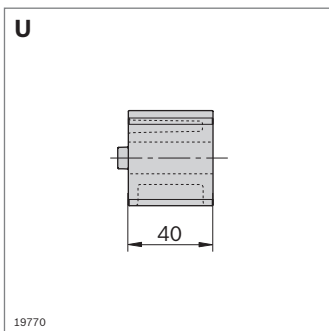
- ▶ Holder L45 for fastening vertical clamping holders or tube D18 (**W**)
- ▶ For infinitely height-adjustable lateral guides
- ▶ Guide width increased by using the spacer (**U**)

Holder L45		No.	FS
Set	10	3 842 539 496	FS2

Material: PA, black
Fastening material: steel; stainless

Scope of delivery: incl. fastening material (FS)

Accessories: T-nut M6, 10 mm slot (p. 3-4)
Spacer (**U**)



FS3

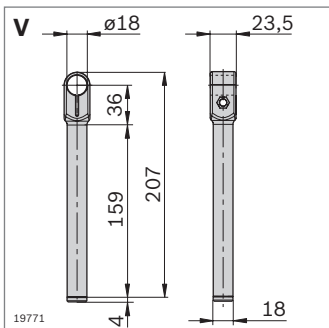
DIN 912
M6x55

DIN 9021
-A6,4

Spacer		No.	FS
Set	10	3 842 539 497	FS3

Material: PA, black
Fastening material: steel; stainless

Scope of delivery: Incl. fastening material (FS)

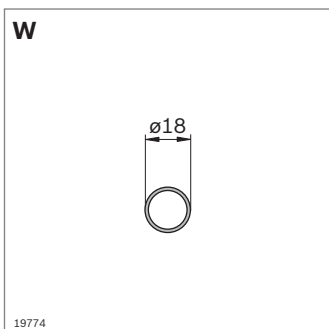


- ▶ Vertical clamping holder for constructing height-adjustable guides

Vertical clamping holder D18 L160		No.
	10	3 842 539 500

Material: PA, black
Nut, screw: steel; stainless

Accessories: Plug (**Z**)

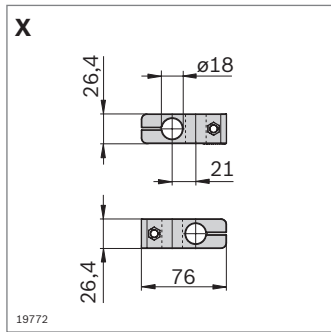


- ▶ Tube D18 for the construction of height-adjustable vertical holders or cross members for upper guides

Tube D18	L (mm)	No.
	3000	3 842 539 339

Material: Stainless steel

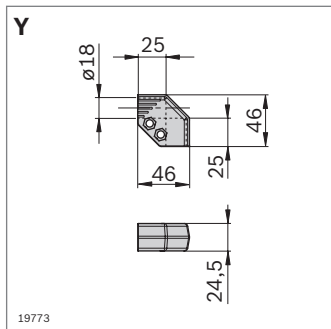
Accessories: Plug (**Z**)



- ▶ Crosspiece for intersecting, perpendicular connections of tubes D18 (**W**) and clamping holders C L100 (**M**) or D12 L100 (**N**)

Crosspiece		No.
	10	3 842 539 501

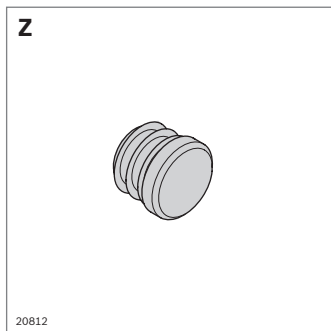
Material: Crosspiece: PA, black
Nut, screw: steel; stainless



- ▶ Corner piece for end-to-end, perpendicular connections of tubes D18 (**W**) and clamping holders C L100 (**M**) or D12 L100 (**N**)

Corner piece		No.
	10	3 842 539 505

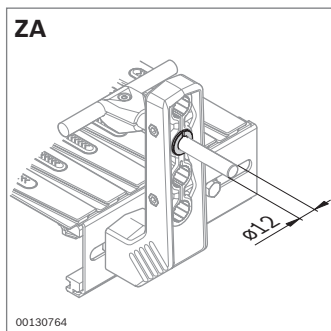
Material: Corner piece: PA, black
Nut, screw: steel; stainless



- ▶ Plug for sealing clamping holder C L100, (**M**), clamping holder D12 L100 (**N**), vertical clamping holder D18 L160 (**V**) or tube D18 (**W**)

Plug		No.
	10	3 842 539 826

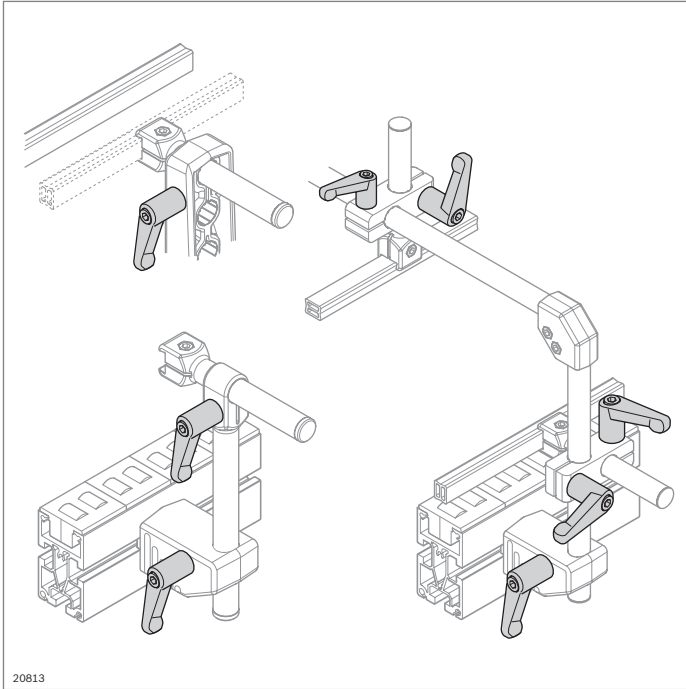
Material: PA; black



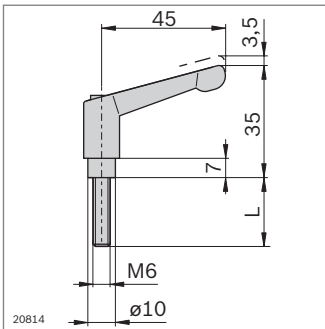
- ▶ Reducing adapter for accommodating round profiles $\varnothing 12$ in D18 mountings

Reduction piece		No.
	20	3 842 539 344

Material: PA; black



20813



20814

Clamping lever

- ▶ For easy adjustment of lateral guide holders
- ▶ Clamping lever M6x25 for crosspiece
- ▶ Clamping lever M6x40 for holder

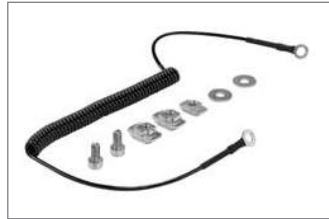
Clamping lever	L (mm)	No.
M6x25	25	3 842 528 540
M6x40	40	3 842 528 539

Material: Lever: diecast zinc; black plastic coated
Screws: steel, galvanized and black chrome-plated

Components for ESD applications



Set of grounding components (p. 17-2)



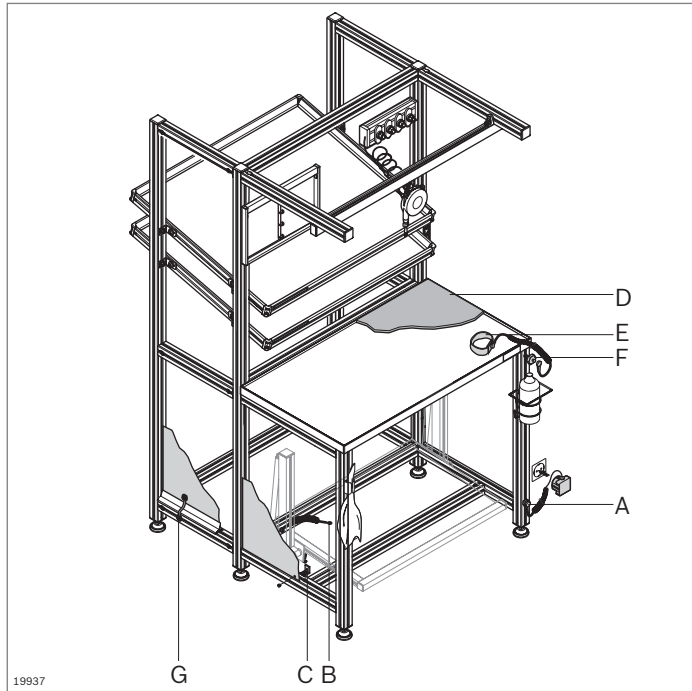
Grounding cable (p. 17-2)



Potential fix (p. 17-3)



Wrist band, connection piece (p. 17-3)



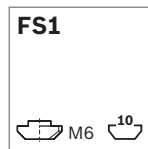
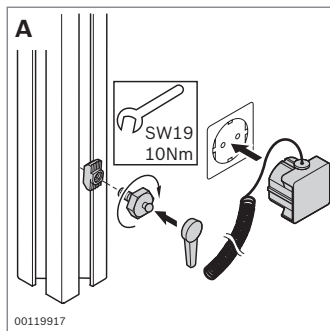
Components for ESD applications



ESD – Electro Static Discharge

Components which, due to their electrical properties and inner structure, are damaged or destroyed by static discharge also cause economic losses running into millions of euros each year.

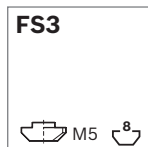
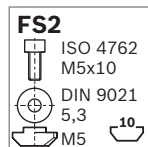
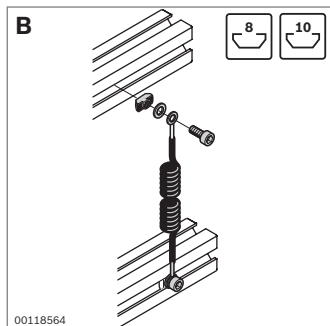
You can use Rexroth components for ESD applications to protect your products from this type of damage. Look for the ESD mark when selecting products (⚡).



- Set of grounding components for defined grounding of ESD workstations
- Conduction resistance $R_A = 1 \times 10^6 \Omega$ (DIN EN 61340-5-1)

Accessories:

Damping ring or damping plate for insulation from conductive floors makes defined conduction possible (p. 6-4, 6-6)



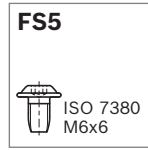
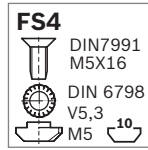
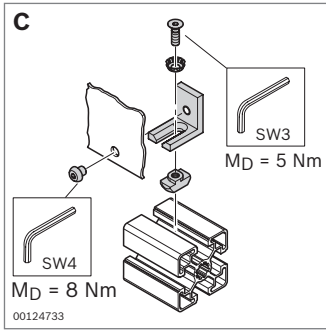
- Grounding cable to create defined conductive paths between strut profiles in order to protect ESD-sensitive components

Set of grounding components	ESD No.	FS
A	⚡ 3 842 522 087	FS1

Material: Fastening material: steel; galvanized
Scope of delivery: Incl. fastening material (FS)

Grounding cable	ESD No.	FS
B	⚡ 3 842 519 465	2xFS2, FS3

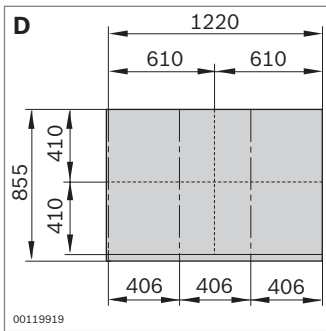
Material: Fastening material: steel; galvanized
Scope of delivery: Incl. fastening material (FS)



- ▶ Potential fix for defined grounding of surface elements such as side panels

Potential fix	ESD	No.	FS
C		3 842 536 320	FS4, FS5

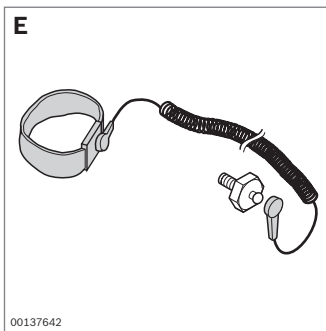
Material: Bracket: aluminum
Fastening material: steel; galvanized
Scope of delivery: Incl. fastening material (FS)



- ▶ ESD mat insert for protecting ESD-sensitive components
- ▶ To create a safe, conductive connection, e.g. to ESD material shelves, we recommend using adhesive copper tape
- ▶ Conduction resistance $R_A = 1 \times 10^6 - 1 \times 10^9 \Omega$ according to DIN EN 61340-5-1

ESD mat insert	ESD	No.
D 1220 mm x 855 mm		3 842 522 012

Material: Rubber (thickness: 2 mm)



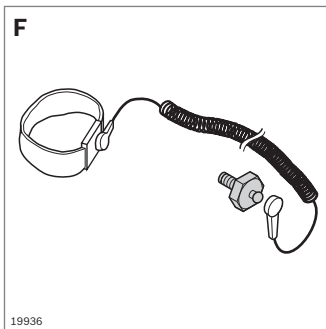
- ▶ Wrist band for defined grounding of people and protection of ESD-sensitive components

Accessories, required:

- ▶ connection piece
- ▶ T-nut M6, or sliding block, swivel-in with spring, M6

Wrist band	ESD	No.
E		3 842 516 908

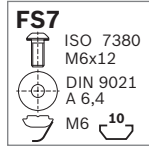
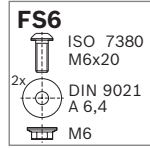
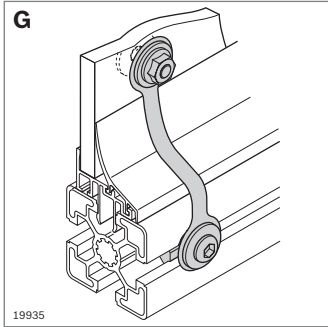
Material: Textile with woven-in conductive plastic, navy blue



- ▶ Connection piece for connecting the wrist band to the profile construction

Connection piece	ESD	No.
F		3 842 516 905

Material: Steel; galvanized



- Potential equalizer for creating electrostatic conduction between surface elements and strut profiles

Potential equalizer	ESD	No.	FS
G		10	3 842 536 148 FS6, FS7

Material: Strip steel, stainless
Fastening material: steel; galvanized
Scope of delivery: Incl. fastening material (FS)

Proximity switches and switch brackets



SH 1/S (p. 18-2)



SH 1/U (p. 18-3)



SH 2/S, SH 2/ST (p. 18-4)



SH 2/S-H (p. 18-5)



SH 2/U (p. 18-7)



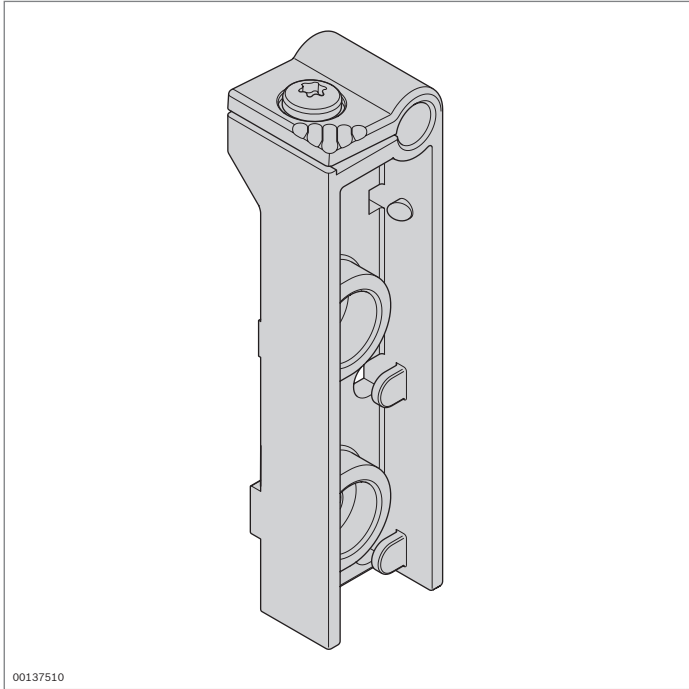
SH 2/U-H (p. 18-7)



Proximity switch (p. 18-8)



Stop (p. 18-10)



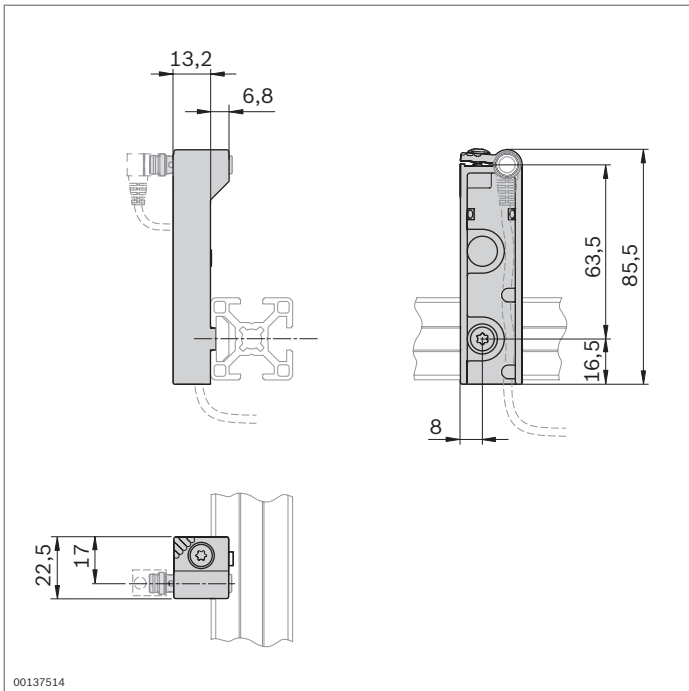
00137510

Switch bracket SH 1/S



► For fastening a proximity switch Ø 6.5 mm

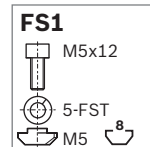
Accessories, required:
proximity switch Ø 6.5 mm (p. 18-8)

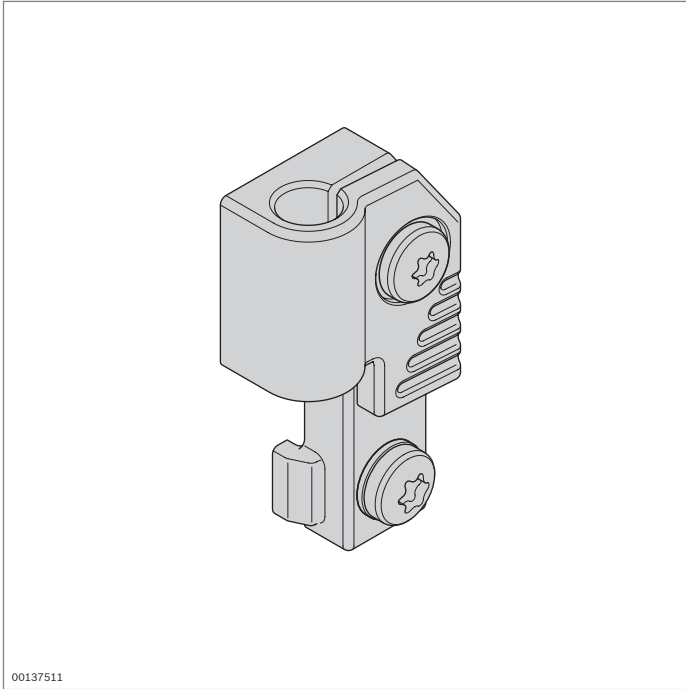


00137514

Switch bracket	ESD	No.	FS
SH 1/S		3 842 542 556	FS1

Material: SH 1/S: PE 6.6, black
Fastening material: steel; galvanized
Scope of delivery: Incl. fastening material (FS)





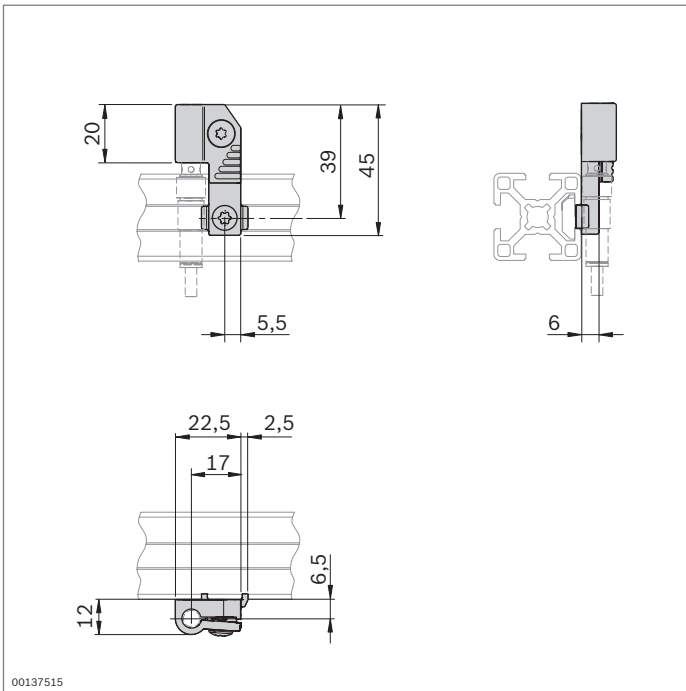
00137511

Switch bracket SH 1/U



► For fastening a proximity switch Ø 6.5 mm

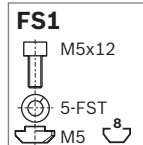
Accessories, required:
proximity switch Ø 6.5 mm (p. 18-8)

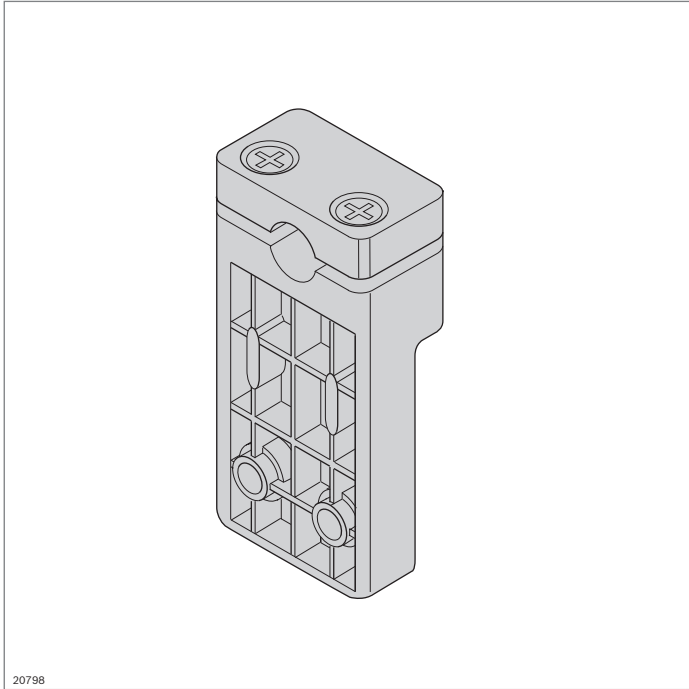


00137515

Switch bracket	ESD No.	FS
SH 1/U	3 842 542 555	FS1

Material: SH 1/U: PE 6.6, black
Fastening material: steel; galvanized
Scope of delivery: Incl. fastening material (FS)



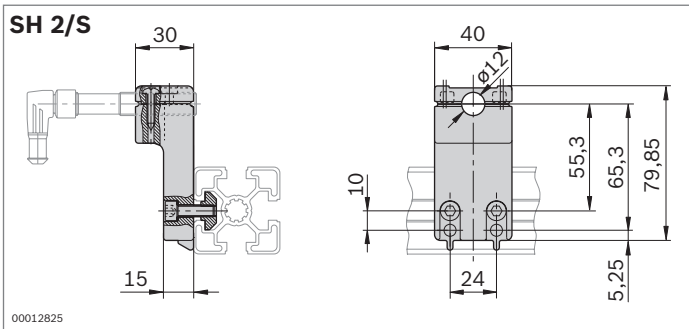


Switch bracket SH 2/S, SH 2/ST



- For fastening a proximity switch M12x50
- SH 2/ST: switch cover to protect switches and cables

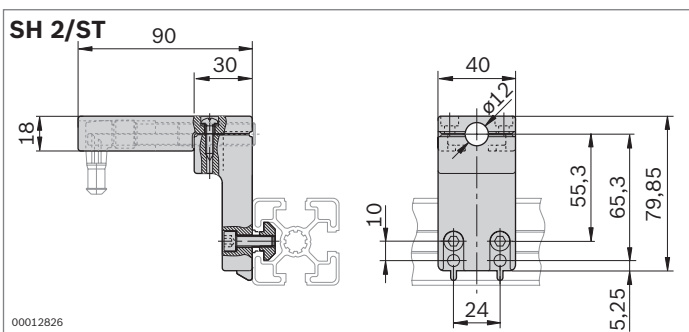
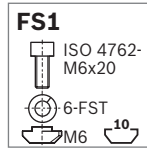
Accessories, required:
proximity switch M12x50 (p. 18-9)



Switch bracket	No.	FS
SH 2/S	3 842 168 830	2xFS1

Material: Housing: PA6, black
Switch cover (30 mm): PA6, black
Fastening material: steel; galvanized

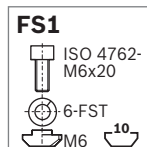
Scope of delivery: Incl. fastening material (FS)

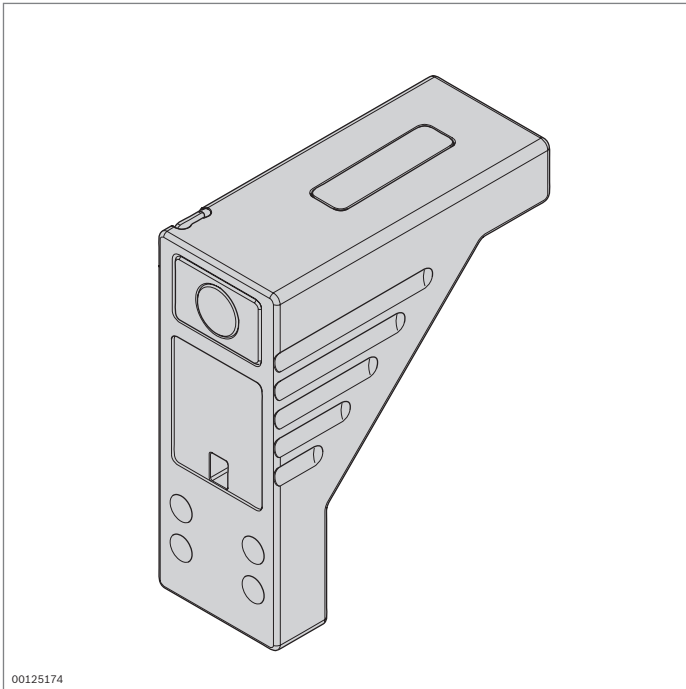


Switch bracket	No.	FS
SH 2/ST	3 842 168 850	2xFS1

Material: Housing: PA6, black
Switch cover (90 mm): ABS, transparent
Fastening material: steel; galvanized

Scope of delivery: Incl. fastening material (FS)





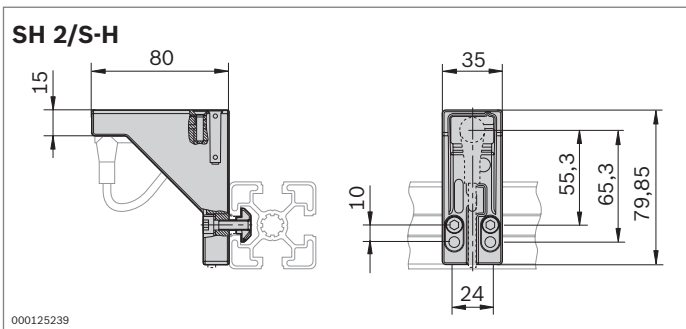
00125174

Switch bracket SH 2/S-H



- ▶ For fastening a proximity switch M12x50
- ▶ Especially sturdy metal version
- ▶ Able to bear loads of up to 100 kg
- ▶ Centering lugs for pre-positioning and fast assembly in the profile slot
- ▶ Integrated stop for 12 mm sensor
- ▶ Integrated cable guide

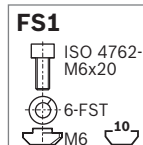
Accessories, required:
proximity switch M12x50 (p. 18-9)

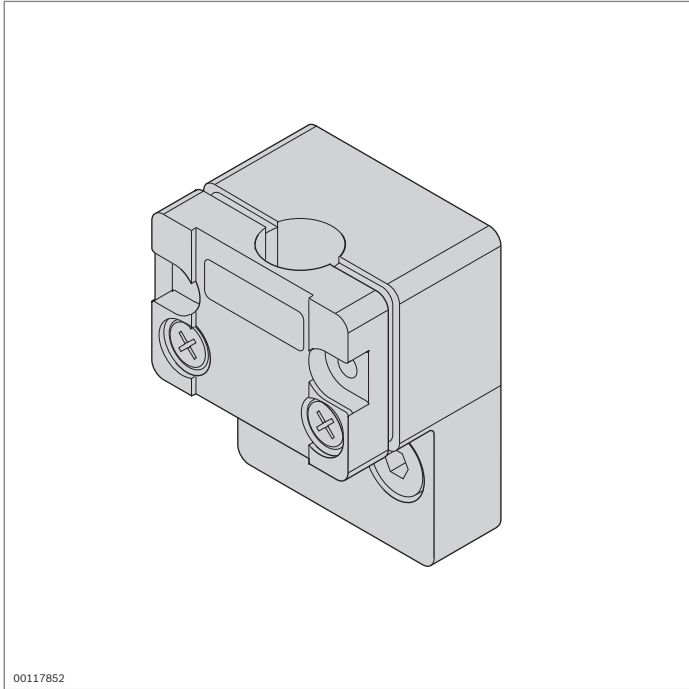


000125239

Switch bracket	No.	FS
SH 2/S-H	3 842 537 280	2xFS1

Material: SH 2/S-H: diecast aluminum
Fastening material: steel; galvanized
Scope of delivery: Incl. fastening material (FS)





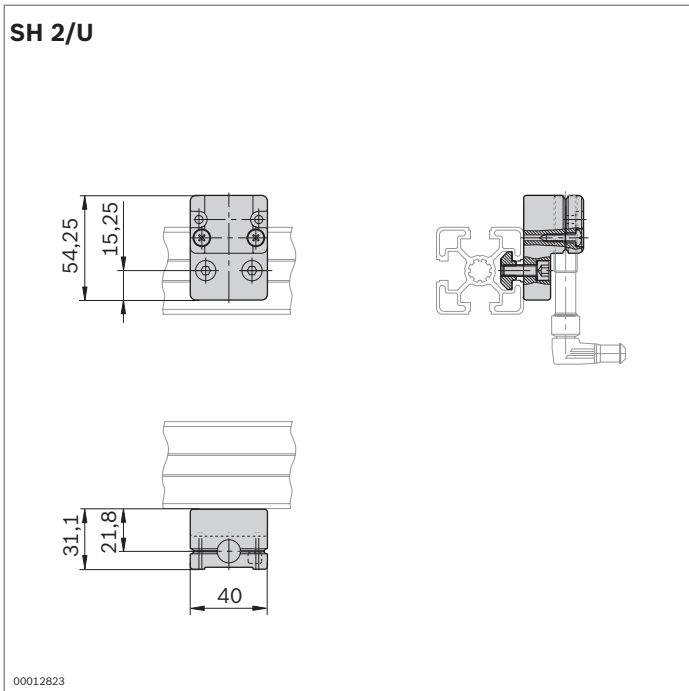
Switch bracket SH 2/U



► For fastening a proximity switch M12x50

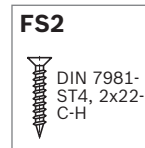
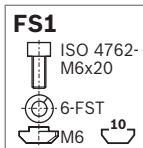
Accessories, required:
proximity switch M12x50 (p. 18-9)

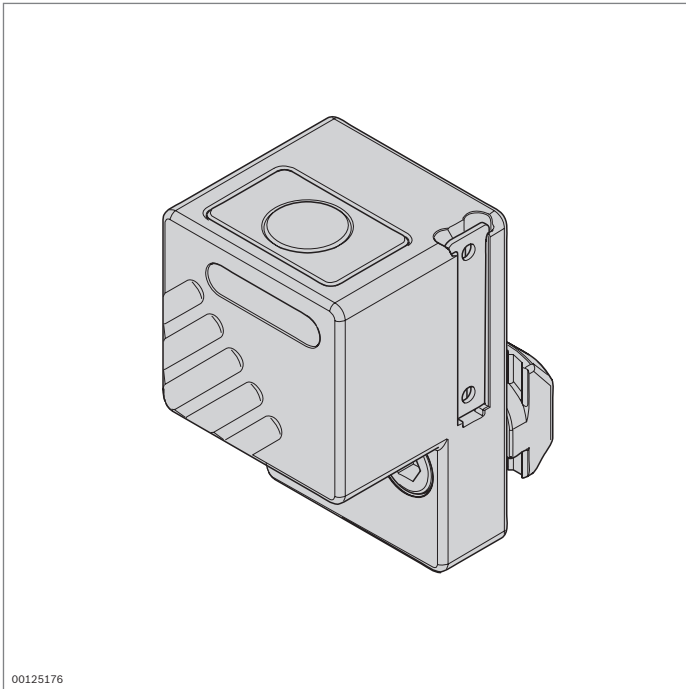
SH 2/U



Switch bracket	No.	FS
SH 2/U	3 842 168 820	2xFS1, 2xFS2

Material: SH 2/U: PA6 granulate, black
Fastening material: steel; galvanized
Scope of delivery: Incl. fastening material (FS)





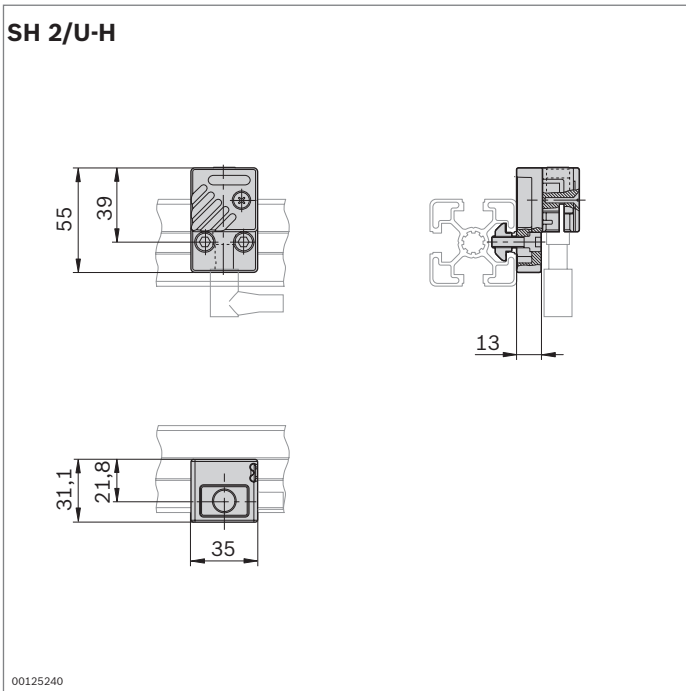
00125176

Switch bracket SH 2/U-H



- ▶ For fastening a proximity switch M12x50
- ▶ Especially sturdy metal version
- ▶ Able to bear loads of up to 100 kg
- ▶ Centering lugs for pre-positioning and fast assembly in the profile slot
- ▶ Integrated stop for 12 mm sensor

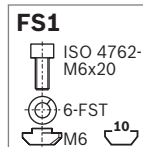
Accessories, required:
proximity switch M12x50 (p. 18-9)

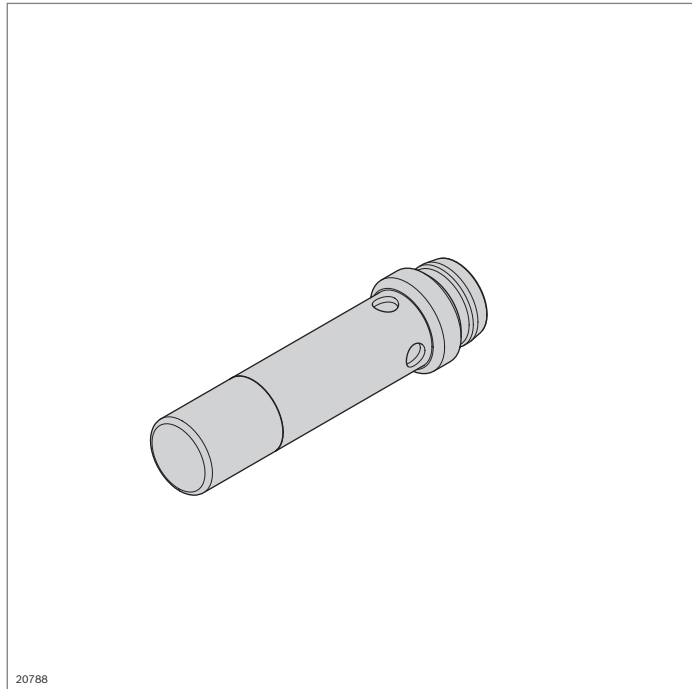


00125240

Switch bracket	No.	FS
SH 2/U-H	3 842 537 289	2xFS1

Material: SH 2/U-H: diecast aluminum
Fastening material: steel; galvanized
Scope of delivery: Incl. fastening material (FS)

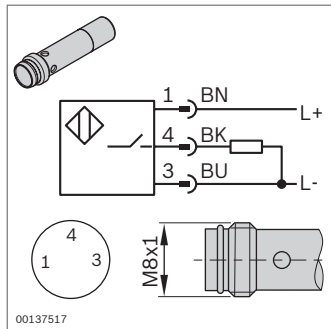




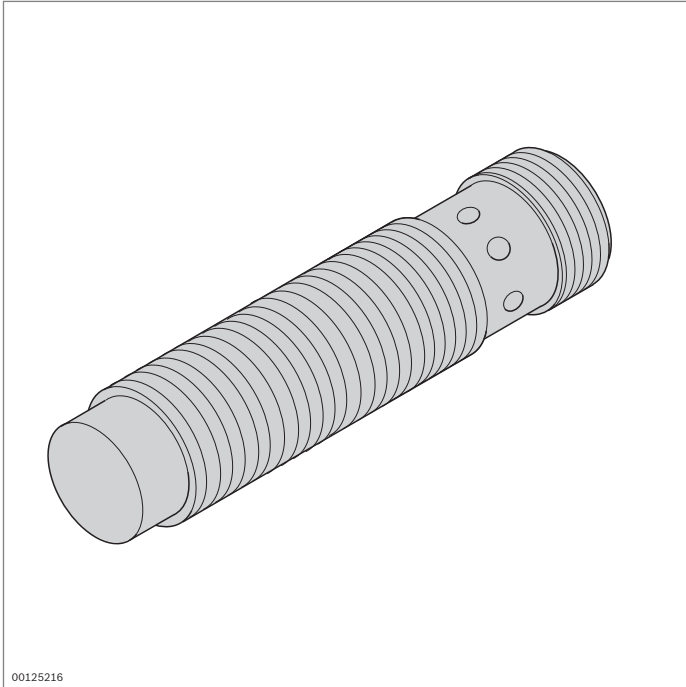
Proximity switch Ø6.5 x 30 mm, inductive

- ▶ For installation in switch bracket SH 1/...
- ▶ Design:
 - PNP contact
 - Optical LED function display
 - Compact length of 30 mm; Ø 6.5 mm
 - M8 plug connection
 - Switch distance $S_N = 4$ mm
 - Operating voltage: 0 ... 30 V
 - Switching frequency 1500 Hz
 - Operating current 200 mA
 - Protection class IP 67
 - Ambient temperature: -20 to 70 °C

Accessories, required:
switch bracket SH 1/... (p. 18-2f)

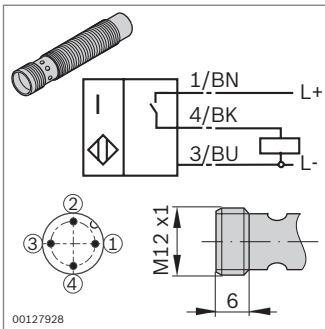


Proximity switch	No.
Ø 6.5 x 30 mm	3 842 542 500
Material:	Brass, nickel-plated



Proximity switch M12x50, inductive

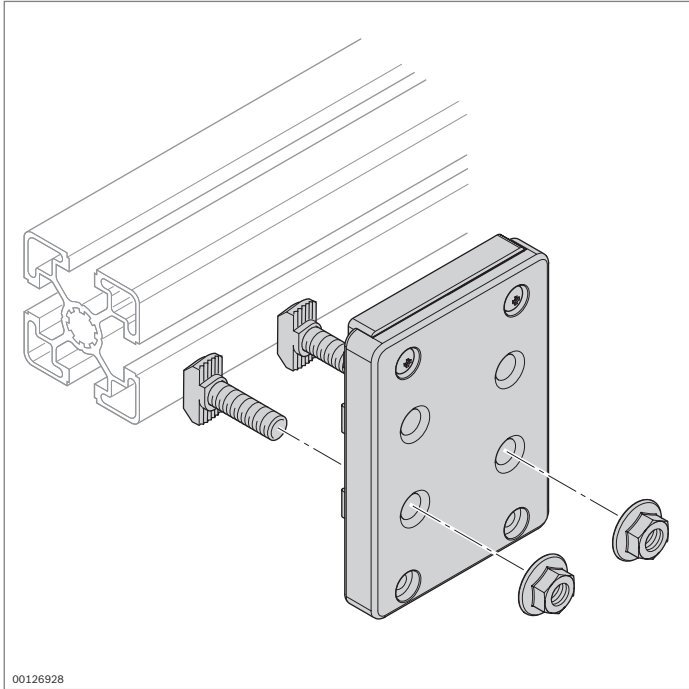
- ▶ For installation in switch bracket SH2/...
- ▶ Design:
 - PNP contact according to IEC/EN 60947-5-2-2004
 - Connection via V1 plug (M12)
 - Resistant to media such as test oil and test fuel
 - Optical LED function display
 - Gold-plated contacts
 - Compact length of 50 mm
 - Metal thread M12x1
 - Switch distance $S_N = 7$ mm
 - Operating voltage: 0 ... 30 V
 - Switching frequency: 300 Hz
 - Operating current: 150 mA
 - No-load current: max. 15 mA
 - Protection class: IP 67
 - Ambient temperature: -25 to 70 °C



Accessories, required:

switch bracket SH 2/... (p. 18-4ff)

Proximity switch	No.
M12 x 50 mm	3 842 537 995
Material:	Brass, nickel-plated

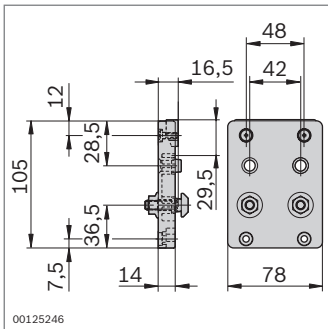


00126928

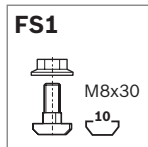
Stop



- ▶ Can be mounted on profiles with 10 mm slot
- ▶ Centering aid can be broken off for flexible installation



00125246



Stop	ESD No.	FS
	3 842 519 717	2xFS1

Material: Stop: PA6
Fastening material: steel; galvanized

Scope of delivery: Incl. fastening material (FS)

Technical data

Technical data for strut profiles

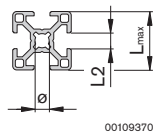
EN AW – Al MgSi (AW-6063-T66)		Material designation according to DIN EN 573 for Rexroth strut profiles
EN AW – 6060 (AW-6063-T66)		Material number according to DIN EN 573
R_m	= 245 N/mm ² (= 35,530 lb./in. ²)	Minimum tensile strength (in direction of pressure)
$R_{p0,2}$	= 195 N/mm ² (= 28,280 lb./in. ²)	0.2% proof stress (in direction of pressure)
A_5 A_{10}	= 10% = 8%	Ductile yield A_5 or A_{10}
E	= 70000 N/mm ² (= 10x10 ⁶ lb./in. ²)	Modulus of elasticity E
75 HB		Brinell hardness
$\alpha_{(-50...+20\text{ °C})}$	= 21.8 x 10 ⁻⁶ 1/K = 12.1 x 10 ⁻⁶ in/in/°F	Longitudinal expansion coefficient
$\alpha_{(+20...100\text{ °C})}$	= 23.4 x 10 ⁻⁶ 1/K = 13.0 x 10 ⁻⁶ in/in/°F	

μ = 0.34 Poisson's ratio

E6/EV1 - 12 μm - 300 HV Anodizing process – layer thickness – layer hardness
(R204-(.0003 in-300HV))

L_{max} 11-20 22.5-30 40 45-60 Permitted dimensional tolerance t (mm) for profiles from different deliveries
t ≥ 0.15 ≥ 0.2 +0.6 ≥ 0.3

L_{max} 80 90 120 160
t +0.8 ≥ 0.4 +1.0 +1.6

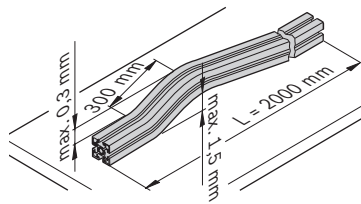


L_{max} 180 270 360
t ≥ 0.6 ≥ 1.0 ≥ 1.5

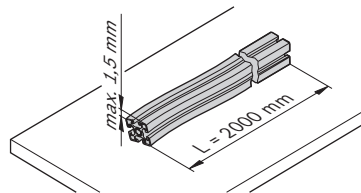
L2 6 8 10
t +0.3 +0.3 +0.4

Ø 5.5 7.3 10 15
t -0.1 -0.1 ≥ 0.15 ≥ 0.15
+0.2 +0.2

Deviation limits and form tolerances according to DIN EN 12020-2
Rexroth profiles generally fall well within the generally applicable tolerances specified in the standard. They are specifically defined for the individual products.

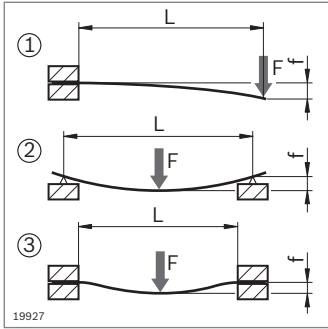


Longitudinal straightness tolerance of profile



Longitudinal torsional tolerance of profile

Profile deflection



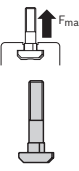
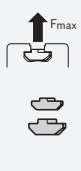
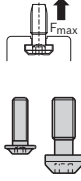

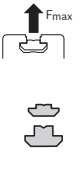

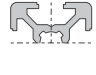

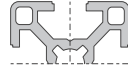

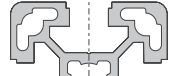
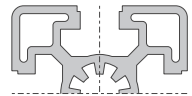

Metric (mm)	U.S. Equivalent (in)	
$f_{①} = \frac{F \times L^3}{3 E \times I \times 10^4}$	$f_{①} = \frac{FL^3}{3 E I}$	Profile deflection due to force F for static load cases ①②③
$f_{②} = \frac{F \times L^3}{48 E \times I \times 10^4}$	$f_{②} = \frac{FL^3}{48 E I}$	
$f_{③} = \frac{F \times L^3}{192 E \times I \times 10^4}$	$f_{③} = \frac{FL^3}{192 E I}$	
$f_{①} = \frac{m' \times g \times L^4}{8 E \times I \times 10^4}$	$f_{①} = \frac{FL^3}{8 E I}$	Profile deflection due to the profile's own weight
$f_{②} = \frac{5 \times m' \times g \times L^4}{384 E \times I \times 10^4}$	$f_{②} = \frac{5 FL^3}{348 E I}$	
$f_{③} = \frac{m' \times g \times L^4}{384 E \times I \times 10^4}$	$f_{③} = \frac{FL^3}{384 E I}$	
$\sigma_{①} = \frac{(m' \times g \times L + F) \times L}{W \times 10^3}$	$\sigma_{①} = \frac{FL}{W}$	Control of max. occurring bending stress $\sigma_{b \max}$
$\sigma_{②} = \frac{(m' \times g \times L + F) \times L}{4 W \times 10^3}$	$\sigma_{②} = \frac{FL}{4 W}$	
$\sigma_{③} = \frac{(m' \times g \times L + F) \times L}{8 W \times 10^3}$	$\sigma_{③} = \frac{FL}{8 W}$	
$\sigma_{b \max} < \sigma_{b \text{ zul.}}!$ $\sigma_{b \text{ zul.}} = \frac{R_{p0,2}}{S_{F \text{ erf.}}}$	$\sigma_{\max} < 200 \text{ N/mm}^2$ σ_{\max} = maximum allowable bending stress = 28,000 lb/in ²	$S_{F \text{ req.}}$: Safety value required to avoid deformation (flow) $\sigma_{b \text{ zul.}}$: Max. permissible bending stress

f (mm) (in)
 F (N) (lb)
 L (mm) (in)
 I (cm⁴) (in⁴)

W (cm³) (in³)
 E = 70,000 N/mm² (= 10x10⁶ lb/in²)
 m' (kg/mm); m' = m/1000; m (p. 2-4 ... 2-7)
 g = 9.81 m/s² ≈ 10 m/s²

Profile slot load-bearing capacity

Static load limit values of slot (beginning of plastic deformation) **for connectors with the largest thread in each case**





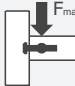
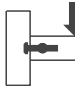
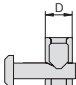
			 T-bolt	 T-nut	 Central bolt	 Sliding block, swivel-in	 Sliding block
		20x20, 20x20R 10x40 20x40, 20x60 20x40x40	1700 N (382 lbs)	1700 N (382 lbs)	2000 N (450 lbs)	–	3000 N (674 lbs)
		30x30, 30x30R 30x30°, 30x45°, 30x60° 11x20, 15x120 30x45, 30x60, 30x60x60 30x90, 30x120	4000 N (899 lbs)	4000 N (899 lbs)	5000 N (1124 lbs)	2200 N (495 lbs)	6000 N (1349 lbs)
		90x90SL 40x40L, 40x40L R 40x30°, 40x45°, 40x60° 40x80L, 40x120L, 40x160L 40x80x80L 80x80L 80x120L, 80x160L 45x45L, 45x45L R 45x30°, 45x45°, 45x60° 15x22,5 , 15x180, 22,5x45 45x90L, 45x90x90L 50x50L, 50x50L R 50x100L , 50x150L 100x100L ,100x200L 60x60L	6000 N (1349 lbs)	6000 N (1349 lbs)	9000 N (2023 lbs)	8000 N (1798 lbs)	11000 N (2473 lbs)
		45x45 60x60 90x90L 22,5x180 45x60 45x90 , 45x180 90x180L	12000 N (2698 lbs)	12000 N (2698 lbs)	15000 N (3372 lbs)	13000 N (2922 lbs)	17000 N (3822 lbs)
		45x270 60x90 90x90 90x180 90x360	18000 N (4046 lbs)	18000 N (4046 lbs)	22000 N (4946 lbs)	18000 N (4046 lbs)	24000 N (5395 lbs)

Load-bearing capacity of profile connection



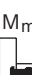

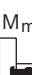



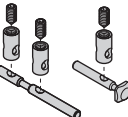
The stated tightening and loading limit values were determined as an example in (dry) trials. You must take account of legal safety factors and building regulations as

well as those corresponding to accepted engineering practices!

Static load limit values of the connection (beginning of plastic deformation)

  	D	Slot		 F_{max}	 M_{max}
	8	6 / 6	\curvearrowright 2.5 Nm (22 lb-in)	450 N (101 lbs)	18 Nm (159 lb-in)
	11	8 / 8	\curvearrowright 12 Nm (106 lb-in)	500 N (112 lbs)	40 Nm (354 lb-in)
	11	8 / 10	\curvearrowright 12 Nm (106 lb-in)	2000 N (450 lbs)	70 Nm (619 lb-in)
	17	10 / 10	\curvearrowright 25 Nm (221 lb-in)	4000 N (899 lbs)	140 Nm (1239 lb-in)
	9.8	10 / 10	\curvearrowright 6 Nm (53 lb-in)	800 N (180 lbs)	50 Nm (443 lb-in)

Quick connector (p. 3-53)

 	Slot		 F_{max}	 M_{max}	 M_{max}	 F_{max}	 M_{max}	
	30x30	8	\curvearrowright 12 Nm (106 lb-in)	1100 N (247 lbs)	35 Nm (310 lb-in)	24 Nm (212 lb-in)	650 N (146 lbs)	40 Nm (354 lb-in)
	40x40L	10	\curvearrowright 25 Nm (221 lb-in)	1500 N (337 lbs)	110 Nm (974 lb-in)	100 Nm (885 lb-in)	1000 N (225 lbs)	80 Nm (708 lb-in)
	45x45L	10	\curvearrowright 25 Nm (221 lb-in)	1500 N (337 lbs)	120 Nm (1062 lb-in)	110 Nm (974 lb-in)	1000 N (225 lbs)	95 Nm (841 lb-in)
	45x45	10	\curvearrowright 25 Nm (221 lb-in)	1500 N (337 lbs)	140 Nm (1239 lb-in)	145 Nm (1283 lb-in)	1100 N (247 lbs)	180 Nm (1593 lb-in)
	50x50L	10	\curvearrowright 25 Nm (221 lb-in)	1500 N (337 lbs)	150 Nm (1328 lb-in)	160 Nm (1416 lb-in)	1100 N (247 lbs)	180 Nm (1593 lb-in)


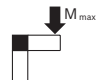
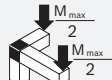
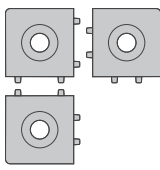
Quick connector, bendable (p. 3-56)

		Slot				
	ø11, L=30	8	6 Nm (53 lb-in)	2500 N (562 lbs)	60 Nm (531 lb-in)	20 Nm (177 lb-in)
	ø17, L=40	10	25 Nm (221 lb-in)	4000 N (899 lbs)	180 Nm (1593 lb-in)	40 Nm (354 lb-in)
	ø17, L=45	10	25 Nm (221 lb-in)	4000 N (899 lbs)	180 Nm (1593 lb-in)	60 Nm (531 lb-in)
	ø17, L=50	10	25 Nm (221 lb-in)	4000 N (899 lbs)	200 Nm (1770 lb-in)	65 Nm (575 lb-in)
	ø17, L=60	10	25 Nm (221 lb-in)	4000 N (899 lbs)	200 Nm (1770 lb-in)	80 Nm (708 lb-in)
	ø17, L=80	10	25 Nm (221 lb-in)	5000 N (1124 lbs)	800 Nm (7080 lb-in)	170 Nm (1505 lb-in)
	ø17, L=90	10	25 Nm (221 lb-in)	5000 N (1124 lbs)	800 Nm (7080 lb-in)	200 Nm (1770 lb-in)
	ø17, L=100	10	25 Nm (221 lb-in)	5000 N (1124 lbs)	1000 Nm (8850 lb-in)	480 Nm (4248 lb-in)
	ø28, L=22.5	10	25 Nm (221 lb-in)	2000 N (450 lbs)	-	-

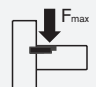
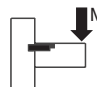


Bolt connector (p. 3-59)

		Slot				
	S6	6	10 Nm (88 lb-in)	500 N (112 lbs)	8 Nm (71 lb-in)	
	S8	8	25 Nm (221 lb-in)	800 N (180 lbs)	43 Nm (381 lb-in)	
	S12	10	35 Nm (310 lb-in)	1300 N (292 lbs)	80 Nm (708 lb-in)	
	M12	10	35 Nm (310 lb-in)	3000 N (674 lbs)	80 Nm (708 lb-in)	


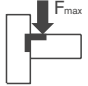
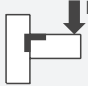
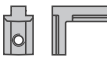



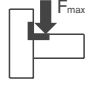
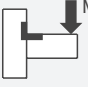
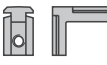



Central bolt (p. 3-40)


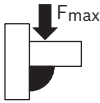
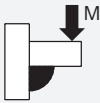
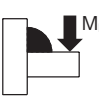
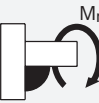
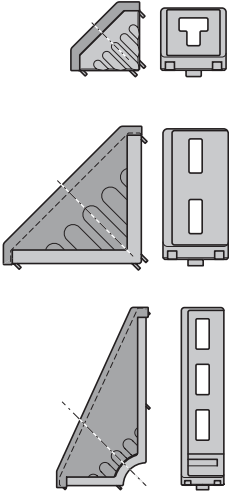







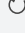

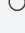
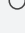

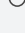
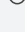
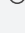
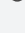
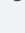
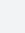
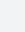
				Slot				
	20/2	6	↻	10 Nm (88 lb-in)			18 Nm (159 lb-in)	–
	20/3	6	↻	10 Nm (88 lb-in)			–	23 Nm (204 lb-in)
	30/2	8	↻	25 Nm (221 lb-in)			80 Nm (709 lb-in)	–
	30/3	8	↻	25 Nm (221 lb-in)			–	85 Nm (753 lb-in)
	40/2	10	↻	35 Nm (310 lb-in)			60 Nm (532 lb-in)	–
	40/3	10	↻	35 Nm (310 lb-in)			–	70 Nm (620 lb-in)
	45/2	10	↻	35 Nm (310 lb-in)	45x45L		150 Nm (1329 lb-in)	–
					45x45		200 Nm (1772 lb-in)	–
	45/3	10	↻	35 Nm (310 lb-in)	45x45L		–	170 Nm (1506 lb-in)
					45x45		–	240 Nm (2126 lb-in)
50/2	10	↻	35 Nm (310 lb-in)			120 Nm (1063 lb-in)	–	
50/3	10	↻	35 Nm (310 lb-in)			–	140 Nm (1240 lb-in)	

Cubic connector (p. 3-42)


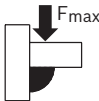
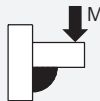

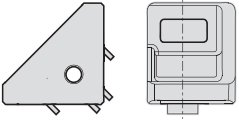



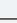
		Profile	Slot					
	SV8	30x...	8	↻	6 Nm (53 lb-in)	1000 N (224 lbs)	35 Nm (311 lb-in)	15 Nm (133 lb-in)
	SV 10L	45x... L	10	↻	15 Nm (133 lb-in)	3500 N (786 lbs)	110 Nm (975 lb-in)	30 Nm (266 lb-in)
	SV 10	40x..., 45x...	10	↻	15 Nm (133 lb-in)	3500 N (786 lbs)	110 Nm (975 lb-in)	30 Nm (266 lb-in)
		60x...	10	↻	15 Nm (133 lb-in)	3500 N (786 lbs)	195 Nm (1728 lb-in)	60 Nm (531 lb-in)

Tensioning connector (p. 3-14)


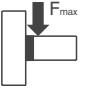
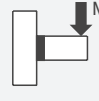
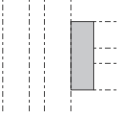




	Slot			
 Inner bracket (p. 3-15)		8 / 8  12 Nm (106 lb-in)	2200 N (495 lbs)	50 Nm (443 lb-in)
	10 / 10  15 Nm (133 lb-in)	2800 N (629 lbs)	100 Nm (886 lb-in)	
	Slot			
		6 / 6  3 Nm (26 lb-in)	600 N (135 lbs)	10 Nm (89 lbs)
		8 / 8  12 Nm (106 lb-in)	2500 N (562 lbs)	50 Nm (443 lbs)
Inner bracket R (p. 3-16)	10 / 10  15 Nm (133 lb-in)	3000 N (674 lbs)	100 Nm (886 lbs)	

		Slot					
	20/20	6	 3 Nm (27 lb-in)	700 N (157 lbs)	6 Nm (53 lb-in)	25 Nm (221 lb-in)	6 Nm (53 lb-in)
	20/40	6	 3 Nm (27 lb-in)	1400 N (315 lbs)	15 Nm (132 lb-in)	50 Nm (443 lb-in)	8 Nm (71 lb-in)
	30/30	8	 10 Nm (89 lb-in)	1250 N (281 lbs)	25 Nm (221 lb-in)	75 Nm (664 lb-in)	11 Nm (97 lb-in)
	30/60	8	 10 Nm (89 lb-in)	2500 N (562 lbs)	100 Nm (885 lb-in)	170 Nm (1505 lb-in)	25 Nm (221 lb-in)
	30/120	8	 10 Nm (89 lb-in)	3750 N (843 lbs)	100 Nm (885 lb-in)	–	47 Nm (416 lb-in)
	60/60-8	8	 10 Nm (89 lb-in)	5000 N (1124 lbs)	320 Nm (2832 lb-in)	370 Nm (3275 lb-in)	110 Nm (973 lb-in)
	60/60-10	10	 25 Nm (221 lb-in)	3000 N (674 lbs)	125 Nm (1105 lb-in)	150 Nm (1328 lb-in)	28 Nm (248 lb-in)
	40/40	10	 25 Nm (221 lb-in)	3000 N (674 lbs)	55 Nm (487 lb-in)	145 Nm (1283 lb-in)	35 Nm (310 lb-in)
	40/80	10	 25 Nm (221 lb-in)	6000 N (1349 lbs)	180 Nm (1593 lb-in)	400 Nm (3540 lb-in)	60 Nm (531 lb-in)
	40/160	10	 25 Nm (221 lb-in)	9000 N (2023 lbs)	250 Nm (2213 lb-in)	–	60 Nm (531 lb-in)
	80/80	10	 25 Nm (221 lb-in)	14000 N (3145 lbs)	500 Nm (4424 lb-in)	1000 Nm (8853 lb-in)	400 Nm (3540 lb-in)
	45/45	10	 25 Nm (221 lb-in)	3000 N (674 lbs)	60 Nm (531 lb-in)	160 Nm (1416 lb-in)	31 Nm (274 lb-in)
	45/90	10	 25 Nm (221 lb-in)	6000 N (1349 lbs)	180 Nm (1593 lb-in)	400 Nm (3540 lb-in)	60 Nm (531 lb-in)
	45/180	10	 25 Nm (221 lb-in)	9000 N (2023 lbs)	250 Nm (2213 lb-in)	–	65 Nm (575 lb-in)
	90/90	10	 25 Nm (221 lb-in)	12000 N (2698 lbs)	370 Nm (3275 lb-in)	800 Nm (7081 lb-in)	200 Nm (1770 lb-in)
43x42	10	 25 Nm (221 lb-in)	2000 N (450 lbs)	–	160 Nm (1416 lb-in)	–	
50/50	10	 25 Nm (221 lb-in)	4000 N (899 lbs)	125 Nm (1106 lb-in)	250 Nm (2212 lb-in)	38 Nm (336 lb-in)	
50/100	10	 25 Nm (221 lb-in)	7500 N (1686 lbs)	300 Nm (2655 lb-in)	600 Nm (5310 lb-in)	73 Nm (646 lb-in)	
100/100	10	 25 Nm (221 lb-in)	15000 N (3372 lbs)	550 Nm (4868 lb-in)	1100 Nm (9736 lb-in)	480 Nm (4248 lb-in)	


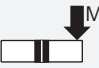
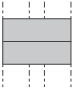




Bracket (p. 3-19)

			Slot					
	S 20x20	6	 2.5 Nm (22 lb-in)	700 N (157 lbs)	3.6 Nm (32 lb-in)	25 Nm (221 lb-in)		
	S 30x30	8	 8.5 Nm (75 lb-in)	1250 N (281 lbs)	16 Nm (142 lb-in)	75 Nm (664 lb-in)		
	S 40x40	10	 25 Nm (221 lb-in)	3000 N (674 lbs)	36 Nm (319 lb-in)	160 Nm (1416 lb-in)		
	S 45x45	10	 25 Nm (221 lb-in)	3000 N (674 lbs)	36 Nm (319 lb-in)	160 Nm (1416 lb-in)		

Bracket S (p. 7-8)

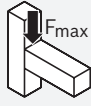
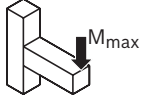


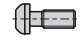
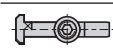
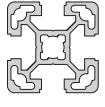
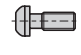

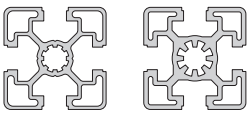
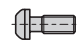
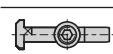
			Slot				
	30x30	8	 25 Nm (S8) / 5 Nm (M5) (221 lb-in / 44 lb-in)		4000 N (899 lbs)	80 Nm (708 lb-in)	
	40x40	10	 35 Nm (S12) / 10 Nm (M6) (309 lb-in / 88 lb-in)		9000 N (2023 lbs)	150 Nm (1328 lb-in)	
	45x45	10	 35 Nm (S12) / 10 Nm (M6) (309 lb-in / 88 lb-in)		9000 N (2023 lbs)	200 Nm (1770 lb-in)	
	50x50	10	 35 Nm (S12) / 10 Nm (M6) (309 lb-in / 88 lb-in)		10000 N (2248 lbs)	170 Nm (1505 lb-in)	

T-connector (p. 3-50)

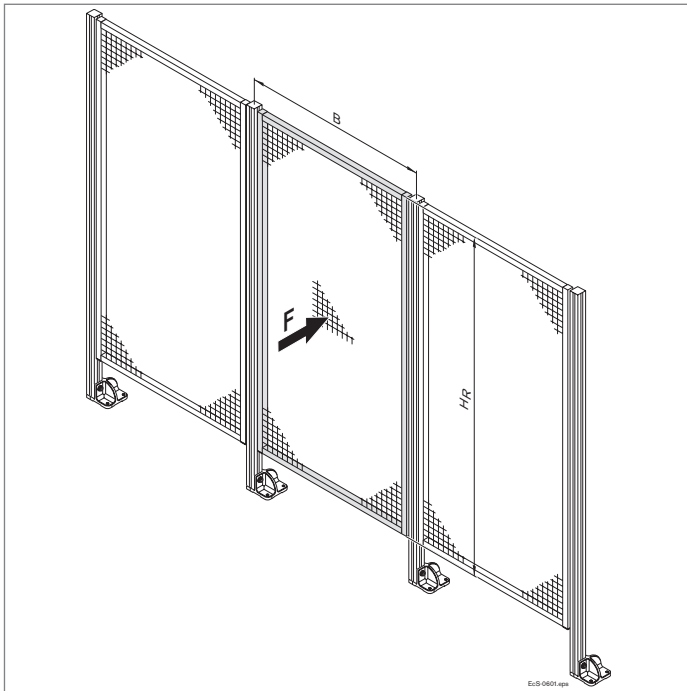
							
	30x30	8	 25 Nm (S8) / 5 Nm (M5) (221 lb-in / 44 lb-in)			81 Nm (717 lb-in)	
	40x40	10	 35 Nm (S12) / 10 Nm (M6) (309 lb-in / 88 lb-in)			170 Nm (1505 lb-in)	
	45x45	10	 35 Nm (S12) / 10 Nm (M6) (309 lb-in / 88 lb-in)			200 Nm (1770 lb-in)	
	50x50	10	 35 Nm (S12) / 10 Nm (M6) (309 lb-in / 88 lb-in)			180 Nm (1593 lb-in)	

End connector (p. 3-48)

Profile connection load-bearing capacity with radial compensation (p. 2-87)

				Slot				
	30x30		S8	8	↻ 25 Nm (221 lb-in)	600 N (135 lbs)	37 Nm (327 lb-in)	28 Nm (248 lb-in)
				8 / 8	↻ 12 Nm (106 lb-in)	600 N (135 lbs)	37 Nm (327 lb-in)	28 Nm (248 lb-in)
	40x40		M12 S12	10	↻ 30 Nm (310 lb-in)	1000 N (224 lbs)	47 Nm (416 lb-in)	55 Nm (487 lb-in)
				10 / 10	↻ 22 Nm (221 lb-in)	1000 N (224 lbs)	47 Nm (416 lb-in)	55 Nm (487 lb-in)
	45x45		S12 M12	10	↻ 35 Nm (310 lb-in)	1200 N (270 lbs)	53 Nm (469 lb-in)	59 Nm (522 lb-in)
				10 / 10	↻ 25 Nm (221 lb-in)	1200 N (270 lbs)	53 Nm (469 lb-in)	59 Nm (522 lb-in)

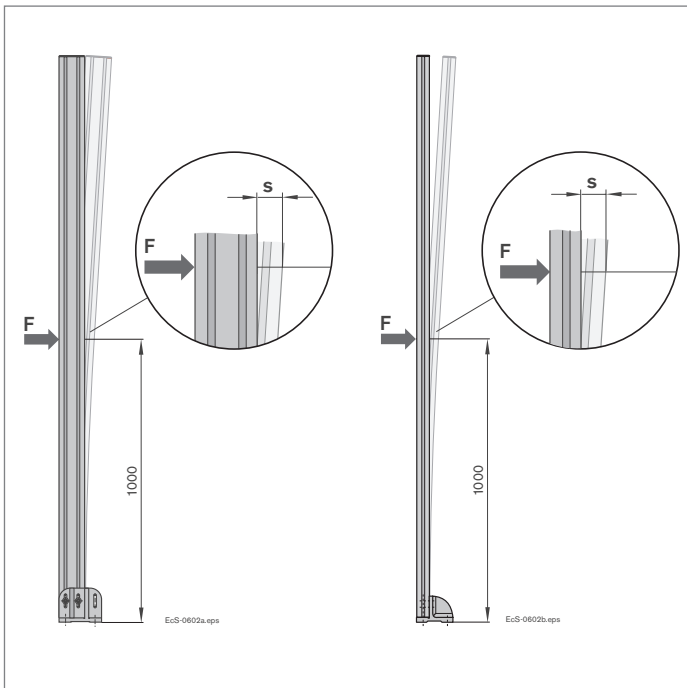
Load-bearing capacity data for EcoSafe protective frames and EcoSafe supports



EcoSafe protective frames withstand high loadings. The permissible forces which act on the protective grille have been determined in series of tests.

Test structure: In the case of a protective fence consisting of 3 frames, the woven wire grille in the middle frame is exposed to a maximum load force acting on its center.

Protective frame	HR (mm)	B (mm)	F (N)	No.
	1800	750	1650	3 842 554 283
	1800	1000	1100	3 842 554 284
	1800	1500	800	3 842 554 285



The force required to deflect the EcoSafe system supports has been determined in series of tests.

Test structure: A force acts on an installed system support at a height of 1 m (spring balance).

F (N)		100	150	300	450	600
s (mm)	45x45	4	6	13	21	31
	45x90	2	3	6	12	18

Material Number Overview

0 842 901 309	2-83, 12-2	3 842 502 683	4-3	3 842 513 584	2-24	3 842 518 376	2-86
1 845 719 000	2-89	3 842 502 687	4-6	3 842 513 646	13-10	3 842 518 377	2-86
3 842 071 941	12-38	3 842 502 688	4-6	3 842 513 648	13-36, 13-43	3 842 518 424	3-31
3 842 111 987	3-12	3 842 502 695	2-52	3 842 514 519	14-8	3 842 518 426	3-52
3 842 111 988	3-12	3 842 503 073	2-86	3 842 514 567	6-10	3 842 518 427	3-39
3 842 111 989	3-12	3 842 503 242	5-6	3 842 514 568	6-5	3 842 518 492	8-20
3 842 146 813	3-33	3 842 504 760	3-31	3 842 514 663	2-56	3 842 518 650	14-7
3 842 146 815	3-34	3 842 504 790	6-7	3 842 514 928	3-9	3 842 518 738	8-17
3 842 146 848	3-34	3 842 505 144	4-6	3 842 514 929	3-9	3 842 518 740	9-6
3 842 146 877	13-7/8, 13-17/18,	3 842 506 948	2-19	3 842 514 930	3-9	3 842 518 743	6-4
	13-31/32	3 842 506 949	2-20	3 842 514 931	3-9, 12-7, 12-11,	3 842 518 797	9-3
3 842 146 901	2-86	3 842 506 950	2-19		12-16	3 842 518 798	9-3
3 842 146 902	8-25	3 842 506 951	2-20	3 842 515 228	2-59	3 842 518 856	13-15
3 842 146 905	8-24	3 842 506 952	2-19	3 842 515 229	2-59	3 842 518 893	13-12/13
3 842 146 906	7-2	3 842 506 953	2-20	3 842 515 244	7-13	3 842 518 894	13-24/25
3 842 146 920	11-10	3 842 506 954	2-19	3 842 515 366	6-19	3 842 518 895	13-38/39
3 842 146 972	3-61	3 842 506 955	2-20	3 842 515 367	6-19	3 842 518 896	13-13
3 842 168 820	18-6	3 842 506 956	2-38	3 842 515 457	6-16	3 842 518 897	13-25
3 842 168 830	18-4	3 842 506 957	2-38	3 842 515 459	6-16	3 842 518 898	13-39
3 842 168 850	18-4	3 842 506 958	2-38	3 842 515 473	3-30	3 842 519 318	3-46
3 842 184 738	2-82, 7-6	3 842 506 959	2-39	3 842 515 531	10-22	3 842 519 319	3-46
3 842 191 175	3-49	3 842 506 960	2-38	3 842 515 547	3-30	3 842 519 321	3-47
3 842 191 182	2-86	3 842 506 961	2-38	3 842 515 863	10-22	3 842 519 465	17-2
3 842 191 194	8-25	3 842 506 962	2-38	3 842 516 014	2-50	3 842 519 565	7-4
3 842 218 940	12-17	3 842 506 963	2-39	3 842 516 015	2-50	3 842 519 567	7-4
3 842 218 941	12-17	3 842 507 123	2-45	3 842 516 165	9-6	3 842 519 657	2-15
3 842 218 942	12-17	3 842 507 124	2-56	3 842 516 175	6-10	3 842 519 658	2-15
3 842 218 953	12-2	3 842 507 125	2-41	3 842 516 598	8-20	3 842 519 717	18-10
3 842 242 404	8-25	3 842 507 127	2-42	3 842 516 669	3-11	3 842 520 000	12-22
3 842 259 790	6-23	3 842 507 715	2-49	3 842 516 685	3-11	3 842 520 024	2-46
3 842 259 791	6-23	3 842 508 087	5-5	3 842 516 694	8-22	3 842 520 025	2-46
3 842 259 792	6-24	3 842 508 088	5-5	3 842 516 715	8-10	3 842 520 802	3-51
3 842 259 793	6-24	3 842 508 102	2-60	3 842 516 720	2-59	3 842 520 922	2-64
3 842 259 794	6-24	3 842 508 103	2-60	3 842 516 729	14-5	3 842 521 216	3-39
3 842 305 766	7-12	3 842 508 104	2-61	3 842 516 731	14-5	3 842 521 262	4-8
3 842 305 767	7-12	3 842 508 105	2-61	3 842 516 837	7-11	3 842 521 263	4-8
3 842 305 768	7-12	3 842 508 116	2-61	3 842 516 838	7-11	3 842 521 510	2-67
3 842 311 950	6-5	3 842 508 967	12-38	3 842 516 845	4-12	3 842 521 513	2-67, 12-4
3 842 311 951	6-5	3 842 509 177	8-24	3 842 516 846	4-12, 12-7/8,	3 842 521 580	3-30, 12-5
3 842 311 956	6-5	3 842 509 179	2-52		12-9/10	3 842 521 817	6-5
3 842 315 100	2-41	3 842 509 187	2-46	3 842 516 847	4-4, 4-12	3 842 522 012	17-3
3 842 315 122	2-42	3 842 509 188	2-50	3 842 516 848	4-12	3 842 522 087	17-2
3 842 315 123	2-45	3 842 509 201	2-46	3 842 516 849	4-12	3 842 522 301	6-5
3 842 315 124	2-56	3 842 509 203	2-50	3 842 516 850	4-12	3 842 522 303	6-5
3 842 315 125	2-49	3 842 509 206	2-52	3 842 516 851	4-12	3 842 522 345	10-9
3 842 315 126	2-56	3 842 509 207	8-24	3 842 516 905	17-3	3 842 522 458	10-9
3 842 319 500	12-22	3 842 509 658	2-48	3 842 516 908	17-3	3 842 522 459	10-9
3 842 319 501	12-22	3 842 509 659	2-48	3 842 517 132	3-42/43	3 842 522 460	10-9
3 842 338 990	2-62	3 842 510 078	3-9	3 842 517 160	13-20, 13-27	3 842 522 461	10-9
3 842 345 081	3-7, 3-33/34,	3 842 510 145	5-5	3 842 517 173	2-14	3 842 522 462	10-9
	6-11, 10-7	3 842 510 165	9-5	3 842 517 174	2-15	3 842 522 463	10-9
3 842 348 526	3-27	3 842 510 462	9-5, 12-5	3 842 517 177	2-15	3 842 522 464	10-9
3 842 352 009	3-27	3 842 510 464	9-5	3 842 517 178	2-16	3 842 522 465	10-9
3 842 352 061	6-5	3 842 511 352	6-6	3 842 517 179	2-14	3 842 522 475	10-20
3 842 352 085	5-4	3 842 511 703	2-24	3 842 517 180	2-15	3 842 522 476	10-20
3 842 500 287	9-5	3 842 511 704	2-24	3 842 517 183	2-15	3 842 522 477	10-20
3 842 500 921	3-59	3 842 511 781	2-43	3 842 517 197	2-21	3 842 522 479	8-12, 10-16
3 842 500 922	3-59	3 842 511 782	2-43	3 842 517 198	2-21	3 842 522 481	10-10
3 842 500 923	3-59	3 842 511 841	13-18	3 842 517 199	2-40	3 842 522 633	4-7
3 842 501 574	2-19	3 842 511 871	2-55	3 842 517 200	2-40	3 842 522 634	4-7
3 842 501 576	12-18	3 842 511 872	2-55	3 842 517 543	3-43	3 842 523 014	9-2, 11-2
3 842 501 578	12-18	3 842 511 893	6-5	3 842 518 204	2-85	3 842 523 092	5-4
3 842 501 587	3-21	3 842 511 903	13-17/18	3 842 518 205	2-85	3 842 523 093	5-6
3 842 501 751	3-4	3 842 512 603	2-22	3 842 518 343	7-2	3 842 523 094	5-6
3 842 501 752	3-4	3 842 512 930	2-22	3 842 518 347	7-2	3 842 523 097	5-3
3 842 501 753	3-4	3 842 513 517	12-16	3 842 518 351	7-2	3 842 523 098	5-3
3 842 501 962	2-86	3 842 513 576	2-51	3 842 518 367	2-86	3 842 523 102	5-6
3 842 502 137	3-21	3 842 513 577	2-51	3 842 518 368	2-86	3 842 523 135	3-4
3 842 502 257	6-4	3 842 513 581	2-24	3 842 518 369	2-86	3 842 523 140	3-9
3 842 502 538	2-19	3 842 513 582	2-24	3 842 518 375	2-86	3 842 523 142	3-9

20-2 Aluminum Framing 8.0 | Material number overview

3 842 523 145	3-11	3 842 524 036	2-21	3 842 526 422	13-22, 13-29	3 842 529 020	3-30
3 842 523 165	10-12	3 842 524 037	2-21	3 842 526 500	13-17/18	3 842 529 024	6-5
3 842 523 166	10-12	3 842 524 039	2-39	3 842 526 560	3-34, 6-10, 6-12	3 842 529 025	6-4, 12-43/44
3 842 523 170	10-13	3 842 524 040	2-39	3 842 526 561	6-8, 6-11/12	3 842 529 026	2-87
3 842 523 205	12-14	3 842 524 042	2-39	3 842 526 564	11-9	3 842 529 049	2-30
3 842 523 206	12-14	3 842 524 043	2-39	3 842 526 565	11-9	3 842 529 050	2-30
3 842 523 207	12-15	3 842 524 045	2-40	3 842 526 588	8-22	3 842 529 051	2-30
3 842 523 209	12-14	3 842 524 046	2-40	3 842 526 589	14-7	3 842 529 248	3-58, 5-5
3 842 523 210	12-14	3 842 524 048	2-22	3 842 526 591	8-22	3 842 529 293	3-58
3 842 523 211	12-15	3 842 524 049	2-22	3 842 526 626	2-66	3 842 529 294	3-11
3 842 523 212	12-7, 12-13	3 842 524 050	2-20	3 842 526 627	2-66	3 842 529 295	3-11
3 842 523 213	12-13	3 842 524 051	2-21	3 842 526 628	2-66	3 842 529 296	3-11
3 842 523 243	8-11	3 842 524 052	2-21	3 842 526 660	2-66	3 842 529 297	3-11
3 842 523 254	2-86	3 842 524 053	2-39	3 842 526 665	2-66	3 842 529 298	3-11
3 842 523 256	2-86	3 842 524 054	2-39	3 842 526 671	2-65	3 842 529 299	3-11
3 842 523 258	2-86	3 842 524 055	2-40	3 842 526 672	2-65	3 842 529 300	3-11
3 842 523 308	10-19	3 842 524 058	2-58	3 842 526 673	2-65	3 842 529 319	3-10
3 842 523 320	8-12, 10-16	3 842 524 061	2-58	3 842 526 786	10-17	3 842 529 320	3-10
3 842 523 438	3-9	3 842 524 064	2-58	3 842 526 787	10-17	3 842 529 321	3-10
3 842 523 493	7-3	3 842 524 067	2-58	3 842 526 816	2-17	3 842 529 323	3-10
3 842 523 494	7-3	3 842 524 069	7-10	3 842 526 817	2-17	3 842 529 324	3-10
3 842 523 508	3-20	3 842 524 072	7-10	3 842 526 818	2-25	3 842 529 325	3-10
3 842 523 511	3-20	3 842 524 153	2-67, 12-5	3 842 526 820	2-52	3 842 529 327	3-10
3 842 523 516	3-20	3 842 524 163	10-14	3 842 526 821	2-52	3 842 529 334	3-58
3 842 523 517	3-20	3 842 524 164	10-14	3 842 526 863	13-24, 13-28	3 842 529 339	2-28
3 842 523 520	3-20	3 842 524 165	10-15	3 842 526 865	13-24, 13-28	3 842 529 340	2-28
3 842 523 525	3-21	3 842 524 166	10-15	3 842 526 867	13-38, 13-42	3 842 529 341	2-32
3 842 523 528	3-21	3 842 524 414	2-87	3 842 526 869	13-38, 13-42	3 842 529 342	2-32
3 842 523 530	3-21	3 842 524 415	2-87	3 842 526 878	13-32	3 842 529 344	2-33
3 842 523 532	3-21	3 842 524 469	6-11	3 842 526 893	13-47	3 842 529 345	2-34
3 842 523 537	3-21/22/23	3 842 524 476	3-50	3 842 526 894	13-47	3 842 529 346	2-34
3 842 523 538	3-22	3 842 524 490	12-5	3 842 526 895	13-47	3 842 529 347	2-34
3 842 523 541	3-22	3 842 524 499	6-19	3 842 527 174	2-64, 3-40	3 842 529 348	2-34
3 842 523 546	3-23	3 842 524 500	6-19	3 842 527 186	6-5	3 842 529 349	2-36
3 842 523 549	3-23	3 842 524 622	8-20	3 842 527 226	13-8, 13-13,	3 842 529 350	2-36
3 842 523 551	3-23	3 842 524 623	8-20		13-18/19/20, 13-25/26/27,	3 842 529 351	2-53
3 842 523 553	3-23	3 842 524 986	9-8		13-32/33/34, 13-39/40/41,	3 842 529 352	2-53
3 842 523 558	3-25	3 842 525 014	10-21		13-49	3 842 529 354	2-53
3 842 523 561	3-25	3 842 525 443	12-28	3 842 527 553	6-11, 10-7	3 842 529 355	2-54
3 842 523 567	3-26	3 842 525 480	8-17	3 842 527 738	16-6	3 842 529 356	2-54
3 842 523 570	3-26	3 842 525 481	8-17	3 842 527 851	16-6	3 842 529 357	2-55
3 842 523 575	3-27	3 842 525 504	2-40	3 842 528 009	16-9	3 842 529 358	2-55
3 842 523 578	3-27	3 842 525 505	2-40	3 842 528 189	6-13	3 842 529 359	2-31
3 842 523 583	3-26	3 842 525 737	12-29	3 842 528 191	6-13	3 842 529 360	2-31
3 842 523 587	3-22	3 842 525 738	12-29	3 842 528 539	16-13	3 842 529 361	2-28
3 842 523 593	3-25	3 842 525 739	12-29	3 842 528 540	16-13	3 842 529 362	2-28
3 842 523 598	2-67, 12-4	3 842 525 740	12-29	3 842 528 574	5-4, 5-6, 14-3	3 842 529 363	2-29
3 842 523 599	2-67, 12-4	3 842 525 741	12-29	3 842 528 577	14-3	3 842 529 364	2-29
3 842 523 872	3-43	3 842 525 742	12-29	3 842 528 586	14-6	3 842 529 365	2-29
3 842 523 873	3-43	3 842 525 766	8-17	3 842 528 588	14-6	3 842 529 366	2-29
3 842 523 874	3-45	3 842 525 767	8-17	3 842 528 590	14-6	3 842 529 367	2-29
3 842 523 875	3-42	3 842 525 780	10-17	3 842 528 593	3-40	3 842 529 368	2-29
3 842 523 876	3-43	3 842 525 781	10-16	3 842 528 715	3-7, 3-33/34	3 842 529 370	2-33
3 842 523 877	3-44	3 842 525 782	10-16	3 842 528 718	3-7	3 842 529 371	2-30
3 842 523 918	12-42	3 842 525 821	8-11, 10-16	3 842 528 721	3-7, 6-11, 10-7	3 842 529 373	2-30
3 842 523 920	3-7	3 842 525 822	8-11, 10-16	3 842 528 724	3-7	3 842 529 375	2-30
3 842 523 921	3-7	3 842 525 823	8-11	3 842 528 727	3-7	3 842 529 378	2-54
3 842 523 922	3-7	3 842 525 833	10-18	3 842 528 735	3-9, 12-8/9/10/11,	3 842 529 380	2-36
3 842 523 925	3-7	3 842 525 946	8-13		12-16, 12-18	3 842 529 381	2-31
3 842 523 968	3-40	3 842 525 947	8-13	3 842 528 738	3-9	3 842 529 382	2-31
3 842 523 970	3-40	3 842 526 003	3-48	3 842 528 741	3-9	3 842 529 383	3-23
3 842 524 012	3-5	3 842 526 034	12-28	3 842 528 744	3-9	3 842 529 386	3-24
3 842 524 025	7-5	3 842 526 410	13-7, 13-9	3 842 528 746	3-39	3 842 529 404	3-47
3 842 524 026	7-5	3 842 526 411	13-7, 13-10	3 842 528 967	3-23	3 842 529 416	6-6
3 842 524 027	7-5	3 842 526 412	13-17, 13-21	3 842 529 005	3-24	3 842 529 417	6-6
3 842 524 028	7-5	3 842 526 413	13-17, 13-21	3 842 529 006	3-24	3 842 529 761	7-5
3 842 524 030	2-20	3 842 526 414	13-31, 13-35	3 842 529 010	3-44	3 842 529 762	7-5
3 842 524 031	2-20	3 842 526 415	13-31, 13-35	3 842 529 011	3-44	3 842 529 850	16-4
3 842 524 033	2-21	3 842 526 416	13-12, 13-14	3 842 529 012	3-45	3 842 529 931	12-40
3 842 524 034	2-21	3 842 526 417	13-12, 13-15	3 842 529 013	3-45	3 842 529 933	12-41

3 842 530 231	3-25	3 842 533 307	6-14	3 842 535 835	2-72/73	3 842 536 729	3-32
3 842 530 235	3-40	3 842 533 308	6-14	3 842 535 921	11-2	3 842 536 730	2-73
3 842 530 236	3-40, 3-44/45, 10-7	3 842 533 309	6-14	3 842 536 002	2-72	3 842 536 736	6-20
3 842 530 241	9-7	3 842 533 310	6-5, 6-14	3 842 536 054	12-32	3 842 536 737	6-20
3 842 530 259	3-28	3 842 533 841	12-45, 16-4	3 842 536 055	12-30	3 842 536 738	6-20
3 842 530 260	3-28	3 842 533 901	6-15	3 842 536 056	12-30	3 842 536 746	6-9
3 842 530 281	3-5	3 842 535 115	2-68, 12-20	3 842 536 057	12-30	3 842 536 787	3-39
3 842 530 283	2-89, 3-5	3 842 535 116	2-68, 12-20	3 842 536 119	3-33	3 842 536 792	12-41
3 842 530 285	3-5, 8-12, 13-7/8, 13-20, 13-27, 13-34, 13-41	3 842 535 118	2-72	3 842 536 120	3-33	3 842 536 811	6-2
3 842 530 287	3-5, 13-17/18, 13-31/32	3 842 535 121	12-23	3 842 536 121	3-33	3 842 536 812	6-2
3 842 530 303	8-21, 9-4, 12-3	3 842 535 122	12-23	3 842 536 122	3-33	3 842 537 013	3-53
3 842 993 316	2-89, 12-20	3 842 535 124	12-22	3 842 536 123	3-33	3 842 537 100	2-47
3 842 530 316	3-10	3 842 535 136	2-88	3 842 536 124	3-33	3 842 537 101	2-47
3 842 530 321	3-10	3 842 535 175	2-24	3 842 536 125	3-33	3 842 537 102	2-43
3 842 530 325	3-41	3 842 535 176	2-24	3 842 536 126	3-33	3 842 537 103	2-43
3 842 530 326	3-41	3 842 535 364	12-24	3 842 536 148	7-11, 17-4	3 842 537 113	2-88
3 842 530 329	12-8/9/10, 12-13	3 842 535 428	3-52	3 842 536 207	6-9	3 842 537 116	2-88
3 842 530 352	8-16	3 842 535 458	3-54	3 842 536 268	12-42	3 842 537 119	2-88
3 842 530 353	8-16	3 842 535 459	3-54	3 842 536 270	12-42	3 842 537 135	2-89
3 842 530 360	3-25	3 842 535 464	3-54	3 842 536 295	16-7	3 842 537 163	12-29
3 842 530 361	3-29	3 842 535 465	3-55	3 842 536 320	17-3	3 842 537 164	12-29
3 842 530 381	3-28	3 842 535 466	3-55	3 842 536 321	2-85, 6-16	3 842 537 206	6-3
3 842 530 382	3-28	3 842 535 571	3-17, 8-24	3 842 536 470	6-5	3 842 537 220	6-2
3 842 530 400	14-4	3 842 535 572	3-15	3 842 536 472	2-22	3 842 537 222	6-2
3 842 530 417	12-42	3 842 535 573	3-16	3 842 536 473	2-22	3 842 537 223	6-2
3 842 530 460	3-29	3 842 535 574	3-15	3 842 536 475	2-14	3 842 537 224	6-2
3 842 530 864	12-42	3 842 535 575	3-16	3 842 536 476	2-14	3 842 537 225	6-2
3 842 531 220	2-24	3 842 535 576	3-17	3 842 536 478	2-14	3 842 537 226	6-2
3 842 532 195	3-50	3 842 535 577	3-17	3 842 536 479	2-14	3 842 537 227	6-2
3 842 532 196	3-48	3 842 535 578	3-15	3 842 536 481	2-35	3 842 537 228	6-2
3 842 532 198	3-51	3 842 535 583	3-59, 4-3	3 842 536 482	2-35	3 842 537 229	6-2
3 842 532 199	3-49	3 842 535 586	2-24	3 842 536 484	2-32	3 842 537 230	6-2
3 842 532 205	3-52	3 842 535 617	3-60	3 842 536 485	2-32	3 842 537 231	6-2
3 842 532 206	4-8	3 842 535 618	3-59	3 842 536 489	7-8	3 842 537 232	6-2
3 842 532 207	4-8	3 842 535 619	3-60	3 842 536 490	7-8	3 842 537 280	18-5
3 842 532 208	4-7	3 842 535 620	3-59	3 842 536 491	7-8	3 842 537 289	18-7
3 842 532 209	4-7	3 842 535 621	3-59	3 842 536 531	8-23	3 842 537 321	12-28
3 842 532 239	2-16	3 842 535 622	3-59	3 842 536 532	8-23	3 842 537 357	12-28
3 842 532 241	2-16	3 842 535 624	3-59	3 842 536 533	8-26	3 842 537 477	2-73
3 842 532 274	3-30	3 842 535 625	3-18	3 842 536 536	8-26	3 842 537 556	14-2
3 842 532 363	11-2	3 842 535 626	3-18	3 842 536 537	8-26	3 842 537 583	12-32
3 842 532 505	2-70, 12-37	3 842 535 627	3-18	3 842 536 540	8-26	3 842 537 584	12-32
3 842 532 508	12-37	3 842 535 629	3-57	3 842 536 541	8-26	3 842 537 592	12-33
3 842 532 608	2-69, 12-35	3 842 535 630	3-56	3 842 536 556	8-18	3 842 537 593	12-33
3 842 532 676	12-41	3 842 535 634	3-56	3 842 536 560	6-6	3 842 537 650	2-88
3 842 992 903	2-69, 12-35	3 842 535 635	3-57	3 842 536 562	6-6	3 842 537 651	2-88
3 842 532 695	2-69, 12-35	3 842 535 637	2-60	3 842 536 564	6-6	3 842 537 652	2-88
3 842 532 696	2-70, 12-35	3 842 535 645	13-7, 13-9	3 842 536 566	6-6	3 842 537 657	12-27
3 842 532 697	2-69, 12-35	3 842 535 661	2-59	3 842 536 581	6-8	3 842 537 660	12-23
3 842 532 752	12-21	3 842 535 662	13-7/8, 13-12/13	3 842 536 599	3-4	3 842 537 661	12-23
3 842 532 862	12-21	3 842 535 663	13-31, 13-33, 13-38, 13-40	3 842 536 600	3-4	3 842 537 664	12-33
3 842 532 865	12-21	3 842 535 664	13-17, 13-19, 13-24, 13-26	3 842 536 601	3-4	3 842 537 665	12-33
3 842 532 866	12-21	3 842 535 665	13-33, 13-40	3 842 536 602	3-4	3 842 537 679	2-62
3 842 532 867	12-21	3 842 535 666	13-19, 13-26	3 842 536 603	3-5	3 842 537 680	2-62
3 842 532 870	12-21	3 842 535 667	12-29	3 842 536 604	3-5	3 842 537 681	2-62
3 842 532 871	12-25	3 842 535 668	12-29	3 842 536 605	3-5	3 842 537 682	2-62
3 842 532 878	2-72	3 842 535 669	6-16	3 842 536 606	3-5	3 842 537 687	12-26
3 842 532 879	2-72	3 842 535 670	6-16	3 842 536 609	3-10	3 842 537 718	2-72/73
3 842 532 880	12-21	3 842 535 676	11-2	3 842 536 670	7-8	3 842 537 720	12-24
3 842 532 881	12-21	3 842 535 680	13-17, 13-22, 13-24, 13-29, 13-31, 13-36, 13-38, 13-43	3 842 536 671	7-8	3 842 537 740	12-32
3 842 532 883	12-21	3 842 535 681	13-12, 13-15	3 842 536 672	7-8	3 842 537 776	12-25
3 842 532 884	12-21	3 842 535 682	13-7, 13-10	3 842 536 673	3-11	3 842 537 777	12-25
3 842 532 886	12-20	3 842 535 683	12-29	3 842 536 675	3-11	3 842 537 778	12-25
3 842 532 887	12-20	3 842 535 684	8-4	3 842 536 676	3-11	3 842 537 779	12-25
3 842 533 305	6-15	3 842 535 688	12-29	3 842 536 694	6-3	3 842 537 803	12-22
3 842 533 306	6-15	3 842 535 689	5-4	3 842 536 695	6-3	3 842 537 806	12-22
		3 842 535 719	5-4	3 842 536 696	6-3	3 842 537 807	12-22
		3 842 535 721	5-3	3 842 536 701	6-21	3 842 537 812	2-52
				3 842 536 722	12-26	3 842 537 816	2-16
				3 842 536 724	12-27	3 842 537 817	2-57

20-4 Aluminum Framing 8.0 | Material number overview

3 842 537 818	2-16	3 842 538 556	6-3	3 842 539 497	16-11	3 842 542 684	8-15
3 842 537 819	2-16	3 842 538 557	6-3	3 842 539 498	16-9	3 842 542 692	3-9
3 842 537 821	2-25	3 842 538 558	6-3	3 842 539 499	16-9	3 842 542 693	3-9
3 842 537 823	2-47	3 842 538 559	6-3	3 842 539 500	16-11	3 842 542 694	3-9
3 842 537 824	2-33	3 842 538 562	3-53	3 842 539 501	16-12	3 842 542 696	2-64
3 842 537 825	2-53	3 842 538 563	3-55	3 842 539 505	16-12	3 842 542 698	2-64
3 842 537 826	2-54	3 842 538 564	3-55	3 842 539 613	16-5	3 842 542 736	3-13
3 842 537 827	2-33	3 842 538 565	3-41	3 842 539 799	4-6	3 842 542 737	3-13
3 842 537 828	2-36	3 842 538 566	3-41	3 842 539 800	4-6	3 842 543 272	2-80
3 842 537 846	2-47	3 842 538 567	3-41	3 842 539 826	16-12	3 842 543 311	2-82
3 842 537 847	2-57	3 842 538 607	4-5, 4-12	3 842 539 894	15-2	3 842 543 321	8-7
3 842 537 861	3-32	3 842 538 656	3-48	3 842 539 895	15-3	3 842 543 322	8-7
3 842 537 862	3-32	3 842 538 657	3-48	3 842 539 896	15-3	3 842 543 323	8-7
3 842 537 888	12-41	3 842 538 658	3-49	3 842 539 897	15-3	3 842 543 324	8-7
3 842 537 889	12-41	3 842 538 673	6-3	3 842 539 898	15-3	3 842 543 325	8-7
3 842 537 890	12-41	3 842 538 674	6-3	3 842 540 012	15-2	3 842 543 326	8-7
3 842 537 894	12-31	3 842 538 675	6-3	3 842 540 173	6-12	3 842 543 327	8-7
3 842 537 895	12-31	3 842 538 676	6-3	3 842 540 392	1-9	3 842 543 328	8-7
3 842 537 896	12-31	3 842 538 677	6-3	3 842 540 668	6-10, 6-12	3 842 543 329	8-7
3 842 537 897	12-31	3 842 538 678	6-3	3 842 540 900	13-52, 13-57	3 842 543 330	8-7
3 842 537 898	12-31	3 842 538 679	6-3	3 842 540 954	2-28	3 842 543 331	8-7
3 842 537 899	12-31	3 842 538 680	6-3	3 842 540 955	2-37	3 842 543 332	8-7
3 842 537 900	12-31	3 842 538 683	4-3	3 842 541 008	12-30	3 842 543 333	8-7
3 842 537 901	12-31	3 842 538 684	4-4	3 842 541 173	2-77	3 842 543 334	8-7
3 842 537 911	12-27, 12-33	3 842 538 685	4-4	3 842 541 175	2-78	3 842 543 371	8-3
3 842 537 944	12-20	3 842 538 686	4-5	3 842 541 178	2-78	3 842 543 372	8-3
3 842 537 945	12-20	3 842 538 687	4-5	3 842 541 181	2-78	3 842 543 401	4-4
3 842 537 947	12-20	3 842 538 688	4-7	3 842 541 183	2-77	3 842 543 402	4-4
3 842 537 948	12-21	3 842 538 689	4-7	3 842 541 185	2-77	3 842 543 403	4-5
3 842 537 951	12-24	3 842 538 690	4-7	3 842 541 187	2-80	3 842 543 404	4-5
3 842 537 958	12-21	3 842 538 691	4-7	3 842 541 190	2-80	3 842 543 408	8-19
3 842 537 959	12-21	3 842 538 692	4-8	3 842 541 193	2-81	3 842 543 409	8-19
3 842 537 960	12-21	3 842 538 693	4-8	3 842 541 196	2-76	3 842 543 410	8-19
3 842 537 961	12-21	3 842 538 694	4-8	3 842 541 211	2-76	3 842 543 411	8-19
3 842 537 962	12-21	3 842 538 695	4-8	3 842 541 212	2-76	3 842 543 412	8-19
3 842 537 963	12-21	3 842 538 696	3-50	3 842 541 213	2-76	3 842 543 480	2-79
3 842 537 964	12-21	3 842 538 697	3-50	3 842 541 214	2-76	3 842 543 494	2-83
3 842 537 965	12-21	3 842 538 698	3-51	3 842 541 226	6-19	3 842 544 500	8-5
3 842 537 995	18-9	3 842 538 700	3-52	3 842 541 228	6-19	3 842 544 501	8-5
3 842 538 064	12-22	3 842 538 701	3-52	3 842 541 230	6-19	3 842 544 502	8-5
3 842 538 065	12-22	3 842 538 702	3-52	3 842 541 232	6-19	3 842 544 503	8-5
3 842 538 093	2-88	3 842 538 703	3-30	3 842 541 234	6-19	3 842 544 504	8-5
3 842 538 094	12-20	3 842 538 704	3-30	3 842 541 236	6-19	3 842 544 505	8-5
3 842 538 208	16-5	3 842 538 705	3-30	3 842 541 238	6-19	3 842 544 506	8-5
3 842 538 209	16-4	3 842 538 706	3-31	3 842 541 240	6-19	3 842 544 507	8-5
3 842 538 241	8-14	3 842 538 829	16-3	3 842 541 242	6-19	3 842 544 525	8-6
3 842 538 245	12-22	3 842 538 832	6-3	3 842 541 244	6-19	3 842 544 526	8-6
3 842 538 275	4-11	3 842 538 833	6-3	3 842 541 246	3-6	3 842 544 527	8-6
3 842 538 276	4-11	3 842 538 834	6-3	3 842 541 296	2-81	3 842 544 528	8-6
3 842 538 281	2-62	3 842 538 835	6-3	3 842 541 393	3-11	3 842 544 529	8-6
3 842 538 287	2-35	3 842 538 836	6-3	3 842 541 409	3-6	3 842 544 530	8-6
3 842 538 296	2-49	3 842 538 932	6-3	3 842 541 410	3-55	3 842 544 531	8-6
3 842 538 297	2-48	3 842 538 934	6-3	3 842 541 412	3-54	3 842 544 552	8-8
3 842 538 298	2-44	3 842 538 955	2-86	3 842 541 807	2-85	3 842 544 553	8-8
3 842 538 299	2-44	3 842 538 956	2-86	3 842 541 813	2-68, 12-20	3 842 544 554	8-8
3 842 538 300	2-49	3 842 538 957	2-86	3 842 541 814	2-68, 12-20	3 842 544 562	8-9
3 842 538 301	2-48	3 842 538 958	2-86	3 842 541 937	2-23	3 842 544 637	2-83
3 842 538 302	2-44	3 842 539 120	13-12, 13-14	3 842 541 939	2-23	3 842 544 661	8-3
3 842 538 303	2-44	3 842 539 339	16-11	3 842 542 146	10-10	3 842 544 797	2-63, 2-81
3 842 538 329	2-33	3 842 539 340	16-4	3 842 542 328	7-9	3 842 544 832	14-8
3 842 538 330	2-33	3 842 539 344	16-12	3 842 542 329	7-9	3 842 544 833	14-9
3 842 538 333	2-35	3 842 539 345	16-5	3 842 542 330	7-9	3 842 544 834	14-8
3 842 538 334	2-35	3 842 539 412	13-8	3 842 542 435	2-86	3 842 544 835	14-8
3 842 538 372	12-26	3 842 539 413	13-7/8	3 842 542 500	18-8	3 842 544 836	14-9
3 842 538 388	16-3	3 842 539 414	13-13	3 842 542 555	18-3	3 842 544 837	14-9
3 842 538 389	16-4	3 842 539 415	13-18, 13-25	3 842 542 556	18-2	3 842 544 875	6-12
3 842 538 489	3-14	3 842 539 416	13-32, 13-39	3 842 542 667	6-8	3 842 546 519	9-4
3 842 538 490	3-14	3 842 539 494	16-10	3 842 542 668	6-9	3 842 546 560	10-11
3 842 538 491	3-14	3 842 539 495	16-10	3 842 542 669	6-9	3 842 546 564	4-2
3 842 538 555	6-3	3 842 539 496	16-11	3 842 542 683	8-15	3 842 546 625	3-35

3 842 546 626	3-35	3 842 548 711	3-47	3 842 548 801	2-40	3 842 548 876	2-86
3 842 546 627	3-35	3 842 548 712	3-46	3 842 548 802	2-42	3 842 548 877	2-86
3 842 546 628	3-36	3 842 548 713	3-46	3 842 548 803	2-42	3 842 548 878	2-86
3 842 546 629	3-36	3 842 548 714	3-47	3 842 548 804	2-43, 2-45	3 842 548 879	2-86
3 842 546 630	3-36	3 842 548 715	3-47	3 842 548 805	2-43, 2-45	3 842 548 934	3-54
3 842 546 632	3-37	3 842 548 716	3-46	3 842 548 806	2-47	3 842 548 935	3-54
3 842 546 717	6-12/13	3 842 548 717	3-46	3 842 548 807	2-47	3 842 548 936	3-54
3 842 546 718	6-12/13	3 842 548 718	3-47	3 842 548 808	2-55/56	3 842 548 937	3-55
3 842 546 744	14-9	3 842 548 719	3-47	3 842 548 809	2-55/56	3 842 548 938	3-55
3 842 546 745	14-9	3 842 548 720	3-46	3 842 548 810	2-55/56	3 842 548 949	7-3
3 842 547 227	16-9	3 842 548 721	3-46	3 842 548 811	2-55/56	3 842 548 997	11-6
3 842 547 228	16-10	3 842 548 722	3-47	3 842 548 812	2-56	3 842 549 858	3-42
3 842 547 461	3-38	3 842 548 723	3-47	3 842 548 813	2-56	3 842 549 859	3-42
3 842 547 707	12-45	3 842 548 742	2-14, 2-16	3 842 548 814	2-49/50/51	3 842 549 860	3-43
3 842 547 718	12-45	3 842 548 743	2-14, 2-16	3 842 548 815	2-49/50/51	3 842 549 861	3-43
3 842 547 729	12-45	3 842 548 744	2-19, 2-22/23	3 842 548 816	2-51	3 842 549 862	3-43
3 842 547 806	3-11	3 842 548 745	2-19, 2-22/23	3 842 548 817	2-51	3 842 549 863	3-43
3 842 547 807	3-11	3 842 548 746	2-28, 2-33, 2-35	3 842 548 818	2-54	3 842 549 864	3-43
3 842 547 808	3-11	3 842 548 747	2-28, 2-33, 2-35	3 842 548 819	2-54	3 842 549 865	3-43
3 842 547 811	3-9	3 842 548 748	2-32/33/34/35	3 842 548 820	2-53	3 842 549 866	3-44
3 842 547 812	3-9	3 842 548 749	2-32/33/34/35	3 842 548 821	2-53	3 842 549 867	3-44
3 842 547 813	3-9	3 842 548 750	2-34, 2-36	3 842 548 822	2-53	3 842 549 868	3-44
3 842 547 814	3-9	3 842 548 751	2-34, 2-36	3 842 548 823	2-53	3 842 549 869	3-44
3 842 547 815	3-9	3 842 548 752	2-37, 2-41	3 842 548 824	2-54/55	3 842 549 870	3-44
3 842 547 816	3-9	3 842 548 753	2-37, 2-41, 10-7, 13-31	3 842 548 825	2-54/55	3 842 549 871	3-44
3 842 547 817	3-9			3 842 548 826	2-15	3 842 549 872	3-45
3 842 547 821	3-11	3 842 548 754	2-42	3 842 548 827	2-15	3 842 549 873	3-45
3 842 547 822	3-11	3 842 548 755	2-42, 13-7	3 842 548 828	2-16	3 842 549 874	3-45
3 842 547 823	3-11	3 842 548 756	2-43, 2-45/46	3 842 548 829	2-16	3 842 549 876	3-45
3 842 547 824	3-11	3 842 548 757	2-43, 2-45/46, 13-12, 13-31, 13-38	3 842 548 830	2-52	3 842 549 882	2-86
3 842 547 825	3-10			3 842 548 831	2-52	3 842 549 888	2-86
3 842 547 826	3-10	3 842 548 758	2-48, 2-50	3 842 548 832	7-6	3 842 551 596	3-20
3 842 547 827	2-47	3 842 548 759	2-48, 2-50, 13-17	3 842 548 834	7-6	3 842 551 597	3-20
3 842 547 835	6-19	3 842 548 760	2-49/50/51	3 842 548 836	7-7	3 842 551 598	3-21
3 842 547 836	6-19	3 842 548 761	2-49/50/51, 13-24, 13-31, 13-38	3 842 548 838	7-7	3 842 551 599	3-21
3 842 547 837	6-19			3 842 548 840	7-7	3 842 551 600	3-21
3 842 547 838	6-19	3 842 548 766	2-17	3 842 548 842	3-20	3 842 551 601	3-22
3 842 547 839	6-19	3 842 548 767	2-17	3 842 548 843	3-20	3 842 551 602	3-22
3 842 547 840	6-19	3 842 548 768	2-25	3 842 548 844	3-20	3 842 551 603	3-23
3 842 547 868	4-10	3 842 548 769	2-25	3 842 548 845	3-20	3 842 551 604	3-24
3 842 547 869	4-10	3 842 548 770	2-52	3 842 548 846	3-21	3 842 551 605	3-24
3 842 547 890	6-22	3 842 548 771	2-52	3 842 548 847	3-21	3 842 551 606	3-25
3 842 547 971	12-45	3 842 548 772	2-52	3 842 548 848	3-22	3 842 551 607	3-26
3 842 547 982	14-7	3 842 548 773	2-52	3 842 548 849	3-22	3 842 551 608	3-26
3 842 547 990	12-45	3 842 548 774	2-19, 2-22/23	3 842 548 850	3-22	3 842 551 609	3-23
3 842 548 117	2-76	3 842 548 775	2-19, 2-22/23	3 842 548 851	3-22	3 842 551 610	3-23
3 842 548 118	2-78	3 842 548 776	2-21	3 842 548 852	3-23	3 842 551 611	3-23
3 842 548 119	2-77	3 842 548 777	2-21	3 842 548 853	3-23	3 842 551 612	3-25
3 842 548 120	2-81	3 842 548 778	2-24	3 842 548 854	3-23	3 842 551 613	3-27
3 842 548 121	2-79	3 842 548 779	2-24	3 842 548 855	3-23	3 842 552 131	12-43
3 842 548 122	2-79	3 842 548 780	2-22/23	3 842 548 856	3-24	3 842 552 132	12-43
3 842 548 123	2-79	3 842 548 781	2-22/23	3 842 548 857	3-24	3 842 552 133	12-43
3 842 548 126	2-82	3 842 548 782	2-28	3 842 548 858	3-24	3 842 552 134	12-43
3 842 548 127	2-82	3 842 548 783	2-28	3 842 548 859	3-24	3 842 552 135	12-43
3 842 548 128	2-84	3 842 548 784	2-31	3 842 548 860	3-25	3 842 552 174	12-44
3 842 548 129	2-76	3 842 548 785	2-31	3 842 548 861	3-25	3 842 552 175	12-44
3 842 548 130	2-76	3 842 548 786	2-31	3 842 548 862	3-25	3 842 552 176	12-44
3 842 548 131	2-83	3 842 548 787	2-31	3 842 548 863	3-25	3 842 552 177	12-44
3 842 548 132	2-84	3 842 548 788	2-32	3 842 548 864	3-26	3 842 552 240	11-7
3 842 548 700	3-42/43	3 842 548 789	2-32	3 842 548 865	3-26	3 842 552 245	11-7
3 842 548 701	3-43	3 842 548 790	2-33	3 842 548 866	3-26	3 842 552 246	11-7
3 842 548 702	3-44/45	3 842 548 792	2-36	3 842 548 867	3-26	3 842 552 247	11-6
3 842 548 703	3-45	3 842 548 793	2-36	3 842 548 868	3-27	3 842 552 248	11-6
3 842 548 704	3-42/43	3 842 548 794	2-46	3 842 548 869	3-27	3 842 552 249	11-5
3 842 548 705	3-43	3 842 548 795	2-46, 13-17, 13-24	3 842 548 870	3-28	3 842 552 250	11-5
3 842 548 706	3-44	3 842 548 796	2-37, 2-41	3 842 548 871	3-28	3 842 552 251	11-5
3 842 548 707	3-44/45	3 842 548 797	2-37, 2-41	3 842 548 872	3-28	3 842 552 252	11-5
3 842 548 708	3-46	3 842 548 798	2-40	3 842 548 873	3-28	3 842 552 253	11-5
3 842 548 709	3-46	3 842 548 799	2-40	3 842 548 874	3-29	3 842 552 254	11-5
3 842 548 710	3-47	3 842 548 800	2-40	3 842 548 875	3-29	3 842 552 255	11-5

20-6 Aluminum Framing 8.0 | Material number overview

3 842 552 256	11-5	3 842 990 355	2-56	3 842 992 418	2-48, 13-17	3 842 992 965	2-19
3 842 552 257	11-7	3 842 990 357	2-56	3 842 992 419	2-48	3 842 992 967	2-37
3 842 552 258	11-7	3 842 990 359	2-56	3 842 992 420	2-48	3 842 992 969	2-41
3 842 552 259	11-7	3 842 990 370	2-56	3 842 992 421	2-48	3 842 992 970	10-9
3 842 552 260	11-7	3 842 990 373	2-56	3 842 992 422	2-48	3 842 992 971	10-9
3 842 552 263	11-8	3 842 990 409	2-70, 12-35	3 842 992 423	2-48	3 842 992 972	10-9
3 842 552 265	11-8	3 842 990 416	2-50, 13-31, 13-38	3 842 992 425	2-37, 10-7	3 842 992 973	10-9
3 842 552 266	11-8	3 842 990 417	2-50	3 842 992 426	2-37	3 842 992 977	10-9
3 842 552 267	11-4	3 842 990 418	2-50	3 842 992 427	2-37	3 842 992 978	10-9
3 842 552 268	11-4	3 842 990 419	2-50	3 842 992 430	2-24	3 842 992 991	2-16
3 842 552 270	11-4	3 842 990 421	2-50	3 842 992 431	2-24	3 842 992 992	2-16
3 842 552 273	11-4	3 842 990 450	2-56	3 842 992 432	2-43, 13-12	3 842 992 999	2-40
3 842 552 275	11-4	3 842 990 453	2-56	3 842 992 433	2-43	3 842 993 001	2-40
3 842 552 421	12-7, 12-12	3 842 990 454	2-56	3 842 992 435	2-43	3 842 993 010	2-20
3 842 552 422	12-8/9/10, 12-12	3 842 990 464	2-56	3 842 992 436	2-43	3 842 993 011	2-21
3 842 552 423	12-7, 12-11	3 842 990 472	2-56	3 842 992 437	2-43	3 842 993 012	2-21
3 842 552 424	12-8/9/10/11	3 842 990 478	2-56	3 842 992 438	13-17/18	3 842 993 013	2-39
3 842 552 151	12-23, 12-26	3 842 990 481	2-56	3 842 992 440	13-24/25	3 842 993 014	2-39
3 842 553 967	6-22	3 842 990 500	2-49, 13-24	3 842 992 441	13-38/39	3 842 993 015	2-40
3 842 553 973	11-8	3 842 990 501	2-49	3 842 992 443	2-55	3 842 993 016	2-22
3 842 553 974	11-8	3 842 990 502	2-49	3 842 992 444	2-55	3 842 993 017	2-58
3 842 554 280	10-7, 10-15	3 842 990 505	2-49	3 842 992 445	2-55	3 842 993 018	2-58
3 842 554 281	10-7, 10-12	3 842 990 507	2-49	3 842 992 446	2-55	3 842 993 019	2-58
3 842 554 282	10-6	3 842 990 517	2-41	3 842 992 447	2-55	3 842 993 020	2-58
3 842 554 283	10-6, 10-12, 10-16, 19-13	3 842 990 518	2-41	3 842 992 448	2-55	3 842 993 029	12-28
3 842 554 284	10-6, 10-14, 19-13	3 842 990 519	2-41	3 842 992 449	2-55	3 842 993 033	2-24
3 842 554 285	10-6, 10-14/15, 19-13	3 842 990 520	2-41	3 842 992 452	2-43	3 842 993 052	12-42
3 842 849 791	2-33	3 842 990 521	2-41	3 842 992 453	2-43	3 842 993 061	13-7/8
3 842 990 087	2-52	3 842 990 570	2-42, 13-7	3 842 992 457	2-22	3 842 993 062	13-17/18
3 842 990 090	2-52	3 842 990 571	2-42	3 842 992 458	2-22	3 842 993 071	2-65
3 842 990 091	2-52	3 842 990 572	2-42	3 842 992 459	2-22	3 842 993 072	2-65
3 842 990 092	2-49	3 842 990 573	2-42	3 842 992 460	2-22	3 842 993 073	2-65
3 842 990 093	2-49	3 842 990 575	2-42	3 842 992 462	2-22	3 842 993 077	2-17
3 842 990 094	2-49	3 842 990 584	2-42	3 842 992 463	2-22	3 842 993 078	2-25
3 842 990 097	2-56	3 842 990 640	2-41	3 842 992 473	2-51	3 842 993 079	2-52
3 842 990 098	2-56	3 842 990 642	2-41	3 842 992 474	2-51	3 842 993 080	13-31/32
3 842 990 099	2-56	3 842 990 644	2-41	3 842 992 475	2-51	3 842 993 081	2-50, 13-31
3 842 990 111	9-5	3 842 990 646	2-41	3 842 992 476	2-24	3 842 993 082	2-49, 13-24
3 842 990 115	8-24	3 842 990 648	2-41	3 842 992 493	2-59	3 842 993 083	2-49
3 842 990 116	8-24	3 842 990 670	2-42	3 842 992 676	2-68, 12-34	3 842 993 084	2-43, 13-12
3 842 990 292	2-52	3 842 990 672	2-42	3 842 992 857	2-50	3 842 993 085	2-42, 13-7
3 842 990 300	2-45	3 842 990 674	2-42	3 842 992 858	2-50	3 842 993 120	2-28
3 842 990 301	2-45	3 842 990 688	2-42	3 842 992 859	2-50	3 842 993 121	2-28
3 842 990 302	2-45	3 842 990 690	2-42	3 842 992 860	2-50	3 842 993 122	2-28
3 842 990 303	2-45	3 842 990 720	2-19	3 842 992 861	2-50	3 842 993 123	2-28
3 842 990 304	2-45	3 842 990 721	2-19	3 842 992 864	2-50	3 842 993 124	2-28
3 842 990 305	2-45	3 842 990 722	2-19	3 842 992 884	2-69, 12-34	3 842 993 125	2-28
3 842 990 307	2-45	3 842 990 723	2-19	3 842 992 888	2-14	3 842 993 126	2-28
3 842 990 309	2-45	3 842 990 724	2-19	3 842 992 889	2-15	3 842 993 127	2-36
3 842 990 311	2-45	3 842 990 725	2-19	3 842 992 890	2-15	3 842 993 128	2-36
3 842 990 313	2-45	3 842 990 726	2-19	3 842 992 891	2-16	3 842 993 129	2-28
3 842 990 323	2-45	3 842 992 373	2-49	3 842 992 896	2-21	3 842 993 130	2-32
3 842 990 325	2-45	3 842 992 375	2-42	3 842 992 897	2-40	3 842 993 131	2-32
3 842 990 329	2-45	3 842 992 376	2-42	3 842 992 898	2-50, 13-38	3 842 993 132	2-32
3 842 990 331	2-45	3 842 992 378	2-50	3 842 992 903	2-65, 12-35	3 842 993 133	2-34
3 842 990 335	2-46, 13-17, 13-24	3 842 992 387	2-47	3 842 992 913	2-57	3 842 993 134	2-34
3 842 990 336	2-46	3 842 992 388	2-47	3 842 992 924	2-15	3 842 993 135	2-32
3 842 990 339	2-46, 13-17	3 842 992 397	2-19	3 842 992 925	13-12/13	3 842 993 136	2-32
3 842 990 342	2-46	3 842 992 398	2-20	3 842 992 926	2-22	3 842 993 137	2-32
3 842 990 344	2-46	3 842 992 399	2-19	3 842 992 927	2-46, 13-31, 13-38	3 842 993 138	2-32
3 842 990 345	2-52	3 842 992 400	2-20	3 842 992 928	2-46, 13-31	3 842 993 139	2-33
3 842 990 346	2-52	3 842 992 401	2-38	3 842 992 945	2-40	3 842 993 140	2-33
3 842 990 347	2-52	3 842 992 402	2-38	3 842 992 946	2-67, 12-4	3 842 993 141	2-33
3 842 990 350	2-56	3 842 992 403	2-38	3 842 992 953	2-37	3 842 993 142	2-33
3 842 990 351	2-56	3 842 992 404	2-39	3 842 992 954	2-37	3 842 993 143	2-34
3 842 990 352	2-56	3 842 992 411	2-60	3 842 992 956	2-37	3 842 993 144	2-34
3 842 990 353	2-56	3 842 992 412	2-61	3 842 992 960	2-37	3 842 993 145	2-34
3 842 990 354	2-56	3 842 992 415	2-48, 13-17	3 842 992 961	2-49	3 842 993 146	2-34
		3 842 992 416	2-48	3 842 992 962	2-56	3 842 993 147	2-34
		3 842 992 417	2-48	3 842 992 963	2-56	3 842 993 148	2-34

3 842 993 149	2-34	3 842 993 321	12-25	3 842 994 821	13-17, 13-22,	8 981 535 323	12-8
3 842 993 150	2-34	3 842 993 322	12-25		13-24, 13-29	8 981 535 324	12-8
3 842 993 151	2-34	3 842 993 336	2-64	3 842 994 832	12-38	8 981 535 478	12-9
3 842 993 152	2-36	3 842 993 337	2-64	3 842 994 839	12-36	8 981 535 479	12-9
3 842 993 153	2-36	3 842 993 359	2-62	3 842 994 863	16-4	8 981 535 325	12-10
3 842 993 154	2-36	3 842 993 411	2-62	3 842 994 889	12-39	8 981 535 326	12-10
3 842 993 155	2-36	3 842 993 420	2-22	3 842 994 907	12-40	8 981 535 890	12-8/9/10, 12-12
3 842 993 156	2-53	3 842 993 421	2-14	3 842 994 979	2-89	8 981 535 891	12-7, 12-11
3 842 993 157	2-53	3 842 993 422	2-14	3 842 994 988	12-29	R980 024 883	4-9
3 842 993 158	2-53	3 842 993 423	2-35	3 842 994 989	12-29	R999 000 396	1-9
3 842 993 159	2-53	3 842 993 424	2-32	3 842 995 007	12-31	R999 000 401	12-45
3 842 993 160	2-53	3 842 993 425	8-23	3 842 995 008	12-29		
3 842 993 161	2-53	3 842 993 426	8-23	3 842 995 017	12-31		
3 842 993 162	2-53	3 842 993 427	8-26	3 842 995 027	2-68, 12-20		
3 842 993 163	2-53	3 842 993 428	8-26	3 842 996 191	2-76		
3 842 993 164	2-53	3 842 993 429	8-26	3 842 996 192	2-76		
3 842 993 165	2-53	3 842 993 430	8-26	3 842 998 495	13-6		
3 842 993 166	2-49	3 842 993 431	12-25	3 842 998 496	13-11		
3 842 993 167	2-53	3 842 993 432	12-25	3 842 998 497	13-16		
3 842 993 168	2-53	3 842 993 434	2-51	3 842 998 498	13-23		
3 842 993 169	2-53	3 842 993 435	2-51	3 842 998 499	13-30		
3 842 993 170	2-53	3 842 993 436	2-51	3 842 998 500	13-37		
3 842 993 171	2-54	3 842 993 449	2-47	8 981 003 224	3-34		
3 842 993 172	2-54	3 842 993 450	2-43	8 981 004 744	2-37		
3 842 993 173	2-54	3 842 993 489	2-73	8 981 004 773	2-37		
3 842 993 174	2-54	3 842 993 493	2-14	8 981 005 305	3-41		
3 842 993 175	2-54	3 842 993 494	2-14	8 981 005 306	3-41		
3 842 993 176	2-54	3 842 993 495	2-14	8 981 016 122	3-4		
3 842 993 177	2-54	3 842 993 496	2-14	8 981 016 123	3-4		
3 842 993 178	2-55	3 842 993 497	2-16	8 981 016 124	3-4		
3 842 993 179	2-55	3 842 993 498	2-16	8 981 019 448	3-62		
3 842 993 180	2-55	3 842 993 499	2-16	8 981 019 449	3-62		
3 842 993 181	2-55	3 842 993 500	2-16	8 981 019 450	3-62		
3 842 993 182	2-55	3 842 993 501	2-16	8 981 019 452	3-62		
3 842 993 183	2-55	3 842 993 511	12-28	8 981 019 455	3-62		
3 842 993 184	2-31	3 842 993 512	12-28	8 981 019 457	3-62		
3 842 993 185	2-28	3 842 993 621	2-49	8 981 019 458	3-62		
3 842 993 186	2-28	3 842 993 628	2-48	8 981 019 461	3-62		
3 842 993 187	2-29	3 842 993 635	2-44	8 981 019 573	4-9		
3 842 993 188	2-29	3 842 993 644	2-44	8 981 019 577	3-8		
3 842 993 189	2-29	3 842 993 653	2-35	8 981 019 578	3-8		
3 842 993 190	2-29	3 842 993 654	2-33	8 981 019 579	3-8		
3 842 993 191	2-29	3 842 993 658	2-35	8 981 019 580	3-5		
3 842 993 192	2-29	3 842 993 887	16-3	8 981 020 861	3-4		
3 842 993 193	2-33	3 842 993 952	13-12/13	8 981 021 023	3-22		
3 842 993 194	2-54	3 842 993 966	13-7/8	8 981 021 127	6-25		
3 842 993 195	2-30	3 842 993 967	13-12/13	8 981 021 129	6-25		
3 842 993 196	2-54	3 842 993 968	13-17/18,	8 981 021 140	6-25		
3 842 993 197	2-30		13-24/25	8 981 021 301	3-40		
3 842 993 198	2-30	3 842 993 969	13-31/32,	8 981 021 302	3-40		
3 842 993 199	2-54		13-38/39	8 981 021 321	3-5		
3 842 993 200	2-54	3 842 994 000	12-43	8 981 021 322	3-5		
3 842 993 201	2-36	3 842 994 001	12-43	8 981 021 323	3-5		
3 842 993 202	2-36	3 842 994 635	12-42	8 981 021 324	3-5		
3 842 993 203	2-36	3 842 994 659	13-7, 13-10	8 981 021 343	3-8		
3 842 993 204	2-36	3 842 994 662	13-31, 13-36,	8 981 021 344	3-8		
3 842 993 225	2-33		13-38, 13-43	8 981 021 345	3-8		
3 842 993 226	2-36	3 842 994 702	13-20, 13-27,	8 981 021 346	3-8		
3 842 993 227	2-55		13-34, 13-41	8 981 021 347	3-8		
3 842 993 228	2-54	3 842 994 711	13-12, 13-15	8 981 021 348	3-24		
3 842 993 229	2-36	3 842 994 742	10-6	8 981 021 440	3-10		
3 842 993 230	2-14	3 842 994 744	10-7	8 981 021 441	3-10		
3 842 993 231	2-14	3 842 994 745	10-7	8 981 021 442	3-10		
3 842 993 256	2-31	3 842 994 783	10-6	8 981 021 464	3-7		
3 842 993 257	2-31	3 842 994 784	10-7	8 981 021 465	3-7		
3 842 993 259	2-69, 12-35	3 842 994 785	10-7	8 981 021 554	3-8		
3 842 993 306	12-45, 16-4	3 842 994 811	13-48	8 981 021 555	3-8		
3 842 993 308	6-15	3 842 994 812	13-48	8 981 500 290	6-25		
3 842 993 316	2-68, 12-20	3 842 994 813	13-48	8 981 535 476	12-7		
3 842 993 317	2-72			8 981 535 477	12-7		

Index

A					
Accessories for					
protective equipment	9-1				
Adjustable Height Table					
Frame Kit	6-25				
Adjustment unit	12-45				
Air-supply elements	5-1				
Angle profile	2-61				
Anti-torsion element	3-41				
Assembly systems catalog	1-9				
Attachment kit for safety switch	10-20				
B					
Ball catch	9-8				
Base plate					
– 120x120	6-11				
– 135x135	6-10				
– 150x150	6-11				
– 270x360	6-10				
– Steel	6-8				
Bearing pedestal	4-10				
Beveling shears	14-7				
Bolt connectors	3-59				
Bow-type handle	8-17				
Brackets	2-71, 3-19				
– R	3-30				
– S	7-8				
Bump stop	9-5				
C					
Cable bracket	11-9				
Cable duct					
– AL	11-3				
– PA	11-2				
Cam roller guide LF12C					
– Complete axis	13-23				
– Components	13-24				
Cam roller guide LF12S					
– Complete axis	13-16				
– Components	13-17				
Cam roller guide LF20C					
– Complete axis	13-37				
– Components	13-38				
Cam roller guide LF20S					
– Complete axis	13-30				
– Components	13-31				
Cam roller guide LF6C					
– Complete axis	13-11				
– Components	13-12				
Cam roller guide LF6S					
– Complete axis	13-6				
– Components	13-7				
Cam roller guides LF...C	13-5				
Cam roller guides LF...S	13-4				
Center shafts	13-47				
Central bolt	3-40				
Clamp bushing	7-13				
Clamping element	10-19				
Clamping lever					
– For joints	4-12				
– For lateral guides	16-13				
Clamping profile	2-58				
Cloth holder	2-89				
Collar screw	3-6				
Components					
– For ESD applications	17-1, 17-2				
– For lateral guides	16-1, 16-2				
– For height adjustment					
45x45 and 45x60	12-43				
Components for sliding door	12-4				
Connection elements					
– Overview	3-1				
– Selection criteria	3-3				
Connection piece	5-4				
Connection screw fitting M12-1/4"	5-4				
Connector 45°	3-52				
Construction of conveyor					
sections, elements for	12-19				
Container mount	2-63				
Conveyor media,					
profiles for the installation of	2-68				
Conveyor sections					
– Made of SP2 section					
profiles and accumulation					
roller chains	12-39				
– Made of SP4/R section					
profiles and accumulation					
roller chains	12-36				
– elements for the					
construction of	12-19				
Conveyor track					
– EcoFlow	12-28				
– Lean	12-20				
– XLean	12-25				
Conveyor track made					
of section profiles					
and roller elements	12-34				
Corner bracket	3-46				
Counterbalance	9-2				
Cover cap	2-85, 3-40,				
	3-53, 3-55, 8-24				
– Made of diecast zinc	2-85				
– With hole	2-85				
Cover profiles	2-86				
Cover strip profile	7-10				
Cubic connector	3-42				
D					
Damping ring	6-4				
Deflection of the profiles	19-4				
Dimensioning of					
synchronous shafts	13-55				
Door handle	8-14				
Door handle profile	8-26				
Door lock	8-12				
– For EcoSafe sliding doors	8-13				
– For swing doors	8-16				
Doors and fittings	8-1				
Double ball stop latch	9-7				
Double wheel	6-16				
Drilling jigs	14-2				
Drive for the linear guides	13-44				
E					
eShop	2-11				
Earthing terminal	10-18				
EcoFlow stop gate					
and return stop	12-31				
EcoSafe assembly kit					
– Double door	10-16				
– Sliding door with					
superstructure	10-14				
– System door	10-12				
EcoSafe components for					
building protective fences	10-4				
EcoSafe protective frame	10-6				
– Load-bearing capacity data	19-13				
EcoSafe sliding door					
without superstructure	10-15				
EcoSafe support					
– Load-bearing capacity data	19-13				
EcoShape	2-74				
EcoSlide	12-6				
Edge protector	8-26				
Elements					
– For manual movement	12-1				
– For the construction					
of conveyor sections	12-19				
End connector	3-48				
End piece	8-24				
ESD applications,					
components for	17-1, 17-2				
F					
Flat panel monitor	4-9				
Feet and wheels	6-1				
FiFo station	15-2				
Flange	13-45				
Flange nut	3-7				
Flanged plate	5-3				
Flexible grinder for					
anodized surfaces	14-7				
Floor dowels	6-12				
Folding door element	8-10				
Foot	6-4, 6-12				
– AL	6-12				
– Stainless steel	6-14				
Foundation bracket	3-34				
Frame profile					
– 22.5x30	2-59				
– 22.5x45	2-60				
G					
Grab container base	2-65				
Grab ledge	2-65				

H		M			
Handle bar	9-5	Magnet catch	9-6	Retainer ring	7-9
Heavy duty wheel	6-20	Manual movement, elements for	12-1	Round tube D28	2-71
Height adjustment	12-43	Material chute	2-65	Rubber profile	2-89
Hinge	8-4	Material number overview	20-1	S	
– Aluminum	8-6	Metal bracket	3-33	Safety catch	9-4
– Plastic	8-5	Miter bracket	3-18	Safety handle	8-18
– LIFTOFF	8-7	Modular leveling feet	6-2	Safety kit, Safety Strip	10-10
– Removable	8-8	Mortise lock	8-14	Safety switch, attachment kit for	10-20
– Adjustable	8-9	Mounting rim profile	7-2	Seal	5-6
Hinge profile	8-3	– Clean	7-3	Sealing profile	8-20
Holder		Mounting unit	4-9	Sealing strip	8-19
– AL	3-35	Mounting with coupling	13-46	Selection guide	
– For lateral guide, fixed	16-6	MTpro	1-8, 2-11	– Wheel	6-18
– For lateral guide, variable	16-8	Multi-slider	12-16	Slide hanger	12-2
I		P		Slider	8-21
Inner bracket	3-15	Parallel connector	3-13	Slider	
– R	3-16	Potential equalizer	7-11	– for surface element	12-3
Installation elements	11-1	Pinion	12-18	– for profiles	12-13
J		Planning software	1-8	Slider, flat lockable	12-11
Joining plates	3-62	Planning tool LF-MGE	13-57	Sliding block	3-10
Joint		Plate	6-6	– Swivel-in	3-11
– 30x30	4-3	Profile connection		Sliding door, components for	12-4
– 40x40	4-4	load-bearing capacity	19-6	Sliding door profile	
– 40x40 support	4-4	Profile connector	3-39	– Al 45	8-24
– 45x45	4-5	Profile finishing	2-10, 2-12	– Al Clip	8-23
– 45x45 support	4-5	Profiles for the installation		– PVC	8-22
– 60x45	4-6	of conveyor media	2-68	Slotted plate 30x100	2-64
– 60x60	4-6	Profile rails	2-67	Software	1-8
Joint 45x45 lockable	4-2	– For lateral guides	16-3	Spring	3-11
Joints, overview	4-1	Profile slot load-bearing capacity	19-5	Spring clamping element	10-21
L		Protective devices and		Spring hook	12-2
Lateral guides,		partition walls EcoSafe	10-1	Standards for protective	
– components for	16-1, 16-2	Protective fences,		equipment	10-2
– profile rails for	16-3	EcoSafe components		Star knob	4-12
– holders for, fixed	16-6	for construction of	10-4	Steel bracket	3-32
– holders for, variable	16-8	Protective grille profiles	7-12, 10-8	Straddling nut	3-12
Lettering clips	2-88	Protective pane profile		Strut profile D28x55	2-73
Leveling foot	6-4	– PVC	7-4	Strut profiles	2-2
Lifting wheel	6-22	– Clean	7-5	– With slot 6 mm,	
Linear guides	13-1	Proximity switch		modular dimension 20 mm	2-13
– Sizes, designs, and loads	13-3	– Ø 6.5 x 30 mm	18-8	– With slot 8 mm,	
– Technical data, LF, design,		– M12x50	18-9	modular dimension 30 mm	2-18
mounting	13-49	Q		– With slot 10 mm	2-26
– Overview	13-2	Quick connector		– With slot 10 mm,	
Load-bearing capacity data		– Bendable: end–slot	3-57	modular dimension 40 mm	2-28
– For EcoSafe protective frame	19-13	– Bendable: end–end	3-56	– With slot 10 mm,	
– For EcoSafe support	19-13	– Slot 6 mm, 0°, 90°	3-53	modular dimension 45 mm	2-37
Load-dependent size selection	13-50	– Slot 8/10 mm, 0°	3-54	modular dimension 50 mm	2-53
Lock for swing and sliding doors	8-11	– Slot 8/10 mm, 90°	3-55	– With slot 10 mm,	
Lock mechanism for double door	10-17	Quick & Easy	2-11	modular dimension 60 mm	2-55
Longitudinal end connection	5-5	Quick-lock	11-10	– Slot sizes and	
Longitudinal end connector	3-58	R		modular dimensions	2-3
Longitudinal end connector		Rack	12-18	– Technical data	19-2
45 Pneu	5-6	Radial compensation	2-87	– Overview	2-1
		Rectangular tube	2-57	Stop	18-10
		Refill end-pieces	2-65	Support of surface elements	7-1
				Support rollers	12-17
				Supporting arm joint	4-8

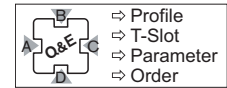
Supporting brackets	3-33
– AL	3-37
– AL, lateral	3-38
Surface elements, support of	7-1
Suspension bracket	10-10
Suspension piece for frames	10-22
Suspension profile	2-62
Switch bracket	
– SH 1/S	18-2
– SH 1/U	18-3
– SH 2/S	18-4
– SH 2/S-H	18-5
– SH 2/ST	18-4
– SH 2/U	18-6
– SH 2/U-H	18-7
Swivel bearing	4-7
Swivel fastening, 180°	4-11
Synchronous shafts	13-47
T	
T-bolt	3-7
T-connectors	
– Profiles	2-71
– Connecting elements	3-50
– 45 Pneu	5-6
T-nut	3-4
Technical data	19-1
– Profiles	2-4
– LF, design, mounting	13-49
– Strut profiles	19-2
Tensioning connector	3-14
Threaded sleeve	6-7
Tilt lever	10-11
Tool holder	14-8
Tool shelf	14-8
Tools	14-1
Torx® offset screwdriver	14-6
Transverse connector	3-61
Trolley	2-67
U	
Universal plate	7-11
V	
Variofix block	7-6
Variofix block S	7-7
Variofix remover	14-7
W	
Washer	6-12
Wheel	6-17
– With mounting flange	6-23

Coming in January 2017

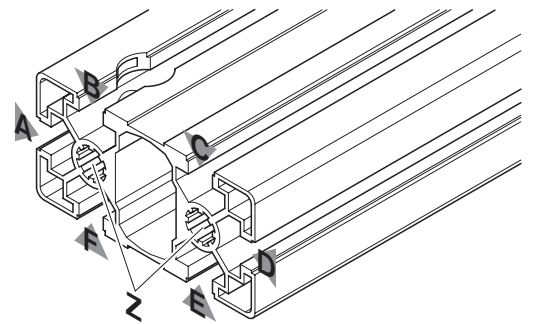
Quick & Easy profile finishes

Logical structure of the order key

Material number / length / [slot designation = finishing; parameter set]



Example: Profile 45x90L with through-hole D17 in slot B



3 842 993 662 / 393 / B = D17/-

Material number	Length	Standard profile finishes
3 842 993 662	393	D17 through-hole in slot B

Standard profile finishes

- ▶ Through-hole drilling D
- ▶ Blind hole drilling DB
- ▶ Thread cutting M
- ▶ Standard milling F1

Individual profile finishes

- ▶ Hole drilling DI
- ▶ Drilling sequence DIS
- ▶ Cross milling MT
- ▶ Cross milling sequence MTS
- ▶ Lengthwise milling MI
- ▶ Lengthwise milling sequence MIS
- ▶ Miter cutting S1 / S3



You can configure your profile really quickly and easily in the Rexroth eShop or with the profile configurator in *MTpro*



Standard profile finishes





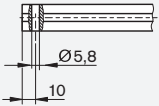
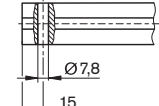
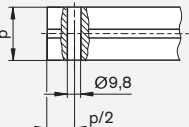

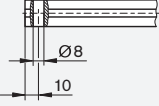
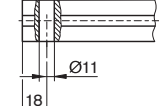
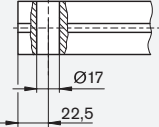
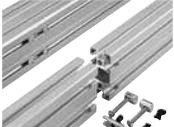
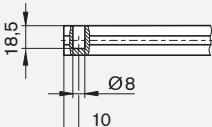
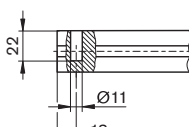
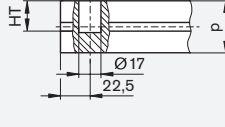

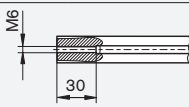
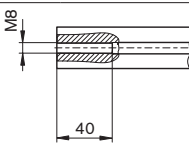
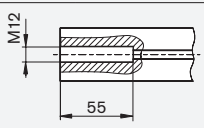
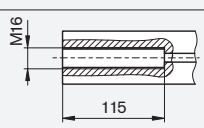
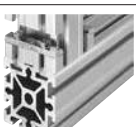
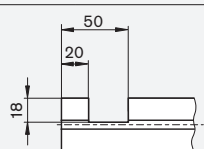
Order syntax for through-holes, blind holes, standard milling

Material number / length / slot designation = finishing at profile start / finishing at profile end; ...




Order syntax for threads

Material number / length / Z = Mx at profile start / Mx at profile end

Standard profile finishes

		Slot 6 mm 	Slot 8 mm 	Slot 10 mm 										
Through-hole for corner connections with central bolt		D5.8 	D7.8 	D9.8 										
Through-hole for bolt connectors and quick connectors		D8 	D11 	D17 										
Blind hole for longitudinal end connectors and quick connectors in closed profiles		DB8 	DB11 	DB17  <table border="1" data-bbox="1158 1108 1430 1172"> <tr> <td>p</td> <td>40</td> <td>45</td> <td>50</td> <td>60</td> </tr> <tr> <td>HT</td> <td>31</td> <td>34</td> <td>36</td> <td>41</td> </tr> </table>	p	40	45	50	60	HT	31	34	36	41
p	40	45	50	60										
HT	31	34	36	41										
Thread in all central holes for accessories		M6 	M8 	M12  M16 										
Standard milling for cross connectors				F1 										

Minimum profile lengths (mm) for standard profile finishes on one or both sides

	-	M6	D5.8	D8/ DB8		-	M8	D7.8	D11/ DB11		-	M12	M16	D9.8	D17/ DB17	F1
-	50	50	50	50	-	50	50	50	50	-	50	60	120	50	60	60
M6	50	70	50	70	M8	50	80	62	70	M12	60	110	180	90	60	110
D5.8	50	50	50	50	D7.8	50	62	60	50	M16	120	180	240	150	170	170
D8/ DB8	50	50	50	50	D11/ DB11	50	70	50	60	D9.8	50	90	150	80	70	90
										D17/ DB17	60	90	150	70	80	90
										F1	60	110	170	90	90	80

Notice: In the case of clashes with the values in the order table, the larger value applies.

Drilling DI, drilling sequence DIS

Material number / length / [slot designation=DI; PS=...; OS=...; DM=...; HT=...]; [...]

Material number / length / [slot designation=DIS; PS=...; OS=...; DM=...; HT=...; SN=...; SD=...]; [...]

End finishing	Parameter	Order example for profile 45x90L
Hole DI 	PS Center point of hole $PS_{min} = DM/2 + 3 \text{ mm};$ $PS_{max} = L - (DM/2 + 3 \text{ mm})$	 3 842 993 662 / 393 / [B=DI; PS=60; OS=22.5; DM=9.8]
	OS Offset start point (optional) Select OS so that the hole does not cut through any slot edges	
	DM DM hole diameter DM; see table.	
	HT Depth of hole (optional) Through-holes made if no information provided HT_{max} see table	
Drilling sequence DIS 	PS, OS, DM, HT As for DI hole drilling	 3 842 993 662 / 393 / [B=DIS; PS=60; OS=22.5; DM=9.8; SN=4; SD=35]
	SN Number of finishes $SN_{max} = INT((L - 3 \cdot PS - DM/2) / SD) + 1$	
	SD Distance between adjacent finishes $SD_{min} = DM + 3$	

Permissible hole diameters, permissible hole depths (in mm)

DM	5.8	6.4	7.8	8.0	8.4	9.8	11.0	17.0
HT _{max}	40.0	45.0	45.0	45.0	45.0	50.0	60.0	75.0

ATTENTION: If HT_{max} is not sufficient to drill through the profile, you must order two opposite bores!

Cross milling MT, cross milling sequence MTS

Material number / length / [slot designation=MT; PS=...; HT=...; PE=...]; [...]

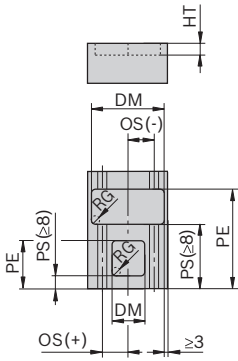
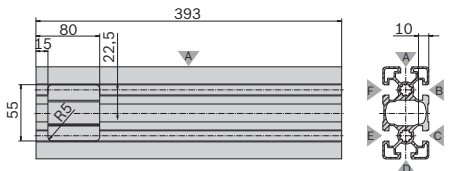
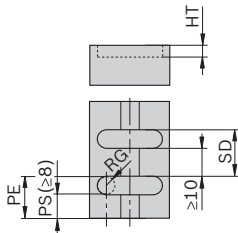
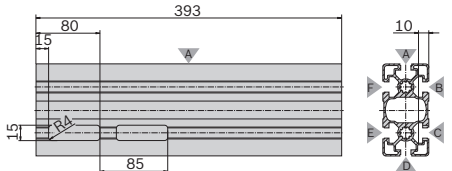
Material number / length / [slot designation=MTS; PS=...; HT=...; PE=...; SN=...; SD=...]; [...]

End finishing	Parameter	Order example for profile 45x90L
Cross milling MT 	PS Starting point of milling $PS_{min} = 8 \text{ mm}; PS_{min} = 60 \text{ mm}$ on the underside of the profile	 3 842 993 662 / 393 / [D=MT; PS=50; HT=12.5; PE=90]
	HT Depth of milling $HT_{max} = 5.5 \text{ mm}$ (slot 6 mm) $HT_{max} = 9.0 \text{ mm}$ (slot 8 mm) $HT_{max} = 12.5 \text{ mm}$ (slot 10 mm)	
	PE End point of milling $PE_{max} = L - 8 \text{ mm}; 8 \text{ mm} \leq PE - PS \leq 100 \text{ mm}$	
Cross milling sequence MTS 	PS, HT, PE As for cross milling MT	 3 842 993 662 / 393 / [D=MTS; PS=50; HT=12.5; PE=90; SN=4; SD=53]
	SN Number of finishes $SN_{max} = INT((L - 8 - PE) / SD) + 1$	
	SD Distance between adjacent finishes $SD_{min} = (PE - PS) + 10$	

Lengthwise milling MI, lengthwise milling sequence MIS

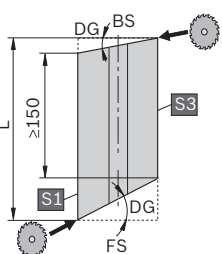
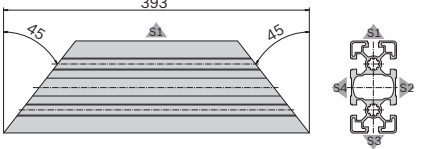
Material number / length / [slot designation=MI; PS=...; OS=...; DM=...; HT=...; PE=...; RG=...]; [...]

Material number / length / [slot designation=MIS; PS=...; OS=...; DM=...; HT=...; PE=...; RG=...; SN=...; SD=...]; [...]

End finishing	Parameter	Order example for profile 45x90L
Lengthwise milling MI 	PS Starting point of milling $PS_{min} = 8 \text{ mm}$ $PS_{min} = 60 \text{ mm}$ on the underside of the profile (see order tables for guidance)	 3 842 993 662 / 393 / [B=MI; PS=15; OS=22.5; DM=55; HT=10; PE=80; RG=5]
	OS Offset starting point (optional)	
	DM Milling width $DM_{min} = 8 \text{ mm};$ $DM_{max} = \text{profile width/height} - 6 \text{ mm}$ At least 3 mm of profile must remain on both sides	
	HT Depth of milling. $HT_{max} = 5.5 \text{ mm}$ (slot 6 mm) $HT_{max} = 9.0 \text{ mm}$ (slot 8 mm) $HT_{max} = 12.5 \text{ mm}$ (slot 10 mm)	
	PE End point of milling $PE_{max} = L - 8 \text{ mm}$ $8 \text{ mm} \leq PE - PS \leq 100 \text{ mm}$	
	RG Radius of milling geometry RG = 3 mm; 4 mm; 5 mm; 8 mm	
Lengthwise milling sequence MIS 	PS, OS, DM, HT, PE, RG As for lengthwise milling MI	 3 842 993 662 / 393 / [C=MIS; PS=15; DM=15; HT=10; PE=80; RG=4; SN=2; SD=85]
	SN Number of finishes $SN_{max} = \text{INT}(L - 8 - PE / SD) + 1$	
	SD Distance between adjacent finishes $SD_{min} = (PE - PS) + 10$	

Miter cutting

Material number / length/[FS=side; DG=miter angle]; [BS=side; DG=miter angle]

End finishing	Parameter	Order example for profile 45x90L
Miter cutting 	FS Front side S1, S3 – profile side on which the miter cut begins	 3 842 993 662 / 393 / [FS=S3; DG=45]; [BS=S3; DG=45]
	BS Back side S1, S3 – profile side on which the miter cut begins	
	DG Miter bracket $DG > 0$ The angle is always specified as a positive value. Note the maximum permissible miter angle (see order tables)	

Bosch Rexroth AG

Postfach 30 02 07
70442 Stuttgart, Germany
www.boschrexroth.com

You can find local contact information at:

www.boschrexroth.com/contact