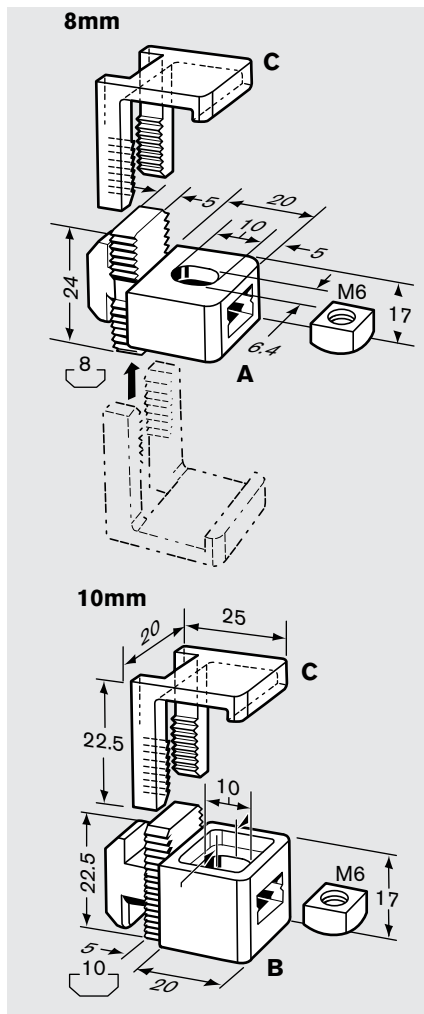


## Section 6: EcoSafe™ Guarding and Machine/Safety Enclosures

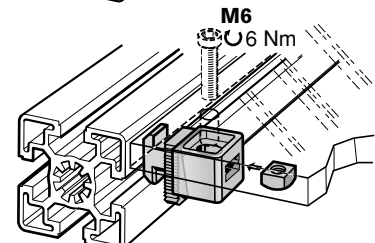
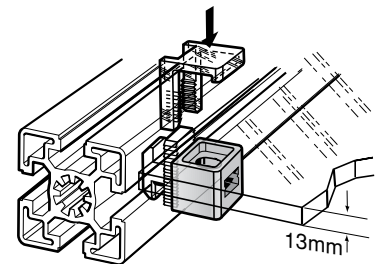
## Other Guarding Components

Variofix Panel Mounting Fasteners  **GoTo****Features:**

- Used for mounting panels, panes, and plates up to 13mm thick to 8mm or 10mm T-slotted profiles
- Panels can be mounted after the frame structure is completed
- Sturdy construction
- Quick installation—fastener twist-locks into place in the profile's T-slot
- Panels can be secured in one of two ways: with the detent clip, or with M6 screws and nut (M6 nut pre-installed, contact your distributor for appropriate length M6 screws)
- Variofix puller tool (sold separately, see Section 16: Tools for details) simplifies detent clip removal

**Material:**

- Variofix fastener: black polyamide
- Detent clips: clear plastic

**Mounting Methods**

Description	Lot Size*	Part Number
<b>A</b> 8mm Variofix fastener <b>without</b> clip	10	<b>3 842 535 696</b> <i>GoTo</i>
<b>B</b> 10mm Variofix fastener <b>without</b> clip	10	<b>3 842 529 239</b> <i>GoTo</i>
<b>C</b> 8mm & 10mm Variofix detent clip	10	<b>3 842 184 738</b> <i>GoTo</i>
Variofix puller tool (see Section 16: Tools for details)	1	<b>3 842 526 589</b>

\* For smaller quantities, please contact your local distributor.