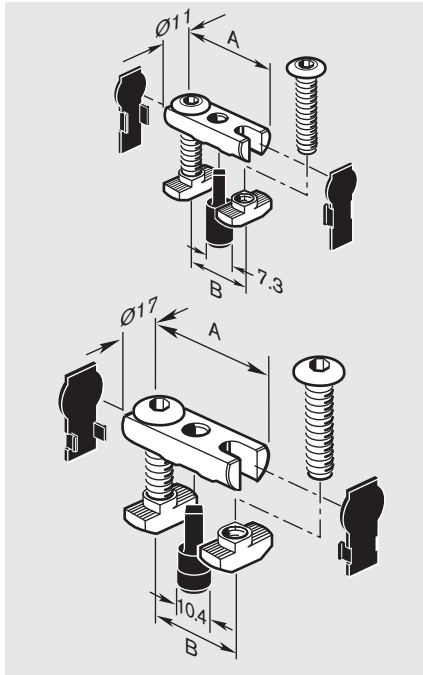


Section 3: Profile Connectors

**Bolt Connector Kits – Type 1**  **GoTo**



Bolt Connector Size	Dimension in mm			
	A	B	ØC	D
30mm	30	18	11	18
40mm	40	23	17	22.5
45mm	45	28	17	22.5
50mm	50	33	17	22.5
60mm	60	43	17	22.5
80mm	80	63	17	22.5
90mm	90	73	17	22.5
100mm	100	83	17	22.5

**Features:**

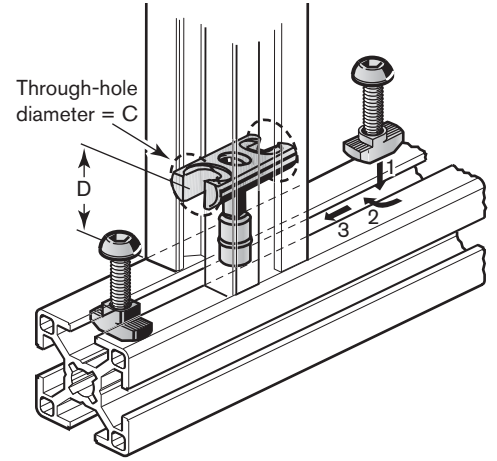
- Provides strongest right-angle connection
- Centering pin eases alignment and assembly
- Includes two cover caps to create neat, finished appearance
- Obscures profile T-slot: panels or panes must be trimmed

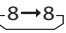
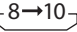
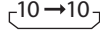
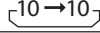
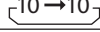


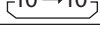

**Machining Required:**

- Through hole in one profile: see chart

**Material:**

- Bolt connector: zinc-plated 8.8 steel
- Cover caps and alignment pin: black polyamide 6



Description	Lot Size*	Part Number
30mm bolt connector kit for 	10	3 842 535 624
30mm bolt connector kit for 	10	3 842 535 583
40mm bolt connector kit 	10	3 842 535 620
45mm bolt connector kit 	10	3 842 500 921 <b>GoTo</b>
50mm bolt connector kit 	10	3 842 535 621
60mm bolt connector kit 	10	3 842 500 922
80mm bolt connector kit 	10	3 842 535 622
90mm bolt connector kit 	10	3 842 500 923 <b>GoTo</b>
100mm bolt connector kit 	10	3 842 535 618

\* For smaller quantities, please contact your local distributor.