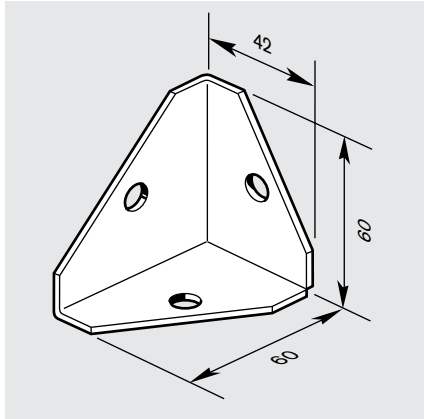


Section 3: Profile Connectors

Other 90° Right-Angle Connectors -

Sheet Metal Gusset-42x60 1

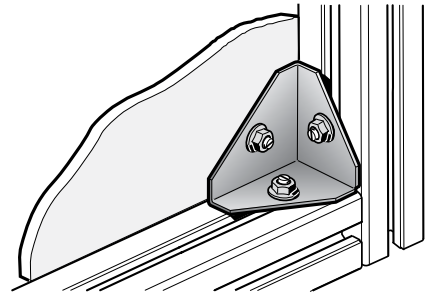


Features:

- Used with 45-series profile to create a right-angle connection
- Hole in side can be used for attaching panels, tabletops, etc.

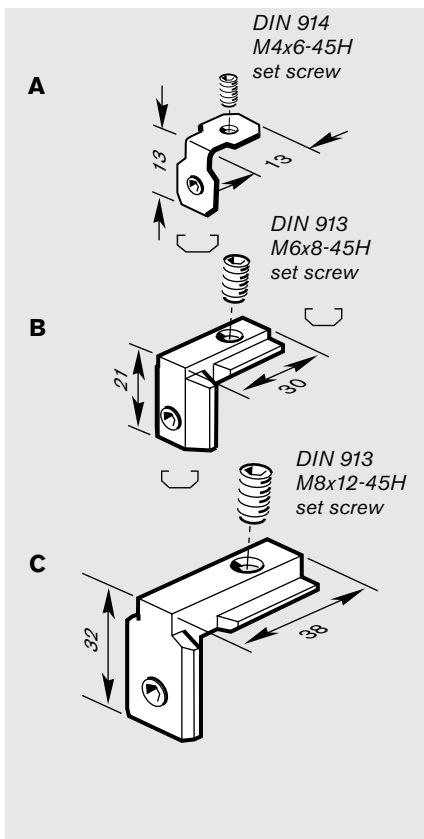
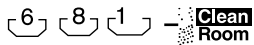
Material:

- Zinc-plated sheet steel



Description	Lot Size	Part Number
42x60 sheet metal gusset	1	3 842 146 813

6mm, 8mm, & 10mm Inside-to-Outside Gussets

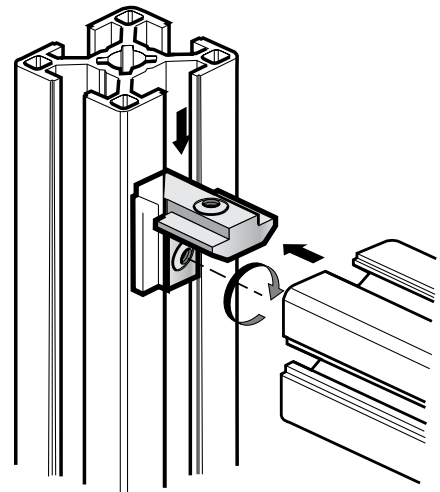
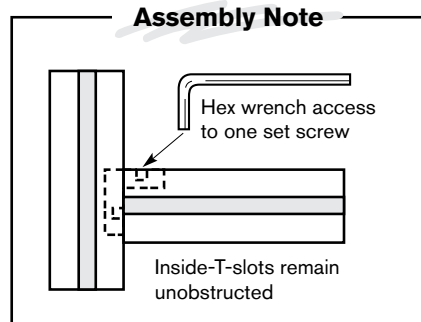


Features:

- Clean appearance
- Easy set screw installation
- Does not obstruct T-slot
- Includes set screws

Material:

- Die-cast brass



Description	Lot Size*	Part Number
A 6mm inside-to-outside gusset and set screws →	10	3 842 535 574
B 8mm inside-to-outside gusset and set screws 8 8	10	3 842 535 578
C 10mm inside-to-outside gusset and set screws	10	3 842 535 572

* For smaller quantities, please contact your local distributor.