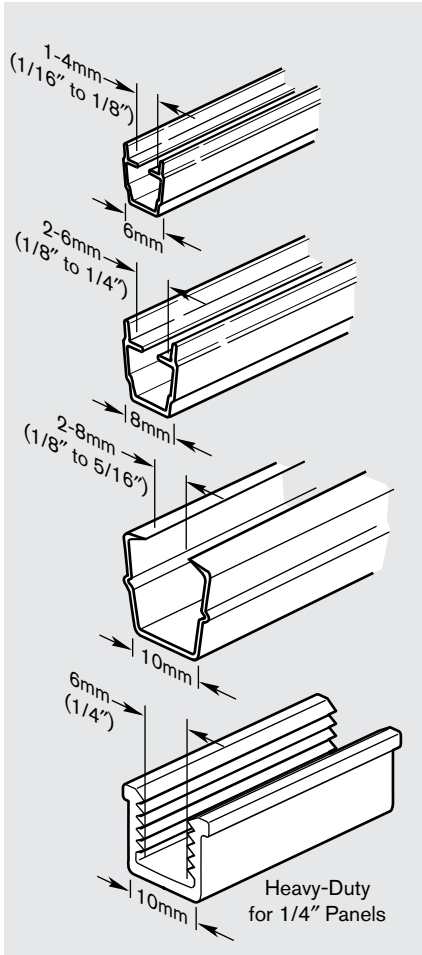


Section 6: EcoSafe™ Guarding and Machine/Safety Enclosures

Panel Support Inserts    **GoTo**

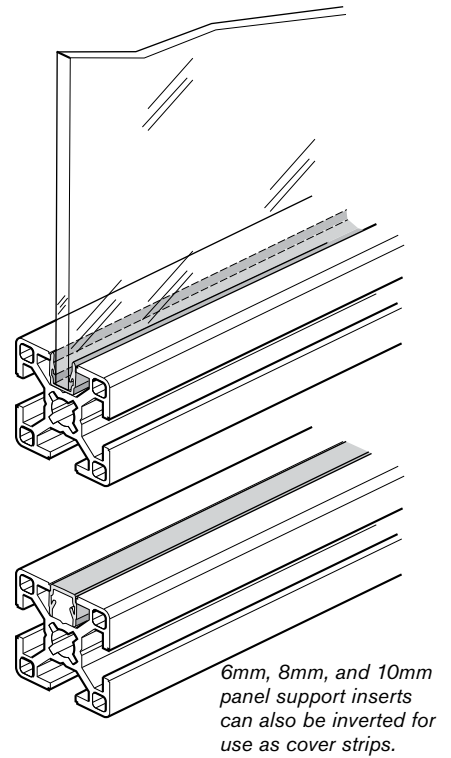


Features:

- Securely fasten panels from 2mm to 8mm thick in profiles with 6mm, 8mm, or 10mm T-slots
- Sturdy design prevents panels from shifting within the T-slot
- Easy snap-in installation
- Can be inverted for use as a black T-slot cover strip
- When using heavy 1/4" panels in a 10mm T-slot, the heavy-duty panel support is recommended

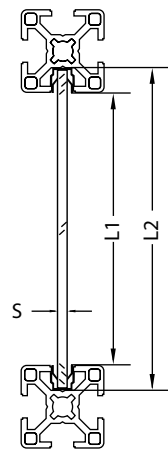
Material:


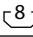
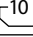
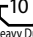
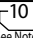
- Black polypropylene



| Description | Lot Size | Part Number |
|---|----------|----------------------------------|
| 6mm panel support insert, 2000mm long | 1 | 3 842 518 343 <i>GoTo</i> |
| 8mm panel support insert, 2000mm long | 1 | 3 842 518 347 <i>GoTo</i> |
| 10mm panel support insert, 2000mm long | 1 | 3 842 518 351 <i>GoTo</i> |
| Heavy-duty 10mm panel support insert, 2000mm long | 1 | 3 842 146 906 |

Panel Sizing Dimensions



| | L2 (mm) | S (mm) |
|---|------------|----------|
|  | L1 + 7.7* | 1-4 |
|  | L1 + 14.4* | 2-6 |
|  | L1 + 21.4* | 2-8 |
|  | L1 + 16* | 6 (1/4≤) |
|  | L1 + 24.4* | 2-8 |

* Tolerance is +0.0 -0.1
Note: 45x45 and 45x90 only!