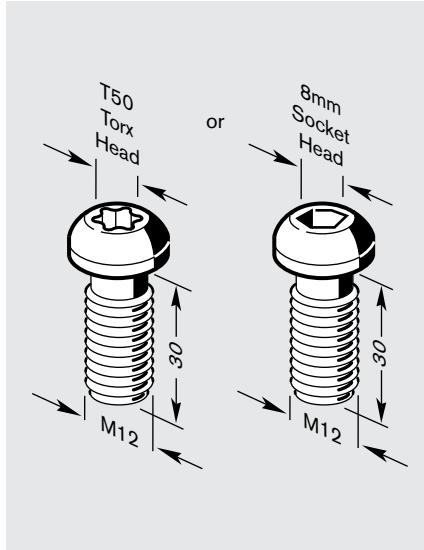


Section 3: Profile Connectors

M12 Connection Screws 10



Features:

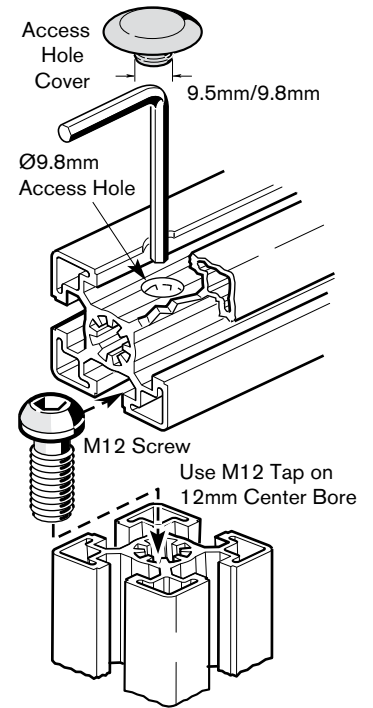
- Provides strong connection with high resistance to vibration
- Available as Torx head or standard hex socket head
- Does not obstruct T-slot

Machining Required:

- 9.8mm access hole
- Center bore of profile tapped M12

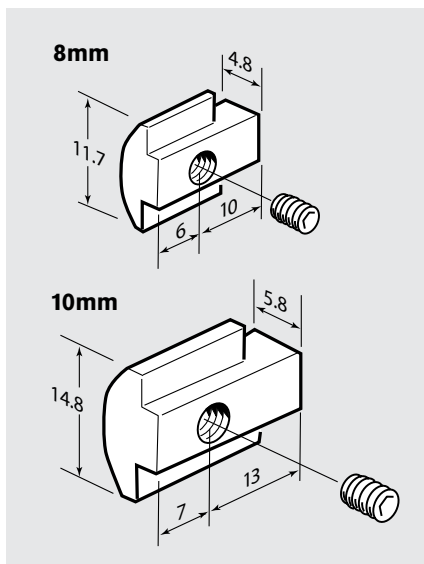
Material:

- Screw: zinc-plated industrial grade 8.8 steel
- Cover cap: black polyamide 6



Description	Lot Size	Part Number
M12x30 connection screw, 8mm socket head 10	1	8 981 021 301 <i>GoTo</i>
M12x30 connection screw, T50 Torx head 10	1	3 842 530 235
9.5/9.8mm access hole cover	1	8 981 005 306
10mm swivel-in anti-rotation T-block (optional) (see below for details)	1	3 842 530 326
9.8mm access hole cover <i>designLINE</i>	100	3 842 538 567

Anti-Rotation T-Block 8 10

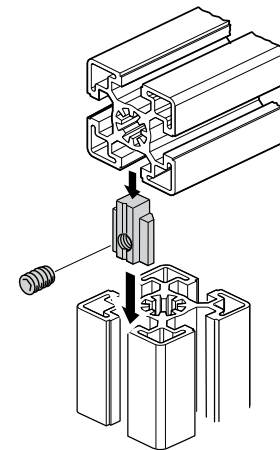


Features:

- Swivel-in installation
- Prevents rotation at connection point
- Large surface area contact with profile's T-slot ensures solid grip
- Ideal for use with connection screws

Material:

- Screw: zinc-plated industrial grade 8.8 steel



Description	Lot Size	Part Number
8mm swivel-in anti-rotation T-block 8	1	3 842 530 325
10mm swivel-in anti-rotation T-block 10	1	3 842 530 326

GoTo boschrexroth-us.com/framing to get these in stock items **FAST** from your local distributor