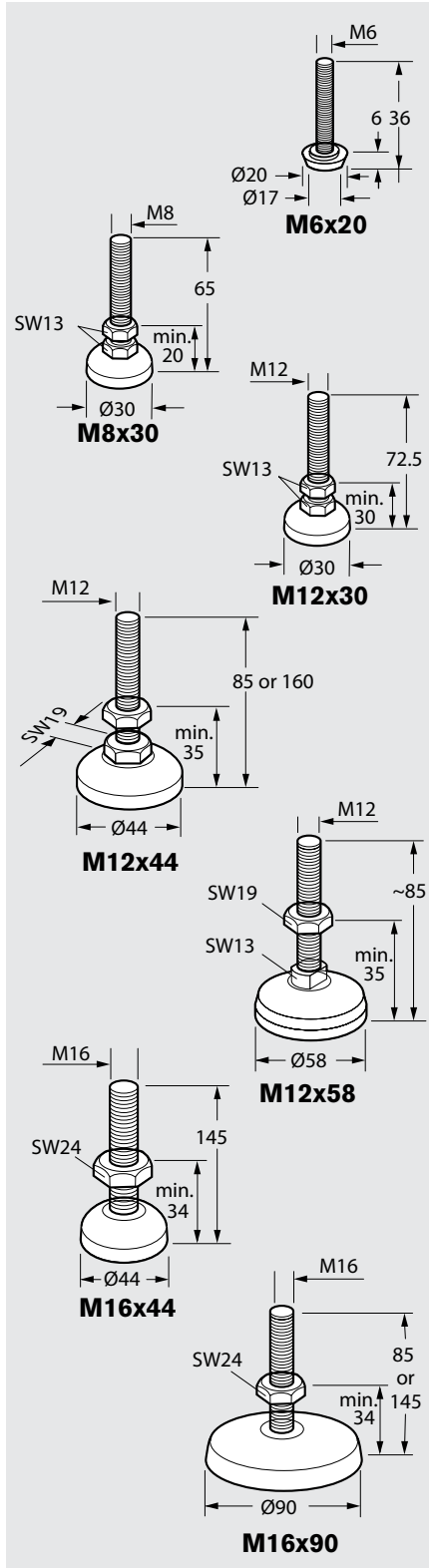


Section 7: Floor to Frame Elements

Leveling Feet and Accessories

Threaded Leveling Feet **GoTo**

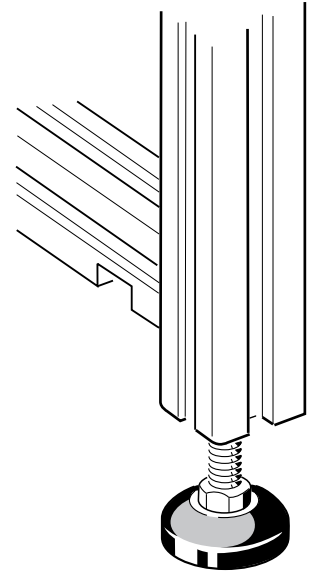



Features:

- Provide a sturdy foundation for machine frames, tables, workstations, conveyor supports, etc.
- All except M12x33 feature base that swivels 5° to compensate for uneven floors
- Threaded shaft allows adjustment to ensure levelness

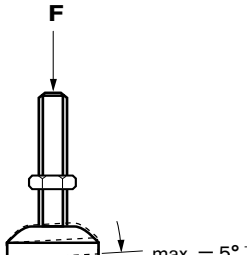
Material:

- Threaded shaft and jam nut (where applicable): galvanized steel
- Foot: black plastic for M6x20, zinc-plated steel for all others



Description	Adjustment Range (mm)	Lot Size	Part Number
6mm T-slotted profiles			
M6x20 leveling foot	20	1	3 842 518 743
8mm T-slotted profiles 			
M8x30 leveling foot	25	1	3 842 502 257 GoTo
10mm T-slotted profiles			
M12x30 leveling foot	42.5	1	3 842 529 025
M12x44 leveling foot (85mm)	30	1	3 842 352 061 GoTo
M12x44 leveling foot (160mm)	80	1	3 842 536 470
M12x58 leveling foot	30	1	3 842 511 893 GoTo
M16x44 leveling foot	80	1	3 842 311 956
M16x90x85 leveling foot	20	1	3 842 311 950
M16x90x145 leveling foot	80	1	3 842 311 951 GoTo

Technical Data



Leveling Foot	Use with profile end tap	F _{max}	Max. Adjust in mm	Swivel
M6x20	M6	N/A	20	Y
M8x30	M8	5,000N	25	Y
M12x30	M12	8,000N	42.5	Y
M12x33	M12	10,000N	20	N
M12x44x85	M12		30	Y
M12x44x160	M12		80	Y
M12x58	M12	20,000N	30	Y
M16x44	M16		80	Y
M16x90x85	M16		20	Y
M16x90x145	M16		80	Y

† Except M12x33 leveling foot, which does not swivel.