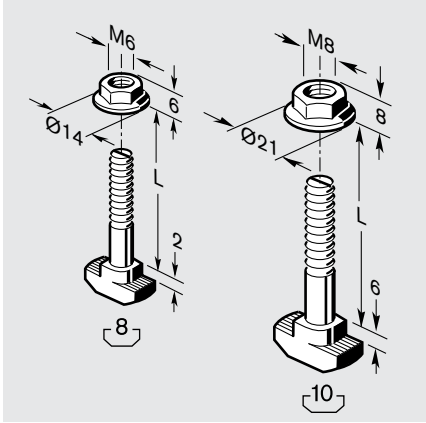


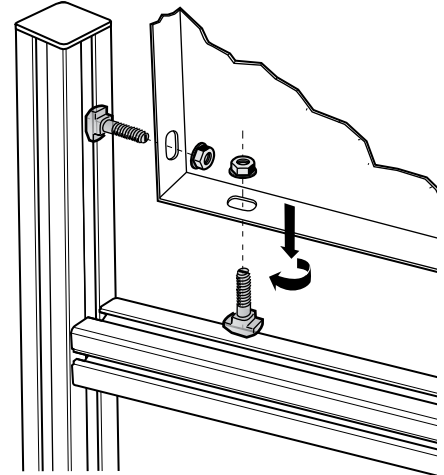
Section 4: Fasteners

T-Bolt Fastening Kits 8 10  **GoTo**



Features:

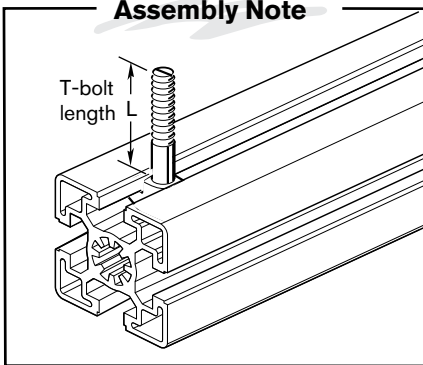
- Installs anywhere along the profile's T-slot and rotates into position
- Grooves "bite" into profile to lock the T-bolt into position, and provide ESD protection and resistance to vibration
- Large contact surface improves gripping strength
- Tapered neck simplifies assembly; T-bolt is self-aligning in T-slot
- Alignment groove on the end of the bolt shaft shows when it is properly aligned in the T-slot



Material:

- Zinc-plated industrial grade 8.8 steel

Assembly Note



Description	Tightening Torque (± 5%)	Lot Size	Part Number
8mm T-Bolt Fastening Kits 8			
L = 5/8", 1/4-20 T-bolt fastening kit	10 Nm	1	8 981 021 556
L = 3/4", 1/4-20 T-bolt fastening kit	10 Nm	1	8 981 021 557
L = 14mm, T-bolt fastening kit	10 Nm	1	8 981 019 577 GoTo
L = 18mm, T-bolt fastening kit	10 Nm	1	8 981 019 578 GoTo
L = 23mm, T-bolt fastening kit	10 Nm	1	8 981 019 579
M6 flange nut only	10 Nm	1	3 842 523 925
1/4-20 flange nut only	25 Nm	1	8 981 021 465
10mm T-Bolt Fastening Kits 10			
L = 3/4", 5/16-18 T-bolt fastening kit	25 Nm	1	8 981 021 554
L = 1", 5/16-18 T-bolt fastening kit	25 Nm	1	8 981 021 555
L = 14mm, T-bolt fastening kit	25 Nm	1	8 981 021 342 GoTo
L = 19mm, T-bolt fastening kit	25 Nm	1	8 981 021 343 GoTo
L = 24mm, T-bolt fastening kit	25 Nm	1	8 981 021 344 GoTo
L = 34mm, T-bolt fastening kit	25 Nm	1	8 981 021 345 GoTo
L = 44mm, T-bolt fastening kit	25 Nm	1	8 981 021 346
L = 54mm, T-bolt fastening kit	25 Nm	1	8 981 021 347
M8 flange nut only	25 Nm	1	3 842 345 081 GoTo
5/16-18 flange nut only	25 Nm	1	8 981 021 464