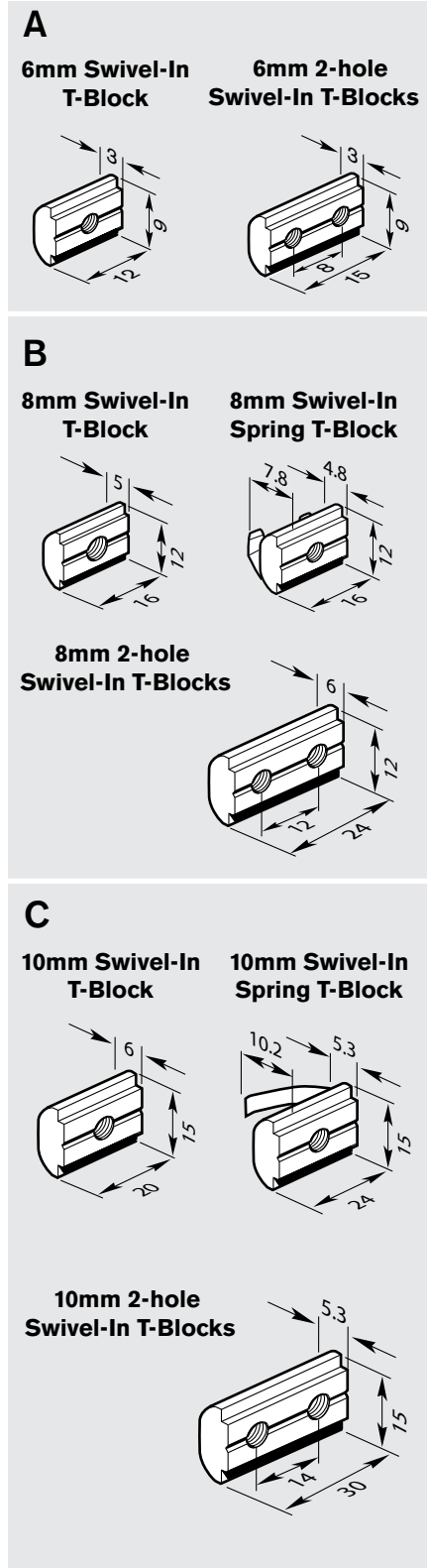


Section 4: Fasteners

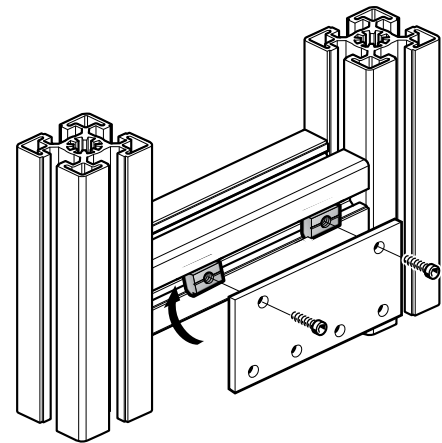
Fasteners

Swivel-In T-Blocks 6 8 10 **GoTo**



Features:

- Can be inserted anywhere along the profile's T-slot, even after the structure has been built
- Used to fasten heavy loads to T-slotted profiles; seven-thread engagement for strong, secure mounting
- Large contact surface with inside of profile's T-slot provides secure fastening
- Can be easily repositioned in T-slot
- The swivel-in spring T-block is similar to standard swivel-in T-blocks, but adds an integrated spring to hold the T-block in place while making vertical connections



Material:

- T-block: Zinc-plated grade 8 steel (except as noted below)
- Spring: spring steel

Description	Tightening Torque (± 5%)	Lot Size*	Part Number
A 6mm Swivel-In T-Blocks 6			
M4	2.5 Nm	1	3 842 536 669
2 x M4, stainless steel	2.5 Nm	100	3 842 536 673
B 8mm Swivel-In T-Blocks 8			
M5	5 Nm	1	3 842 529 319
M6	10 Nm	1	3 842 529 320
M8	25 Nm	1	3 842 529 321
M8, stainless steel	25 Nm	1	3 842 530 321
M5 with spring	5 Nm	1	3 842 529 295
M6 with spring	10 Nm	1	3 842 529 296
M8 with spring	25 Nm	1	3 842 529 297
2 x M5	5 Nm	100	3 842 536 675
C 10mm Swivel-In T-Blocks 10			
M6	10 Nm	1	3 842 529 323
M8	25 Nm	1	3 842 529 324
M8, stainless steel	25 Nm	1	3 842 530 316
M5 with spring	5 Nm	1	3 842 529 298
M6 with spring	10 Nm	1	3 842 529 299
M8 with spring	25 Nm	1	3 842 529 300 <i>GoTo</i>
2 x M5	5 Nm	100	3 842 536 676
1/4-20	88 lb-in	1	8 981 021 441
5/16-18	221 lb-in	1	8 981 021 440
10-32	44 lb-in	1	8 981 021 442

* For smaller quantities, please contact your local distributor.