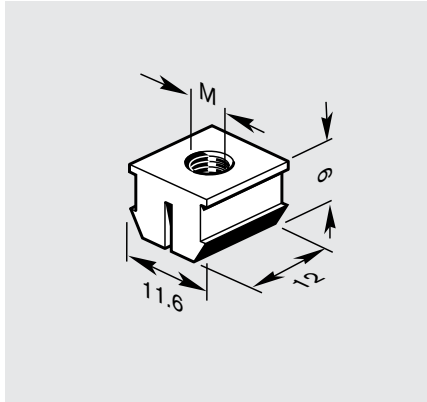


Section 4: Fasteners

# Fasteners

## Plastic T-Nut <sup>10</sup>

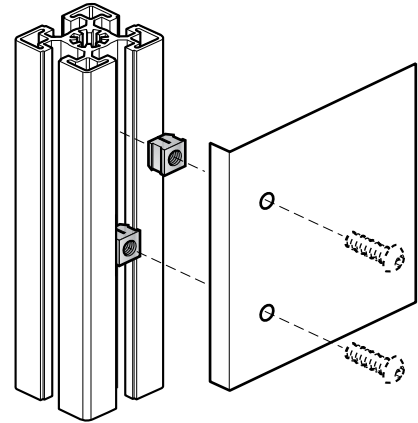


**Features:**

- Ideal for attaching light loads such as proximity sensors or identification tags to profiles with 10mm T-slots
- Provides electrical isolation and prevents inadvertent introduction of circuit ground
- Snap into T-slot for easy installation and positioning, even in vertical T-slots

**Material:**

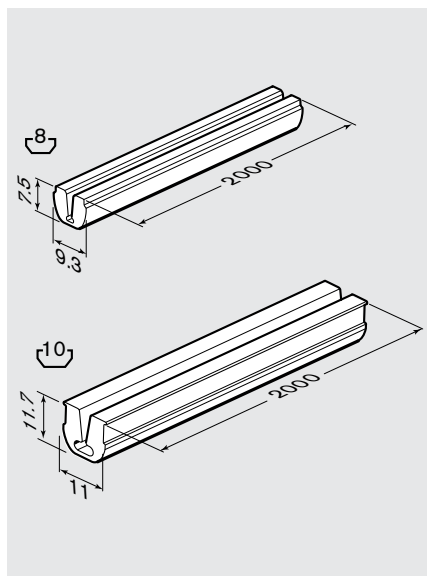
- Black polyamide 6



Description	Tightening Torque (± 5%)	Lot Size*	Part Number
M4 plastic T-nut	0.5 Nm	100	3 842 111 987
M5 plastic T-nut	1.0 Nm	100	3 842 111 988
M6 plastic T-nut	2.2 Nm	100	3 842 111 989

\* For smaller quantities, please contact your local distributor.

## 8mm & 10mm Mounting Strips <sup>8</sup> <sup>10</sup>

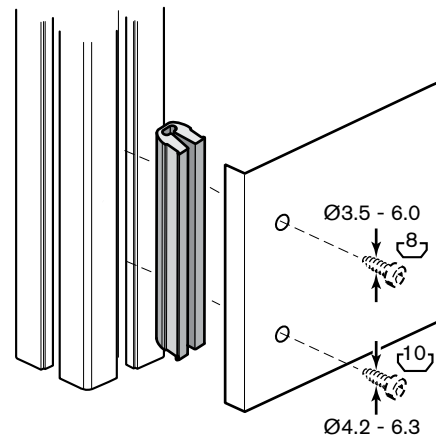


**Features:**

- Ideal for attaching panels, switches, valves, and other accessories
- Screws can be attached anywhere along T-slot without drilling
- Snaps into T-slot for easy installation and positioning, then expands as screw is installed, locking it in place
- Delivered in 2000mm long strips; can be easily cut to length

**Material:**

- Light gray PVC



Description	Lot Size	Part Number
Mounting strip, 8mm	1	3 842 524 069
Mounting strip, 10mm	1	3 842 524 072