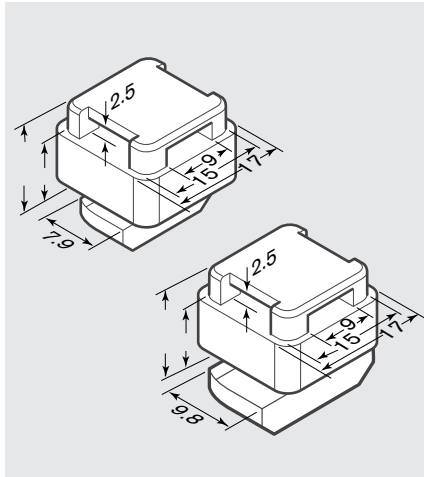


Section 12: Accessories

# Accessories

## Cable Carrier *Goto*

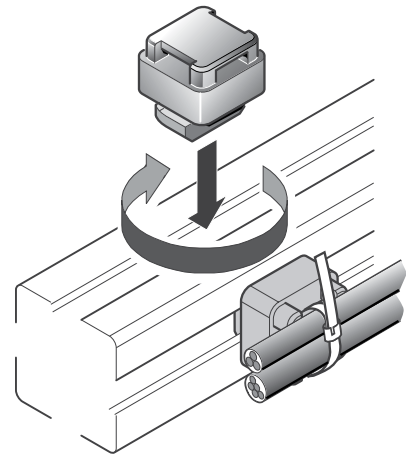


**Features:**

- Attach electrical wires or pneumatic tubing directly to a structure's frame using a standard wire tie
- Simple twist-lock installation makes them easy to install and remove
- Available for 8mm and 10mm T-slots

**Material:**

- Black polyamide

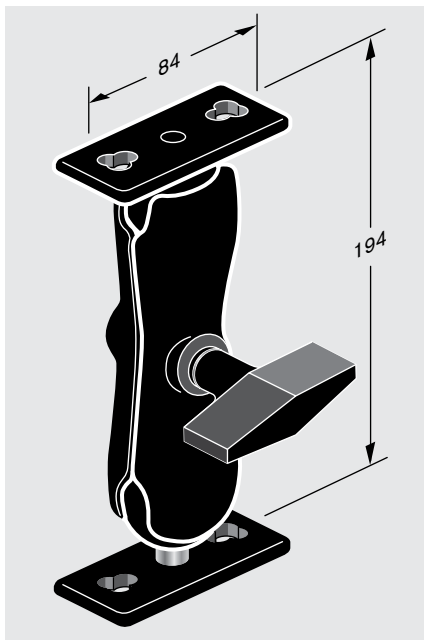


**Description**

**Part Number**

Cable carrier for 8mm T-slots	1	<b>3 842 526 565</b> <i>Goto</i>
Cable carrier for 10mm T-slots	1	<b>3 842 526 564</b> <i>Goto</i>

## R-A-M® Mount

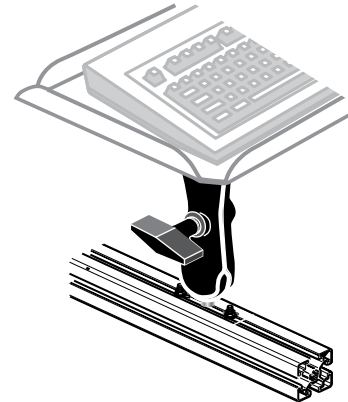


**Features:**

- Provides a fully adjustable, two-joint connection between two surfaces
- Locking handle secures the R-A-M mount in the desired position
- Perfect for fixturing or adjustable equipment mounts
- T-bolt fastening kit for installation profile sold separately (see Section 4)

**Material:**

- Mounting plates and R-A-M mount body: black die-cast aluminum
- Adjustment balls: rubber
- Hardware: stainless steel



**Description**

**Lot Size**

**Part Number**

R-A-M® mount	1	<b>8 981 019 573</b>
--------------	---	----------------------