

GoTo Products Focused Delivery Program

Electric Drives
and Controls



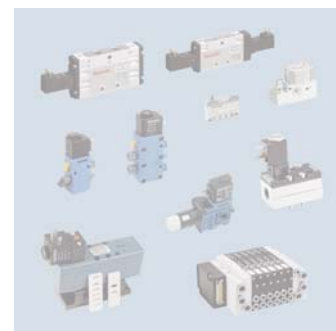
Hydraulics



Assembly
Technologies



Pneumatics



Aluminum Framing *GoTo* Catalog

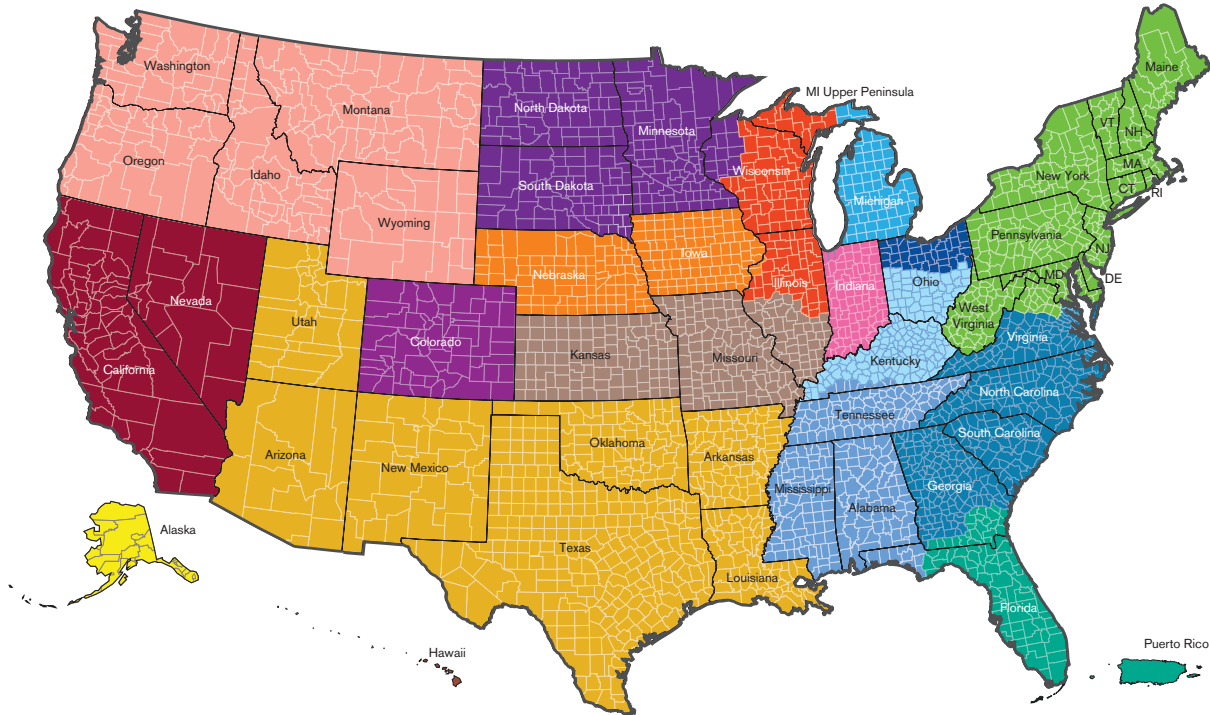
Bosch Rexroth is pleased to present aluminum structural framing as part of our *GoTo* Focused Delivery Program. The *GoTo* program provides you with fast delivery of the industry's most widely used aluminum framing products, and lets you "go to" quick reference internet pages for more information, technical

specifications and ordering details.

For additional information on the *GoTo* Program and a complete list of other quality Rexroth products available in the focused delivery program go to:

www.boschrexroth-us.com/GoTo.

Bosch Rexroth Corporation, Aluminum Framing Distributor List



- | | | | |
|-----------------------------------------------------------------------------------------------------------------------------------------------------------------------------------------------------------------------------|---------------------------------------------------------------------------------------------------------------------------------------------------------------------------------------------------------------------------|------------------------------------------------------------------------------------------------------------------------------------------------------------------------------------|-------------------------------------------------------------------------------------------------------------------------------------------------------------------------------------------|
| <p>Advanced Air Products Automation
2901 S. Tejon St.
Englewood, CO 80110
(866) 666-8684
www.aapautomation.com</p> | <p>Bosch Rexroth Corporation Western Regional Office
7901 Stoneridge Drive, Suite 220
Pleasanton, CA 94588
(925) 227-1074
www.boschrexroth-us.com</p> | <p>Hitech Automation
400 Axminister Drive
Fenton, MO 63026
(636) 305-9988
www.hitech-automation.com</p> | <p>Pacific Integrated Handling
10215 Portland Ave
Tacoma, WA 98445
(888) 550-5888
www.pacificintegrated.com</p> |
| <p>Airline Hydraulics
3557 Progress Drive
Bensalem, PA 19020
(800) 999-7378
www.airlinehyd.com</p> | <p>CMA/Flodyne/Hydradyne
1000 Muirfield Drive
Hanover Park, IL 60133
(630) 563-3600
www.flodyne.com</p> | <p>Iowa Fluid Power
1610 Blairs Ferry Road NE
Cedar Rapids, IA 52402
(800) 333-7004
www.ifpusa.com</p> | <p>Pacific Integrated Handling
928 S. 52nd Street #105
Tempe, AZ 85281
(888) 305-8789
www.pacificintegrated.com</p> |
| <p>Airline Hydraulics
200 Mile Crossing Blvd. Suite 1B
Rochester, NY 14624
(800) 477-9772
www.airlinehyd.com</p> | <p>FlexMation
14501 Judicial Road, Suite 50
Burnsville, MN 55306
(952) 898-1311
www.flexmation.com</p> | <p>Livingston & Haven Tech.
11529 Wilmar Boulevard
Charlotte, NC 28273
(704) 588-3670
www.lhtech.com</p> | <p>Queen City Supply
1859 Section Rd.
Cincinnati, OH 45237
(513) 351-9500
www.qcsautomation.com</p> |
| <p>North
Valin – Automation Controls, Inc.
555 E. California Avenue
Sunnyvale, CA 94086
(800) 774-5630
www.automationcontrols.com</p> | <p>Gulf Controls Company, LLC
5201 Tampa W. Blvd
Tampa, FL 33634
(800) 282-9125
www.gulfcontrols.com</p> | <p>MICCO
25831 Commerce Drive
Madison Heights, MI 48071
(248) 584-4440
www.miccolucent.com</p> | <p>Bosch Rexroth Corporation
816 East Third Street
Buchanan, MI 49107
(800) 322-6274
www.boschrexroth-us.com</p> |
| <p>South
Valin – Automation Controls, Inc.
1701 E. Edinger Ave, Bldg. J
Santa Ana, CA 92705
(800) 774-5630
www.automationcontrols.com</p> | <p>Handling Systems, Inc.
106 Park South Court
Nashville, TN 37210
(615) 313-8620
www.handlingsystemstenn.com</p> | <p>Mosier Automation
9851 Park Davis Drive
Indianapolis, IN 46235
(317) 895-6200
www.mosierautomation.com</p> | |

GoTo Focused Delivery Program

The *GoTo* Focused Delivery Program streamlines everything to make it easier for you to get a selection of our most popular Rexroth products faster. You'll benefit from quicker access to product information, reliable lead times that meet or beat the expectations of the market, simplified pricing and enhanced

customer service. Go to our website at:

www.boschrexroth-us.com/GoTo for information on *GoTo* products from among all of Rexroth's technologies. It's the fastest and easiest way to get started on your next application.

Distributed by:

**For our complete product portfolio please visit our website at:
www.boschrexroth-us.com and select "Products and Solutions"
or call 1.800.REXROTH (739-7684)**

GoTo Program Delivery Conditions

- Current *GoTo* program content and guidelines are specified at: www.boschrexroth-us.com/GoTo
 - How to Order: Please state clearly for each line item on the purchase order that *GoTo* lead times are required.
 - Orders for products exceeding the current program quantity limits may be acknowledged with extended delivery.
 - Items listed in this catalog will be shipped from your local distributor or Bosch Rexroth location within the time frame stated in this catalog. For urgent delivery requirements, please check with your local sales office.
 - Order via the Rexroth Distributors listed on the inside front cover.
- All items subject to prior sale. It is advisable to confirm critical delivery requirements at time of order. All sales subject to Bosch Rexroth Corporation Terms & Conditions of sales, which you can read at:
www.boschrexroth-us.com/terms
- Bosch Rexroth reserves the right to make program changes at any time without notice.

WARNING!

Failure, improper selection or improper use of the products and/or systems described herein or of related items may cause personal injury or property damage.

This document and other information from Bosch Rexroth Corporation and its divisions provide products and/or system options for further investigation by users having technical expertise. It is important that you analyze all aspects of your application and review the information concerning the products or systems in Rexroth's Data Sheets. Due to the variety of operating conditions and applications for these products or systems, the user, through his own analysis and testing, is solely responsible for making the final selection of the products and systems, and assuring that all performance, safety and warning requirements are met.

The products described herein, including without limitation, product features, specifications, designs and pricing are subject to change at anytime without notice.

Table of Contents

	Page No.
Profiles	6
Gussets	7
90° Connectors	8
Profile Connectors	9
T-Nuts and T-Bolts	10
T-Blocks, Springs and Swivel-in T-Blocks	11
Leveling Feet and End Caps	12
Foundation Brackets	13
End Caps	14
Cover Strip	15
Other Accessories	16
EcoShape Tubular Framing	18
Part Numbers	19

Liability:

In no event can the manufacturer accept warranty claims or liability claims for damages resulting from improper use or misuse of the equipment or as a result of changes made to the equipment other than those authorized by the manufacturer. The manufacturer will accept no claim in which non-original spare parts have been used.

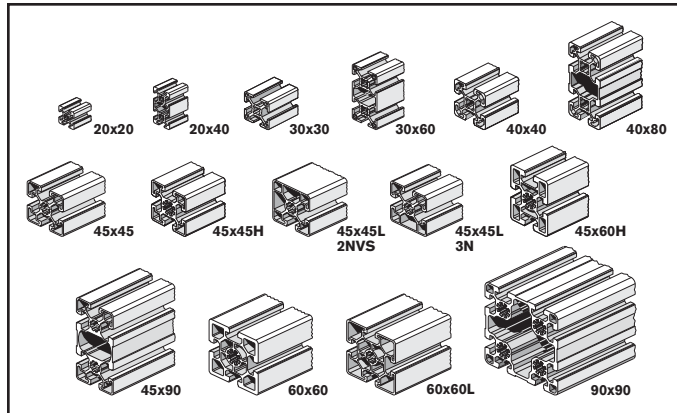
© 2009, Bosch Rexroth Corporation

All rights are held by ROBERT BOSCH GMBH and BOSCH REXROTH CORPORATION, also regarding patent claims.

We reserve the right to make technical changes at any time without notice. Errors and omissions excepted.

GoTo Focused Delivery Program: Profiles

Profiles



Rexroth offers a variety of popular *Profiles* in the **GoTo** program to cover most applications. These profiles are sold in full length uncut sticks in single or bundle quantities. All have T-slots on each side to making it easy to bolt together just about any structure you can imagine using Rexroth T-bolts, T-nuts and a few simple hand tools.

For complete engineering and design information:
GoTo www.boschrexroth-us.com/GoToProfiles

Features:

- High-strength extruded aluminum
- Natural color anodized surface
- Scratch and corrosion-resistant
- Never needs painting
- Maintenance free

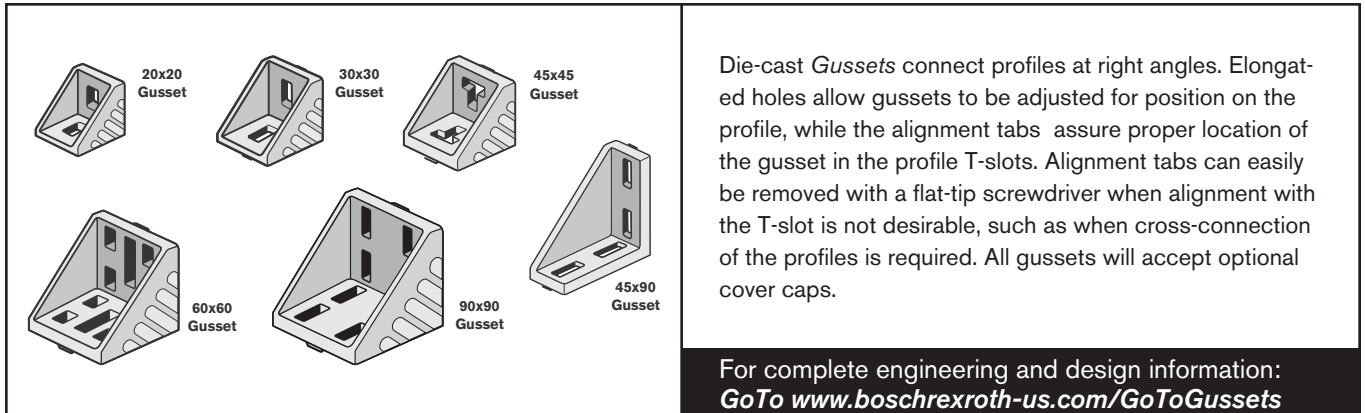
Technical Data

- Material number according to DIN (ISO)– Metric 3.3206.7 (U.S. Equivalent 6063 T6)
- Tensile strength (expected)– Metric $R_m=250$ N/mim² (U.S. Equivalent 36,000 lb/in.²)
- Brinell hardness–75HB
- Anodizing process–layer thickness–layer hardness
Metric: E6/EV1 - 12 um - 300 HV
U.S. Equivalent - R204 - (.0003 in-300HV)

See Page 19 for part numbers and ordering information

GoTo Focused Delivery Program: Gussets

Gussets



Features:

- T-slot alignment tabs for easy positioning and reduced assembly time
- Clean professional appearance
- Connects anywhere on the profile T-slot
- Optional cover caps available
- No machining of the profile required for installation

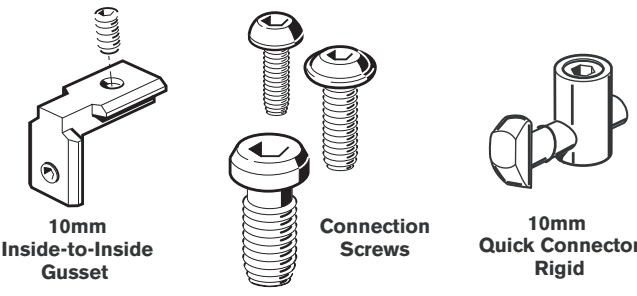
Technical Data

- Gusset material: die-cast aluminum
- Gusset fasteners: zinc-plated steel
- Cover caps: black polyamide 8

See Page 20 for part numbers and ordering information

GoTo Focused Delivery Program: Profile Connectors

90° Connectors

 <p>10mm Inside-to-Inside Gusset</p> <p>Connection Screws</p> <p>10mm Quick Connector Rigid</p>	<p><i>Inside-to-Inside Gussets</i> provide a clean finished appearance to your structure. No machining is required. Installs easily into the inside T-slot. Set screws included.</p> <p><i>Connection Screws</i> are self-tapping and provide a strong connection with high resistance to vibration. They only require the drilling of a small access hole to tighten the connection screw.</p> <p><i>10mm Quick Connectors/Rigid</i> quickly connect 10mm profiles at right angles. Provides fast assembly and disassembly. Requires a 17mm through hole.</p> <p>For complete engineering and design information: GoTo www.boschrexroth-us.com/GoToConnectors</p>
-------------------------------------------------------------------------------------------------------------------------------------------------------------------------------------------------------	--------------------------------------------------------------------------------------------------------------------------------------------------------------------------------------------------------------------------------------------------------------------------------------------------------------------------------------------------------------------------------------------------------------------------------------------------------------------------------------------------------------------------------------------------------------------------------------------------------------------------------------------------------------------------------------------------------------------------------------------

Features:

- The Inside-to-Inside Gusset uses set-screw installation, and it's easy to adjust profiles after the structure is assembled.
- The Connection Screw does not obstruct the profile T-slot and all but the M-12x30 are self-tapping.
- The 10mm Quick Connector/Rigid keeps three T-slots open for mounting panels or accessories.

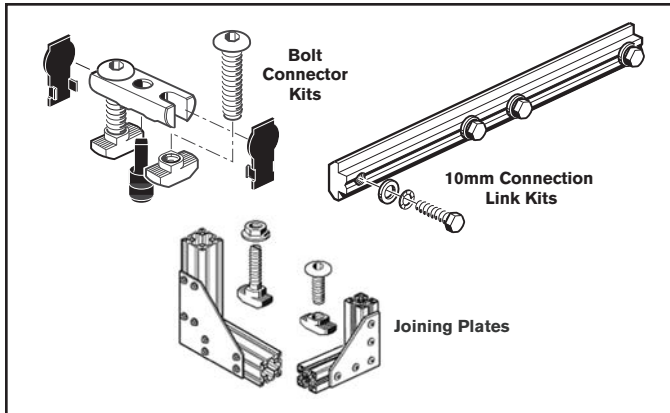
Technical Data

- Inside-to-Inside Gusset is die-cast brass
- Connection Screws and Quick Connectors are zinc plated industrial grade 8.8 steel

See Page 21 for part numbers and ordering information

GoTo Focused Delivery Program: Profile Connectors

Profile Connectors



Bolt Connector Kits provide the strongest right angle connection and require only 1 through hole in the profile to engage the bolt connector.

Use the *10mm Connection Link Kit* to join two pieces of profile end-to-end. The Connection Kit can be used in any 10mm T-slot and requires no machining to install.

For complete engineering and design information:
GoTo www.boschrexroth-us.com/GoToConnectors

Features:

- The Bolt Connector provides the strongest connection and its centering pin makes it easy to achieve precise alignment
- A 10mm Connection Link is ideal for extending the length of a profile
- Joining Plates fasten to the outside faces of the profiles, leaving the inner T-slots free for panels or accessories
- Joining Plates can be added to reinforce a structure after initial assembly
- Three different styles of Joining Plates available in a variety of sizes

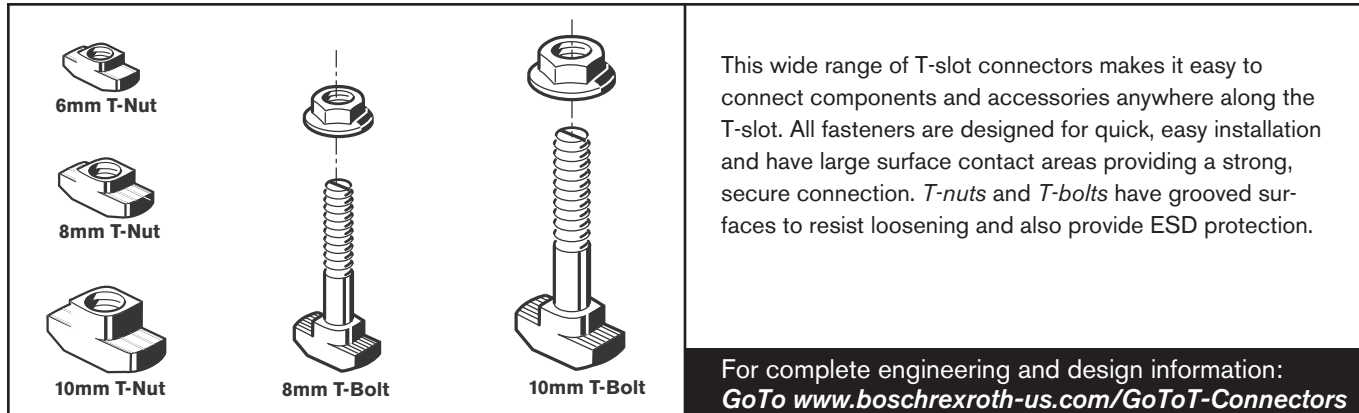
Technical Data

- Bolt Connectors are zinc plated industrial grade 8.8 steel
- 10mm Connection Links are zinc plated steel
- Joining Plates – 30-, 45-, and 90-series: clear anodized 6063-T6 aluminum

See Page 21 for part numbers and ordering information

GoTo Focused Delivery Program: T-Slot Connectors

T-Nuts and T-Bolts



Features:

- T-nuts install anywhere along the profile T-slot, rotating and locking into position. The tapered neck simplifies assembly, and the T-nut is self-aligning in the T-slot.
- T-bolts install anywhere along the profile T-slot, rotating and locking into position. The tapered neck simplifies assembly, and the T-bolt is self-aligning in the T-slot. The positioning groove on the end of the T-bolt visually indicates when it is properly positioned in the T-slot.




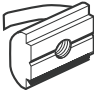



Technical Data

- T-nuts and T-bolts made of zinc plated grade 8.8 steel

See Page 22 for part numbers and ordering information

GoTo Focused Delivery Program: T-Slot Connectors

T-Blocks, Springs and Swivel-in T-Blocks

			
6mm T-Block	8mm T-Block	10mm T-Block	
			
6mm Spring	8mm Spring	10mm Spring	

These T-slot Connectors can be used to fasten heavy components and accessories anywhere along the T-slot. The extra large contact surface with the inside of the profile provides a strong secure connection. All connectors can be easily repositioned in the T-slot. *T-blocks* slide into the end of the profile. The *Swivel-in T-block* with integrated spring can be installed anywhere along the T-slot.

For complete engineering and design information:
GoTo www.boschrexroth-us.com/GoToT-Connectors

Features:

- T-blocks slide into the end of the T-slot and are used to fasten heavy loads to profiles. The extra large contact area provides a strong secure connection. Springs can be installed behind the T-blocks to hold them in place while making vertical connections.
- Swivel-in Spring T-blocks provide the same benefits as the T-blocks but can be installed anywhere along the profile T-slot. They can be repositioned in the T-slot and the integrated spring holds the connector in position while making vertical connections.

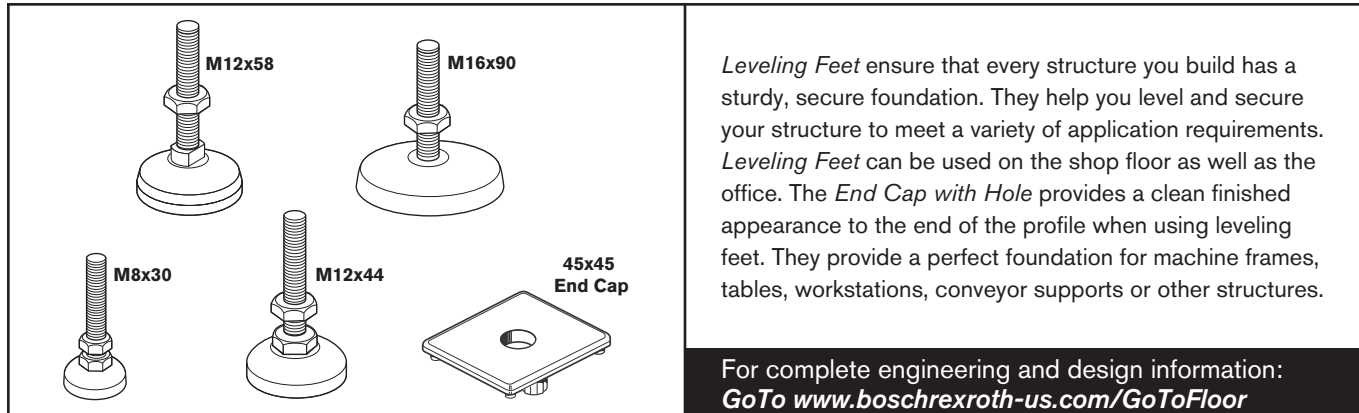
Technical Data

- T-blocks and Swivel-in T-blocks made of zinc plated grade 8 steel
- Springs made of spring steel

See Page 23 for part numbers and ordering information

GoTo Focused Delivery Program: Floor to Frame Elements

Leveling Feet and End Caps



Leveling Feet ensure that every structure you build has a sturdy, secure foundation. They help you level and secure your structure to meet a variety of application requirements. *Leveling Feet* can be used on the shop floor as well as the office. The *End Cap with Hole* provides a clean finished appearance to the end of the profile when using leveling feet. They provide a perfect foundation for machine frames, tables, workstations, conveyor supports or other structures.

For complete engineering and design information:
GoTo www.boschrexroth-us.com/GoToFloor

Features:

- All Leveling Feet feature bases that swivel 5° to compensate for uneven floors. The threaded shaft has a wide adjustment range to ensure levelness of any structure.
- End Caps with Holes clip easily into the ends of the profile and provide a clear through-hole for leveling foot installation.

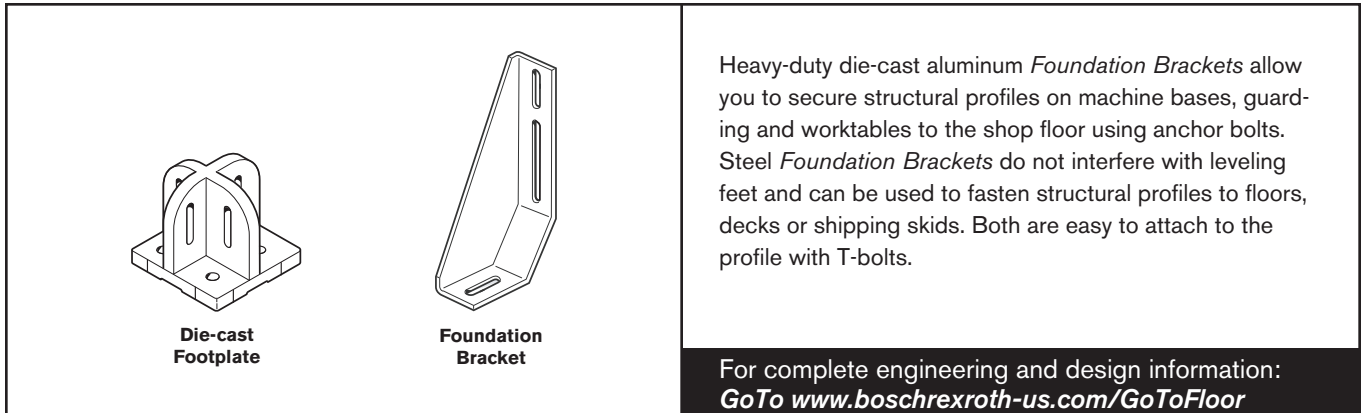
Technical Data

- Leveling Foot threaded shaft made of galvanized steel
- Foot made of zinc plated steel
- End Caps made of black polyamide 6

See Page 24 for part numbers and ordering information

GoTo Focused Delivery Program: Floor to Frame Elements

Foundation Brackets



Features:

- Foundation Brackets do not interfere with leveling feet and attach directly to the profile T-slot. Available in 160mm or 210mm lengths they can easily be secured to a concrete floor with an 8mm anchor bolt, 76mm long (not included).
- The 120 x 120mm heavy duty die-cast aluminum Footplate can be used with 45 x 45, 45 x 60 and 60 x 60 profiles vertically to secure structures to the floor. Adjustment marks on the sides of the footplate align with the profile center line to aid in positioning. Profile edges fit flush with footplate to create an unobstructed walkway along the edge of the structure.

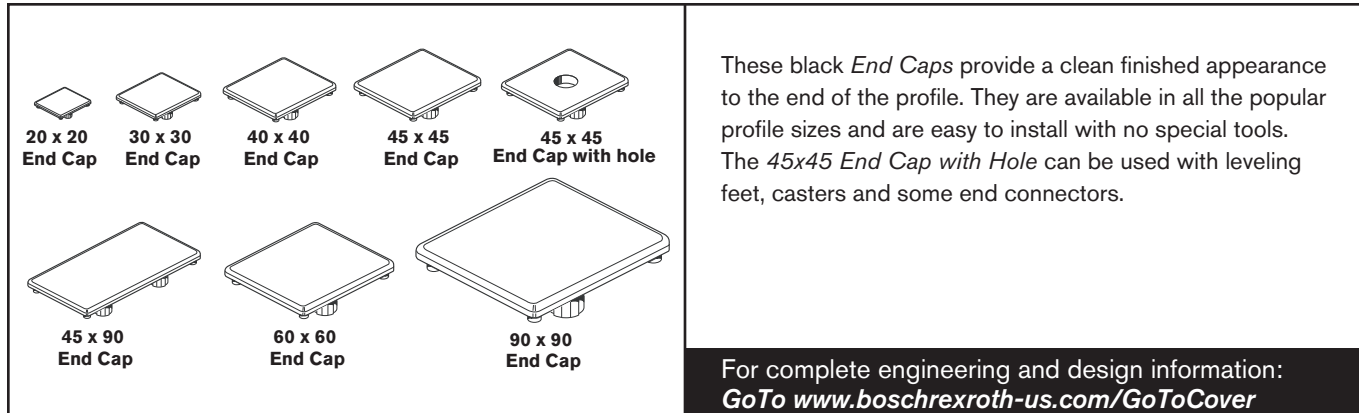
Technical Data

- Foundation Brackets made of zinc-plated sheet steel
- Die-cast Footplates made of die-cast aluminum

See Page 24 for part numbers and ordering information

GoTo Focused Delivery Program: Finishing Elements

End Caps



These black *End Caps* provide a clean finished appearance to the end of the profile. They are available in all the popular profile sizes and are easy to install with no special tools. The *45x45 End Cap with Hole* can be used with leveling feet, casters and some end connectors.

For complete engineering and design information:
GoTo www.boschrexroth-us.com/GoToCover

Features:

- End Caps snap-in place into the end of the profile and won't fall out accidentally.
- No special tools required.

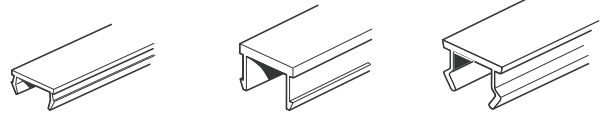
Technical Data

- End Cap material is polyamide 6

See Page 25 for part numbers and ordering information

GoTo Focused Delivery Program: Finishing Elements

Cover Strip

 <p>8mm T-slot Cover</p> <p>10mm T-slot Cover</p> <p>10mm Aluminum T-slot Cover</p>	<p>The <i>T-slot Cover Strip</i> provides a finished appearance to the profile T-slot and prevents accumulation of dirt and debris in the T-slot. Rigid PVC cover strips are 2000mm long and available in light gray or black. Aluminum cover strips are 2000mm long.</p> <p>For complete engineering and design information: GoTo www.boschrexroth-us.com/GoToCover</p>
-------------------------------------------------------------------------------------------------------------------------------------------------------------------------------------------	--------------------------------------------------------------------------------------------------------------------------------------------------------------------------------------------------------------------------------------------------------------------------------------------------------------------------------------------------------------------------------------------------------------------------------------------

Features:

- Cover Strips install anywhere along the profile T-slot and are easy to cut to the desired length.
- Aluminum Cover Strips match profile finish for a clean finished look.
- Use to conceal wires.

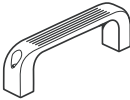
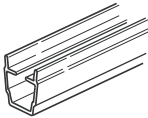
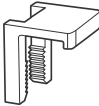
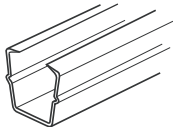
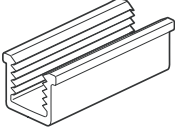
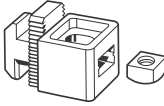
Technical Data

- Cover Strip material is Rigid PVC, 2000mm long
- Aluminum Cover Strip material is anodized aluminum

See Page 25 for part numbers and ordering information

GoTo Focused Delivery Program: Other Accessories

Other Accessories

			<p>It's easy to customize your structure with these accessories from Bosch Rexroth. <i>Strap Handles</i> are ideal for sliding doors and panels and attach easily to material trays or anything that uses a 10mm or 8mm T-slot. <i>Panel Support Inserts</i> make it easy to install panels or panes securely into the T-slot.</p> <p><i>Variofix Blocks</i> can be used to mount panels, panes, and plates up to 13mm thick into profiles with either 8mm or 10mm T-slots. They are easy to install and allow quick installation of the panel after the frame structure has been built.</p>
Medium Strap Handle	8mm Panel Support Insert	Variofix Clip	
			<p>For complete engineering and design information: GoTo www.boschrexroth-us.com/GoToAccessories</p>
10mm Panel Support Insert	10mm Heavy Duty Panel Support Insert	8mm or 10mm Variofix Fastener- (no clip)	

Features:

- Strap Handle fits both 8mm and 10mm T-slots. Sturdy design provides a solid grip.
- Panel Support Inserts are designed to prevent panels from shifting within the T-slot. They feature snap-in installation and can be inverted for use as a black T-slot cover strip. Inserts are 2000mm long and can be cut to fit with standard hand tools.
- Variofix Blocks can be used after the structure is completed. Simple twist lock installation in the profile T-slot provides a secure mounting surface. Panels can be secured either with the detent clip or an M6 screw (not provided) into the pre-installed M6 nut. When using an M6 screw the panel or pane must be pre-drilled.

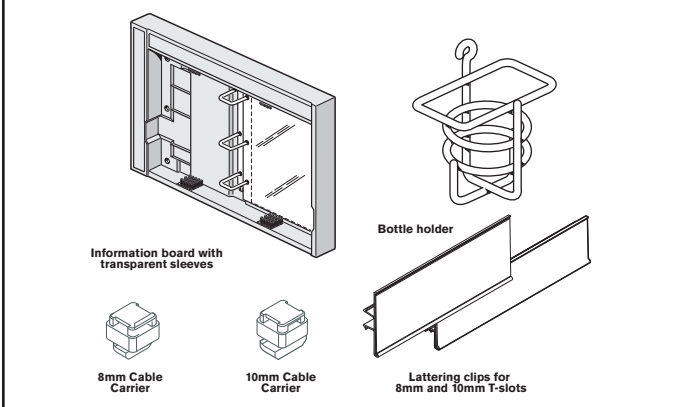
Technical Data

- Panel Support Insert material: black polypropylene
- Variofix Block material: black polyamide
- Variofix detent material: clear plastic

See Page 26 for part numbers and ordering information

GoTo Focused Delivery Program: Other Accessories

Other Accessories



Information board with transparent sleeves

Bottle holder

8mm Cable Carrier

10mm Cable Carrier

Lettering clips for 8mm and 10mm T-slots

Workstation accessories such as *Information Boards*, *Bottle Holders* and *Lettering Clips* help maximize ergonomics and worker efficiency.

When you need to secure wires and pneumatic tubing directly to a structure install the 8mm or 10mm *Cable Carrier* at any location along the profile T-slot.

Routing cables on your 10mm T-slotted profile workstations is easy with snap-in *Cable Conduit*.

For complete engineering and design information:
GoTo www.boschrexroth-us.com/GoToAccessories

Features:

- Information boards allow display of assembly instructions, test information, and other worksite documents. They can be positioned at eye level and mounted vertically or horizontally to T-slotted profiles.
- Bottle holders keep the worktable surface clutter-free and help prevent spills.
- Lettering clips are perfect for labeling flow racks, workstations and material shuttles.
- Cable Carriers install easily anywhere along the profile T-slot with a simple twist lock connection. They can be easily removed and re-positioned as requirements change.
- Cable conduit provides an attractive and protective conduit to hold cables or electrical wires on profile structures. It easily snaps into the T-slot of 10mm T-slotted profiles. Clip-open top simplifies insertion and routing of cables even on complicated structures.

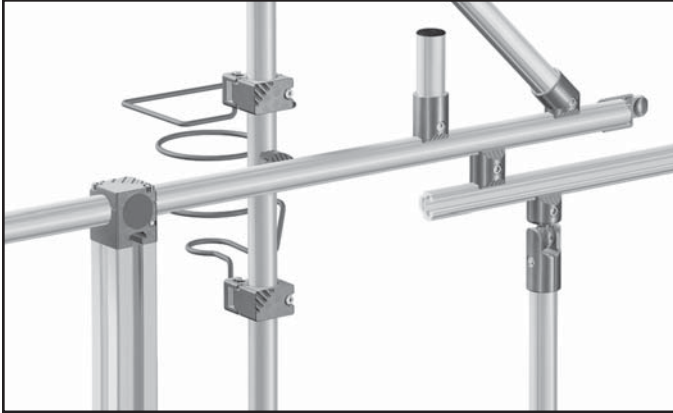
Technical Data

- Information board material: dark gray ABS plastic
- Bottle holder material: light gray plastic-coated wire
- Lettering clip material: PVC
- Cable Carrier material: black polyamide
- Cable conduit material: black PVC plastic

See Page 26 for part numbers and ordering information

GoTo Focused Delivery Program: EcoShape

EcoShape Tubular Framing



Rexroth's tubular framing system EcoShape enables connections between square and round elements. Anodized aluminum round tube elements and intelligent, two-piece, die-cast zinc connectors make it easy to create custom workstations, material shuttles, or flow racks. EcoShape Starter Kit includes 50 standard round tube elements and 20 T-slot enabled elements in 5600 mm lengths, as well as hundreds of EcoShape connection elements.

For complete engineering and design information:
GoTo www.boschrexroth-us.com/GoToEcoShape

Features:

- Easy handling: cut and assemble on site
- Recyclable aluminum profiles
- Only 14 standard components
- ESD-conductive material
- Modular system based on the kaizen principle
- Time-saving, error-free assembly (poka yoke)
- Fast planning with MTpro software

Technical Data

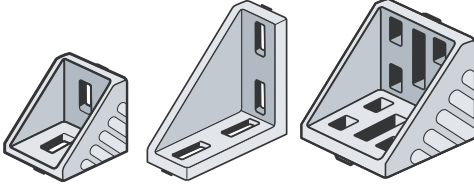
- Anodized aluminum profiles
Material number according to DIN (ISO)– Metric 3.3206.7 (U.S. Equivalent 6063 T6)
- Round tube connectors & adapters
Material: Diecast zinc
- Cap, D28L threaded sleeve, XLean holder adapter
Material: PA 66, black
- Slide rail
Material: PVC, gray

See Page 27 for part numbers and ordering information

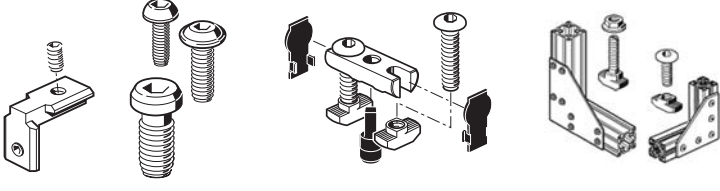
GoTo Focused Delivery Program: Part Numbers

Page Number	Part Number	Description	Maximum Quantity	Shipment
		 <p style="text-align: center;">GoTo www.boschrexroth-us.com/GoToProfiles</p> <p>Profiles</p>		
6	3842517179	Profile 20x20, pkg. of 20, 3000mm long	1	24hr
6	3842517173	Profile 20x20, single, 3000mm long	20	24hr
6	3842537816	Profile 20x40, pkg. of 24, 3000mm long	1	24hr
6	3842517178	Profile 20x40, single, 3100mm long	24	24hr
6	3842501574	Profile 30x30, pkg. of 20, 6000mm long	1	24hr
6	3842502538	Profile 30x30, single, 6000mm long	20	24hr
6	3842512603	Profile 30x60, pkg. of 20, 5600mm long	1	24hr
6	3842512930	Profile 30x60, single, 5600mm long	20	24hr
6	3842529339	Profile 40x40, pkg. of 20, 6000mm long	1	24hr
6	3842529340	Profile 40x40, single, 6000mm long	20	24hr
6	3842529341	Profile 40x80L, pkg. of 12, 6070mm long	1	24hr
6	3842529342	Profile 40x80L, single, 6170mm long	12	24hr
6	8981004744	Profile 45x45, pkg. of 20, 6000mm long	2	24hr
6	8981004773	Profile 45x45, single, 6000mm long	40	24hr
6	3842315100	Profile 45x45H, pkg. of 20, 6000mm long	1	24hr
6	3842507125	Profile 45x45H, single, 6000mm long	20	24hr
6	3842506957	Profile 45x45L 2NVS, pkg. of 20, 5600mm long	1	24hr
6	3842506961	Profile 45x45L 2NVS, single, 5700mm long	20	24hr
6	3842506959	Profile 45x45L 3N, pkg. of 20, 5600mm long	1	24hr
6	3842506963	Profile 45x45L 3N, single, 5700mm long	20	24hr
6	3842315122	Profile 45x60H, pkg. of 20, 6000mm long	1	24hr
6	3842507127	Profile 45x60H, single, 6000mm long	12	24hr
6	3842511782	Profile 45x90, pkg. of 12, 5600mm long	1	24hr
6	3842511781	Profile 45x90, single, 5600mm long	1	24hr
6	3842315126	Profile 60x60, pkg. of 20, 6000mm long	1	24hr
6	3842507716	Profile 60x60, single, 6100mm long	20	24hr
6	3842511872	Profile 60x60L, pkg. of 20, 5600mm long	1	24hr
6	3842511871	Profile 60x60L, single, 5700mm long	20	24hr
6	3842509658	Profile 90x90, pkg. of 6, 5600mm long	1	24hr
6	3842509659	Profile 90x90, single, 5600mm long	6	24hr

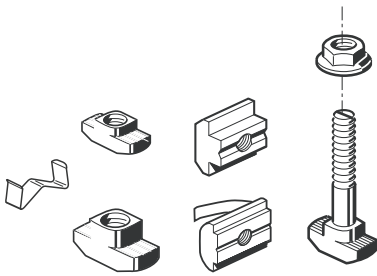
GoTo Focused Delivery Program: Part Numbers

Page Number	Part Number	Description	Minimum Quantity	Shipment
		 <p>GoTo www.boschrexroth-us.com/GoToGussets</p> <p>Gussets</p>		
7	3842523508	20x20 Gusset Only	100	24hr
7	3842523511	20x20 Gusset with fasteners	75	24hr
7	3842523520	20x40 Gusset with fasteners	20	24hr
7	3842523525	30x30 Gusset Only	100	24hr
7	3842523528	30x30 Gusset with fasteners	100	24hr
7	3842523530	30x30 Gusset with fasteners, 8mm to 10mm	20	24hr
7	3842523538	30x60 Gusset only	20	24hr
7	3842523541	30x60 Gusset with fasteners	30	24hr
7	3842528967	40x40 Gusset Only	20	24hr
7	3842529383	40x40 Gusset with fasteners	40	24hr
7	3842523558	45x45 Gusset Only	250	24hr
7	3842523561	45x45 Gusset with fasteners	250	24hr
7	3842523563	45x45 Round cover cap	75	24hr
7	3842523567	45x90 Gusset Only	100	24hr
7	3842523570	45x90 Gusset with fasteners	200	24hr
7	3842523546	60x60 Gusset Only	50	24hr
7	3842523553	60x60 Gusset with fasteners	20	24hr
7	3842523575	90x90 Gusset Only	50	24hr
7	3842523578	90x90 Gusset with fasteners	50	24hr
7	3842518424	45mm adjustable gusset with fasteners	20	24hr
7	3842515547	30mm adjustable gusset with fasteners	10	24hr
7	3842536672	40/45 Panel mount gusset with fasteners	20	24hr

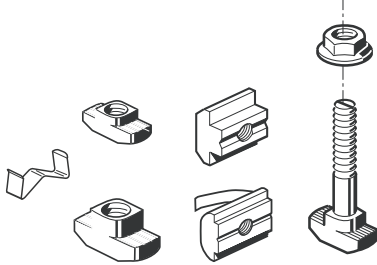
GoTo Focused Delivery Program: Part Numbers

Page Number	Part Number	Description	Maximum Quantity	Shipment
		 <p style="text-align: center;">GoTo www.boschrexroth-us.com/GoToConnectors</p> <p>Profile Connectors</p>		
8	3842535571	10mm Inside-to-inside gusset (Lot size 10)	40	24hr
8	3842535577	8mm Inside-to-inside gusset (Lot size 10)	40	24hr
8	3842535578	8mm Inside-to-outside gusset (Lot size 10)	20	24hr
8	3842535572	10mm Inside-to-outside gusset (Lot size 10)	20	24hr
8	3842523968	S6x16 Self-tapping connection screw, 4mm socket head	300	24hr
8	3842523970	S8x25 Self-tapping connection screw, 5mm socket head	300	24hr
8	3842527174	S8x25 Self-tapping connection screw, T-40 Torx head	100	24hr
8	8981021302	S12x30 Self-tapping connection screw, 8mm socket head	300	24hr
8	3842530236	S12x30 Self-tapping connection screw, T-50 Torx head	20	24hr
8	8981021301	M12x30 Connection screw, 8mm socket head	300	24hr
8	3842530235	M13x30 Connection screw, T50 Torx head	40	24hr
8	3842535459	8mm Quick Connector/Rigid, Vertical Access (Lot size 10)	40	24hr
8	3842535465	8mm Quick Connector/Rigid, Horizontal Access (Lot size 10)	20	24hr
8	3842535458	10mm Quick Connector/Rigid, Vertical Access (Lot size 10)	200	24hr
8	3842535466	10mm Quick Connector/Rigid, Horizontal Access (Lot size 10)	50	24hr
9	3842528746	10mm Connection Link Kit, 180mm long	10	24hr
9	3842535624	30mm Bolt Connector Kit (Lot size 10)	20	24hr
9	3842535583	30mm Bolt Connector Kit 8mm to 10mm (Lot size 10)	10	24hr
9	3842500921	45mm Bolt Connector Kit (Lot size 10)	100	24hr
9	3842500923	90mm Bolt Connector Kit (Lot size 10)	50	24hr
9	8981019448	Stiffening Plate CRNR JOIN PLT 45 SER	10	24hr
9	8981019457	Stiffening Plate CRNR JN PLATE 30 SER	10	24hr
9	8981019450	Stiffening Plate T-JNCTN PLT 45 SER	10	24hr
9	8981019461	Stiffening Plate T-JNCTN JN PLT 30 SER	10	24hr
9	8981019449	Stiffening Plate JOIN PLATE 45 SER	10	24hr
9	8981019458	Stiffening Plate RCTNGR JN PLT 30 SER	10	24hr
9	8981019452	Stiffening Plate CRNR JOIN PLT 90 SER	10	24hr
9	8981019455	Stiffening Plate T-JNCTN JN PLT 90 SER	10	24hr

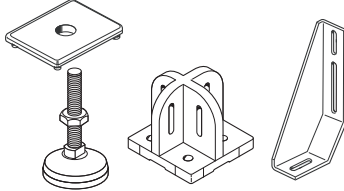
GoTo Focused Delivery Program: Part Numbers

Page Number	Part Number	Description	Maximum Quantity	Shipment
		 <p style="text-align: center;">GoTo www.boschrexroth-us.com/GoToT-Connectors</p> <p style="text-align: center;">T-nuts and T-bolts</p>		
10	3842523135	6mm T-nut, M4 threads	200	24hr
10	3842501751	8mm T-nut, M4 threads	100	24hr
10	3842501752	8mm T-nut, M5 threads	100	24hr
10	3842501753	8mm T-nut, M6 threads	300	24hr
10	8981020861	8mm T-nut, M6 threads, nickel-plated	20	24hr
10	8981016124	8mm T-nut, 1/4" X 20 U.N.C. threads	50	24hr
10	8981016122	8mm T-nut, 8-32 U.N.C. threads	20	24hr
10	8981016123	8mm T-nut, 10-32 U.N.F. threads	60	24hr
10	3842530281	10mm T-nut, M4 threads	100	24hr
10	3842530283	10mm T-nut, M5 threads	200	24hr
10	3842530285	10mm T-nut, M6 threads	300	24hr
10	3842530287	10mm T-nut, M8 threads	400	24hr
10	8981019580	10mm T-nut, M8 threads, nickel-plated	10	24hr
10	8981021323	10mm T-nut, 1/4" x 20 U.N.C. threads	300	24hr
10	8981021324	10mm T-nut, 5/16" x 18 U.N.C. threads	200	24hr
10	8981021321	10mm T-nut, 8-32 U.N.C. threads	20	24hr
10	8981021322	10mm T-nut, 10-32 U.N.F. threads	60	24hr
10	3842111987	10mm Plastic T-nut, M4 threads (Lot size 100)	100	24hr
10	3842111988	10mm Plastic T-nut, M5 threads (Lot size 100)	100	24hr
10	3842111989	10mm Plastic T-nut, M6 threads (Lot size 100)	100	24hr
10	8981019577	8mm T-bolt fastening kit, L=14mm	100	24hr
10	8981019578	8mm T-bolt fastening kit, L=18mm	100	24hr
10	8981019579	8mm T-bolt fastening kit, L=23mm	20	24hr
10	8981021342	10mm T-bolt fastening kit, L=14mm	200	24hr
10	8981021343	10mm T-bolt fastening kit, L=19mm	300	24hr
10	8981021344	10mm T-bolt fastening kit, L=24mm	200	24hr
10	8981021345	10mm T-bolt fastening kit, L=34mm	100	24hr
10	8981021346	10mm T-bolt fastening kit, L=44mm	30	24hr
10	8981021347	10mm T-bolt fastening kit, L=54mm	20	24hr
10	8981021555	10mm T-bolt fastening kit, L=1", 5/16-18	20	24hr
10	8981021554	10mm T-bolt fastening kit, L=3/4", 5/16-18	10	24hr
10	3842 345081	M8 Flange nut only for 10mm T-nut	200	24hr

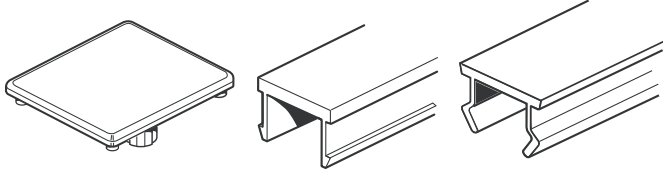
GoTo Focused Delivery Program: Part Numbers

Page Number	Part Number	Description	Maximum Quantity	Shipment
		 <p><i>GoTo www.boschrexroth-us.com/GoToT-Connectors</i></p> <p>T-Blocks, Springs and Swivel-in T-Blocks</p>		
11	3842523140	6mm T-block, M4	100	24hr
11	3842523142	6mm T-block, M5	30	24hr
11	3842523145	Spring for 6mm T-block	40	24hr
11	3842514928	8mm T-block, M4	40	24hr
11	3842514929	8mm T-block, M5	50	24hr
11	3842514930	8mm T-block, M6	50	24hr
11	3842514931	8mm T-block, M8	50	24hr
11	3842516685	Spring for 8mm T-block	50	24hr
11	3842528741	10mm T-block, M5	20	24hr
11	3842528738	10mm T-block, M6	100	24hr
11	3842528735	10mm T-block, M8	100	24hr
11	3842516669	Spring for 10mm T-block	50	24hr
11	3842529320	8mm Swivel-in T-block, M6	20	24hr
11	3842529296	8mm Swivel-in T-block with spring M5	20	24hr
11	3842529297	8mm Swivel-in T-block with spring M8	20	24hr
11	3842529324	10mm Swivel-in T-block, M8	20	24hr
11	3842529299	10mm Swivel-in T-block with spring M6	20	24hr
11	3842529300	10mm Swivel-in T-block with spring M8	50	24hr

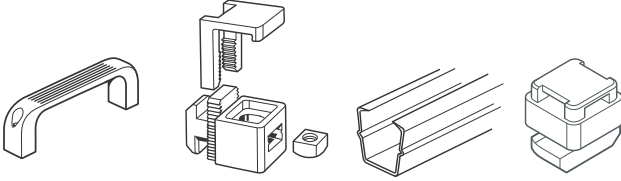
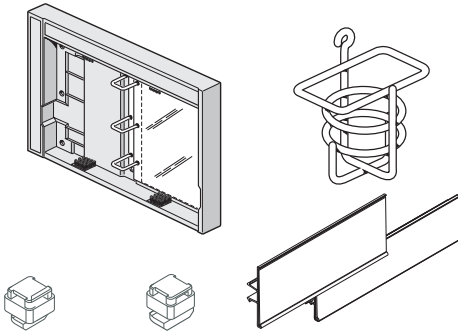
GoTo Focused Delivery Program: Part Numbers

Page Number	Part Number	Description	Maximum Quantity	Shipment
		 <p>GoTo www.boschrexroth-us.com/GoToFloor</p> <p>Floor to Frame Elements</p>		
12	3842502257	M8x30 Leveling Foot (for 8mm T-slotted profiles)	12	24hr
12	3842352061	M12x44 Leveling Foot (for 10mm T-slotted profiles)	20	24hr
12	3842511893	M12x58 Leveling Foot (for 10mm T-slotted profiles)	20	24hr
12	3842311951	M16x90x145 Leveling Foot (for 10mm T-slotted profiles)	12	24hr
12	3842523442	45x45 End Cap with hole	20	24hr
13	3842146815	160mm Foundation Bracket	20	24hr
13	3842146848	210mm Foundation Bracket	20	24hr
13	8981003224	210mm Foundation Bracket with mounting hardware	20	24hr
13	3842523583	45x180 Foundation Bracket	10	24hr
13	3842526560	8mm Anchor bolt, L=76mm	20	24hr
13	3842527553	120x120x110 Footplate	12	24hr
13	3842529025	M12x72.5 Leveling Foot, D30	20	24hr

GoTo Focused Delivery Program: Part Numbers

Page Number	Part Number	Description	Maximum Quantity	Shipment
		 <p style="text-align: center;"><i>GoTo www.boschrexroth-us.com/GoToCover</i></p> <p>End Caps and Cover Strip</p>		
14	3842517243	20x20 End Cap (black)	50	24hr
14	3842501232	30x30 End Cap (black)	200	24hr
14	3842516506	30x30 End Cap (light gray)	20	24hr
14	3842528968	40x40 End Cap (black)	30	24hr
14	3842502674	45x45 End Cap (black)	300	24hr
14	3842517058	45x45 End Cap (black) ESD	30	24hr
14	3842517059	45x45 End Cap (light gray)	20	24hr
14	3842523442	45x45 End Cap with hole	20	24hr
14	3842511783	45x90 End Cap (black)	50	24hr
14	3842511874	60x60 End Cap (black)	20	24hr
14	3842516214	90x90 End Cap (black)	20	24hr
15	3842501962	8mm T-slot Cover strip, black PVC, 2000mm	50	24hr
15	3842518375	8mm T-slot Cover strip, light gray PVC, 2000mm	30	24hr
15	3842146901	10mm T-slot Cover strip, black PVC, 2000mm	100	24hr
15	3842518367	10mm T-slot Cover strip, light gray PVC, 2000mm	50	24hr
15	3842518369	10mm T-slot Cover strip, yellow PVC, 2000mm	50	24hr
15	3842523258	10mm T-slot Cover strip, Aluminum, 2000mm	50	24hr

GoTo Focused Delivery Program: Part Numbers

Page Number	Part Number	Description	Maximum Quantity	Shipment
		 <p style="text-align: center;">GoTo www.boschrexroth-us.com/GoToAccessories</p> <p>Other Accessories</p>		
16	3842525480	Medium strap handle, 8mm or 10mm T-slot	50	24hr
16	3842525766	Large strap handle, 8mm or 10mm T-slot	10	24hr
16	3842519565	Panel support base, 2000mm	30	24hr
16	3842519567	Panel support glazing strip, 2000mm	30	24hr
16	3842518347	8mm panel support insert, 2000mm	50	24hr
16	3842518351	10mm panel support insert, 2000mm	50	24hr
16	3842146906	Heavy Duty 10mm panel support insert, 2000mm	50	24hr
16	3842535696	8mm Variofix Fastener without clip	50	24hr
16	3842529239	10mm Variofix Fastener without clip	100	24hr
16	3842184738	8mm & 10mm Variofix detent clip	20	24hr
		 <p style="text-align: center;">GoTo www.boschrexroth-us.com/GoToAccessories</p>		
17	3842540429	Bottle holder, ESD	2	24hr
17	3842537135	Rubber profile footrest, 2000mm, ESD (Lot size 10)	10	24hr
17	3842517164	Information board	2	24hr
17	3842539839	Removable transparent sleeves (Lot size 10)	30	24hr
17	3842537650	Lettering clip 22x102mm	20	24hr
17	3842537651	Lettering clip 38x102mm	20	24hr
17	3842526565	Cable Carrier for 8mm T-slots	50	24hr
17	3842526564	Cable Carrier for 10mm T-slots	200	24hr
17	3842523014	Cable conduit 45x45, 2000mm	10	24hr

GoTo Focused Delivery Program: Part Numbers

Page Number	Part Number	Description	Maximum Quantity	Shpment
		 <p style="text-align: center;">GoTo www.boschrexroth-us.com/GoToEcoShape</p> <p>EcoShape Tubular Framing</p>		
18	3842541173	Connector, 90°	200	24hr
18	3842541175	Connector, 45°	20	24hr
18	3842541178	Connector, 0°-90°	20	24hr
18	3842541181	Connector, Cross	20	24hr
18	3842541183	Connector, Parallel	20	24hr
18	3842541185	Threaded Sleeve, D28L	60	24hr
18	3842541187	Adapter, N10/45	20	24hr
18	3842541190	Adapter, N10/30	20	24hr
18	3842541193	Pipe Clamp, D28 N10	20	24hr
18	3842541195	Cap Cover, D28L, BLACK ESD	60	24hr
18	3842541196	Slide Rail, GREY L=2000MM	10	24hr
18	3842541211	Section Tube, D28L 50X5600	1	24hr
18	3842541212	Section Tube, D28L L=5600MM	50	24hr
18	3842541213	Section Tube, D28L/N10 20X5600	1	24hr
18	3842541214	Section Tube, D28L/N10 L=5600MM	20	24hr
18	3842541296	Adapter, XLEAN RAIL HOLDER	20	24hr
18	3842555000	EcoShape Starter Kit	1	24hr

Bosch Rexroth Corporation

Corporate Headquarters
5150 Prairie Stone Parkway
Hoffman Estates, IL 60192-3707
Telephone (847) 645-3600
Facsimile (847) 645-6201
www.boschrexroth-us.com

USA

Bosch Rexroth Corporation
Electric Drives and Controls
5150 Prairie Stone Parkway
Hoffman Estates, IL 60192-3707
Telephone (847) 645-3600
Facsimile (847) 645-6201

Bosch Rexroth Corporation
Hydraulics
2315 City Line Road
Bethlehem, PA 18017-2131
Telephone (610) 694-8300
Facsimile (610) 694-8467

Bosch Rexroth Corporation
Linear Motion and Assembly
Technologies
14001 South Lakes Drive
Charlotte, NC 28273
Telephone (800) 438-5983
Facsimile (704) 583-0523

816 E. Third Street
Buchanan, MI 49107
Telephone (800) 322-6724
Facsimile (269) 695-3446

Bosch Rexroth Corporation
Hydraulics
8 Southchase Court
Fountain Inn, SC 29644-9018
Telephone (864) 967-2777
Facsimile (864) 967-8900

Bosch Rexroth Corporation
Pneumatics
1953 Mercer Road
Lexington, KY 40511-1021
Telephone (859) 254-8031
Facsimile (859) 281-3491

Bosch Rexroth

Regional Sales Offices:

Central

Bosch Rexroth Corporation
5150 Prairie Stone Parkway
Hoffman Estates, IL 60192-3707
Telephone (847) 645-3600
Facsimile (847) 645-6201

Great Lakes

Bosch Rexroth Corporation
2730 Research Drive
Rochester Hills, MI 48309
Telephone (248) 267-4000
Facsimile (248) 853-2033

Northeast

Bosch Rexroth Corporation
99 Rainbow Road
East Granby, CT 06026
Telephone (860) 844-8377
Facsimile (860) 844-8595

Bosch Rexroth Corporation
2315 City Line Road
Bethlehem, PA 18017-2131
Telephone (610) 694-8300
Facsimile (610) 694-8467

Southeast

Bosch Rexroth Corporation
14001 South Lake Drive
Charlotte, NC 28273
Telephone (800) 438-5983
Facsimile (704) 583-0523

Southwest

Bosch Rexroth Corporation
1520 Selene Drive, Suite 104
Carrollton, TX 75006
Telephone (972) 245-6718
Facsimile (972) 242-2850

West

Bosch Rexroth Corporation
7901 Stoneridge Drive, Suite 220
Pleasanton, CA 94588
Telephone (925) 227-1074
Facsimile (925) 227-1081

Bosch Rexroth Corporation
13766 Alton Parkway, Suite 147
Irvine, CA 92618-1622
Telephone (949) 609-1640
Facsimile (888) 873-3434

The data specified herein only serves to describe the product. No statements concerning a certain condition or suitability for a certain application can be derived from our information. The given information does not release the user from obligation of own judgment and verification. It must be remembered that our products are subject to a natural process of wear and aging.

©This document, as well as the data, specifications and other information set forth in it, are the exclusive property of Bosch Rexroth Corp. Without their consent it may not be reproduced or given to third parties.