

Preparation of compressed air ► Maintenance units and components

Filter pressure regulator, Series AS3-FRE

► 3/8 NPT - 1/2 NPT ► filter porosity: 5 µm ► lockable ► for padlocks ► with pressure gauge



00119372

Version	1-in-1, Can be assembled into blocks
Parts	Filter, Pressure regulator
Mounting orientation	vertical
Working pressure min./max.	See table below
Medium	Compressed air Neutral gases
Medium temperature min./max.	-10 °C / +50 °C
Ambient temperature min./max.	-10 °C / +50 °C
Regulator type	Diaphragm-type pressure regulator
Regulator function	with relieving air exhaust
Adjustment range min./max.	0.5 bar / 8 bar
Pressure supply	single
Filter reservoir volume	49 cm ³
Filter element	exchangeable
Condensate drain	See table below
Materials:	
Housing	Polyamide
Front plate	Acrylonitrile butadiene styrene
Seals	Acrylonitrile Butadiene Rubber
Threaded bushing	Die cast zinc
Filter insert	Polyethylene

Technical Remarks

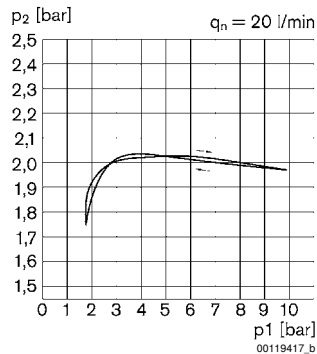
- The pressure dew point must be at least 15 °C under ambient and medium temperature and may not exceed 3 °C.
- Note: Polycarbonate reservoirs are susceptible to solvents, supplementary information can be found at "Customer information".
- These pneumatic components with NPT or inch thread dimensions are only available from our US sales organization.

Filter pressure regulator, Series AS3-FRE

► 3/8 NPT - 1/2 NPT ► filter porosity: 5 µm ► lockable ► for padlocks ► with pressure gauge

	Port	Qn	Working pressure min./max.	Condensate drain	Weight		Note	Part No.
		[l/min]	[bar]		[kg]			
	3/8 NPT	5100	2 / 16	semi-automatic, open without pressure	0.658	suitable for ATEX	1); 3)	R432001988
	3/8 NPT		2 / 16	fully automatic, open without pressure	0.707	suitable for ATEX	1); 3)	R432001989
	3/8 NPT		0 / 16	fully automatic, closed without pressure	0.707	suitable for ATEX	1); 3)	R432001990
	3/8 NPT		2 / 16	semi-automatic, open without pressure	0.89	suitable for ATEX	2)	R432002135
	3/8 NPT		2 / 16	fully automatic, open without pressure	0.943	suitable for ATEX	2)	R432002136
	3/8 NPT		0 / 16	fully automatic, closed without pressure	0.943	suitable for ATEX	2)	R432002137
	1/2 NPT		2 / 16	semi-automatic, open without pressure	0.658	suitable for ATEX	1); 3)	R432001991
	1/2 NPT		2 / 16	fully automatic, open without pressure	0.707	suitable for ATEX	1); 3)	R432001992
	1/2 NPT		0 / 16	fully automatic, closed without pressure	0.707	suitable for ATEX	1); 3)	R432001993
	1/2 NPT		2 / 16	semi-automatic, open without pressure	0.87	suitable for ATEX	2)	R432002141
	1/2 NPT		2 / 16	fully automatic, open without pressure	0.922	suitable for ATEX	2)	R432002142
	1/2 NPT		0 / 16	fully automatic, closed without pressure	0.922	-	2)	R432002143

Pressure gauge enclosed separately
 1) Reservoir: Polycarbonate
 2) Reservoir: Die cast zinc
 3) Protective guard: Polyamide
 Nominal flow Qn with secondary pressure p2 = 6 bar at Δp = 1 bar

Pressure characteristics curve


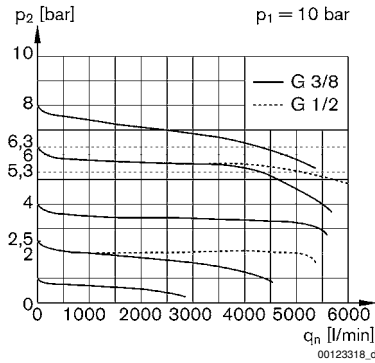
p1 = Working pressure
 p2 = Secondary pressure
 qn = Nominal flow

Preparation of compressed air ▶ Maintenance units and components

Filter pressure regulator, Series AS3-FRE

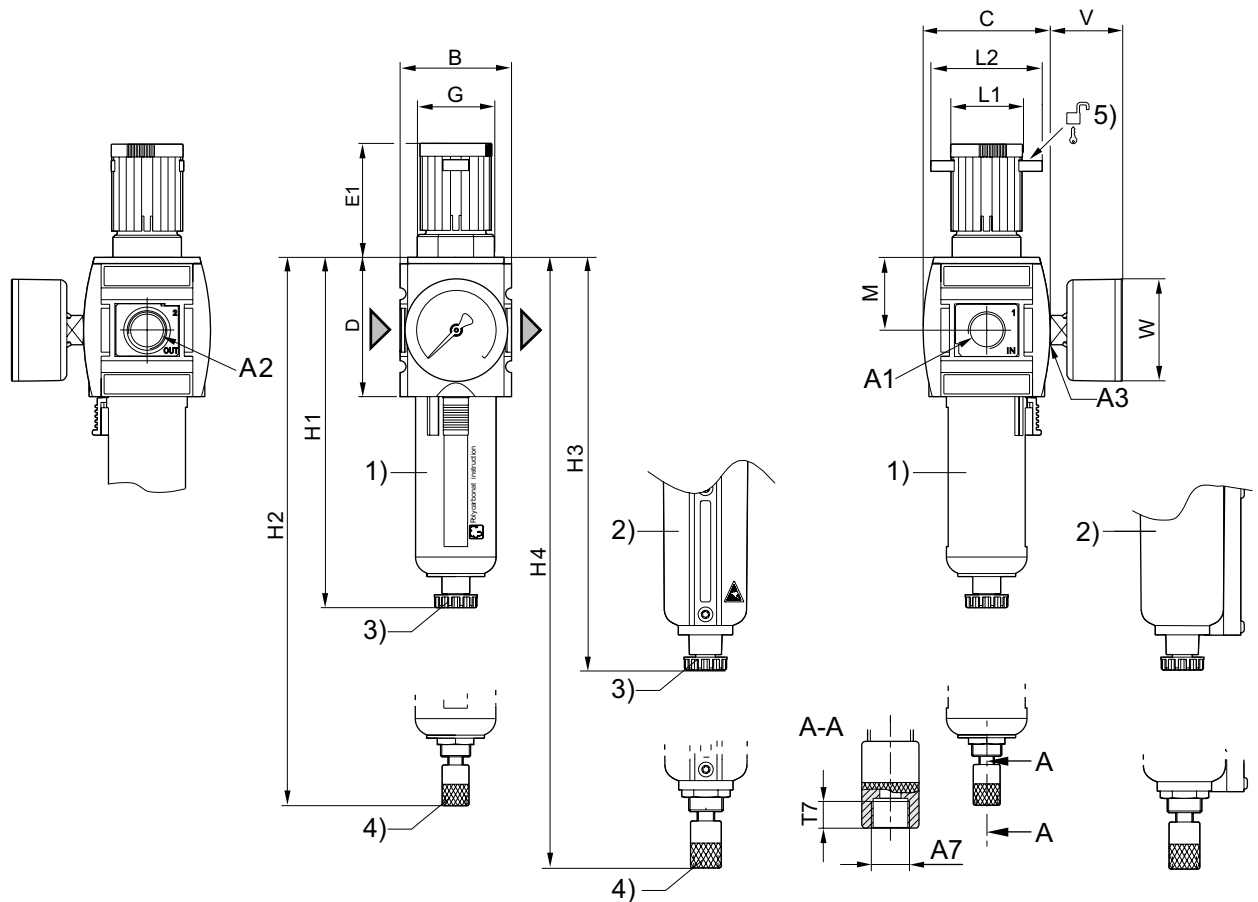
▶ 3/8 NPT - 1/2 NPT ▶ filter porosity: 5 μm ▶ lockable ▶ for padlocks ▶ with pressure gauge

Flow rate characteristic (p₂: 0,5 - 8 bar)



p₁ = Working pressure
 p₂ = Secondary pressure
 q_n = Nominal flow

Dimensions in inches



- 1) Plastic reservoir and protective guard with window
- 2) Metal reservoir with level indicator
- 3) Semi-automatic condensate drain
- 4) Fully automatic condensate drain
- 5) Mounting option for padlocks; max. shackle Ø 8

00123324

Part numbers marked in bold are available from the central warehouse in Germany, see the shopping basket for more detailed information

Pneumatics catalog, online PDF, as of 2016-12-20, ©AVENTICS S.à r.l., subject to change

Buy: www.ValinOnline.com | Phone: 844-385-3099 | Email: CustomerService@valin.com

Filter pressure regulator, Series AS3-FRE

► 3/8 NPT - 1/2 NPT ► filter porosity: 5 µm ► lockable ► for padlocks ► with pressure gauge

Dimensions in inches

A1	A2	A3	A7	B	C	D	E1	G	H1	H2	H3	H4
3/8 NPT	3/8 NPT	1/4 NPT	G 1/8	2.48	2.91	3.15	2.5	M42x1,5	7.46	--	--	--
3/8 NPT	3/8 NPT	1/4 NPT	G 1/8	2.48	2.91	3.15	2.5	M42x1,5	--	8.11	--	--
3/8 NPT	3/8 NPT	1/4 NPT	G 1/8	2.48	2.91	3.15	2.5	M42x1,5	--	--	7.62	--
3/8 NPT	3/8 NPT	1/4 NPT	G 1/8	2.48	2.91	3.15	2.5	M42x1,5	--	--	--	8.29
1/2 NPT	1/2 NPT	1/4 NPT	G 1/8	2.48	2.91	3.15	2.5	M42x1,5	7.46	--	--	--
1/2 NPT	1/2 NPT	1/4 NPT	G 1/8	2.48	2.91	3.15	2.5	M42x1,5	--	8.11	--	--
1/2 NPT	1/2 NPT	1/4 NPT	G 1/8	2.48	2.91	3.15	2.5	M42x1,5	--	--	7.62	--
1/2 NPT	1/2 NPT	1/4 NPT	G 1/8	2.48	2.91	3.15	2.5	M42x1,5	--	--	--	8.29

A1	L1	L2	M	V	W							
3/8 NPT	1.61	2.36	1.67	1.3	1.97							
3/8 NPT	1.61	2.36	1.67	1.3	1.97							
3/8 NPT	1.61	2.36	1.67	1.3	1.97							
3/8 NPT	1.61	2.36	1.67	1.3	1.97							
1/2 NPT	1.61	2.36	1.67	1.3	1.97							
1/2 NPT	1.61	2.36	1.67	1.3	1.97							
1/2 NPT	1.61	2.36	1.67	1.3	1.97							
1/2 NPT	1.61	2.36	1.67	1.3	1.97							