

SERIES AS AIR PREPARATION UNITS AS2, AS3 AND AS5

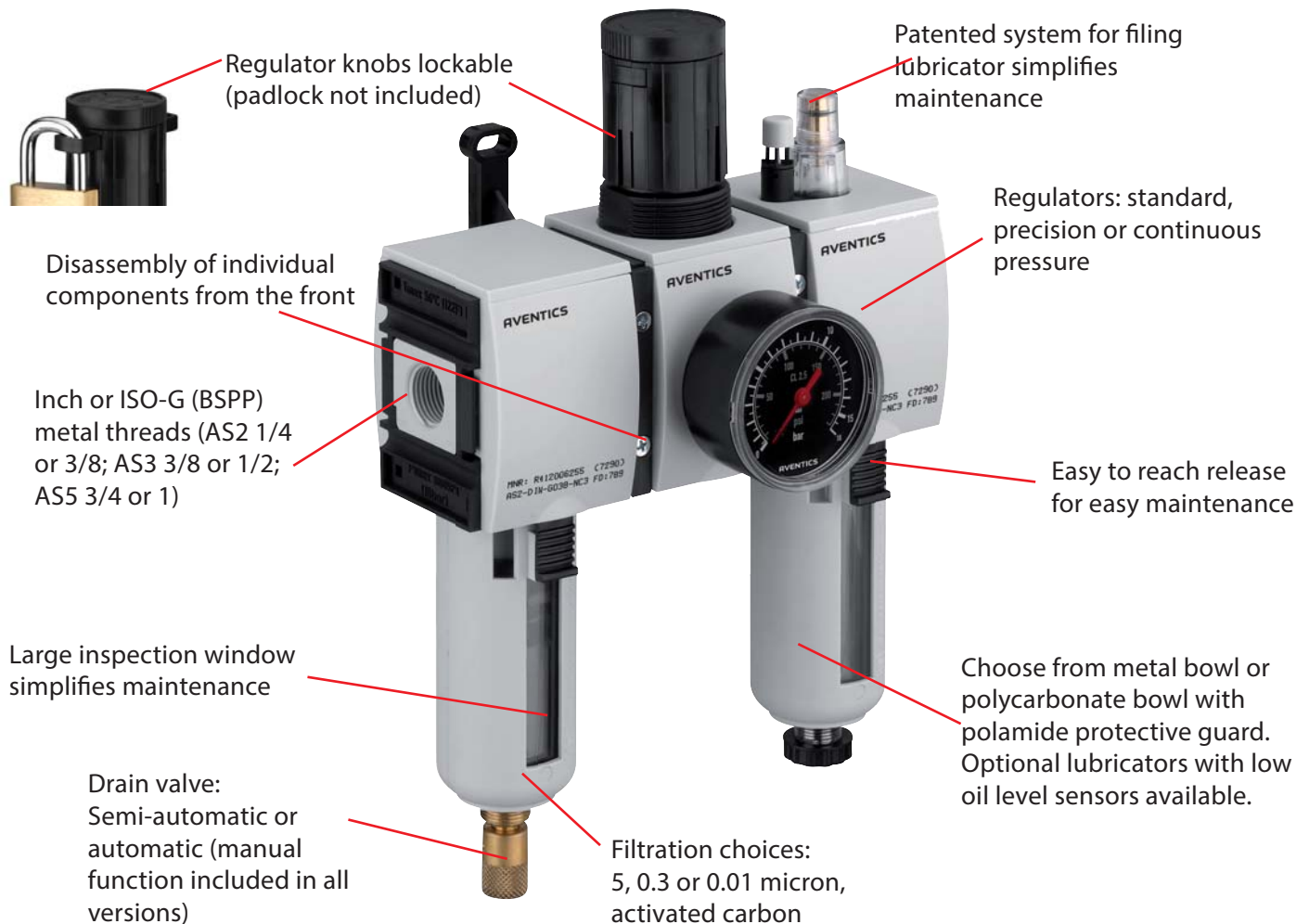
Pneumatics
It's that easy



Series AS Air Preparation Units

Series AS2, AS3 and AS5 feature a smooth, light-weight polymer design

The Series AS air prep family includes individual filters, regulators and lubricators plus many other components which are modular in design, allowing both standard and custom combinations. The smooth surfaces are important in applications like food and packaging. Available with inch or ISO-G (BSPP) ports, the AS line is very versatile and has functionality that corresponds to current industry demands.



Focused
Delivery
Program

Many versions of THE SERIES AS FRL are available on our Quick Ship Focused delivery program, visit: www.aventics.com/us/QuickShipAS

Compressed air maintenance unit, series AS2, AS3, AS5

Table of Contents

AVENTICS[®]



	Page
Model codes and descriptions.....	2
Series AS2 Inch version, 1/4" and 3/8" NPT	3
Series AS3 Inch version, 3/8" and 1/2" NPT	36
Series AS5 Inch version, 3/4" and 1" NPT	70
Series AS2 Metric version, G1/4 and G3/8	97
Series AS3 Metric version, G3/8 and G1/2	130
Series AS5 Metric version, G3/4 and G1	165
Accessories index	194
AS2 mounting brackets and other accessories	195
AS3 mounting brackets and other accessories	204
AS5 mounting brackets and other accessories	213
AS2, AS3, AS5 Sensor series ST6 (for low oil level sensing) ..	219
AS2, AS3, AS5 Transition plate, CNOMO	220
AS2, AS3, AS5 Transition plate to join different sizes	220
AS2, AS3, AS5 Pressure switches, mechanical	221
AS2, AS3, AS5 Contamination display	223
Replacement filter elements/Regulator repair kits.....	223
AS2, AS3 Diaphragm-type dryer	224
AS2, AS3, AS5 Pressure gauges (for metric versions)	225
AS2, AS3, AS5 Pressure gauges (for inch versions).....	226
Technical information	227

Compressed air maintenance unit, series AS2, AS3, AS5

Model codes and descriptions



Size	AS2	Air Service unit, 1/4" and 3/8"
	AS3	Air Service unit, 3/8" and 1/2"
	AS5	Air Service unit, 3/4" and 1"
Ports	N014	1/4" NPT
	N038	3/8" NPT
	N012	1/2" NPT
	N034	3/4" NPT
	N100	1" NPT
	G014	G 1/4
	G038	G 3/8
	G012	G 1/2
	G034	G 3/4
	G100	G 1
X000	Independent of port size	
Drain	AC	Float drain (N.C.), stays closed without pressure
	AO	Float drain (N.O.), drains without pressure
	HO	Semi automatic drain (N.O.)
	NON	No drain (hex drain plug)
Filtration	40.00	40 micron filtration (FLS)
	25.00	25 micron filtration (FLS)
	5.00	5 micron filtration (FLS)
	0.30	0.3 micron filtration (standard for Pre-filter)
	0.01	0.01 micron filtration (standard for Coalescing filter)
Gauge	GAN	without Gauge
	GAU	with Gauge
Mounts	MBR-...-W01	Mounting bracket, metal
	MBR-...-W03	Mounting strap (also serves as joiner)
	MBR-...-W04	Block assembly (joiner) kit
	MBR-...-W05	Mounting flange kit with threaded ports
	MBR-...-W06	Control panel nut
Bowl	PBP	Polycarbonate bowl with Polyamide bowl guard
	SSS	Short Metal Bowl with sight glass
	SSN	Short Metal Bowl without sight glass
Operators	024	24V DC Pilot Valve Type DO16
	110	110V AC Pilot Valve Type DO16
	230	230V AC Pilot Valve Type DO16
	PNE	Pneumatically Operated Pilot Valve
	PVN	No Pilot Valve (Prepared for pilot valve type DO16)
	PVC	No Pilot Valve (Prepared for CNOMO pilot valve)
Part Specific	FIA	Adjustable filling rate (types SSU and SSV only)
	LA	Lubricator auto fill (type LBS only)
	MN	Ready for level sensor (type LBS only)
	NC2, NC3 or NC4	2-way, 3-way or 4-way (type DIS only)
	1	No locking mechanism (type BAV only)
	4-ST	Metal locking mechanism (type BAV only)
	RL	Version for air flow right to left
	ICI	Pressure drop indicator (types FLP and FLC only)
Type	Function	Model Code Example
ACD	Combination FRL, piggyback FR+L	AS2-ACD-N038-GAU-080-PBP-AO-05
ACT	Combination FRL, F+R+L	AS2-ACT-N014-GAU-080-SSS-HO-05
BAV	Manual valve (lockout option)	AS2-BAV-N038-MAN
CBS	Spare Lubricator Bowl (for LBS)	AS2-CBS-X000-PBP-LA
CLA	Spare Carbon filter Bowl (for FLA)	AS2-CLA-X000-PBP-NON
CLS	Spare Filter Bowl (for FLS, FLP and FLC)	AS2-CLA-X000-SSS-HO
DIS	Distributor block	AS2-DIS-N014-NC3
FLA	Filter, active carbon	AS2-FLA-N038-PBP
FLC	Coalescing filter, 0.01 micron	AS2-FLC-N014-SSS-AC-00.01
FLP	Prefilter, 0.3 micron	AS2-FLP-N014-SSS-HO-00.30
FLS	Standard Filter, 5 micron	AS2-FLS-N038-PBP-HO-05.00
FRE	Filter Regulator, piggyback	AS2-FRE-N014-GAU-080-SSS-AC-05
LBS	Lubricator, oil drop, with push-button filling	AS2-LBS-N038-PBP-LA
RGP	Precision Regulator	AS2-RGP-N014-GAU-080
RGP...DS	Precision Reg., manifold w/common supply	AS2-RGP-N038-GAN-080-DS
RGS	Standard Regulator	AS2-RGS-N014-GAU-080
RGS...DS	Standard Reg., manifold w/common supply	AS2-RGS-N038-GAN-080-DS
SOV	3/2 dump valve	AS2-SOV-N014-110
SSU	Soft start unit (3/2 dump valve plus soft start)	AS2-SSU-N038-230
SSV	Soft start valve	AS2-SSV-N038-FIA

Compressed air maintenance unit, series AS2-Inch

AS2 Inch (1/4" and 3/8" NPT) version index



	Page
AS2-ACD Combination FR+L maintenance unit, NPT	4
AS2-ACT Combination F+R+L maintenance unit, NPT	6
AS2-RGS Pressure regulator, NPT	8
AS2-RGS-DS Pressure regulator, manifold version, NPT	10
AS2-RGP Precision pressure regulator, NPT	12
AS2-RGP-DS Precision pressure reg., manifold version, NPT....	14
AS2-FRE Filter regulator, NPT	16
AS2-FLS Standard filter (5 micron), NPT	18
AS2-FLP Pre-filter (0.3 micron), NPT	20
AS2-FLC Coalescing filter (0.01 micron), NPT	22
AS2-FLA Active carbon filter, NPT	24
AS2-LBS Lubricator, NPT	26
AS2-SOV 3/2 Dump valve, electrically operated, NPT	28
AS2-SOV 3/2 Dump valve, pneumatically operated, NPT	30
AS2-BAV Manual shut-off valve, lockable option, NPT	32
AS2-SSV Filling valve (soft start), NPT	33
AS2-DIS Distributor block, NPT	35
Accessories index (including repair parts and kits)	194
AS2 Mounting brackets and other accessories	195
Pressure gauges	225

Compressed air maintenance unit, series AS2-Inch

FR+L Maintenance unit AS2-ACD, 2-in-1, 1/4 NPT - 3/8 NPT, ATEX approved



Technical Data

Type	Filter Pressure regulator	Filter element replaceable Diaphragm-type pressure regulator with relief opening and reverse flow capability Regulator knob lockable
	Lubricator	Standard oil-drop lubricator with semi-automatic oil filling Fill level – sight glass with slotted screw adjustment for oil metering. Can be filled with oil during operation
Supply pressure	Condensate drain	semi-automatic: 7 - 232 psi fully automatic : 21 - 232 psi
Secondary pressure		116 psi (max.)
Nominal flow qn		See table
Secondary pressure = 91 psi and Δp = 15 psi		
Temperature range		-10 °C to +50 °C (14 °F to +122 °F) *
Medium		Compressed air
Weight		See table
Installation position		Vertical
Materials	Body Thread insert Reservoir Bowl guard Cover Filter element	Polyamide, seals Buna-N(NBR) Die-cast zinc Polycarbonate or die cast zinc, with bayonet catch Polyamide (polycarbonate bowls only) ABS Polyethylene
Reservoir capacity	Filter Lubricator	28 cm ³ (0.95 U.S. Fl.oz.) 40 cm ³ (1.69 U.S. Fl.oz.)
Filter porosity		5 μm
ATEX:	In zone 1 (gas-ex, category 2G) In zone 21 (dust-ex, category 2D) In zone 2 (gas-ex, category 3G) In zone 22 (dust-ex, category 3D)	



* with dried air

Filter for separating solid impurities up to 5 μm from compressed air and gases

For quality classes according to DIN ISO 8573-1

- Solid impurities: class 3

- Humidity - water content: class 8

Oil type: HL 68 (DIN 51 524 - ISO VG 68)

Standard values for oil metering: 1-2 drops / min at a nominal flow rate of qn = 35 CFM

Plastic containers may only be cleaned with water, soap suds, and other similar, neutral agents.

► - semi and fully automatic condensate drain *

*either opened without pressure (NO) or closed without pressure (NC)

Note: All Series AS filter drains include a manual drain function as standard.

Part no.

Symbol	Threaded ports	Nominal flow qn [CFM]	Supply pressure [psi]	Options	Weight [lbs]	Part no. with pressure gauge (Poly./Metal)
	1/4 NPT	64	7 ... 232	Polycarbonate w/guard or metal bowl, semi-automatic, without pressure: open	1.4	R432000692/R432000695
	1/4 NPT	64	21 ... 232	Polycarbonate w/guard or metal bowl, fully automatic, without pressure: open	1.49	R432000693/R432000696
	1/4 NPT	64	0 ... 232	Polycarbonate w/guard or metal bowl, fully automatic, without pressure: closed	1.49	R432000694/R432000697
	3/8 NPT	71	7 ... 232	Polycarbonate w/guard or metal bowl, semi-automatic, without pressure: open	1.4	R432000698/R432000701
	3/8 NPT	71	21 ... 232	Polycarbonate w/guard or metal bowl, fully automatic, without pressure: open	1.49	R432000699/R432000702
	3/8 NPT	71	0 ... 232	Polycarbonate w/guard or metal bowl, fully automatic, without pressure: closed	1.49	R432000700/R432000703

Accessories (to be ordered separately)

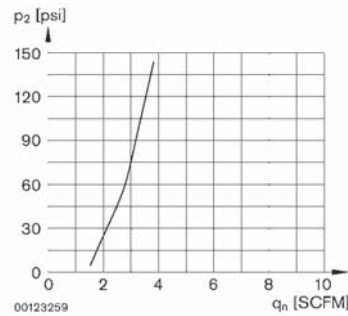
	Accessory	Part no.
	Spare parts kit: see filter pressure regulator valve AS2-FRE and oil-drop lubricator AS2-LBS	
	Mounting plate AS2-MBR-...-W01	R432031071
	Mounting strap AS2-MBR-...-W03	R412006370
	Block assembly kit AS2-MBR-...-W04	R412006371

Compressed air maintenance unit, series AS2-Inch

FR+L Maintenance unit AS2-ACD, 2-in-1, 1/4 NPT - 3/8 NPT, ATEX approved

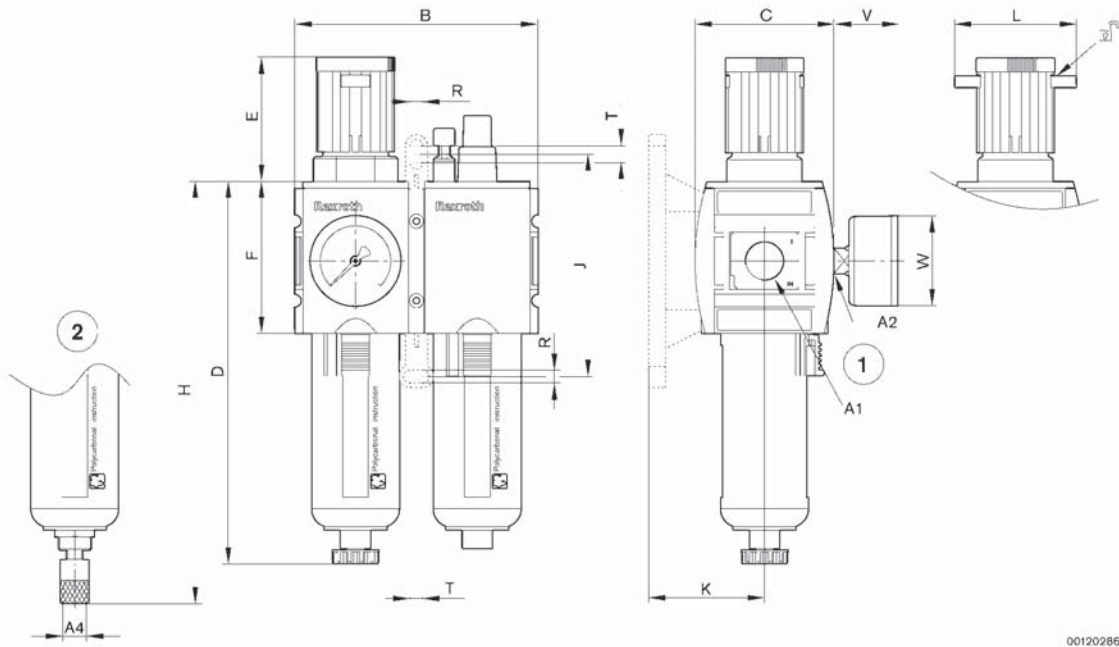
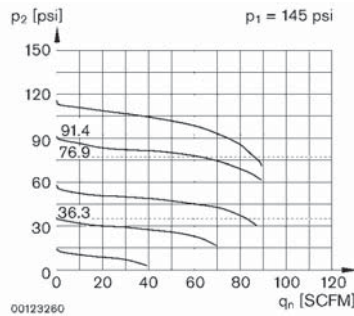


Lubrication activation margin



p_1 = Supply pressure; p_2 = Secondary pressure; q_n = Nominal flow

Flow rate characteristic (setting range p_2 : 0.5 to 8 bar) (7 to 116 psi)



- 1) Semi-automatic condensate drain
- 2) Fully automatic condensate drain

A1	A2	A4	B	C	D	E	F	H	J	K	L	R	T	V	W
1/4 NPT	1/4 NPT	G 1/8	4.094	2.323	6.437	2.094	2.559	7.106	3.740	1.945	2.047	0.213	0.287	1.378	2
3/8 NPT	1/4 NPT	G 1/8	4.094	2.323	6.437	2.094	2.559	7.106	3.740	1.945	2.047	0.213	0.287	1.378	2

Dimensions in inches

Compressed air maintenance unit, series AS2-Inch

FRL Maintenance unit AS2-ACT, 3-in-1, 1/4 NPT - 3/8 NPT, ATEX approved



Technical Data

Type	Filter Pressure regulator	Filter element replaceable Diaphragm-type pressure regulator with relief opening and reverse flow capability Lockable regulator knob
	Lubricator	Standard oil-drop lubricator with semi-automatic oil filling Fill level – sight glass with slotted screw adjustment for oil metering Can be filled with oil during operation
Supply pressure	Condensate drain	semi-automatic: 7 - 232 psi fully automatic : 21 - 232 psi 116 psi (max.)
Secondary pressure		See table
Nominal flow qn		See table
Secondary pressure = 91 psi and Δp = 15 psi		
Temperature range		-10 °C to +50 °C (14 °F to +122 °F) *
Medium		Compressed air
Weight		See table
Installation position		Vertical
Materials	Body Thread insert Reservoir Bowl guard Cover Filter element	Polyamide, seals Buna-N(NBR) Die-cast zinc Polycarbonate or die cast zinc, with bayonet catch Polyamide (polycarbonate bowl only) ABS Polyethylene
Reservoir capacity	Filter Lubricator	28 cm ³ (0.95 U.S. Fl.oz.) 40 cm ³ (1.69 U.S. Fl.oz.)
Filter porosity		5 μm
ATEX:	In zone 1 (gas-ex, category 2G) In zone 21 (dust-ex, category 2D) In zone 2 (gas-ex, category 3G) In zone 22 (dust-ex, category 3D)	



* with dried air

Filter for separating solid impurities up to 5 μm from compressed air and gases

For quality classes according to DIN ISO 8573-1

- Solid impurities: class 3

- Humidity - water content: class 8

Oil type: HL 68 (DIN 51 524 - ISO VG 68)

Standard values for oil metering: 1-2 drops / min at a nominal flow rate of qn = 35 CFM

Plastic containers may only be cleaned with water, soap suds, and other similar, neutral agents.

▶ - semi and fully automatic condensate drain*

* either opened without pressure (NO) or closed without pressure (NC)

Note: All Series AS filter drains include a manual drain function as standard.

Part no.

Symbol	Threaded ports	Nominal flow qn [CFM]	Supply pressure [psi]	Options	Weight [lbs]	Part no. with pressure gauge (Poly./Metal)
	1/4 NPT	49	7 ... 232	Polycarbonate w/guard or metal bowl, semi-automatic, without pressure: open	1.72	R432000704/R432000707
	1/4 NPT	49	21 ... 232	Polycarbonate w/guard or metal bowl, fully automatic, without pressure: open	1.82	R432000705/R432000708
	1/4 NPT	49	0 ... 232	Polycarbonate w/guard or metal bowl, fully automatic, without pressure: closed	1.82	R432000706/R432000709
	3/8 NPT	56	7 ... 232	Polycarbonate w/guard or metal bowl, semi-automatic, without pressure: open	1.72	R432000710/R432000713
	3/8 NPT	56	21 ... 232	Polycarbonate w/guard or metal bowl, fully automatic, without pressure: open	1.82	R432000711/R432000714
	3/8 NPT	56	0 ... 232	Polycarbonate w/guard or metal bowl, fully automatic, without pressure: closed	1.82	R432000712/R432000715

Accessories (to be ordered separately)

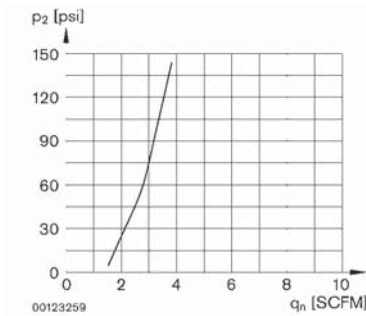
	Accessory	Part no.
	Spare parts kit: see filter pressure regulator valve AS2-FRE and oil drop lubricator AS2-LBS	
	Mounting plate AS2-MBR-...-W01	R432031071
	Mounting strap AS2-MBR-...-W03	R412006370
	Block assembly kit AS2-MBR-...-W04	R412006371

Compressed air maintenance unit, series AS2-Inch

FRL Maintenance unit AS2-ACT, 3-in-1, 1/4 NPT - 3/8 NPT, ATEX approved

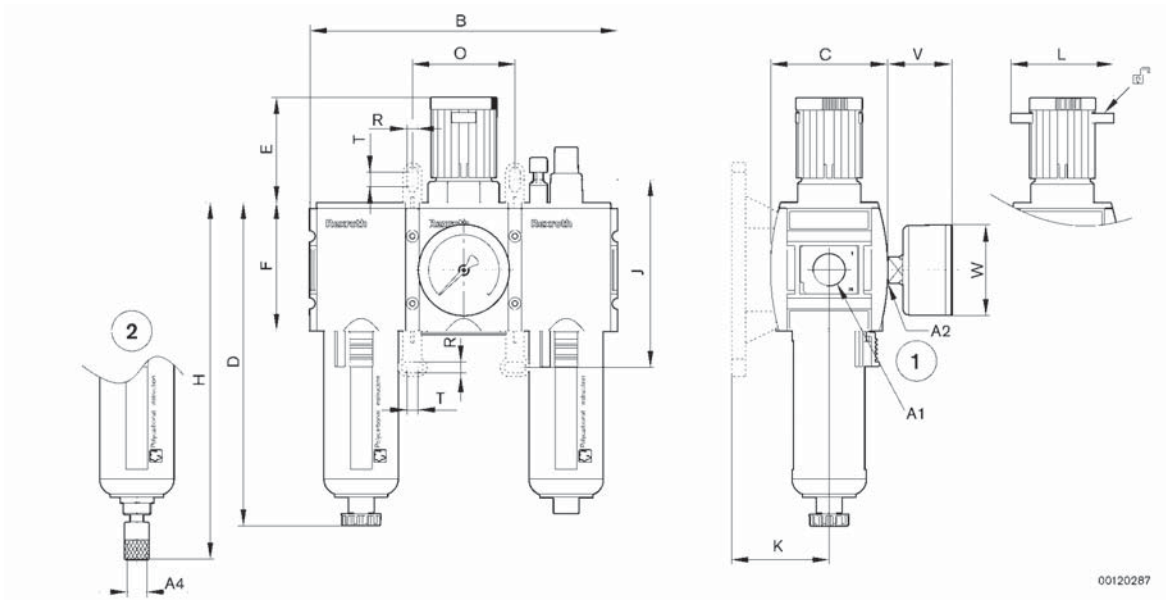
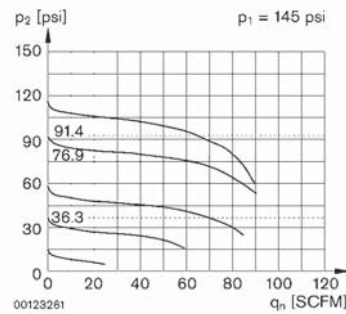


Lubrication activation margin



p_1 = Supply pressure; p_2 = Secondary pressure; q_n = Nominal flow

Flow rate characteristic (setting range p_2 : 0.5 to 8 bar) (7 to 145 psi)



- 1) Semi-automatic condensate drain
- 2) Fully automatic condensate drain

A1	A2	A4	B	C	D	E	F	H	I	J	K	L	O	R	T	V	W
1/4 NPT	1/4 NPT	G 1/8	6.142	2.323	6.437	2.094	2.559	7.106	0.220	3.740	1.945	2.047	2.047	0.213	0.287	1.378	2
3/8 NPT	1/4 NPT	G 1/8	6.142	2.323	6.437	2.094	2.559	7.106	0.220	3.740	1.945	2.047	2.047	0.213	0.287	1.378	2

Dimensions in inches

Compressed air maintenance unit, series AS2-Inch

Pressure regulator AS2-RGS, 1/4 NPT - 3/8 NPT, ATEX approved

AVENTICS®



Technical Data

Type	Diaphragm-type pressure regulator with relief opening and reverse flow capability Regulator knob lockable	
Supply pressure	232 psi (max.)	
Secondary pressure	See table	
Nominal flow qn	See table	
Secondary pressure = 91 psi and Δp = 15 psi		
Temperature range	-10 °C to +50 °C (14 °F to +122 °F) *	
Medium	Compressed air	
Weight	See table	
Installation position	any	
Materials	Body Thread insert	Polyamide, seals Buna-N(NBR) Die-cast zinc
ATEX	In zone 1 (gas-ex, category 2G) In zone 21 (dust-ex, category 2D) In zone 2 (gas-ex, category 3G) In zone 22 (dust-ex, category 3D)	



* with dried air

Part no.

Symbol	Threaded ports	Nominal flow qn [CFM]	Secondary pressure [psi]	Weight [lbs]	Part no. with pressure gauge
	1/4 NPT	78	1 ... 14	0.71	R432000561
	1/4 NPT	78	1 ... 29	0.71	R432000563
	1/4 NPT	78	2 ... 58	0.71	R432000565
	1/4 NPT	78	7 ... 116	0.71	R432000567
	1/4 NPT	78	7 ... 145	0.71	R432000569
	1/4 NPT	78	7 ... 232	0.71	R432000571
	3/8 NPT	95	1 ... 14	0.71	R432000573
	3/8 NPT	95	1 ... 29	0.71	R432000575
	3/8 NPT	95	2 ... 58	0.71	R432000577
	3/8 NPT	95	7 ... 116	0.71	R432000579
	3/8 NPT	95	7 ... 145	0.71	R432000581
	3/8 NPT	95	7 ... 232	0.71	R432000583

Part no.

Symbol	Threaded ports	Nominal flow qn [CFM]	Secondary pressure [psi]	Weight [lbs]	Part no. without pressure gauge
	1/4 NPT	78	1 ... 14	0.55	R432000560
	1/4 NPT	78	1 ... 29	0.55	R432000562
	1/4 NPT	78	2 ... 58	0.55	R432000564
	1/4 NPT	78	7 ... 116	0.55	R432000566
	1/4 NPT	78	7 ... 145	0.55	R432000568
	1/4 NPT	78	7 ... 232	0.55	R432000570
	3/8 NPT	95	1 ... 14	0.55	R432000572
	3/8 NPT	95	1 ... 29	0.55	R432000574
	3/8 NPT	95	2 ... 58	0.55	R432000576
	3/8 NPT	95	7 ... 116	0.55	R432000578
	3/8 NPT	95	7 ... 145	0.55	R432000580
	3/8 NPT	95	7 ... 232	0.55	R432000582

Accessories (to be ordered separately)

	Accessory	Part no.
	Pressure regulator valve seal kit	R961400030
	Mounting plate AS2-MBR-...-W01 (incl. 2 bolts)	R432031071
	Mounting strap AS2-MBR-...-W03	R412006370
	Block assembly kit AS2-MBR-...-W04	R412006371

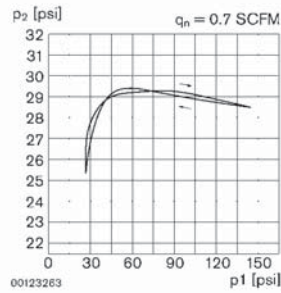
See accessories section for pressure gauges

Compressed air maintenance unit, series AS2-Inch

Pressure regulator AS2-RGS, 1/4 NPT - 3/8 NPT, ATEX approved

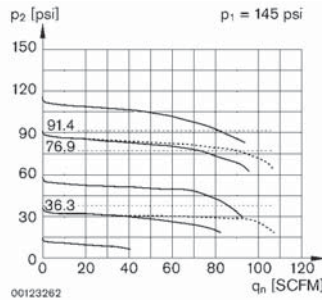


Pressure characteristics curve

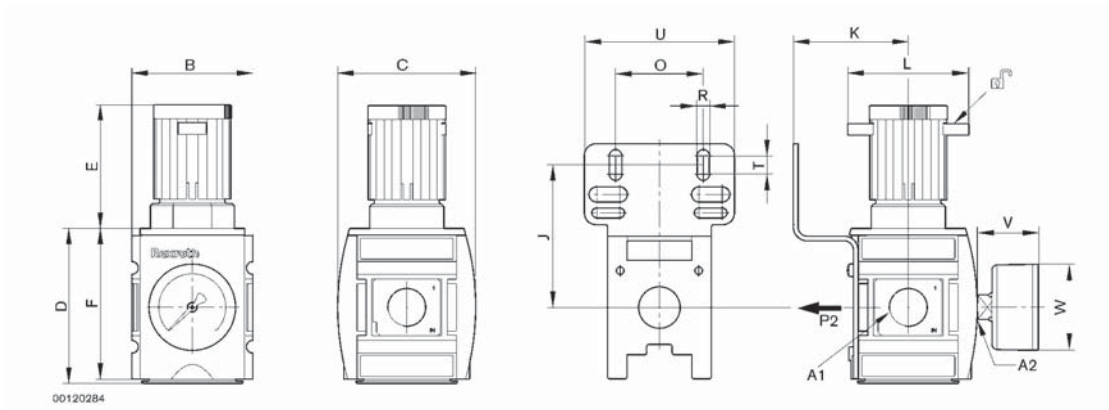


p_1 = Supply pressure; p_2 = Secondary pressure; q_n = Flow rate

Flow rate characteristic (setting range p_2 : 7 to 116 psi)



p_1 = Supply pressure; p_2 = Secondary pressure; q_n = Nominal flow



(mounting bracket not included, order separately)

A1	A2	B	C	D	E	F	J	K	L	O	R	T	U	V	W
1/4 NPT	1/4 NPT	2.047	2.323	2.630	2.275	2.559	2.433	1.945	2.047	1.496	0.213	0.394	2.559	1.378	2
3/8 NPT	1/4 NPT	2.047	2.323	2.630	2.275	2.559	2.433	1.945	2.047	1.496	0.213	0.394	2.559	1.378	2

Dimensions in inches

Compressed air maintenance unit, series AS2-Inch

Pressure regulator AS2-RGS-...-DS, with continuous pressure supply,
1/4 NPT - 3/8 NPT, ATEX approved

AVENTICS®



Technical Data

Type	Diaphragm-type pressure regulator with relief opening and reverse flow capability Lockable regulator knob	
Supply pressure	232 psi (max.)	
Secondary pressure	See table	
Nominal flow qn	See table	
Secondary pressure = 91 psi and Δp = 15 psi		
Temperature range	-10 °C to +50 °C (14 °F to +122 °F) *	
Medium	Compressed air	
Weight	See table	
Installation position	Any	

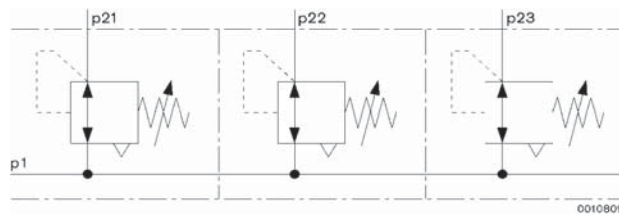
Materials	Body	Polyamide, seals Buna-N(NBR)
	Thread insert	Die-cast zinc
	Cover	ABS

ATEX:	In zone 1 (gas-ex, category 2G)
	In zone 21 (dust-ex, category 2D)
	In zone 2 (gas-ex, category 3G)
	In zone 22 (dust-ex, category 3D)

* with dried air
Possible to assemble multiple regulators providing continuous inlet pressure and individual regulated pressure outlets.
In the case of block assembly, only gauge with Ø ≤ 2 inch can be used



Example of application



Part no.

Symbol	Threaded ports	Nominal flow qn [CFM]	Secondary pressure [psi]	Weight [lbs]	Part no. without pressure gauge
	1/4 NPT	78	1 ... 14	0.55	R432000584
	1/4 NPT	78	1 ... 29	0.55	R432000585
	1/4 NPT	78	2 ... 58	0.55	R432000586
	1/4 NPT	78	7 ... 116	0.55	R432000587
	1/4 NPT	78	7 ... 145	0.55	R432000588
	1/4 NPT	78	7 ... 232	0.55	R432000589
	3/8 NPT	95	1 ... 14	0.55	R432000590
	3/8 NPT	95	1 ... 29	0.55	R432000591
	3/8 NPT	95	2 ... 58	0.55	R432000592
	3/8 NPT	95	7 ... 116	0.55	R432000593
	3/8 NPT	95	7 ... 145	0.55	R432000594
	3/8 NPT	95	7 ... 232	0.55	R432000595

Accessories (to be ordered separately)

Accessory	Part no.
Pressure regulator valve seal kit	R961400030
Mounting plate AS2-MBR-...-W01 (incl. 2 bolts)	R432031071
Mounting strap AS2-MBR-...-W03	R412006370
Block assembly kit AS2-MBR-...-W04	R412006371

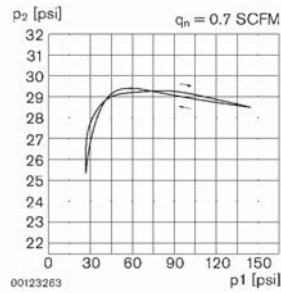
See accessories section for pressure gauges

Compressed air maintenance unit, series AS2-Inch

Pressure regulator AS2-RGS-...-DS, with continuous pressure supply,
1/4 NPT - 3/8 NPT, ATEX approved

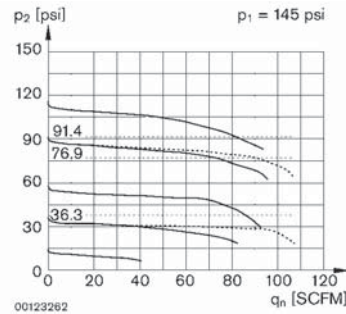


Pressure characteristics curve

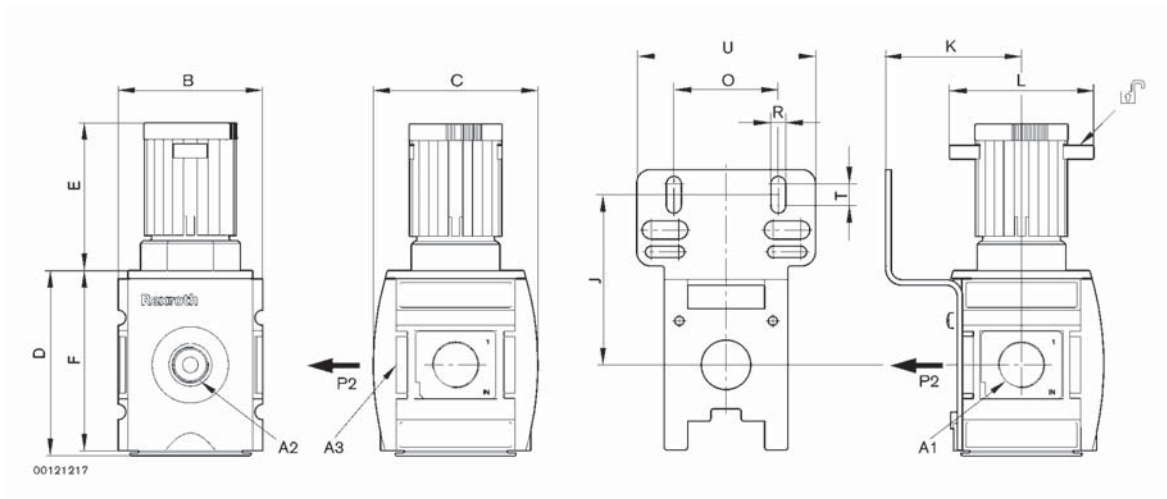


p_1 = Supply pressure; p_2 = Secondary pressure; q_n = Flow rate

Flow rate characteristic (setting range p_2 : 7 to 145 psi)



p_1 = Supply pressure; p_2 = Secondary pressure; q_n = Flow rate



(mounting bracket not included, order separately)

p_2 = Secondary pressure

A1	A2	A3	B	C	D	E	F	J	K	L	O	R	T	U
1/4 NPT	1/4 NPT	1/4 NPT	2.047	2.323	2.630	2.275	2.559	2.433	1.945	2.047	1.496	0.213	0.394	2.559
3/8 NPT	1/4 NPT	1/4 NPT	2.047	2.323	2.630	2.275	2.559	2.433	1.945	2.047	1.496	0.213	0.394	2.559

Dimensions in inches

Compressed air maintenance unit, series AS2-Inch

Precision pressure regulator AS2-RGP, 1/4 NPT - 3/8 NPT,
ATEX approved

AVENTICS®



Technical Data

Type	Diaphragm-type pressure regulator with relief opening and reverse flow capability Lockable regulator knob	
Supply pressure	232 psi (max.)	
Secondary pressure	See table	
Nominal flow qn	See table	
Secondary pressure = 91 psi and Δp = 15 psi		
Temperature range	-10 °C to +50 °C (14 °F to +122 °F) *	
Medium	Compressed air	
Weight	See table	
Installation position	Any	
Materials	Body Thread insert Cover	Polyamide, seals Buna-N(NBR) Die-cast zinc ABS



ATEX:	In zone 1 (gas-ex, category 2G) In zone 21 (dust-ex, category 2D) In zone 2 (gas-ex, category 3G) In zone 22 (dust-ex, category 3D)
-------	--

* with dried air
Continuous air consumption qn = 0.09 CFM, depends on secondary pressure p2 = 87 psi

Part no.

Symbol	Threaded ports	Nominal flow qn [CFM]	Secondary pressure [psi]	Weight [lbs]	Part no. with pressure gauge
	1/4 NPT	78	1 ... 14	0.71	R432000597
	1/4 NPT	78	1 ... 29	0.71	R432000599
	1/4 NPT	78	2 ... 58	0.71	R432000601
	1/4 NPT	78	7 ... 116	0.71	R432000603
	1/4 NPT	78	7 ... 145	0.71	R432000605
	3/8 NPT	95	1 ... 14	0.71	R432000607
	3/8 NPT	95	1 ... 29	0.71	R432000609
	3/8 NPT	95	2 ... 58	0.71	R432000611
	3/8 NPT	95	7 ... 116	0.71	R432000613
	3/8 NPT	95	7 ... 145	0.71	R432000615

Part no.

Symbol	Threaded ports	Nominal flow qn [CFM]	Secondary pressure [psi]	Weight [lbs]	Part no. without pressure gauge
	1/4 NPT	78	1 ... 14	0.55	R432000596
	1/4 NPT	78	1 ... 29	0.55	R432000598
	1/4 NPT	78	2 ... 58	0.55	R432000600
	1/4 NPT	78	7 ... 116	0.55	R432000602
	1/4 NPT	78	7 ... 145	0.55	R432000604
	3/8 NPT	95	1 ... 14	0.55	R432000606
	3/8 NPT	95	1 ... 29	0.55	R432000608
	3/8 NPT	95	2 ... 58	0.55	R432000610
	3/8 NPT	95	7 ... 116	0.55	R432000612
	3/8 NPT	95	7 ... 145	0.55	R432000614

Accessories (to be ordered separately)

	Accessory	Part no.
	Pressure regulator valve seal kit	R961400031
	Mounting plate AS2-MBR-...-W01	R432031071
	Mounting strap AS2-MBR-...-W03	R412006370
	Block assembly kit AS2-MBR-...-W04	R412006371

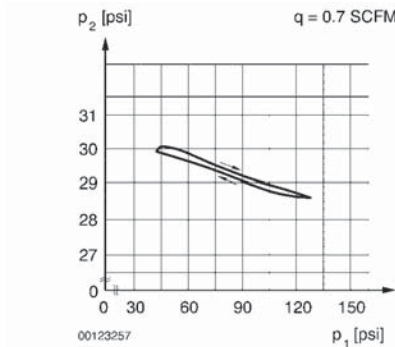
See accessories section for pressure gauges

Compressed air maintenance unit, series AS2-Inch

Precision pressure regulator AS2-RGP, 1/4 NPT - 3/8 NPT, ATEX approved

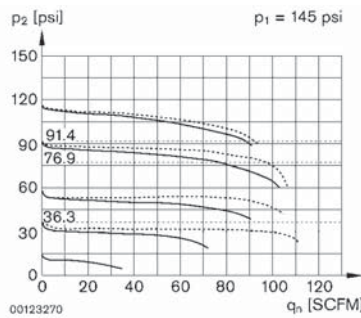


Pressure characteristics curve

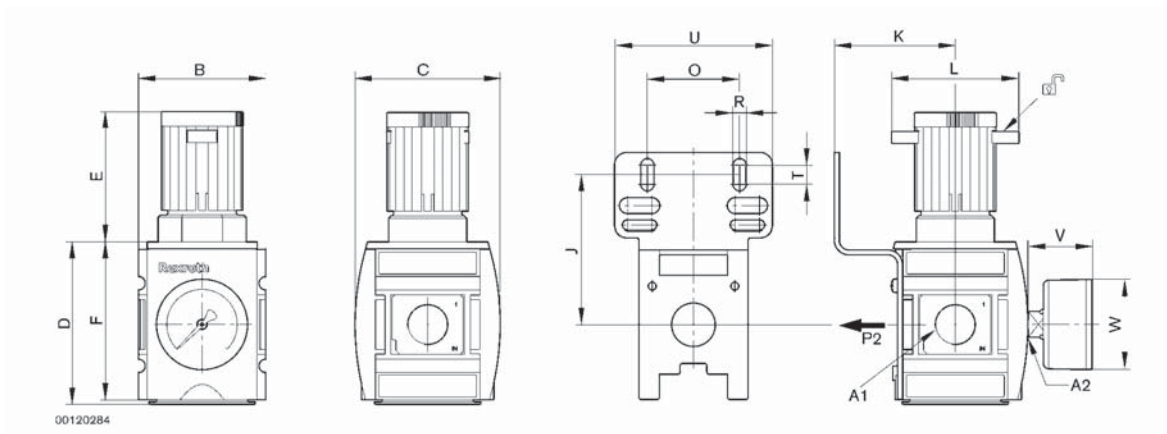


p_1 = Supply pressure; p_2 = Secondary pressure; q_n = Flow rate

Flow rate characteristic (setting range p_2 : 7 to 116 psi)



p_1 = Supply pressure; p_2 = Secondary pressure; q_n = Nominal flow



(mounting bracket not included, order separately)

A1	A2	B	C	D	E	F	J	K	L	O	R	T	U	V	W
1/4 NPT	1/4 NPT	2.047	2.323	2.630	2.094	2.559	2.433	1.945	2.047	1.496	0.213	0.394	2.559	1.378	2
3/8 NPT	1/4 NPT	2.047	2.323	2.630	2.094	2.559	2.433	1.945	2.047	1.496	0.213	0.394	2.559	1.378	2

Dimensions in inches

Compressed air maintenance unit, series AS2-Inch

Precision pressure regulator AS2-RGP-...-DS, with continuous pressure supply, 1/4 NPT - 3/8 NPT, ATEX approved



Technical Data

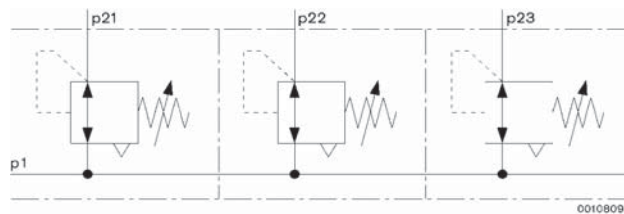
Type	Diaphragm-type pressure regulator with relief opening and reverse flow capability Lockable regulator knob	
Supply pressure	232 psi (max.)	
Secondary pressure	See table	
Nominal flow qn	See table	
Secondary pressure = 91 psi and Δp = 15 psi		
Temperature range	-10 °C to +50 °C (14 °F to +122 °F) *	
Medium	Compressed air	
Weight	See table	
Installation position	Any	
Materials	Body Thread insert Cover	Polyamide, seals Buna-N(NBR) Die-cast zinc ABS



ATEX:	In zone 1 (gas-ex, category 2G) In zone 21 (dust-ex, category 2D) In zone 2 (gas-ex, category 3G) In zone 22 (dust-ex, category 3D)
-------	--

* with dried air
Continuous air consumption = 0.09 CFM, depends on secondary pressure p2 = 87 psi
Possible to assemble multiple regulators providing continuous inlet pressure and individual regulated pressure outlets.
In the case of block assembly, only gauge with Ø ≤ 2 inch can be used

Example of application



Part no.

Symbol	Threaded ports	Nominal flow qn [CFM]	Secondary pressure [psi]	Weight [lbs]	Part no. without pressure gauge
	1/4 NPT	78	1 ... 14	0.55	R432000616
	1/4 NPT	78	1 ... 29	0.55	R432000617
	1/4 NPT	78	2 ... 58	0.55	R432000618
	1/4 NPT	78	7 ... 116	0.55	R432000619
	1/4 NPT	78	7 ... 145	0.55	R432000620
	3/8 NPT	95	1 ... 14	0.55	R432000621
	3/8 NPT	95	1 ... 29	0.55	R432000622
	3/8 NPT	95	2 ... 58	0.55	R432000623
	3/8 NPT	95	7 ... 116	0.55	R432000624
	3/8 NPT	95	7 ... 145	0.55	R432000625

Accessories (to be ordered separately)

	Accessory	Part no.
	Pressure regulator valve seal kit	R961400031
	Mounting plate AS2-MBR-...-W01	R432031071
	Mounting strap AS2-MBR-...-W03	R412006370
	Block assembly kit AS2-MBR-...-W04	R412006371

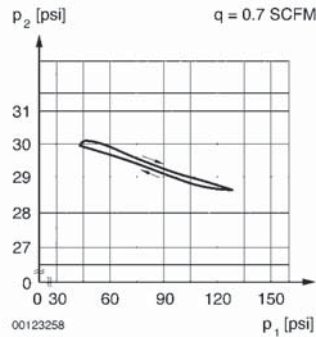
See accessories section for pressure gauges

Compressed air maintenance unit, series AS2-Inch

Precision pressure regulator AS2-RGP-...-DS, with continuous pressure supply, 1/4 NPT - 3/8 NPT, ATEX approved

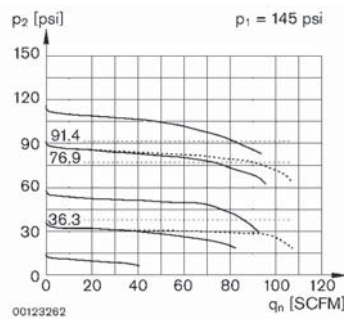


Pressure characteristics curve

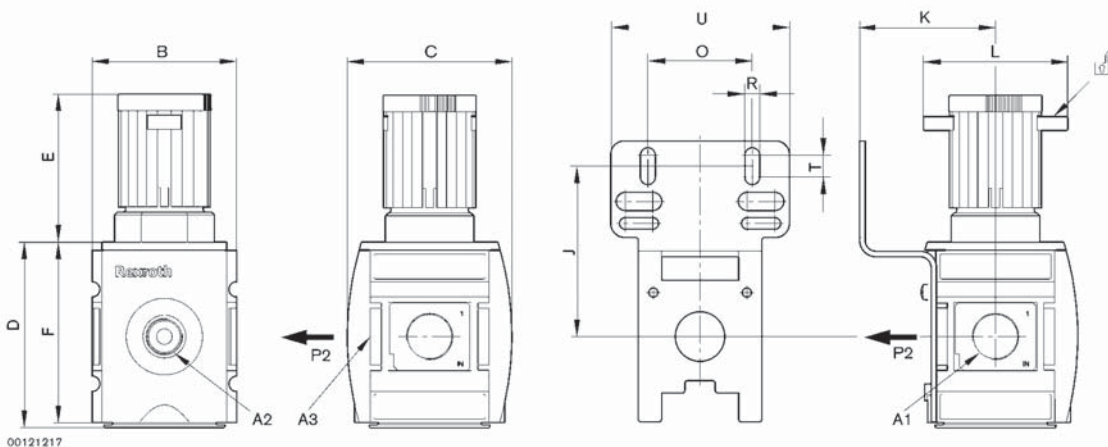


p_1 = Supply pressure; p_2 = Secondary pressure; q_n = Flow rate

Flow rate characteristic (setting range p_2 : 7 to 116 psi)



p_1 = Supply pressure; p_2 = Secondary pressure; q_n = Nominal flow



(mounting bracket not included, order separately)

p_2 = Secondary pressure

A1	A2	A3	B	C	D	E	F	J	K	L	O	R	T	U
1/4" NPT	1/4" NPT	1/4" NPT	2.047	2.323	2.630	2.094	2.559	2.433	1.945	2.047	1.496	0.213	0.394	2.559
3/8" NPT	1/4" NPT	1/4" NPT	2.047	2.323	2.63	2.094	2.559	2.433	1.945	2.047	1.496	0.213	0.394	2.559

Dimensions in inches.

Compressed air maintenance unit, series AS2-Inch

Filter regulator AS2-FRE, 1/4 NPT - 3/8 NPT, ATEX approved



Technical Data

Type	Filter Pressure regulator	Filter insert replaceable Diaphragm-type pressure regulator with relief opening and reverse flow capability Lockable regulator knob
Supply pressure	Condensate drain	semi-automatic: 7 - 232 psi fully automatic : 21 - 232 psi
Secondary pressure		See table
Nominal flow qn		See table
Secondary pressure = 91 psi and Δp = 15 psi		
Ambient temperature		-10 °C to +50 °C (14 °F to +122 °F) *
Medium		Compressed air
Weight		See table
Installation position		Vertical
Materials	Body Thread insert Reservoir Bowl guard Cover Filter element	Polyamide, seals Buna-N(NBR) Die-cast zinc Polycarbonate or die cast zinc, with bayonet catch Polyamide (polycarbonate bowl only) ABS Polyethylene
Reservoir capacity		28 cm ³ (0.95 U.S. Fl. oz.) (with semi-automatic drain)
Filter porosity		5 μm
ATEX:	In zone 1 (gas-ex, category 2G) In zone 21 (dust-ex, category 2D) In zone 2 (gas-ex, category 3G) In zone 22 (dust-ex, category 3D)	



* with dried air

Filter for separating solid impurities up to 5 μm from compressed air and gases

For quality classes according to DIN ISO 8573-1

- Solid impurities: class 3

- Humidity - water content: class 8

Plastic containers may only be cleaned with water, soap suds, and other similar, neutral agents.

Note: All Series AS filter drains include a manual drain function as standard.

Part no.

Symbol	Threaded ports	Nominal flow qn [CFM]	Secondary pressure [psi]	Options	Weight [lbs]	Part no. with pressure gauge (Poly./Metal)
	1/4 NPT	71	116	Polycarbonate w/guard or metal bowl, semi-automatic, w/out pressure: open	0.87	R432000638/R432000641
	1/4 NPT	71	116	Polycarbonate w/guard or metal bowl, fully automatic, w/out pressure: open	0.96	R432000639/R432000642
	1/4 NPT	71	116	Polycarbonate w/guard or metal bowl, fully automatic, w/out pressure: closed	0.96	R432000640/R432000643
	3/8 NPT	92	116	Polycarbonate w/guard or metal bowl, semi-automatic, w/out pressure: open	0.96	R432000644/R432000647
	3/8 NPT	92	116	Polycarbonate w/guard or metal bowl, fully automatic, w/out pressure: open	0.96	R432000645/R432000648
	3/8 NPT	92	116	Polycarbonate w/guard or metal bowl, fully automatic, w/out pressure: closed	0.96	R432000646/R432000649

Part no.

Symbol	Threaded ports	Nominal flow qn [CFM]	Secondary pressure [psi]	Options	Weight [lbs]	Part no. without pressure gauge (Poly./Metal)
	1/4 NPT	71	116	Polycarbonate w/guard or metal bowl, semi-automatic, w/out pressure: open	0.67	R432000626/R432000629
	1/4 NPT	71	116	Polycarbonate w/guard or metal bowl, fully automatic, w/out pressure: open	0.77	R432000627/R432000630
	1/4 NPT	71	116	Polycarbonate w/guard or metal bowl, fully automatic, w/out pressure: closed	0.77	R432000628/R432000631
	3/8 NPT	92	116	Polycarbonate w/guard or metal bowl, semi-automatic, w/out pressure: open	0.77	R432000632/R432000635
	3/8 NPT	92	116	Polycarbonate w/guard or metal bowl, fully automatic, w/out pressure: open	0.77	R432000633/R432000636
	3/8 NPT	92	116	Polycarbonate w/guard or metal bowl, fully automatic, w/out pressure: closed	0.77	R432000634/R432000637


Nominal flow at inlet pressure 91 psi and 15 psi drop ($P_1 = 6.3 \text{ bar}$, $\Delta P = 1 \text{ bar}$)

Compressed air maintenance unit, series AS2-Inch

Filter regulator AS2-FRE, 1/4 NPT - 3/8 NPT, ATEX approved

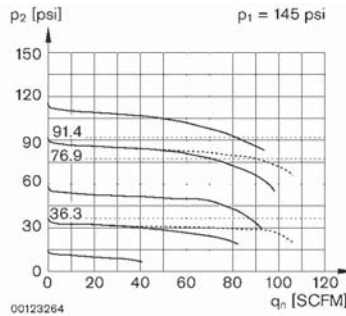


Accessories (to be ordered separately)

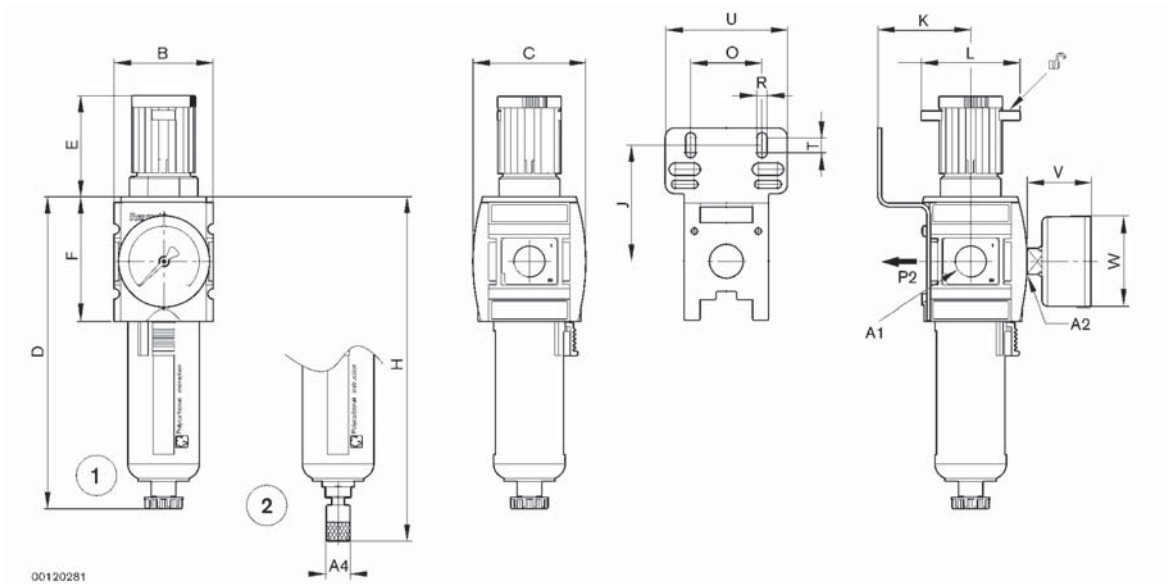
	Accessory	Part no.
	Filter insert, 5 µm	1829207061
	Pressure regulator valve seal kit	R961400030
	Compression spring	R961400036
	Mounting plate AS2-MBR-...-W01	R432031071
	Mounting strap AS2-MBR-...-W03	R412006370
	Block assembly kit AS2-MBR-...-W04	R412006371

See accessories section for filter reservoirs

Pressure characteristics curve



p_1 = Supply pressure; p_2 = Secondary pressure; q_n = Nominal flow



(mounting bracket not included, order separately)

- 1) Semi-automatic condensate drain
- 2) Fully automatic condensate drain

A1	A2	A4	B	C	D	E	F	H	J	K	L	O	R	T	U	V	W
1/4 NPT	1/4 NPT	G 1/8	2.047	2.323	6.437	2.094	2.559	7.106	2.433	1.945	2.047	1.496	0.213	0.394	2.559	1.378	2
3/8 NPT	1/4 NPT	G 1/8	2.047	2.323	6.437	2.094	2.559	7.106	2.433	1.945	2.047	1.496	0.213	0.394	2.559	1.378	2

Dimensions in inches

Compressed air maintenance unit, series AS2-Inch

Standard filter AS2-FLS, 5 micron, 1/4 NPT - 3/8 NPT, ATEX approved



Technical Data

Type	Filter element replaceable	
Supply pressure	See table	
Ambient temperature	-10 °C to +50 °C (14 °F to +122 °F) *	
Medium	Compressed air	
Weight	See table	
Installation position	vertical	
Materials	Body	Polyamide, seals Buna-N(NBR)
	Thread insert	Die-cast zinc
	Reservoir	Polycarbonate or die cast zinc, with bayonet catch
	Bowl guard	Polyamide (polycarbonate bowls only)
	Cover	ABS
	Filter element	Polyethylene
Reservoir capacity	28 cm ³ (0.95 U.S. Fl. oz.)	
Filter porosity	5 µm	
ATEX:	In zone 1 (gas-ex, category 2G) In zone 21 (dust-ex, category 2D) In zone 2 (gas-ex, category 3G) In zone 22 (dust-ex, category 3D)	



* with dried air

Filter for separating solid impurities up to 5 µm from compressed air and gases

For quality classes according to DIN ISO 8573-1

- Solid impurities: class 3

- Humidity - water content: class 8

Optionally with a semi or fully automatic condensate drain

Condensate drain opened without pressure or closed without pressure.

Plastic containers may only be cleaned with water, soap suds, and other similar, neutral agents.

Note: All Series AS filter drains include a manual drain function as standard.

Part no.

Symbol	Threaded ports	Nominal flow qn [CFM]	Supply pressure [psi]	Options	Weight [lbs]	Part no. (Poly./Metal)
	1/4 NPT	78	7 ... 232	Polycarbonate w/guard or metal bowl, semi-automatic, w/out pressure: open	0.47	R432000500/R432000503
	1/4 NPT	78	21 ... 232	Polycarbonate w/guard or metal bowl, fully automatic, w/out pressure: open	0.56	R432000501/R432000504
	1/4 NPT	78	0 ... 232	Polycarbonate w/guard or metal bowl, fully automatic, w/out pressure: closed	0.56	R432000502/R432000505
	3/8 NPT	85	7 ... 232	Polycarbonate w/guard or metal bowl, semi-automatic, w/out pressure: open	0.47	R432000506/R432000509
	3/8 NPT	85	21 ... 232	Polycarbonate w/guard or metal bowl, fully automatic, w/out pressure: open	0.56	R432000507/R432000510
	3/8 NPT	85	0 ... 232	Polycarbonate w/guard or metal bowl, fully automatic, w/out pressure: closed	0.56	R432000508/R432000511

Nominal flow at inlet pressure 91 psi and 15 psi drop ($P_1 = 6.3 \text{ bar}$, $\Delta P = 1 \text{ bar}$)

Accessories (to be ordered separately)

	Accessory	Part no.
	Filter element, 5 µm	1829207061
	Mounting plate AS2-MBR-...-W01	R432031071
	Mounting strap AS2-MBR-...-W03	R412006370
	Block assembly kit AS2-MBR-...-W04	R412006371

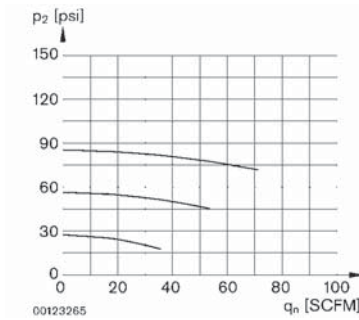
See accessories for filter reservoirs

Compressed air maintenance unit, series AS2-Inch

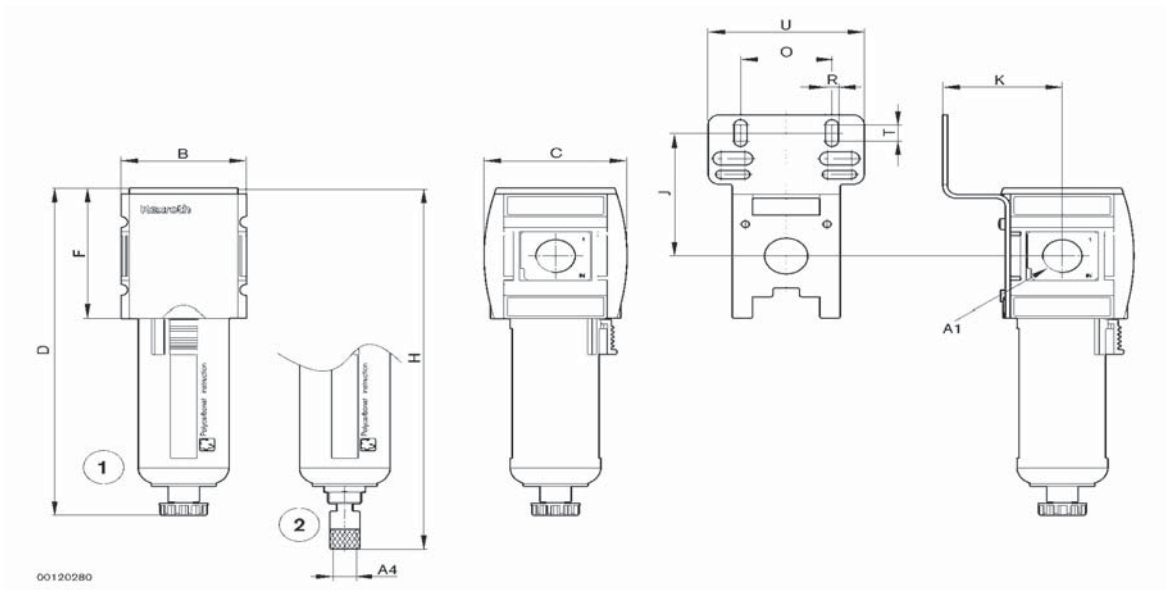
Standard filter AS2-FLS, 5 micron, 1/4 NPT - 3/8 NPT, ATEX approved



Flow rate characteristic



p_1 = Supply pressure; p_2 = Secondary pressure; q_n = Nominal flow



(mounting bracket not included, order separately)

- 1) Semi-automatic condensate drain
- 2) Fully automatic condensate drain

A1	A4	B	C	D	F	H	J	K	O	R	T	U
1/4 NPT	G 1/8	2.047	2.323	6.437	2.559	7.106	2.433	1.945	1.496	0.213	0.394	2.559
3/8 NPT	G 1/8	2.047	2.323	6.437	2.559	7.106	2.433	1.945	1.496	0.213	0.394	2.559

Dimensions in inches

Compressed air maintenance unit, series AS2-Inch

Pre-filter AS2-FLP, 0.3 micron, 1/4 NPT - 3/8 NPT, ATEX approved



Technical Data

Type	Pre-filter element replaceable	
Supply pressure	See table	
Temperature range	-10 °C to +50 °C (14 °F to +122 °F) *	
Medium	Compressed air	
Weight	See table	
Installation position	vertical	
Materials	Body	Polyamide, seals Buna-N(NBR)
	Thread insert	Die-cast zinc
	Reservoir	Polycarbonate or die cast zinc, with bayonet catch
	Bowl guard	Polyamide (polycarbonate bowls only)
	Cover	ABS
	Filter element	Polymer impregnated paper
Reservoir capacity	12 cm ³ (0.4 U.S. Fl. oz.) (with semi-automatic)	
Filter porosity	0.3 μm	
ATEX:	In zone 1 (gas-ex, category 2G) In zone 21 (dust-ex, category 2D) In zone 2 (gas-ex, category 3G) In zone 22 (dust-ex, category 3D)	



* with dried air

Pre-filter for separating solid impurities up to 0.3 μm from compressed air and gases
The filter element should be exchanged if there is an increase of Δp by max. 5 psi or once a year.

Dust separation = 99.99 %

For quality classes according to DIN ISO 8573-1

- Solid impurities: class 2

- Humidity - water content: class 8

Plastic containers may only be cleaned with water, soap suds, and other similar, neutral agents.

Note: All Series AS filter drains include a manual drain function as standard.

Part no.

Symbol	Threaded ports	Nominal flow qn [CFM]	Supply pressure [psi]	Options	Weight [lbs]	Part no. (Poly./Metal)
	1/4 NPT	14	7 ... 232	Polycarbonate w/guard or metal bowl, semi-automatic, w/out pressure: open	0.49	R432000512/R432000515
	1/4 NPT	14	21 ... 232	Polycarbonate w/guard or metal bowl, fully automatic, w/out pressure: open	0.58	R432000513/R432000516
	1/4 NPT	14	0 ... 232	Polycarbonate w/guard or metal bowl, fully automatic, w/out pressure: closed	0.58	R432000514/R432000517
	3/8 NPT	14	7 ... 232	Polycarbonate w/guard or metal bowl, semi-automatic, w/out pressure: open	0.58	R432000518/R432000521
	3/8 NPT	14	21 ... 232	Polycarbonate w/guard or metal bowl, fully automatic, w/out pressure: open	0.58	R432000519/R432000522
	3/8 NPT	14	0 ... 232	Polycarbonate w/guard or metal bowl, fully automatic, w/out pressure: closed	0.58	R432000520/R432000523

Nominal flow at inlet pressure 91 psi and 1.5 psi drop (P₁ = 6.3 bar, ΔP = 0.1 bar)

Q = qn x f (f = Correction factor for various supply pressures p₁)

p ₁ [psi]	14	29	43	58	72	87	101	116	130	145	159	174	188	203	217	232
f	0.25	0.38	0.5	0.65	0.75	0.88	1	1.13	1.25	1.38	1.5	1.63	1.75	1.88	2	2.13

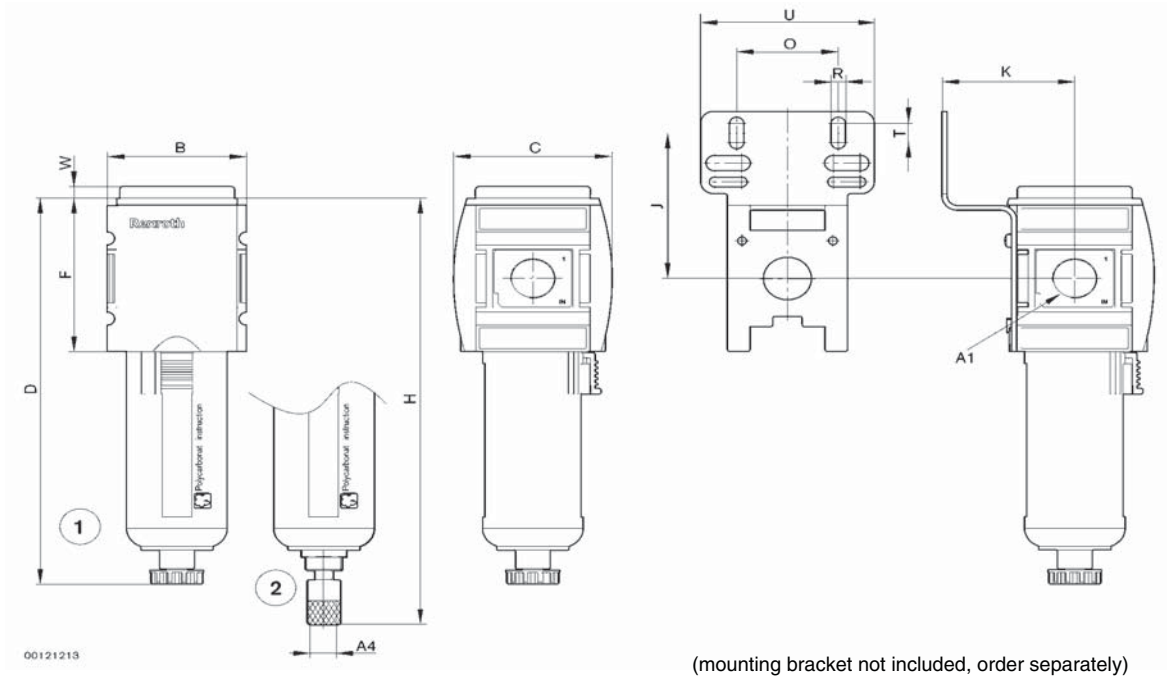
Accessories (to be ordered separately)

Accessory	Part no.
Filter element for automatic operation	1829207047
Filter element for semi-automatic operation	R961400025
Mounting plate AS2-MBR-...-W01	R432031071
Mounting strap AS2-MBR-...-W03	R412006370
Block assembly kit AS2-MBR-...-W04	R412006371

See accessories for pre-filter reservoirs

Compressed air maintenance unit, series AS2-Inch

Pre-filter AS2-FLP, 0.3 micron, 1/4 NPT - 3/8 NPT, ATEX approved



- 1) Semi-automatic condensate drain
- 2) Fully automatic condensate drain

A1	A4	B	C	D	F	H	J	K	O	R	T	U	W
1/4 NPT	G 1/8	2.047	2.323	6.437	2.559	7.106	2.433	1.945	1.496	0.213	0.394	2.559	0.197
3/8 NPT	G 1/8	2.047	2.323	6.437	2.559	7.106	2.433	1.945	1.496	0.213	0.394	2.559	0.197

Dimensions in inches

Compressed air maintenance unit, series AS2-Inch

Coalescing filter AS2-FLC, 0.01 micron, 1/4 NPT - 3/8 NPT, ATEX approved



Technical Data

Type	Micro-filter element replaceable	
Supply pressure	See table	
Temperature range	-10 °C to +50 °C (14 °F to +122 °F) *	
Medium	Compressed air	
Weight	See table	
Installation position	vertical	
Materials	Body Thread insert Reservoir Bowl guard Cover Filter element	Polyamide, seals Buna-N(NBR) Die-cast zinc Polycarbonate or die cast zinc, with bayonet catch Polyamide (polycarbonate bowls only) ABS Borsilicate glass fibre
Reservoir capacity	12 cm ³ (0.4 U.S. Fl. Oz.)	
Filter porosity	0.01 µm	
ATEX:	In zone 1 (gas-ex, category 2G) In zone 21 (dust-ex, category 2D) In zone 2 (gas-ex, category 3G) In zone 22 (dust-ex, category 3D)	
Standard	NFE 49004	



* with dried air
Working pressure 15 – 145 psi
Micro filter for the separation of oil, water and solid impurities of up to 0.01 µm from compressed air and gases
For quality classes according to DIN ISO 8573-1
- Solid impurities: class 1
- Oil content: class 1
The filter element must be replaced after a pressure rise Δp of max. 5 psi or once a year.
Filter is resistant to mineral oils and synthetic oils
Oil separation, residual oil content < 0.01 mg/m³ at t = 68 °F (+20 °C) and p1 = 101 psi
Plastic containers may only be cleaned with water, soap suds, and other similar, neutral agents.
Note: All Series AS filter drains include a manual drain function as standard.

Part no.

Symbol	Threaded ports	Nominal flow qn [CFM]	Supply pressure [psi]	Options	Weight [lbs]	Part no. (Poly./Metal) (*w/contam.display)
	1/4 NPT	11	7 ... 232	Polycarbonate w/guard or metal bowl, with or w/o contamination display, semi-automatic, w/o pressure: open	0.49	R432000524/R432000527 R432000536*/R432000539*
	1/4 NPT	11	21 ... 232	Polycarbonate w/guard or metal bowl, with or w/o contamination display, fully automatic, w/o pressure: open	0.58	R432000525/R432000528 R432000537*/R432000540*
	1/4 NPT	11	0 ... 232	Polycarbonate w/guard or metal bowl, with or w/o contamination display, fully automatic, w/o pressure: closed	0.58	R432000526/R432000529 R432000538*/R432000541*
	3/8 NPT	11	7 ... 232	Polycarbonate w/guard or metal bowl, with or w/o contamination display, semi-automatic, w/o pressure: open	0.49	R432000530/R432000533 R432000542*/R432000545*
	3/8 NPT	11	21 ... 232	Polycarbonate w/guard or metal bowl, with or w/o contamination display, fully automatic, w/o pressure: open	0.58	R432000531/R432000534 R432000543*/R432000546*
	3/8 NPT	11	0 ... 232	Polycarbonate w/guard or metal bowl, with or w/o contamination display, fully automatic, w/o pressure: closed	0.58	R432000532/R432000535 R432000544*/R432000547*

Nominal flow at inlet pressure 91 psi and 1.5 psi drop (P₁ = 6.3 bar, ΔP = 0.1 bar)

Q = qn x f (f = Correction factor for various supply pressures p1)																
p1 [psi]	14	29	43	58	72	87	101	116	130	145	159	174	188	203	217	232
f	0.25	0.38	0.5	0.65	0.75	0.88	1	1.13	1.25	1.38	1.5	1.63	1.75	1.88	2	2.13

Flush mounted cylinder switches

Compressed air maintenance unit, series AS2-Inch

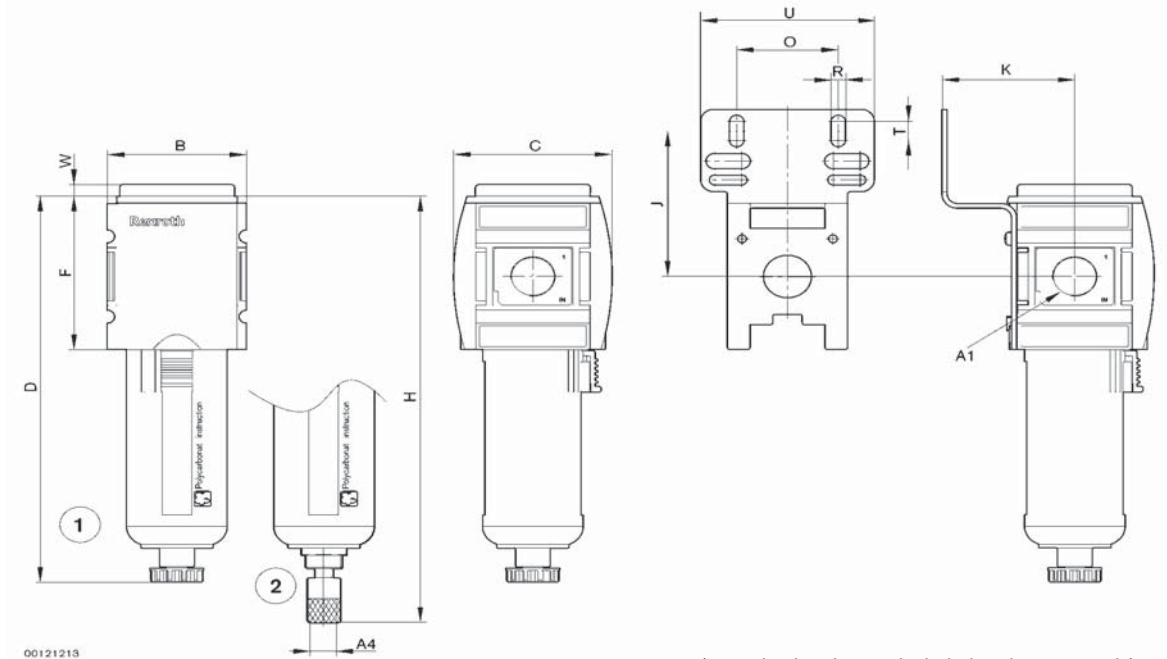
Coalescing filter AS2-FLC, 0.01 micron, 1/4 NPT - 3/8 NPT, ATEX approved



▲ Accessories (to be ordered separately)

	Accessory	Part no.
	Filter element for fully automatic operation	R961400026
	Filter element for semi-automatic operation	R961400027
	Mounting plate AS2-MBR-...-W01	R432031071
	Mounting strap AS2-MBR-...-W03	R412006370
	Block assembly kit AS2-MBR-...-W04	R412006371

See accessories for microfilter reservoir



- 1) Semi-automatic condensate drain
- 2) Fully automatic condensate drain

A1	A4	B	C	D	F	H	J	K	O	R	T	U	W
1/4 NPT	G 1/8	2.047	2.323	6.437	2.559	7.106	2.433	1.945	1.496	0.213	0.394	2.559	0.197
3/8 NPT	G 1/8	2.047	2.323	6.437	2.559	7.106	2.433	1.945	1.496	0.213	0.394	2.559	0.197

Dimensions in inches

Compressed air maintenance unit, series AS2-Inch

Active carbon filter AS2-FLA, 1/4 NPT - 3/8 NPT, ATEX approved



Technical Data

Type	Filter element replaceable												
Supply pressure	See table												
Temperature range	-10 °C to +50 °C (14 °F to +122 °F) *												
Medium	Compressed air												
Weight	See table												
Installation position	vertical												
Materials	<table border="0"> <tr> <td>Body</td> <td>Polyamide, seals Buna-N(NBR)</td> </tr> <tr> <td>Thread insert</td> <td>Die-cast zinc</td> </tr> <tr> <td>Reservoir</td> <td>Polycarbonate or die cast zinc, with bayonet catch</td> </tr> <tr> <td>Bowl guard</td> <td>Polyamide (polycarbonate bowls only)</td> </tr> <tr> <td>Filter element</td> <td>Active carbon</td> </tr> <tr> <td>Cover</td> <td>ABS</td> </tr> </table>	Body	Polyamide, seals Buna-N(NBR)	Thread insert	Die-cast zinc	Reservoir	Polycarbonate or die cast zinc, with bayonet catch	Bowl guard	Polyamide (polycarbonate bowls only)	Filter element	Active carbon	Cover	ABS
Body	Polyamide, seals Buna-N(NBR)												
Thread insert	Die-cast zinc												
Reservoir	Polycarbonate or die cast zinc, with bayonet catch												
Bowl guard	Polyamide (polycarbonate bowls only)												
Filter element	Active carbon												
Cover	ABS												
Reservoir capacity	12 cm ³ (0.4 U.S. Fl. Oz.)												
ATEX:	<table border="0"> <tr> <td>In zone 1 (gas-ex, category 2G)</td> </tr> <tr> <td>In zone 21 (dust-ex, category 2D)</td> </tr> <tr> <td>In zone 2 (gas-ex, category 3G)</td> </tr> <tr> <td>In zone 22 (dust-ex, category 3D)</td> </tr> </table>	In zone 1 (gas-ex, category 2G)	In zone 21 (dust-ex, category 2D)	In zone 2 (gas-ex, category 3G)	In zone 22 (dust-ex, category 3D)								
In zone 1 (gas-ex, category 2G)													
In zone 21 (dust-ex, category 2D)													
In zone 2 (gas-ex, category 3G)													
In zone 22 (dust-ex, category 3D)													



* with dried air

Active carbon filter for absorption of oil vapor in compressed air and gases
For quality classes according to DIN ISO 8573-1

- Solid impurities: class 3
- Humidity - water content: class 8
- Oil content: class 1

Oil separation, residual oil content < 0.005 mg/m³ at t = 68 °F (+20 °C) and p₁ = 101 psi

A micro filter must be connected upstream as a prefilter

Part no.

Symbol	Threaded ports	Nominal flow q _n [CFM]	Supply pressure [psi]	Weight [lbs]	Part no. (Poly./Metal)
	1/4 NPT	23	0 ... 232	0.49	R432000546/R432000549
	3/8 NPT	24	0 ... 232	0.49	R432000550/R432000551

Q = q_n x f (f = Correction factor for various supply pressures p₁)

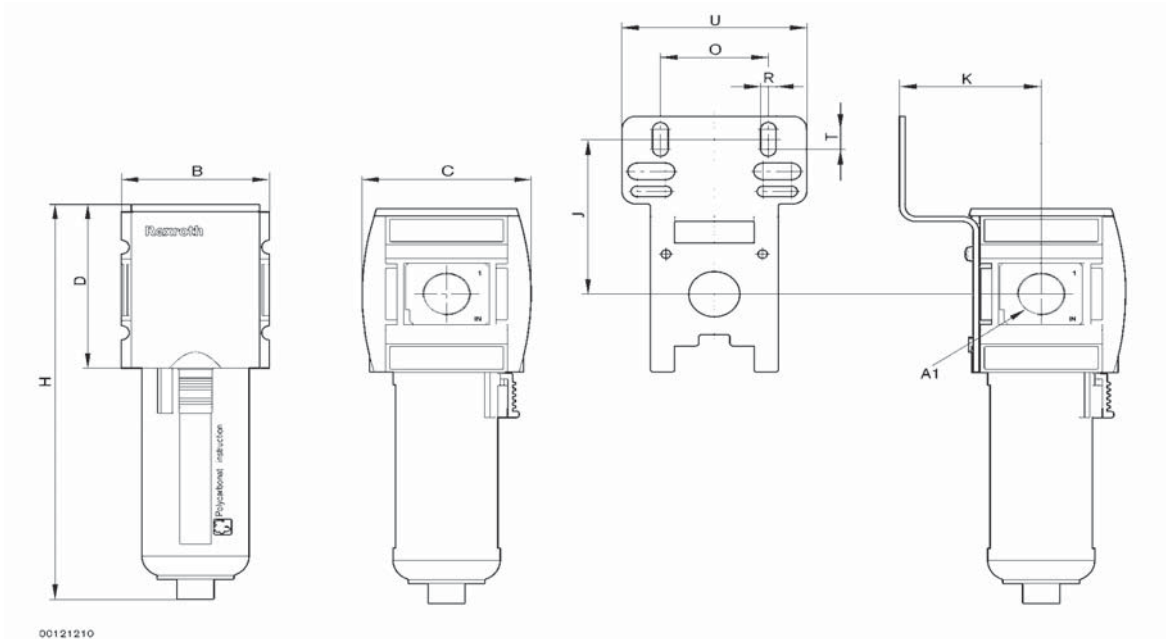
p ₁ [psi]	14	29	43	58	72	87	101	116	130	145	159	174	188	203	217	232
f	0.25	0.38	0.5	0.65	0.75	0.88	1	1.13	1.25	1.38	1.5	1.65	1.75	1.88	2	2.13

Nominal flow at inlet pressure 91 psi and 1.5 psi drop (P₁ = 6.3 bar, ΔP = 0.1 bar)

Accessories (to be ordered separately)	Accessory	Part no.
	Active carbon filter reservoir AS2-CLA, metal (no glass)	R412006349
	Active carbon filter reservoir AS2-CLA, polycarbonate	R412006347
	Active carbon filter element	1829207044
	Mounting plate AS2-MBR-...-W01	R432031071
	Mounting strap AS2-MBR-...-W03	R412006370
	Block assembly kit AS2-MBR-...-W04	R412006371

Compressed air maintenance unit, series AS2-Inch

Active carbon filter AS2-FLA, 1/4 NPT - 3/8 NPT, ATEX approved



(mounting bracket not included, order separately)

A1	B	C	D	H	J	K	O	R	T	U
1/4 NPT	2.047	2.323	2.559	6.181	2.433	1.949	1.496	0.213	0.394	2.559
3/8 NPT	2.047	2.323	2.559	6.181	2.433	1.949	1.496	0.213	0.394	2.559

Dimensions in inches

Compressed air maintenance unit, series AS2-Inch

Lubricator, oil-drop AS2-LBS, with semi-automatic oil filling, 1/4 NPT - 3/8 NPT, ATEX approved



Technical Data

Type	Inspection glass with slotted screw for oil metering Can be filled with oil during operation	
Supply pressure	See table	
Temperature range	-10 °C to +50 °C (14 °F to +122 °F) *	
Medium	Compressed air	
Weight	See table	
Installation position	vertical	
Materials	Body Thread insert Reservoir Bowl guard Seal	Polyamide, seals Buna-N(NBR) Die-cast zinc Polycarbonate or die cast zinc, with bayonet catch Polyamide (polycarbonate bowls only) ABS
Reservoir capacity	40 cm ³ (1.69 U.S. Fl. Oz.)	
ATEX:	In zone 1 (gas-ex, category 2G) In zone 21 (dust-ex, category 2D) In zone 2 (gas-ex, category 3G) In zone 22 (dust-ex, category 3D)	



* with dried air

Oil type: HL 68 (DIN 51 524 - ISO VG 68)

Standard values for oil metering: 1-2 drops / min at a nominal flow rate of $q_n = 35$ CFM

Plastic containers may only be cleaned with water, soap suds, and other similar, neutral agents.

The unit is equipped with a semi-automatic oil filling mechanism (standard). A threaded connector located in the lower section of the container can be used to connect a hose to the oil tank.

Pressing the top button opens a Venturi nozzle that provides a vacuum in the upper section of the container. This draws the oil into the container.

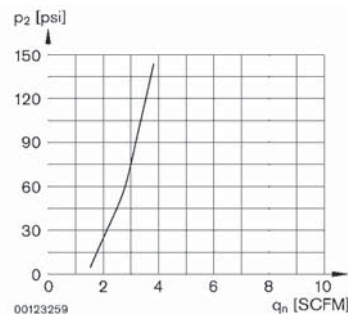
Part no.

Symbol	Threaded ports	Nominal flow q_n [CFM]	Supply pressure [psi]	Options	Weight [lbs]	Part no. (Poly./Metal)
	1/4 NPT	99	7 ... 232	Polycarbonate w/guard or metal bowl, Ready for level sensor** (non ATEX)	0.5	R432000650/R432000652 R432000651/R432000653
	3/8 NPT	109	7 ... 232	Polycarbonate w/guard or metal bowl, Ready for level sensor** (non ATEX)	0.5	R432000654/R432000656 R432000655/R432000657

Accessories (to be ordered separately)

Accessory	Part no.	
	Lubricator reservoir AS2-CBS, metal (w/sight glass)	R412006358
	Lubricator reservoir AS2-CBS, polycarbonate	R412006352
	Lubricator metering set, polycarbonate	R961400032
	Mounting plate AS2-MBR-...-W01	R432031071
Mounting strap AS2-MBR-...-W03	R412006370	
Block assembly kit AS2-MBR-...-W04	R412006371	
**For low oil level sensor options, see Accessories Section		

Lubrication activation margin



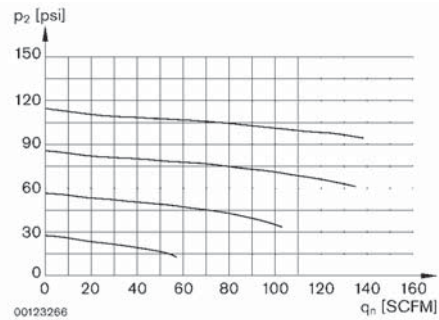
p_2 = Secondary pressure; q_n = nominal flow Ready for

Compressed air maintenance unit, series AS2-Inch

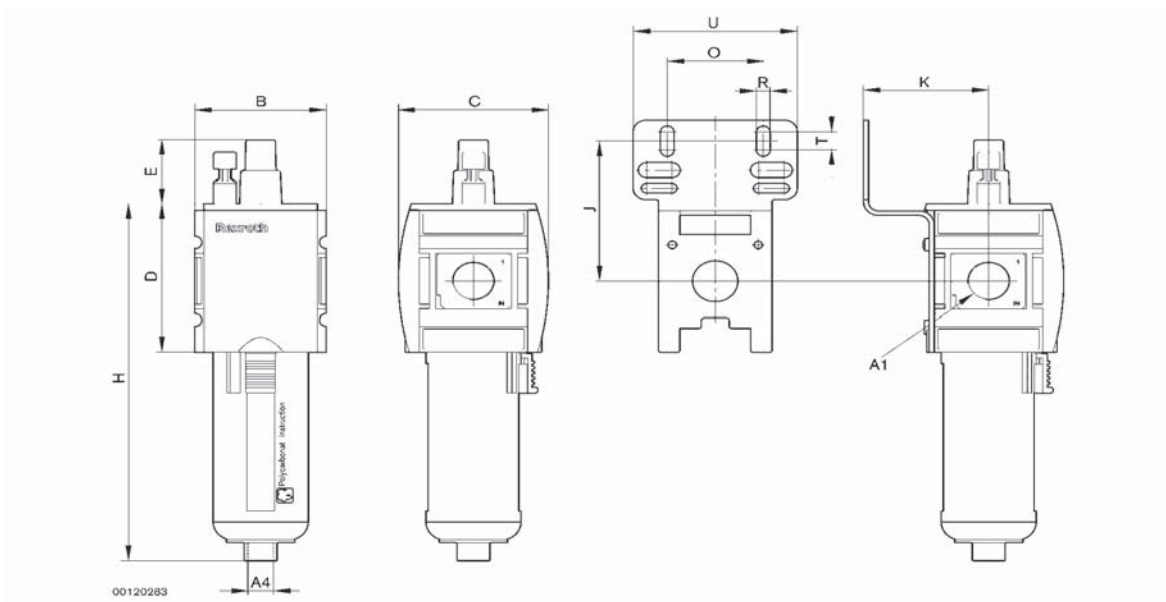
Lubricator, oil-drop AS2-LBS, with semi-automatic oil filling, 1/4 NPT - 3/8 NPT, ATEX approved



Flow rate characteristic



p_1 = Supply pressure; p_2 = Secondary pressure; q_n = Nominal flow



(mounting bracket not included, order separately)

A1	A4	B	C	D	E	H	J	K	O	R	T	U
1/4 NPT	G 1/8	2.047	2.323	2.559	1.110	6.181	2.433	1.945	1.496	0.213	0.394	2.559
3/8 NPT	G 1/8	2.047	2.323	2.559	1.110	6.181	2.433	1.945	1.496	0.213	0.394	2.559

Dimensions in inches

Compressed air maintenance unit, series AS2-Inch

3/2 directional-control valve AS2-SOV, electrically operated,
1/4 NPT - 3/8 NPT



Technical Data

Type	Poppet valve
Working pressure	36 ... 145 psi
Nominal flow qn	see table
Secondary pressure	91 psi and $\Delta p = 15$ psi
Ambient temperature	-10 °C to +50 °C (14 °F to +122 °F) *
Medium	Compressed air
Weight	see table
Pickup power with AC 50 Hz	2.2 VA
Holding power with AC 50 Hz	1.6 VA
Power consumption with DC	2 W
Relative switch-on duration	100 %
Protection class (DIN 40 050) with electrical connector	IP 65 (NEMA4)
Installation position:	any
Materials (body)	Polyamide, seals Buna-N(NBR)
Thread bushing	Die-cast zinc
Cover	ABS



* with dried air

Version:

Cut-off and sequencing valve with unrestricted cross-section.
Two switch positions: a) Basic position: input closed, output ventilated; b) Operated: input and output connected, exhaust closed.
Connection via electrical connector shape C, DIN 43 650.
Please observe note regarding compressed air preparation!

	Thread connection NPT	Operational voltage	Qn CFM	Operating pressure [psi]	Weight [lbs]	Notes	Part No.
	1/4"	-	-	-	-	1	R432000668
	1/4"	-	-	-	-	2	R432000871
	1/4"	24VDC $\pm 10\%$	64	36 ... 145	0.48	3	R432000669
	1/4"	110VAC 50/60Hz	-	-	-	3	R432000670
	1/4"	240VAC 50/60Hz	-	-	-	3	R432000671
	3/8"	-	-	-	-	1	R432000672
	3/8"	-	-	-	-	2	R432000872
	3/8"	24VDC $\pm 10\%$	71	36 ... 145	0.48	3	R432000673
	3/8"	110VAC 50/60Hz	-	-	-	3	R432000674
	3/8"	240VAC 50/60Hz	-	-	-	3	R432000675

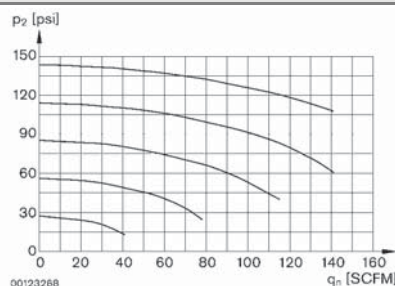
1) without DO16 pilot valve 2) with CNOMO interface, without pilot valve 3) with DO16 pilot valve

Accessories (to be ordered separately)

	Accessory	Part no.
	Silencer: sintered bronze (short)	R432031044
	Connector, shape C, DIN 43 650 (for all except CNOMO)	1834484187
	Connector, shape C, with LED and protective circuit** (for all except CNOMO)	1834484XXX
	Mounting strap AS2-MBR-...-W03	R412006370
	Mounting plate AS2-MBR-...-W01	R432031071
	Block assembly kit AS2-MBR-...-W04	R412006371

**See online catalog, series CN1

Flow rate characteristic



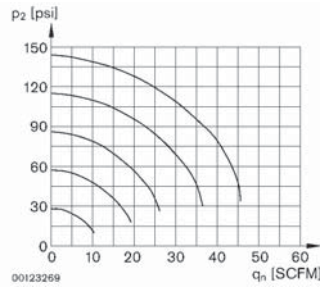
p2 = secondary pressure
qn = nominal flow

Compressed air maintenance unit, series AS2-Inch

3/2 directional-control valve AS2-SOV, electrically operated,
1/4 NPT - 3/8 NPT

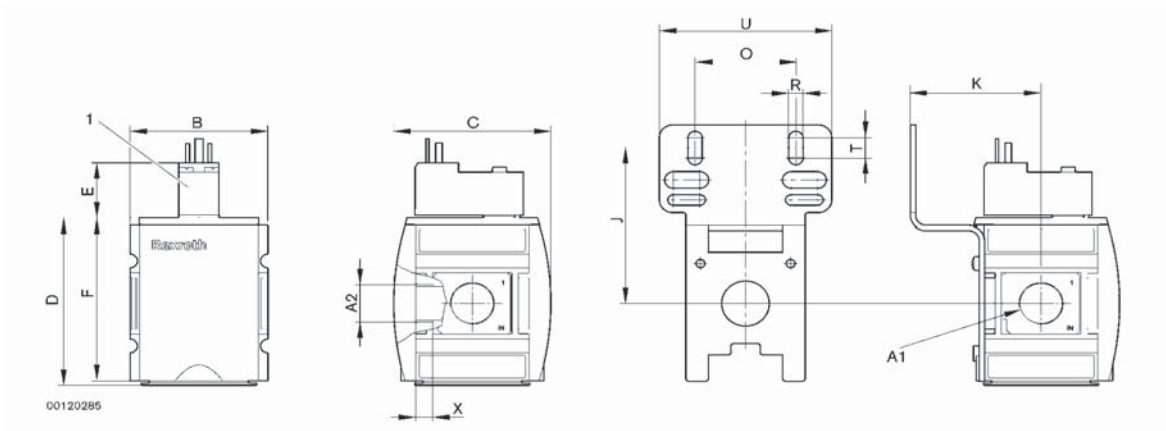


Rear exhaust



p2 = secondary pressure
qn = nominal flow

Drawing



(mounting bracket not included, order separately)

A1	A2 *	B	C	D	E	F	J	K	O	R	T	U	X
1/4 NPT	G 1/4	2.047	2.323	2.630	0.862	2.559	2.433	1.945	1.496	0.213	0.394	2.559	0.394
3/8 NPT	G 1/4	2.047	2.323	2.630	0.862	2.559	2.433	1.945	1.496	0.213	0.394	2.559	0.394

* Exhaust

Dimensions in inches

Compressed air maintenance unit, series AS2-Inch

3/2 directional-control valve AS2-SOV, pneumatically operated,
1/4 NPT - 3/8 NPT, ATEX approved



Technical Data

Type	Poppet valve
Working pressure	36 ... 145 psi
Nominal flow qn	see table
Secondary pressure	91 psi and $\Delta p = 15$ psi
Ambient temperature	-10 °C to +50 °C (14 °F to +122 °F) *
Medium	Compressed air
Weight	see table
Installation position	any

Materials (body)	Polyamide, seals Buna-N(NBR)
Thread bushing	Die-cast zinc
Cover	ABS

ATEX:	In zone 1 (gas-ex, category 2G) In zone 21 (dust-ex, category 2D) In zone 2 (gas-ex, category 3G) In zone 22 (dust-ex, category 3D)
-------	--

* with dried air

Version:

Cut-off and sequencing valve with unrestricted cross-section.

Two switch positions: a) Basic position: input closed, output ventilated; b) Operated: input and output connected, exhaust closed.

Please observe note regarding compressed air preparation!



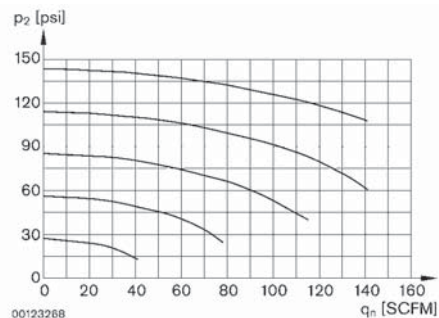
Part no.

Symbol	Threaded ports	Nominal flow qn [CFM]	With options	Weight [lbs]	Part no.
	1/4 NPT	64	Change-over valve / shut-off valve pneumatically operated	0.48	R432000666
	3/8 NPT	71	Change-over valve / shut-off valve pneumatically operated	0.48	R432000667

Accessories (to be ordered separately)

	Accessory	Part no.
	Silencer: sintered bronze (short)	R432031044
	Mounting strap AS2-MBR-...-W03	R412006370
	Mounting plate AS2-MBR-...-W01	R432031071
	Block assembly kit AS2-MBR-...-W04	R412006371

Flow rate characteristic



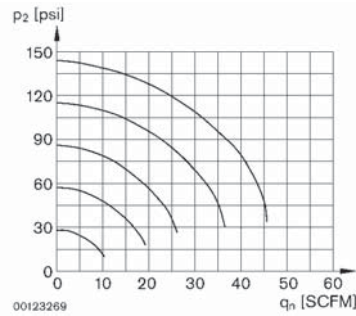
p2 = secondary pressure
qn = nominal flow

Compressed air maintenance unit, series AS2-Inch

3/2 directional-control valve AS2-SOV, pneumatically operated,
1/4 NPT - 3/8 NPT, ATEX approved

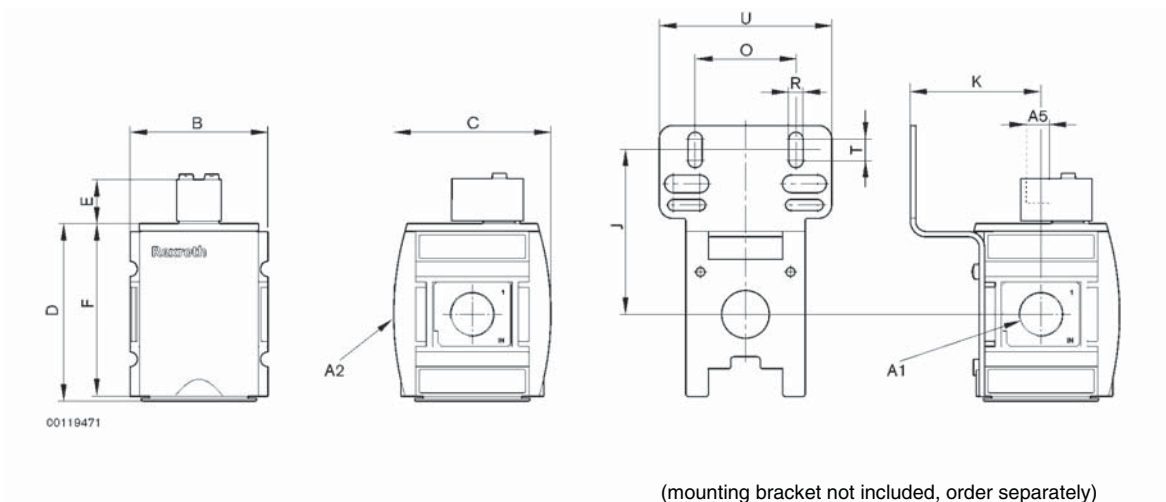


Rear exhaust



p2 = secondary pressure
qn = nominal flow

Drawing



A1	A2 *	A5	B	C	D	E	F	J	K	O	R	T	U	X
1/4 NPT	1/4 NPT	G 1/8	2.047	2.323	2.630	0.669	2.559	2.433	1.945	1.496	0.213	0.394	2.559	0.394
3/8 NPT	1/4 NPT	G 1/8	2.047	2.323	2.630	0.669	2.559	2.433	1.945	1.496	0.213	0.394	2.559	0.394

* Exhaust
Dimensions in inches

Compressed air maintenance unit, series AS2-Inch

3/2-way shut-off valve (ball valve) AS2-BAV, mechanically operated, lockable option, 1/4 NPT - 3/8 NPT, ATEX approved



Technical Data

Type	3/2 directional-control valve, operated by a knob, 3-fold lockable See table	
Nominal flow qn	See table	
Secondary pressure = 91 psi and Δp = 15 psi		
Ambient temperature	-10 °C to +50 °C (14 °F to +122 °F) *	
Medium	Compressed air	
Weight	See table	
Installation position	any	

Materials	Body	Polyamide, seals Buna-N(NBR)
	Thread bushing	Die-cast zinc
	Cover	ABS
	Lockable slide plate	Zinc plated steel

ATEX:	In zone 1 (gas-ex, category 2G)
	In zone 21 (dust-ex, category 2D)
	In zone 2 (gas-ex, category 3G)
	In zone 22 (dust-ex, category 3D)



* with dried air

Knob, can be turned 90° (Open-Closed) and can be locked in the closed position with a padlock
Knob with switch position display: crosswise: inlet closed, outlet to exhaust; lengthways: inlet and outlet connected, air exhaust closed

Exhaust air can be collected (1/4" NPT)

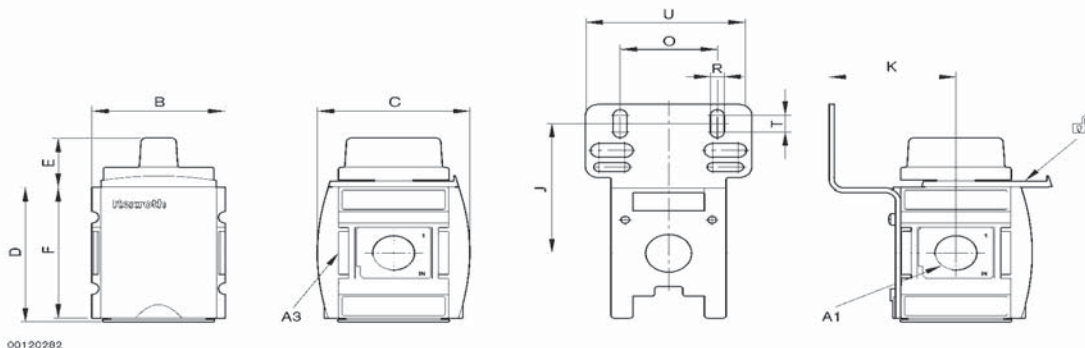
Air exhaust from connection A to R: nominal size 1.5mm

Part no.

Symbol	Threaded ports	Nominal flow qn [CFM]	Weight [lbs]	Part no.
	1/4 NPT	106	0.45	R432002358 (lockable)
	3/8 NPT	106	0.45	R432002359 (lockable)

Accessories (to be ordered separately)

Accessories		Part no.
	Pneumatic silencer (short)	R432031044
	Mounting plate AS2-MBR-...-W01	R432031071
	Block assembly kit AS2-MBR-...-W04	R412006371
	Mounting strap AS2-MBR-...-W03	R412006370



(mounting bracket not included, order separately)

A1	A3	B	C	D	E	F	J	K	O	R	T	U
1/4 NPTF	1/4 NPT	2.047	2.323	2.512	0.925	2.441	2.433	1.945	1.496	0.213	0.394	2.559
3/8 NPTF	1/4 NPT	2.047	2.323	2.512	0.925	2.441	2.433	1.945	1.496	0.213	0.394	2.559

Dimensions in inches

Compressed air maintenance unit, series AS2-Inch

Filling valve (soft start) AS2-SSV, 1/4 NPT - 3/8 NPT, ATEX approved



Technical Data

Type	Poppet valve
Operating pressure	36 ... 232 psi
Nominal flow q_n	see table
Secondary pressure	91 psi and $\Delta p = 15$ psi
Ambient temperature	-10 °C to +50 °C (14 °F to +122 °F) *
Medium	Compressed air
Weight	see table
Installation position	any

Materials (body)	Polyamide, seals Buna-N(NBR)
Threaded bushing	Die-cast zinc

Cover	ABS
-------	-----

ATEX:	In zone 1 (gas-ex, category 2G) In zone 21 (dust-ex, category 2D) In zone 2 (gas-ex, category 3G) In zone 22 (dust-ex, category 3D)
-------	--

* with dried air

Version:

Opening pressure: approx. 50% of input pressure

Actuating method: via secondary pressure

Only for closed systems

Please observe note regarding compressed air preparation!

Additional technical data: see 3/2 directional-control valve AS 2 and filling valve AS 2

Slowly builds up the pressure in pneumatic installations, i.e. prevents sudden pressure build-up after a restart following mains pressure failure or EMERGENCY OFF, thus preventing dangerous, sudden cylinder movements.



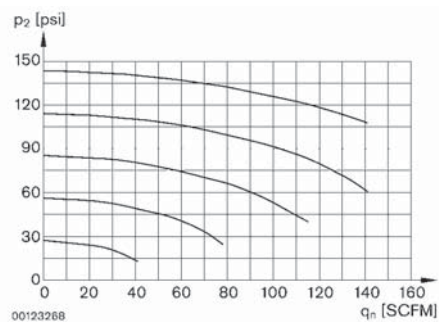
Part no.

Symbol	Threaded ports	Nominal flow q_n [CFM]	With options	Weight [lbs]	Part no.
	1/4 NPT	81	Filling adjustable	0.45	R432000676
	3/8 NPT	81	Filling adjustable	0.45	R432000677

Accessories (to be ordered separately)

	Accessory	Part no.
	Mounting plate AS2-MBR-...-W01	R432031071
	Mounting strap AS2-MBR-...-W03	R412006370
	Block assembly kit AS2-MBR-...-W04	R412006371

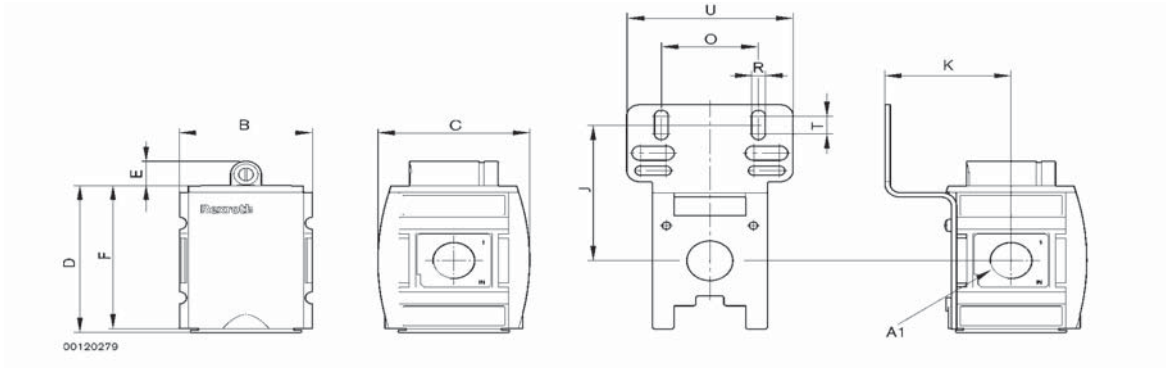
Flow rate characteristic



p_2 = secondary pressure
 q_n = nominal flow

Compressed air maintenance unit, series AS2-Inch

Filling valve (soft start) AS2-SSV, 1/4 NPT - 3/8 NPT, ATEX approved



(mounting bracket not included, order separately)

A1	B	C	D	E	F	J	K	O	R	T	U
1/4 NPT	2.047	2.323	2.630	0.441	2.559	2.433	1.945	1.496	0.213	0.394	2.559
3/8 NPT	2.047	2.323	2.630	0.441	2.559	2.433	1.945	1.496	0.213	0.394	2.559

Dimensions in inches

Compressed air maintenance unit, series AS2-Inch

Distributor block AS2-DIS, 3-way, 1/4 NPT - 3/8 NPT, ATEX approved



Technical Data

Nominal flow qn	See table	
Secondary pressure = 91 psi and $\Delta p = 15$ psi		
Ambient temperature range	-10 °C to +50 °C (14 °F to 122 °F) *	
Medium	Compressed air	
Weight	See table	
Installation position	any	
Materials	Body Threaded insert Cover	Polyamide, seals Buna-N(NBR) Die cast Zinc ABS
ATEX:	In zone 1 (gas-ex, category 2G) In zone 21 (dust-ex, category 2D) In zone 2 (gas-ex, category 3G) In zone 22 (dust-ex, category 3D)	



Suitable for flange assembly of a mechanical vacuum/pressure switch

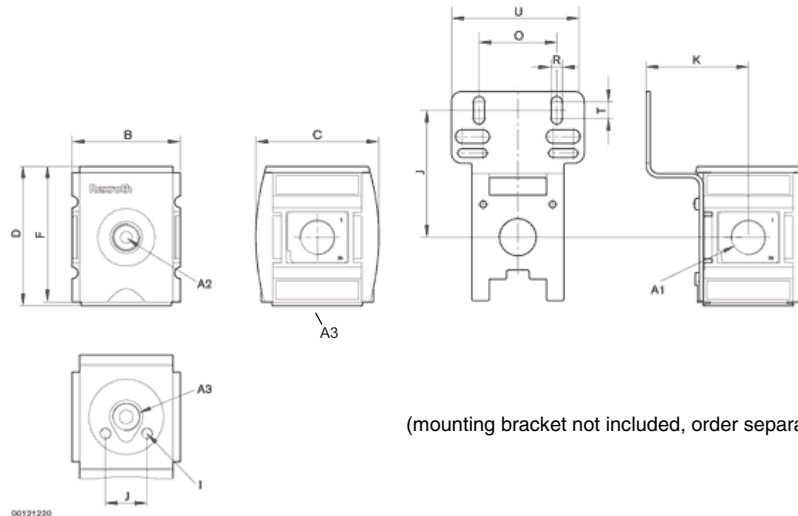
Part no.

Symbol	Threaded ports	Nominal flow qn [CFM]	Weight [lbs]	Part no.
	1/4 NPT	95 (1->2) ¹⁾	0.55	R432000658
	3/8 NPT	127 (1->2) ¹⁾	0.55	R432000659

1) top (1->5) = 70 CFM; front (1->4) = 31 CFM; below (1->3) = 70 CFM

Accessories (to be ordered separately)

Accessory	Part no.	
	Mechanical vacuum switch, pabs = -13 ... 0 psi	0821100020
	Mechanical pressure switch, p1 = 2 ... 43 psi	0821100021
	Mechanical pressure switch, p1 = 15 ... 232 psi	0821100023
	Block assembly kit AS2-MBR-...-W04	R412006371
	Mounting strap AS2-MBR-...-W03	R412006370
	Mounting plate AS2-MBR-...-W01	R432031071



(mounting bracket not included, order separately)

A1	A2	A3	B	C	D	F	I	J	K	O	R	T	U
1/4 NPT	1/4 NPT	1/4 NPT	2.047	2.323	2.630	2.559	M5 (10-32)	0.787	1.945	1.496	0.213	0.394	2.559
3/8 NPT	1/4 NPT	1/4 NPT	2.047	2.323	2.630	2.559	M5 (10-32)	0.787	1.945	1.496	0.213	0.394	2.559

Dimensions in inches

Compressed air maintenance unit, series AS3-Inch

AS3 Inch (3/8" and 1/2" NPT) version index



	Page
AS3-ACD Combination FR+L maintenance unit, NPT	37
AS3-ACT Combination F+R+L maintenance unit, NPT	39
AS3-RGS Pressure regulator, NPT	41
AS3-RGS-DS Pressure regulator, manifold version, NPT	43
AS3-RGP Precision pressure regulator, NPT	45
AS3-RGP-DS Precision pressure reg., manifold version, NPT....	47
AS3-FRE Filter regulator, NPT	49
AS3-FLS Standard filter (5 micron), NPT	52
AS3-FLP Pre-filter (0.3 micron), NPT	54
AS3-FLC Coalescing filter (0.01 micron), NPT	56
AS3-FLA Active carbon filter, NPT	58
AS3-LBS Lubricator, NPT	60
AS3-SOV 3/2 Dump valve, electrically operated, NPT	62
AS3-SOV 3/2 Dump valve, pneumatically operated, NPT	64
AS3-BAV Manual shut-off valve, lockable option, NPT	66
AS3-SSV Filling valve (soft start), NPT	67
AS3-DIS Distributor block, NPT	69
Accessories index (including repair parts and kits)	194
AS3 Mounting brackets and other accessories	204
Pressure gauges	225

Compressed air maintenance unit, series AS3-Inch

FR+L Maintenance unit AS3-ACD, 2-in-1, 3/8 NPT - 1/2 NPT, ATEX approved



Technical Data

Type	Filter Pressure regulator	Filter element replaceable Diaphragm-type pressure regulator with relief opening and reverse flow capability Regulator knob lockable
	Lubricator	Standard oil-drop lubricator with automatic oil filling Fill level – sight glass with slotted screw adjustment for oil metering
		Can be filled with oil during operation
Supply pressure	Condensate drain	semi-automatic: 7 ... 232 psi fully automatic: 21 ... 232 psi
Secondary pressure		See table
Nominal flow Qn (CFM)		See table
Secondary pressure = 91 psi and Δp = 15 psi		
Temperature range		-10° to +50 °C (14 °F ... +122 °F) *
Medium		Compressed air
Weight		See table
Installation position		Vertical
Materials	Body Thread insert Reservoir Bowl guard Cover Filter element	Polyamide, seals Buna-N(NBR) Die-cast zinc Polycarbonate or die cast zinc, with bayonet catch Polyamide (polycarbonate bowls only) ABS Polyethylene
Reservoir capacity	Filter Lubricator	49 cm ³ (1.6 U.S. Fl. oz.) (semi-automatic) 80 cm ³ (2.7 U.S. Fl. oz.)
Filter porosity		5 μm
ATEX	In zone 1 (gas-ex, category 2G) In zone 21 (dust-ex, category 2D) In zone 2 (gas-ex, category 3G) In zone 22 (dust-ex, category 3D)	



* with dried air
Filter for separating solid impurities up to 5 μm from compressed air and gases
For quality classes according to DIN ISO 8573-1
- Solid impurities: class 3
- Humidity - water content: class 8
Oil type: HL 68 (DIN 51 524 - ISO VG 68)
Standard values for oil metering: 1-2 drops / min at a nominal flow rate of Qn = 35.30 CFM
Plastic containers may only be cleaned with water, soap suds, and other similar, neutral agents.

▶ - semi and fully automatic condensate drain *

* either opened without pressure (NO) or closed without pressure (NC)

Note: All Series AS filter drains include a manual drain function as standard.

Part no.

Symbol	Threaded ports	Nominal flow Qn (CFM)	Secondary pressure [psi]	Options	Weight [lbs.]	Part no. with pressure gauge (Poly./Metal)
	3/8 NPT	123	7 ... 116	Polycarbonate w/guard or metal bowl, semi-automatic, without pressure: open	2.24	R432002005/R432002216
	3/8 NPT	123	21 ... 116	Polycarbonate w/guard or metal bowl, fully automatic, without pressure: open	2.35	R432002006/R432002217
	3/8 NPT	123	0 ... 116	Polycarbonate w/guard or metal bowl, fully automatic, without pressure: closed	2.35	R432002007/R432002218
	1/2 NPT	123	7 ... 116	Polycarbonate w/guard or metal bowl, semi-automatic, without pressure: open	2.24	R432002008/R432002222
	1/2 NPT	123	21 ... 116	Polycarbonate w/guard or metal bowl, fully automatic, without pressure: open	2.35	R432002009/R432002223
	1/2 NPT	123	0 ... 116	Polycarbonate w/guard or metal bowl, fully automatic, without pressure: closed	2.35	R432002010/R432002224

Nominal flow at inlet pressure 91 psi and 15 psi drop (P₁ = 6.3 bar, ΔP = 1 bar)

Accessories (to be ordered separately)

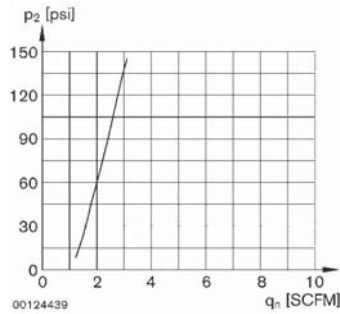
	Accessory	Part no.
	Spare parts kit: see filter pressure regulator valve AS3-FRE and oil drop lubricator AS3-CBS	
	Mounting plate AS3-MBR-...-W01	R432031072
	Mounting strap AS3-MBR-...-W03	R412007370
	Block assembly kit AS3-MBR-...-W04	R412007371
	Mounting flange kit (3/8 inch) AS3-MBR-N038...-W05	R432002017
	Mounting flange kit (1/2 inch) AS3-MBR-N012...-W05	R432002018

Compressed air maintenance unit, series AS3-Inch

FR+L Maintenance unit AS3-ACD, 2-in-1, 3/8 NPT - 1/2 NPT, ATEX approved

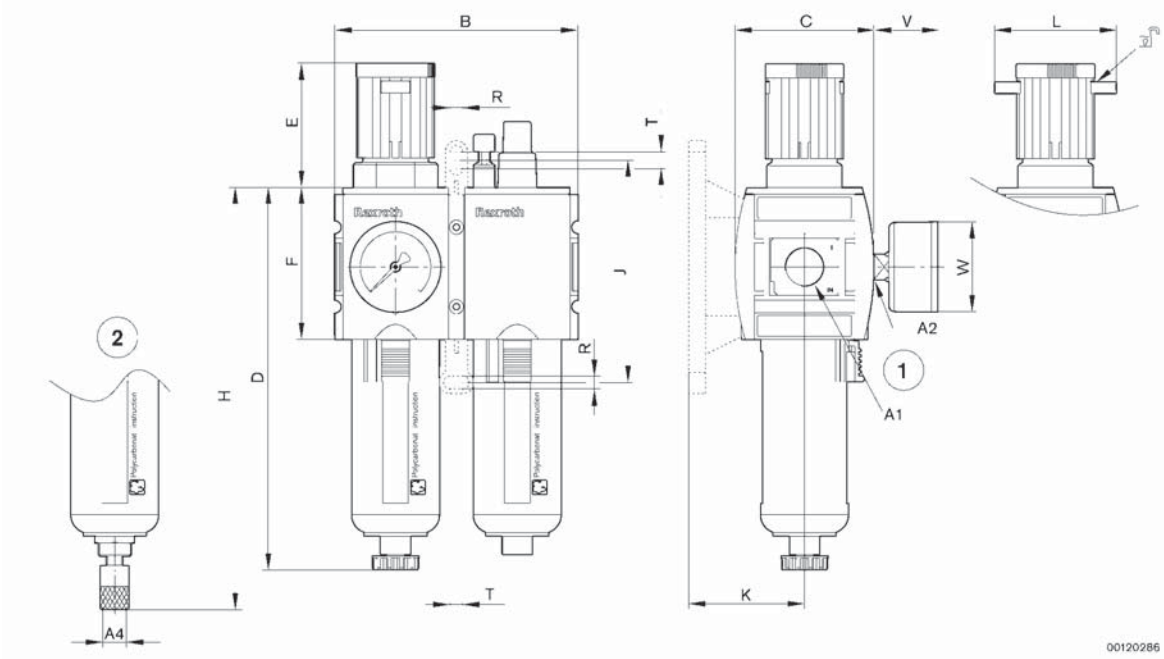
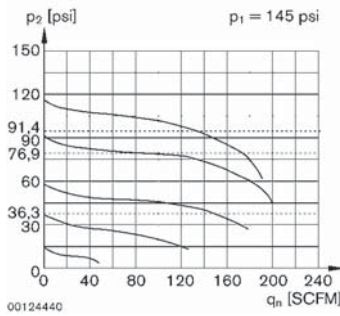


Lubrication activation margin



p_1 = Supply pressure; p_2 = Secondary pressure; q_n = Nominal flow

Flow rate characteristic (setting range p_2 : 7 to 116 psi)



- 1) Semi-automatic condensate drain
- 2) Fully automatic condensate drain

A1	A2	A4	B	C	D	E	F	H	J	K	L	R	T	V	W
3/8 NPT	1/4 NPT	G 1/8	4.961	2.913	7.461	2.500	3.150	8.110	4.094	2.795	2.323	0.252	0.315	1.260	1.969
1/2 NPT	1/4 NPT	G 1/8	4.961	2.913	7.461	2.500	3.150	8.110	4.094	2.795	2.323	0.252	0.315	1.260	1.969

Dimensions in inches

Compressed air maintenance unit, series AS3-Inch

FRL Maintenance unit AS3-ACT, 3-in-1, 3/8 NPT - 1/2 NPT, ATEX approved



Technical Data

Type	Filter Pressure regulator Lubricator	Filter element replaceable Diaphragm-type pressure regulator with relief opening, reverse flow capability, and lockable regulator knob Standard oil-drop lubricator with semi-automatic oil filling Fill level – sight glass with slotted screw adjustment for oil metering Can be filled with oil during operation
Supply pressure	Condensate drain	semi-automatic: 7 ... 232 psi fully automatic: 21 ... 232 psi
Secondary pressure		See table
Nominal flow Qn		See table
Secondary pressure = 91 psi and Δp = 15 psi		
Temperature range		-10° to +50 °C (14 °F ... 122 °F) *
Medium		Compressed air
Weight		See table
Installation position		Vertical
Materials	Body Thread insert Reservoir Bowl guard Cover Filter element	Polyamide, seals Buna-N(NBR) Die-cast zinc Polycarbonate or die cast zinc, with bayonet catch Polyamide (polycarbonate bowls only) ABS Polyethylene
Reservoir capacity	Filter Lubricator	49 cm ³ (1.6 U.S. Fl oz) (semi-automatic) 80 cm ³ (2.7 U.S. Fl oz)
Filter porosity		5 μm
ATEX	In zone 1 (gas-ex, category 2G) In zone 21 (dust-ex, category 2D) In zone 2 (gas-ex, category 3G) In zone 22 (dust-ex, category 3D)	



* with dried air
Filter for separating solid impurities up to 5 μm from compressed air and gases
For quality classes according to DIN ISO 8573-1
- Solid impurities: class 3
- Humidity - water content: class 8
Oil type: HL 68 (DIN 51 524 - ISO VG 68)
Standard values for oil metering: 1-2 drops / min at a nominal flow rate of Qn = 35.30 CFM
Plastic containers may only be cleaned with water, soap suds, and other similar, neutral agents.

▶ - semi and fully automatic condensate drain*

* either opened without pressure (NO) or closed without pressure (NC)

Note: All Series AS filter drains include a manual drain function as standard.

Part no.

Symbol	Threaded ports	Nominal flow Qn [CFM]	Secondary pressure [psi]	Options	Weight [lbs.]	Part no. with pressure gauge (Poly./Metal)
	3/8 NPT	123	7 ... 116	Polycarbonate w/guard or metal bowl, semi-automatic, without pressure: open	2.98	R432002011/R432002230
	3/8 NPT	123	21 ... 116	Polycarbonate w/guard or metal bowl, fully automatic, without pressure: open	3.09	R432002012/R432002231
	3/8 NPT	123	0 ... 116	Polycarbonate w/guard or metal bowl, fully automatic, without pressure: closed	3.09	R432002013/R432002232
	1/2 NPT	123	7 ... 116	Polycarbonate w/guard or metal bowl, semi-automatic, without pressure: open	2.98	R432002014/R432002236
	1/2 NPT	123	21 ... 116	Polycarbonate w/guard or metal bowl, fully automatic, without pressure: open	3.09	R432002015/R432002237
	1/2 NPT	123	0 ... 116	Polycarbonate w/guard or metal bowl, fully automatic, without pressure: closed	3.09	R432002016/R432002238

Nominal flow at inlet pressure 91 psi and 15 psi drop (P₁ = 6.3 bar, ΔP = 1 bar)

Accessories (to be ordered separately)

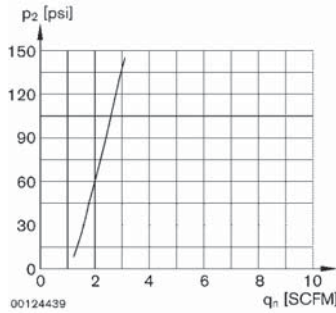
	Accessory	Part no.
	Spare parts kit: see filter pressure regulator valve AS3-FRE and oil-drop lubricator AS3-CBS	
	Mounting plate AS3-MBR-...-W01	R432031072
	Mounting strap AS3-MBR-...-W03	R412007370
	Block assembly kit AS3-MBR-...-W04	R412007371
	Mounting flange kit (3/8 inch) AS3-MBR-N038...-W05	R432002017
Mounting flange kit (1/2 inch) AS3-MBR-N012...-W05	R432002018	

Compressed air maintenance unit, series AS3-Inch

FRL Maintenance unit AS3-ACT, 3-in-1, 3/8 NPT - 1/2 NPT, ATEX approved

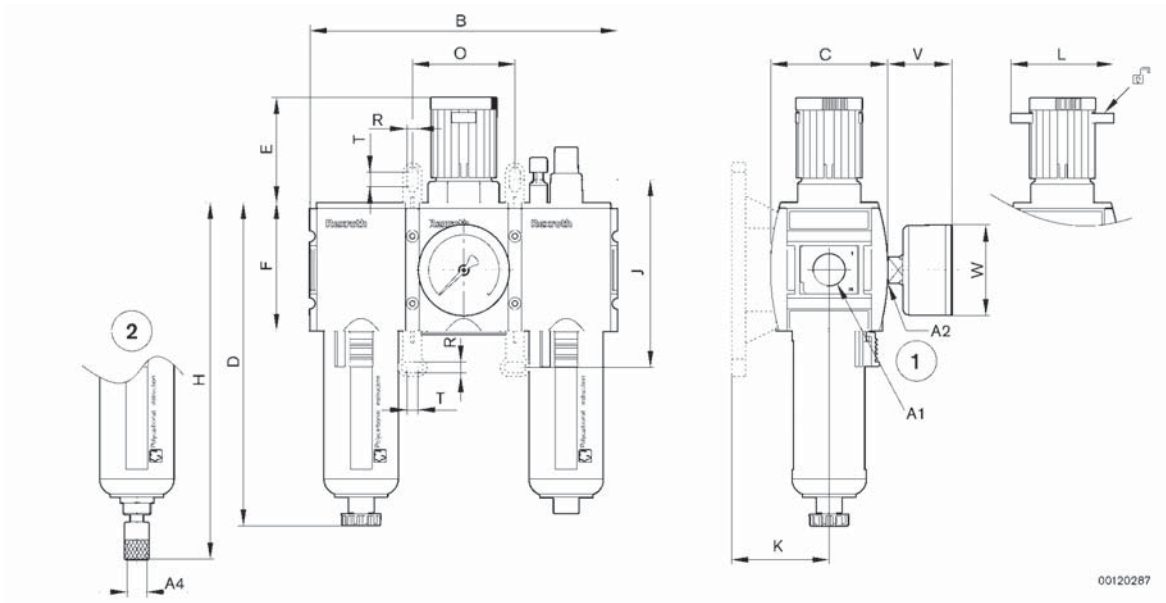
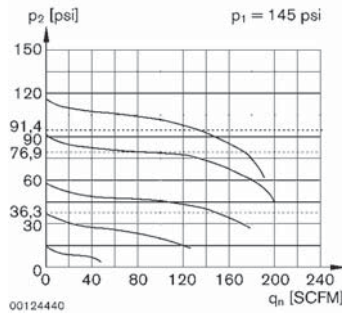


Lubrication activation margin



p_1 = Supply pressure; p_2 = Secondary pressure; q_n = Nominal flow

Flow rate characteristic (setting range p_2 : 7 to 116 psi)



- 1) Semi-automatic condensate drain
- 2) Fully automatic condensate drain

A1	A2	A4	B	C	D	E	F	H	J	K	L	O	R	T	V	W
3/8 NPT	1/4 NPT	G 1/8	7.441	2.913	7.461	2.500	3.150	8.110	4.094	2.795	2.323	2.480	0.252	0.315	1.260	1.969
1/2 NPT	1/4 NPT	G 1/8	7.441	2.913	7.461	2.500	3.150	8.110	4.094	2.795	2.323	2.480	0.252	0.315	1.260	1.969

Dimensions in inches

Compressed air maintenance unit, series AS3-Inch

Pressure regulator AS3-RGS, 3/8 NPT - 1/2 NPT, ATEX approved

AVENTICS®



Technical Data

Type	Diaphragm-type pressure regulator with relief opening and reverse flow capability	
Supply pressure	232 psi	
Secondary pressure	See table	
Nominal flow Qn	See table	
Secondary pressure = 91 psi and Δp = 15 psi		
Temperature range	-10 to +50 °C (14 °F ... 122 °F)	
Medium	Compressed air	
Weight	See table	
Installation position	any	
Materials	Body Thread insert	Polyamide, seals Buna-N(NBR) Die-cast zinc
ATEX	In zone 1 (gas-ex, category 2G) In zone 21 (dust-ex, category 2D) In zone 2 (gas-ex, category 3G) In zone 22 (dust-ex, category 3D)	



* with dried air

Part no.

Symbol	Threaded ports	Nominal flow Qn [CFM]	Secondary pressure [psi]	Weight [lbs.]	Part no. with pressure gauge
	3/8 NPT	58	1 ... 14	1.323	R432001933
	3/8 NPT	162	1 ... 29	1.323	R432001935
	3/8 NPT	176	2 ... 58	1.323	R432001937
	3/8 NPT	151	7 ... 116	1.323	R432001939
	3/8 NPT	151	7 ... 145	1.323	R432001941
	3/8 NPT	123	7 ... 232	1.323	R432001943
	1/2 NPT	58	1 ... 14	1.323	R432001945
	1/2 NPT	162	1 ... 29	1.323	R432001947
	1/2 NPT	176	2 ... 58	1.323	R432001949
	1/2 NPT	183	7 ... 116	1.323	R432001951
	1/2 NPT	183	7 ... 145	1.323	R432001953
	1/2 NPT	141	7 ... 232	1.323	R432001955

Part no.

Symbol	Threaded ports	Nominal flow Qn [CFM]	Secondary pressure [psi]	Weight [lbs.]	Part no. without pressure gauge
	3/8 NPT	58	1 ... 14	1.164	R432001932
	3/8 NPT	162	1 ... 29	1.164	R432001934
	3/8 NPT	178	2 ... 58	1.164	R432001936
	3/8 NPT	151	7 ... 116	1.164	R432001938
	3/8 NPT	151	7 ... 145	1.164	R432001940
	3/8 NPT	123	7 ... 232	1.164	R432001942
	1/2 NPT	58	1 ... 14	1.164	R432001944
	1/2 NPT	162	1 ... 29	1.164	R432001946
	1/2 NPT	176	2 ... 58	1.164	R432001948
	1/2 NPT	183	7 ... 116	1.164	R432001950
	1/2 NPT	183	7 ... 145	1.164	R432001952
	1/2 NPT	141	7 ... 232	1.164	R432001954

Accessories (to be ordered separately)

	Accessory	Part no.
	Pressure regulator valve seal kit	R961400144
	Mounting plate AS3-MBR-...-W01 (incl. 2 bolts)	R432031072
	Mounting strap AS3-MBR-...-W03	R412007370
	Block assembly kit AS3-MBR-...-W04	R412007371
	Mounting flange kit (3/8 inch) AS3-MBR-N038...-W05	R432002017
	Mounting flange kit (1/2 inch) AS3-MBR-N012...-W05	R432002018
	Control panel nut AS3-MBR-...-W06	R412007372

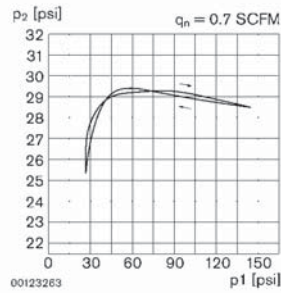
See accessories for pressure gauges

Compressed air maintenance unit, series AS3-Inch

Pressure regulator AS3-RGS, 3/8 NPT - 1/2 NPT, ATEX approved

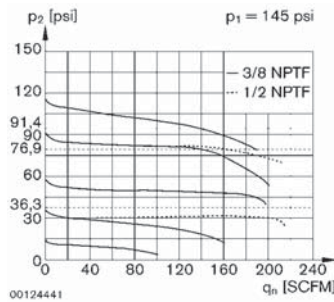


Pressure characteristics curve

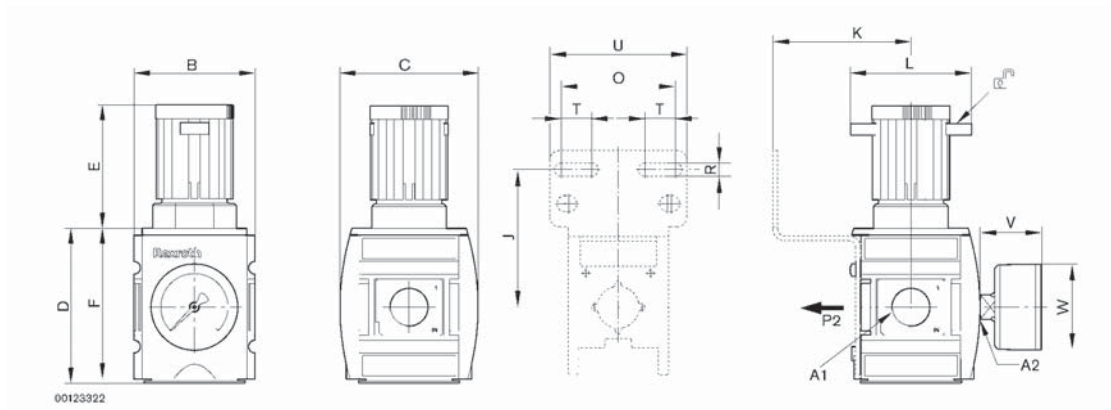


p_1 = Supply pressure; p_2 = Secondary pressure; q = Flow rate

Flow rate characteristic (setting range p_2 : 7 ... 116 psi)



p_1 = Supply pressure; p_2 = Secondary pressure; q_n = Nominal flow



A1	A2	B	C	D	E	F	J	K	L	O	R	T	U	V	W
3/8 NPT	1/4 NPT	2.480	2.913	3.228	2.500	3.150	2.854	2.795	2.323	2.362	0.276	0.630	2.835	1.378	1.969
1/2 NPT	1/4 NPT	2.480	2.913	3.228	2.500	3.150	2.854	2.795	2.323	2.362	0.276	0.630	2.835	1.378	1.969

Dimensions in inches

Compressed air maintenance unit, series AS3-Inch

Pressure regulator AS3-RGS...DS, with continuous pressure supply,
3/8 NPT - 1/2 NPT, ATEX approved



Technical Data

Type	Diaphragm-type pressure regulator with relief opening and reverse flow capability Lockable regulator knob	
Supply pressure	232 psi	
Secondary pressure	See table	
Nominal flow Qn	See table	
Secondary pressure = 91 psi and Δp = 15 psi		
Temperature range	-10 to +50 °C (14 °F ... 122 °F) *	
Medium	Compressed air	
Weight	See table	
Installation position	Any	
Materials	Body Thread insert Cover	Polyamide, seals Buna-N(NBR) Die-cast zinc ABS
ATEX	In zone 1 (gas-ex, category 2G) In zone 21 (dust-ex, category 2D) In zone 2 (gas-ex, category 3G) In zone 22 (dust-ex, category 3D)	

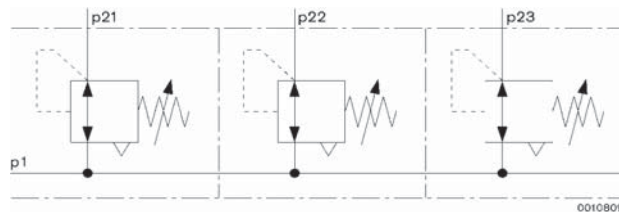


* with dried air

The p1 working pressure can be supplied from the left or the right in the device combination. With high nominal flows, a supply on both sides is recommended!

In the case of block assembly, only pressure gauge with Ø ≤ 2 inch can be used

Example of application



Part no.

Symbol	Threaded ports	Nominal flow Qn [CFM]	Secondary pressure [psi]	Weight [lbs.]	Part no. without pressure gauge
	3/8 NPT	58	1 ... 14	1.164	R432002088
	3/8 NPT	162	1 ... 29	1.164	R432002089
	3/8 NPT	176	2 ... 58	1.164	R432002090
	3/8 NPT	151	7 ... 116	1.164	R432002091
	3/8 NPT	151	7 ... 145	1.164	R432002092
	3/8 NPT	123	7 ... 232	1.164	R432002093
	1/2 NPT	58	1 ... 14	1.164	R432002094
	1/2 NPT	162	1 ... 29	1.164	R432002095
	1/2 NPT	176	2 ... 58	1.164	R432002096
	1/2 NPT	183	7 ... 116	1.164	R432002097
	1/2 NPT	183	7 ... 145	1.164	R432002098
	1/2 NPT	141	7 ... 232	1.164	R432002099

Accessories (to be ordered separately)

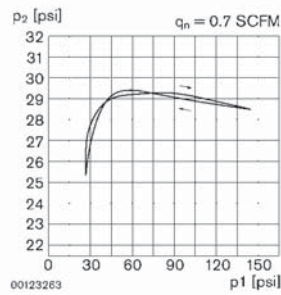
	Accessory	Part no.
	Pressure regulator valve seal kit	R961400144
	Mounting plate AS3-MBR-...-W01 (incl. 2 bolts)	R432031072
	Mounting strap AS3-MBR-...-W03	R412007370
	Block assembly kit AS3-MBR-...-W04	R412007371
	Mounting flange kit (3/8 inch) AS3-MBR-N038...-W05	R432002017
	Mounting flange kit (1/2 inch) AS3-MBR-N012...-W05	R432002018
	Control panel nut AS3-MBR-...-W06	R412007372

Compressed air maintenance unit, series AS3-Inch

Pressure regulator AS3-RGS...DS, with continuous pressure supply,
3/8 NPT - 1/2 NPT, ATEX approved

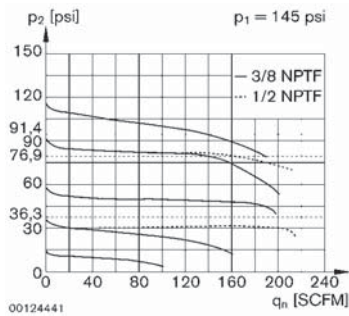


Pressure characteristics curve

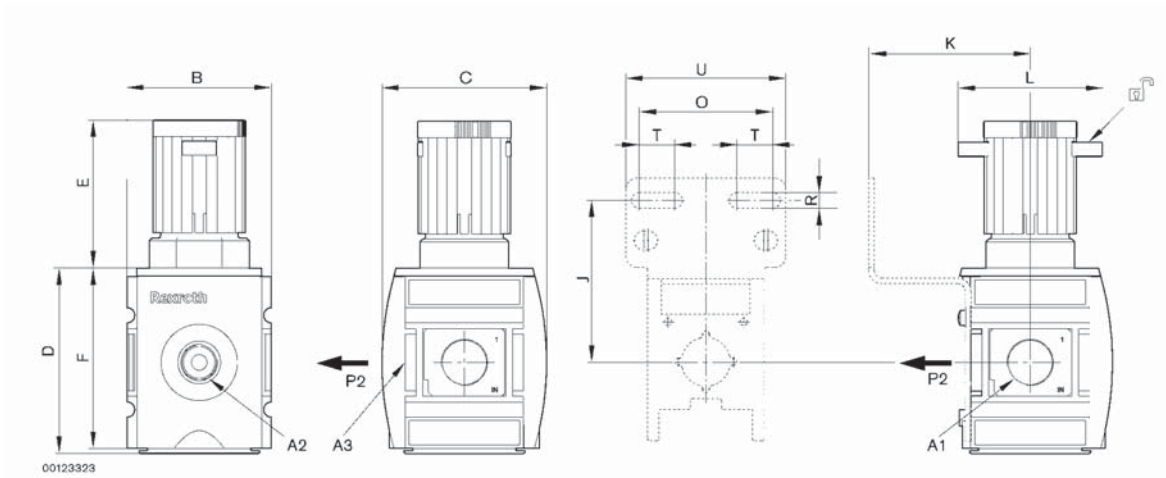


p_1 = Supply pressure; p_2 = Secondary pressure; q = Flow rate

Flow rate characteristic (setting range p_2 : 7 ... 116 psi)



p_1 = Supply pressure; p_2 = Secondary pressure; q_n = Nominal flow



p_2 = Secondary pressure

A1	A2	A3	B	C	D	E	F	J	K	L	O	R	T	U
3/8 NPT	1/4 NPT	3/8 NPTF	2.480	2.913	3.228	2.500	3.150	2.854	2.795	2.323	2.362	0.276	0.630	2.835
1/2 NPT	1/4 NPT	3/8 NPTF	2.480	2.913	3.228	2.500	3.150	2.854	2.795	2.323	2.362	0.276	0.630	2.835

Dimensions in inches

Compressed air maintenance unit, series AS3-Inch

Precision pressure regulator AS3-RGP, 3/8 NPT - 1/2 NPT,
ATEX approved



Technical Data

Type	Diaphragm-type pressure regulator with relief opening and reverse flow capability Lockable regulator knob	
Supply pressure	232 psi	
Secondary pressure	See table	
Nominal flow Qn	See table	
Secondary pressure = 91 psi and Δp = 15 psi		
Temperature range	-10 to +50 °C (14 °F to +122 °F) *	
Medium	Compressed air	
Weight	See table	
Installation position	Any	
Materials	Body Thread insert Cover	Polyamide, seals Buna-N(NBR) Die-cast zinc ABS



* with dried air
Continuous air consumption = 0.09 CFM, depending on secondary pressure p2 = 87 psi

ATEX	In zone 1 (gas-ex, category 2G) In zone 21 (dust-ex, category 2D) In zone 2 (gas-ex, category 3G) In zone 22 (dust-ex, category 3D)
------	--

Part no.

Symbol	Threaded ports	Nominal flow Qn [CFM]	Secondary pressure [psi]	Weight [lbs.]	Part no. with pressure gauge
	3/8 NPT	58	1 ... 14	1.323	R432001957
	3/8 NPT	162	1 ... 29	1.323	R432001959
	3/8 NPT	178	2 ... 58	1.323	R432001961
	3/8 NPT	151	7 ... 116	1.323	R432001963
	3/8 NPT	151	7 ... 145	1.323	R432001965
	1/2 NPT	58	1 ... 14	1.323	R432001967
	1/2 NPT	162	1 ... 29	1.323	R432001969
	1/2 NPT	176	2 ... 58	1.323	R432001971
	1/2 NPT	183	7 ... 116	1.323	R432001973
	1/2 NPT	183	7 ... 145	1.323	R432001975

Part no.

Symbol	Threaded ports	Nominal flow Qn [CFM]	Secondary pressure [psi]	Weight [lbs.]	Part no. without pressure gauge
	3/8 NPT	58	1 ... 14	1.164	R432001956
	3/8 NPT	162	1 ... 29	1.164	R432001958
	3/8 NPT	178	2 ... 58	1.164	R432001960
	3/8 NPT	151	7 ... 116	1.164	R432001962
	3/8 NPT	151	7 ... 145	1.164	R432001964
	1/2 NPT	58	1 ... 14	1.164	R432001966
	1/2 NPT	162	1 ... 29	1.164	R432001968
	1/2 NPT	176	2 ... 58	1.164	R432001970
	1/2 NPT	183	7 ... 116	1.164	R432001972
	1/2 NPT	183	7 ... 145	1.164	R432001974

Accessories (to be ordered separately)

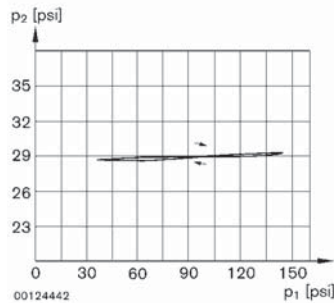
	Accessory	Part no.
	Pressure regulator valve seal kit	R961400145
	Mounting plate AS3-MBR-...-W01	R432031072
	Mounting strap AS3-MBR-...-W03	R412007370
	Block assembly kit AS3-MBR-...-W04	R412007371
	Mounting flange kit (3/8 inch) AS3-MBR-N038...-W05	R432002017
	Mounting flange kit (1/2 inch) AS3-MBR-N012...-W05	R432002018
	Control panel nut AS3-MBR-...-W06	R412007372

Compressed air maintenance unit, series AS3-Inch

Precision pressure regulator AS3-RGP, 3/8 NPT - 1/2 NPT,
ATEX approved

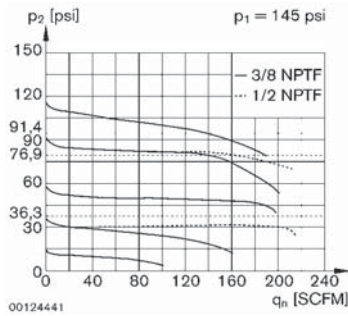


Pressure characteristics curve

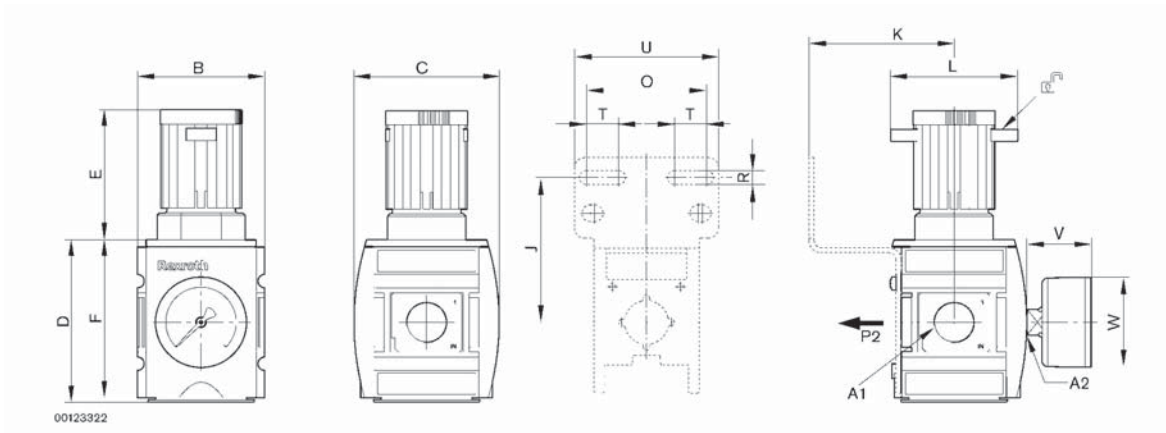


p_1 = Supply pressure; p_2 = Secondary pressure; q = Flow rate

Flow rate characteristic (setting range p_2 : 7 ... 116 psi)



p_1 = Supply pressure; p_2 = Secondary pressure; q_n = Nominal flow



A1	A2	B	C	D	E	F	J	K	L	O	R	T	U	V	W
3/8 NPT	1/4 NPT	2.480	2.913	3.228	2.500	3.150	2.854	2.795	2.323	2.362	0.276	0.630	2.835	1.378	1.969
1/2 NPT	1/4 NPT	2.480	2.913	3.228	2.500	3.150	2.854	2.795	2.323	2.362	0.276	0.630	2.835	1.378	1.969

Dimensions in inches

Compressed air maintenance unit, series AS3-Inch

Precision pressure regulator AS3-RGP-...-DS, with continuous pressure supply, 3/8 NPT - 1/2 NPT, ATEX approved



Technical Data

Type	Diaphragm-type pressure regulator with relief opening and reverse flow capability Lockable regulator knob	
Supply pressure	232 psi	
Secondary pressure	See table	
Nominal flow Qn	See table	
Secondary pressure = 91 psi and Δp = 15 psi		
Temperature range	-10° to +50 °C (14 °F ... 122 °F) *	
Medium	Compressed air	
Weight	See table	
Installation position	Any	
Materials	Body Thread insert Cover	Polyamide, seals Buna-N(NBR) Die-cast zinc ABS
ATEX	In zone 1 (gas-ex, category 2G) In zone 21 (dust-ex, category 2D) In zone 2 (gas-ex, category 3G) In zone 22 (dust-ex, category 3D)	



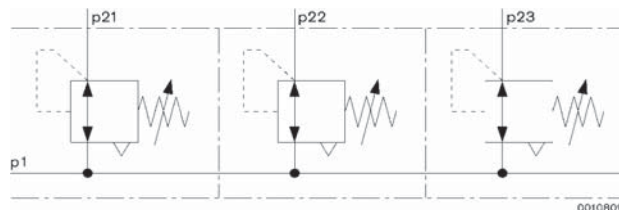
* with dried air

Continuous air consumption = 0.09 CFM, depending on secondary pressure p2 = 87 psi

The p1 working pressure can be supplied from the left or the right in the device combination. With high nominal flows, a supply on both sides is recommended!

In the case of block assembly, only pressure gauge with Ø ≤ 2 inch can be used

Example of application



Part no.

Symbol	Threaded ports	Nominal flow Qn [CFM]	Secondary pressure [psi]	Weight [lbs.]	Part no. without pressure gauge
	3/8 NPTF	58	1 ... 14	1.164	R432002104
	3/8 NPTF	162	1 ... 29	1.164	R432002105
	3/8 NPTF	176	2 ... 58	1.164	R432002106
	3/8 NPTF	151	7 ... 116	1.164	R432002107
	3/8 NPTF	151	7 ... 145	1.164	R432002108
	1/2 NPTF	58	1 ... 14	1.164	R432002110
	1/2 NPTF	162	1 ... 29	1.164	R432002111
	1/2 NPTF	176	2 ... 58	1.164	R432002112
	1/2 NPTF	183	7 ... 116	1.164	R432002113
	1/2 NPTF	183	7 ... 145	1.164	R432002114

Accessories (to be ordered separately)

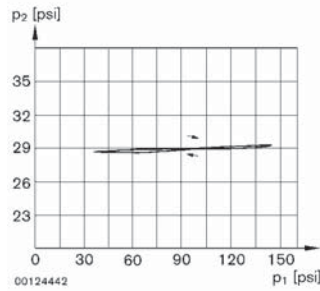
Accessory	Part no.
Pressure regulator valve seal kit	R961400145
Mounting plate AS3-MBR-...-W01	R432031072
Mounting strap AS3-MBR-...-W03	R412007370
Block assembly kit AS3-MBR-...-W04	R412007371
Mounting flange kit (3/8 inch) AS3-MBR-N038...-W05	R432002017
Mounting flange kit (1/2 inch) AS3-MBR-N012...-W05	R432002018
Control panel nut AS3-MBR-...-W06	R412007372

Compressed air maintenance unit, series AS3-Inch

Precision pressure regulator AS3-RGP-...-DS, with continuous pressure supply, 3/8 NPT - 1/2 NPT, ATEX approved

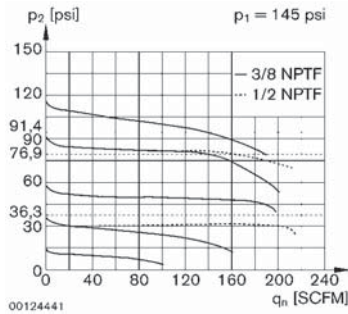


Pressure characteristics curve

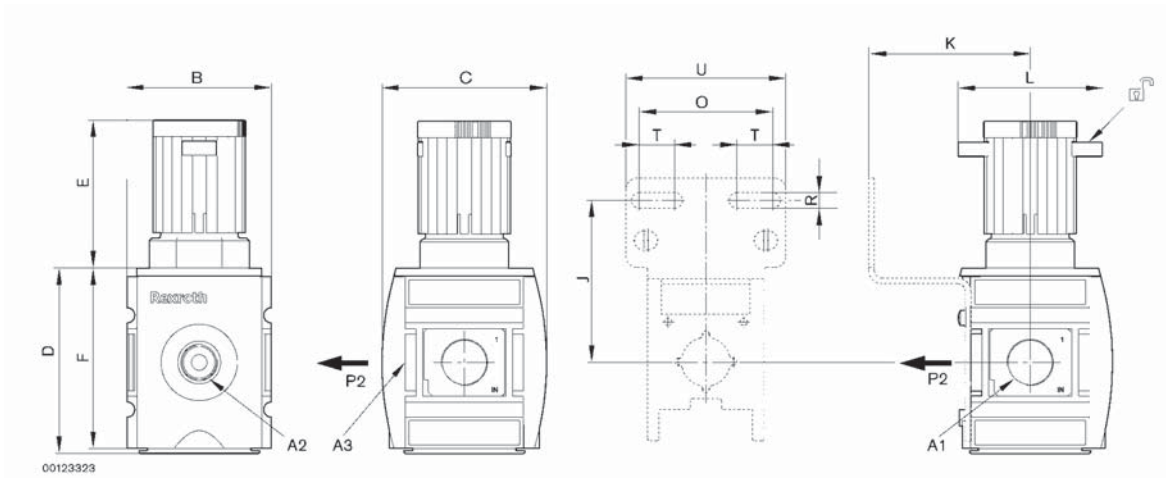


p_1 = Supply pressure; p_2 = Secondary pressure; q = Flow rate

Flow rate characteristic (setting range p_2 : 7 ... 116 psi)



p_1 = Supply pressure; p_2 = Secondary pressure; q_n = Nominal flow



p_2 = Secondary pressure

A1	A2	A3	B	C	D	E	F	J	K	L	O	R	T	U
3/8 NPT	1/4 NPT	3/8 NPT	2.480	2.913	3.228	2.480	3.150	2.854	2.795	2.323	2.362	0.276	0.630	2.835
1/2 NPT	1/4 NPT	3/8 NPT	2.480	2.913	3.228	2.480	3.150	2.854	2.795	2.323	2.362	0.276	0.630	2.835

Dimensions in inches

Compressed air maintenance unit, series AS3-Inch

Filter regulator AS3-FRE, 3/8 NPT - 1/2 NPT, ATEX approved



Technical Data

Type	Filter Pressure regulator	Filter element replaceable Diaphragm-type pressure regulator with relief opening and reverse flow capability Lockable regulator knob
Supply pressure	Condensate drain	semi-automatic: 7 ... 232 psi fully automatic: 21 ... 232 psi
Secondary pressure		See table
Nominal flow Qn		See table
Secondary pressure = 91 psi and Δp = 15 psi		
Ambient temperature		-10° to +50 °C (14 °F ... 122 °F) *
Medium		Compressed air
Weight		See table
Installation position		Vertical
Materials	Body Thread insert Reservoir Bowl guard Cover Filter element	Polyamide, seals Buna-N(NBR) Die-cast zinc Polycarbonate or die cast zinc, with bayonet catch Polyamide (polycarbonate bowls only) ABS Polyethylene
Reservoir capacity		49 cm ³ (1.6 US Fl oz) (semi-automatic)
Filter porosity		5 μm
ATEX	In zone 1 (gas-ex, category 2G) In zone 21 (dust-ex, category 2D) In zone 2 (gas-ex, category 3G) In zone 22 (dust-ex, category 3D)	



* with dried air

Filter for separating solid impurities up to 5 μm from compressed air and gases

For quality classes according to DIN ISO 8573-1

- Solid impurities: class 3

- Humidity - water content: class 8

Plastic containers may only be cleaned with water, soap suds, and other similar, neutral agents.

Note: All Series AS filter drains include a manual drain function as standard.

Part no.

Symbol	Threaded ports	Nominal flow Qn [CFM]	Secondary pressure [psi]	Options	Weight [lbs.]	Part no. with pressure gauge (Poly./Metal)
	3/8 NPT	151	7 ... 116	Polycarbonate w/guard or metal bowl, semi-automatic, w/out pressure: open	1.451	R432001988/R432002135
	3/8 NPT	151	21 ... 116	Polycarbonate w/guard or metal bowl, fully automatic, w/out pressure: open	1.559	R432001989/R432002136
	3/8 NPT	151	0 ... 116	Polycarbonate w/guard or metal bowl, fully automatic, w/out pressure: closed	1.559	R432001990/R432002137
	1/2 NPT	183	7 ... 116	Polycarbonate w/guard or metal bowl, semi-automatic, w/out pressure: open	1.451	R432001991/R432002141
	1/2 NPT	183	21 ... 116	Polycarbonate w/guard or metal bowl, fully automatic, w/out pressure: open	1.559	R432001992/R432002142
	1/2 NPT	183	0 ... 116	Polycarbonate w/guard or metal bowl, fully automatic, w/out pressure: closed	1.559	R432001993/R432002143

Part no.

Symbol	Threaded ports	Nominal flow Qn [CFM]	Secondary pressure [psi]	Options	Weight [lbs.]	Part no. without pressure gauge (Poly./Metal)
	3/8 NPT	151	7 ... 116	Polycarbonate w/guard or metal bowl, semi-automatic, w/out pressure: open	1.292	R432001976/R432002122
	3/8 NPT	151	21 ... 116	Polycarbonate w/guard or metal bowl, fully automatic, w/out pressure: open	1.400	R432001977/R432002123
	3/8 NPT	151	0 ... 116	Polycarbonate w/guard or metal bowl, fully automatic, w/out pressure: closed	1.400	R432001978/R432002124
	1/2 NPT	183	7 ... 116	Polycarbonate w/guard or metal bowl, semi-automatic, w/out pressure: open	1.292	R432001979/R432002128
	1/2 NPT	183	21 ... 116	Polycarbonate w/guard or metal bowl, fully automatic, w/out pressure: open	1.400	R432001980/R432002129
	1/2 NPT	183	0 ... 116	Polycarbonate w/guard or metal bowl, fully automatic, w/out pressure: closed	1.400	R432001981/R432002130


Nominal flow at inlet pressure 91 psi and 15 psi drop (P₁ = 6.3 bar, ΔP = 1 bar)

Compressed air maintenance unit, series AS3-Inch

Filter regulator AS3-FRE, 3/8 NPT - 1/2 NPT, ATEX approved

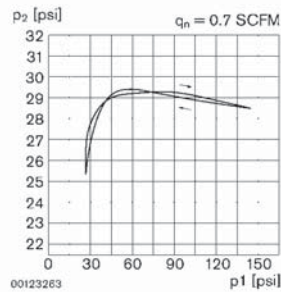


▲ Accessories (to be ordered separately)

	Accessory	Part no.
	Filter element, 5 µm	1829207068
	Pressure regulator valve seal kit	R961400144
	Mounting plate AS3-MBR-...-W01	R432031072
	Mounting strap AS3-MBR-...-W03	R412007370
	Block assembly kit AS3-MBR-...-W04	R412007371
	Mounting flange kit (3/8 inch) AS3-MBR-N038...-W05	R432002017
	Mounting flange kit (1/2 inch) AS3-MBR-N012...-W05	R432002018
	Control panel nut AS3-MBR-...-W06	R412007372

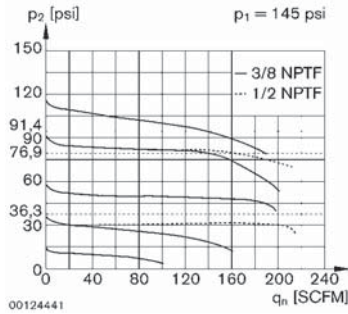
See accessories for filter reservoirs

Pressure characteristics curve



p_1 = Supply pressure; p_2 = Secondary pressure; q = Flow rate

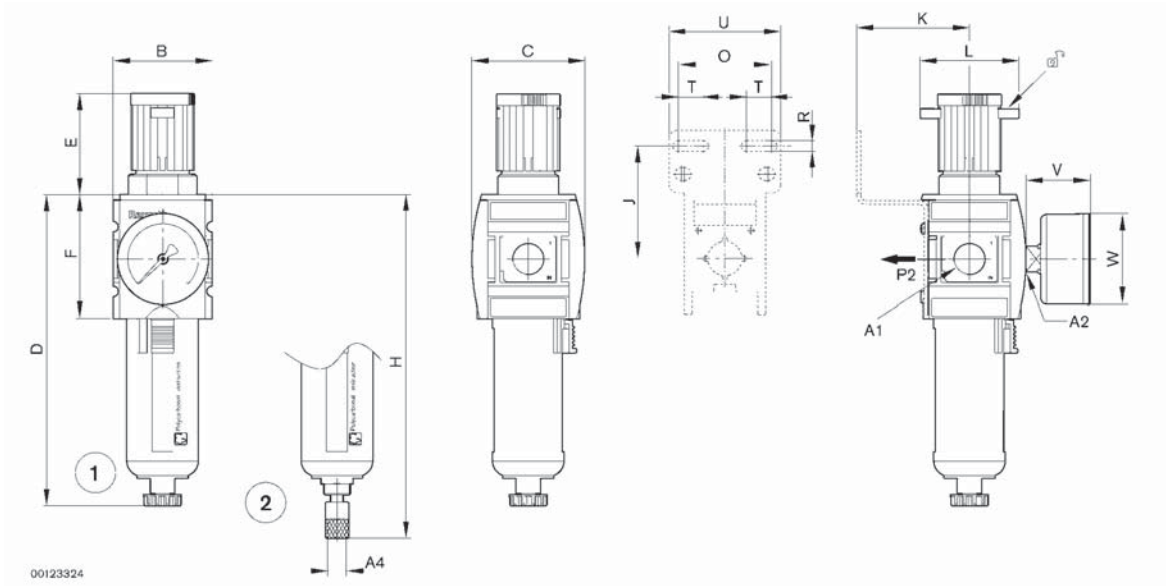
Flow rate characteristic (setting range p_2 : 7 ... 116 psi)



p_1 = Supply pressure; p_2 = Secondary pressure; q_n = Nominal flow; q = Flow rate

Compressed air maintenance unit, series AS3-Inch

Filter regulator AS3-FRE, 3/8 NPT - 1/2 NPT, ATEX approved



- 1) Semi-automatic condensate drain
- 2) Fully automatic condensate drain

A1	A2	A4	B	C	D	E	F	H	J	K	L	O	R	T	U	V	W
3/8 NPT	1/4 NPT	G 1/8	2.480	2.913	7.461	2.500	3.150	8.110	2.854	2.795	2.323	2.362	0.276	0.630	2.835	1.378	1.969
1/2 NPT	1/4 NPT	G 1/8	2.480	2.913	7.461	2.500	3.150	8.110	2.854	2.795	2.323	2.362	0.276	0.630	2.835	1.378	1.969

Dimensions in inches

Compressed air maintenance unit, series AS3-Inch

Standard filter AS3-FLS, 5 micron, 3/8 NPT - 1/2 NPT, ATEX approved



Technical Data

Type	Filter element replaceable	
Supply pressure	See table	
Ambient temperature	-10° to +50 °C (14 °F ... 122 °F) *	
Medium	Compressed air	
Weight	See table	
Installation position	vertical	
Materials	Body	Polyamide, seals Buna-N(NBR)
	Thread insert	Die-cast zinc
	Reservoir	Polycarbonate or die cast zinc, with bayonet catch
	Bowl guard	Polyamide (polycarbonate bowls only)
	Cover	ABS
	Filter element	Polyethylene
Reservoir capacity	49 cm ³ (1.6 US Fl oz) (semi-automatic)	
Filter porosity	5 µm	
ATEX	In zone 1 (gas-ex, category 2G) In zone 21 (dust-ex, category 2D) In zone 2 (gas-ex, category 3G) In zone 22 (dust-ex, category 3D)	



* with dried air

Filter for separating solid impurities up to 5 µm from compressed air and gases

For quality classes according to DIN ISO 8573-1

- Solid impurities: class 3

- Humidity - water content: class 8

Optionally with a semi or fully automatic condensate drain

Condensate drain opened without pressure or closed without pressure.

Plastic containers may only be cleaned with water, soap suds, and other similar, neutral agents.

Note: All Series AS filter drains include a manual drain function as standard.

Part no.

Symbol	Threaded ports	Nominal flow Qn [CFM]	Supply pressure [psi]	Options	Weight [lbs.]	Part no. (Poly./Metal)
	3/8 NPT	123	7 ... 232	Polycarbonate w/guard or metal bowl, semi-automatic, w/out pressure: open	0.796	R432001900/R432002020
	3/8 NPT	123	21 ... 232	Polycarbonate w/guard or metal bowl, fully automatic, w/out pressure: open	0.904	R432001901/R432002021
	3/8 NPT	123	0 ... 232	Polycarbonate w/guard or metal bowl, fully automatic, w/out pressure: closed	0.904	R432001902/R432002022
	1/2 NPT	123	7 ... 232	Polycarbonate w/guard or metal bowl, semi-automatic, w/out pressure: open	0.796	R432001906/R432002023
	1/2 NPT	123	21 ... 232	Polycarbonate w/guard or metal bowl, fully automatic, w/out pressure: open	0.904	R432001907/R432002024
	1/2 NPT	123	0 ... 232	Polycarbonate w/guard or metal bowl, fully automatic, w/out pressure: closed	0.904	R432001908/R432002025

Accessories (to be ordered separately)

	Accessory	Part no.
	Filter element, 5 µm	1829207068
	Mounting plate AS3-MBR-...-W01	R432031072
	Mounting strap AS3-MBR-...-W03	R412007370
	Block assembly kit AS3-MBR-...-W04	R412007371
	Mounting flange kit (3/8 inch) AS3-MBR-N038...-W05	R432002017
	Mounting flange kit (1/2 inch) AS3-MBR-N012...-W05	R432002018

See accessories for filter reservoirs

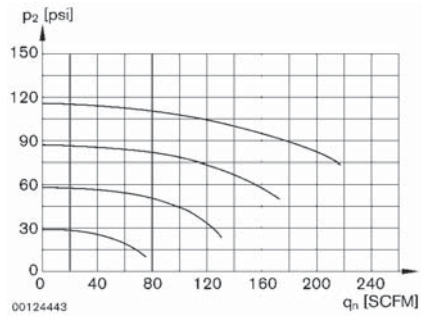
Nominal flow at inlet pressure 91 psi and 15 psi drop ($P_1 = 6.3 \text{ bar}$, $\Delta P = 1 \text{ bar}$)

Compressed air maintenance unit, series AS3-Inch

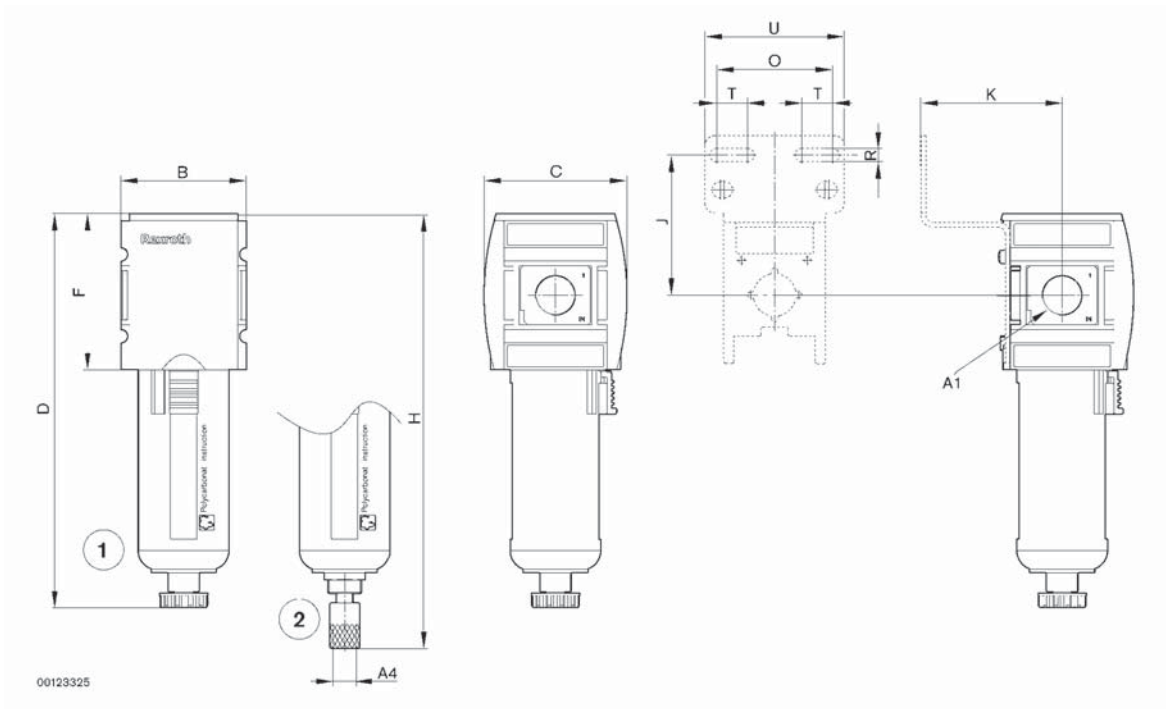
Standard filter AS3-FLS, 5 micron, 3/8 NPT - 1/2 NPT, ATEX approved



Flow rate characteristic



p_1 = Supply pressure; p_2 = Secondary pressure; q_n = Nominal flow



- 1) Semi-automatic condensate drain
- 2) Fully automatic condensate drain

A1	A4	B	C	D	F	H	J	K	O	R	T	U
3/8 NPT	G 1/8	2.480	2.913	7.461	3.150	8.110	2.854	2.795	2.362	0.276	0.630	2.835
1/2 NPT	G 1/8	2.480	2.913	7.461	3.150	8.110	2.854	2.795	2.362	0.276	0.630	2.835

Dimensions in inches

Compressed air maintenance unit, series AS3-Inch

Pre-filter AS3-FLP, 0.3 micron, 3/8 NPT - 1/2 NPT, ATEX approved



Technical Data

Type	Pre-filter element replaceable	
Supply pressure	See table	
Temperature range	-10° to +50 °C (14 °F ... 122 °F) *	
Medium	Compressed air	
Weight	See table	
Installation position	vertical	
Materials	Body	Polyamide, seals Buna-N(NBR)
	Thread insert	Die-cast zinc
	Reservoir	Polycarbonate or die cast zinc, with bayonet catch
	Bowl guard	Polyamide (polycarbonate bowls only)
	Cover	ABS
	Filter element	Polymer-impregnated paper
Reservoir capacity	49 cm ³ (1.6 US Fl oz) (semi-automatic)	
Filter porosity	0.3 μm	
ATEX	In zone 1 (gas-ex, category 2G) In zone 21 (dust-ex, category 2D) In zone 2 (gas-ex, category 3G) In zone 22 (dust-ex, category 3D)	



* with dried air

Pre-filter for separating solid impurities up to 0.3 μm from compressed air and gases

The filter element should be exchanged if there is an increase of Δp by max. 5 psi or once a year.

Dust separation = 99.99 %

For quality classes according to DIN ISO 8573-1

- Solid impurities: class 2

- Humidity - water content: class 8

Plastic containers may only be cleaned with water, soap suds, and other similar, neutral agents.

Note: All Series AS filter drains include a manual drain function as standard.

Part no.

Symbol	Threaded ports	Nominal flow Qn [CFM] 1) 2)	Supply pressure [psi]	Options	Weight [lbs.]	Part no. (Poly./Metal)
	3/8 NPT	20	7 ... 232	Polycarbonate w/guard or metal bowl, semi-automatic, w/out pressure: open	0.796	R432001912/R432002029
	3/8 NPT	20	21 ... 232	Polycarbonate w/guard or metal bowl, fully automatic, w/out pressure: open	0.904	R432001913/R432002030
	3/8 NPT	20	0 ... 232	Polycarbonate w/guard or metal bowl, fully automatic, w/out pressure: closed	0.904	R432001914/R432002031
	1/2 NPT	22	7 ... 232	Polycarbonate w/guard or metal bowl, semi-automatic, w/out pressure: open	0.796	R432001915/R432002035
	1/2 NPT	22	21 ... 232	Polycarbonate w/guard or metal bowl, fully automatic, w/out pressure: open	0.904	R432001916/R432002036
	1/2 NPT	22	0 ... 232	Polycarbonate w/guard or metal bowl, fully automatic, w/out pressure: closed	0.904	R432001917/R432002037

Nominal flow at inlet pressure 91 psi and 1.5 psi drop (P₁ = 6.3 bar, ΔP = 0.1 bar)

Q = qv x f (f = Correction factor for various supply pressures p1)

	p1															
[psi]	14	29	43	58	72	87	101	116	130	145	159	174	188	203	217	232
f	0.25	0.38	0.5	0.65	0.75	0.88	1	1.13	1.25	1.38	1.5	1.63	1.75	1.88	2	2.13

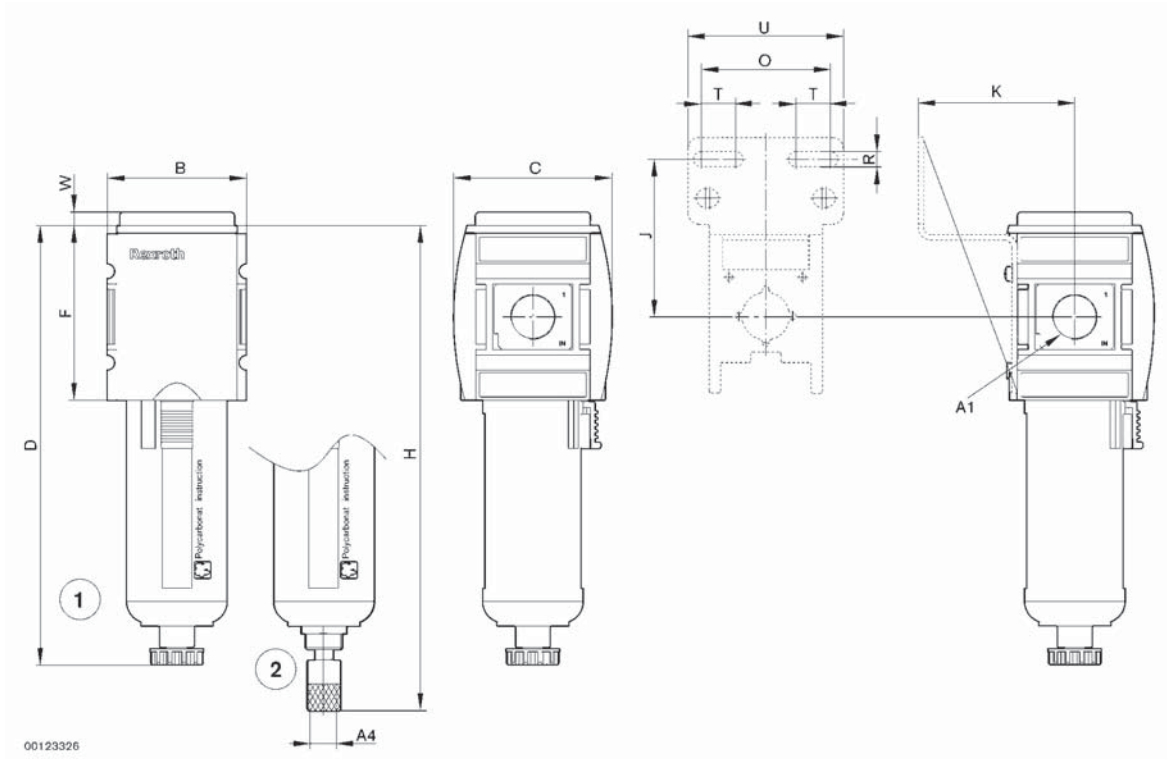
Accessories (to be ordered separately)

	Accessory	Part no.
	Filter element	R961400140
	Mounting plate AS3-MBR-...-W01	R432031072
	Mounting strap AS3-MBR-...-W03	R412007370
	Block assembly kit AS3-MBR-...-W04	R412007371
	Mounting flange kit (3/8 inch) AS3-MBR-N038...-W05	R432002017
	Mounting flange kit (1/2 inch) AS3-MBR-N012...-W05	R432002018

See accessories for pre-filter reservoirs

Compressed air maintenance unit, series AS3-Inch

Pre-filter AS3-FLP, 0.3 micron, 3/8 NPT - 1/2 NPT, ATEX approved



- 1) Semi-automatic condensate drain
- 2) Fully automatic condensate drain

A1	A4	B	C	D	F	H	J	K	O	R	T	U	W
3/8 NPT	G 1/8	2.480	2.913	7.461	3.150	8.110	2.854	2.795	2.362	0.276	0.630	2.835	0.197
1/2 NPT	G 1/8	2.480	2.913	7.461	3.150	8.110	2.854	2.795	2.362	0.276	0.630	2.835	0.197

Dimensions in inches

Compressed air maintenance unit, series AS3-Inch

Coalescing filter AS3-FLC, 0.01 micron, 3/8 NPT - 1/2 NPT, ATEX approved



Technical Data

Type	Micro-filter element replaceable	
Supply pressure	See table	
Temperature range	-10° to +50 °C (14 °F ... 122 °F) *	
Medium	Compressed air	
Weight	see table	
Installation position	vertical	
Materials	Body Thread insert Reservoir Bowl guard Cover Filter element	Polyamide, seals Buna-N(NBR) Die-cast zinc Polycarbonate or die cast zinc, with bayonet catch Polyamide (polycarbonate bowls only) ABS Borsilicate glass fibre
Reservoir capacity	49 cm ³ (1.6 US Fl oz) (semi-automatic)	
Filter porosity	0.01 µm	
ATEX	In zone 1 (gas-ex, category 2G) In zone 21 (dust-ex, category 2D) In zone 2 (gas-ex, category 3G) In zone 22 (dust-ex, category 3D)	
Standard	NFE 49004	



* with dried air

Micro filter for the separation of oil, water and solid impurities of up to 0.01 µm from compressed air and gases

For quality classes according to DIN ISO 8573-1

- Solid impurities: class 1

- Oil content: class 1

The filter element must be replaced after a pressure rise Δp of max. 5 psi or once a year.

Filter is resistant to mineral oils and synthetic oils

Oil separation, residual oil content < 0.01 mg/m³ at t = 20 °C (68 °F) and p1 = 102 psi

Plastic containers may only be cleaned with water, soap suds, and other similar, neutral agents.

Note: All Series AS filter drains include a manual drain function as standard.

Part no.

Symbol	Threaded ports	Nominal flow Qn [CFM]	Supply pressure [psi]	Options	Weight [lbs.]	Part no. (Poly./Metal) (*w/contam. display)
	3/8 NPT	25	7 ... 232	Polycarbonate w/guard or metal bowl, with or w/o contamination display, semi-automatic, w/o pressure: open	0.796	R432001918/R432002041 R432001924*/R432002053*
	3/8 NPT	25	21 ... 232	Polycarbonate w/guard or metal bowl, with or w/o contamination display, fully automatic, w/o pressure: open	0.904	R432001919/R432002042 R432001925*/R432002054*
	3/8 NPT	25	0 ... 232	Polycarbonate w/guard or metal bowl, with or w/o contamination display, fully automatic, w/o pressure: closed	0.904	R432001920/R432002043 R432001926*/R432002055*
	1/2 NPT	25	0 ... 232	Polycarbonate w/guard or metal bowl, with or w/o contamination display, semi-automatic, w/o pressure: open	0.796	R432001921/R432002047 R432001927*/R432002059*
	1/2 NPT	25	21 ... 232	Polycarbonate w/guard or metal bowl, with or w/o contamination display, fully automatic, w/o pressure: open	0.904	R432001922/R432002048 R432001928*/R432002060*
	1/2 NPT	25	0 ... 232	Polycarbonate w/guard or metal bowl, with or w/o contamination display, fully automatic, w/o pressure: closed	0.904	R432001923/R432002049 R432001929*/R432002061*

Nominal flow at inlet pressure 91 psi and 1.5 psi drop (P₁ = 6.3 bar, ΔP = 0.1 bar)

$$Q = qv \times f \quad (f = \text{Correction factor for various supply pressures } p_1)$$


[psi]	p ₁															
	14	29	43	58	72	87	101	116	130	145	159	174	188	203	217	232
f	0.25	0.38	0.5	0.65	0.75	0.88	1	1.13	1.25	1.38	1.5	1.63	1.75	1.88	2	2.13

Compressed air maintenance unit, series AS3-Inch

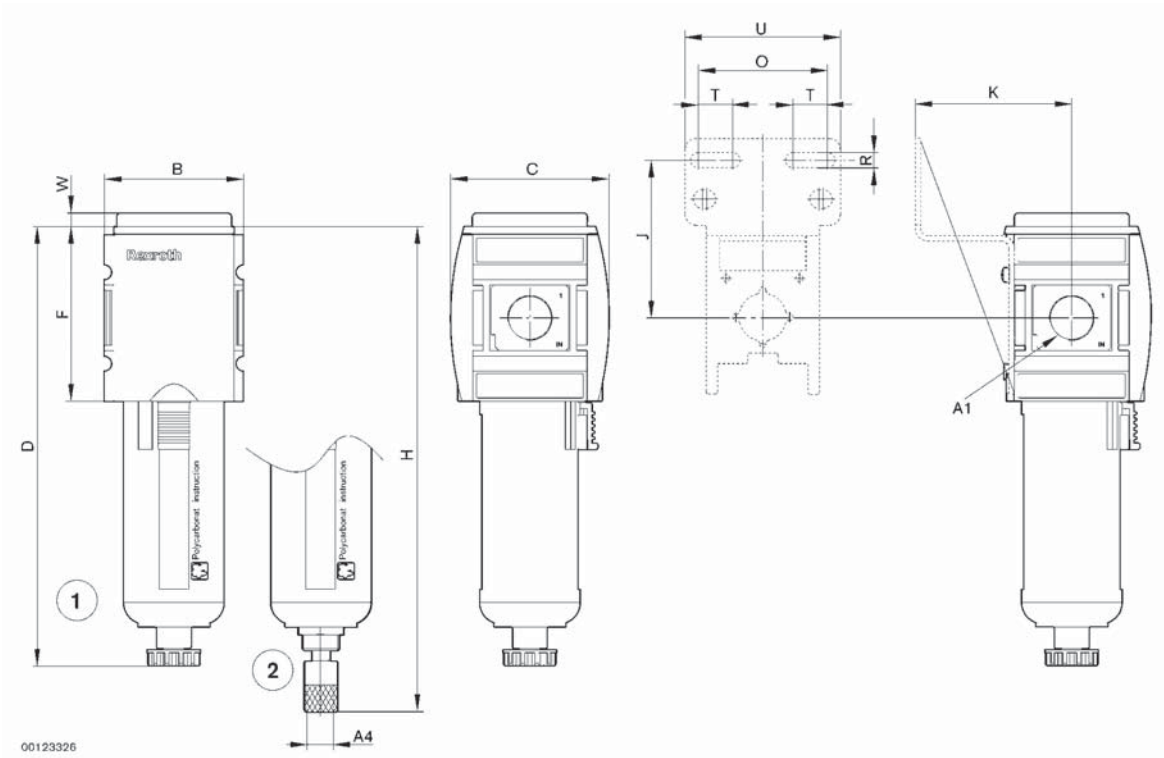
Coalescing filter AS3-FLC, 0.01 micron, 3/8 NPT - 1/2 NPT, ATEX approved



▲ Accessories (to be ordered separately)

	Accessory	Part no.
	Contamination display AS	R412006363
	Filter element	R961400141
	Mounting plate AS3-MBR-...-W01	R432031072
	Mounting strap AS3-MBR-...-W03	R412007370
	Block assembly kit AS3-MBR-...-W04	R412007371
	Mounting flange kit (3/8 inch) AS3-MBR-N038...-W05	R432002017
	Mounting flange kit (1/2 inch) AS3-MBR-N012...-W05	R432002018

See accessories for microfilter reservoirs



A1	A4	B	C	D	F	H	J	K	O	R	T	U	W
3/8 NPT	G 1/8	2.480	2.913	7.461	3.150	8.110	2.854	2.795	2.362	0.276	0.630	2.835	0.197
1/2 NPT	G 1/8	2.480	2.913	7.461	3.150	8.110	2.854	2.795	2.362	0.276	0.630	2.835	0.197

Dimensions in inches

Compressed air maintenance unit, series AS3-Inch

Active carbon filter AS3-FLA, 3/8 NPT - 1/2 NPT, ATEX approved



Technical Data

Type	Filter element replaceable												
Supply pressure	See table												
Temperature range	-10° to +50 °C (14 °F ... 122 °F) *												
Medium	Compressed air												
Weight	See table												
Installation position	vertical												
Materials	<table border="0"> <tr> <td>Body</td> <td>Polyamide, seals Buna-N(NBR)</td> </tr> <tr> <td>Thread insert</td> <td>Die-cast zinc</td> </tr> <tr> <td>Reservoir</td> <td>Polycarbonate or die cast zinc, with bayonet catch</td> </tr> <tr> <td>Bowl guard</td> <td>Polyamide (polycarbonate bowls only)</td> </tr> <tr> <td>Filter element</td> <td>Active carbon</td> </tr> <tr> <td>Cover</td> <td>ABS</td> </tr> </table>	Body	Polyamide, seals Buna-N(NBR)	Thread insert	Die-cast zinc	Reservoir	Polycarbonate or die cast zinc, with bayonet catch	Bowl guard	Polyamide (polycarbonate bowls only)	Filter element	Active carbon	Cover	ABS
Body	Polyamide, seals Buna-N(NBR)												
Thread insert	Die-cast zinc												
Reservoir	Polycarbonate or die cast zinc, with bayonet catch												
Bowl guard	Polyamide (polycarbonate bowls only)												
Filter element	Active carbon												
Cover	ABS												
Reservoir capacity	49 cm ³ (1.6 US Fl oz)												
ATEX	In zone 1 (gas-ex, category 2G) In zone 21 (dust-ex, category 2D) In zone 2 (gas-ex, category 3G) In zone 22 (dust-ex, category 3D)												



* with dried air

Active carbon filter for absorption of oil vapor in compressed air and gases
 For quality classes according to DIN ISO 8573-1

- Solid impurities: class 3
- Humidity - water content: class 8
- Oil content: class 1

Oil separation, residual oil content < 0.005 mg/m³ at t = 20 °C (68 °F) and p1 = 102 psi

A micro filter must be connected upstream as a prefilter

Part no.

Symbol	Threaded ports	Nominal flow Qn [CFM]	Supply pressure [psi]	Weight [lbs.]	Part no. (Poly./Metal)
	3/8 NPT	35	0 ... 232	0.8	R432001930/R432002063
	1/2 NPT	35	0 ... 232	0.8	R432001931/R432002065

Nominal flow at inlet pressure 91 psi and 1.5 psi drop (P₁ = 6.3 bar, ΔP = 0.1 bar)

$$Q = qv \times f \quad (f = \text{Correction factor for various supply pressures } p_1)$$

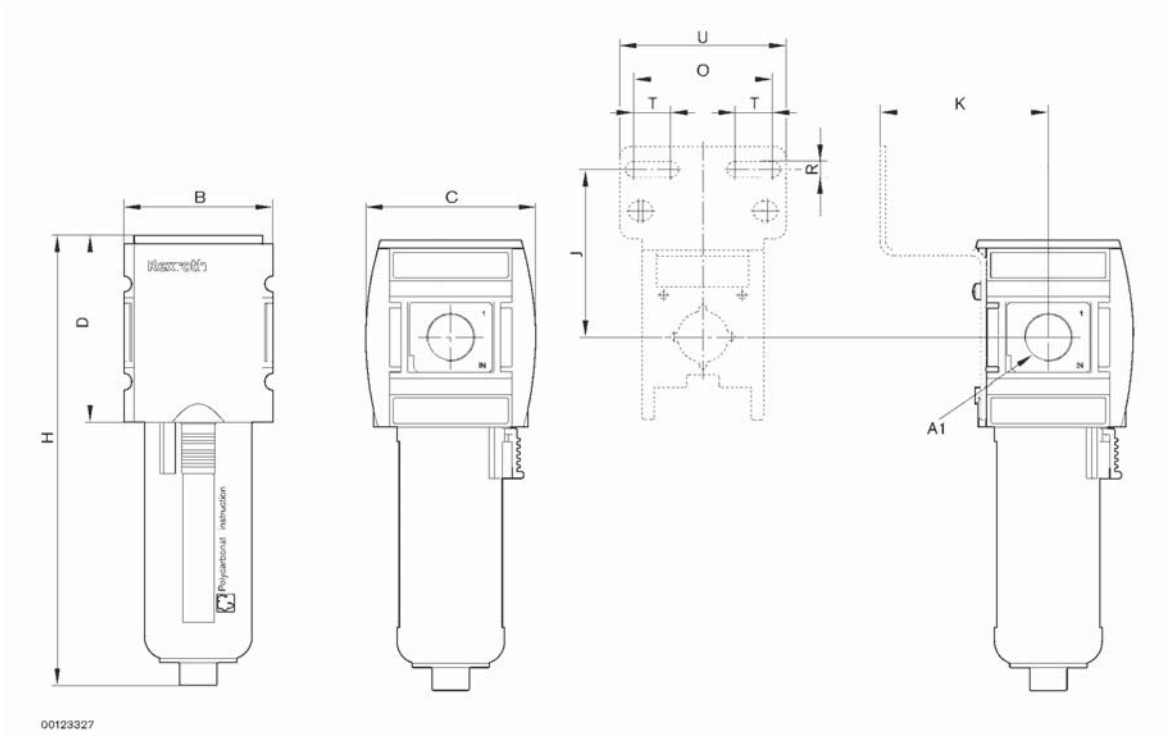
[psi]	p ₁															
	14	29	43	58	72	87	101	106	130	145	159	174	188	203	217	232
f	0.25	0.38	0.5	0.65	0.75	0.88	1	1.13	1.25	1.38	1.5	1.63	1.75	1.88	2	2.13

Accessories (to be ordered separately)

Accessory	Part no.	
	Active carbon filter reservoir AS3-CLA, metal (no glass)	R412007349
	Active carbon filter reservoir AS3-CLA (polycarbonate)	R412007347
	Active carbon filter element	R961400143
	Mounting plate AS3-MBR-...-W01	R432031072
	Mounting strap AS3-MBR-...-W03	R412007370
	Block assembly kit AS3-MBR-...-W04	R412007371
	Mounting flange kit (3/8 inch) AS3-MBR-N038...-W05	R432002017
Mounting flange kit (1/2 inch) AS3-MBR-N012...-W05	R432002018	

Compressed air maintenance unit, series AS3-Inch

Active carbon filter AS3-FLA, 3/8 NPT - 1/2 NPT, ATEX approved



A1	B	C	D	H	J	K	O	R	T	U
3/8 NPT	2.480	2.913	3.150	7.205	2.854	2.795	2.362	0.276	0.630	2.835
1/2 NPT	2.480	2.913	3.150	7.205	2.854	2.795	2.362	0.276	0.630	2.835

Dimensions in inches

Compressed air maintenance unit, series AS3-Inch

Lubricator, oil-drop AS3-LBS, with semi-automatic oil filling, 3/8 NPT - 1/2 NPT, ATEX approved



Technical Data

Type	Inspection glass with slotted screw for oil metering Can be filled with oil during operation	
Supply pressure	See table	
Temperature range	-10° to +50 °C (14 °F ... 122 °F) *	
Medium	Compressed air	
Weight	See table	
Installation position	vertical	
Materials	Body Thread insert Reservoir Bowl guard Seal	Polyamide, seals Buna-N(NBR) Die-cast zinc Polycarbonate or die cast zinc, with bayonet catch Polyamide (polycarbonate bowls only) ABS
Reservoir capacity	80 cm ³ (2.7 US Fl oz)	
ATEX	In zone 1 (gas-ex, category 2G) In zone 21 (dust-ex, category 2D) In zone 2 (gas-ex, category 3G) In zone 22 (dust-ex, category 3D)	



* with dried air

Oil type: HL 68 (DIN 51 524 - ISO VG 68)

Standard values for oil metering: 1-2 drops / min at a nominal flow rate of $Q_n = 35.30$ CFM

Plastic containers may only be cleaned with water, soap suds, and other similar, neutral agents.

The unit is equipped with a semi-automatic oil filling mechanism (standard). A threaded connector located in the lower section of the container can be used to connect a hose to the oil tank.

Pressing the top button opens a Venturi nozzle that provides a vacuum in the upper section of the container. This draws the oil into the container.

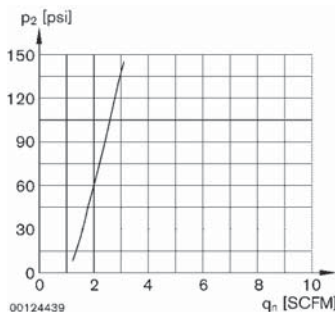
Part no.

Symbol	Threaded ports	Nominal flow Q_n [CFM]	Supply pressure [psi]	Options	Weight [lbs.]	Part no. (Poly./Metal)
	3/8 NPT	282	7 ... 232	Polycarbonate w/guard or metal bowl **Ready for level sensor (non ATEX)	0.756	R432002000 / R432002147 R432002001 / R432002148
	1/2 NPT	282	7 ... 232	Polycarbonate w/guard or metal bowl **Ready for level sensor (non ATEX)	0.756	R432002002 / R432002152 R432002149 / R432002153

Nominal flow at inlet pressure 91 psi and 15 psi drop ($P_1 = 6.3$ bar, $\Delta P = 1$ bar)

Accessories (to be ordered separately)	Accessory	Part no.
	Lubricator reservoir AS3-CBS, metal (w/sight glass)	R412007358
	Lubricator reservoir AS3-CBS (polymer) Lubricator metering set, polycarbonate	R412007352 R961400032
	Mounting plate AS3-MBR-...-W01	R432031072
	Mounting strap AS3-MBR-...-W03	R412007370
	Block assembly kit AS3-MBR-...-W04	R412007371
	Mounting flange kit (3/8 inch) AS3-MBR-N038...-W05	R432002017
	Mounting flange kit (1/2 inch) AS3-MBR-N012...-W05	R432002018
** For low oil level sensor options, see Accessories Section		

Lubrication activation margin



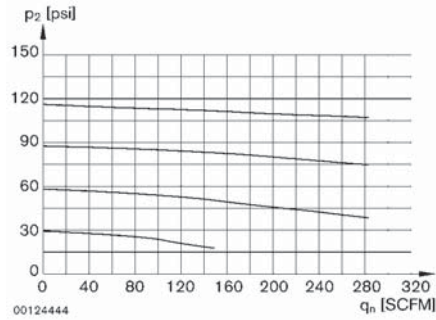
p_2 = Secondary pressure; $q_{n, \min}$ = Min. nominal flow

Compressed air maintenance unit, series AS3-Inch

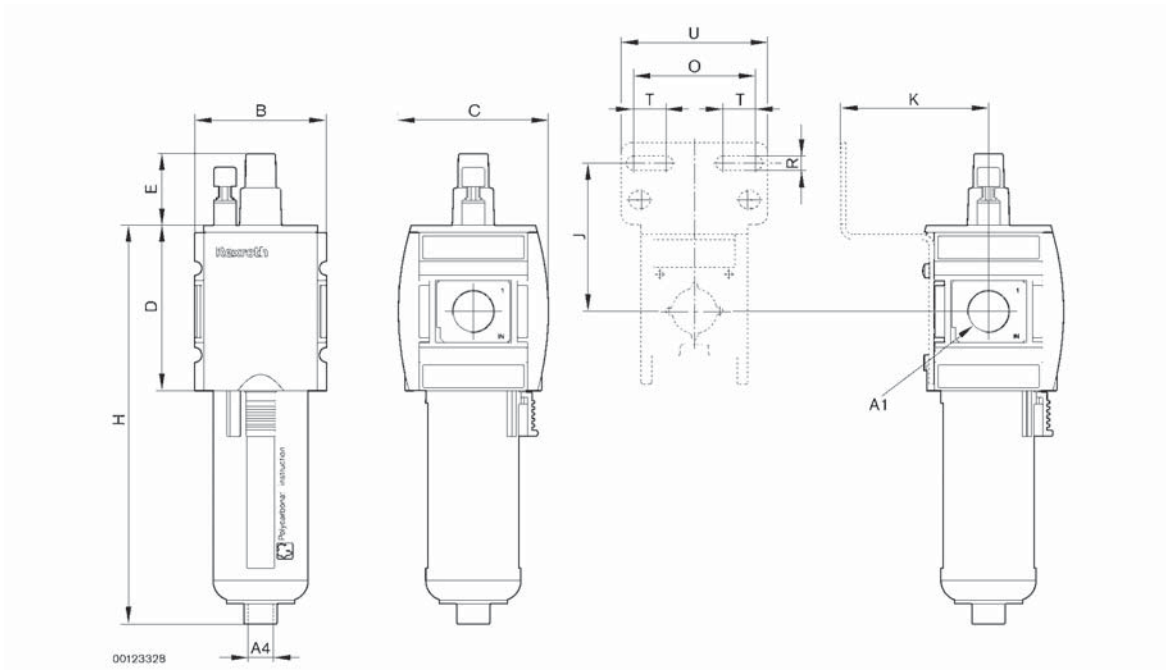
Lubricator, oil-drop AS3-LBS, with semi-automatic oil filling, 3/8 NPT - 1/2 NPT, ATEX approved



Flow rate characteristic



p_1 = Supply pressure; p_2 = Secondary pressure; q_n = Nominal flow



A1	A4	B	C	D	E	H	J	K	O	R	T	U
3/8 NPT	G 1/8	2.480	2.913	3.150	1.024	7.205	2.854	2.795	2.362	0.276	0.630	2.835
1/2 NPT	G 1/8	2.480	2.913	3.150	1.024	7.205	2.854	2.795	2.362	0.276	0.630	2.835

Dimensions in inches

Compressed air maintenance unit, series AS3-Inch

3/2 directional-control dump valve AS3-SOV, electrically operated,
3/8 NPT - 1/2 NPT



Technical Data

Type	Poppet valve
Working pressure	36 - 145 psi
Nominal flow qn	see table
Secondary pressure	91 psi and $\Delta p = 15$ psi
Ambient temperature	-10 °C to +50 °C (14 °F to +122 °F) *
Medium	Compressed air
Weight	see table
Pickup power with AC 50 Hz	2.2 VA
Holding power with AC 50 Hz	1.6 VA
Power consumption with DC	2 W
Relative switch-on duration	100 %
Protection class (DIN 40 050) with electrical connector	IP 65 (NEMA4)
Installation position:	any
Materials (body)	Polyamide, seals Buna-N(NBR)
Thread bushing	Die-cast zinc
Cover	ABS



* with dried air

Version:

Cut-off and sequencing valve with unrestricted cross-section.
Two switch positions: a) Basic position: input closed, output ventilated; b) Operated: input and output connected, exhaust closed.
Connection via electrical connector shape C, DIN 43 650 (see Online catalog, series CN1).
Please observe note regarding compressed air preparation!

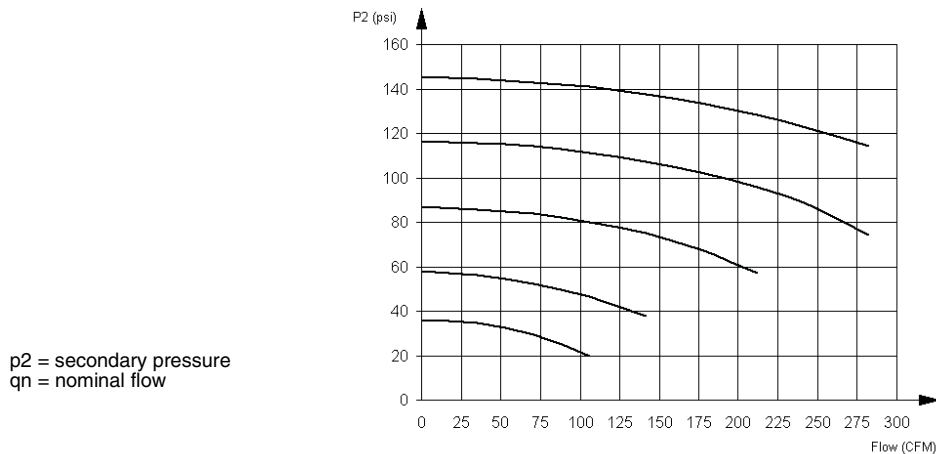
	Thread connection NPT	Operational voltage	Qn CFM	Operating pressure [psi]	Weight [lbs]	Notes	Part No. (Air flow direction)	
							Standard	(right to left)
	3/8"	-	-	-	-	1	R432002179	R432031480
	3/8"	-	-	-	-	2	R432002173	R432031479
	3/8"	24VDC ±10%	159	36 ... 145	1.01	-	R432002180	R432031475
	3/8"	110VAC 50/60Hz	-	-	-	-	R432002181	R432031476
	3/8"	230VAC 50/60Hz	-	-	-	-	R432002182	R432031477
	1/2"	-	-	-	-	1	R432002183	R432031474
	1/2"	-	-	-	-	2	R432002174	R432031473
	1/2"	24VDC ±10%	159	36 ... 145	1.01	-	R432002184	R432031469
	1/2"	110VAC 50/60Hz	-	-	-	-	R432002185	R432031470
	1/2"	230VAC 50/60Hz	-	-	-	-	R432002186	R432031471

1) without DO16 pilot valve

2) with CNOMO interface, without pilot valve

Silencer, sintered bronze (conical) R432031045

Flow rate characteristic



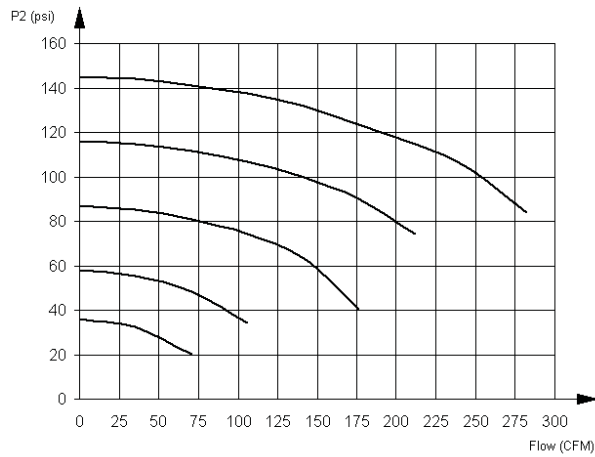
Compressed air maintenance unit, series AS3-Inch

3/2 directional-control dump valve AS3-SOV, electrically operated,
3/8 NPT - 1/2 NPT

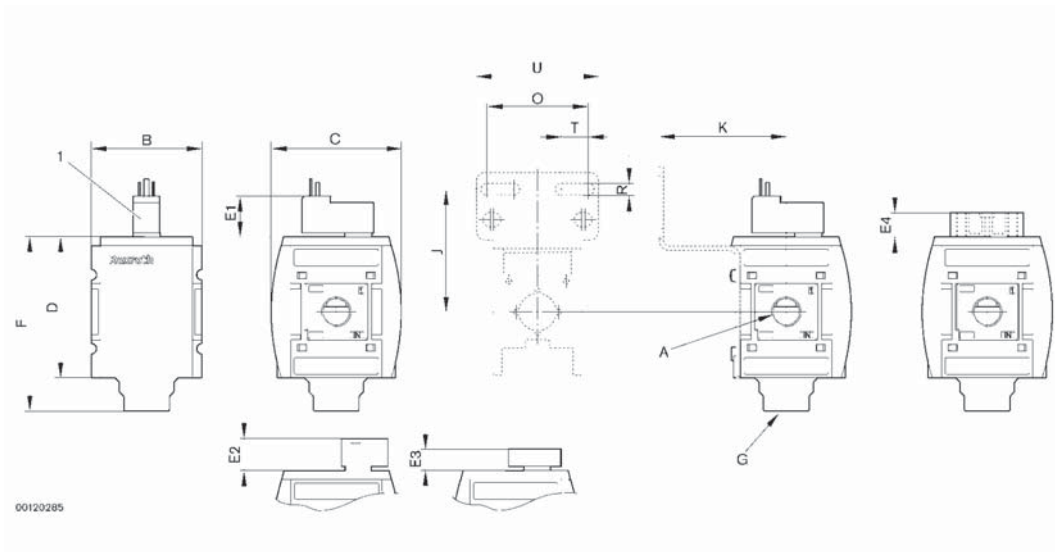


Rear exhaust

p2 = secondary pressure
qn = nominal flow



Drawing



(mounting bracket not included, order separately)

A	G	B	C	D	E1	E2	E3	E4	F	J	K	O	R	T	U
3/8" NPT	3/8" NPT	2.480	2.913	3.150	0.913	0.728	0.484	0.394	3.898	2.854	2.598	2.362	0.276	0.630	2.835
1/2" NPT	3/8" NPT	2.480	2.913	3.150	0.913	0.728	0.484	0.394	3.898	2.854	2.598	2.362	0.276	0.630	2.835

Dimensions in inches

Compressed air maintenance unit, series AS3-Inch

3/2 directional-control dump valve AS3-SOV, pneumatically operated,
3/8 NPT - 1/2 NPT, ATEX approved



Technical Data

Type	Poppet valve
Working pressure	36 - 145 psi
Nominal flow qn	see table
Secondary pressure	91 psi and $\Delta p = 15$ psi
Ambient temperature	-10 °C to +50 °C (14 °F to +122 °F) *
Medium	Compressed air
Weight	see table
Installation position	any

Materials (body)	Polyamide, seals Buna-N(NBR)
Thread bushing	Die-cast zinc
Cover	ABS

ATEX:	In zone 1 (gas-ex, category 2G) In zone 21 (dust-ex, category 2D) In zone 2 (gas-ex, category 3G) In zone 22 (dust-ex, category 3D)
-------	--



* with dried air

Version:

Cut-off and sequencing valve with unrestricted cross-section.

Two switch positions: a) Basic position: input closed, output ventilated; b) Operated: input and output connected, exhaust closed.

Please observe note regarding compressed air preparation!

Part no.

Symbol	Threaded ports	Nominal flow qn [CFM]	With options	Weight [lbs]	Part no.
	3/8 NPT	159	Change-over valve / shut-off valve pneumatically operated	1.01	R432002177 R432031478*
	1/2 NPT	159	Change-over valve / shut-off valve pneumatically operated	1.01	R432002178 R432031472*

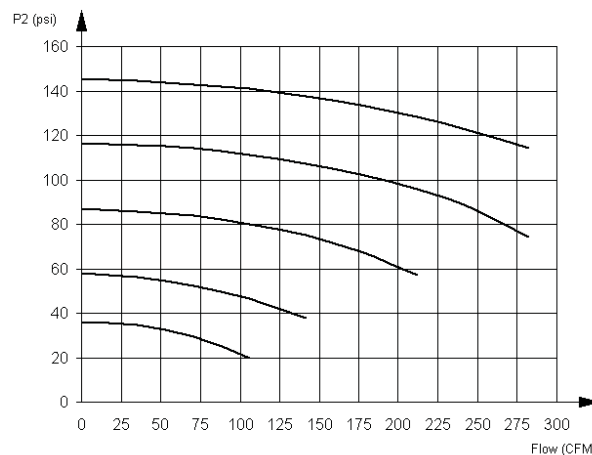
*Version for air flow from right to left.

Accessories (to be ordered separately)

	Accessory	Part no.
	Silencer: sintered bronze (conical)	R432031045
	Mounting strap AS3-MBR-...-W03	R412007370
	Mounting plate AS3-MBR-...-W01	R432031072
	Block assembly kit AS3-MBR-...-W04	R412007371

Flow rate characteristic

p2 = secondary pressure
qn = nominal flow



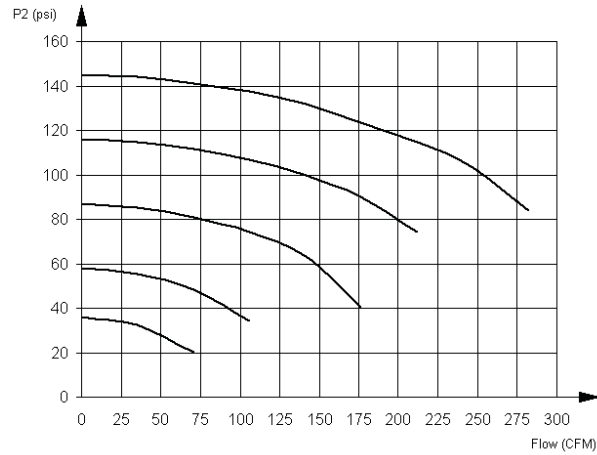
Compressed air maintenance unit, series AS3-Inch

3/2 directional-control dump valve AS3-SOV, pneumatically operated,
3/8 NPT - 1/2 NPT, ATEX approved

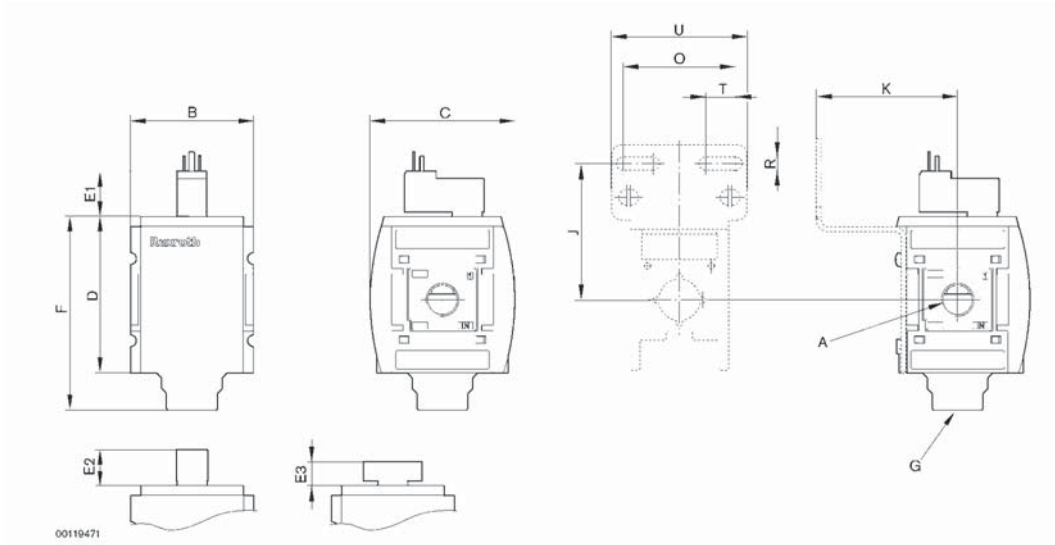


Rear exhaust

p2 = secondary pressure
qn = nominal flow



Drawing



(mounting bracket not included, order separately)

A	G	B	C	D	E1	E2	E3	F	J	K	O	R	T	U
3/8" NPT	3/8" NPT	2.480	2.913	3.150	0.913	0.728	0.484	3.898	2.854	2.598	2.362	0.276	0.630	2.835
1/2" NPT	3/8" NPT	2.480	2.913	3.150	0.913	0.728	0.484	3.898	2.854	2.598	2.362	0.276	0.630	2.835

Dimensions in inches

Compressed air maintenance unit, series AS3-Inch

3/2-way shut-off valve (ball valve) AS3-BAV, mechanically operated, lockable,
3/8 NPT - 1/2 NPT, ATEX approved



Technical Data

Type	3/2 directional-control valve, operated by a knob, 3-fold lockable See table	
Nominal flow q _n	See table	
Secondary pressure = 91 psi and Δp = 15 psi		
Ambient temperature	-10 °C to +50 °C (14 °F to +122 °F) *	
Medium	Compressed air	
Weight	See table	
Installation position	any	

Materials	Body	Polyamide, seals Buna-N(NBR)
	Thread bushing	Die-cast zinc
	Cover	ABS
	Lockable slide plate	Zinc plated steel

ATEX:	In zone 1 (gas-ex, category 2G)
	In zone 21 (dust-ex, category 2D)
	In zone 2 (gas-ex, category 3G)
	In zone 22 (dust-ex, category 3D)

* with dried air

Knob, can be turned 90° (Open-Closed) and can be locked in the closed position with a padlock
Knob with switch position display: clockwise: inlet closed, outlet to exhaust; lengthways: inlet and outlet connected, air exhaust closed

Exhaust air can be collected (G1/2)

Air exhaust from connection A to R: nominal size 1.5 (internally throttled)



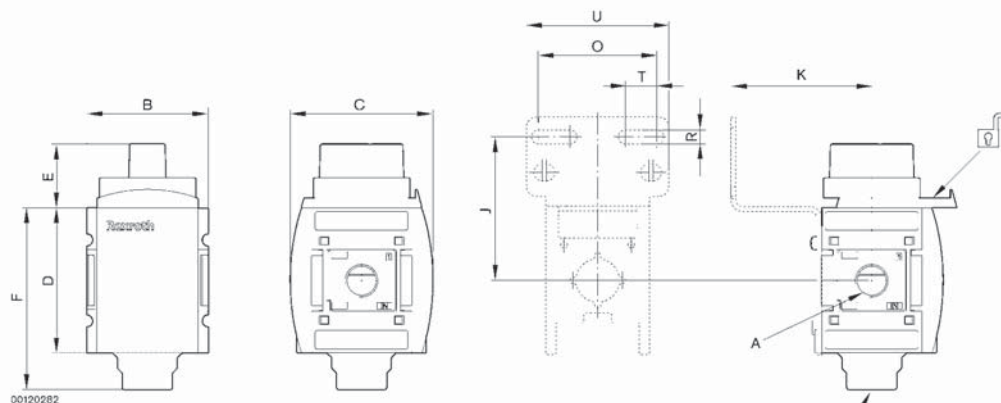
Part no.

Symbol	Threaded ports	Nominal flow q _n [CFM]	Weight [lbs]	Part no.
	3/8 NPT	159	0.983	R432002175 R432031468*
	1/2 NPT	159	0.983	R432002176 R432030552*

*Version for air flow from right to left.

Accessories (to be ordered separately)

Accessories		Part no.
	Silencer, sintered bronze (conical)	R432031045
	Mounting plate AS2-MBR-...-W01	R432031072
	Block assembly kit AS2-MBR-...-W04	R412007371
	Mounting strap AS2-MBR-...-W03	R412007370



A	G	B	C	D	E	F	J	K	O	R	T	U
3/8" NPT	3/8" NPT	2.480	2.913	3.150	1.102	3.898	2.854	2.598	2.362	0.276	0.630	2.835
1/2" NPT	3/8" NPT	2.480	2.913	3.150	1.102	3.898	2.854	2.598	2.362	0.276	0.630	2.835

Dimensions in inches

Compressed air maintenance unit, series AS3-Inch

Filling valve (soft start) AS3-SSV, 3/8 NPT - 1/2 NPT, ATEX approved



Technical Data

Type	Poppet valve
Operating pressure	36 ... 232 psi
Nominal flow qn	see table
Secondary pressure	91 psi and $\Delta p = 15$ psi
Ambient temperature	-10 °C to +50 °C (14 °F to +122 °F) *
Medium	Compressed air
Weight	see table
Installation position	any

Materials (body)	Polamide, seals Buna-N(NBR)
Threaded bushing	Die-cast zinc

Cover	ABS
-------	-----

ATEX:	In zone 1 (gas-ex, category 2G) In zone 21 (dust-ex, category 2D) In zone 2 (gas-ex, category 3G) In zone 22 (dust-ex, category 3D)
-------	--

* with dried air

Version:

Opening pressure: approx. 50% of input pressure
Actuating method: via secondary pressure
Only for closed systems
Please observe note regarding compressed air preparation!

Slowly builds up the pressure in pneumatic installations, i.e. prevents sudden pressure build-up after a restart following mains pressure failure or EMERGENCY OFF, thus preventing dangerous, sudden cylinder movements.



Part no.

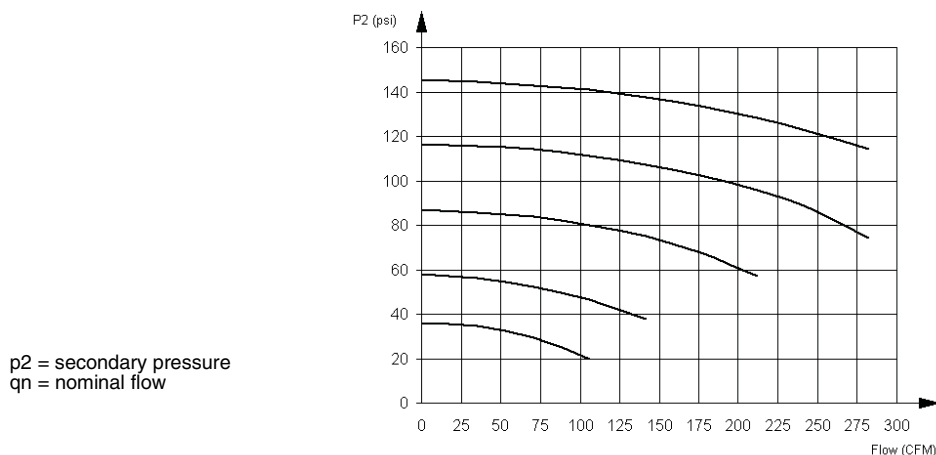
Symbol	Threaded ports	Nominal flow qn [CFM]	With options	Weight [lbs]	Part no.
	3/8 NPT	159	Filling adjustable	0.95	R432002187 R432031481*
	1/2 NPT	159	Filling adjustable	0.95	R432002188 R432003281*

*Version for air flow from right to left.

Accessories (to be ordered separately)

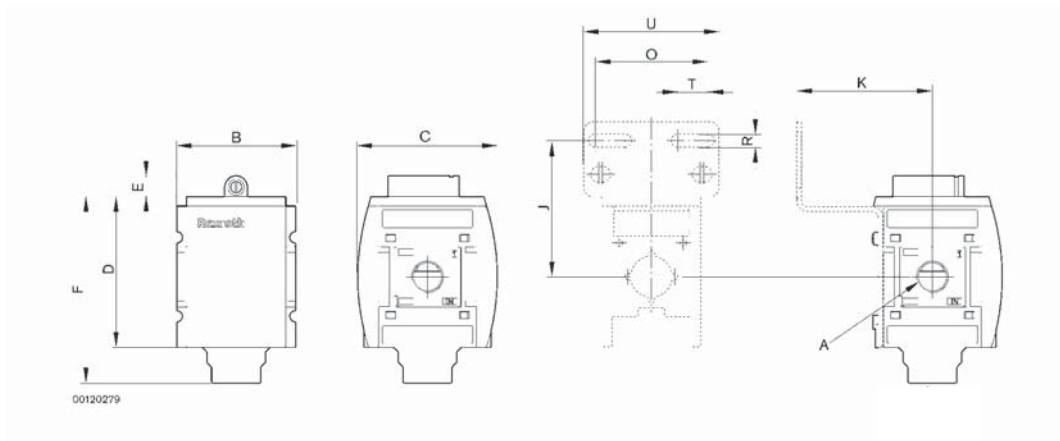
	Accessory	Part no.
	Mounting plate AS3-MBR-...-W01	R432031072
	Mounting strap AS3-MBR-...-W03	R412007370
	Block assembly kit AS3-MBR-...-W04	R412007371

Flow rate characteristic



Compressed air maintenance unit, series AS3-Inch

Filling valve (soft start) AS3-SSV, 3/8 NPT - 1/2 NPT, ATEX approved



(mounting bracket not included, order separately)

A	B	C	D	E	F	J	K	O	R	T	U
3/8" NPT	2.480	2.913	3.150	0.433	3.898	2.854	2.598	2.362	0.276	0.630	2.835
1/2" NPT	2.480	2.913	3.150	0.433	3.898	2.854	2.598	2.362	0.276	0.630	2.835

Dimensions in inches.

Compressed air maintenance unit, series AS3-Inch

Distributor block AS3-DIS, 4-way, 3/8 NPT - 1/2 NPT, ATEX approved



Technical Data

Nominal flow Qn	See table	
Operating pressure	0 ... 232 psi	
$\Delta p = 15$ psi		
Ambient temperature range	-10 °C to + 50 °C [14 °F ... 122 °F] *	
Medium	Compressed air	
Weight	See table	
Installation position	any	
Materials	Body Threaded insert Cover	Polyamide, seals Buna-N(NBR) Zn-die cast ABS
ATEX	In zone 1 (gas-ex, category 2G) In zone 21 (dust-ex, category 2D) In zone 2 (gas-ex, category 3G) In zone 22 (dust-ex, category 3D)	



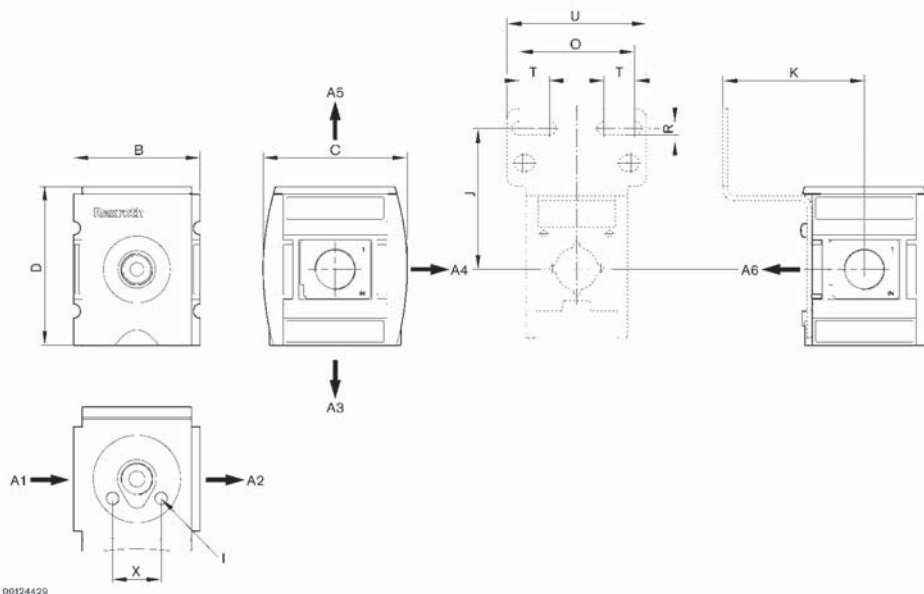
Suitable for flange assembly of a mechanical vacuum/pressure switch

Part no.

Symbol	Threaded ports	Nominal flow Qn [CFM]	Weight [lbs.]	Part no.
	3/8 NPT	256 (A1-A2) 194 (A1-A3) 79 (A1-A4) 79 (A1-A5) 79 (A1-A6)	0.705	R432002003
	1/2 NPT	256 (A1-A2) 194 (A1-A3) 79 (A1-A4) 79 (A1-A5) 79 (A1-A6)	0.705	R432002004

Accessories (to be ordered separately)

Accessory	Part no.
Mechanical pressure switch, pabs = -13 ... 0 psi	0821100020
Mechanical pressure switch, p1 = 2 ... 43 psi	0821100021
Mechanical pressure switch, p1 = 15 ... 232 psi	0821100023
Mounting plate AS3-MBR-...-W01	R432031072
Mounting strap AS3-MBR-...-W03	R412007370
Block assembly kit AS3-MBR-...-W04	R412007371
Mounting flange kit (3/8 inch) AS3-MBR-N038...-W05	R432002017
Mounting flange kit (1/2 inch) AS3-MBR-N012...-W05	R432002018
Spare seal for pressure switch	R961400021



A1 A2	A3	A4 A6	A5	B	C	D	I	J	K	O	R	T	U	X
3/8 NPT	1/2 NPT	3/8 NPT	1/4 NPT	2.480	2.913	3.169	M5(10-32)	2.854	2.795	2.362	0.276	0.630	2.835	0.787
1/2 NPT	1/2 NPT	3/8 NPT	1/4 NPT	2.480	2.913	3.169	M5(10-32)	2.854	2.795	2.362	0.276	0.630	2.835	0.787

Dimensions in inches

Compressed air maintenance unit, series AS5-Inch

AS5 Inch (3/4" and 1" NPT) version index



	Page
AS5-ACD Combination FR+L maintenance unit, NPT	71
AS5-ACT Combination F+R+L maintenance unit, NPT	73
AS5-RGS Pressure regulator, NPT	75
AS5-FRE Filter regulator, NPT	77
AS5-FLS Standard filter (5 or 40 micron), NPT	80
AS5-FLP Pre-filter (0.3 micron), NPT	82
AS5-FLC Coalescing filter (0.01 micron), NPT	84
AS5-FLA Active carbon filter, NPT	86
AS5-LBS Lubricator, NPT	88
AS5-SOV 3/2 Dump valve, electrically operated, NPT	90
AS5-SOV 3/2 Dump valve, pneumatically operated, NPT	92
AS5-BAV Manual shut-off valve, lockable option, NPT	94
AS5-SSV Filling valve (soft start), NPT	95
AS5-DIS Distributor block, NPT	96
Accessories index	194
AS5 Mounting brackets and other accessories	213
Replacement filter elements/Regulator repair kits.....	223
Pressure gauges	225

Compressed air maintenance unit, series AS5-Inch

FR+L Maintenance unit AS5-ACD, 2-in-1 with gauge, 5 micron, 3/4" - 1" NPT



00119785

Regulator version	Diaphragm-type pressure regulator relieving*
	lockable regulator knob
Filter version	Particle filter
	Filter insert replaceable
Filter porosity / size	5 μ m
Filter reservoir volume	87 cm ³ [2.94 fl.oz.]
Lubricator version	Semi-automatic oil filling during operation
Oil type	HL 68 (DIN 51 524 - ISO VG 68)
Lubricator reservoir volume	181 cm ³ [6.12 fl.oz.]
Installation orientation	vertical
Ambient temperature min./max.	-10 °C / +50 °C [14 °F / 122 °F]
Medium	compressed air to ISO 8573-1:2001
Materials:	
Cover	Acrylonitrile Butadiene Styrene (ABS)
Filter insert	Polyethylene
Housing	Polyamide
Threaded bushing	Die-cast zinc

	Thread connection NPT	Qn CFM	Operating pressure [psi]	Adjust. range [psi]	Condensate drain	Part No. (Reservoir material)	
						Polycarbonate	Metal
	3/4"	434	0 ... 232	7 ... 116	fully automatic, closed w/o pressure	R432002700	R432003079
	1"		0 ... 232		fully automatic, closed w/o pressure	R432002706	R432003082
	3/4"		22 ... 232		fully automatic, open w/o pressure	R432002701	R432003078
	1"		22 ... 232		fully automatic, open w/o pressure	R432002707	R432003081
	3/4"		7 ... 116		semi-automatic, opened w/o pressure	R432002702	R432003077
	1"		7 ... 116		semi-automatic, opened w/o pressure	R432002708	R432003080
Part No.		Reservoir	Protective guard	Weight [lbs]	Ambient temperature min./max.		
Polycarb.	Metal						
R432002700	R432003079	Polycarbonate/ Die cast zinc	Polyamide/ None	4.14/6.52	14°F / 122°F		
R432002706	R432003082			4.14/6.52			
R432002701	R432003078			4.14/6.52			
R432002707	R432003081			4.14/6.52			
R432002702	R432003077			4.03/6.40			
R432002708	R432003080			4.03/6.40			

Nominal flow Qn at 6.3 bar [91 psi] and $\Delta p = 1$ bar [15 psi]

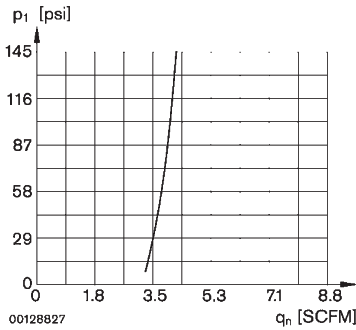
* For AS5 regulators only, improved regulation is achieved by the use of an internal precision regulator. The piloting regulator consumes a maximum of 1.5 l/min at an inlet pressure of 87 psi (6 bar).

Compressed air maintenance unit, series AS5-Inch

FR+L Maintenance unit AS5-ACD, 2-in-1 with gauge, 5 micron, 3/4" - 1" NPT

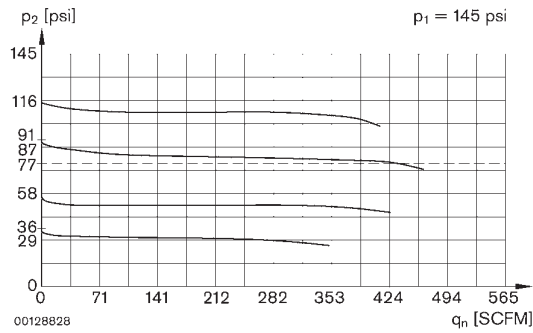


Lubricator activation margin



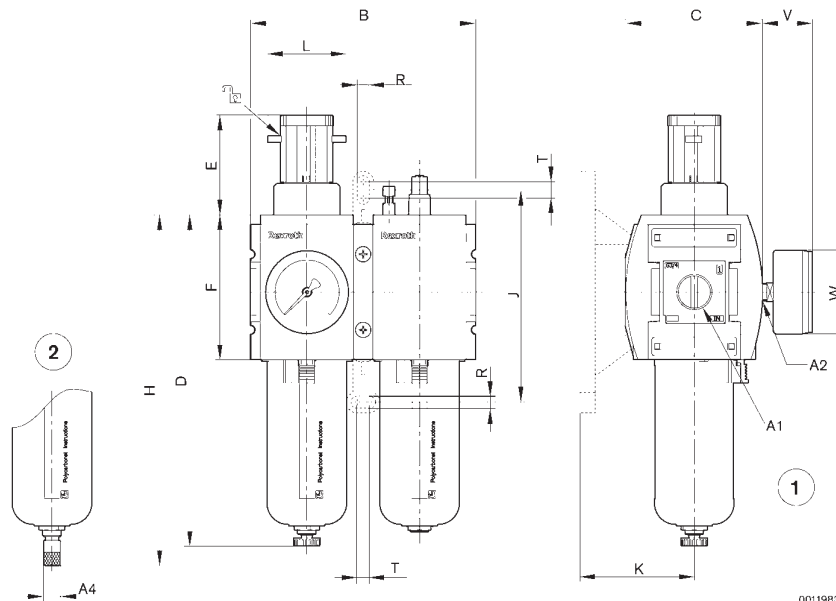
p_1 = operating pressure; q_n = nominal flow

Flow rate characteristic (setting range p_2 : 0.5 - 8 bar [7 ... 116 psi])



p_2 = secondary pressure; q_n = nominal flow

Dimensioned drawing



- 1) semi-automatic condensate drain
- 2) fully automatic condensate drain

A1	A2	A4	B	C	D	E	F	H	J	K	L	R	T	V	W
3/4 NPT	1/4 NPT	G 1/8	6.693	4.055	9.843	2.953	4.291	10.472	5.512	3.406	2.325	0.335	0.394	1.497	2.48
1 NPT	1/4 NPT	G 1/8	6.693	4.055	9.843	2.953	4.291	10.472	5.512	3.406	2.325	0.335	0.394	1.497	2.48

Compressed air maintenance unit, series AS5-Inch

F+R+L Maintenance unit AS5-ACT, 3-in-1 with gauge, 5 micron, 3/4" - 1" NPT



00119786

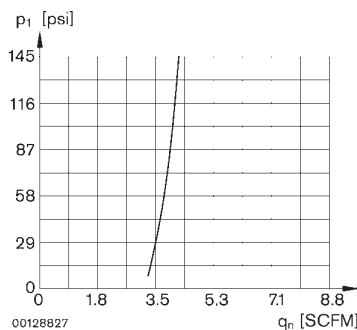
Regulator version	Diaphragm-type pressure regulator relieving* lockable regulator knob
Filter version	Particle filter Filter insert replaceable
Filter porosity / size	5 μ m
Filter reservoir volume	87 cm ³ [2.94 fl.oz.]
Lubricator version	Semi-automatic oil filling during operation
Oil type	HL 68 (DIN 51 524 - ISO VG 68)
Lubricator reservoir volume	181 cm ³ [6.12 fl.oz.]
Installation orientation	vertical
Ambient temperature min./max.	-10°C / +50°C [14 °F / 122 °F]
Medium	compressed air to ISO 8573-1:2001
Materials:	
Cover	Acrylonitrile Butadiene Styrene (ABS)
Filter insert	Polyethylene
Housing	Polyamide
Threaded bushing	Die-cast zinc

	Thread connection NPT	Qn CFM	Operating pressure [psi]	Adjust. range [psi]	Condensate drain	Part No. (Reservoir material)	
						Polycarbonate	Metal
	3/4"	434	0 ... 232	7 ... 116	fully automatic, closed w/o pressure	R432002712	R432003085
	1"		0 ... 232		fully automatic, closed w/o pressure	R432002718	R432003088
	3/4"		22 ... 232		fully automatic, open w/o pressure	R432002713	R432003084
	1"		22 ... 232		fully automatic, open w/o pressure	R432002719	R432003087
	3/4"		7 ... 116		semi-automatic, opened w/o pressure	R432002714	R432003083
	1"		7 ... 116		semi-automatic, opened w/o pressure	R432002720	R432003086
Part No.		Reservoir	Protective guard	Weight [lbs]	Ambient temperature min./max.		
Polycarb.	Metal				Polycarbonate/ Die cast zinc	Polyamide/ None	14°/122°F
R432002712	R432003085	Polycarbonate/ Die cast zinc	Polyamide/ None	5.91/8.28	14°/122°F		
R432002718	R432003088			5.91/8.28			
R432002713	R432003084			5.91/8.28			
R432002719	R432003087			5.91/8.28			
R432002714	R432003083			5.80/8.17			
R432002720	R432003086			5.80/8.17			

Nominal flow Qn at 6.3 bar [91 psi] and $\Delta p = 1$ bar [15 psi]

* For AS5 regulators only, improved regulation is achieved by the use of an internal precision regulator. The piloting regulator consumes a maximum of 1.5 l/min at an inlet pressure of 87 psi (6 bar).

Lubricator activation margin



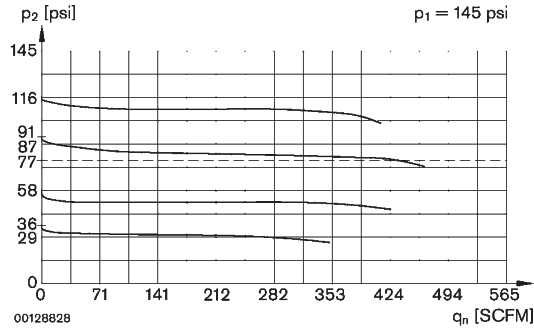
p1 = operating pressure; qn = nominal flow

Compressed air maintenance unit, series AS5-Inch

F+R+L Maintenance unit AS5-ACT, 3-in-1 with gauge, 5 micron, 3/4" - 1" NPT

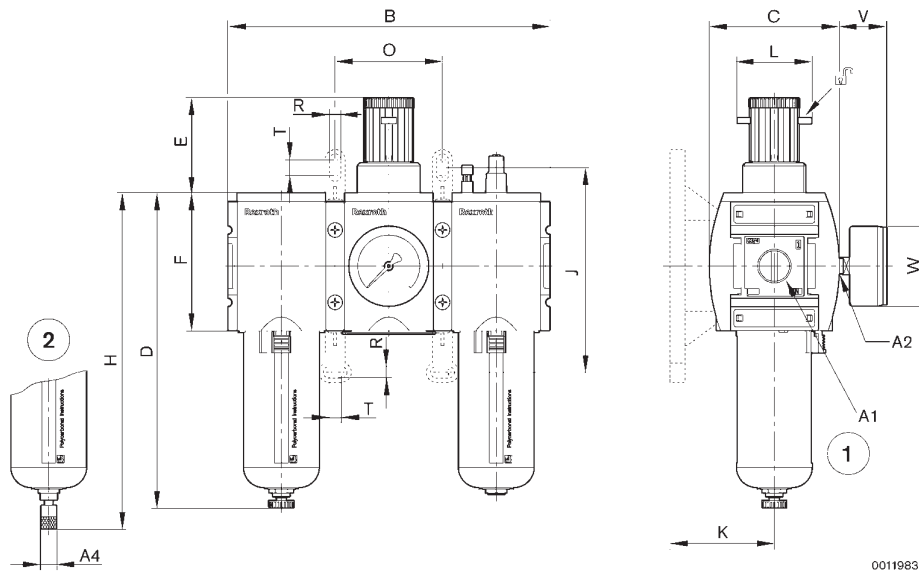


Flow rate characteristic (setting range p2: 0.5 - 8 bar [7 ... 116 psi])



p1 = working pressure; p2 = secondary pressure; qn = nominal flow

Dimensioned drawing



- 1) semi-automatic condensate drain
- 2) fully automatic condensate drain

A1	A2	A4	B	C	D	E	F	H	J	K	L	O	R	T
3/4 NPT	1/4 NPT	G 1/8	10.039	4.055	9.843	2.953	4.291	10.472	5.512	3.406	2.325	3.346	0.335	0.394
1 NPT	1/4 NPT	G 1/8	10.039	4.055	9.843	2.953	4.291	10.472	5.512	3.406	2.325	3.346	0.335	0.394
A1	V	W												
3/4 NPT	1.497	2.48												
1 NPT	1.497	2.48												

Compressed air maintenance unit, series AS5-Inch

Pressure regulator AS5-RGS, with or without gauge, 3/4" - 1" NPT



00119787

Version	Diaphragm-type pressure regulator relieving* lockable regulator knob
Installation orientation	any
Working pressure min./max.	- / 16 bar [- / 232 psi]
Ambient temperature min./max.	-10°C / +50°C [14 / 122 °F]
Medium	compressed air to ISO 8573-1: 2001 dry air class 6-4-3
Materials:	
Housing	Polyamide
Threaded bushing	Diecast zinc
Cover	Acrylonitrile Butadiene Styrene (ABS)

	Port	Qn [CFM]	Adjustment range [psi]	Pressure gauge	Weight [lbs]	Part No.
	3/4 NPT	511	1 ... 1	with gauge	2.198	R432002861
	3/4 NPT		1 ... 29			R432002862
	3/4 NPT		3 ... 58			R432002863
	3/4 NPT		7 ... 116			R432002864
	3/4 NPT		7 ... 145			R432002865
	3/4 NPT		7 ... 232			R432002866
	1 NPT		1 ... 15			R432002879
	1 NPT		1 ... 29			R432002880
	1 NPT		3 ... 58			R432002881
	1 NPT		7 ... 116			R432002882
	1 NPT		7 ... 145			R432002883
	1 NPT		7 ... 232			R432002884
	3/4 NPT	511	1 ... 15	without gauge	1.995	R432002849
	3/4 NPT		1 ... 29			R432002851
	3/4 NPT		3 ... 58			R432002853
	3/4 NPT		7 ... 116			R432002855
	3/4 NPT		7 ... 145			R432002857
	3/4 NPT		7 ... 232			R432002859
	1 NPT		1 ... 15			R432002867
	1 NPT		1 ... 29			R432002869
	1 NPT		3 ... 58			R432002871
	1 NPT		7 ... 116			R432002873
	1 NPT		7 ... 145			R432002875
	1 NPT		7 ... 232			R432002877

Nominal flow Qn at 6.3 bar [91 psi] and $\Delta p = 1$ bar [15 psi].

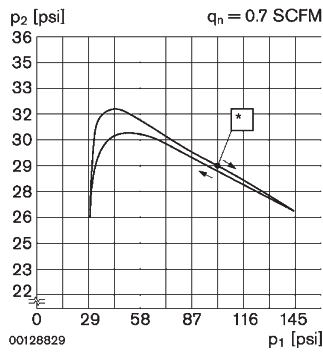
* For AS5 regulators only, improved regulation is achieved by the use of an internal precision regulator. The piloting regulator consumes a maximum of 1.5 l/min at an inlet pressure of 87 psi (6 bar).

Compressed air maintenance unit, series AS5-Inch

Pressure regulator AS5-RGS, with or without gauge, 3/4" - 1" NPT

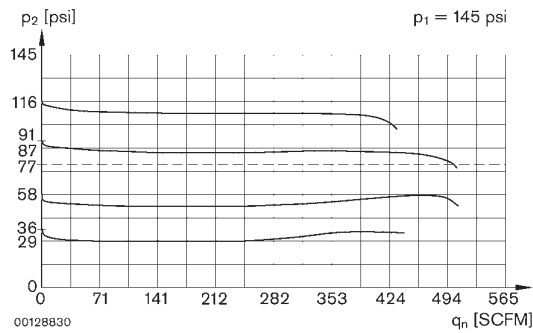


Pressure characteristics curve

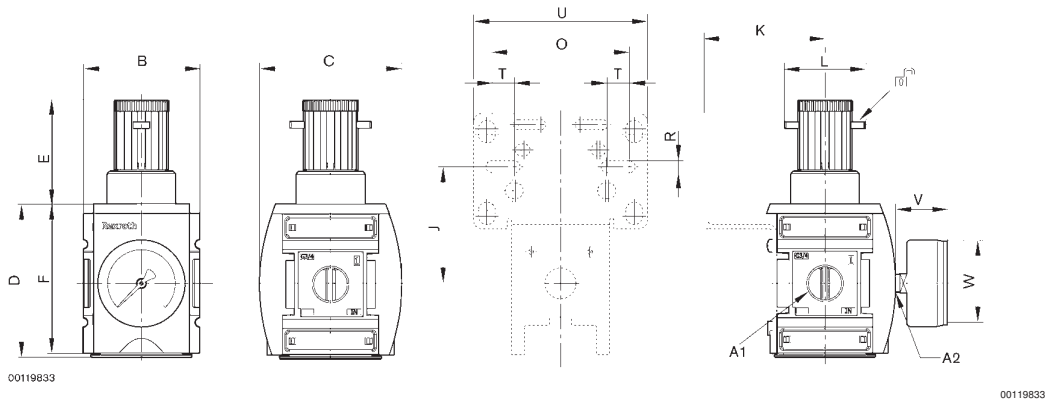


p_1 = working pressure; p_2 = secondary pressure; q = flow rate
* starting point

Flow rate characteristic (setting range p_2 : 0.5 - 8 bar [7 ... 116 psi])



p_1 = working pressure; p_2 = secondary pressure; q_n = nominal flow



A1	A2	B	C	D	E	F	J	K	L	O	R	T	U	V	W
3/4 NPT	1/4 NPT	3.346	4.055	4.409	2.953	4.291	3.268	3.425	2.325	3.858	0.276	0.63	4.882	1.497	2.48
1 NPT	1/4 NPT	3.346	4.055	4.409	2.953	4.291	3.268	3.425	2.325	3.858	0.276	0.63	4.882	1.497	2.48

Compressed air maintenance unit, series AS5-Inch

Filter regulator AS5-FRE, with or w/out gauge, 5 or 40 micron, 3/4" - 1" NPT



00119795

Regulator version	Diaphragm-type pressure regulator
Installation orientation	vertical
Ambient temperature min./max.	-10°C / +50°C [14 °F / 122 °F]
Regulator version	relieving*
	lockable regulator knob
Filter version	Particle filter
	Filter insert replaceable
Filter reservoir volume	87 cm ³ [2.94 fl.oz.]
Medium	compressed air to ISO 8573-1:2001
Materials:	
Housing	Polyamide
Threaded bushing	Die-cast zinc
Cover	Acrylonitrile Butadiene Styrene (ABS)
Filter insert	Polyethylene
Protective guard	Polyamide

* For AS5 regulators only, improved regulation is achieved by the use of an internal precision regulator. The piloting regulator consumes a maximum of 1.5 l/min at an inlet pressure of 87 psi (6 bar).

	Thread connection NPT	Filter (µm)	Oper. press. [psi]	Adjust. range [psi]	Gauge	Condensate drain	Part No. (Reservoir material)		
							Polycarb.	Metal	
	3/4"	5	7 ... 232	7 ... 116	with gauge	semi-auto., opened w/o pressure	R432002786	R432003067	
	3/4"	5	22 ... 232			fully automatic, open w/o pressure	R432002785	R432003068	
	3/4"	5	0 ... 232			fully auto., closed w/o pressure	R432002784	R432003069	
	1"	5	7 ... 232			semi-auto., opened w/o pressure	R432002805	R432003070	
	1"	5	22 ... 232			fully automatic, open w/o pressure	R432002804	R432003071	
	1"	5	0 ... 232			fully auto., closed w/o pressure	R432002805	R432003072	
	3/4"	5	7 ... 232	7 ... 116	w/o gauge	semi-auto., opened w/o pressure	R432002773	R432003061	
	3/4"	5	22 ... 232			fully automatic, open w/o pressure	R432002772	R432003062	
	3/4"	5	0 ... 232			fully auto., closed w/o pressure	R432002771	R432003063	
	1"	5	7 ... 232			semi-auto., opened w/o pressure	R432002792	R432003064	
	1"	5	22 ... 232			fully automatic, open w/o pressure	R432002791	R432003065	
	1"	5	0 ... 232			fully auto., closed w/o pressure	R432002790	R432003066	
		3/4"	5	7 ... 232	7 ... 145	w/o gauge	semi-auto., opened w/o pressure	R432002782	
		3/4"	5	22 ... 232			fully automatic, open w/o pressure	R432002780	
		3/4"	5	0 ... 232			fully auto., closed w/o pressure	R432002778	
		1"	5	7 ... 232			semi-auto., opened w/o pressure	R432002801	
		1"	5	22 ... 232			fully automatic, open w/o pressure	R432002799	
		1"	5	0 ... 232			fully auto., closed w/o pressure	R432002797	
	3/4"	40	7 ... 232	7 ... 145	w/o gauge	semi-auto., opened w/o pressure	R432002783		
	3/4"	40	22 ... 232			fully automatic, open w/o pressure	R432002781		
	3/4"	40	0 ... 232			fully auto., closed w/o pressure	R432002779		
	1"	40	7 ... 232			semi-auto., opened w/o pressure	R432002802		
	1"	40	22 ... 232			fully automatic, open w/o pressure	R432002800		
	1"	40	0 ... 232			fully auto., closed w/o pressure	R432002798		
Part No.		Flow rate [CFM]	Reservoir	Protective guard	Weight [lbs]				
Polycarb.	Metal								
R432002786	R432003067	458	Polycarbonate/ Die cast zinc	Polyamide/ None		2.385/3.573			
R432002785	R432003068					2.498/3.686			
R432002784	R432003069					2.498/3.686			
R432002805	R432003070					2.385/3.573			
R432002804	R432003071					2.498/3.686			
R432002805	R432003072					2.498/3.686			

Compressed air maintenance unit, series AS5-Inch

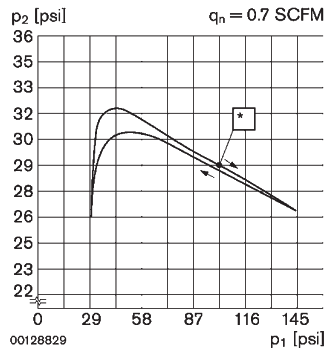
Filter regulator AS5-FRE, with or w/out gauge, 5 or 40 micron, 3/4" - 1" NPT



Part No.		Flow rate [CFM]	Reservoir	Protective guard	Weight [lbs]
Polycarb.	Metal				
R432002773	R432003061	458	Polycarbonate/ Die cast zinc	Polyamide/ None	2.183/3.373
R432002772	R432003062				2.295/3.485
R432002771	R432003063				2.295/3.485
R432002792	R432003064				2.183/3.373
R432002791	R432003065				2.295/3.485
R432002790	R432003066				2.295/3.485
R432002782		458	Polycarbonate	Polyamide	2.183/ --
R432002780					2.295/ --
R432002778					2.295/ --
R432002801					2.183/ --
R432002799					2.295/ --
R432002797					2.295/ --
R432002783		458	Polycarbonate	Polyamide	2.183/ --
R432002781					2.295/ --
R432002779					2.295/ --
R432002802					2.183/ --
R432002800					2.295/ --
R432002798					2.295/ --

Nominal flow Q_n at 6.3 bar [91 psi] and $\Delta p = 1$ bar [15 psi]

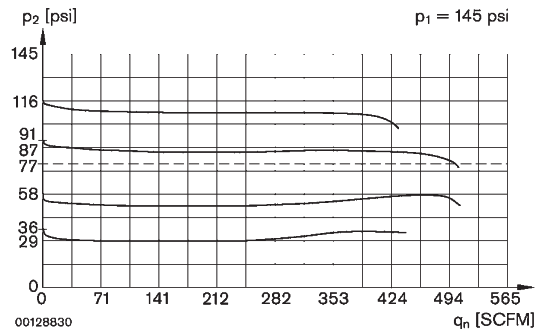
Pressure characteristics curve



p_1 = working pressure; p_2 = secondary pressure; q_n = flow rate

* starting point

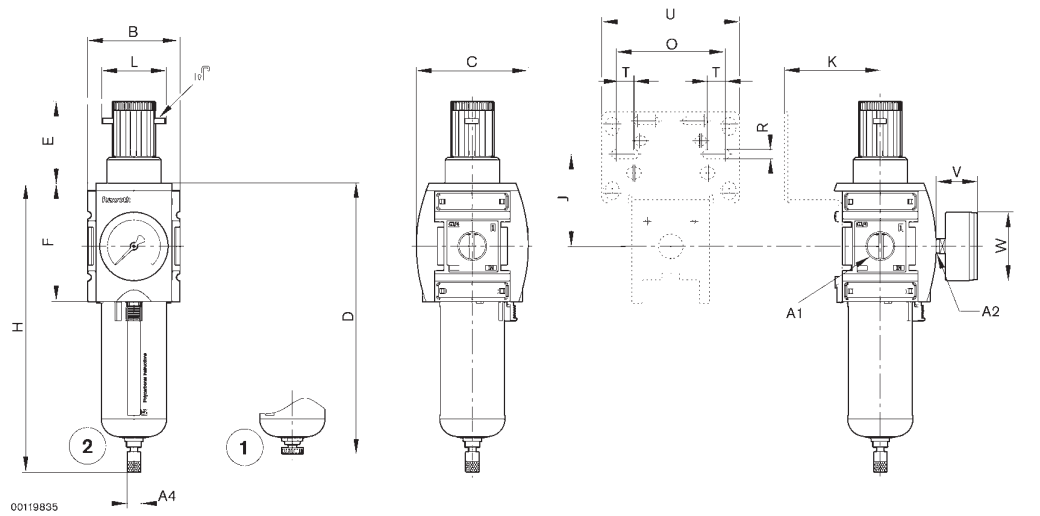
Flow rate characteristic (setting range p_2 : 0.5 - 8 bar [7 ... 116 psi])



p_1 = working pressure; p_2 = secondary pressure; q_n = nominal flow

Compressed air maintenance unit, series AS5-Inch

Filter regulator AS5-FRE, with or w/out gauge, 5 or 40 micron, 3/4" - 1" NPT



- 1) semi-automatic condensate drain
- 2) fully automatic condensate drain

A1	A2	A4	B	C	D	E	F	H	J	K	L	O	R	T
3/4 NPT	1/4 NPT	G 1/8	2.48	4.055	9.843	2.953	4.291	10.472	3.268	3.425	2.325	3.858	0.276	0.63
1 NPT	1/4 NPT	G 1/8	2.48	4.055	9.843	2.953	4.291	10.472	3.268	3.425	2.325	3.858	0.276	0.63
A1	U	V	W											
3/4 NPT	4.882	1.497	2.48											
1 NPT	4.882	1.497	2.48											

Compressed air maintenance unit, series AS5-Inch

Standard filter AS5-FLS, 5 or 40 micron, 3/4" - 1" NPT



00119796

Ambient temperature min./max.	-10 °C / +50 °C [14 °F / 122 °F]
Installation orientation	vertical
Version	Replaceable filter element
Filter reservoir volume	87 cm ³ [2.94 fl.oz.]
Medium	compressed air to ISO8573-1:2001
Materials:	
Housing	Polyamide
Threaded bushing	Die-cast zinc
Cover	Acrylonitrile Butadiene Styrene (ABS)
Filter insert	Polyethylene

	Thread connection NPT	Filter (µm)	Oper. press. [psi]	Flow rate [CFM]	Condensate drain	Part No. (Reservoir material)	
						Polycarb.	Metal
	3/4"	5	7 ... 232	275	semi-auto., opened w/o pressure	R432002755	R432003035
	3/4"	5	22 ... 232		fully automatic, open w/o pressure	R432002753	R432003036
	3/4"	5	0 ... 232		fully auto., closed w/o pressure	R432002751	R432003037
	3/4"	40	7 ... 232		semi-auto., opened w/o pressure	R432002756	
	3/4"	40	22 ... 232		fully automatic, open w/o pressure	R432002754	
	3/4"	40	0 ... 232		fully auto., closed w/o pressure	R432002752	
	1"	5	7 ... 232	275	semi-auto., opened w/o pressure	R432002765	R432003038
	1"	5	22 ... 232		fully automatic, open w/o pressure	R432002763	R432003039
	1"	5	0 ... 232		fully auto., closed w/o pressure	R432002761	R432003040
	1"	40	7 ... 232		semi-auto., opened w/o pressure	R432002766	
	1"	40	22 ... 232		fully automatic, open w/o pressure	R432002764	
	1"	40	0 ... 232		fully auto., closed w/o pressure	R432002762	
Part No.		Reservoir		Protective guard		Weight [lbs]	
Polycarb.	Metal						
R432002755	R432003035	Polycarbonate/ Die Cast Zinc		Polyamide/ None		1.583/2.773	
R432002753	R432003036					1.695/2.885	
R432002751	R432003037					1.695/2.885	
R432002756						1.583/ --	
R432002754						1.695/ --	
R432002752						1.695/ --	
R432002765	R432003038	Polycarbonate/ Die Cast Zinc		Polyamide/ None		1.583/2.773	
R432002763	R432003039					1.695/2.885	
R432002761	R432003040					1.695/2.885	
R432002766						1.583/ --	
R432002764						1.695/ --	
R432002762						1.695/ --	

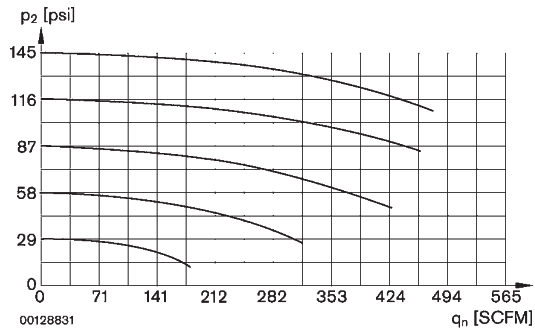
Nominal flow Qn at 6.3 bar [91 psi] and Δp = 1 bar [15 psi]

Compressed air maintenance unit, series AS5-Inch

Standard filter AS5-FLS, 5 or 40 micron, 3/4" - 1" NPT

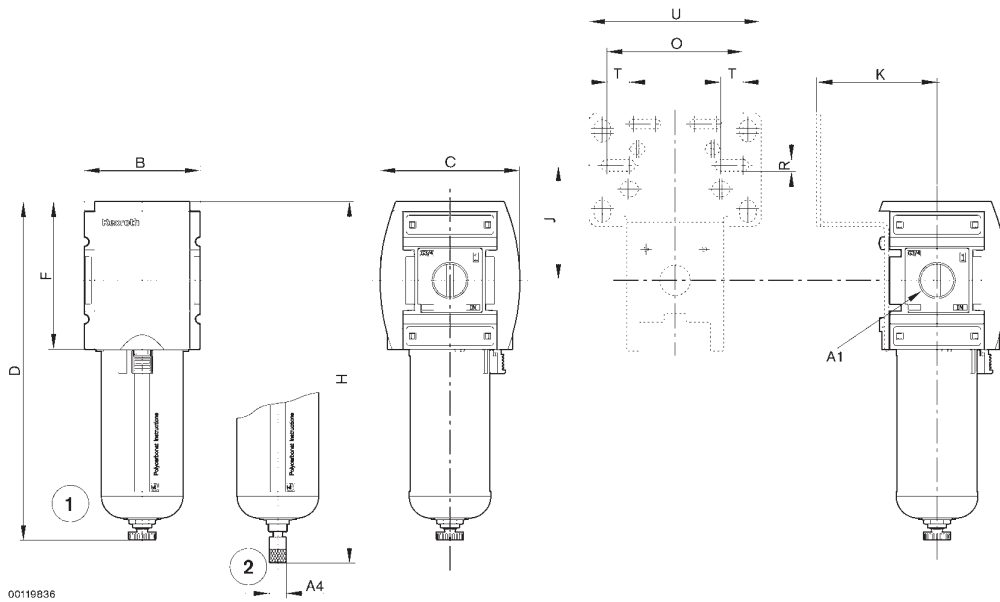


Flow rate characteristic



p2 = secondary pressure; qn = nominal flow

Dimensioned drawing



- 1) semi-automatic condensate drain
- 2) fully automatic condensate drain

A1	A4	B	C	D	F	H	J	K	O	R	T	U
3/4 NPT	G 1/8	3.346	4.055	9.843	4.291	10.472	3.268	3.425	3.858	0.276	0.63	4.882
1 NPT	G 1/8	3.346	4.055	9.843	4.291	10.472	3.268	3.425	3.858	0.276	0.63	4.882

Compressed air maintenance unit, series AS5-Inch

Pre-filter, series AS5-FLP, 0.3 micron, 3/4" - 1" NPT

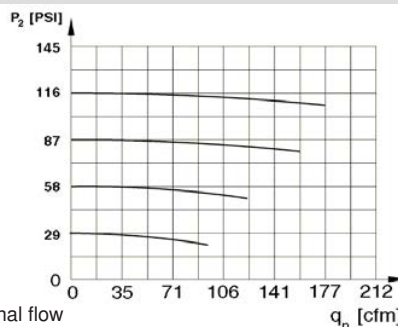


Ambient temperature min./max. -10°C / +50° C (+14°F /+122°F) with dried air
 Installation orientation vertical
 Filter reservoir volume 2.9 fl oz (87 cm³)
 Medium compressed air
 materials:
 Housing Polyamide, seals Buna-N (NBR)
 Threaded bushing Diecast zinc
 Cover acrylonitrile butadiene styrene (ABS)
 Filter insert Polymer-Impregnated paper

	Thread conn. NPT	Oper. press. [psi]	Flow rate [CFM]	Condensate drain	with contam. display	Part No. (Reservoir material)	
						Polycarb.	Metal
	3/4"	232	78	semi-auto., opened w/o pressure	no	R432002911	R432003041
	3/4"	232		semi-auto., opened w/o pressure	yes	R432002912	
	3/4"	232		fully automatic, open w/o pressure	no	R432002745	R432003042
	3/4"	232		fully automatic, open w/o pressure	yes	R432002746	
	3/4"	232		fully auto., closed w/o pressure	no	R432002743	R432003043
	3/4"	232		fully auto., closed w/o pressure	yes	R432002744	
	1"	232	78	semi-auto., opened w/o pressure	no	R432002913	R432003044
	1"	232		semi-auto., opened w/o pressure	yes	R432002914	
	1"	232		fully automatic, open w/o pressure	no	R432002749	R432003045
	1"	232		fully automatic, open w/o pressure	yes	R432002750	
	1"	232		fully auto., closed w/o pressure	no	R432002747	R432003046
	1"	232		fully auto., closed w/o pressure	yes	R432002748	
Part No.		Filter (µm)	Reservoir	Protective guard	Weight [lbs]		
Polycarb.	Metal						
R432002911	R432003041	0.3	Polycarbonate/ Die Cast Zinc	Polyamide/ None	1.6/2.8 1.7/2.9 1.7/2.9 1.6/2.8 1.7/2.9 1.7/2.9		
R432002912		0.3					
R432002745	R432003042	0.3					
R432002746		0.3					
R432002743	R432003043	0.3					
R432002744		0.3					
R432002913	R432003044	0.3	Polycarbonate/ Die Cast Zinc	Polyamide/ None	1.6/2.8 1.7/2.9 1.7/2.9 1.6/2.8 1.7/2.9 1.7/2.9		
R432002914		0.3					
R432002749	R432003045	0.3					
R432002750		0.3					
R432002747	R432003046	0.3					
R432002748		0.3					

Nominal flow at inlet pressure 91 psi with 1.5 psi pressure drop [6.3 bar at Δp = 0.1 bar]

flow rate characteristic



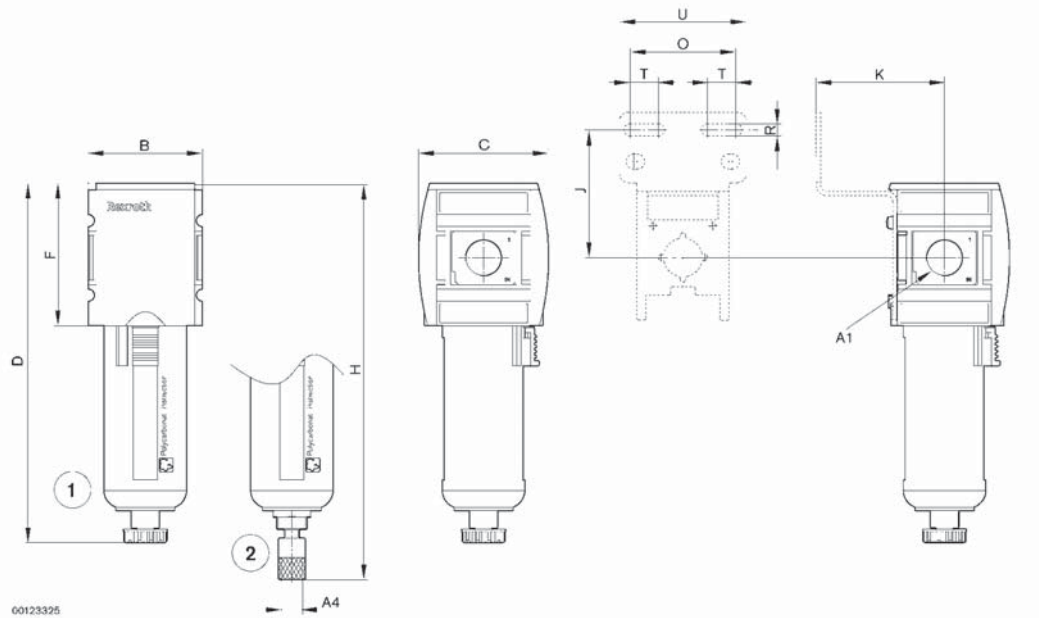
p₁ = working pressure; p₂ = secondary pressure; q_n = nominal flow

Compressed air maintenance unit, series AS5-Inch

Pre-filter, series AS5-FLP, 0.3 micron, 3/4" - 1" NPT



dimensioned drawing



- 1) semi-automatic condensate drain
- 2) fully automatic condensate drain

A1	A4	B	C	D	F	H	J	K	O	R	U	X
3/4" NPT	G1/8	3.35	4.06	9.84	4.29	10.46	2.85	2.80	2.36	0.28	0.63	2.83
1" NPT	G1/8	3.35	4.06	9.84	4.29	10.46	2.85	2.80	2.36	0.28	0.63	2.83

Dimensions in inches.

Compressed air maintenance unit, series AS5-Inch

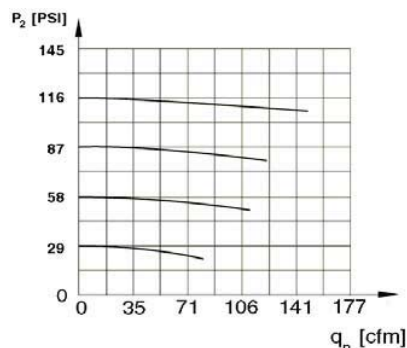
Coalescing filter AS5-FLC, 0.01 micron, 3/4" - 1" NPT



Ambient temperature min./max. -10 °C / +50 °C (+14 °F / +122 °F) with dried air
 Installation orientation vertical
 Filter reservoir volume 2.9 fl oz / 87 cm³
 Medium compressed air acc. to ISO 8573-1: 2001
 Compressed air class class 6-4-3
 ATEX II 2G2D -10 °C ≤ Ta ≤ 50 °C
 materials:
 Body / seals Polyamide / Buna-N (NBR)
 Threaded bushing Diecast zinc
 Cover acrylonitrile butadiene styrene plastic

	Thread conn. NPT	Oper. press. [psi]	Flow rate [CFM]	Condensate drain	with contam. display	Part No. (Reservoir material)	
						Polycarb.	Metal
	3/4"	7 ... 232	77.7	semi-auto., opened w/o pressure	no	R432002737	R432003047
	3/4"	7 ... 232		semi-auto., opened w/o pressure	yes	R432002915	R432003053
	3/4"	22 ... 232		fully automatic, open w/o pressure	no	R432002735	R432003048
	3/4"	22 ... 232		fully automatic, open w/o pressure	yes	R432002916	R432003054
	3/4"	0 ... 232		fully auto., closed w/o pressure	no	R432002733	R432003044
	3/4"	0 ... 232		fully auto., closed w/o pressure	yes	R432002917	R432003055
	1"	7 ... 232	77.7	semi-auto., opened w/o pressure	no	R432002742	R432003050
	1"	7 ... 232		semi-auto., opened w/o pressure	yes	R432002918	R432003056
	1"	22 ... 232		fully automatic, open w/o pressure	no	R432002740	R432003051
	1"	22 ... 232		fully automatic, open w/o pressure	yes	R432002919	R432003057
	1"	0 ... 232		fully auto., closed w/o pressure	no	R432002738	R432003052
	1"	0 ... 232		fully auto., closed w/o pressure	yes	R432002920	R432003058
Part No.		Filter porosity (µm)	Reservoir	Protective guard	Weight [lbs]		
Polycarb.	Metal						
R432002737	R432003047	0.01	Polycarbonate/ Die Cast Zinc	Polyamide/ None	1.6/2.8		
R432002915	R432003053	0.01			1.7/2.9		
R432002735	R432003048	0.01			1.7/2.9		
R432002916	R432003054	0.01			1.6/2.8		
R432002733	R432003044	0.01			1.7/2.9		
R432002917	R432003055	0.01			1.7/2.9		
R432002742	R432003050	0.01	Polycarbonate/ Die Cast Zinc	Polyamide/ None	1.6/2.8		
R432002918	R432003056	0.01			1.7/2.9		
R432002740	R432003051	0.01			1.7/2.9		
R432002919	R432003057	0.01			1.6/2.8		
R432002738	R432003052	0.01			1.7/2.9		
R432002920	R432003058	0.01			1.7/2.9		

Nominal flow at inlet pressure 91 psi with 1.5 psi pressure drop [6.3 bar at Δp = 0.1 bar]



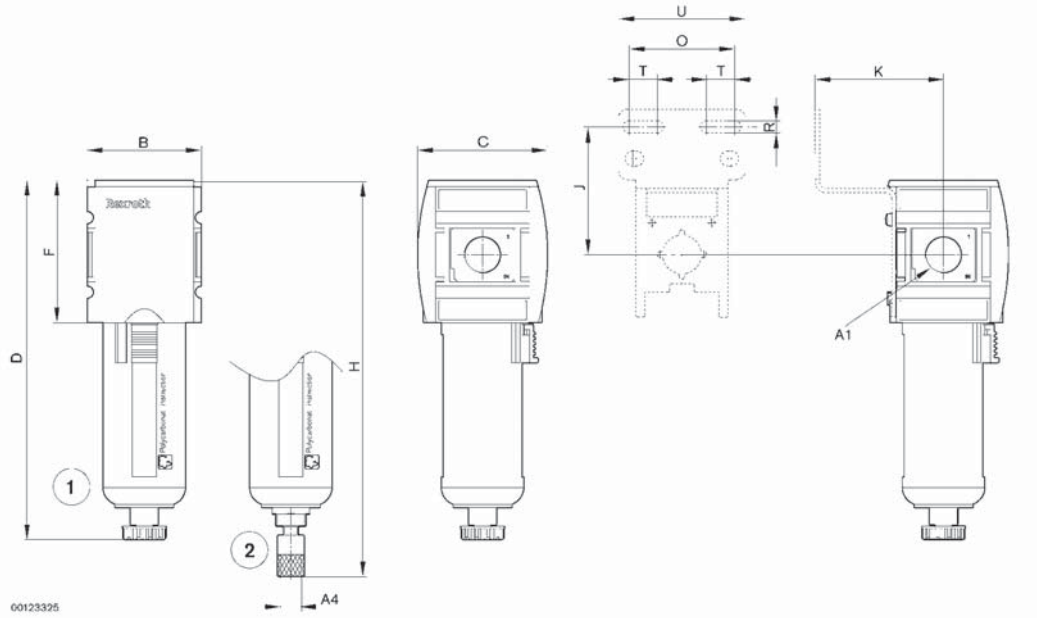
p1 = working pressure; p2 = secondary pressure; qn = nominal flow

Compressed air maintenance unit, series AS5-Inch

Coalescing filter AS5-FLC, 0.01 micron, 3/4" - 1" NPT



dimensioned drawing



- 1) semi-automatic condensate drain
- 2) fully automatic condensate drain

A1	A4	B	C	D	F	H	J	K	O	R	T	U		
3/4 NPT	G 1/8	2.5	2.9	7.45	3.1	8.1	2.85	2.8	2.4	0.3	0.63	2.8		
1 NPT	G 1/8													

Dimensions in inches.

Compressed air maintenance unit, series AS5-Inch

Active carbon filter AS5-FLA, 3/4" - 1" NPT

For odor/vapor removal



00119385

Ambient temperature min./max.	-10°C / +50° C (+14°F /+122°F) with dried air
Installation orientation	vertical
Filter reservoir volume	2.9 fl oz - 87 cm ³
Medium	compressed air acc. to ISO 8573-1: 2001 dry air
Compressed air class	class 6-4-3
materials:	
Housing	Polyamide, seals Buna-N (NBR)
Threaded bushing	Die cast zinc
Cover	acrylonitrile butadiene styrene plastic

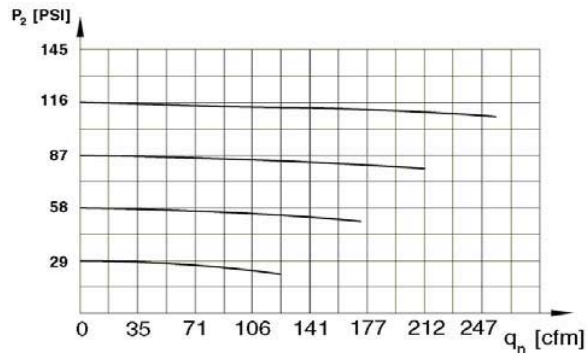
	Thread conn. NPT	Oper. press. [psi]	Flow rate [CFM]	Protective guard	Weight [lb]	Part No. (Reservoir material)	
						Polycarb.	Metal
	3/4"	0 ... 232	60	Polyamide/none	0.825/2.015	R432002921	R432003059
	1"	0 ... 232	60	Polyamide/none	0.825/2.015	R432002922	R432003060

Reservoir materials: Polycarbonate or die-cast zinc

Bosch Rexroth recommends that filter types FLP and FLC be used upstream as prefilters

Nominal flow at inlet pressure 91 psi with 1.5 psi pressure drop [6.3 bar at $\Delta p = 0.1$ bar]

flow rate characteristic



p_1 = working pressure; p_2 = secondary pressure; q_n = nominal flow

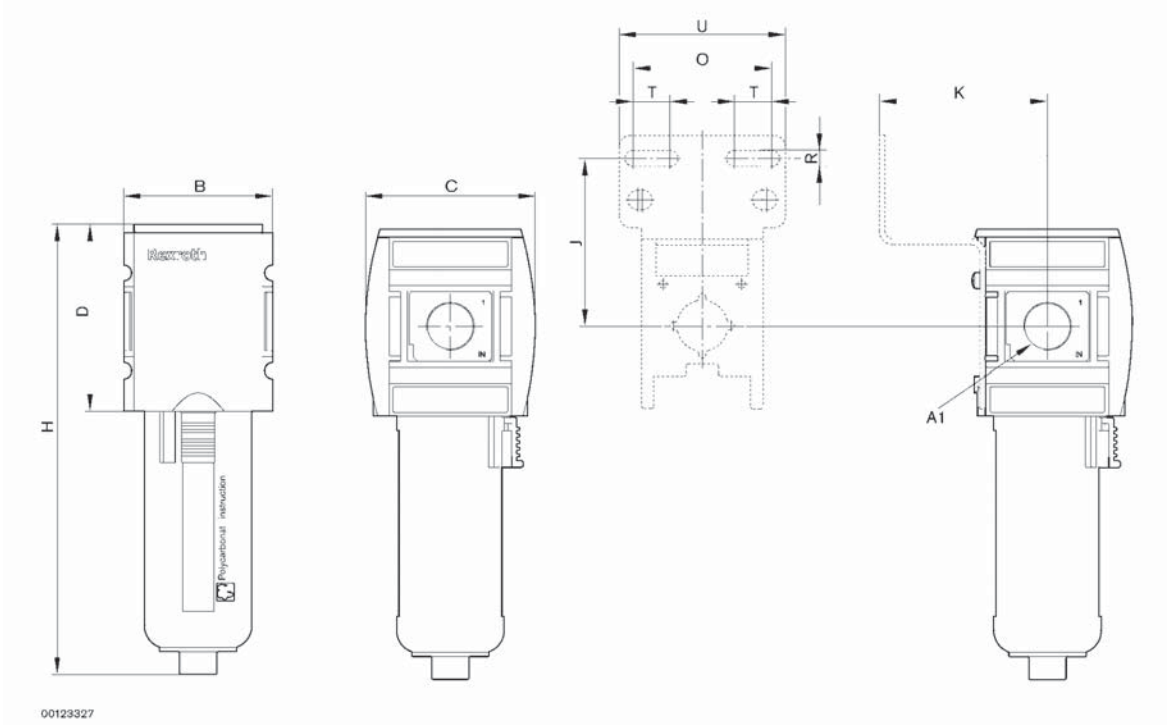
Compressed air maintenance unit, series AS5-Inch

Active carbon filter AS5-FLA, 3/4" - 1" NPT

For odor/vapor removal



dimensioned drawing



A1	B	C	D	H	J	K	O	R	T	U
3/4 NPT	2.5	2.9	7.45	8.1	2.85	2.8	2.4	0.3	0.63	2.8
1 NPT										

Dimensions in Inches

Compressed air maintenance unit, series AS5-Inch

Lubricator, oil-drop AS5-LBS, with semi-automatic oil filling, 3/4" - 1" NPT



00119800

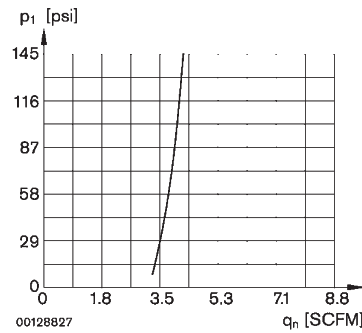
Ambient temperature min./max.	-10 °C / +50 °C [14 °F / 122 °F]
Medium	Compressed air to ISO8573-1:2001
Type of filling	Semi-automatic oil filling during operation
Installation orientation	vertical
Reservoir volume	181 cm ³ [6.12 fl.oz.]
Oil type	HL 68 (DIN 51 524 - ISO VG 68)
Materials:	
Housing	Polyamide, seals Buna-N (NBR)
Threaded bushing	Die-cast zinc
Cover	Acrylonitrile Butadiene Styrene (ABS)

	Thread conn. NPT	Oper. press. [psi]	Flow rate [CFM]	Protective guard	Weight [lb]	Ready for oil level sensor	Part No. (Reservoir material)	
							Polycarb.	Metal
	3/4"	7 ... 232	557	Polyamide/none	1.68/2.87	no	R432002809	R432003073
	3/4"	7 ... 232	557	Polyamide/none	1.68/2.87	yes	R432002810	R432003074
	1"	7 ... 232	557	Polyamide/none	1.68/2.87	no	R432002813	R432003075
	1"	7 ... 232	557	Polyamide/none	1.68/2.87	yes	R432002814	R432003076

Reservoir materials: Polycarbonate or die-cast zinc

Nominal flow at inlet pressure 91 psi and 15 psi drop ($P_1 = 6.3 \text{ bar}$, $\Delta P = 1 \text{ bar}$)

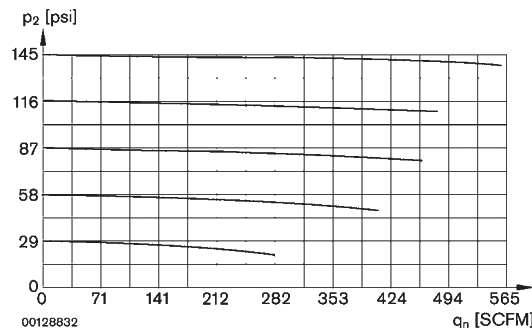
Lubricator activation margin



00128827

p_1 = secondary pressure; q_n = nominal flow

Flow rate characteristic



00128832

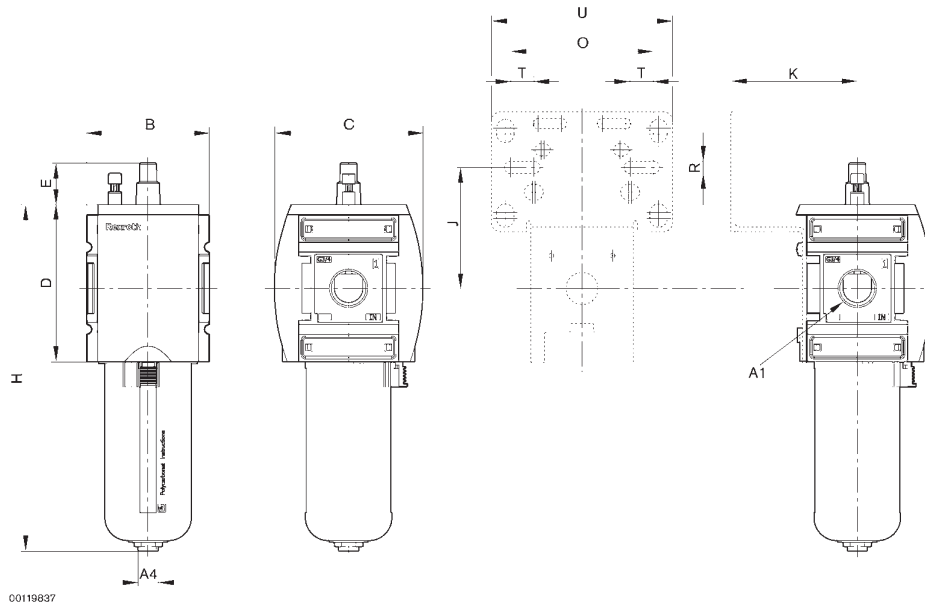
p_2 = secondary pressure; q_n = nominal flow

Compressed air maintenance unit, series AS5-Inch

Lubricator AS5-LBS, with semi-automatic oil filling, 3/4" - 1" NPT



Dimensioned drawing



00119837

00119837

A1	A4	B	C	D	E	H	J	K	O	R	T	U
3/4 NPT	G 1/8	3.346	4.055	4.291	1.143	9.409	3.268	3.425	3.858	0.276	0.63	4.882
1 NPT	G 1/8	3.346	4.055	4.291	1.143	9.409	3.268	3.425	3.858	0.276	0.63	4.882

Compressed air maintenance unit, series AS5-Inch

3/2 directional control valve AS5-SOV, electrically operated, 3/4" - 1" NPT



00119378

Ambient temperature min./max.	-10°C / +50° C (+14°F /+122°F) with dried air
Medium	compressed air acc. to ISO 8573-1: 2001
Compressed air class	class 6-4-3
materials:	
Housing	polyamide, seals Buna-N (NBR)
Cover	acrylonitrile butadiene styrene (ABS)
Threaded bushing	Die cast zinc
Protection class (DIN 40 050) with electrical connector	IP 65 (NEMA 4)

Power consumption at 24 V DC	Switch-on power at 230V 50 Hz AC	Holding power at 230V 50 Hz AC
W	VA	VA
2	2.2	1.6

	Thread connection NPT	Operational voltage	Qn CFM	Operating pressure [psi]	Weight [lbs]	Notes	Part No.	
	3/4"	-	-	-	1.413	1	R432002890	
	3/4"	-	-	-	1.367	2	R432002889	
	3/4"	24VDC ±10%	441	36 ... 145	1.493	3	R432002885	
	3/4"	50/60Hz	-	-	1.493	3	R432002886	
	3/4"	50/60Hz	-	-	1.493	3	R432002887	
	1"	-	-	-	-	1.413	1	R432002896
	1"	-	-	-	-	1.367	2	R432002895
	1"	24VDC ±10%	441	36 ... 145	1.493	3	R432002891	
	1"	50/60Hz	-	-	1.493	3	R432002892	
	1"	50/60Hz	-	-	1.493	3	R432002893	

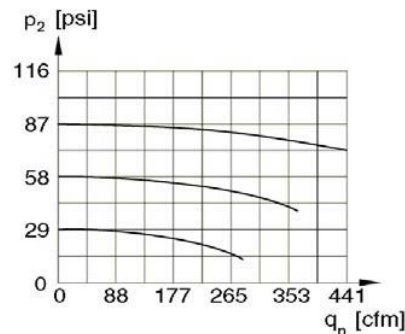
- 1) without DO16 pilot valve 2) with CNOMO interface, without pilot valve
3) with DO16 pilot valve (use electrical connector DIN Form C, series CN1)

Nominal flow at inlet pressure 91 psi and 15 psi drop ($P_1 = 6.3 \text{ bar}$, $\Delta P = 1 \text{ bar}$)

Silencer, sintered bronze (conical) R432031045

flow rate characteristic, 1 - 2

p_2 = secondary pressure q_n = nominal flow

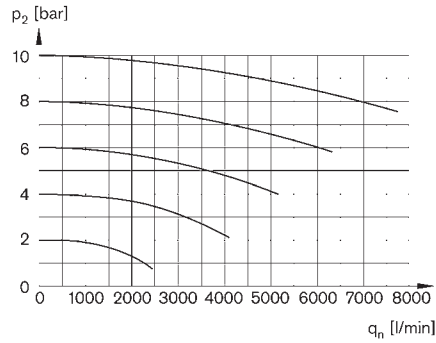


Compressed air maintenance unit, series AS5-Inch

3/2 directional control valve AS5-SOV, electrically operated, 3/4" - 1" NPT



rear exhaust, 2 - 3

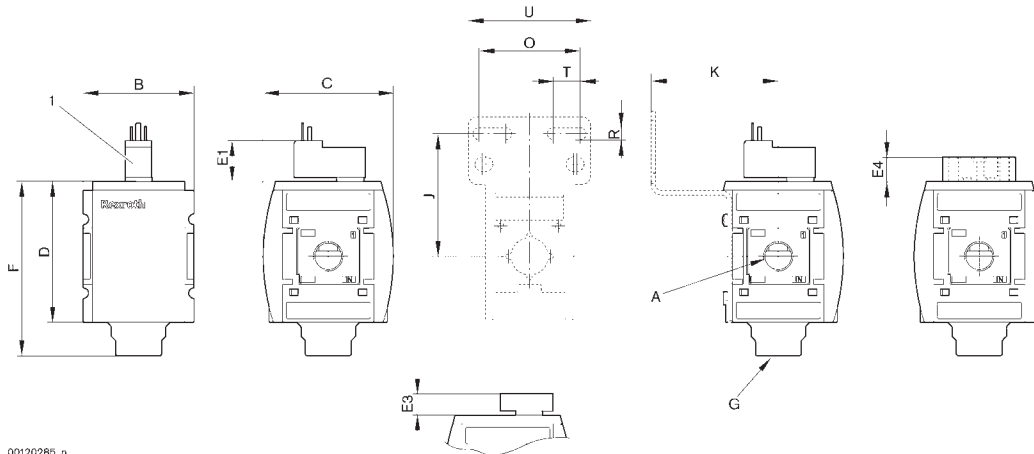


00123196

00123196

p_2 = secondary pressure q_n = nominal flow

dimensioned drawing



00120285_n

00120285_n

1) pilot valve

A	G	B	C	D	E1	E3	F	J	K	O	R	T	U		
3/4" NPT 1" NPT	3/8" NPT	2.5	3.0	3.1	0.91	0.48	3.9	2.85	2.6	2.4	0.3	0.63	2.8		

Dimensions in inches.

Compressed air maintenance unit, series AS5-Inch

3/2 directional control valve AS5-SOV, pneumatically operated, 3/4" - 1" NPT



00119377

Ambient temperature min./max.

Medium

Compressed air class

ATEX

materials:

Housing

Cover

Thread connection

-10°C / +50°C (+14°F / +122°F) with dried air
compressed air acc. to ISO 8573-1: 2001

class 6-4-3

II 2G2D -10 °C ≤ Ta ≤ 50 °C

Polyamide, seals Buna-N (NBR)

Acrylonitrile butadiene styrene (ABS)

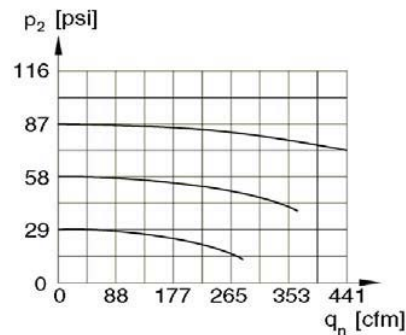
Die cast zinc

	Working pressure min/max [psi]	Port	Weight [lb]	Part No.
	36 / 145	3/4 NPT	1.01	R432002888
		1 NPT		R432002894

Nominal flow Q_n at 91 psi with 15 psi pressure drop (6.3 bar and $\Delta p = 1$ bar.)

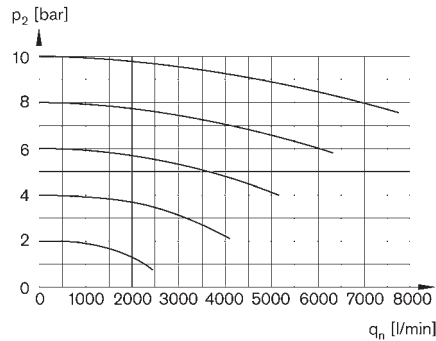
Silencer, sintered bronze (conical) R432031045

flow rate characteristic, 1 - 2



p_2 = secondary pressure q_n = nominal flow

rear exhaust, 2 - 3



00123196

00123196

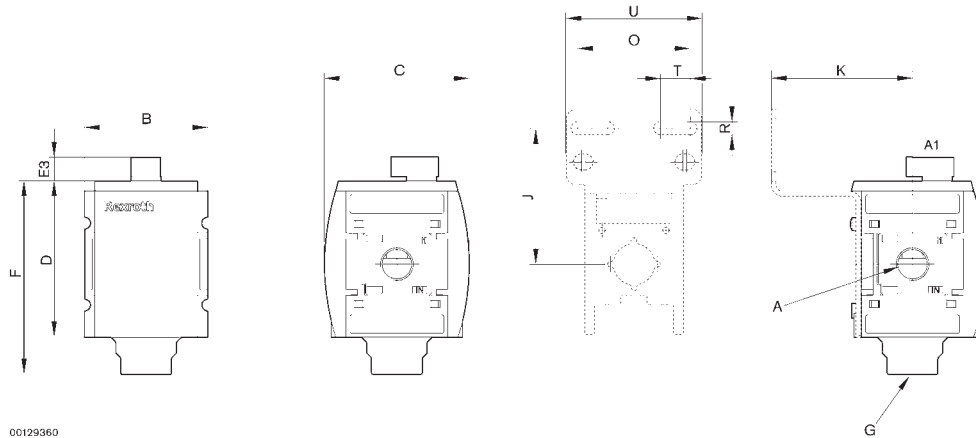
p_2 = secondary pressure q_n = nominal flow

Compressed air maintenance unit, series AS5-Inch

3/2 directional control valve AS5-SOV, pneumatically operated, 3/4" - 1" NPT



dimensioned drawing



00129360

00129360

A	A1	B	C	D	E3	F	G	J	K	O	R	T	U
3/4" NPT	G1/8	2.5	2.9	3.1	0.48	3.9	3/8" NPT	2.85	2.6	2.4	0.3	0.63	2.8
1" NPT	G1/8	2.5	2.9	3.1	0.48	3.9	3/8" NPT	2.85	2.6	2.4	0.3	0.63	2.8

Dimensions in inches.

Compressed air maintenance unit, series AS5-Inch

3/2-way shut-off valve (ball valve), AS5-BAV, lockable, 3/4" - 1" NPT



00119805

Ambient temperature min./max.

Medium

Materials:

Housing

Threaded bushing

Cover

-10 °C / +50 °C [14 °F / 122 °F]

Compressed air to ISO8573-1:2001

PA MXD6

Die-cast zinc

Acrylonitrile Butadiene Styrene (ABS)

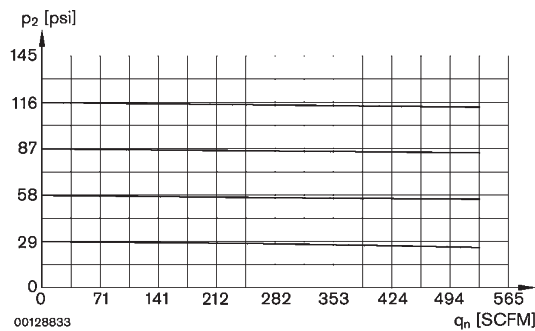
	Port	Qn [CFM]	Weight [lbs]	Part No.
	3/4 NPT	511	1.819	R432002726
	1 NPT			R432002727

Nominal flow Qn at 6.3 bar [91 psi] and $\Delta p = 1$ bar [15 psi].

Lockable via padlock (not included)

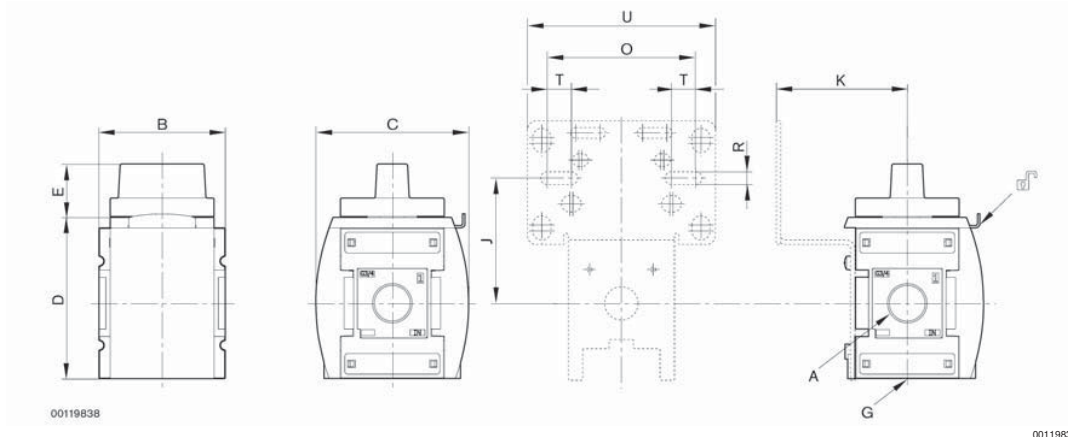
Silencer, sintered bronze (conical) R432031046

Flow rate characteristic



p₂ = secondary pressure; q_n = nominal flow

Dimensioned drawing



	A	B	C	D	E	G	J	K	O	R	T	U
3/4 NPT		3.346	4.055	4.291	1.418	3/4 NPT	3.268	3.425	3.858	0.276	0.63	4.882
1 NPT		3.346	4.055	4.291	1.418	3/4 NPT	3.268	3.425	3.858	0.276	0.63	4.882

Compressed air maintenance unit, series AS5-Inch

Filling valve (soft start) AS5-SSV, 3/4" - 1" NPT



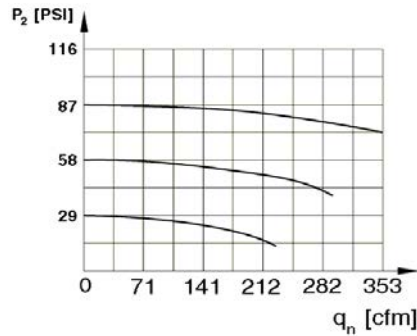
00119380

Working pressure min/max	36 / 232 PSI (2.5 / 16 bar)
Ambient temperature min./max.	+14°F / +122°F (-10°C / +50° C) with dried air compressed air acc. to ISO 8573-1: 2001 class 6-4-3
Medium	
Compressed air class materials:	
Housing	Polyamide, seals Buna-N (NBR)
Threaded bushing	Die cast zinc
Cover	Acrylonitrile butadiene styrene (ABS)

	Thread connection	Flow [CFM]	Weight [lb]	Part No.
	3/4 NPT	353	0.95	R432002909
	1 NPT			R432002910

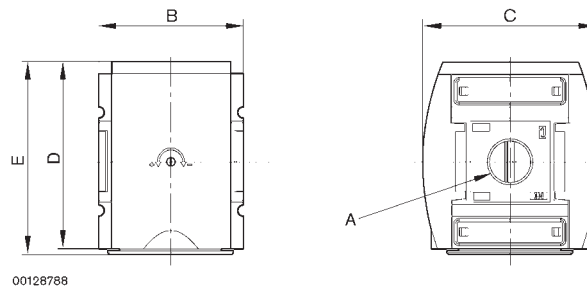
Nominal flow with supply pressure 91 PSI and 15 PSI pressure drop (6.3 bar at $\Delta p = 1$ bar)

flow rate characteristic



p₂ = secondary pressure
q_n = nominal flow

dimensioned drawing



00128788

	A	B	C	D	E
3/4" or 1" NPT		3.35	4.06	4.29	4.41

Dimensions in inches.

Compressed air maintenance unit, series AS5-Inch

Distributor block AS5-DIS, 2-way, 3/4" - 1" NPT



00119807

Ambient temperature min./max.

Medium

Materials:

Housing

Threaded bushing

Cover

-10 °C / +50 °C [14 °F / 122 °F]

Compressed air to ISO8573-1:2001

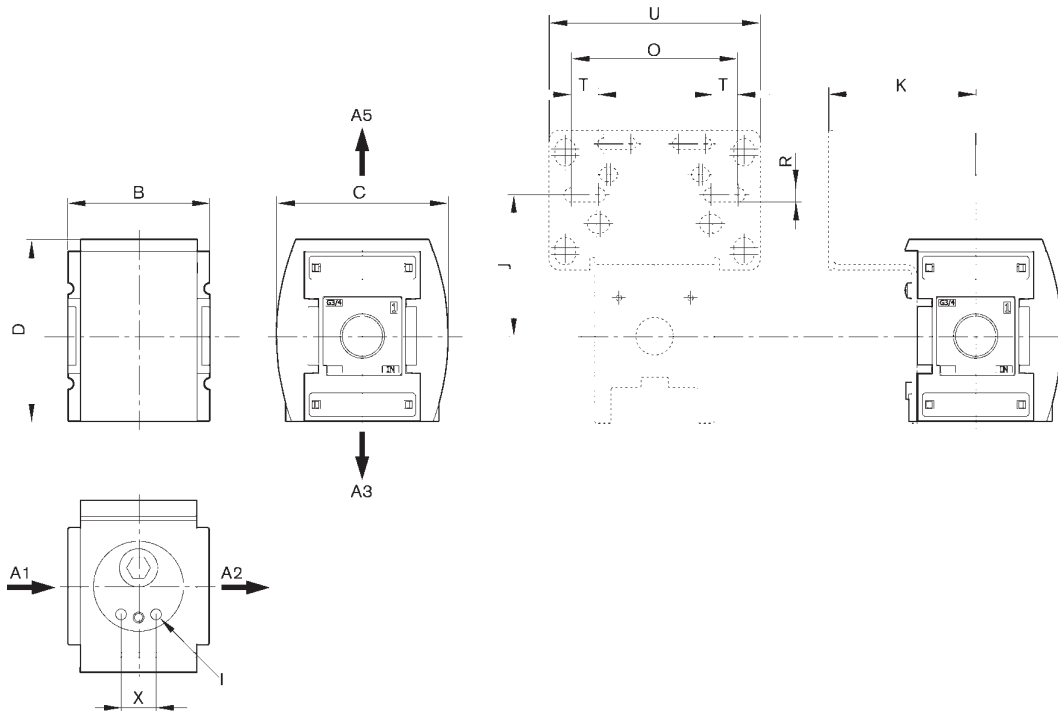
PA MXD6

Diecast zinc

Acrylonitrile Butadiene Styrene (ABS)

	Port	Qn [CFM]	Weight [lbs]	Part No.
	3/4 NPT	423	1.429	R432002729
	1 NPT			R432002730

Dimensioned drawing



00119839

00119839

A1	A2	A3	A5	B	C	D	I	J	K	O	R	T	U	X
3/4 NPT	3/4 NPT	3/4 NPT	3/4 NPT	3.346	4.055	4.291	M5 [0.197]	3.268	3.425	3.858	0.276	0.63	4.882	0.787
1 NPT	3/4 NPT	3/4 NPT	3/4 NPT	3.346	4.055	4.291	M5 [0.197]	3.268	3.425	3.858	0.276	0.63	4.882	0.787

Compressed air maintenance unit, series AS2-Metric

AS2 Metric (G1/4 and G3/8) version index



★

	Page
AS2-ACD Combination FR+L maintenance unit, metric	98
AS2-ACT Combination F+R+L maintenance unit, metric.....	100
AS2-RGS Pressure regulator, metric	102
AS2-RGS-DS Pressure regulator, manifold version, metric.....	104
AS2-RGP Precision pressure regulator, metric	106
AS2-RGP-DS Precision pressure reg., manifold version, metric .	108
AS2-FRE Filter regulator, metric	110
AS2-FLS Standard filter (5 micron), metric	112
AS2-FLP Pre-filter (0.3 micron), metric	114
AS2-FLC Coalescing filter (0.01 micron), metric.....	116
AS2-FLA Active carbon filter, metric.....	118
AS2-LBS Lubricator, metric.....	120
AS2-SOV 3/2 Dump valve, electrically operated, metric.....	122
AS2-SOV 3/2 Dump valve, pneumatically operated, metric.....	124
AS2-BAV Manual shut-off valve, lockable option, metric	126
AS2-SSV Filling valve (soft start), metric	127
AS2-DIS Distributor block, metric.....	129
Accessories index	194
AS2 Mounting brackets and other accessories	195
Pressure gauges	224

Compressed air maintenance unit, series AS2-Metric

FR+L Maintenance unit AS2-ACD, 2-in-1, G 1/4 - G 3/8, ATEX approved



Technical Data

Type	Filter Pressure regulator	Filter element replaceable Diaphragm-type pressure regulator with relief opening and reverse flow capability Regulator knob lockable
	Lubricator	Standard oil-drop lubricator with semi-automatic oil filling Fill level – sight glass with slotted screw adjustment for oil metering
		Can be filled with oil during operation
Supply pressure	Condensate drain	semi-automatic: 0.5 - 16 bar (7 - 232 psi) fully automatic : 1.5 - 16 bar (21 - 232 psi)
Secondary pressure		See table
Nominal flow	Q _n	See table
Secondary pressure = 6,3 bar (91 psi) and Δp = 1 bar (15 psi)		
Temperature range		-10° to +50 °C (14 °F to +122 °F) *
Medium		Compressed air
Weight		See table
Installation position		Vertical
Materials	Body Thread insert Reservoir Bowl guard Cover Filter element	Polyamide, seals Buna-N(NBR) Die-cast zinc Polycarbonate or die cast zinc, with bayonet catch Polyamide (polycarbonate bowls only) ABS Polyethylene
Reservoir capacity	Filter Lubricator	28 cm ³ (0.95 U.S. Fl.oz.) (semi-automatic) 40 cm ³ (1.69 U.S. Fl.oz.)
Filter porosity		5 μm
ATEX:	In zone 1 (gas-ex, category 2G) In zone 21 (dust-ex, category 2D) In zone 2 (gas-ex, category 3G) In zone 22 (dust-ex, category 3D)	



* with dried air

Filter for separating solid impurities up to 5 μm from compressed air and gases

For quality classes according to DIN ISO 8573-1

- Solid impurities: class 3

- Humidity - water content: class 8

Oil type: HL 68 (DIN 51 524 - ISO VG 68)

Standard values for oil metering: 1-2 drops / min at a nominal flow rate of Q_n = 1000 l/ min (35.30 CFM)

Plastic containers may only be cleaned with water, soap suds, and other similar, neutral agents.

▶ - semi and fully automatic condensate drain *

*either opened without pressure (NO) or closed without pressure (NC)

Note: All Series AS filter drains include a manual drain function as standard.

Part no.

Symbol	Threaded ports	Nominal flow Q _n [l/min] (CFM)	Secondary pressure [bar](psi)	Options	Weight [kg](lbs.)	Part no. with pressure gauge (Poly./Metal)
	G 1/4	1800 (64)	0,5 - 8 (7 - 116)	Polycarbonate w/guard or metal bowl, semi-automatic, without pressure: open	0,633 (1.4)	R412006298/R412006304
	G 1/4	1800 (64)	1,5 - 8 (21 - 116)	Polycarbonate w/guard or metal bowl, fully automatic, without pressure: open	0,676 (1.49)	R412006299/R412006305
	G 1/4	1800 (64)	0 - 8 (0 - 116)	Polycarbonate w/guard or metal bowl, fully automatic, without pressure: closed	0,676 (1.49)	R412006300/R412006306
	G 3/8	2000 (71)	0,5 - 8 (7 - 116)	Polycarbonate w/guard or metal bowl, semi-automatic, without pressure: open	0,633 (1.4)	R412006307/R412006313
	G 3/8	2000 (71)	1,5 - 8 (21 - 116)	Polycarbonate w/guard or metal bowl, fully automatic, without pressure: open	0,676 (1.49)	R412006308/R412006314
	G 3/8	2000 (71)	0 - 8 (0 - 116)	Polycarbonate w/guard or metal bowl, fully automatic, without pressure: closed	0,676 (1.49)	R412006309/R412006315

Accessories (to be ordered separately)

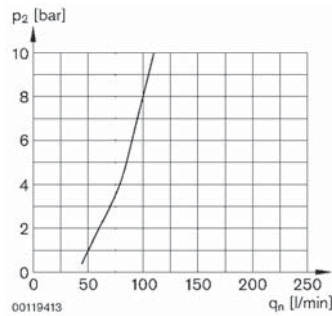
	Accessory	Part no.
	Spare parts kit: see filter pressure regulator valve AS2-FRE and oil-drop lubricator AS2-CBS	
	Mounting plate AS2-MBR-...-W01	R432031071
	Mounting strap AS2-MBR-...-W03	R412006370
	Block assembly kit AS2-MBR-...-W04	R412006371

Compressed air maintenance unit, series AS2-Metric

FR+L Maintenance unit AS2-ACD, 2-in-1, G 1/4 - G 3/8, ATEX approved

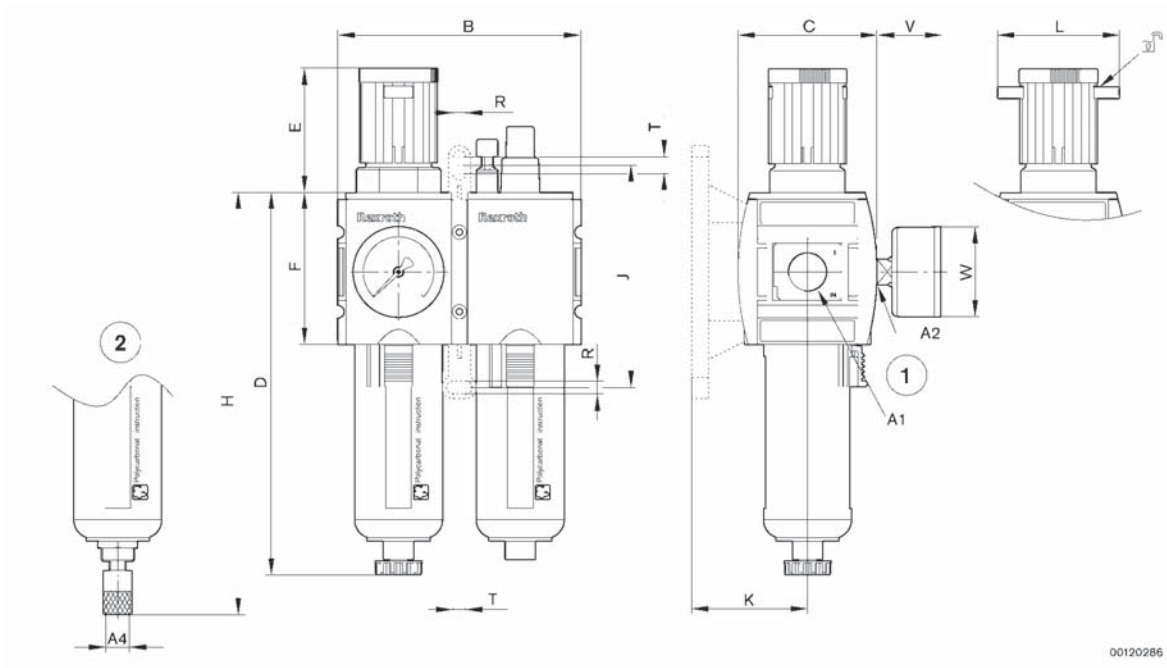
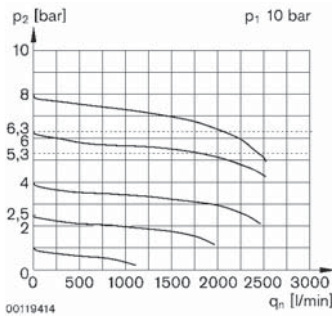


Lubrication activation margin



p_1 = Supply pressure; p_2 = Secondary pressure; q_n = Nominal flow;
 $q_{n \text{ min.}}$ = Min. nominal flow

Flow rate characteristic (setting range p_2 : 0.5 to 8 bar) (7 to 145 psi)



- 1) Semi-automatic condensate drain
- 2) Fully automatic condensate drain

A1	A2	A4	B	C	D	E	F	H	J	K	L	R	T	V	W
G 1/4	G 1/4	G 1/8	104	59	163,5	53,2	65	180,5	95	49,4	52	5,4	7,3	35	50
G 3/8	G 1/4	G 1/8	104	59	163,5	53,2	65	180,5	95	49,4	52	5,4	7,3	35	50

Compressed air maintenance unit, series AS2-Metric

FR+L Maintenance unit AS2-ACT, 3-in-1, G 1/4 - G 3/8, ATEX approved



Technical Data

Type	Filter Pressure regulator	Filter element replaceable Diaphragm-type pressure regulator with relief opening and reverse flow capability Lockable regulator knob
	Lubricator	Standard oil-drop lubricator with semi-automatic oil filling Fill level – sight glass with slotted screw adjustment for oil metering Can be filled with oil during operation
Supply pressure	Condensate drain	semi-automatic: 0.5 - 16 bar (7 - 232 psi) fully automatic : 1.5 - 16 bar (21 - 232 psi)
Secondary pressure		See table
Nominal flow	Q _n	See table
Secondary pressure = 6.3 bar (91 psi) and Δp = 1 bar (15 psi)		
Temperature range		-10° to +50 °C (14 °F to +122 °F) *
Medium		Compressed air
Weight		See table
Installation position		Vertical
Materials	Body Thread insert Reservoir Bowl guard Cover Filter element	Polyamide, seals Buna-N(NBR) Die-cast zinc Polycarbonate or die cast zinc, with bayonet catch Polyamide (polycarbonate bowls only) ABS Polyethylene
Reservoir capacity	Filter Lubricator	28 cm ³ (0.95 U.S. Fl.oz.) 40 cm ³ (1.69 U.S. Fl.oz.) 5 μm
Filter porosity		
ATEX:	In zone 1 (gas-ex, category 2G) In zone 21 (dust-ex, category 2D) In zone 2 (gas-ex, category 3G) In zone 22 (dust-ex, category 3D)	



* with dried air

Filter for separating solid impurities up to 5 μm from compressed air and gases

For quality classes according to DIN ISO 8573-1

- Solid impurities: class 3

- Humidity - water content: class 8

Oil type: HL 68 (DIN 51 524 - ISO VG 68)

Standard values for oil metering: 1-2 drops / min at a nominal flow rate of Q_n = 1000 l / min (35.30 CFM)

Plastic containers may only be cleaned with water, soap suds, and other similar, neutral agents.

▶ - semi and fully automatic condensate drain*

* either opened without pressure (NO) or closed without pressure (NC)

Note: All Series AS filter drains include a manual drain function as standard.

Part no.

Symbol	Threaded ports	Nominal flow Q _n [l/min] (CFM)	Secondary pressure [bar](psi)	Options	Weight [kg](lbs.)	Part no. with pressure gauge (Poly./Metal)
	G 1/4	1400 (49)	0,5 - 8 (7 - 116)	Polycarbonate w/guard or metal bowl, semi-automatic, without pressure: open	0,780 (1.72)	R412006318/R412006324
	G 1/4	1400 (49)	1,5 - 8 (21 - 116)	Polycarbonate w/guard or metal bowl, fully automatic, without pressure: open	0,825 (1.92)	R412006319/R412006325
	G 1/4	1400 (49)	0 - 8 (0 - 116)	Polycarbonate w/guard or metal bowl, fully automatic, without pressure: closed	0,825 (1.92)	R412006320/R412006326
	G 3/8	1600 (56)	0,5 - 8 (7 - 116)	Polycarbonate w/guard or metal bowl, semi-automatic, without pressure: open	0,780 (1.72)	R412006327/R412006333
	G 3/8	1600 (56)	1,5 - 8 (21 - 116)	Polycarbonate w/guard or metal bowl, fully automatic, without pressure: open	0,825 (1.92)	R412006328/R412006334
	G 3/8	1600 (56)	0 - 8 (0 - 116)	Polycarbonate w/guard or metal bowl, fully automatic, without pressure: closed	0,825 (1.92)	R412006329/R412006335

Accessories (to be ordered separately)

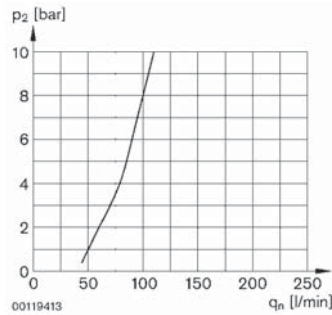
	Accessory	Part no.
	Spare parts kit: see filter pressure regulator AS2-FRE and oil-drop lubricator AS2-CBS	
	Mounting plate AS2-MBR-...-W01	R432031071
	Mounting strap AS2-MBR-...-W03	R412006370
	Block assembly kit AS2-MBR-...-W04	R412006371

Compressed air maintenance unit, series AS2-Metric

FR+L Maintenance unit AS2-ACT, 3-in-1, G 1/4 - G 3/8, ATEX approved

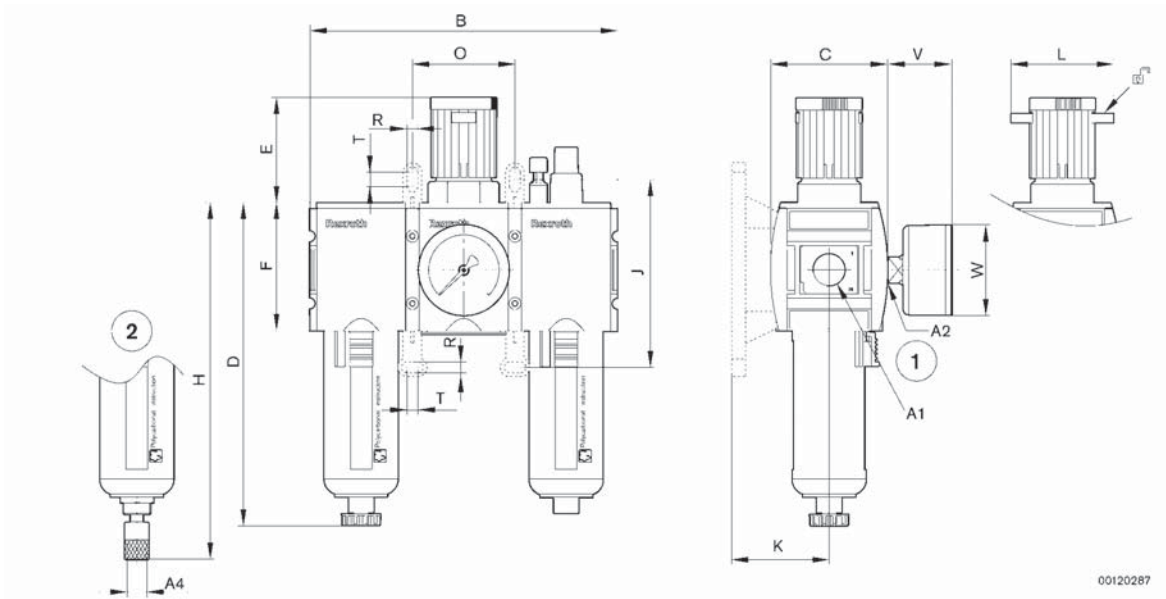
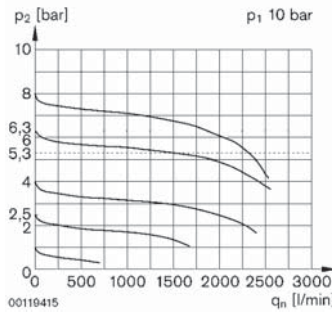


Lubrication activation margin



p_1 = Supply pressure; p_2 = Secondary pressure; q_n = Nominal flow;
 $q_{n \text{ min.}}$ = Min. nominal flow

Flow rate characteristic (setting range p_2 : 0.5 to 8 bar) (7 to 145 psi)



- 1) Semi-automatic condensate drain
- 2) Fully automatic condensate drain

A1	A2	A4	B	C	D	E	F	H	I	J	K	L	O	R	T	V	W
G 1/4	G 1/4	G 1/8	156	59	163,5	53,2	65	180,5	5,6	95	49,4	52	52	5,4	7,3	35	50
G 3/8	G 1/4	G 1/8	156	59	163,5	53,2	65	180,5	5,6	95	49,4	52	52	5,4	7,3	35	50

Compressed air maintenance unit, series AS2-Metric

Pressure regulator AS2-RGS, G 1/4 - G 3/8, ATEX approved



Technical Data

Type	Diaphragm-type pressure regulator with relief opening and reverse flow capability Regulator knob lockable	
Supply pressure	16 bar (232 psi)	
Secondary pressure	See table	
Nominal flow	See table	
Secondary pressure = 6.3 bar (91 psi) and $\Delta p = 1$ bar (15 psi)	Q_n	
Temperature range	-10° to +50 °C (14 °F to +122 °F) *	
Medium	Compressed air	
Weight	See table	
Installation position	any	
Materials	Body Thread insert	Polyamide, seals Buna-N(NBR) Die-cast zinc
ATEX	In zone 1 (gas-ex, category 2G) In zone 21 (dust-ex, category 2D) In zone 2 (gas-ex, category 3G) In zone 22 (dust-ex, category 3D)	



* with dried air

Part no.

Symbol	Threaded ports	Nominal flow Q_n [l/min](CFM)	Secondary pressure [bar](psi)	Weight [kg](lbs.)	Part no. with pressure gauge
	G 1/4	2200 (78)	0,1 - 1 (1 - 14)	0,320 (0.71)	R412006101
	G 1/4	2200 (78)	0,1 - 2 (1 - 29)	0,320 (0.71)	R412006103
	G 1/4	2200 (78)	0,2 - 4 (2 - 58)	0,320 (0.71)	R412006105
	G 1/4	2200 (78)	0,5 - 8 (7 - 116)	0,320 (0.71)	R412006107
	G 1/4	2200 (78)	0,5 - 10 (7 - 145)	0,320 (0.71)	R412006109
	G 1/4	2200 (78)	0,5 - 16 (7 - 232)	0,320 (0.71)	R412006111
	G 3/8	2700 (95)	0,1 - 1 (1 - 14)	0,320 (0.71)	R412006113
	G 3/8	2700 (95)	0,1 - 2 (1 - 29)	0,320 (0.71)	R412006115
	G 3/8	2700 (95)	0,2 - 4 (2 - 58)	0,320 (0.71)	R412006117
	G 3/8	2700 (95)	0,5 - 8 (7 - 116)	0,320 (0.71)	R412006119
	G 3/8	2700 (95)	0,5 - 10 (7 - 145)	0,320 (0.71)	R412006121
	G 3/8	2700 (95)	0,5 - 16 (7 - 232)	0,320 (0.71)	R412006123

Part no.

Symbol	Threaded ports	Nominal flow Q_n [l/min](CFM)	Secondary pressure [bar](psi)	Weight [kg](lbs.)	Part no. without pressure gauge
	G 1/4	2200 (78)	0,1 - 1 (1 - 14)	0,248 (0.55)	R412006100
	G 1/4	2200 (78)	0,1 - 2 (1 - 29)	0,248 (0.55)	R412006102
	G 1/4	2200 (78)	0,2 - 4 (2 - 58)	0,248 (0.55)	R412006104
	G 1/4	2200 (78)	0,5 - 8 (7 - 116)	0,248 (0.55)	R412006106
	G 1/4	2200 (78)	0,5 - 10 (7 - 145)	0,248 (0.55)	R412006108
	G 1/4	2200 (78)	0,5 - 16 (7 - 232)	0,248 (0.55)	R412006110
	G 3/8	2700 (95)	0,1 - 1 (1 - 14)	0,248 (0.55)	R412006112
	G 3/8	2700 (95)	0,1 - 2 (1 - 29)	0,248 (0.55)	R412006114
	G 3/8	2700 (95)	0,2 - 4 (2 - 58)	0,248 (0.55)	R412006116
	G 3/8	2700 (95)	0,5 - 8 (7 - 116)	0,248 (0.55)	R412006118
	G 3/8	2700 (95)	0,5 - 10 (7 - 145)	0,248 (0.55)	R412006120
	G 3/8	2700 (95)	0,5 - 16 (7 - 232)	0,248 (0.55)	R412006122

Accessories (to be ordered separately)

	Accessory	Part no.
	Pressure regulator valve seal kit	R961400030
	Mounting plate AS2-MBR-...-W01 (incl. 2 bolts)	R432031071
	Mounting strap AS2-MBR-...-W03	R412006370
	Block assembly kit AS2-MBR-...-W04	R412006371

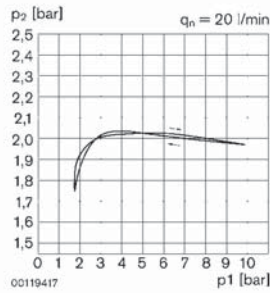
See accessories section for pressure gauges

Compressed air maintenance unit, series AS2-Metric

Pressure regulator AS2-RGS, G 1/4 - G 3/8, ATEX approved

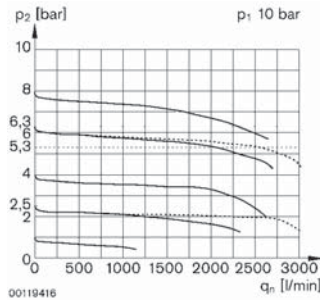


Pressure characteristics curve

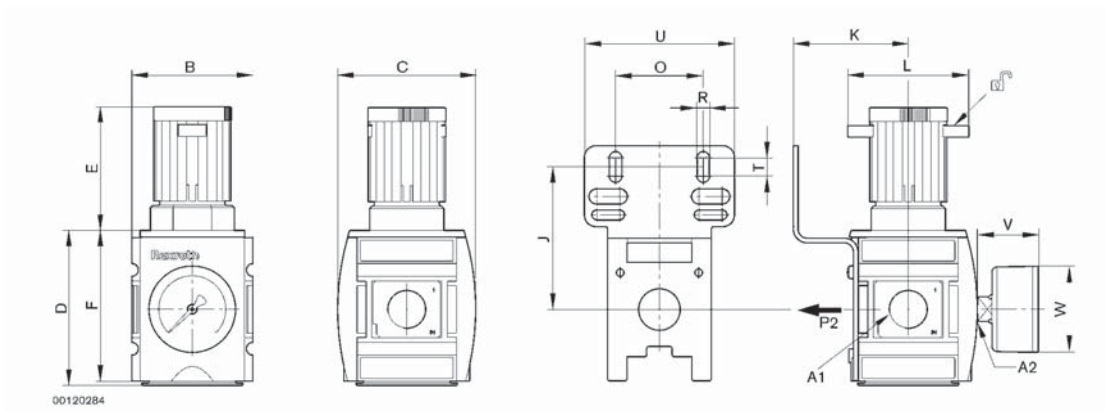


p_1 = Supply pressure; p_2 = Secondary pressure; q = Flow rate

Flow rate characteristic (setting range p_2 : 0.5 to 8 bar) (7 to 145 psi)



p_1 = Supply pressure; p_2 = Secondary pressure; q_n = Nominal flow



(mounting bracket not included, order separately)

A1	A2	B	C	D	E	F	J	K	L	O	R	T	U	V	W
G 1/4	G 1/4	52	59	66,8	57,9	65	61,8	49,4	52	38	5,4	10	65	35	50
G 3/8	G 1/4	52	59	66,8	57,9	65	61,8	49,4	52	38	5,4	10	65	35	50

Compressed air maintenance unit, series AS2-Metric

Pressure regulator AS2-RGS-...-DS, with continuous pressure supply,
G 1/4 - G 3/8, ATEX approved



Technical Data

Type	Diaphragm-type pressure regulator with relief opening and reverse flow capability Lockable regulator knob	
Supply pressure	16 bar (232 psi)	
Secondary pressure	See table	
Nominal flow Q_n	See table	
Secondary pressure = 6.3 bar (91 psi) and $\Delta p = 1$ bar (15 psi)		
Temperature range	-10° to +50 °C (14 °F to +122 °F) *	
Medium	Compressed air	
Weight	See table	
Installation position	Any	
Materials	Body Thread insert Cover	Polyamide, seals Buna-N(NBR) Die-cast zinc ABS
ATEX:	In zone 1 (gas-ex, category 2G) In zone 21 (dust-ex, category 2D) In zone 2 (gas-ex, category 3G) In zone 22 (dust-ex, category 3D)	

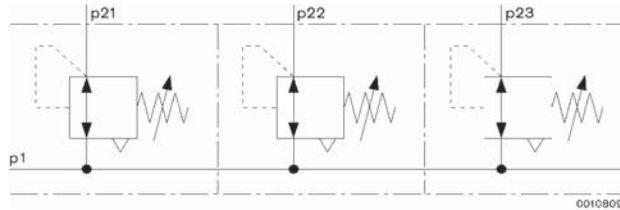


* with dried air

Possible to assemble multiple regulators providing continuous inlet pressure and individual regulated pressure outlets.

In the case of block assembly, only gauge with $\varnothing \leq 50$ can be used

Example of application



Part no.

Symbol	Threaded ports	Nominal flow Q_n [l/min](CFM)	Secondary pressure [bar](psi)	Weight [kg](lbs.)	Part no. without pressure gauge
	G 1/4	2200 (78)	0,1 - 1 (1 - 14)	0,248 (0.55)	R412006124
	G 1/4	2200 (78)	0,1 - 2 (1 - 29)	0,248 (0.55)	R412006125
	G 1/4	2200 (78)	0,2 - 4 (2 - 58)	0,248 (0.55)	R412006126
	G 1/4	2200 (78)	0,5 - 8 (7 - 116)	0,248 (0.55)	R412006127
	G 1/4	2200 (78)	0,5 - 10 (7 - 145)	0,248 (0.55)	R412006128
	G 1/4	2200 (78)	0,5 - 10 (7 - 232)	0,248 (0.55)	R412006129
	G 3/8	2700 (95)	0,1 - 1 (1 - 14)	0,248 (0.55)	R412006130
	G 3/8	2700 (95)	0,1 - 2 (1 - 29)	0,248 (0.55)	R412006131
	G 3/8	2700 (95)	0,2 - 4 (2 - 58)	0,248 (0.55)	R412006132
	G 3/8	2700 (95)	0,5 - 8 (7 - 116)	0,248 (0.55)	R412006133
	G 3/8	2700 (95)	0,5 - 10 (7 - 145)	0,248 (0.55)	R412006134
	G 3/8	2700 (95)	0,5 - 16 (7 - 232)	0,248 (0.55)	R412006135

Accessories (to be ordered separately)

Accessory	Part no.
Pressure regulator valve seal kit	R961400030
Mounting plate AS2-MBR-...-W01 (incl. 2 bolts)	R432031071
Mounting strap AS2-MBR-...-W03	R412006370
Block assembly kit AS2-MBR-...-W04	R412006371

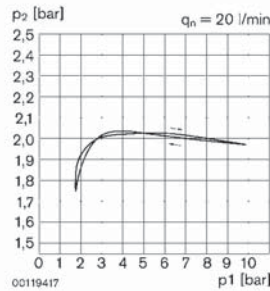
See accessories section for pressure gauges

Compressed air maintenance unit, series AS2-Metric

Pressure regulator AS2-RGS-...-DS, with continuous pressure supply,
G 1/4 - G 3/8, ATEX approved

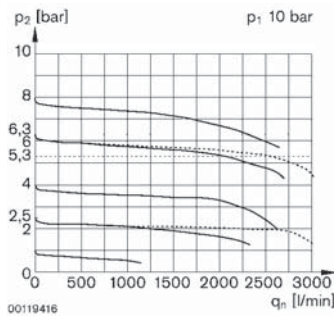


Pressure characteristics curve

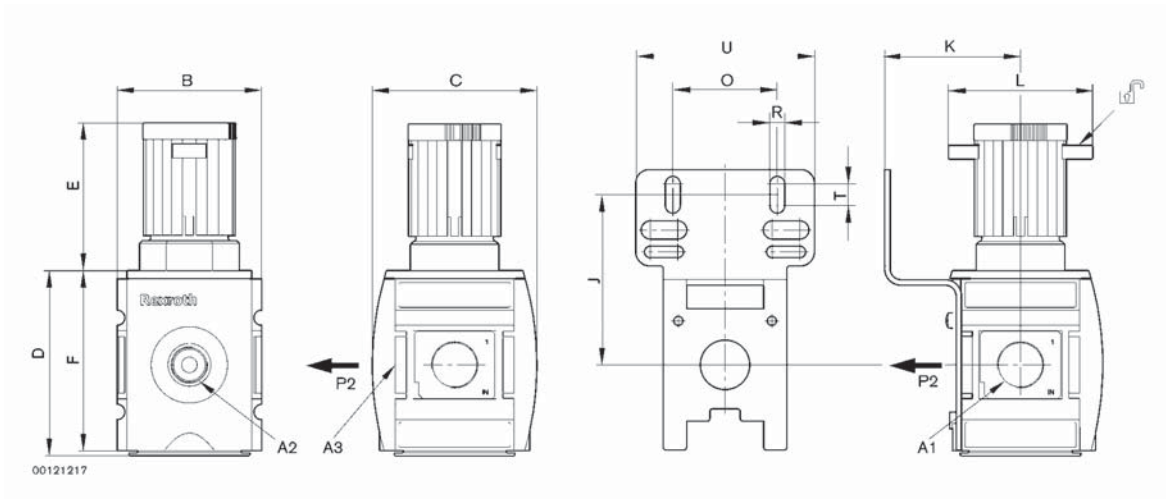


p_1 = Supply pressure; p_2 = Secondary pressure; q = Flow rate

Flow rate characteristic (setting range p_2 : 0.5 to 10 bar) (7 to 145 psi)



p_1 = Supply pressure; p_2 = Secondary pressure; q_n = Nominal flow



(mounting bracket not included, order separately)

p_2 = Secondary pressure

A1	A2	A3	B	C	D	E	F	J	K	L	O	R	T	U
G 1/4	G 1/4	G 1/4	52	59	66,8	57,9	65	61,8	49,4	52	38	5,4	10	65
G 3/8	G 1/4	G 1/4	52	59	66,8	57,9	65	61,8	49,4	52	38	5,4	10	65

Compressed air maintenance unit, series AS2-Metric

Precision pressure regulator AS2-RGP, G 1/4 - G 3/8, ATEX approved

AVENTICS®



Technical Data

Type	Diaphragm-type pressure regulator with relief opening and reverse flow capability Lockable regulator knob	
Supply pressure	16 bar (232 psi)	
Secondary pressure	See table	
Nominal flow	See table	
Secondary pressure = 6.3 bar (91 psi) and $\Delta p = 1$ bar (15 psi)	See table	
Temperature range	-10° to +50 °C (14 °F to +122 °F) *	
Medium	Compressed air	
Weight	See table	
Installation position	Any	
Materials	Body Thread insert Cover	Polyamide, seals Buna-N(NBR) Die-cast zinc ABS
ATEX:	In zone 1 (gas-ex, category 2G) In zone 21 (dust-ex, category 2D) In zone 2 (gas-ex, category 3G) In zone 22 (dust-ex, category 3D)	



* with dried air

Continuous air consumption = 2,6 NI / min (0.09 CFM), depends on secondary pressure p2 = 6 bar (87 psi)

Part no.

Symbol	Threaded ports	Nominal flow Q_n [l/min](CFM)	Secondary pressure [bar](psi)	Weight [kg](lbs.)	Part no. with pressure gauge
	G 1/4	2200 (78)	0,1 - 1 (1 - 14)	0,320 (0.71)	R412006137
	G 1/4	2200 (78)	0,1 - 2 (1 - 29)	0,320 (0.71)	R412006139
	G 1/4	2200 (78)	0,2 - 4 (2 - 58)	0,320 (0.71)	R412006141
	G 1/4	2200 (78)	0,5 - 8 (7 - 116)	0,320 (0.71)	R412006143
	G 1/4	2200 (78)	0,5 - 10 (7 - 145)	0,320 (0.71)	R412006145
	G 3/8	2700 (95)	0,1 - 1 (1 - 14)	0,320 (0.71)	R412006149
	G 3/8	2700 (95)	0,1 - 2 (1 - 29)	0,320 (0.71)	R412006151
	G 3/8	2700 (95)	0,2 - 4 (2 - 58)	0,320 (0.71)	R412006153
	G 3/8	2700 (95)	0,5 - 8 (7 - 116)	0,320 (0.71)	R412006155
	G 3/8	2700 (95)	0,5 - 10 (7 - 145)	0,320 (0.71)	R412006157

Part no.

Symbol	Threaded ports	Nominal flow Q_n [l/min](CFM)	Secondary pressure [bar](psi)	Weight [kg](lbs.)	Part no. without pressure gauge
	G 1/4	2200 (78)	0,1 - 1 (1 - 14)	0,248 (0.55)	R412006136
	G 1/4	2200 (78)	0,1 - 2 (1 - 29)	0,248 (0.55)	R412006138
	G 1/4	2200 (78)	0,2 - 4 (2 - 58)	0,248 (0.55)	R412006140
	G 1/4	2200 (78)	0,5 - 8 (7 - 116)	0,248 (0.55)	R412006142
	G 1/4	2200 (78)	0,5 - 10 (7 - 145)	0,248 (0.55)	R412006144
	G 3/8	2700 (95)	0,1 - 1 (1 - 14)	0,248 (0.55)	R412006148
	G 3/8	2700 (95)	0,1 - 2 (1 - 29)	0,248 (0.55)	R412006150
	G 3/8	2700 (95)	0,2 - 4 (2 - 58)	0,248 (0.55)	R412006152
	G 3/8	2700 (95)	0,5 - 8 (7 - 116)	0,248 (0.55)	R412006154
	G 3/8	2700 (95)	0,5 - 10 (7 - 145)	0,248 (0.55)	R412006156

Accessories (to be ordered separately)

	Accessory	Part no.
	Pressure regulator valve seal kit	R961400031
	Mounting plate AS2-MBR-...-W01	R432031071
	Mounting strap AS2-MBR-...-W03	R412006370
	Block assembly kit AS2-MBR-...-W04	R412006371

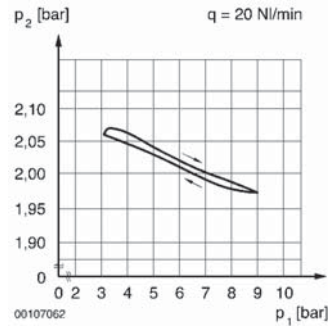
See accessories section for pressure gauges

Compressed air maintenance unit, series AS2-Metric

Precision pressure regulator AS2-RGP, G 1/4 - G 3/8, ATEX approved

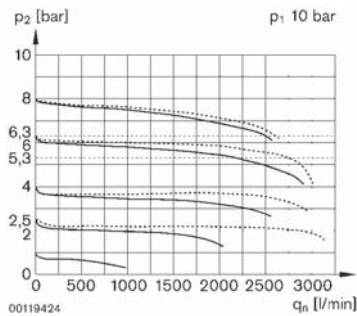


Pressure characteristics curve

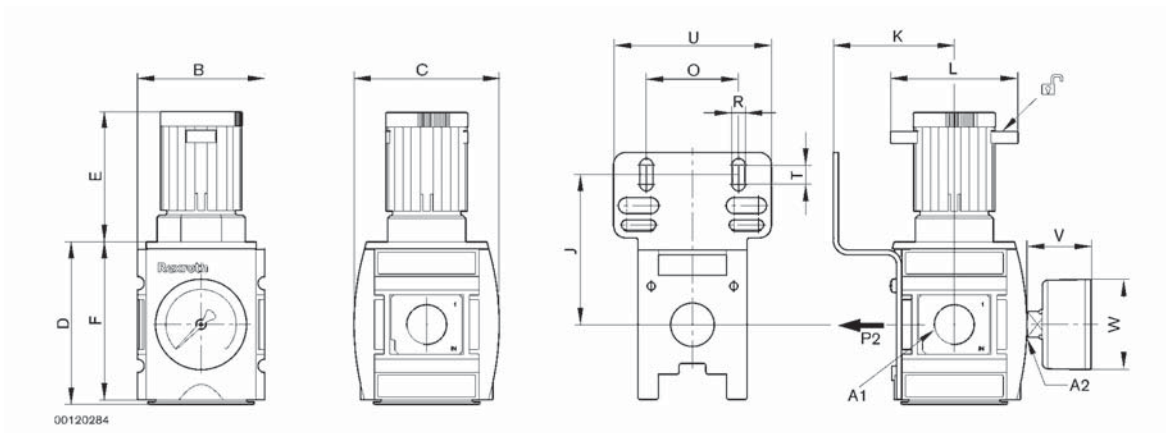


p_1 = Supply pressure; p_2 = Secondary pressure; q = Flow rate

Flow rate characteristic (setting range p_2 : 0.5 to 8 bar / 7 to 145 psi)



p_1 = Supply pressure; p_2 = Secondary pressure; q_n = Nominal flow



(mounting bracket not included, order separately)

A1	A2	B	C	D	E	F	J	K	L	O	R	T	U	V	W
G 1/4	G 1/4	52	59	66,8	53,2	65	61,8	49,4	52	38	5,4	10	65	35	50
G 3/8	G 1/4	52	59	66,8	53,2	65	61,8	49,4	52	38	5,4	10	65	35	50

Compressed air maintenance unit, series AS2-Metric

Precision pressure regulator AS2-RGP-...-DS, with continuous pressure supply, G 1/4 - G 3/8, ATEX approved



Technical Data

Type	Diaphragm-type pressure regulator with relief opening and reverse flow capability Lockable regulator knob	
Supply pressure	16 bar (232 psi)	
Secondary pressure	See table	
Nominal flow Q_n	See table	
Secondary pressure = 6.3 bar (91 psi) and $\Delta p = 1$ bar (15 psi)		
Temperature range	-10° to +50 °C (14 °F to +122 °F) *	
Medium	Compressed air	
Weight	See table	
Installation position	Any	
Materials	Body Thread insert Cover	Polyamide, seals Buna-N(NBR) Die-cast zinc ABS
ATEX:	In zone 1 (gas-ex, category 2G) In zone 21 (dust-ex, category 2D) In zone 2 (gas-ex, category 3G) In zone 22 (dust-ex, category 3D)	



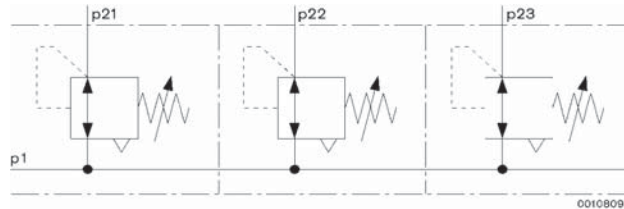
* with dried air

Continuous air consumption = 2.6 l / min (0.09 CFM), depends on secondary pressure $p_2 = 6$ bar (87 psi)

Possible to assemble multiple regulators providing continuous inlet pressure and individual regulated pressure outlets.

In the case of block assembly, only gauge with $\varnothing \leq 50$ can be used

Example of application



Part no.

Symbol	Threaded ports	Nominal flow Q_n [l/min](CFM)	Secondary pressure [bar](psi)	Weight [kg](lbs.)	Part no. without pressure gauge
	G 1/4	2200 (78)	0,1 - 1 (1 - 14)	0,248 (0.55)	R412006160
	G 1/4	2200 (78)	0,1 - 2 (1 - 29)	0,248 (0.55)	R412006161
	G 1/4	2200 (78)	0,2 - 4 (2 - 58)	0,248 (0.55)	R412006162
	G 1/4	2200 (78)	0,5 - 8 (7 - 116)	0,248 (0.55)	R412006163
	G 1/4	2200 (78)	0,5 - 10 (7 - 145)	0,248 (0.55)	R412006164
	G 3/8	2700 (95)	0,1 - 1 (1 - 14)	0,248 (0.55)	R412006166
	G 3/8	2700 (95)	0,1 - 2 (1 - 29)	0,248 (0.55)	R412006167
	G 3/8	2700 (95)	0,2 - 4 (2 - 58)	0,248 (0.55)	R412006168
	G 3/8	2700 (95)	0,5 - 8 (7 - 116)	0,248 (0.55)	R412006169
	G 3/8	2700 (95)	0,5 - 10 (7 - 145)	0,248 (0.55)	R412006170

Accessories (to be ordered separately)

	Accessory	Part no.
	Pressure regulator valve seal kit	R961400031
	Mounting plate AS2-MBR-...-W01	R432031071
	Mounting strap AS2-MBR-...-W03	R412006370
	Block assembly kit AS2-MBR-...-W04	R412006371

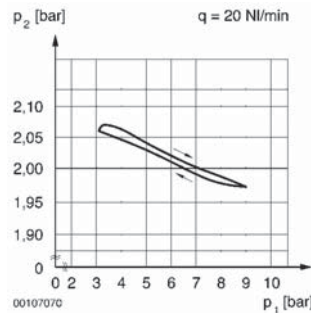
See accessories section for pressure gauges

Compressed air maintenance unit, series AS2-Metric

Precision pressure regulator AS2-RGP-...-DS, with continuous pressure supply, G 1/4 - G 3/8, ATEX approved

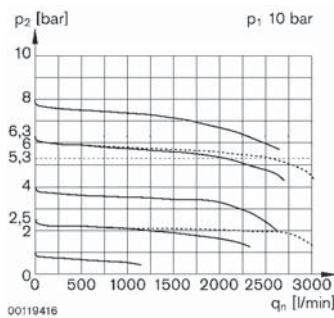


Pressure characteristics curve

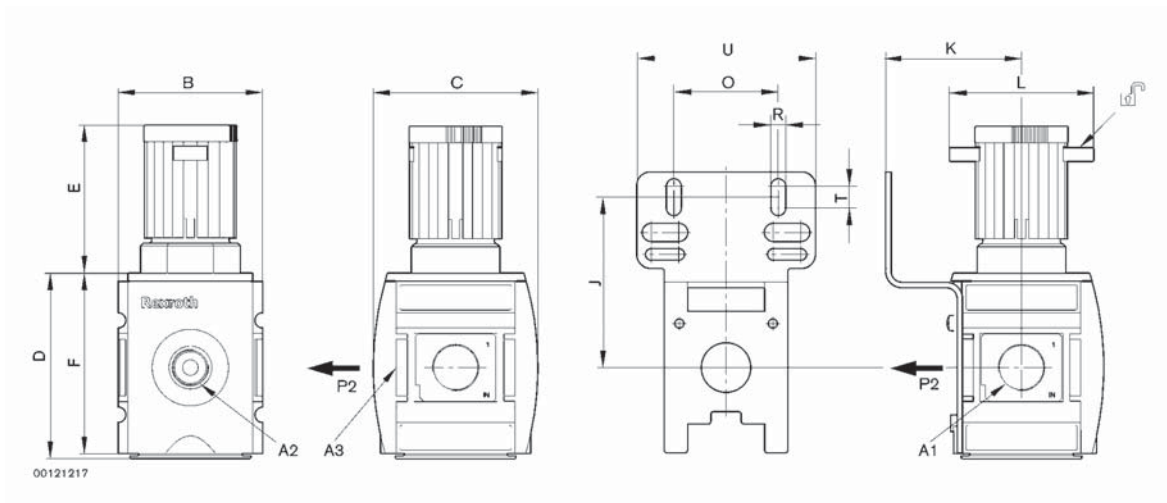


p_1 = Supply pressure; p_2 = Secondary pressure; q = Flow rate

Flow rate characteristic (setting range p_2 : 0.5 to 8 bar / 7 to 145 psi)



p_1 = Supply pressure; p_2 = Secondary pressure; q_n = Nominal flow



(mounting bracket not included, order separately)

p_2 = Secondary pressure

A1	A2	A3	B	C	D	E	F	J	K	L	O	R	T	U
G 1/4	G 1/4	G 1/4	52	59	66,8	53,2	65	61,8	49,4	52	38	5,4	10	65
G 3/8	G 1/4	G 1/4	52	59	66,8	53,2	65	61,8	49,4	52	38	5,4	10	65

Compressed air maintenance unit, series AS2-Metric

Filter regulator AS2-FRE, G 1/4 - G 3/8, ATEX approved



Technical Data

Type	Filter Pressure regulator	Filter element replaceable Diaphragm-type pressure regulator with relief opening and reverse flow capability Lockable regulator knob
Supply pressure	Condensate drain	semi-automatic: 0.5 - 16 bar (7 - 232 psi) fully automatic : 1.5 - 16 bar (21 - 232 psi)
Secondary pressure		See table
Nominal flow	Q _n	See table
Secondary pressure = 6,3 bar (91 psi) and Δp = 1 bar (15 psi)		
Ambient temperature		-10°C to +50 °C (14 °F to +122 °F) *
Medium		Compressed air
Weight		See table
Installation position		Vertical
Materials	Body Thread insert Reservoir Bowl guard Cover Filter element	Polyamide, seals Buna-N(NBR) Die-cast zinc Polycarbonate or die cast zinc, with bayonet catch Polyamide (polycarbonate bowls only) ABS Polyethylene
Reservoir capacity		28 cm ³ (with semi-automatic)
Filter porosity		5 μm
ATEX:	In zone 1 (gas-ex, category 2G) In zone 21 (dust-ex, category 2D) In zone 2 (gas-ex, category 3G) In zone 22 (dust-ex, category 3D)	



* with dried air

Filter for separating solid impurities up to 5 μm from compressed air and gases

For quality classes according to DIN ISO 8573-1

- Solid impurities: class 3

- Humidity - water content: class 8

Plastic containers may only be cleaned with water, soap suds, and other similar, neutral agents.

Note: All Series AS filter drains include a manual drain function as standard.

Part no.

Symbol	Threaded ports	Nominal flow Q _n [l/min] (CFM)	Secondary pressure [bar](psi)	Options	Weight [kg](lbs.)	Part no. with pressure gauge (Poly./Metal)
	G 1/4	2100 (74)	0,5 - 8 (7 - 116)	Polycarbonate w/guard or metal bowl, semi-automatic, w/out pressure: open	0,394 (0.87)	R412006200/R412006206
	G 1/4	2100 (74)	1,5 - 8 (21 - 116)	Polycarbonate w/guard or metal bowl, fully automatic, w/out pressure: open	0,437 (0.96)	R412006201/R412006207
	G 1/4	2100 (74)	0 - 8 (0 - 116)	Polycarbonate w/guard or metal bowl, fully automatic, w/out pressure: closed	0,437 (0.96)	R412006202/R412006208
	G 3/8	2600 (92)	0,5 - 8 (7 - 116)	Polycarbonate w/guard or metal bowl, semi-automatic, w/out pressure: open	0,437 (0.96)	R412006209/R412006215
	G 3/8	2600 (92)	1,5 - 8 (21 - 116)	Polycarbonate w/guard or metal bowl, fully automatic, w/out pressure: open	0,437 (0.96)	R412006210/R412006216
	G 3/8	2600 (92)	0 - 8 (0 - 116)	Polycarbonate w/guard or metal bowl, fully automatic, w/out pressure: closed	0,437 (0.96)	R412006211/R412006217

Part no.

Symbol	Threaded ports	Nominal flow Q _n [l/min] (CFM)	Secondary pressure [bar](psi)	Options	Weight [kg](lbs.)	Part no. without pressure gauge (Poly./Metal)
	G 1/4	2100 (74)	0,5 - 8 (7 - 116)	Polycarbonate w/guard or metal bowl, semi-automatic, w/out pressure: open	0,304 (0.67)	R412006175/R412006181
	G 1/4	2100 (74)	1,5 - 8 (21 - 116)	Polycarbonate w/guard or metal bowl, fully automatic, w/out pressure: open	0,347 (0.77)	R412006176/R412006182
	G 1/4	2100 (74)	0 - 8 (0 - 116)	Polycarbonate w/guard or metal bowl, fully automatic, w/out pressure: closed	0,347 (0.77)	R412006177/R412006183
	G 3/8	2600 (92)	0,5 - 8 (7 - 116)	Polycarbonate w/guard or metal bowl, semi-automatic, w/out pressure: open	0,347 (0.77)	R412006184/R412006190
	G 3/8	2600 (92)	1,5 - 8 (21 - 116)	Polycarbonate w/guard or metal bowl, fully automatic, w/out pressure: open	0,347 (0.77)	R412006185/R412006191
	G 3/8	2600 (92)	0 - 8 (0 - 116)	Polycarbonate w/guard or metal bowl, fully automatic, w/out pressure: closed	0,347 (0.77)	R412006186/R412006192

Compressed air maintenance unit, series AS2-Metric

Filter regulator AS2-FRE, G 1/4 - G 3/8, ATEX approved

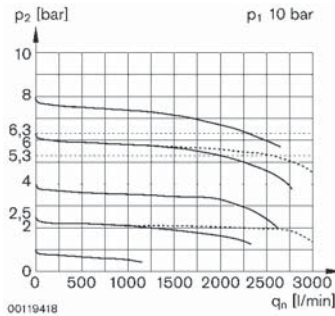


▲ Accessories (to be ordered separately)

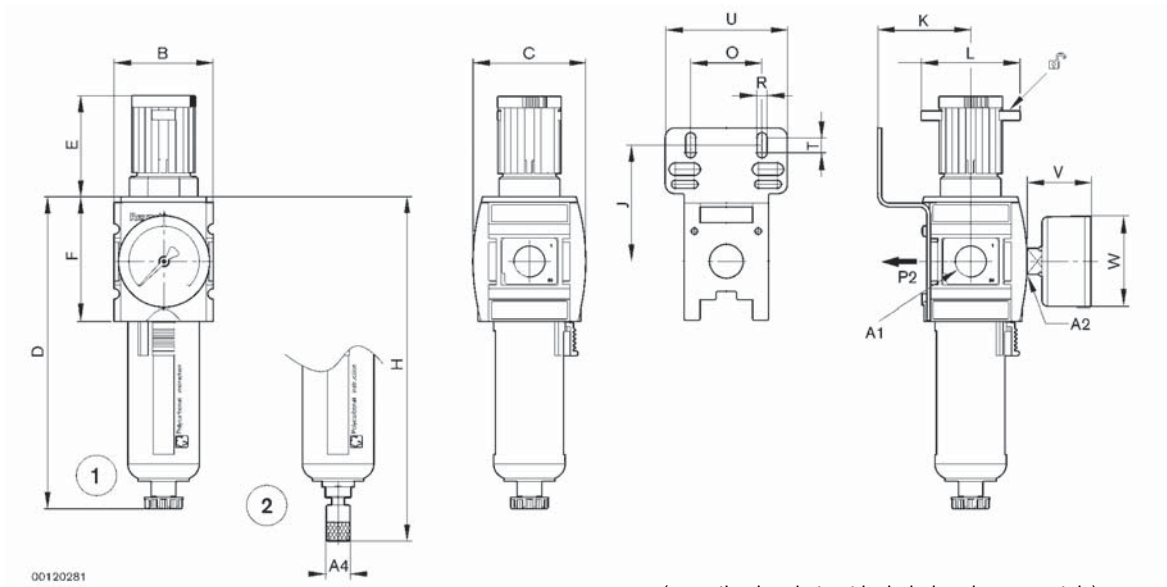
	Accessory	Part no.
	Filter element, 5 µm	1829207061
	Pressure regulator valve seal kit	R961400030
	Compression spring	R461400036
	Mounting plate AS2-MBR-...-W01	R432031071
	Mounting strap AS2-MBR-...-W03	R412006370
	Block assembly kit AS2-MBR-...-W04	R412006371

See accessories section for filter reservoirs

Pressure characteristics curve



p_1 = Supply pressure; p_2 = Secondary pressure; q_n = Nominal flow; q = Flow rate



(mounting bracket not included, order separately)

- 1) Semi-automatic condensate drain
- 2) Fully automatic condensate drain

A1	A2	A4	B	C	D	E	F	H	J	K	L	O	R	T	U	V	W
G 1/4	G 1/4	G 1/8	52	59	163,5	53,2	65	180,5	61,8	49,4	52	38	5,4	10	65	35	50
G 3/8	G 1/4	G 1/8	52	59	163,5	53,2	180,5	65	61,8	49,4	52	38	5,4	10	65	35	50

Compressed air maintenance unit, series AS2-Metric

Standard filter AS2-FLS, 5 micron, G 1/4 - G 3/8, ATEX approved



Technical Data

Type	Filter element replaceable	
Supply pressure	See table	
Ambient temperature	-10°C to +50 °C (14 °F to +122 °F) *	
Medium	Compressed air	
Weight	See table	
Installation position	vertical	
Materials	Body	Polyamide, seals Buna-N(NBR)
	Thread insert	Die-cast zinc
	Reservoir	Polycarbonate or die cast zinc, with bayonet catch
	Bowl guard	Polyamide (polycarbonate bowls only)
	Cover	ABS
	Filter element	Polyethylene
Reservoir capacity	28 cm ³ (0.95 U.S Fl. oz.)	
Filter porosity	5 µm	
ATEX:	In zone 1 (gas-ex, category 2G) In zone 21 (dust-ex, category 2D) In zone 2 (gas-ex, category 3G) In zone 22 (dust-ex, category 3D)	



* with dried air

Filter for separating solid impurities up to 5 µm from compressed air and gases

For quality classes according to DIN ISO 8573-1

- Solid impurities: class 3

- Humidity - water content: class 8

Optionally with a semi or fully automatic condensate drain

Condensate drain opened without pressure or closed without pressure.

Plastic containers may only be cleaned with water, soap suds, and other similar, neutral agents.

Note: All Series AS filter drains include a manual drain function as standard.

Part no.

Symbol	Threaded ports	Nominal flow Q _n [l/min] (CFM)	Supply pressure [bar](psi)	Options	Weight [kg](lbs.)	Part no. (Poly./Metal)
	G 1/4	2100 (74)	0,5 - 16 (7 - 232)	Polycarbonate w/guard or metal bowl, semi-automatic, w/out pressure: open	0,212 (0.47)	R412006000/R412006006
	G 1/4	2100 (74)	1,5 - 16 (21 - 232)	Polycarbonate w/guard or metal bowl, fully automatic, w/out pressure: open	0,255 (0.56)	R412006001/R412006007
	G 1/4	2100 (74)	0 - 16 (0 - 232)	Polycarbonate w/guard or metal bowl, fully automatic, w/out pressure: closed	0,255 (0.56)	R412006002/R412006008
	G 3/8	2400 (85)	0,5 - 16 (7 - 232)	Polycarbonate w/guard or metal bowl, semi-automatic, w/out pressure: open	0,212 (0.47)	R412006009/R412006015
	G 3/8	2400 (85)	1,5 - 16 (21 - 232)	Polycarbonate w/guard or metal bowl, fully automatic, w/out pressure: open	0,255 (0.56)	R412006010/R412006016
	G 3/8	2400 (85)	0 - 16 (0 - 232)	Polycarbonate w/guard or metal bowl, fully automatic, w/out pressure: closed	0,255 (0.56)	R412006011/R412006017

Nominal flow at inlet pressure 91 psi and 15 psi drop (P₁ = 6.3 bar, ΔP = 1 bar)

Accessories (to be ordered separately)

Accessory	Part no.
Filter element, 5 µm	1829207061
Mounting plate AS2-MBR-...-W01	R432031071
Mounting strap AS2-MBR-...-W03	R412006370
Block assembly kit AS2-MBR-...-W04	R412006371

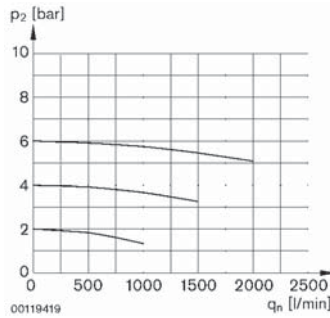
See accessories section for filter reservoirs

Compressed air maintenance unit, series AS2-Metric

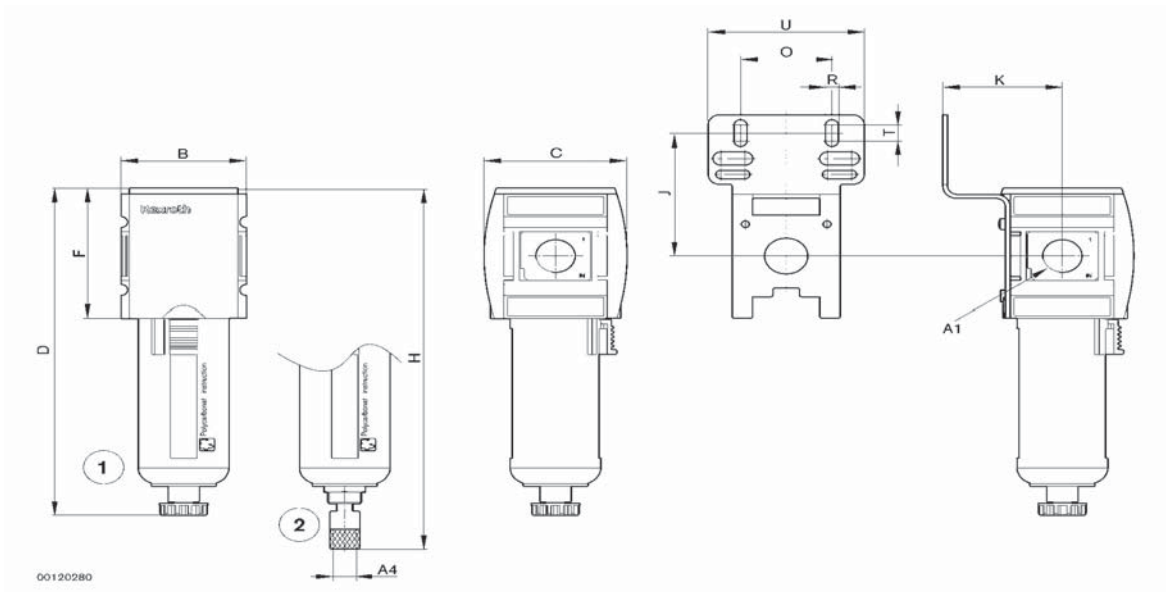
Standard filter AS2-FLS, 5 micron, G 1/4 - G 3/8, ATEX approved



Flow rate characteristic



p_1 = Supply pressure; p_2 = Secondary pressure; q_n = Nominal flow



(mounting bracket not included, order separately)

- 1) Semi-automatic condensate drain
- 2) Fully automatic condensate drain

A1	A4	B	C	D	F	H	J	K	O	R	T	U
G 1/4	G 1/8	52	59	163,5	65	180,5	61,8	49,4	38	5,4	10	65
G 3/8	G 1/8	52	59	163,5	65	180,5	61,8	49,4	38	5,4	10	65

Compressed air maintenance unit, series AS2-Metric

Pre-filter AS2-FLP, 0.3 micron, G 1/4 - G 3/8, ATEX approved



Technical Data

Type	Pre-filter element replaceable	
Supply pressure	See table	
Temperature range	-10°C to +50 °C (14 °F to +122 °F) *	
Medium	Compressed air	
Weight	See table	
Installation position	vertical	
Materials	Body	Polyamide, seals Buna-N(NBR)
	Thread insert	Die-cast zinc
	Reservoir	Polycarbonate or die cast zinc, with bayonet catch
	Bowl guard	Polyamide (polycarbonate bowls only)
	Cover	ABS
	Filter element	Polymer-impregnated paper
Reservoir capacity	12 cm ³ (0.4 U.S. Fl. oz.) (with semi-automatic)	
Filter porosity	0,3 µm	
ATEX:	In zone 1 (gas-ex, category 2G) In zone 21 (dust-ex, category 2D) In zone 2 (gas-ex, category 3G) In zone 22 (dust-ex, category 3D)	



* with dried air

Pre-filter for separating solid impurities up to 0.3 µm from compressed air and gases
The filter element should be exchanged if there is an increase of Δp by max. 0.35 bar (5 psi) or once a year.

Dust separation = 99.99 %

For quality classes according to DIN ISO 8573-1

- Solid impurities: class 2

- Humidity - water content: class 8

Plastic containers may only be cleaned with water, soap suds, and other similar, neutral agents.

Note: All Series AS filter drains include a manual drain function as standard.

Part no.

Symbol	Threaded ports	Nominal flow Q_n [l/min] (CFM)	Supply pressure [bar](psi)	Options	Weight [kg](lbs.)	Part no. (Poly./Metal)
	G 1/4	400 (14)	0,5 - 16 (7 - 232)	Polycarbonate w/guard or metal bowl, semi-automatic, w/out pressure: open	0,220 (0.49)	R412006018/R412006024
	G 1/4	400 (14)	1,5 - 16 (21 - 232)	Polycarbonate w/guard or metal bowl, fully automatic, w/out pressure: open	0,263 (0.58)	R412006019/R412006025
	G 1/4	400 (14)	0 - 16 (0 - 232)	Polycarbonate w/guard or metal bowl, fully automatic, w/out pressure: closed	0,263 (0.58)	R412006020/R412006026
	G 3/8	400 (14)	0,5 - 16 (7 - 232)	Polycarbonate w/guard or metal bowl, semi-automatic, w/out pressure: open	0,263 (0.58)	R412006027/R412006033
	G 3/8	400 (14)	1,5 - 16 (21 - 232)	Polycarbonate w/guard or metal bowl, fully automatic, w/out pressure: open	0,263 (0.58)	R412006028/R412006034
	G 3/8	400 (14)	0 - 16 (0 - 232)	Polycarbonate w/guard or metal bowl, fully automatic, w/out pressure: closed	0,263 (0.58)	R412006029/R412006035

Nominal flow at inlet pressure 91 psi and 1.5 psi drop ($P_1 = 6.3$ bar, $\Delta P = 0.1$ bar)

$$Q = Q_n \times f \quad (f = \text{Correction factor for various supply pressures } p_1)$$

		p1															
[bar]		1	2	3	4	5	6	7	8	9	10	11	12	13	14	15	16
[psi]		14	29	43	58	72	87	101	116	130	145	159	174	188	203	217	232
f		0,25	0,38	0,5	0,65	0,75	0,88	1	1,13	1,25	1,38	1,5	1,63	1,75	1,88	2	2,13

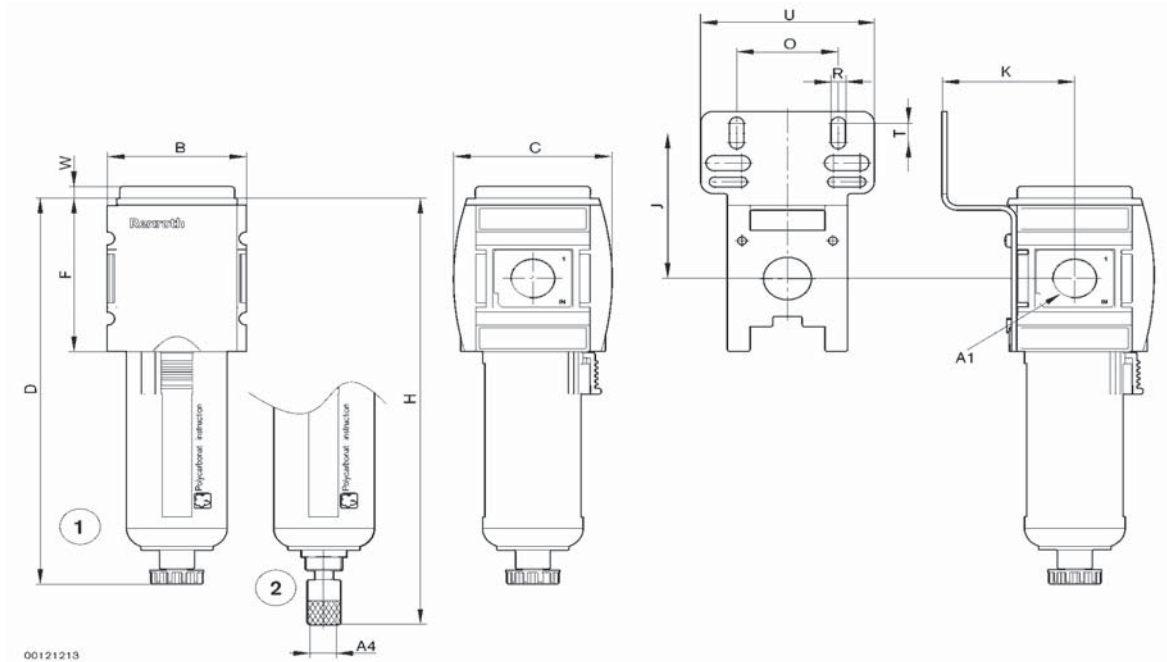
Accessories (to be ordered separately)

	Accessory	Part no.
	Filter element for automatic operation	1829207047
	Filter element for semi-automatic operation	R961400025
	Mounting plate AS2-MBR-...-W01	R432031071
	Mounting strap AS2-MBR-...-W03	R412006370
	Block assembly kit AS2-MBR-...-W04	R412006371

See accessories section for pre-filter reservoirs

Compressed air maintenance unit, series AS2-Metric

Pre-filter AS2-FLP, 0.3 micron, G 1/4 - G 3/8, ATEX approved



(mounting bracket not included, order separately)

- 1) Semi-automatic condensate drain
- 2) Fully automatic condensate drain

A1	A4	B	C	D	F	H	J	K	O	R	T	U	W
G 1/4	G 1/8	52	59	163,5	65	180,5	61,8	49,4	38	5,4	10	65	5
G 3/8	G 1/8	52	59	163,5	65	180,5	61,8	49,4	38	5,4	10	65	5

Compressed air maintenance unit, series AS2-Metric

Coalescing filter AS2-FLC, 0.01 micron, G 1/4 - G 3/8, ATEX approved



Technical Data

Type	Micro-filter element replaceable	
Supply pressure	See table	
Temperature range	-10 °C to +50 °C (14 °F to +122 °F) *	
Medium	Compressed air	
Weight	See table	
Installation position	vertical	
Materials	Body	Polyamide, seals Buna-N(NBR)
	Thread insert	Die-cast zinc
	Reservoir	Polycarbonate or die cast zinc, with bayonet catch
	Bowl guard	Polyamide (polycarbonate bowls only)
	Cover	ABS
	Filter element	Borsilicate glass fibre
Reservoir capacity	12 cm ³ (0.4 U.S. Fl. oz.)	
Filter porosity	0.01 µm	
ATEX:	In zone 1 (gas-ex, category 2G) In zone 21 (dust-ex, category 2D) In zone 2 (gas-ex, category 3G) In zone 22 (dust-ex, category 3D)	
Standard	NFE 49004	



* with dried air

Micro filter for the separation of oil, water and solid impurities of up to 0.01 µm from compressed air and gases

For quality classes according to DIN ISO 8573-1

- Solid impurities: class 1

- Oil content: class 1

The filter element must be replaced after a pressure rise Δp of max. 0,35 bar (5 psi) or once a year.

Filter is resistant to mineral oils and synthetic oils

Oil separation, residual oil content < 0.01 mg/m³ at t = 20 °C (68 °F) and p₁ = 7 bar (102 psi)

Plastic containers may only be cleaned with water, soap suds, and other similar, neutral agents.

Note: All Series AS filter drains include a manual drain function as standard.

Part no.

Symbol	Threaded ports	Nominal flow Q _n [l/min] (CFM) 1) 2)	Supply pressure [bar](psi)	Options	Weight [kg](lbs.)	Part no. (Poly./Metal) (*w/contam. display)
	G 1/4	300 (10.6)	0,5 - 16 (7 - 232)	Polycarbonate w/guard or metal bowl, with or w/o contamination display, semi-automatic, w/o pressure: open	0,220 (0.49)	R412006036/R412006042 R412006054*/R412006060*
	G 1/4	300 (10.6)	1,5 - 16 (21 - 232)	Polycarbonate w/guard or metal bowl, with or w/o contamination display, fully automatic, w/o pressure: open	0,263 (0.58)	R412006037/R412006043 R412006055*/R412006061*
	G 1/4	300 (10.6)	0 - 16 (0 - 232)	Polycarbonate w/guard or metal bowl, with or w/o contamination display, fully automatic, w/o pressure: closed	0,263 (0.58)	R412006038/R412006044 R412006056*/R412006062*
	G 3/8	300 (10.6)	0,5 - 16 (7 - 232)	Polycarbonate w/guard or metal bowl, with or w/o contamination display, semi-automatic, w/o pressure: open	0,220 (0.58)	R412006045/R412006051 R412006063*/R412006069*
	G 3/8	300 (10.6)	1,5 - 16 (21 - 232)	Polycarbonate w/guard or metal bowl, with or w/o contamination display, fully automatic, w/o pressure: open	0,263 (0.58)	R412006046/R412006052 R412006064*/R412006070*
	G 3/8	300 (10.6)	0 - 16 (0 - 232)	Polycarbonate w/guard or metal bowl, with or w/o contamination display, fully automatic, w/o pressure: closed	0,263 (0.58)	R412006047/R412006053 R412006065*/R412006071*

Nominal flow at inlet pressure 91 psi and 1.5 psi drop (P₁ = 6.3 bar, ΔP = 0.1 bar)

$$Q = Q_n \times f \quad (f = \text{Correction factor for various supply pressures } p_1)$$

[bar]	p ₁															
	1	2	3	4	5	6	7	8	9	10	11	12	13	14	15	16
[psi]	14	29	43	58	72	87	101	116	130	145	159	174	188	203	217	232
f	0,25	0,38	0,5	0,65	0,75	0,88	1	1,13	1,25	1,38	1,5	1,63	1,75	1,88	2	2,13

Compressed air maintenance unit, series AS2-Metric

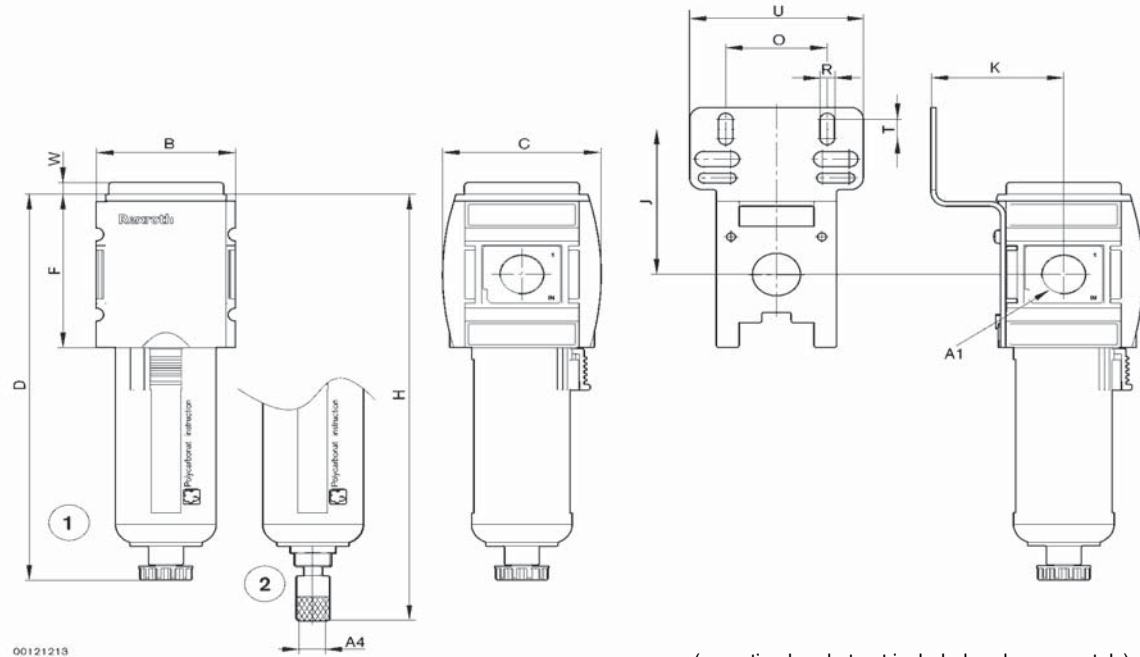
Coalescing filter AS2-FLC, 0.01 micron, G 1/4 - G 3/8, ATEX approved



▲ Accessories (to be ordered separately)

	Accessory	Part no.
	Filter element for fully automatic operation	R961400026
	Filter element for semi-automatic operation	R961400027
	Mounting plate AS2-MBR-...-W01	R432031071
	Mounting strap AS2-MBR-...-W03	R412006370
	Block assembly kit AS2-MBR-...-W04	R412006371

See accessories section for microfilter reservoirs



(mounting bracket not included, order separately)

- 1) Semi-automatic condensate drain
- 2) Fully automatic condensate drain

A1	A4	B	C	D	F	H	J	K	O	R	T	U	W
G 1/4	G 1/8	52	59	163,5	65	180,5	61,8	49,4	38	5,4	10	65	5
G 3/8	G 1/8	52	59	163,5	65	180,5	61,8	49,4	38	5,4	10	65	5

Compressed air maintenance unit, series AS2-Metric

Active carbon filter AS2-FLA, G 1/4 - G 3/8, ATEX approved



Technical Data

Type	Filter element replaceable	
Supply pressure	See table	
Temperature range	-10 °C to +50 °C (14 °F to +122 °F) *	
Medium	Compressed air	
Weight	See table	
Installation position	vertical	
Materials	Body Thread insert Reservoir Bowl guard Filter element Cover	Polyamide, seals Buna-N(NBR) Die-cast zinc Polycarbonate or die cast zinc, with bayonet catch Polyamide (polycarbonate bowls only) Active carbon ABS
Reservoir capacity	12 cm ³ (0.4 U.S Fl. oz.)	
ATEX:	In zone 1 (gas-ex, category 2G) In zone 21 (dust-ex, category 2D) In zone 2 (gas-ex, category 3G) In zone 22 (dust-ex, category 3D)	



* with dried air

Active carbon filter for absorption of oil vapor in compressed air and gases

For quality classes according to DIN ISO 8573-1

- Solid impurities: class 3

- Humidity - water content: class 8

- Oil content: class 1

Oil separation, residual oil content < 0.005 mg/m³ at t = 20 °C (68 °F) and p1 = 7 bar (102 psi)

A micro filter must be connected upstream as a prefilter

Part no.

Symbol	Threaded ports	Nominal flow Q _n [l/min](CFM)	Supply pressure [bar](psi)	Weight [kg](lbs.)	Part no. (Poly./Metal)
	G 1/4	650 (23)	0 - 16 (0 - 232)	0,220 (0.49)	R412006072/R412006074
	G 3/8	650 (23)	0 - 16 (0 - 232)	0,220 (0.49)	R412006075/R412006077

Nominal flow at inlet pressure 91 psi and 1.5 psi drop (P₁ = 6.3 bar, ΔP = 0.1 bar)

Q = Q_n x f (f = Correction factor for various supply pressures p1)

[bar]	p1															
	1	2	3	4	5	6	7	8	9	10	11	12	13	14	15	16
[psi]	14	29	43	58	72	87	101	116	130	145	159	174	188	203	217	232
f	0,25	0,38	0,5	0,65	0,75	0,88	1	1,13	1,25	1,38	1,5	1,63	1,75	1,88	2	2,13

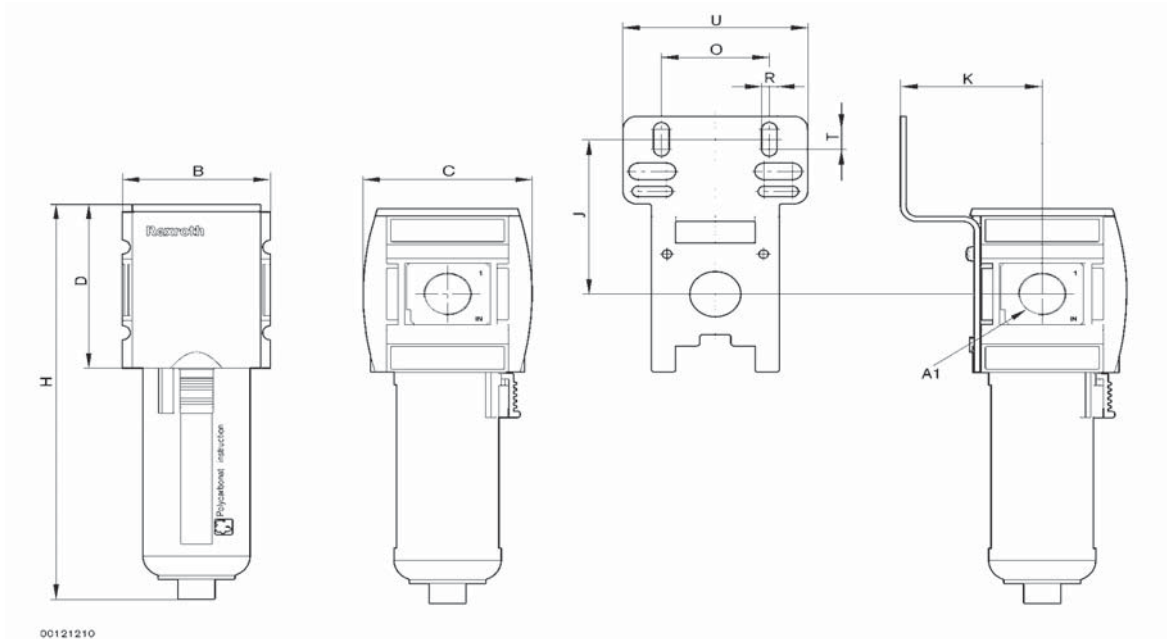
Accessories (to be ordered separately)

Accessory	Part no.	
	Active carbon filter reservoir AS2-CLA, metal (no glass)	R412006349
	Active carbon filter reservoir AS2-CLA (polymer)	R412006347
	Active carbon filter element	1829207044
	Mounting plate AS2-MBR-...-W01	R432031071
	Mounting strap AS2-MBR-...-W03	R412006370
Block assembly kit AS2-MBR-...-W04	R412006371	

* see accessories

Compressed air maintenance unit, series AS2-Metric

Active carbon filter AS2-FLA, G 1/4 - G 3/8, ATEX approved



(mounting bracket not included, order separately)

A1	B	C	D	H	J	K	O	R	T	U
G 1/4	52	59	65	157	61,8	49,5	38	5,4	10	65
G 3/8	52	59	65	157	61,8	49,5	38	5,4	10	65

Compressed air maintenance unit, series AS2-Metric

Lubricator, oil-drop AS2-LBS, with semi-automatic oil filling, G 1/4 - G 3/8, ATEX approved



Technical Data

Type	Inspection glass with slotted screw for oil metering Can be filled with oil during operation	
Supply pressure	See table	
Temperature range	-10 °C to +50 °C (14 °F to +122 °F) *	
Medium	Compressed air	
Weight	See table	
Installation position	vertical	
Materials	Body Thread insert Reservoir Bowl guard Seal	Polyamide, seals Buna-N(NBR) Die-cast zinc Polycarbonate or die cast zinc, with bayonet catch Polyamide (polycarbonate bowls only) ABS
Reservoir capacity	40 cm ³ (1.69 U.S. Fl. oz.)	
ATEX:	In zone 1 (gas-ex, category 2G) In zone 21 (dust-ex, category 2D) In zone 2 (gas-ex, category 3G) In zone 22 (dust-ex, category 3D)	



* with dried air

Oil type: HL 68 (DIN 51 524 - ISO VG 68)

Standard values for oil metering: 1-2 drops / min at a nominal flow rate of $Q_n = 1000 \text{ l / min}$ (35.30 CFM)

Plastic containers may only be cleaned with water, soap suds, and other similar, neutral agents.

The unit is equipped with a semi-automatic oil filling mechanism (standard). A threaded connector located in the lower section of the container can be used to connect a hose to the oil tank.

Pressing the top button opens a Venturi nozzle that provides a vacuum in the upper section of the container. This draws the oil into the container.

Part no.

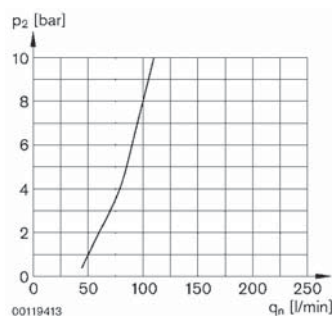
Symbol	Threaded ports	Nominal flow Q_n [l/min] (CFM)	Supply pressure [bar] (psi)	Options	Weight [kg] (lbs.)	Part no. (Poly./Metal)
	G 1/4	2800 (99)	0,5 - 16 (7 - 232)	Polycarbonate w/guard or metal bowl **Ready for level sensor (non ATEX)	0,229 (0.5)	R412006225/R412006229 R412006226/Not available
	G 3/8	3100 (109)	0,5 - 16 (7 - 232)	Polycarbonate w/guard or metal bowl **Ready for level sensor (non ATEX)	0,229 (0.5)	R412006231/R412006235 R412006232/Not available

Nominal flow at inlet pressure 91 psi and 15 psi drop ($P_1 = 6.3 \text{ bar}$, $\Delta P = 1 \text{ bar}$)

Accessories (to be ordered separately)

Accessory	Part no.
Lubricator reservoir AS2-CBS, metal (w/sight glass) Lubricator reservoir AS2-CBS (polycarbonate) Lubricator metering set, polycarbonate	R412006358 R412006352 R961400032
Mounting plate AS2-MBR-...-W01 Mounting strap AS2-MBR-...-W03 Block assembly kit AS2-MBR-...-W04 **For low oil level sensor options, see Accessories Section	R432031071 R412006370 R412006371

Lubrication activation margin



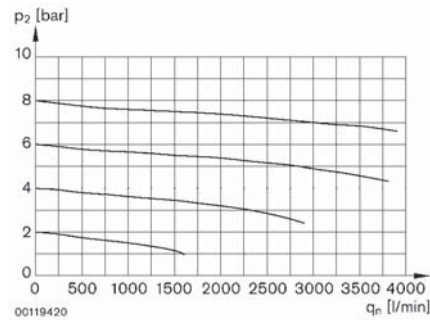
p_2 = Secondary pressure; $q_{n, \text{min}}$ = Min. nominal flow

Compressed air maintenance unit, series AS2-Metric

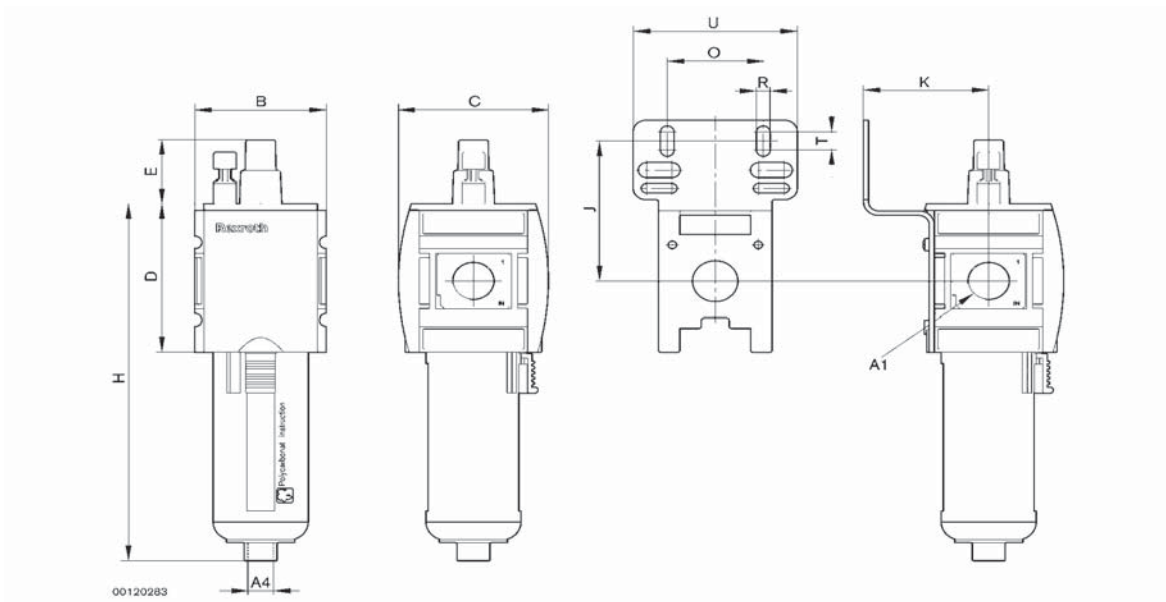
Lubricator, oil-drop AS2-LBS, with semi-automatic oil filling, G 1/4 - G 3/8, ATEX approved



Flow rate characteristic



p_1 = Supply pressure; p_2 = Secondary pressure; q_n = Nominal flow



(mounting bracket not included, order separately)

A1	A4	B	C	D	E	H	J	K	O	R	T	U
G 1/4	G 1/8	52	59	65	28,2	157	61,8	49,4	38	5,4	10	65
G 3/8	G 1/8	52	59	65	28,2	157	61,8	49,4	38	5,4	10	65

Compressed air maintenance unit, series AS2-Metric

3/2 directional-control valve AS2-SOV, electrically operated, G 1/4 - G 3/8

AVENTICS[®]



Technical Data

Type	Poppet valve
Working pressure	2.5 to 10 bar (36 to 145 psi)
Nominal flow Qn	see table
Secondary pressure	6,3 bar (91psi) and $\Delta p=1$ bar (15 psi)
Ambient temperature	-10 °C to +50 °C (14 °F to +122 °F) *
Medium	Compressed air
Weight	see table
Pickup power with AC 50 Hz	2,2 VA
Holding power with AC 50 Hz	1,6 VA
Power consumption with DC	2 W
Relative switch-on duration	100 %
Protection class (DIN 40 050) with connector	IP 65 (NEMA4)
Installation position:	any
Materials (body)	Polyamide, seals Buna-N(NBR)
Thread bushing	Die-cast zinc
Cover	ABS



* with dried air

Version:

Cut-off and sequencing valve with unrestricted cross-section.
Two switch positions: a) Basic position: input closed, output ventilated; b) Operated: input and output connected, exhaust closed.
Connection via electrical connector shape C, DIN 43 650.
Please observe note regarding compressed air preparation!

	Thread connection [psi]	Operational voltage	Qn l/min [CFM]	Operating pressure	Weight kg [lbs]	Notes	Part No.
	G 1/4	-	-	-	0.219 (0.48)	1	R412006264
	G 1/4	-	-	-	0.219 (0.48)	2	R412006258
	G 1/4	24VDC $\pm 10\%$	2000 (71)	36 ... 145	0.219 (0.48)	3	R412006265
	G 1/4	110VAC 50/60Hz	-	-	0.219 (0.48)	3	R412006266
	G 1/4	240VAC 50/60Hz	-	-	0.219 (0.48)	3	R412006267
	G 3/8	-	-	-	0.219 (0.48)	1	R412006268
	G 3/8	-	-	-	0.219 (0.48)	2	R412006259
	G 3/8	24VDC $\pm 10\%$	2000 (71)	36 ... 145	0.219 (0.48)	3	R412006269
	G 3/8	110VAC 50/60Hz	-	-	0.219 (0.48)	3	R412006270
	G 3/8	240VAC 50/60Hz	-	-	0.219 (0.48)	3	R412006271

- 1) without DO16 pilot valve 2) with CNOMO interface, without pilot valve
3) with DO16 pilot valve (use electrical connector DIN Form C, series CN1)

Accessories (to be ordered separately)

	Accessory	Part no.
	Silencer: sintered bronze (short)	1827000033
	Silencer: sintered bronze (long)	R412004817
	Connector, shape C, DIN 43 650	1834484187
	Mounting strap AS2-MBR-...-W03	R412006370
	Mounting plate AS2-MBR-...-W01 (incl. 2 screws)	R432031071
	Block assembly kit AS2-MBR-...-W04	R412006371

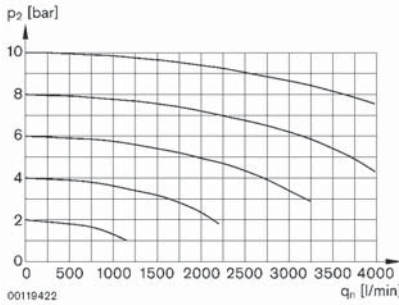
See online catalog, DO16 series for pilot valves

Compressed air maintenance unit, series AS2-Metric

3/2 directional-control valve AS2-SOV, electrically operated, G 1/4 - G 3/8

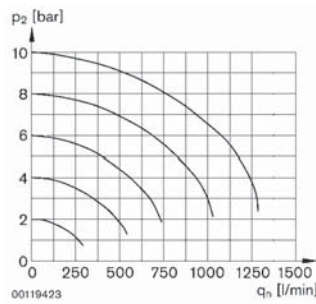


Flow rate characteristic



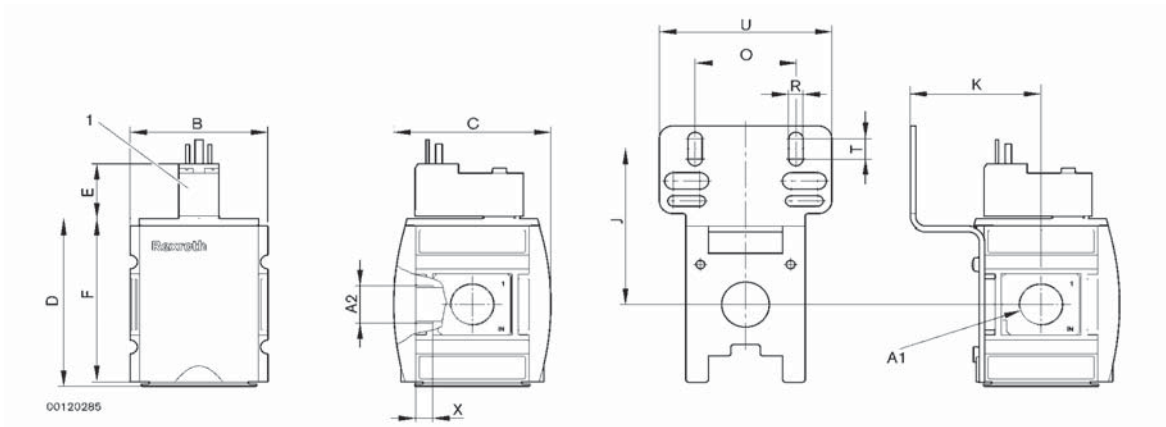
p2 = secondary pressure
qn = nominal flow

Rear exhaust



p2 = secondary pressure
qn = nominal flow

Drawing



(mounting bracket not included, order separately)

1) Pilot valve

A1	A2 *	B	C	D	E	F	J	K	O	R	T	U	X
G 1/4	G 1/4	52	59	66,8	21,9	65	61,8	49,4	38	5,4	10	65	10
G 3/8	G 1/4	52	59	66,8	21,9	65	61,8	49,4	38	5,4	10	65	10

* Exhaust

Compressed air maintenance unit, series AS2-Metric

3/2 directional-control valve AS2-SOV, pneumatically operated, G 1/4 - G 3/8, ATEX approved



Technical Data

Type		Poppet valve
Working pressure		2.5 to 10 bar (36 to 145 psi)
Nominal flow	Q_n	see table
Secondary pressure		6,3 bar (91 psi) and $\Delta p = 1$ bar (15 psi)
Ambient temperature		-10 °C to +50 °C (14 °F to +122 °F) *
Medium		Compressed air
Weight		see table
Installation position		any

Materials (body)	Polyamide, seals Buna-N(NBR)
Thread bushing	Die-cast zinc
Cover	ABS

ATEX:	In zone 1 (gas-ex, category 2G) In zone 21 (dust-ex, category 2D) In zone 2 (gas-ex, category 3G) In zone 22 (dust-ex, category 3D)
-------	--

* with dried air

Version:

Cut-off and sequencing valve with unrestricted cross-section.

Two switch positions: a) Basic position: input closed, output ventilated; b) Operated: input and output connected, exhaust closed.

Please observe note regarding compressed air preparation!



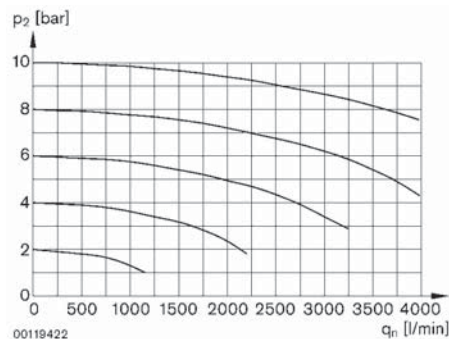
Part no.

Symbol	Threaded ports	Nominal flow Q_n [l / min](CFM)	With options	Weight [kg](lbs.)	Part no.
	G 1/4	2000 (71)	Change-over valve / shut-off valve pneumatically operated	0,219 (0.49)	R412006262
	G 3/8	2000 (71)	Change-over valve / shut-off valve pneumatically operated	0,219 (0.49)	R412006263

Accessories (to be ordered separately)

	Accessory	Part no.
	Silencer: sintered bronze (short)	R412004817
	Mounting strap AS2-MBR-...-W03	R412006370
	Mounting plate AS2-MBR-...-W01	R432031071
	Block assembly kit AS2-MBR-...-W04	R412006371

Flow rate characteristic



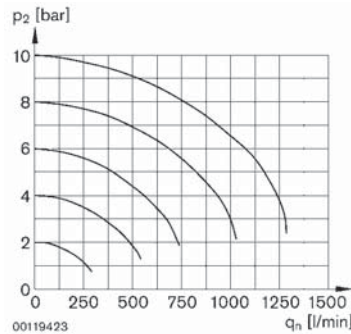
p_2 = secondary pressure
 q_n = nominal flow

Compressed air maintenance unit, series AS2-Metric

3/2 directional-control valve AS2-SOV, pneumatically operated, G 1/4 - G 3/8, ATEX approved

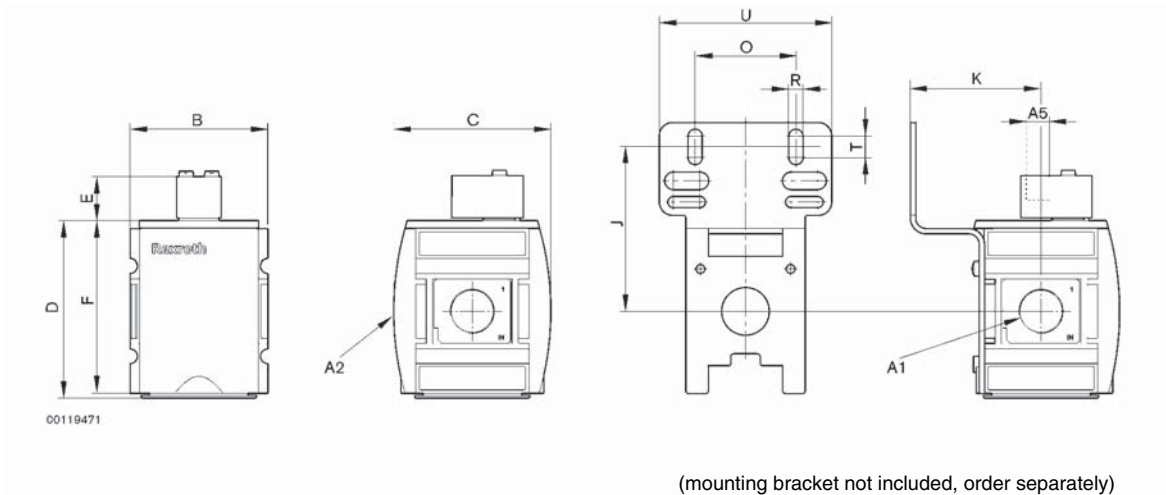


Rear exhaust



p_2 = secondary pressure
 q_n = nominal flow

Drawing



A1	A2 *	A5	B	C	D	E	F	J	K	O	R	T	U	X
G 1/4	G 1/4	G 1/8	52	59	66,8	17	65	61,8	49,4	38	5,4	10	65	10
G 3/8	G 1/4	G 1/8	52	59	66,8	17	65	61,8	49,4	38	5,4	10	65	10

* Exhaust

Compressed air maintenance unit, series AS2-Metric

3/2-way shut-off valve (ball valve) AS2-BAV, mechanically operated, lockable option,
G 1/4 - G 3/8, ATEX approved



Technical Data

Type	3/2 directional-control valve, operated by a knob, 3-fold lockable	
Nominal flow	See table	
Secondary pressure = 6,3 bar (91 psi) and Δp = 1 bar (15 psi)		
Ambient temperature	-10°C to +50 °C (14 °F to +122 °F) *	
Medium	Compressed air	
Weight	See table	
Installation position	any	
Materials	Body	Polyamide, seals Buna-N(NBR)
	Thread bushing	Die-cast zinc
	Cover	ABS
	Lockable slide plate	Zinc plated steel
ATEX:	In zone 1 (gas-ex, category 2G) In zone 21 (dust-ex, category 2D) In zone 2 (gas-ex, category 3G) In zone 22 (dust-ex, category 3D)	



* with dried air

Knob, can be turned 90° (Open-Closed) and can be locked in the closed position with a padlock
Knob with switch position display: crosswise: inlet closed, outlet to exhaust; lengthways: inlet and outlet connected, air exhaust closed

Exhaust air can be collected (G1/4)

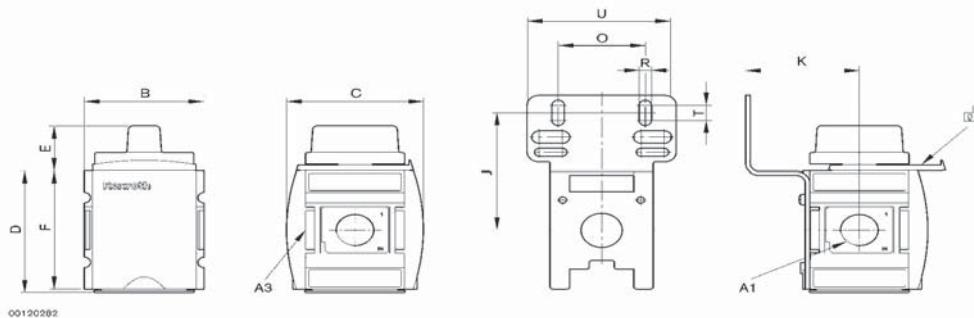
Air exhaust from connection A to R: nominal size 1.5

Part no.

Symbol	Threaded ports	Nominal flow Q _n [l/min] (CFM)	Weight [kg](lbs.)	Part no.
	G 1/4	2000 (71)	0,206 (0.45)	R412006256 (lockable) R412006252 (non-locking)
	G 3/8	2000 (71)	0,206 (0.45)	R412006257 (lockable) R412006253 (non-locking)

Accessories (to be ordered separately)

	Accessories	Part no.
	Pneumatic silencer (short)	R412004817
	Mounting plate AS2-MBR-...-W01	R432031071
	Block assembly kit AS2-MBR-...-W04	R412006371
	Mounting strap AS2-MBR-...-W03	R412006370



(mounting bracket not included, order separately)

A1	A3	B	C	D	E	F	J	K	O	R	T	U
G 1/4	G 1/4	52	59	63,8	23,5	62	61,8	49,4	38	5,4	10	65
G 3/8	G 1/4	52	59	63,8	23,5	62	61,8	49,4	38	5,4	10	65

Compressed air maintenance unit, series AS2-Metric

Filling valve (soft start) AS2-SSV, G 1/4 - G 3/8, ATEX approved



Technical Data

Type	Poppet valve	
Operating pressure	2.5 to 16 bar (36 to 232 psi)	
Nominal flow	Q _n	see table
Secondary pressure	6,3 bar (91 psi) and Δp = 1 bar (15 psi)	
Ambient temperature	-10°C to +50 °C (14 °F to +122 °F) *	
Medium	Compressed air	
Weight	see table	
Installation position	any	
Materials (body)	Polyamide, seals Buna-N(NBR)	
Threaded bushing	Die-cast zinc	
Cover	ABS	
ATEX:	In zone 1 (gas-ex, category 2G) In zone 21 (dust-ex, category 2D) In zone 2 (gas-ex, category 3G) In zone 22 (dust-ex, category 3D)	



* with dried air

Version:

Opening pressure: approx. 50% of input pressure

Actuating method: via secondary pressure

Only for closed systems

Please observe note regarding compressed air preparation!

Additionally technical data: see 3/2 directional-control valve AS 2 and filling valve AS 2

Slowly builds up the pressure in pneumatic installations, i.e. prevents sudden pressure build-up after a restart following mains pressure failure or EMERGENCY OFF, thus preventing dangerous, sudden cylinder movements.

Part no.

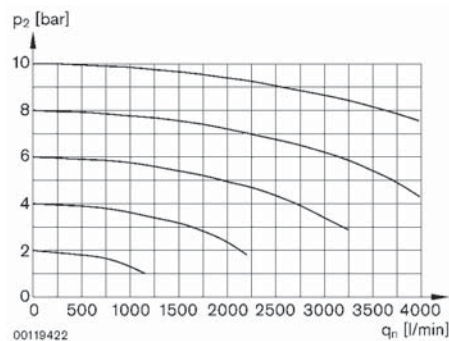
Symbol	Threaded ports	Nominal flow Q _n [l / min](CFM)**	With options	Weight [kg](lbs.)	Part no.
	G 1/4	2000 (71)	Filling adjustable	0,203 (0.45)	R412006272
	G 3/8	2000 (71)	Filling adjustable	0,203 (0.45)	R412006273

** Flow at 116 PSI inlet, 102 PSI outlet

Accessories (to be ordered separately)

	Accessory	Part no.
	Mounting plate AS2-MBR-...-W01	R432031071
	Mounting strap AS2-MBR-...-W03	R412006370
	Block assembly kit AS2-MBR-...-W04	R412006371

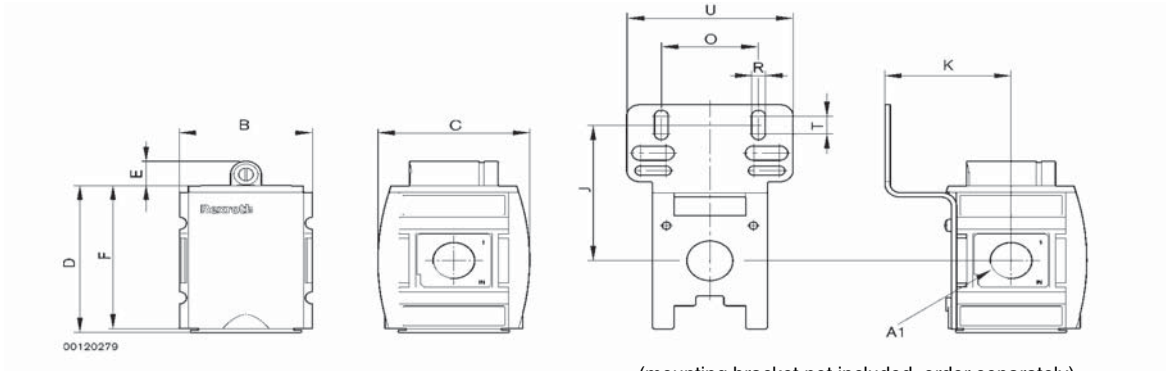
Flow rate characteristic



p₂ = secondary pressure
q_n = nominal flow

Compressed air maintenance unit, series AS2-Metric

Filling valve (soft start) AS2-SSV, G 1/4 - G 3/8, ATEX approved



(mounting bracket not included, order separately)

A1	B	C	D	E	F	J	K	O	R	T	U
G 1/4	52	59	66,8	11,2	65	61,8	49,4	38	5,4	10	65
G 3/8	52	59	66,8	11,2	65	61,8	49,4	38	5,4	10	65

Compressed air maintenance unit, series AS2-Metric

Distributor block AS2-DIS, 3-way, G 1/4 - G 3/8, ATEX approved



Technical Data

Nominal flow Q_n	See table
Secondary pressure = 6,3 bar (91 psi) and $\Delta p = 1$ bar (15 psi)	
Ambient temperature range	-10 °C to +50 °C (14 °F to +122 °F) *
Medium	Compressed air
Weight	See table
Installation position	any

Materials	Body Threaded insert Cover	Polyamide, seals Buna-N(NBR) Zn-die cast ABS
-----------	----------------------------------	--

ATEX:	In zone 1 (gas-ex, category 2G) In zone 21 (dust-ex, category 2D) In zone 2 (gas-ex, category 3G) In zone 22 (dust-ex, category 3D)
-------	--



Suitable for flange assembly of a mechanical vacuum/pressure switch

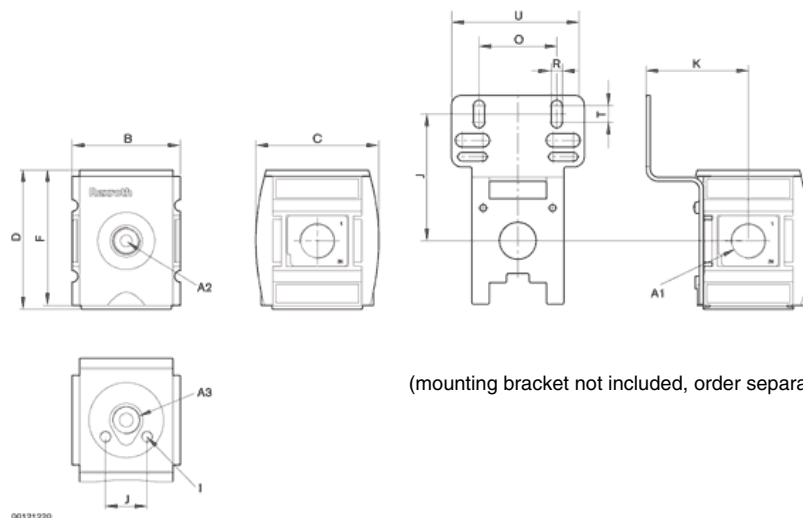
Part no.

Symbol	Threaded ports	Nominal flow Q_n [l/min] (CFM)	Weight [kg] (lbs)	Part no.
	G 1/4	2700 (1->2) (95 CFM) ¹⁾	0,250 (0.55)	R412006250
	G 3/8	3600 (1->2) (127 CFM) ¹⁾	0,250 (0.55)	R412006251

1) top (1->5) = 2000 l / min (70 CFM); front (1->4) = 900 l / min (31 CFM); below (1->3) = 2000 l / min (70 CFM)

Accessories (to be ordered separately)

Accessory	Part no.
Mechanical vacuum switch, pabs = -0,9 - 0 bar (-13 - 0 psi)	0821100020
Mechanical pressure switch, p1 = 0,2 - 3 bar (2 - 43 psi)	0821100021
Mechanical pressure switch, p1 = 1 - 16 bar (15 - 232 psi)	0821100023
Spare seal for vacuum/pressure switch	R961400021
Block assembly kit AS2-MBR-...-W04	R412006371
Mounting strap AS2-MBR-...-W03	R412006370
Mounting plate AS2-MBR-...-W01	R432031071



(mounting bracket not included, order separately)

A1	A2	A3	B	C	D	F	I	J	K	O	R	T	U
G 1/4	G 1/4	G 1/4	52	59	66,8	65	M5	20	49,4	38	5,4	10	65
G 3/8	G 1/4	G 1/4	52	59	66,8	65	M5	20	49,4	38	5,4	10	65

Compressed air maintenance unit, series AS3-Metric

AS3 Metric (G3/8 and G1/2) version index



	Page
AS3-ACD Combination FR+L maintenance unit, metric	131
AS3-ACT Combination F+R+L maintenance unit, metric.....	133
AS3-RGS Pressure regulator, metric	134
AS3-RGS-DS Pressure regulator, manifold version, metric.....	137
AS3-RGP Precision pressure regulator, metric.....	139
AS3-RGP-DS Precision pressure reg., manifold version, metric .	141
AS3-FRE Filter regulator, metric	143
AS3-FLS Standard filter (5 micron), metric	146
AS3-FLP Pre-filter (0.3 micron), metric	148
AS3-FLC Coalescing filter (0.01 micron), metric.....	150
AS3-FLA Active carbon filter, metric.....	152
AS3-LBS Lubricator, metric.....	154
AS3-SOV 3/2 Dump valve, electrically operated, metric.....	156
AS3-SOV 3/2 Dump valve, pneumatically operated, metric.....	158
AS3-SOV 3/2 Dump valve, elect. oper., w/position feedback	160
AS3-BAV Manual shut-off valve, lockable option, metric	161
AS3-SSV Filling valve (soft start), metric	162
AS3-DIS Distributor block, metric.....	164
Accessories index (including repair parts and kits)	194
AS3 Mounting brackets and other accessories.....	204
Pressure gauges.....	224

Compressed air maintenance unit, series AS3-Metric

FR+ L Maintenance unit AS3-ACD, 2-in-1, G 3/8 - G 1/2, ATEX approved



Technical Data

Type	Filter Pressure regulator	Filter element replaceable Diaphragm-type pressure regulator with relief opening and reverse flow capability Regulator knob lockable
	Lubricator	Standard oil-drop lubricator with automatic oil filling Fill level – sight glass with slotted screw adjustment for oil metering
		Can be filled with oil during operation
Supply pressure	Condensate drain	semi-automatic: 0.5 - 16 bar (7 - 232 psi) fully automatic: 1.5 - 16 bar (21 - 232 psi)
Secondary pressure		See table
Nominal flow	Q _n	See table
Secondary pressure = 6,3 bar (91 psi) and Δp = 1 bar (15 psi)		
Temperature range		-10° to +50 °C (14 °F to +122 °F) *
Medium		Compressed air
Weight		See table
Installation position		Vertical
Materials	Body Thread insert Reservoir Bowl guard Cover Filter element	Polyamide, seals Buna-N(NBR) Die-cast zinc Polycarbonate or die cast zinc, with bayonet catch Polyamide (polycarbonate bowls only) ABS Polyethylene
Reservoir capacity	Filter Lubricator	49 cm ³ (1.6 U.S. Fl. oz.) (semi-automatic) 80 cm ³ (2.7 U.S. Fl. oz.)
Filter porosity		5 μm
ATEX	In zone 1 (gas-ex, category 2G) In zone 21 (dust-ex, category 2D) In zone 2 (gas-ex, category 3G) In zone 22 (dust-ex, category 3D)	



* with dried air
Filter for separating solid impurities up to 5 μm from compressed air and gases
For quality classes according to DIN ISO 8573-1
- Solid impurities: class 3
- Humidity - water content: class 8
Oil type: HL 68 (DIN 51 524 - ISO VG 68)
Standard values for oil metering: 1-2 drops / min at a nominal flow rate of Q_n = 1000 l / min (35.30 CFM)
Plastic containers may only be cleaned with water, soap suds, and other similar, neutral agents.

▶ - semi and fully automatic condensate drain *

*either opened without pressure (NO) or closed without pressure (NC)

Note: All Series AS filter drains include a manual drain function as standard.

Part no.

Symbol	Threaded ports	Nominal flow Q _n [l/min] (CFM)	Secondary pressure [bar](psi)	Options	Weight [kg](lbs.)	Part no. with pressure gauge (Poly./Metal)
	G 3/8	3500 (123)	0,5 - 8 (7 - 116)	Polycarbonate w/guard or metal bowl, semi-automatic, without pressure: open	1,018 (2.244)	R412007298/R412007304
	G 3/8	3500 (123)	1,5 - 8 (21 - 116)	Polycarbonate w/guard or metal bowl, fully automatic, without pressure: open	1,067 (2.352)	R412007299/R412007305
	G 3/8	3500 (123)	0 - 8 (0 - 116)	Polycarbonate w/guard or metal bowl, fully automatic, without pressure: closed	1,067 (2.352)	R412007300/R412007306
	G 1/2	3500 (123)	0,5 - 8 (7 - 116)	Polycarbonate w/guard or metal bowl, semi-automatic, without pressure: open	1,018 (2.244)	R412007307/R412007313
	G 1/2	3500 (123)	1,5 - 8 (21 - 116)	Polycarbonate w/guard or metal bowl, fully automatic, without pressure: open	1,067 (2.352)	R412007308/R412007314
	G 1/2	3500 (123)	0 - 8 (0 - 116)	Polycarbonate w/guard or metal bowl, fully automatic, without pressure: closed	1,067 (2.352)	R412007309/R412007315

Accessories (to be ordered separately)

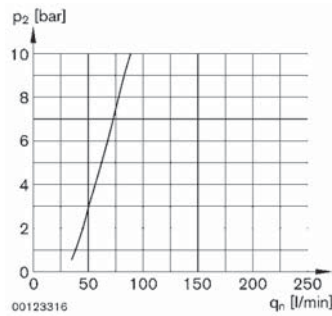
	Accessory	Part no.
	Spare parts kit: see filter pressure regulator valve AS3-FRE and oil-drop lubricator AS3-CBS	
	Mounting plate AS3-MBR-...-W01	R432031072
	Mounting strap AS3-MBR-...-W03	R412007370
	Block assembly kit AS3-MBR-...-W04	R412007371
	Block assembly kit (G 3/8) AS3-MBR-G038...-W05	R412007366
Block assembly kit (G 1/2) AS3-MBR-G012...-W05	R412007367	

Compressed air maintenance unit, series AS3-Metric

FR+L Maintenance unit AS3-ACD, 2-in-1, G 3/8 - G 1/2, ATEX approved

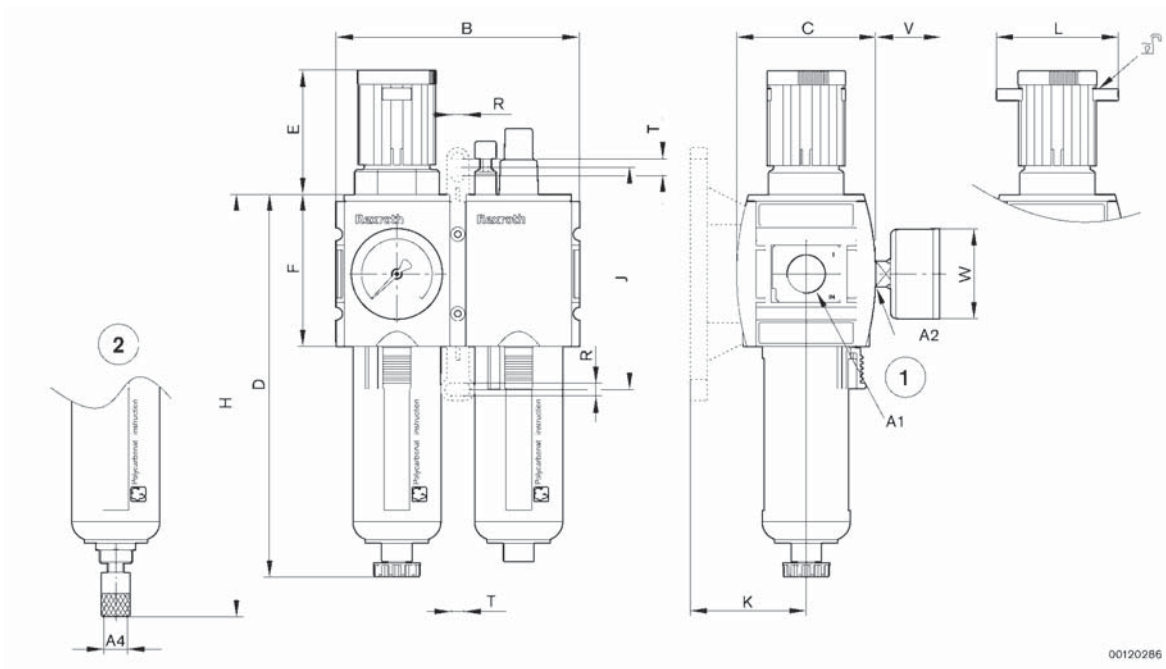
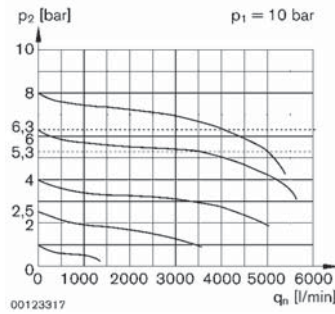


Lubrication activation margin



p_1 = Supply pressure; p_2 = Secondary pressure; q_n = Nominal flow;
 $q_{n \text{ min.}}$ = Min. nominal flow

Flow rate characteristic (setting range p_2 : 0.5 to 8 bar) (7 to 145 psi)



- 1) Semi-automatic condensate drain
- 2) Fully automatic condensate drain

A1	A2	A4	B	C	D	E	F	H	J	K	L	R	T	V	W
G 3/8	G 1/4	G 1/8	126	74	189,5	63,5	80	206	104	71	59	6,4	8	32	50
G 1/2	G 1/4	G 1/8	126	74	189,5	63,5	80	206	104	71	59	6,4	8	32	50

Compressed air maintenance unit, series AS3-Metric

FRL Maintenance unit AS3-ACT, 3-in-1, G 3/8 - G 1/2, ATEX approved



Technical Data

Type	Filter Pressure regulator	Filter element replaceable Diaphragm-type pressure regulator with relief opening and reverse flow capability
	Lubricator	Standard oil-drop lubricator with semi-automatic oil filling Fill level – sight glass with slotted screw adjustment for oil metering Can be filled with oil during operation
Supply pressure	Condensate drain	semi-automatic: 0.5 - 16 bar (7 - 232 psi) fully automatic: 1.5 - 16 bar (21 - 232 psi)
Secondary pressure		See table
Nominal flow	Q _n	See table
Secondary pressure = 6,3 bar (91 psi) and Δp = 1 bar (15 psi)		
Temperature range		-10° to +50 °C (14 °F to +122 °F) *
Medium		Compressed air
Weight		See table
Installation position		Vertical
Materials	Body Thread insert Reservoir Bowl guard Cover Filter element	Polyamide, seals Buna-N(NBR) Die-cast zinc Polycarbonate or die cast zinc, with bayonet catch Polyamide (carbonate bowls only) ABS Polyethylene
Reservoir capacity	Filter Lubricator	49 cm ³ (1.6 U.S. Fl. oz.) (semi-automatic) 80 cm ³ (2.7 U.S. Fl. oz.)
Filter porosity		5 μm
ATEX	In zone 1 (gas-ex, category 2G) In zone 21 (dust-ex, category 2D) In zone 2 (gas-ex, category 3G) In zone 22 (dust-ex, category 3D)	



* with dried air

Filter for separating solid impurities up to 5 μm from compressed air and gases

For quality classes according to DIN ISO 8573-1

- Solid impurities: class 3

- Humidity - water content: class 8

Oil type: HL 68 (DIN 51 524 - ISO VG 68)

Standard values for oil metering: 1-2 drops / min at a nominal flow rate of Q_n = 1000 l / min (35.30 CFM)

Plastic containers may only be cleaned with water, soap suds, and other similar, neutral agents.

▶ - semi and fully automatic condensate drain*

* either opened without pressure (NO) or closed without pressure (NC)

Note: All Series AS filter drains include a manual drain function as standard.

Part no.

Symbol	Threaded ports	Nominal flow Q _n [l/min] (CFM)	Secondary pressure [bar](psi)	Options	Weight [kg](lbs.)	Part no. with pressure gauge (Poly./Metal)
	G 3/8	3500 (123)	0,5 - 8 (7 - 116)	Polycarbonate w/guard or metal bowl, semi-automatic, without pressure: open	1,353 (2.983)	R412007318/R412007324
	G 3/8	3500 (123)	1,5 - 8 (21 - 116)	Polycarbonate w/guard or metal bowl, fully automatic, without pressure: open	1,402 (3.091)	R412007319/R412007325
	G 3/8	3500 (123)	0 - 8 (0 - 116)	Polycarbonate w/guard or metal bowl, fully automatic, without pressure: closed	1,402 (3.091)	R412007320/R412007326
	G 1/2	3500 (123)	0,5 - 8 (7 - 116)	Polycarbonate w/guard or metal bowl, semi-automatic, without pressure: open	1,353 (2.983)	R412007327/R412007333
	G 1/2	3500 (123)	1,5 - 8 (21 - 116)	Polycarbonate w/guard or metal bowl, fully automatic, without pressure: open	1,402 (3.091)	R412007328/R412007334
	G 1/2	3500 (123)	0 - 8 (0 - 116)	Polycarbonate w/guard or metal bowl, fully automatic, without pressure: closed	1,402 (3.091)	R412007329/R412007335

Accessories (to be ordered separately)

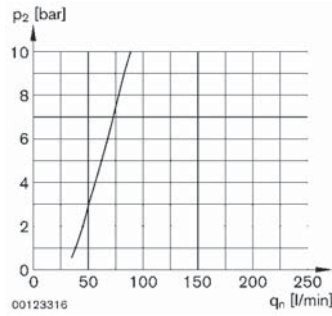
	Accessory	Part no.
	Spare parts kit: see filter pressure regulator valve AS3-FRE and oil-drop lubricator AS3-CBS	
	Mounting plate AS3-MBR-...-W01	R432031072
	Mounting strap AS3-MBR-...-W03	R412007370
	Block assembly kit AS3-MBR-...-W04	R412007371
	Mounting flange kit (G 3/8) AS3-MBR-G038...-W05	R412007366
	Mounting flange kit (G 1/2) AS3-MBR-G012...-W05	R412007367

Compressed air maintenance unit, series AS3-Metric

FRL Maintenance unit AS3-ACT, 3-in-1, G 3/8 - G 1/2, ATEX approved

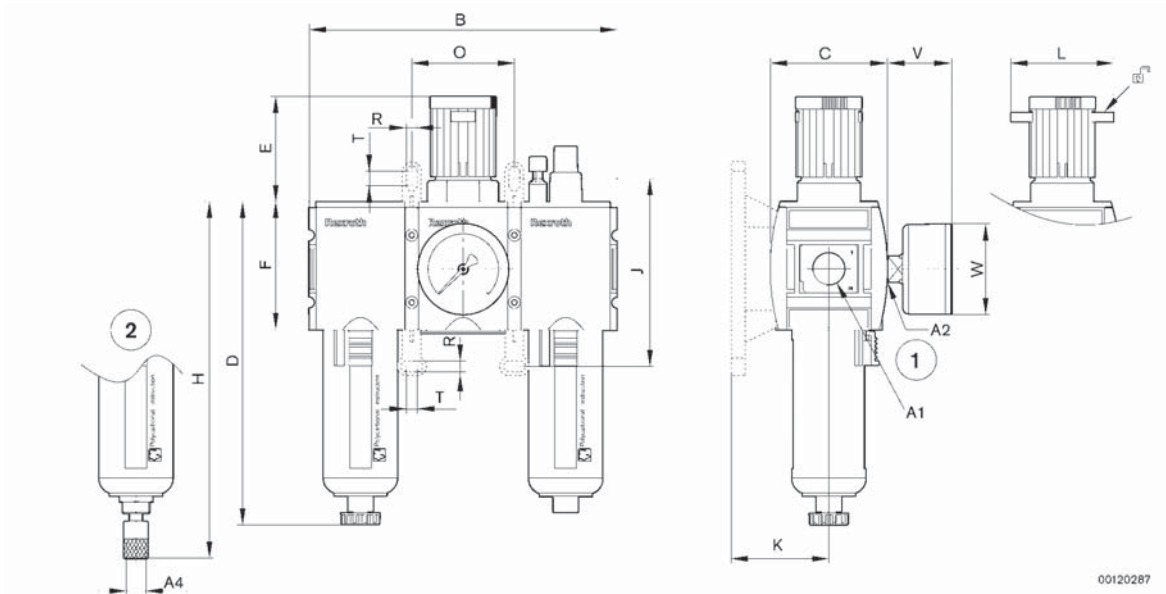
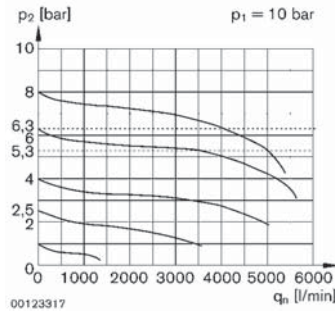


Lubrication activation margin



p_1 = Supply pressure; p_2 = Secondary pressure; q_n = Nominal flow;
 $q_{n \text{ min.}}$ = Min. nominal flow

Flow rate characteristic (setting p_2 : 0.5 to 8 bar) (7 to 145 psi)



- 1) Semi-automatic condensate drain
- 2) Fully automatic condensate drain

A1	A2	A4	B	C	D	E	F	H	J	K	L	O	R	T	V	W
G 3/8	G 1/4	G 1/8	189	74	189,5	63,5	80	206	104	71	59	63	6,4	8	32	50
G 1/2	G 1/4	G 1/8	189	74	189,5	63,5	80	206	104	71	59	63	6,4	8	32	50

Compressed air maintenance unit, series AS3-Metric

Pressure regulator AS3-RGS, G 3/8 - G 1/2, ATEX approved



Technical Data

Type	Diaphragm-type pressure regulator with relief opening and reverse flow capability	
Supply pressure	16 bar (232 psi)	
Secondary pressure	See table	
Nominal flow [l/min]	Q _n	See table
Secondary pressure = 6.3 bar (91 psi) and Δp = 1 bar (15 psi)		
Temperature range	-10° to +50 °C (14 °F to +122 °F) *	
Medium	Compressed air	
Weight	See table	
Installation position	any	
Materials	Body Thread insert	Polyamide, seals Buna-N(NBR) Die-cast zinc
ATEX	In zone 1 (gas-ex, category 2G) In zone 21 (dust-ex, category 2D) In zone 2 (gas-ex, category 3G) In zone 22 (dust-ex, category 3D)	



* with dried air

Part no.

Symbol	Threaded ports	Nominal flow Q _n [l/min](CFM)	Secondary pressure [bar](psi)	Weight [kg](lbs.)	Part no. with pressure gauge
	G 3/8	1600 (58)	0,1 - 1 (1 - 14)	0,600 (1.323)	R412007101
	G 3/8	4600 (162)	0,1 - 2 (1 - 29)	0,600 (1.323)	R412007103
	G 3/8	5000 (176)	0,2 - 4 (2 - 58)	0,600 (1.323)	R412007105
	G 3/8	4300 (151)	0,5 - 8 (7 - 116)	0,600 (1.323)	R412007107
	G 3/8	4300 (151)	0,5 - 10 (7 - 145)	0,600 (1.323)	R412007109
	G 3/8	3500 (123)	0,5 - 16 (7 - 232)	0,600 (1.323)	R412007111
	G 1/2	1600 (58)	0,1 - 1 (1 - 14)	0,600 (1.323)	R412007113
	G 1/2	4600 (162)	0,1 - 2 (1 - 29)	0,600 (1.323)	R412007115
	G 1/2	5000 (176)	0,2 - 4 (2 - 58)	0,600 (1.323)	R412007117
	G 1/2	5200 (183)	0,5 - 8 (7 - 116)	0,600 (1.323)	R412007119
	G 1/2	5200 (183)	0,5 - 10 (7 - 145)	0,600 (1.323)	R412007121
	G 1/2	4000 (141)	0,5 - 16 (7 - 232)	0,600 (1.323)	R412007123

Part no.

Symbol	Threaded ports	Nominal flow Q _n [l/min](CFM)	Secondary pressure [bar](psi)	Weight [kg](lbs.)	Part no. without pressure gauge
	G 3/8	1600 (58)	0,1 - 1 (1 - 14)	0,528 (1.164)	R412007100
	G 3/8	4600 (162)	0,1 - 2 (1 - 29)	0,528 (1.164)	R412007102
	G 3/8	5000 (178)	0,2 - 4 (2 - 58)	0,528 (1.164)	R412007104
	G 3/8	4300 (151)	0,5 - 8 (7 - 116)	0,528 (1.164)	R412007106
	G 3/8	4300 (151)	0,5 - 10 (7 - 145)	0,528 (1.164)	R412007108
	G 3/8	3500 (123)	0,5 - 16 (7 - 232)	0,528 (1.164)	R412007110
	G 1/2	1600 (58)	0,1 - 1 (1 - 14)	0,528 (1.164)	R412007112
	G 1/2	4600 (162)	0,1 - 2 (1 - 29)	0,528 (1.164)	R412007114
	G 1/2	5000 (176)	0,2 - 4 (2 - 58)	0,528 (1.164)	R412007116
	G 1/2	5200 (183)	0,5 - 8 (7 - 116)	0,528 (1.164)	R412007118
	G 1/2	5200 (183)	0,5 - 10 (7 - 145)	0,528 (1.164)	R412007120
	G 1/2	4000 (141)	0,5 - 16 (7 - 232)	0,528 (1.164)	R412007122

Accessories (to be ordered separately)

Accessory	Part no.
Pressure regulator valve seal kit	R961400144
Mounting plate AS3-MBR-...-W01 (incl. 2 bolts)	R432031072
Mounting strap AS3-MBR-...-W03	R412007370
Block assembly kit AS3-MBR-...-W04	R412007371
Mounting flange kit (G 3/8) AS3-MBR-G038...-W05	R412007366
Mounting flange kit (G 1/2) AS3-MBR-G012...-W05	R412007367
Control panel nut AS3-MBR-...-W06	R412007372

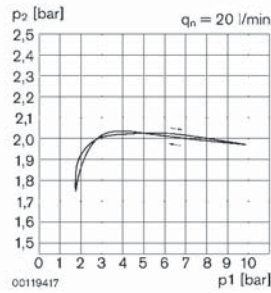
See accessories section for gauges

Compressed air maintenance unit, series AS3-Metric

Pressure regulator AS3-RGS, G 3/8 - G 1/2, ATEX approved

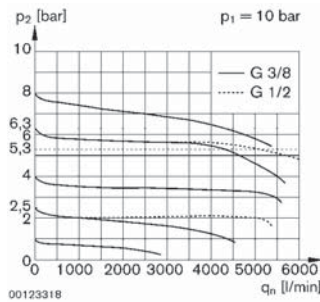


Pressure characteristics curve

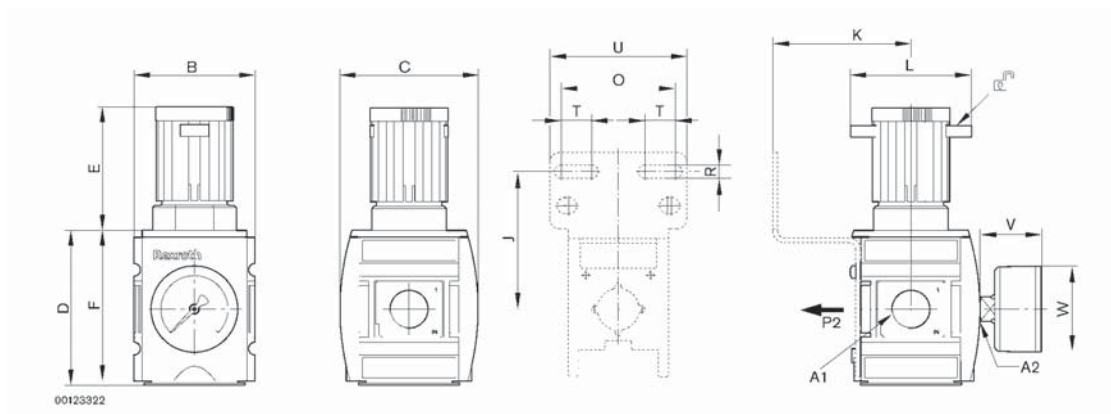


p_1 = Supply pressure; p_2 = Secondary pressure; q = Flow rate

Flow rate characteristic (setting range p_2 : 0.5 to 8 bar / 7 to 116 psi)



p_1 = Supply pressure; p_2 = Secondary pressure; q_n = Nominal flow



A1	A2	B	C	D	E	F	J	K	L	O	R	T	U	V	W
G 3/8	G 1/4	63	74	82	63,5	80	72,5	71	59	60	7	16	72	35	50
G 1/2	G 1/4	63	74	82	63,5	80	72,5	71	59	60	7	16	72	35	50

Compressed air maintenance unit, series AS3-Metric

Pressure regulator AS3-RGS-...-DS, with continuous pressure supply,
G 3/8 - G 1/2, ATEX approved

AVENTICS®



Technical Data

Type	Diaphragm-type pressure regulator with relief opening and reverse flow capability Lockable regulator knob	
Supply pressure	16 bar (232 psi)	
Secondary pressure	See table	
Nominal flow Q_n	See table	
Secondary pressure = 6.3 bar (91 psi) and $\Delta p = 1$ bar (15 psi)		
Temperature range	-10° to +50 °C (14 °F to +122 °F) *	
Medium	Compressed air	
Weight	See table	
Installation position	Any	
Materials	Body Thread insert Cover	Polyamide, seals Buna-N(NBR) Die-cast zinc ABS
ATEX	In zone 1 (gas-ex, category 2G) In zone 21 (dust-ex, category 2D) In zone 2 (gas-ex, category 3G) In zone 22 (dust-ex, category 3D)	

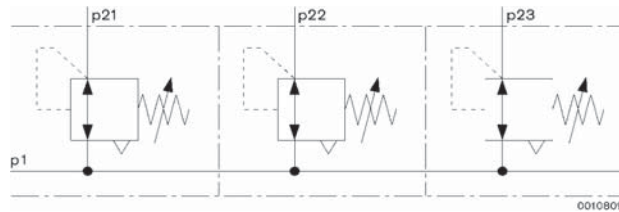


* with dried air

The p1 working pressure can be supplied from the left or the right in the device combination. With high nominal flows, a supply on both sides is recommended!

In the case of multiple regulator assemblies, only gauge with $\varnothing \leq 50$ can be used

Example of application



Part no.

Symbol	Threaded ports	Nominal flow Q_n [l/min](CFM)	Secondary pressure [bar](psi)	Weight [kg](lbs.)	Part no. without pressure gauge
	G 3/8	1600 (58)	0,1 - 1 (1 - 14)	0,528 (1.164)	R412007124
	G 3/8	4600 (162)	0,1 - 2 (1 - 29)	0,528 (1.164)	R412007125
	G 3/8	5000 (176)	0,2 - 4 (2 - 58)	0,528 (1.164)	R412007126
	G 3/8	4300 (151)	0,5 - 8 (7 - 116)	0,528 (1.164)	R412007127
	G 3/8	4300 (151)	0,5 - 10 (7 - 145)	0,528 (1.164)	R412007128
	G 3/8	3500 (123)	0,5 - 10 (7 - 232)	0,528 (1.164)	R412007129
	G 1/2	1600 (58)	0,1 - 1 (1 - 14)	0,528 (1.164)	R412007130
	G 1/2	4600 (162)	0,1 - 2 (1 - 29)	0,528 (1.164)	R412007131
	G 1/2	5000 (176)	0,2 - 4 (2 - 58)	0,528 (1.164)	R412007132
	G 1/2	5200 (183)	0,5 - 8 (7 - 116)	0,528 (1.164)	R412007133
	G 1/2	5200 (183)	0,5 - 10 (7 - 145)	0,528 (1.164)	R412007134
	G 1/2	4000 (141)	0,5 - 16 (7 - 232)	0,528 (1.164)	R412007135

Accessories (to be ordered separately)

Accessory	Part no.
Pressure regulator valve seal kit	R961400144
Mounting plate AS3-MBR-...-W01 (incl. 2 bolts)	R432031072
Mounting strap AS3-MBR-...-W03	R412007370
Block assembly kit AS3-MBR-...-W04	R412007371
Mounting flange kit (G 3/8) AS3-MBR-G038-...-W05	R412007366
Mounting flange kit (G 1/2) AS3-MBR-G012-...-W05	R412007367
Control panel nut AS3-MBR-...-W06	R412007372

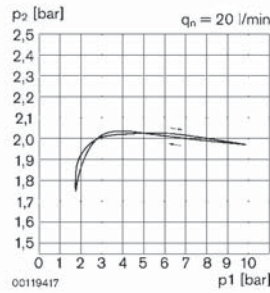
See accessories section for gauges

Compressed air maintenance unit, series AS3-Metric

Pressure regulator AS3-RGS-...-DS, with continuous pressure supply,
G 3/8 - G 1/2, ATEX approved

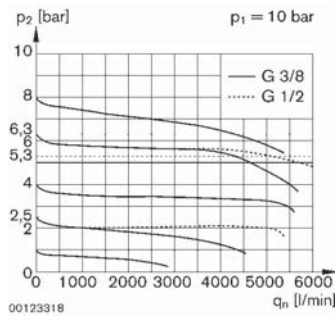


Pressure characteristics curve

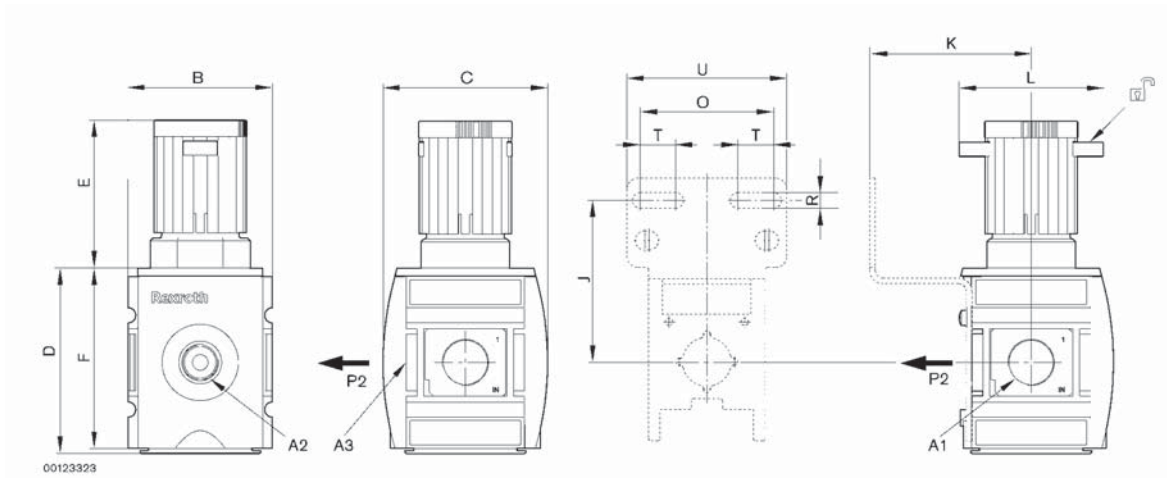


p_1 = Supply pressure; p_2 = Secondary pressure; q = Flow rate

Flow rate characteristic (setting range p_2 : 0.5 to 8 bar / 7 to 116 psi)



p_1 = Supply pressure; p_2 = Secondary pressure; q_n = Nominal flow



p_2 = Secondary pressure

A1	A2	A3	B	C	D	E	F	J	K	L	O	R	T	U
G 3/8	G 1/4	G 3/8	63	74	82	63,5	80	72,5	71	59	60	7	16	72
G 1/2	G 1/4	G 3/8	63	74	82	63,5	80	72,5	71	59	60	7	16	72

Compressed air maintenance unit, series AS3-Metric

Precision pressure regulator AS3-RGP, G 3/8 - G 1/2, ATEX approved

AVENTICS[®]



Technical Data

Type	Diaphragm-type pressure regulator with relief opening and reverse flow capability Lockable regulator knob	
Supply pressure	16 bar (232 psi)	
Secondary pressure	See table	
Nominal flow Q_n	See table	
Secondary pressure = 6.3 bar (91 psi) and $\Delta p = 1$ bar (15 psi)		
Temperature range	-10° to +50 °C (14 °F to +122 °F) *	
Medium	Compressed air	
Weight	See table	
Installation position	Any	
Materials	Body Thread insert Cover	Polyamide, seals Buna-N(NBR) Die-cast zinc ABS



* with dried air
Continuous air consumption = 2.6 l / min (0.09 CFM), depending on secondary pressure $p_2 = 6$ bar (87 psi)

ATEX
In zone 1 (gas-ex, category 2G)
In zone 21 (dust-ex, category 2D)
In zone 2 (gas-ex, category 3G)
In zone 22 (dust-ex, category 3D)

Part no.

Symbol	Threaded ports	Nominal flow Q_n [l/min](CFM)	Secondary pressure [bar](psi)	Weight [kg](lbs.)	Part no. with pressure gauge
	G 3/8	1600 (58)	0,1 - 1 (1 - 14)	0,600 (1.323)	R412007137
	G 3/8	4600 (162)	0,1 - 2 (1 - 29)	0,600 (1.323)	R412007139
	G 3/8	5000 (178)	0,2 - 4 (2 - 58)	0,600 (1.323)	R412007141
	G 3/8	4300 (151)	0,5 - 8 (7 - 116)	0,600 (1.323)	R412007143
	G 3/8	4300 (151)	0,5 - 10 (7 - 145)	0,600 (1.323)	R412007145
	G 1/2	1600 (58)	0,1 - 1 (1 - 14)	0,600 (1.323)	R412007149
	G 1/2	4600 (162)	0,1 - 2 (1 - 29)	0,600 (1.323)	R412007151
	G 1/2	5000 (176)	0,2 - 4 (2 - 58)	0,600 (1.323)	R412007153
	G 1/2	5200 (183)	0,5 - 8 (7 - 116)	0,600 (1.323)	R412007155
	G 1/2	5200 (183)	0,5 - 10 (7 - 145)	0,600 (1.323)	R412007157

Part no.

Symbol	Threaded ports	Nominal flow Q_n [l/min](CFM)	Secondary pressure [bar](psi)	Weight [kg](lbs.)	Part no. without pressure gauge
	G 3/8	1600 (58)	0,1 - 1 (1 - 14)	0,528 (1.164)	R412007136
	G 3/8	4600 (162)	0,1 - 2 (1 - 29)	0,528 (1.164)	R412007138
	G 3/8	5000 (178)	0,2 - 4 (2 - 58)	0,528 (1.164)	R412007140
	G 3/8	4300 (151)	0,5 - 8 (7 - 116)	0,528 (1.164)	R412007142
	G 3/8	4300 (151)	0,5 - 10 (7 - 145)	0,528 (1.164)	R412007144
	G 1/2	1600 (58)	0,1 - 1 (1 - 14)	0,528 (1.164)	R412007148
	G 1/2	4600 (162)	0,1 - 2 (1 - 29)	0,528 (1.164)	R412007150
	G 1/2	5000 (176)	0,2 - 4 (2 - 58)	0,528 (1.164)	R412007152
	G 1/2	5200 (183)	0,5 - 8 (7 - 116)	0,528 (1.164)	R412007154
	G 1/2	5200 (183)	0,5 - 10 (7 - 145)	0,528 (1.164)	R412007156

Accessories (to be ordered separately)

Accessory	Part no.
Pressure regulator valve seal kit	R961400145
Mounting plate AS3-MBR-...-W01	R432031072
Mounting strap AS3-MBR-...-W03	R412007370
Block assembly kit AS3-MBR-...-W04	R412007371
Mounting flange kit (G 3/8) AS3-MBR-G038...-W05	R412007366
Mounting flange kit (G 1/2) AS3-MBR-G012...-W05	R412007367
Control panel nut AS3-MBR-...-W06	R412007372

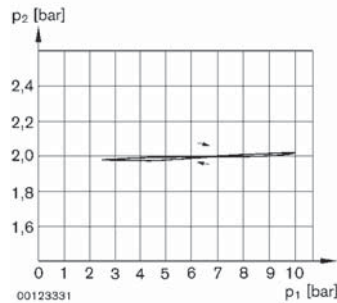
See accessories section for gauges

Compressed air maintenance unit, series AS3-Metric

Precision pressure regulator AS3-RGP, G 3/8 - G 1/2, ATEX approved

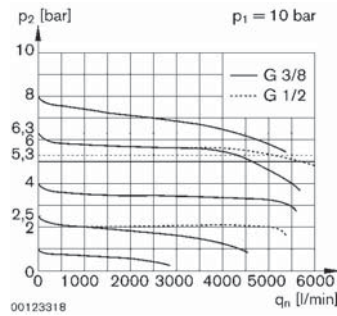


Pressure characteristics curve

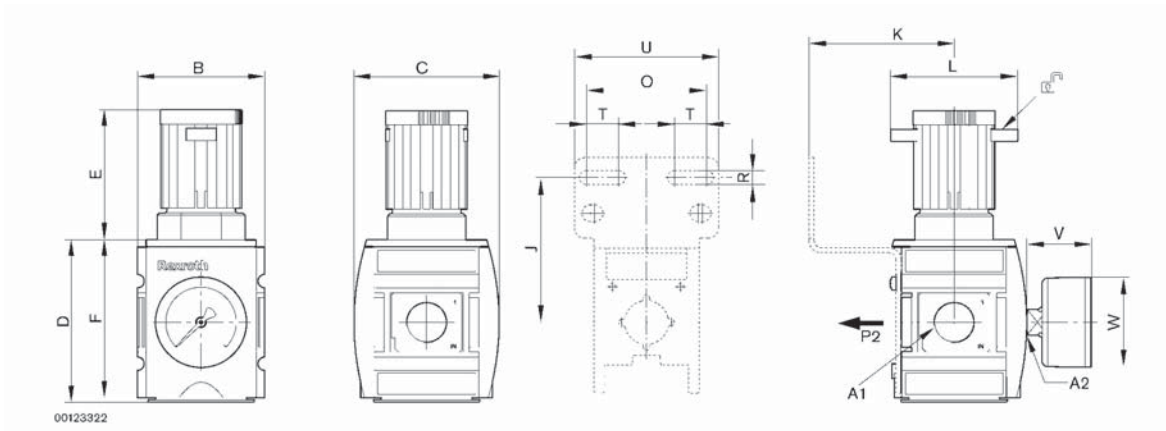


p_1 = Supply pressure; p_2 = Secondary pressure; q = Flow rate

Flow rate characteristic (setting range p_2 : 0.5 to 8 bar / 7 to 116 psi)



p_1 = Supply pressure; p_2 = Secondary pressure; q_n = Nominal flow



A1	A2	B	C	D	E	F	J	K	L	O	R	T	U	V	W
G 3/8	G 1/4	63	74	82	63,5	80	72,5	71	59	60	7	16	72	35	50
G 1/2	G 1/4	63	74	82	63,5	80	72,5	71	59	60	7	16	72	35	50

Compressed air maintenance unit, series AS3-Metric

Precision pressure regulator AS3-RGP-...-DS, with continuous pressure supply, G 3/8 - G 1/2, ATEX approved



Technical Data

Type	Diaphragm-type pressure regulator with relief opening and reverse flow capability Lockable regulator knob	
Supply pressure	16 bar (232 psi)	
Secondary pressure	See table	
Nominal flow Q_n	See table	
Secondary pressure = 6.3 bar (91 psi) and $\Delta p = 1$ bar (15 psi)		
Temperature range	-10° to +50 °C (14 °F to +122 °F) *	
Medium	Compressed air	
Weight	See table	
Installation position	Any	
Materials	Body Thread insert Cover	Polyamide, seals Buna-N(NBR) Die-cast zinc ABS
ATEX	In zone 1 (gas-ex, category 2G) In zone 21 (dust-ex, category 2D) In zone 2 (gas-ex, category 3G) In zone 22 (dust-ex, category 3D)	



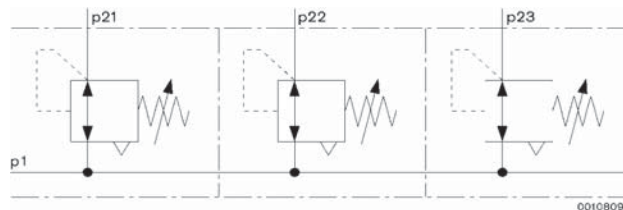
* with dried air

Continuous air consumption = 2.6 l / min (0.09 CFM), depending on secondary pressure $p_2 = 6$ bar (87 psi)

The p_1 working pressure can be supplied from the left or the right in the device combination. With high nominal flows, a supply on both sides is recommended!

In the case of block assembly, only gauge with $\varnothing \leq 50$ can be used

Example of application



Part no.

Symbol	Threaded ports	Nominal flow Q_n [l/min](CFM)	Secondary pressure [bar](psi)	Weight [kg](lbs.)	Part no. without pressure gauge
	G 3/8	1600 (58)	0,1 - 1 (1 - 14)	0,528 (1.164)	R412007160
	G 3/8	4600 (162)	0,1 - 2 (1 - 29)	0,528 (1.164)	R412007161
	G 3/8	5000 (176)	0,2 - 4 (2 - 58)	0,528 (1.164)	R412007162
	G 3/8	4300 (151)	0,5 - 8 (7 - 116)	0,528 (1.164)	R412007163
	G 3/8	4300 (151)	0,5 - 10 (7 - 145)	0,528 (1.164)	R412007164
	G 1/2	1600 (58)	0,1 - 1 (1 - 14)	0,528 (1.164)	R412007166
	G 1/2	4600 (162)	0,1 - 2 (1 - 29)	0,528 (1.164)	R412007167
	G 1/2	5000 (176)	0,2 - 4 (2 - 58)	0,528 (1.164)	R412007168
	G 1/2	5200 (183)	0,5 - 8 (7 - 116)	0,528 (1.164)	R412007169
	G 1/2	5200 (183)	0,5 - 10 (7 - 145)	0,528 (1.164)	R412007170

Accessories (to be ordered separately)

Accessory	Part no.
Pressure regulator valve seal kit	R961400145
Mounting plate AS3-MBR-...-W01	R432031072
Mounting strap AS3-MBR-...-W03	R412007370
Block assembly kit AS3-MBR-...-W04	R412007371
Mounting flange kit (G 3/8) AS3-MBR-G038...-W05	R412007366
Mounting flange kit (G 1/2) AS3-MBR-G012...-W05	R412007367
Control panel nut AS3-MBR-...-W06	R412007372

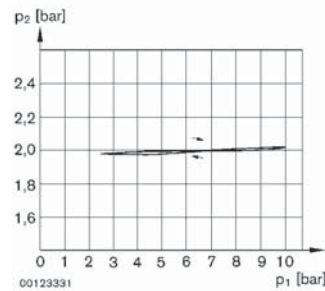
See accessories section for gauges

Compressed air maintenance unit, series AS3-Metric

Precision pressure regulator AS3-RGP-...-DS, with continuous pressure supply, G 3/8 - G 1/2, ATEX approved

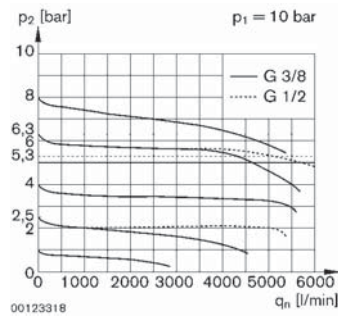


Pressure characteristics curve

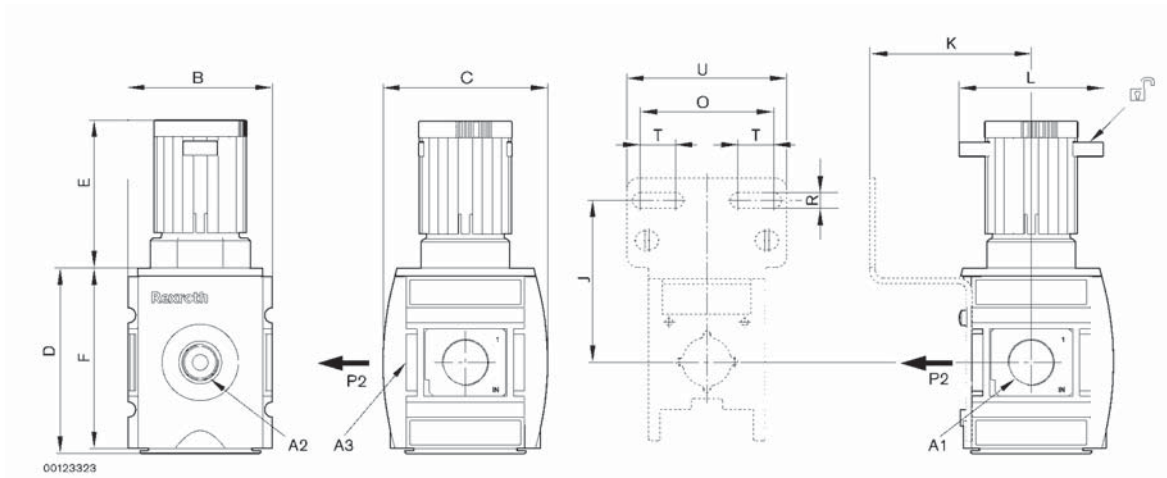


p_1 = Supply pressure; p_2 = Secondary pressure; q = Flow rate

Flow rate characteristic (setting range p_2 : 0.5 to 8 bar / 7 to 116 psi)



p_1 = Supply pressure; p_2 = Secondary pressure; q_n = Nominal flow



p_2 = Secondary pressure

A1	A2	A3	B	C	D	E	F	J	K	L	O	R	T	U
G 3/8	G 1/4	G 3/8	63	74	82	63	80	72,5	71	59	60	7	16	72
G 1/2	G 1/4	G 3/8	63	74	82	63	80	72,5	71	59	60	7	16	72

Compressed air maintenance unit, series AS3-Metric

Filter regulator AS3-FRE, G 3/8 - G 1/2, ATEX approved



Technical Data

Type	Filter Pressure regulator	Filter element replaceable Diaphragm-type pressure regulator with relief opening and reverse flow capability Lockable regulator knob
Supply pressure	Condensate drain	semi-automatic: 0.5 - 16 bar (7 - 232 psi) fully automatic: 1.5 - 16 bar (21 - 232 psi)
Secondary pressure		See table
Nominal flow	Q _n	See table
Secondary pressure = 6,3 bar (91 psi) and Δp = 1 bar (15 psi)		
Ambient temperature		-10°C to +50 °C (14 °F to +122 °F) *
Medium		Compressed air
Weight		See table
Installation position		Vertical
Materials	Body Thread insert Reservoir Bowl guard Cover Filter element	Polyamide, seals Buna-N(NBR) Die-cast zinc Polycarbonate or die cast zinc, with bayonet catch Polyamide (polycarbonate bowls only) ABS Polyethylene
Reservoir capacity	-	49 cm ³ (1.6 U.S. Fl. oz.) (semi-automatic)
Filter porosity		5 μm
ATEX	In zone 1 (gas-ex, category 2G) In zone 21 (dust-ex, category 2D) In zone 2 (gas-ex, category 3G) In zone 22 (dust-ex, category 3D)	



* with dried air

Filter for separating solid impurities up to 5 μm from compressed air and gases

For quality classes according to DIN ISO 8573-1

- Solid impurities: class 3

- Humidity - water content: class 8

Plastic containers may only be cleaned with water, soap suds, and other similar, neutral agents.

Note: All Series AS filter drains include a manual drain function as standard.

Part no.

Symbol	Threaded ports	Nominal flow Q _n [l/min] (CFM)	Secondary pressure [bar](psi)	Options	Weight [kg](lbs.)	Part no. with pressure gauge (Poly./Metal)
	G 3/8	4300 (151)	0,5 - 8 (7 - 116)	Polycarbonate w/guard or metal bowl, semi-automatic, w/out pressure: open	0,658 (1.451)	R412007200/R412007206
	G 3/8	4300 (151)	1,5 - 8 (21 - 116)	Polycarbonate w/guard or metal bowl, fully automatic, w/out pressure: open	0,707 (1.559)	R412007201/R412007207
	G 3/8	4300 (151)	0 - 8 (0 - 116)	Polycarbonate w/guard or metal bowl, fully automatic, w/out pressure: closed	0,707 (1.559)	R412007202/R412007208
	G 1/2	5100 (180)	0,5 - 8 (7 - 116)	Polycarbonate w/guard or metal bowl, semi-automatic, w/out pressure: open	0,658 (1.451)	R412007209/R412007215
	G 1/2	5100 (180)	1,5 - 8 (21 - 116)	Polycarbonate w/guard or metal bowl, fully automatic, w/out pressure: open	0,707 (1.559)	R412007210/R412007216
	G 1/2	5100 (180)	0 - 8 (0 - 116)	Polycarbonate w/guard or metal bowl, fully automatic, w/out pressure: closed	0,707 (1.559)	R412007211/R412007217

Part no.


Symbol	Threaded ports	Nominal flow Q _n [l/min] (CFM)	Secondary pressure [bar](psi)	Options	Weight [kg](lbs.)	Part no. without pressure gauge
	G 3/8	4300 (151)	0,5 - 8 (7 - 116)	Polycarbonate w/guard or metal bowl, semi-automatic, w/out pressure: open	0,586 (1.292)	R412007175/R412007181
	G 3/8	4300 (151)	1,5 - 8 (21 - 116)	Polycarbonate w/guard or metal bowl, fully automatic, w/out pressure: open	0,635 (1.400)	R412007176/R412007182
	G 3/8	4300 (151)	0 - 8 (0 - 116)	Polycarbonate w/guard or metal bowl, fully automatic, w/out pressure: closed	0,635 (1.400)	R412007177/R412007183
	G 1/2	5100 (180)	0,5 - 8 (7 - 116)	Polycarbonate w/guard or metal bowl, semi-automatic, w/out pressure: open	0,586 (1.292)	R412007184/R412007190
	G 1/2	5100 (180)	1,5 - 8 (21 - 116)	Polycarbonate w/guard or metal bowl, fully automatic, w/out pressure: open	0,635 (1.400)	R412007185/R412007191
	G 1/2	5100 (180)	0 - 8 (0 - 116)	Polycarbonate w/guard or metal bowl, fully automatic, w/out pressure: closed	0,635 (1.400)	R412007186/R412007192

Compressed air maintenance unit, series AS3-Metric

Filter regulator AS3-FRE, G 3/8 - G 1/2, ATEX approved

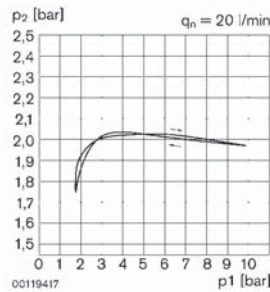


▲ Accessories (to be ordered separately)

	Accessory	Part no.
	Filter element, 5 µm	1829207068
	Pressure regulator valve seal kit	R961400144
	Mounting plate AS3-MBR-...-W01	R432031072
	Mounting strap AS3-MBR-...-W03	R412007370
	Block assembly kit AS3-MBR-...-W04	R412007371
	Mounting flange kit (G 3/8) AS3-MBR-G038...-W05	R412007366
	Mounting flange kit (G 1/2) AS3-MBR-G012...-W05	R412007367
	Control panel nut AS3-MBR-...-W06	R412007372

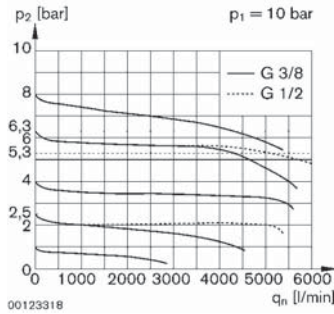
See accessories section for filter reservoirs

Pressure characteristics curve



p_1 = Supply pressure; p_2 = Secondary pressure; q = Flow rate

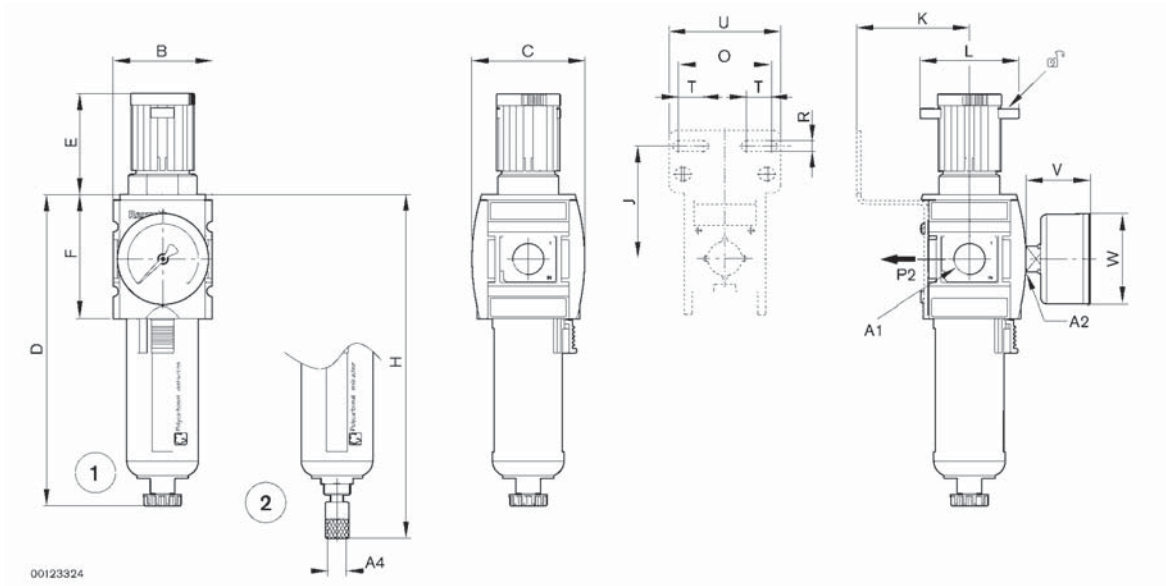
Flow rate characteristic (setting range p_2 : 0.5 to 8 bar) (7 to 116 psi)



p_1 = Supply pressure; p_2 = Secondary pressure; q_n = Nominal flow; q = Flow rate

Compressed air maintenance unit, series AS3-Metric

Filter regulator AS3-FRE, G 3/8 - G 1/2, ATEX approved



- 1) Semi-automatic condensate drain
- 2) Fully automatic condensate drain

A1	A2	A4	B	C	D	E	F	H	J	K	L	O	R	T	U	V	W
G 3/8	G 1/4	G 1/8	63	74	189,5	63,5	80	206	72,5	71	59	60	7	16	72	35	50
G 1/2	G 1/4	G 1/8	63	74	189,5	63,5	80	206	72,5	71	59	60	7	16	72	35	50

Compressed air maintenance unit, series AS3-Metric

Standard filter AS3-FLS, 5 micron, G 3/8 - G 1/2, ATEX approved



Technical Data

Type	Filter element replaceable	
Supply pressure	See table	
Ambient temperature	-10°C to +50 °C (14 °F to +122 °F) *	
Medium	Compressed air	
Weight	See table	
Installation position	vertical	
Materials	Body	Polyamide, seals Buna-N(NBR)
	Thread insert	Die-cast zinc
	Reservoir	Polycarbonate or die cast zinc, with bayonet catch
	Bowl guard	Polyamide (polycarbonate bowls only)
	Cover	ABS
	Filter element	Polyethylene
Reservoir capacity	49 cm ³ (1.6 U.S. Fl. oz.) (semi-automatic)	
Filter porosity	5 μm	
ATEX	In zone 1 (gas-ex, category 2G) In zone 21 (dust-ex, category 2D) In zone 2 (gas-ex, category 3G) In zone 22 (dust-ex, category 3D)	



* with dried air

Filter for separating solid impurities up to 5 μm from compressed air and gases

For quality classes according to DIN ISO 8573-1

- Solid impurities: class 3

- Humidity - water content: class 8

Optionally with a semi or fully automatic condensate drain

Condensate drain opened without pressure or closed without pressure.

Plastic containers may only be cleaned with water, soap suds, and other similar, neutral agents.

Note: All Series AS filter drains include a manual drain function as standard.

Part no.

Symbol	Threaded ports	Nominal flow Q _n [l/min] (CFM)	Supply pressure [bar](psi)	Options	Weight [kg](lbs.)	Part no. (Poly./Metal)
	G 3/8	3500 (123)	0,5 - 16 (7 - 232)	Polycarbonate w/guard or metal bowl, semi-automatic, w/out pressure: open	0,361 (0.796)	R412007000/R412007006
	G 3/8	3500 (123)	1,5 - 16 (21 - 232)	Polycarbonate w/guard or metal bowl, fully automatic, w/out pressure: open	0,410 (0.904)	R412007001/R412007007
	G 3/8	3500 (123)	0 - 16 (0 - 232)	Polycarbonate w/guard or metal bowl, fully automatic, w/out pressure: closed	0,410 (0.904)	R412007002/R412007008
	G 1/2	3500 (123)	0,5 - 16 (7 - 232)	Polycarbonate w/guard or metal bowl, semi-automatic, w/out pressure: open	0,361 (0.796)	R412007009/R412007015
	G 1/2	3500 (123)	1,5 - 16 (21 - 232)	Polycarbonate w/guard or metal bowl, fully automatic, w/out pressure: open	0,410 (0.904)	R412007010/R412007016
	G 1/2	3500 (123)	0 - 16 (0 - 232)	Polycarbonate w/guard or metal bowl, fully automatic, w/out pressure: closed	0,410 (0.904)	R412007011/R412007017

Nominal flow at inlet pressure 91 psi and 15 psi drop (P₁ = 6.3 bar, ΔP = 1 bar)

Accessories (to be ordered separately)

Accessory	Part no.
Filter element, 5 μm	1829207068
Mounting plate AS3-MBR-...-W01	R432031072
Mounting strap AS3-MBR-...-W03	R412007370
Block assembly kit AS3-MBR-...-W04	R412007371
Mounting flange kit (G 3/8) AS3-MBR-G038...-W05	R412007366
Mounting flange kit (G 1/2) AS3-MBR-G012...-W05	R412007367

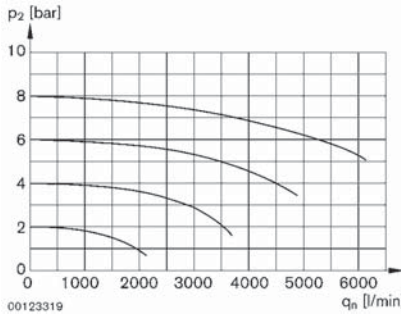
See accessories section for filter reservoirs

Compressed air maintenance unit, series AS3-Metric

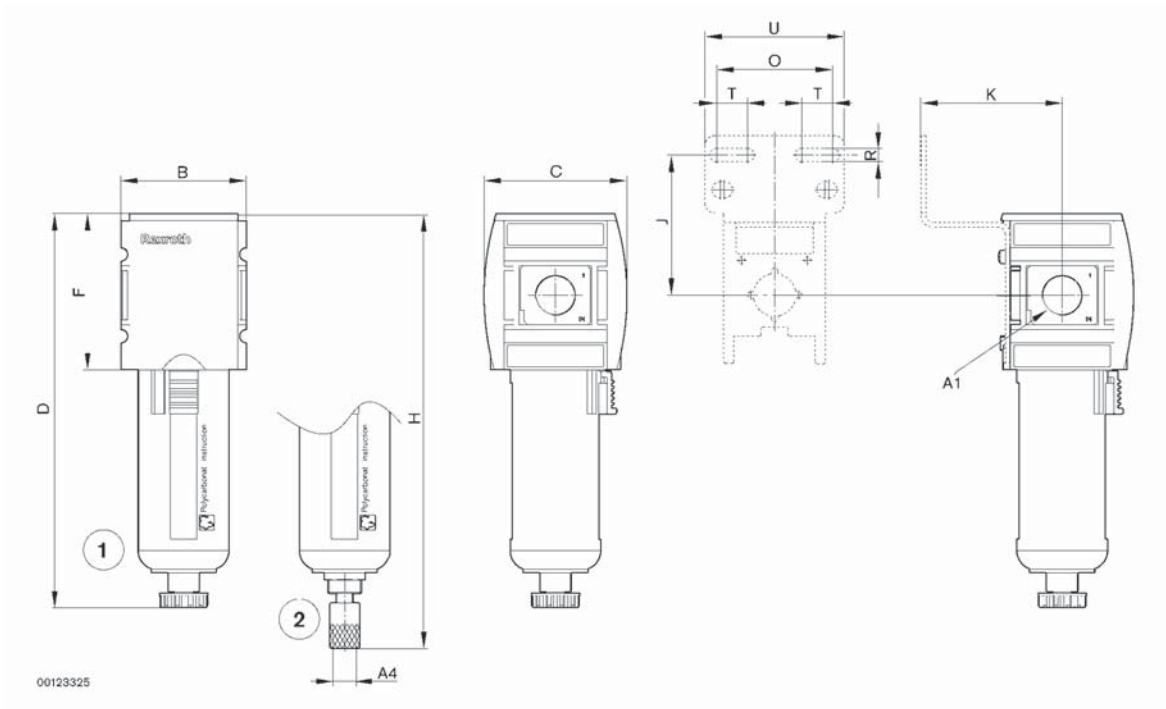
Standard filter AS3-FLS, 5 micron, G 3/8 - G 1/2, ATEX approved



Flow rate characteristic



p_1 = Supply pressure; p_2 = Secondary pressure; q_n = Nominal flow



- 1) Semi-automatic condensate drain
- 2) Fully automatic condensate drain

A1	A4	B	C	D	F	H	J	K	O	R	T	U
G 3/8	G 1/8	63	74	189,5	80	206	72,5	71	60	7	16	72
G 1/2	G 1/8	63	74	189,5	80	206	72,5	71	60	7	16	72

Compressed air maintenance unit, series AS3-Metric

Pre-filter AS3-FLP, 0.3 micron, G 3/8 - G 1/2, ATEX approved



Technical Data

Type	Pre-filter element replaceable	
Supply pressure	See table	
Temperature range	-10°C to +50 °C (14 °F to +122 °F) *	
Medium	Compressed air	
Weight	See table	
Installation position	vertical	
Materials	Body	Polyamide, seals Buna-N(NBR)
	Thread insert	Die-cast zinc
	Reservoir	Polycarbonate or die cast zinc, with bayonet catch
	Bowl guard	Polyamide (polycarbonate bowls only)
	Cover	ABS
	Filter element	Polymer-impregnated paper
Reservoir capacity	49 cm ³ (1.6 U.S. Fl. oz.) (semi-automatic)	
Filter porosity	0,3 µm	
ATEX	In zone 1 (gas-ex, category 2G) In zone 21 (dust-ex, category 2D) In zone 2 (gas-ex, category 3G) In zone 22 (dust-ex, category 3D)	



* with dried air

Pre-filter for separating solid impurities up to 0,3 µm from compressed air and gases
The filter element should be exchanged if there is an increase of Δp by max. 0.35 bar (5 psi) or once a year.
Dust separation = 99,99 %
For quality classes according to DIN ISO 8573-1
- Solid impurities: class 2
- Humidity - water content: class 8
Plastic containers may only be cleaned with water, soap suds, and other similar, neutral agents.
Note: All Series AS filter drains include a manual drain function as standard.

Part no.

Symbol	Threaded ports	Nominal flow Q _n [l/min] (CFM)	Supply pressure [bar](psi)	Options	Weight [kg](lbs.)	Part no. (Poly./Metal)
	G 3/8	900 (32)	0,5 - 16 (7 - 232)	Polycarbonate w/guard or metal bowl, semi-automatic, w/out pressure: open	0,361 (0.796)	R412007018/R412007024
	G 3/8	900 (32)	1,5 - 16 (21 - 232)	Polycarbonate w/guard or metal bowl, fully automatic, w/out pressure: open	0,410 (0.904)	R412007019/R412007025
	G 3/8	900 (32)	0 - 16 (0 - 232)	Polycarbonate w/guard or metal bowl, fully automatic, w/out pressure: closed	0,410 (0.904)	R412007020/R412007026
	G 1/2	900 (32)	0,5 - 16 (7 - 232)	Polycarbonate w/guard or metal bowl, semi-automatic, w/out pressure: open	0,361 (0.796)	R412007027/R412007033
	G 1/2	900 (32)	1,5 - 16 (21 - 232)	Polycarbonate w/guard or metal bowl, fully automatic, w/out pressure: open	0,410 (0.904)	R412007028/R412007034
	G 1/2	900 (32)	0 - 16 (0 - 232)	Polycarbonate w/guard or metal bowl, fully automatic, w/out pressure: closed	0,410 (0.904)	R412007029/R412007035

Nominal flow at inlet pressure 91 psi and 1.5 psi drop (P₁ = 6.3 bar, ΔP = 0.1 bar)

Q = Q_n x f (f = Correction factor for various supply pressures p₁)

		p ₁															
[bar]		1	2	3	4	5	6	7	8	9	10	11	12	13	14	15	16
[psi]		14	29	43	58	72	87	101	116	130	145	159	174	188	203	217	232
f		0,25	0,38	0,5	0,65	0,75	0,88	1	1,13	1,25	1,38	1,5	1,63	1,75	1,88	2	2,13

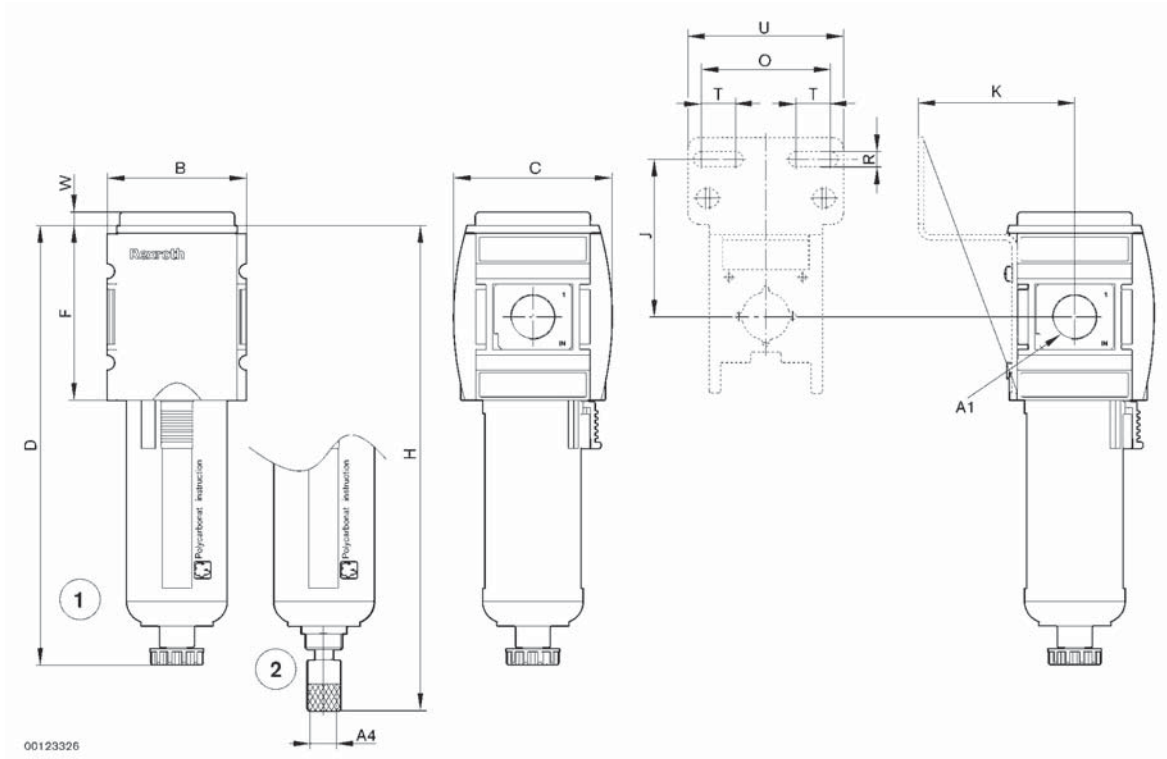
Accessories (to be ordered separately)

	Accessory	Part no.
	Filter element	R961400140
	Mounting plate AS3-MBR-...-W01	R432031072
	Mounting strap AS3-MBR-...-W03	R412007370
	Block assembly kit AS3-MBR-...-W04	R412007371
	Mounting flange kit (G 3/8) AS3-MBR-G038...-W05	R412007366
	Mounting flange kit (G 1/2) AS3-MBR-G012...-W05	R412007367

See accessories section for pre-filter reservoirs

Compressed air maintenance unit, series AS3-Metric

Pre-filter AS3-FLP, 0.3 micron, G 3/8 - G 1/2, ATEX approved



- 1) Semi-automatic condensate drain
- 2) Fully automatic condensate drain

A1	A4	B	C	D	F	H	J	K	O	R	T	U	W
G 3/8	G 1/8	63	74	189,5	80	206	72,5	71	60	7	16	72	5
G 1/2	G 1/8	63	74	189,5	80	206	72,5	71	60	7	16	72	5

Compressed air maintenance unit, series AS3-Metric

Coalescing filter AS3-FLC, 0.01 micron, G 3/8 - G 1/2, ATEX approved



Technical Data

Type	Micro-filter element replaceable	
Supply pressure	See table	
Temperature range	-10 °C to +50 °C (14 °F to +122 °F) *	
Medium	Compressed air	
Weight	See table	
Installation position	vertical	
Materials	Body	Polyamide, seals Buna-N(NBR)
	Thread insert	Die-cast zinc
	Reservoir	Polycarbonate or die cast zinc, with bayonet catch
	Bowl guard	Polyamide (polycarbonate bowls only)
	Cover	ABS
	Filter element	Borsilicate glass fibre
Reservoir capacity	49 cm ³ (1.6 U.S. Fl. oz.) (semi-automatic)	
Filter porosity	0,01 µm	
ATEX	In zone 1 (gas-ex, category 2G) In zone 21 (dust-ex, category 2D) In zone 2 (gas-ex, category 3G) In zone 22 (dust-ex, category 3D)	
Standard	NFE 49004	



* with dried air

Micro filter for the separation of oil, water and solid impurities of up to 0.01 µm from compressed air and gases

For quality classes according to DIN ISO 8573-1

- Solid impurities: class 1

- Oil content: class 1

The filter element must be replaced after a pressure rise Δp of max. 0,35 bar (5 psi) or once a year.

Filter is resistant to mineral oils and synthetic oils

Oil separation, residual oil content < 0.01 mg/m³ at t = 20 °C (68 °F) and p₁ = 7 bar (102 psi)

Plastic containers may only be cleaned with water, soap suds, and other similar, neutral agents.

Note: All Series AS filter drains include a manual drain function as standard.

Part no.

Symbol	Threaded ports	Nominal flow Q _n [l/min] (CFM)	Supply pressure [bar](psi)	Options	Weight [kg](lbs.)	Part no. (Poly./Metal) (*w/contam. display)
	G 3/8	700 (25)	0,5 - 16 (7 - 232)	Polycarbonate w/guard or metal bowl, with or w/o contamination display, semi-automatic, w/o pressure: open	0,361 (0.796)	R412007036/R412007042 R412007054*/R412007060*
	G 3/8	700 (25)	1,5 - 16 (21 - 232)	Polycarbonate w/guard or metal bowl, with or w/o contamination display, fully automatic, w/o pressure: open	0,410 (0.904)	R412007037/R412007043 R412007055*/R412007061*
	G 3/8	700 (25)	0 - 16 (0 - 232)	Polycarbonate w/guard or metal bowl, with or w/o contamination display, fully automatic, w/o pressure: closed	0,410 (0.904)	R412007038/R412007044 R412007056*/R412007062*
	G 1/2	700 (25)	0,5 - 16 (7 - 232)	Polycarbonate w/guard or metal bowl, with or w/o contamination display, semi-automatic, w/o pressure: open	0,361 (0.796)	R412007045/R412007051 R412007063*/R412007069*
	G 1/2	700 (25)	1,5 - 16 (21 - 232)	Polycarbonate w/guard or metal bowl, with or w/o contamination display, fully automatic, w/o pressure: open	0,410 (0.904)	R412007046/R412007052 R412007064*/R412007070*
	G 1/2	700 (25)	0 - 16 (0 - 232)	Polycarbonate w/guard or metal bowl, with or w/o contamination display, fully automatic, w/o pressure: closed	0,410 (0.904)	R412007047/R412007053 R412007065*/R412007071*

Nominal flow at inlet pressure 91 psi and 1.5 psi drop (P₁ = 6.3 bar, ΔP = 0.1 bar)

$$Q = Q_n \times f \quad (f = \text{Correction factor for various supply pressures } p_1)$$


[bar]	p ₁															
	1	2	3	4	5	6	7	8	9	10	11	12	13	14	15	16
[psi]	14	29	43	58	72	87	101	116	130	145	159	174	188	203	217	232
f	0,25	0,38	0,5	0,65	0,75	0,88	1	1,13	1,25	1,38	1,5	1,63	1,75	1,88	2	2,13

Compressed air maintenance unit, series AS3-Metric

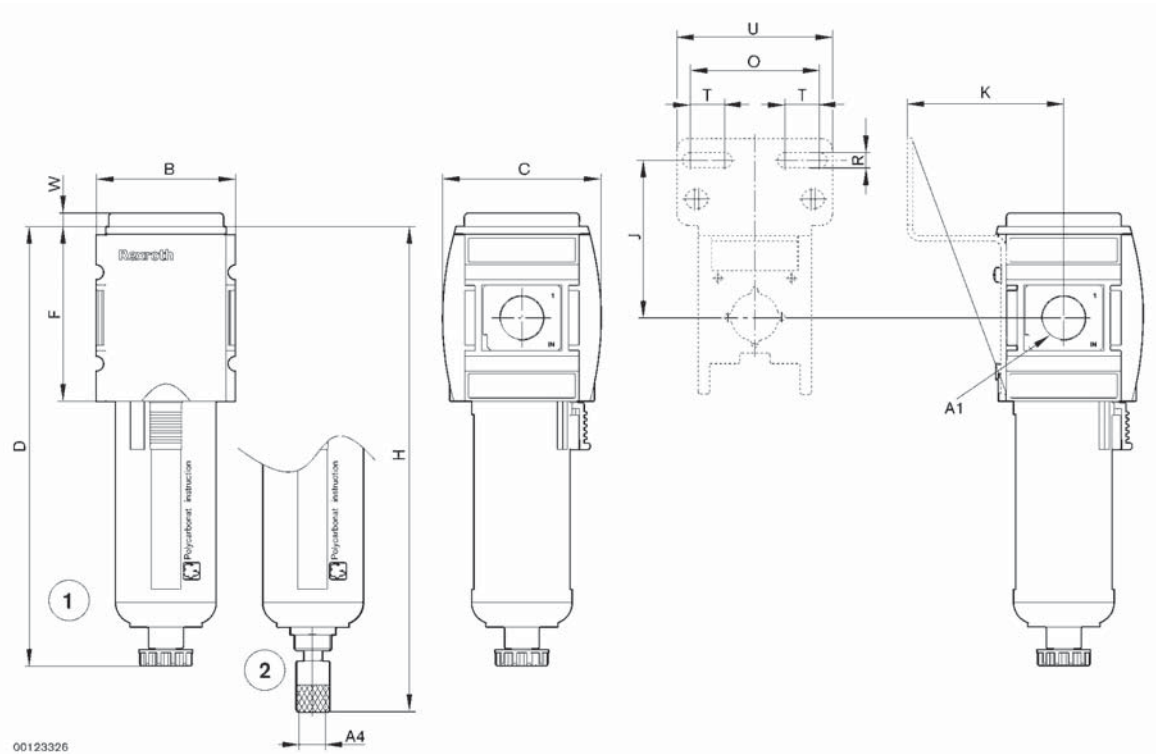
Coalescing filter AS3-FLC, 0.01 micron, G 3/8 - G 1/2, ATEX approved



▲ Accessories (to be ordered separately)

	Accessory	Part no.
	Contamination display AS	R412006363
	Filter element	R961400141
	Mounting plate AS3-MBR-...-W01	R432031072
	Mounting strap AS3-MBR-...-W03	R412007370
	Block assembly kit AS3-MBR-...-W04	R412007371
	Mounting flange kit (G 3/8) AS3-MBR-G038...-W05	R412007366
	Mounting flange kit (G 1/2) AS3-MBR-G012...-W05	R412007367

See accessories section for microfilter reservoirs



- 1) Semi-automatic condensate drain
- 2) Fully automatic condensate drain

A1	A4	B	C	D	F	H	J	K	O	R	T	U	W
G 3/8	G 1/8	63	74	189,5	80	206	72,5	71	60	7	16	72	5
G 1/2	G 1/8	63	74	189,5	80	206	72,5	71	60	7	16	72	5

Compressed air maintenance unit, series AS3-Metric

Active carbon filter AS3-FLA, G 3/8 - G 1/2, ATEX approved



Technical Data

Type	Filter element replaceable	
Supply pressure	See table	
Temperature range	-10 °C to +50 °C (14 °F to +122 °F) *	
Medium	Compressed air	
Weight	See table	
Installation position	vertical	
Materials	Body Thread insert Reservoir Bowl guard Filter element Cover	Polyamide, seals Buna-N(NBR) Die-cast zinc Polycarbonate or die cast zinc, with bayonet catch Polyamide (polycarbonate bowls only) Active carbon ABS
Reservoir capacity	49 cm ³ (1.6 U.S. Fl. oz.)	
ATEX	In zone 1 (gas-ex, category 2G) In zone 21 (dust-ex, category 2D) In zone 2 (gas-ex, category 3G) In zone 22 (dust-ex, category 3D)	



* with dried air

Active carbon filter for absorption of oil vapor in compressed air and gases

For quality classes according to DIN ISO 8573-1

- Solid impurities: class 3

- Humidity - water content: class 8

- Oil content: class 1

Oil separation, residual oil content < 0.005 mg/m³ at t = 20 °C (68 °F) and p₁ = 7 bar (102 psi)

A micro filter must be connected upstream as a prefilter

Part no.

Symbol	Threaded ports	Nominal flow Q _n [l/min](CFM)	Supply pressure [bar](psi)	Weight [kg](lbs.)	Part no. (Poly./Metal)
	G 3/8	1000 (35)	0 - 16 (0 - 232)	0.375 (0.827)	R412007072/R412007074
	G 1/2	1000 (35)	0 - 16 (0 - 232)	0.375 (0.827)	R412007075/R412007077

Nominal flow at inlet pressure 91 psi and 1.5 psi drop (P₁ = 6.3 bar, ΔP = 0.1 bar)

Q = Q_n x f (f = Correction factor for various supply pressures p₁)

[bar]	p ₁															
	1	2	3	4	5	6	7	8	9	10	11	12	13	14	15	16
[psi]	14	29	43	58	72	87	101	116	130	145	159	174	188	203	217	232
f	0,25	0,38	0,5	0,65	0,75	0,88	1	1,13	1,25	1,38	1,5	1,63	1,75	1,88	2	2,13

Accessories (to be ordered separately)

Accessory

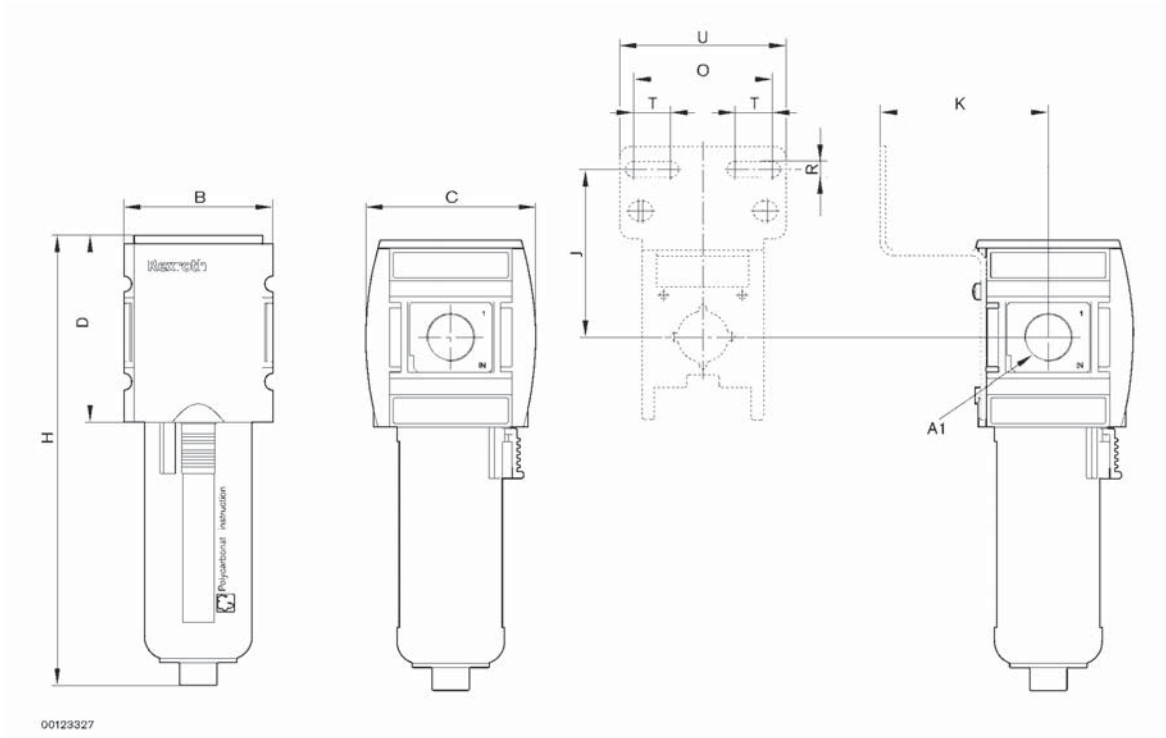
Part no.

	Active carbon filter reservoir AS3-CLA, metal (no glass)	R412007349
	Active carbon filter reservoir AS3-CLA (polymer)	R412007347
	Active carbon filter element	R961400143
	Mounting plate AS3-MBR-...-W01	R432031072
	Mounting strap AS3-MBR-...-W03	R412007370
	Block assembly kit AS3-MBR-...-W04	R412007371
Mounting flange kit (G 3/8) AS3-MBR-G038...-W05	R412007366	
Mounting flange kit (G 1/2) AS3-MBR-G012...-W05	R412007367	

* see accessories

Compressed air maintenance unit, series AS3-Metric

Active carbon filter AS3-FLA, G 3/8 - G 1/2, ATEX approved



A1	B	C	D	H	J	K	O	R	T	U
G 3/8	63	74	80	183	72,5	71	60	7	16	72
G 1/2	63	74	80	183	72,5	71	60	7	16	72

Compressed air maintenance unit, series AS3-Metric

Lubricator, oil-drop AS3-LBS, with semi-automatic oil filling,
G 3/8 - G 1/2, ATEX approved



Technical Data

Type	Inspection glass with slotted screw for oil metering Can be filled with oil during operation	
Supply pressure	See table	
Temperature range	-10 °C to +50 °C (14 °F to +122 °F) *	
Medium	Compressed air	
Weight	See table	
Installation position	vertical	
Materials	Body Thread insert Reservoir Bowl guard Seal	Polyamide, seals Buna-N(NBR) Die-cast zinc Polycarbonate or die cast zinc, with bayonet catch Polyamide (polycarbonate bowls only) ABS
Reservoir capacity	80 cm ³ (2.7 U.S. Fl. oz.)	
ATEX	In zone 1 (gas-ex, category 2G) In zone 21 (dust-ex, category 2D) In zone 2 (gas-ex, category 3G) In zone 22 (dust-ex, category 3D)	



* with dried air

Oil type: HL 68 (DIN 51 524 - ISO VG 68)

Standard values for oil metering: 1-2 drops / min at a nominal flow rate of Q_n = 1000 l / min (35.30 CFM)

Plastic containers may only be cleaned with water, soap suds, and other similar, neutral agents.

The unit is equipped with a semi-automatic oil filling mechanism (standard). A threaded connector located in the lower section of the container can be used to connect a hose to the oil tank.

Pressing the top button opens a Venturi nozzle that provides a vacuum in the upper section of the container. This draws the oil into the container.

Part no.

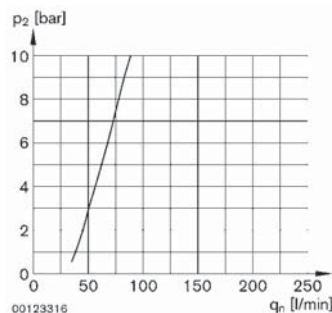
Symbol	Threaded ports	Nominal flow Q _n [l/min] (CFM)	Supply pressure [bar](psi)	Options	Weight [kg](lbs.)	Part no. (Poly./Metal)
	G 3/8	8000 (282)	0,5 - 16 (7 - 232)	Polycarbonate w/guard or metal bowl **Ready for level sensor (non ATEX)	0,343 (0.756)	R412007225 / R412007229 R412007232 / (n/a)
	G 1/2	8000 (282)	0,5 - 16 (7 - 232)	Polycarbonate w/guard or metal bowl **Ready for level sensor (non ATEX)	0,343 (0.756)	R412007231/R412007235 R412007226 / (n/a)

Nominal flow at inlet pressure 91 psi and 15 psi drop (P₁ = 6.3 bar, ΔP = 1 bar)

Accessories (to be ordered separately)

Accessory	Part no.
Lubricator reservoir AS3-CBS, metal (w/sight glass) Lubricator reservoir AS3-CBS (polycarbonate) Lubricator metering set, polycarbonate	R412007358 R412007352 R961400032
Mounting plate AS3-MBR-...-W01 Mounting strap AS3-MBR-...-W03 Block assembly kit AS3-MBR-...-W04 Mounting flange kit (G 3/8) AS3-MBR-G038...-W05 Mounting flange kit (G 1/2) AS3-MBR-G012...-W05 **For low oil level sensor options, see Accessories Section	R432031072 R412007370 R412007371 R412007366 R412007367

Lubrication activation margin



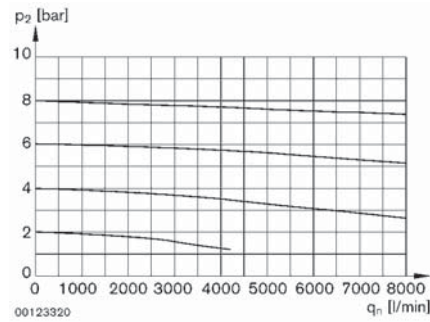
p₂ = Secondary pressure; q_{n,min.} = Min. nominal flow

Compressed air maintenance unit, series AS3-Metric

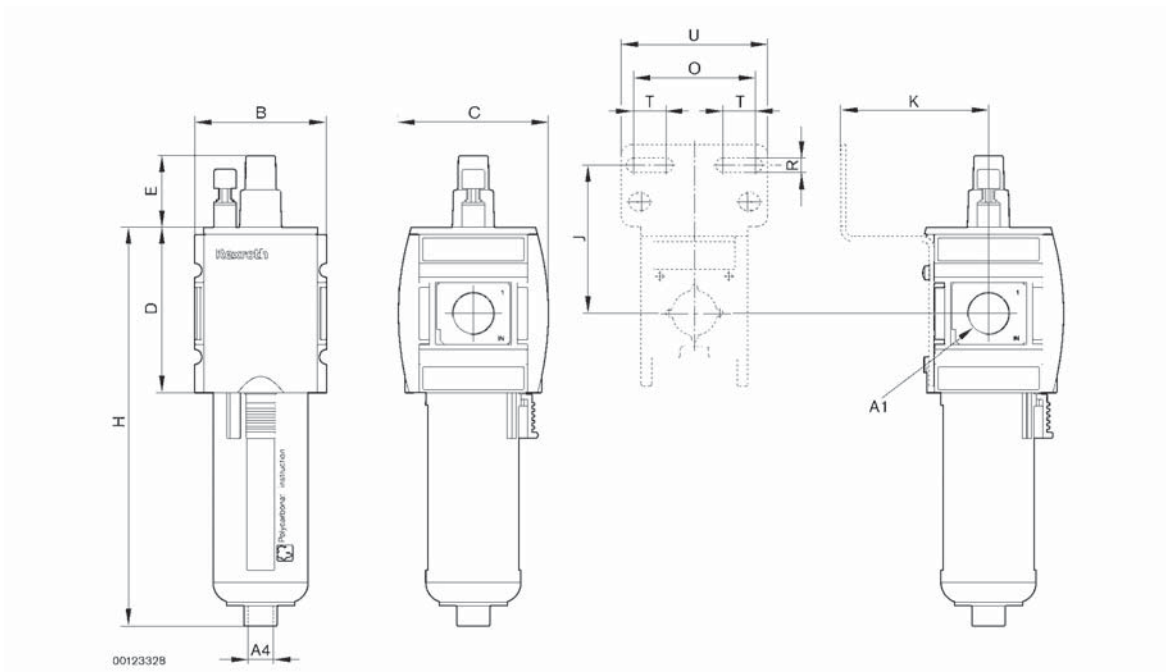
Lubricator AS3-LBS, with semi-automatic oil filling,
G 3/8 - G 1/2, ATEX approved



Flow rate characteristic



p_1 = Supply pressure; p_2 = Secondary pressure; q_n = Nominal flow



A1	A4	B	C	D	E	H	J	K	O	R	T	U
G 3/8	G 1/8	63	74	80	26	183	72,5	71	60	7	16	72
G 1/2	G 1/8	63	74	80	26	183	72,5	71	60	7	16	72

Compressed air maintenance unit, series AS3-Metric

3/2 directional-control dump valve AS3-SOV, electrically operated,
G 3/8 - G 1/2



Technical Data

Type	Poppet valve
Working pressure	2.5 - 10 bar (36 - 145 psi)
Nominal flow q_n	see table
Secondary pressure	6.3 bar (91 psi) and $\Delta p = 1$ bar (15 psi)
Ambient temperature	-10 °C to +50 °C (14 °F to +122 °F) *
Medium	Compressed air
Weight	see table
Pickup power with AC 50 Hz	2.2 VA
Holding power with AC 50 Hz	1.6 VA
Power consumption with DC	2 W
Relative switch-on duration	100 %
Protection class (DIN 40 050) with electrical connector	IP 65 (NEMA 4)
Installation position:	any
Materials (body)	Polyamide, seals Buna-N(NBR)
Thread bushing	Die-cast zinc
Cover	ABS

* with dried air

Version:

Cut-off and sequencing valve with unrestricted cross-section.
Two switch positions: a) Basic position: input closed, output ventilated; b) Operated: input and output connected, exhaust closed.
Connection via electrical connector shape C, DIN 43 650, see online catalog series CN1.
Please observe note regarding compressed air preparation!

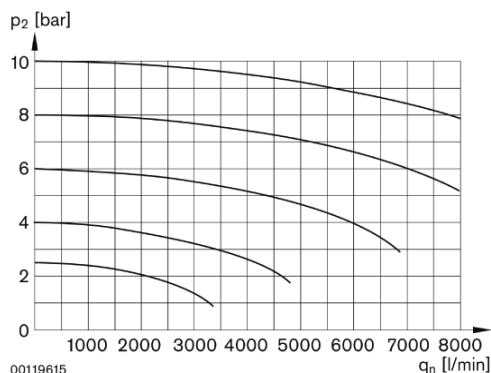


	Thread connection [psi]	Operational voltage	q_n l/min [CFM]	Operating pressure	Weight kg [lbs]	Notes	Part No.
	G 3/8	-	-	-	0.459 (1.01)	1	R412007264
	G 3/8	-	-	-	0.459 (1.01)	2	R412007258
	G 3/8	24VDC ±10%	4500 (159)	36 ... 145	0.459 (1.01)	3	R412007265
	G 3/8	110VAC 50/60Hz	-	-	0.459 (1.01)	3	R412007266
	G 3/8	240VAC 50/60Hz	-	-	0.459 (1.01)	3	R412007267
	G 1/2	-	-	-	0.459 (1.01)	1	R412007268
	G 1/2	-	-	-	0.459 (1.01)	2	R412007259
	G 1/2	24VDC ±10%	4500 (159)	36 ... 145	0.459 (1.01)	3	R412007269
	G 1/2	110VAC 50/60Hz	-	-	0.459 (1.01)	3	R412007270
	G 1/2	240VAC 50/60Hz	-	-	0.459 (1.01)	3	R412007271

- 1) without DO16 pilot valve 2) with CNOMO interface, without pilot valve
3) with DO16 pilot valve (use electrical connector DIN Form C, series CN1)

Flow rate characteristic

p_2 = secondary pressure
 q_n = nominal flow

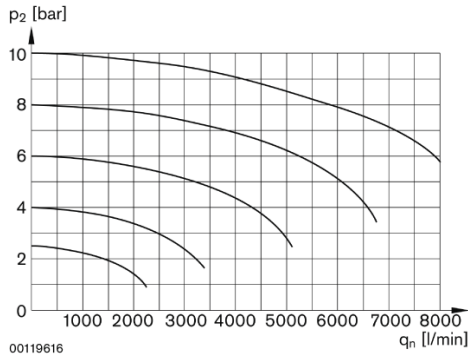


Compressed air maintenance unit, series AS3-Metric

3/2 directional-control dump valve AS3-SOV, electrically operated,
G 3/8 - G 1/2

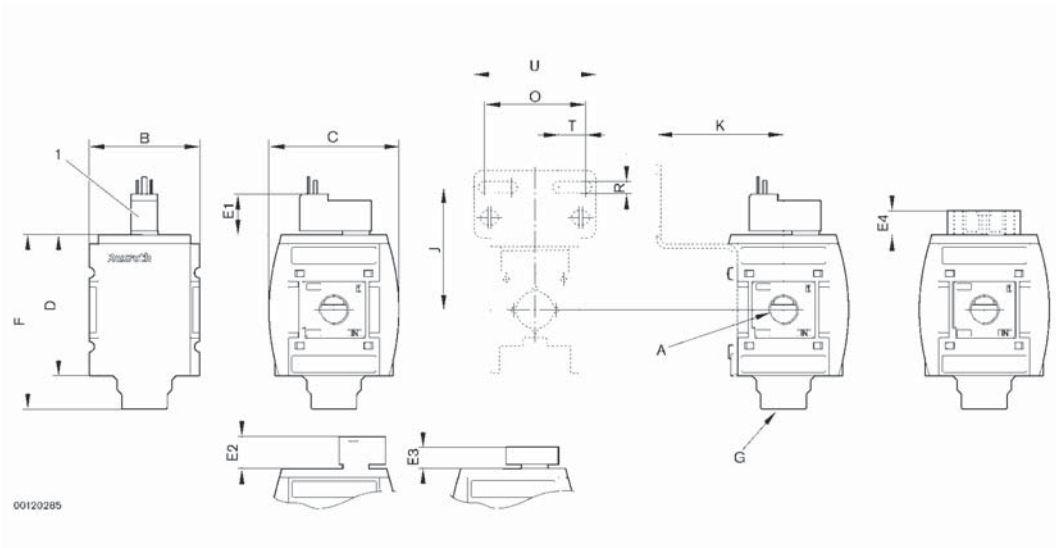


Rear exhaust



p₂ = secondary pressure
q_n = nominal flow

Drawing



(mounting bracket not included, order separately)

A	G	B	C	D	E1	E2	E3	E4	F	J	K	O	R	T
G3/8	G1/2	63	74	80	23.2	18.5	12.3	10	99	72.5	66	60	7	16
G1/2	G1/2	63	74	80	23.2	18.5	12.3	10	99	72.5	66	60	7	16
A	U													
G3/8	72													
G1/2	72													

Compressed air maintenance unit, series AS3-Metric

3/2 directional-control dump valve AS3-SOV, pneumatically operated,
G 3/8 - G 1/2, ATEX approved



Technical Data

Type	Poppet valve
Working pressure	2.5 - 10 bar (36 - 145 psi)
Nominal flow q_n	see table
Secondary pressure	6.3 bar (91 psi) and $\Delta p = 1$ bar (15 psi)
Ambient temperature	-10 °C to +50 °C (14 °F to +122 °F) *
Medium	Compressed air
Weight	see table
Installation position	any

Materials (body)	Polyamide, seals Buna-N(NBR)
Thread bushing	Die-cast zinc
Cover	ABS

ATEX:	In zone 1 (gas-ex, category 2G)
	In zone 21 (dust-ex, category 2D)
	In zone 2 (gas-ex, category 3G)
	In zone 22 (dust-ex, category 3D)

* with dried air

Version:

Cut-off and sequencing valve with unrestricted cross-section.

Two switch positions: a) Basic position: input closed, output ventilated; b) Operated: input and output connected, exhaust closed.

Please observe note regarding compressed air preparation!



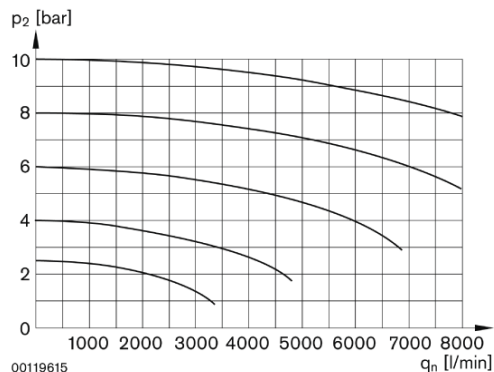
Part no.

Symbol	Threaded ports	Nominal flow Q_n [l / min](CFM)	With options	Weight [kg](lbs.)	Part no.
	G 3/8	4500 (159)	Change-over valve / shut-off valve pneumatically operated	0,459 (1.01)	R412007262
	G 1/2	4500 (159)	Change-over valve / shut-off valve pneumatically operated	0,459 (1.01)	R412007263

Accessories (to be ordered separately)

	Accessory	Part no.
	Silencer: sintered bronze G 1/2 (sold in multiples of 2)	1827000003
	Mounting strap AS3-MBR-...-W03	R412007370
	Mounting plate AS3-MBR-...-W01	R432031072
	Block assembly kit AS3-MBR-...-W04	R412007371

Flow rate characteristic



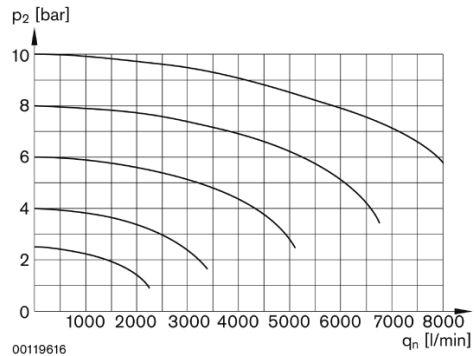
p_2 = secondary pressure
 q_n = nominal flow

Compressed air maintenance unit, series AS3-Metric

3/2 directional-control dump valve AS3-SOV, pneumatically operated,
G 3/8 - G 1/2, ATEX approved

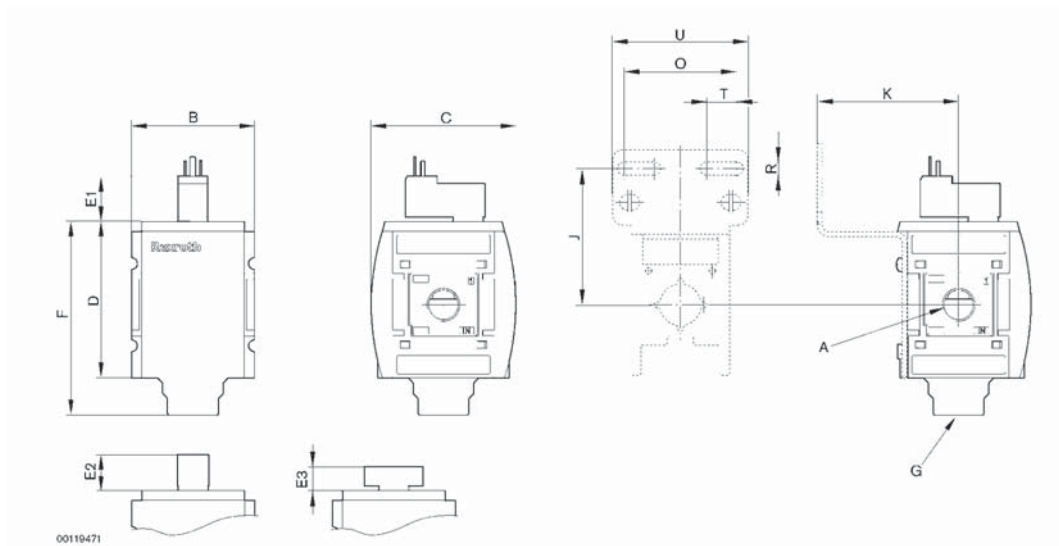


Rear exhaust



p_2 = secondary pressure
 q_n = nominal flow

Drawing



(mounting bracket not included, order separately)

A	G	B	C	D	E1	E2	E3	F	J	K	O	R	T	U
G3/8	G1/2	63	74	80	23.2	18.5	12.3	99	72.5	66	60	7	16	72
G1/2	G1/2	63	74	80	23.2	18.5	12.3	99	72.5	66	60	7	16	72

Compressed air maintenance unit, series AS3-Metric

3/2 directional-control dump valve AS3-SOV, electrically operated,
G 3/8 - G 1/2, with valve position feedback



Technical Data

Type	Poppet valve, can be assembled into blocks
Working pressure	2.5 - 10 bar (36 - 145 psi)
Nominal flow q _n	see table
Secondary pressure	6.3 bar (91 psi) and Δ p = 1 bar (15 psi)
Ambient temperature	-10 °C to +50 °C (14 °F to +122 °F) *
Medium	Compressed air
Weight	see table
Installation position	any

Materials (body)	Polyamide, seals Buna-N(NBR)
Thread bushing	Die-cast zinc
Cover	ABS



Technical Remarks

- The pressure dew point must be at least 15 °C under ambient and medium temperature and may not exceed 3 °C.
- Can be used in circuits with increased efficiency.
- An ST6 sensor (contactless) is used to detect the piston position in the not actuated state (position: exhaust).

Operating voltage	Power consumption
DC	DC
	W
24 V	2

	Port	Exhaust	Operating voltage	Q _n		Weight	Note	Part No.	
				DC					
				1►2	2►3				
				[l/min]		[kg]			
	G 3/8		24 V	4500	4500	3200	0.459	1); 3); 5)	R412007377
	G 3/8							1); 4); 5)	R412007378
	G 3/8							1); 3)	R412007379
	G 3/8							1); 4)	R412007380
	G 1/2	G 1/2						1); 3); 5)	R412007383
	G 1/2							1); 4); 5)	R412007384
	G 1/2							1); 3); 6)	R412007385
G 1/2		1); 4); 6)	R412007386						
	G 3/8		-	4500	4500	3200	0.459	2); 3)	R412007381
	G 3/8	G 1/2						2); 4)	R412007382
	G 1/2							2); 3)	R412007387
	G 1/2							2); 4)	R412007388

- 1) Basic valve with pilot valve
 - 2) Basic valve without pilot valve
 - 3) Electronic sensor (part no. 0830100629) included in scope of delivery (assembled).
 - 4) Sensor not included in scope of delivery, sensor installation prepared.
 - 5) Electr. connection: Plug; ISO 15217, form C
 - 6) Electr. connection: Socket; M12x1
- Nominal flow Q_n at 6.3 bar and Δ p = 1 bar.

Dimensions and flow diagrams are available from our online catalog.

Compressed air maintenance unit, series AS3-Metric

3/2-way shut-off valve (ball valve) AS3-BAV, mechanically operated, lockable,
G 3/8 - G 1/2, ATEX approved



Technical Data

Type	3/2 directional-control valve, operated by a knob, 3-fold lockable	
Nominal flow	See table	
Secondary pressure = 6,3 bar (91 psi) and $\Delta p = 1$ bar (15 psi)		
Ambient temperature	-10°C to +50 °C (14 °F to +122 °F) *	
Medium	Compressed air	
Weight	See table	
Installation position	any	
Materials	Body	Polyamide, seals Buna-N(NBR)
	Thread bushing	Die-cast zinc
	Cover	ABS
	Lockable slide plate	Zinc plated steel
ATEX:	In zone 1 (gas-ex, category 2G) In zone 21 (dust-ex, category 2D) In zone 2 (gas-ex, category 3G) In zone 22 (dust-ex, category 3D)	



* with dried air

Knob, can be turned 90° (Open-Closed) and can be locked in the closed position with a padlock
Knob with switch position display: crosswise: inlet closed, outlet to exhaust; lengthways: inlet and outlet connected, air exhaust closed

Exhaust air can be collected (G1/2)

Air exhaust from connection A to R: nominal size 1.5 (internally throttled)

Part no.

Symbol	Threaded ports	Nominal flow Q_n [l/min] (CFM)	Weight [kg](lbs.)	Part no.
	G 3/8	4500 (159)	0.446 (0.953)	R412007260
	G 1/2	4500 (159)	0.446 (0.953)	R412007261

Accessories (to be ordered separately)

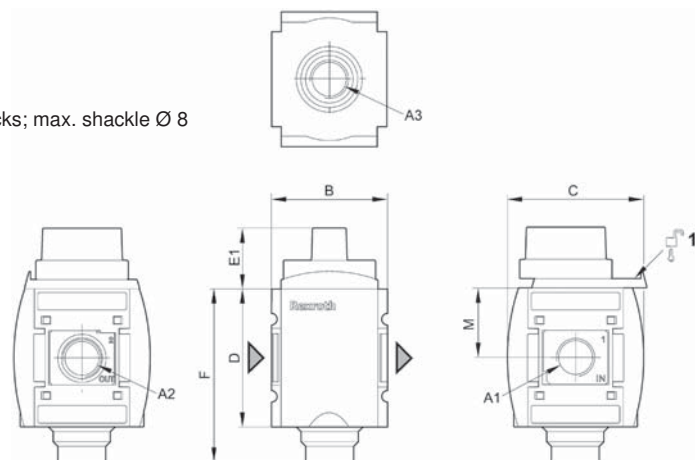
	Accessories	Part no.
	Silencer, sintered bronze G 1/2 (sold in multiples of 2)	1827000003
	Mounting plate AS3-MBR-...-W01	R432031072
	Block assembly kit AS3-MBR-...-W04	R412007371
	Mounting strap AS3-MBR-...-W03	R412007370

A3 = ventilation port

A1 = input

A2 = output

1) Mounting option for padlocks; max. shackle \varnothing 8



A1	A2	A3	B	C	D	E1	F	M					
G 3/8	G 3/8	G 1/2	63	74	80	28	99	42.5					
G 1/2	G 1/2	G 1/2	63	74	80	28	99	42.5					

Compressed air maintenance unit, series AS3-Metric

Filling valve (soft start) AS3-SSV, G 3/8 - G 1/2, ATEX approved



Technical Data

Type	Poppet valve	
Operating pressure	2.5 to 16 bar (36 to 232 psi)	
Nominal flow	Q _n	see table
Secondary pressure	6,3 bar (91 psi) and Δp = 1 bar (15 psi)	
Ambient temperature	-10°C to +50 °C (14 °F to +122 °F) *	
Medium	Compressed air	
Weight	see table	
Installation position	any	
Materials (body)	Polyamide, seals Buna-N(NBR)	
Threaded bushing	Die-cast zinc	
Cover	ABS	
ATEX:	In zone 1 (gas-ex, category 2G) In zone 21 (dust-ex, category 2D) In zone 2 (gas-ex, category 3G) In zone 22 (dust-ex, category 3D)	



* with dried air

Version:

Opening pressure: approx. 50% of input pressure

Actuating method: via secondary pressure

Only for closed systems

Please observe note regarding compressed air preparation!

Additionally technical data: see 3/2 directional-control valve AS 3 and filling valve AS 3

Slowly builds up the pressure in pneumatic installations, i.e. prevents sudden pressure build-up after a restart following mains pressure failure or EMERGENCY OFF, thus preventing dangerous, sudden cylinder movements.

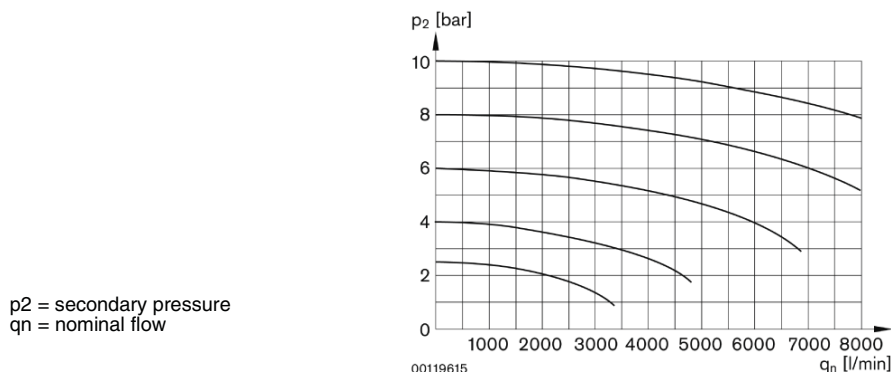
Part no.

Symbol	Threaded ports	Nominal flow Q _n [l / min](CFM)	With options	Weight [kg](lbs.)	Part no.
	G 3/8	4500 (159)	Filling adjustable	0.43 (0.95)	R412007272
	G 1/2	4500 (159)	Filling adjustable	0.43 (0.95)	R412007273

Accessories (to be ordered separately)

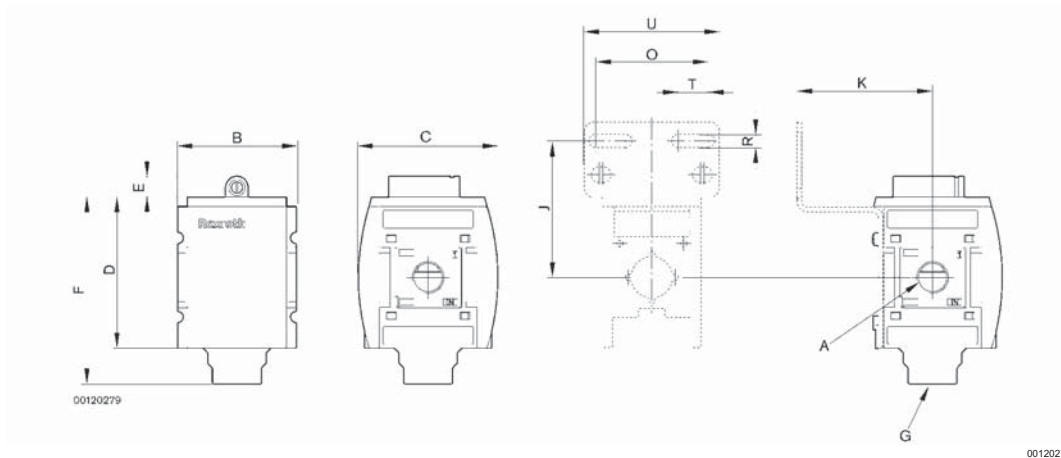
Accessory	Part no.
Mounting plate AS3-MBR-...-W01	R432031072
Mounting strap AS3-MBR-...-W03	R412007370
Block assembly kit AS3-MBR-...-W04	R412007371

Flow rate characteristic



Compressed air maintenance unit, series AS3-Metric

Filling valve (soft start) AS3-SSV, G 3/8 - G 1/2, ATEX approved



(mounting bracket not included, order separately)

A	G	B	C	D	E	F	J	K	O	R	T	U		
G3/8	G1/2	63	74	80	11	99	72.5	66	60	7	16	72		
G1/2	G1/2	63	74	80	11	99	72.5	66	60	7	16	72		

Compressed air maintenance unit, series AS3-Metric

Distributor block AS3-DIS, 4-way, G 3/8 - G 1/2, ATEX approved



Technical Data

Nominal flow	Q _n	See table
Operating pressure		0 - 16 bar (0 to 232 psi)
Ambient temperature range		-10 °C to +50 °C (14 °F to +122 °F) *
Medium		Compressed air
Weight		See table
Installation position		any

Materials	Body	Polyamide, seals Buna-N(NBR)
	Threaded insert	Die cast Zinc
	Cover	ABS

ATEX	In zone 1 (gas-ex, category 2G)
	In zone 21 (dust-ex, category 2D)
	In zone 2 (gas-ex, category 3G)
	In zone 22 (dust-ex, category 3D)



Suitable for flange assembly of a mechanical vacuum/pressure switch

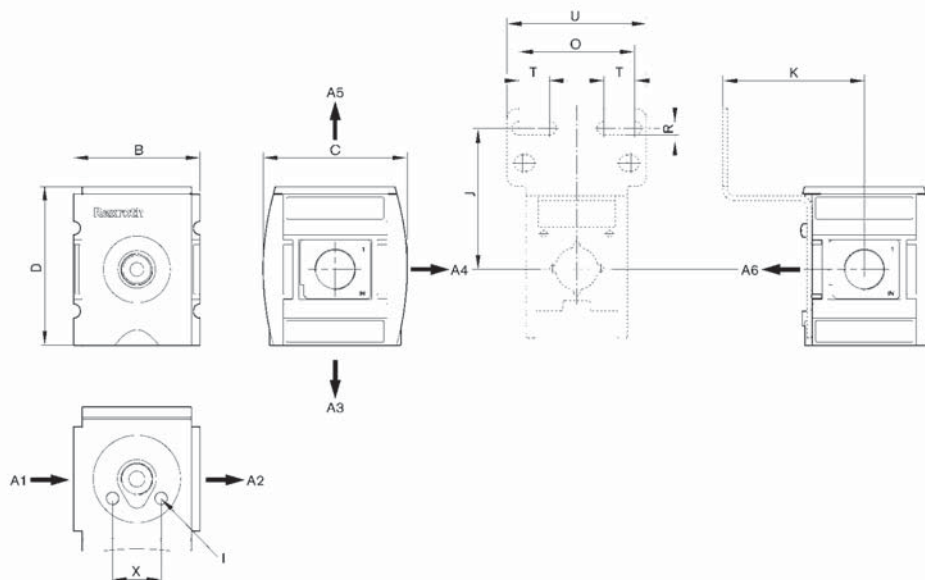
Part no.

Symbol	Threaded ports	Nominal flow Q _n [l/min] (CFM)	Weight [kg] (lbs)	Part no.
	G 3/8	7250 (256) (A1-A2) 5500 (194) (A1-A3) 2250 (79) (A1-A4) 2250 (79) (A1-A5) 2250 (79) (A1-A6)	0,320 (0.705)	R412007250
	G 1/2	7250 (256) (A1-A2) 5500 (194) (A1-A3) 2250 (79) (A1-A4) 2250 (79) (A1-A5) 2250 (79) (A1-A6)	0,320 (0.705)	R412007251

Nominal flow at inlet pressure 91 psi and 15 psi drop (P₁ = 6.3 bar, ΔP = 1 bar)

Accessories (to be ordered separately)

Accessory	Part no.
Mechanical pressure switch, pabs = 0.1 - 1 bar (1 - 15 psi)	0821100020
Mechanical vacuum/pressure switch, p1 = 0,2 - 3 bar (2 - 43 psi)	0821100021
Mechanical pressure switch, p1 = 1 - 16 bar (15 - 232 psi)	0821100023
Mounting plate AS3-MBR-...-W01	R432031072
Mounting strap AS3-MBR-...-W03	R412007370
Block assembly kit AS3-MBR-...-W04	R412007371
Mounting flange kit (G 3/8) AS3-MBR-G038...-W05	R412007366
Mounting flange kit (G 1/2) AS3-MBR-G012...-W05	R412007367
Spare seal for pressure switch	R961400021



A1 A2	A3	A4 A6	A5	B	C	D	I	J	K	O	R	T	U	X
G 3/8	G 1/2	G 3/8	G 1/4	63	74	80,5	M5	72,5	71	60	7	16	72	20
G 1/2	G 1/2	G 3/8	G 1/4	63	74	80,5	M5	72,5	71	60	7	16	72	20

Compressed air maintenance unit, series AS5-Metric

AS5 Metric (G3/4 and G1) version index



	Page
AS5-ACD Combination FR+L maintenance unit, metric	166
AS5-ACT Combination F+R+L maintenance unit, metric.....	168
AS5-RGS Pressure regulator, metric	170
AS5-FRE Filter regulator, metric	170
AS5-FLS Standard filter (5 or 40 micron), metric	176
AS5-FLP Pre-filter (0.3 micron), metric	178
AS5-FLC Coalescing filter (0.01 micron), metric.....	180
AS5-FLA Active carbon filter, metric.....	183
AS5-LBS Lubricator, metric.....	185
AS5-SOV 3/2 Dump valve, electrically operated, metric.....	187
AS5-SOV 3/2 Dump valve, pneumatically operated, metric.....	189
AS5-BAV Manual shut-off valve, lockable option, metric	191
AS5-SSV Filling valve (soft start), metric	192
AS5-DIS Distributor block, metric.....	193
Accessories index	194
AS5 Mounting brackets and other accessories.....	213
Replacement filter elements/Regulator repair kits.....	223
Pressure gauges.....	224

Compressed air maintenance unit, series AS5-Metric

FR+L Maintenance unit AS5-ACD, 2-in-1 with gauge, 5 micron, G3/4 - G1



00119785

Controller version	Diaphragm-type pressure regulator relieving*, lockable adjustment knob
Filter version	Filter Replaceable filter insert
Filter porosity / size	5 μm
Filter reservoir volume	87 cm^3
Lubricator version	semi-automatic oil filling during operation
Oil type	HL 68 (DIN 51 524 - ISO VG 68)
Lubricator reservoir volume	181 cm^3
Installation location	vertical
Ambient temperature min./max.	-10 °C / +50 °C
Medium	Compressed air to ISO 8573-1:2001
materials:	
Cover	acrylonitrile butadiene styrene (ABS)
Filter insert	polyethylene
Housing	Polyamide
Threaded bushing	Die cast zinc

	Thread connection	Operating pressure [bar]	Adjust. range [bar]	Condensate drain	Part No. (Reservoir material)	
					Polycarb.	Metal
	G 3/4	0 ... 16	0.5 ... 8	fully automatic, closed w/o pressure	R412009300	R412009306
	G 1	0 ... 16		fully automatic, closed w/o pressure	R412009309	R412009315
	G 3/4	1.5 ... 16		fully automatic, open w/o pressure	R412009299	R412009305
	G 1	1.5 ... 16		fully automatic, open w/o pressure	R412009308	R412009314
	G 3/4	0.5 ... 16		semi-automatic, opened w/o pressure	R412009298	R412009304
	G 1	0.5 ... 16		semi-automatic, opened w/o pressure	R412009307	R412009313
Part No.		Reservoir	Protective guard	Qn l/min	Weight [kg]	
Polycarb.	Metal					
R412009300	R412009306	Polycarbonate/ Die cast zinc	Polyamide/ None	12,300	1.878/3.068	
R412009309	R412009315				1.878/3.068	
R412009299	R412009305				1.878/3.068	
R412009308	R412009314				1.878/3.068	
R412009298	R412009304				1.827/3.017	
R412009307	R412009313				1.827/3.017	

Nominal flow Qn at 6.3 bar [91 psi] and $\Delta p = 1$ bar [15 psi]

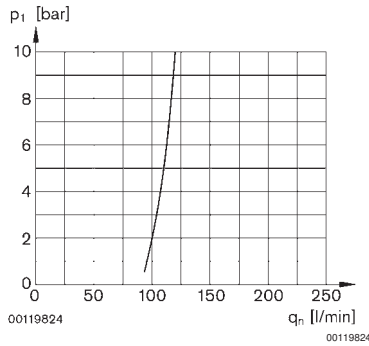
* For AS5 regulators only, improved regulation is achieved by the use of an internal precision regulator. The piloting regulator consumes a maximum of 1.5 l/min at an inlet pressure of 87 psi (6 bar).

Compressed air maintenance unit, series AS5-Metric

FR+L Maintenance unit AS5-ACD, 2-in-1 with gauge, 5 micron, G3/4 - G1

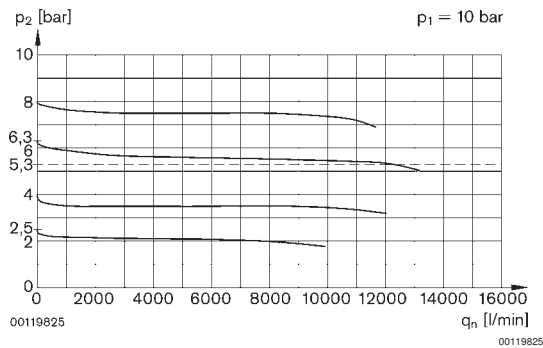


lubricator activation margin



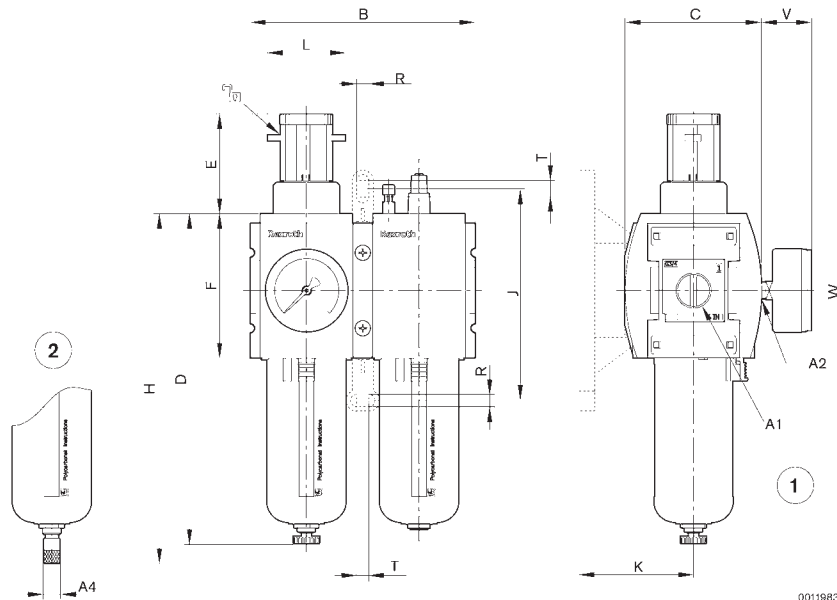
p1 = operating pressure; p2 = secondary pressure; qn = nominal flow; qnmin. = min. nominal flow

flow rate characteristic (setting range p2: 0.5 - 8 bar)



p1 = operating pressure; p2 = secondary pressure; qn = nominal flow; qnmin. = min. nominal flow

dimensioned drawing



- 1) semi-automatic condensate drain
- 2) fully automatic condensate drain

A1	A2	A4	B	C	D	E	F	H	J	K	L	R	T	V	W
G3/4	G1/4	G1/8	170	103	250	75	109	266	140	86.5	59	8.5	10	38	63
G1	G1/4	G1/8	170	103	250	75	109	266	140	86.5	59	8.5	10	38	63

Compressed air maintenance unit, series AS5-Metric

F+R+L Maintenance unit AS5-ACT, 3-in-1 with gauge, 5 micron, G3/4 - G1



00119786

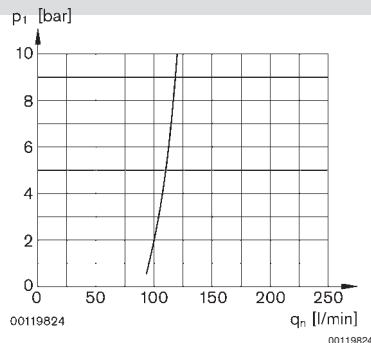
Controller version	Diaphragm-type pressure regulator relieving*, lockable adjustment knob
Filter version	Filter
Filter porosity	Replaceable filter insert
Filter reservoir volume	5 μm
Lubricator version	87 cm^3
Oil type	semi-automatic oil filling during operation
Lubricator reservoir volume	HL 68 (DIN 51 524 - ISO VG 68)
Installation location	181 cm^3
Ambient temperature min./max.	vertical
Medium	-10 °C / +50 °C
materials:	Compressed air to ISO 8573-1:2001
Cover	acrylonitrile butadiene styrene (ABS)
Filter insert	polyethylene
Housing	Polyamide
Threaded bushing	Diecast zinc

	Thread connection	Operating pressure [bar]	Adjust. range [bar]	Condensate drain	Part No. (Reservoir material)	
					Polycarbonate	Metal
	G 3/4	0 ... 16	0.5 ... 8	fully automatic, closed w/o pressure	R412009320	R412009326
	G 1	0 ... 16		fully automatic, closed w/o pressure	R412009329	R412009335
	G 3/4	1.5 ... 16		fully automatic, open w/o pressure	R412009319	R412009325
	G 1	1.5 ... 16		fully automatic, open w/o pressure	R412009328	R412009334
	G 3/4	0.5 ... 16		semi-automatic, opened w/o pressure	R412009318	R412009324
	G 1	0.5 ... 16		semi-automatic, opened w/o pressure	R412009327	R412009333
Part No.		Reservoir	Protective guard	Qn l/min	Weight [kg]	
Polycarb.	Metal				Polycarbonate/ Die cast zinc	None
R412009320	R412009326	Polycarbonate/ Die cast zinc	Polyamide/ None	12,300	2.678/3.217	
R412009329	R412009335				2.678/3.217	
R412009319	R412009325				2.678/3.217	
R412009328	R412009334				2.678/3.217	
R412009318	R412009324				2.627/3.166	
R412009327	R412009333				2.627/3.166	

Nominal flow Qn at 6.3 bar [91 psi] and $\Delta p = 1$ bar [15 psi]

* For AS5 regulators only, improved regulation is achieved by the use of an internal precision regulator. The piloting regulator consumes a maximum of 1.5 l/min at an inlet pressure of 87 psi (6 bar).

lubricator activation margin



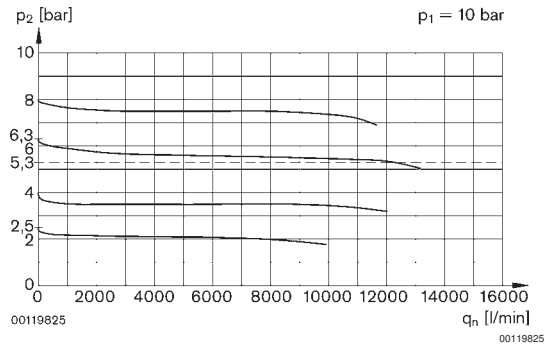
p1 = operating pressure; p2 = secondary pressure; qn = minimum nominal flow

Compressed air maintenance unit, series AS5-Metric

F+R+L Maintenance unit AS5-ACT, 3-in-1 with gauge, 5 micron, G3/4 - G1

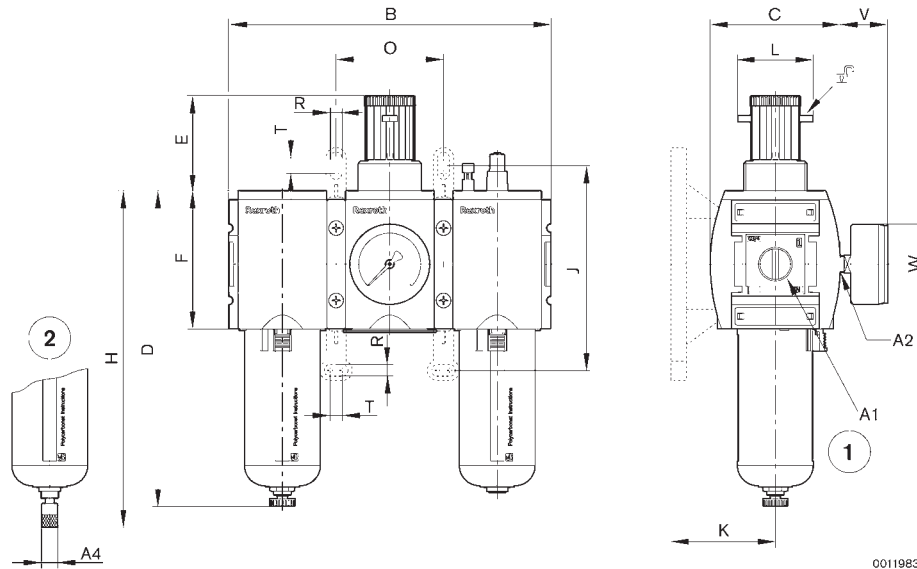


flow rate characteristic (setting range p2: 0.5 - 8 bar)



p1 = working pressure; p2 = secondary pressure; qn = nominal flow

dimensioned drawing



- 1) semi-automatic condensate drain
- 2) fully automatic condensate drain

A1	A2	A4	B	C	D	E	F	H	J	K	L	O	R	T
G3/4	G1/4	G1/8	255	103	250	75	109	266	140	86.5	59	85	8.5	10
G1	G1/4	G1/8	255	103	250	75	109	266	140	86.5	59	85	8.5	10
A1	V	W												
G3/4	38	63												
G1	38	63												

Compressed air maintenance unit, series AS5-Metric

Pressure regulator AS5-RGS, with or without gauge, G3/4 - G1



00119787

Version	Diaphragm-type pressure regulator relieving*, lockable adjustment knob
Installation location	any
Working pressure min./max	-- / 16 bar
Ambient temperature min./max.	-10°C / +50°C
Medium	compressed air acc. to ISO 8573-1: 2001 dry air class 6-4-3
materials:	
Housing	Polyamide
Threaded bushing	Diecast zinc
Cover	acrylonitrile butadiene styrene (ABS)

	Port	Qn [l/min]	Adjustment range [bar]	Pressure gauges	Weight [kg]	Part No.
	G 3/4	14500	0.1 - 1	with gauge	0.997	R412009101
	G 3/4		0.1 - 2			R412009103
	G 3/4		0.2 - 4			R412009105
	G 3/4		0.5 - 8			R412009107
	G 3/4		0.5 - 10			R412009109
	G 3/4		0.5 - 16			R412009111
	G 1		0.1 - 1			R412009113
	G 1		0.1 - 2			R412009115
	G 1		0.2 - 4			R412009117
	G 1		0.5 - 8			R412009119
	G 1		0.5 - 10			R412009121
G 1	0.5 - 16	R412009123				
	G 3/4	14500	0.1 - 1	without gauge	0.905	R412009100
	G 3/4		0.1 - 2			R412009102
	G 3/4		0.2 - 4			R412009104
	G 3/4		0.5 - 8			R412009106
	G 3/4		0.5 - 10			R412009108
	G 3/4		0.5 - 16			R412009110
	G 1		0.1 - 1			R412009112
	G 1		0.1 - 2			R412009114
	G 1		0.2 - 4			R412009116
	G 1		0.5 - 8			R412009118
	G 1		0.5 - 10			R412009120
G 1	0.5 - 16	R412009122				

Nominal flow Qn at 6.3 bar and $\Delta p = 1$ bar.

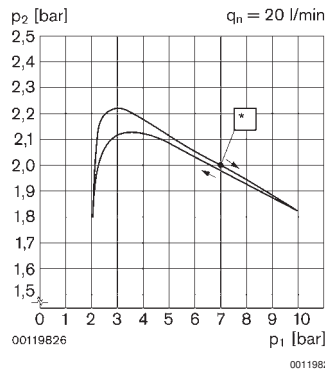
* For AS5 regulators only, improved regulation is achieved by the use of an internal precision regulator. The piloting regulator consumes a maximum of 1.5 l/min at an inlet pressure of 87 psi (6 bar).

Compressed air maintenance unit, series AS5-Metric

Pressure regulator AS5-RGS, with or without gauge, G3/4 - G1

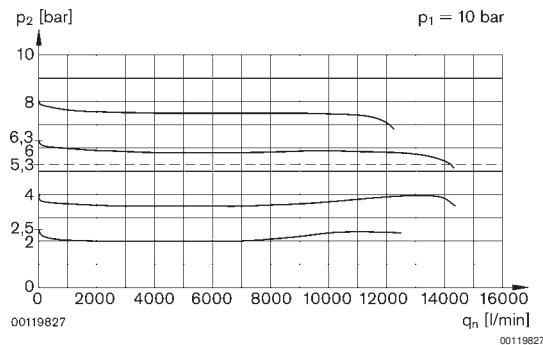


pressure characteristics curve



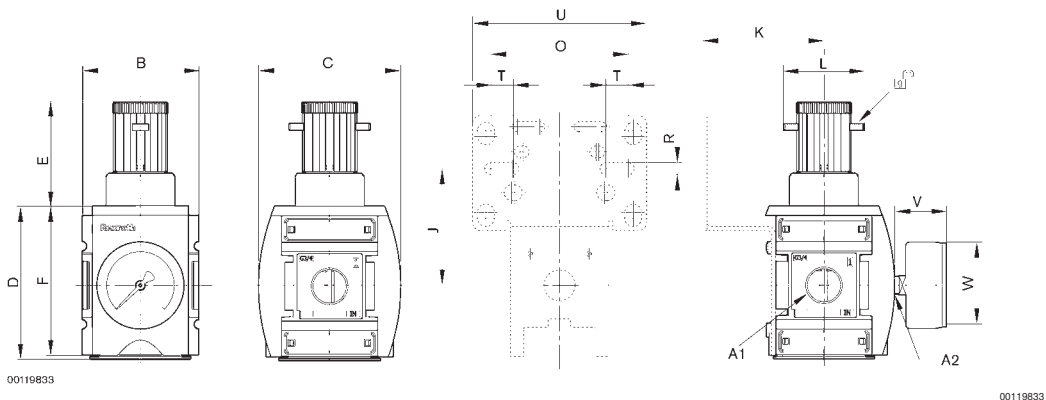
p_1 = working pressure; p_2 = secondary pressure; q = flow rate
* starting point

flow rate characteristic (setting range p_2 : 0.5 - 8 bar)



p_1 = working pressure; p_2 = secondary pressure; q_n = nominal flow

dimensioned drawing



A1	A2	B	C	D	E	F	J	K	L	O	R	T	U	V	W
G3/4	G1/4	85	103	112	75	109	83	87	59	98	7	16	124	38	63
G1	G1/4	85	103	112	75	109	83	87	59	98	7	16	124	38	63

Compressed air maintenance unit, series AS5-Metric

Filter regulator AS5-FRE, with or w/out gauge, 5 or 40 micron, G3/4 - G1



Regulator version	Diaphragm-type pressure regulator
Installation location	vertical
Ambient temperature min./max.	-10 °C / +50 °C
Controller version	relieving*, lockable adjustment knob
Filter version	Filter
	Replaceable filter insert
Filter reservoir volume	87 cm ³
Medium	Compressed air to ISO 8573-1:2001
materials:	
Housing	Polyamide
Threaded bushing	Die cast zinc
Cover	acrylonitrile butadiene styrene (ABS)
Filter insert	polyethylene
Protective guard	polyamide

	Thread connection [bar]	Filter (µm)	Oper. press.	Adjust. range [bar]	Gauge	Condensate drain	Part No. (Reservoir material)	
							Polycarb.	Metal
	G 3/4	5	0.5 ... 16	0.5 ... 8	with gauge	semi-auto., opened w/o pressure	R412009200	R412009206
	G 3/4	5	1.5 ... 16			fully automatic, open w/o pressure	R412009201	R412009207
	G 3/4	5	0 ... 16			fully auto.,closed w/o pressure	R412009202	R412009208
	G 1	5	0.5 ... 16			semi-auto., opened w/o pressure	R412009209	R412009215
	G 1	5	1.5 ... 16			fully automatic, open w/o pressure	R412009210	R412009216
	G 1	5	0 ... 16			fully auto.,closed w/o pressure	R412009211	R412009217
	G 3/4	5	0.5 ... 16	0.5 ... 8	w/o gauge	semi-auto., opened w/o pressure	R412009175	R412009181
	G 3/4	5	1.5 ... 16			fully automatic, open w/o pressure	R412009176	R412009182
	G 3/4	5	0 ... 16			fully auto.,closed w/o pressure	R412009177	R412009183
	G 1	5	0.5 ... 16			semi-auto., opened w/o pressure	R412009184	R412009190
	G 1	5	1.5 ... 16			fully automatic, open w/o pressure	R412009185	R412009191
	G 1	5	0 ... 16			fully auto.,closed w/o pressure	R412009186	R412009192
	G 3/4	5	0.5 ... 16	0.5 ... 10	w/o gauge	semi-auto., opened w/o pressure	R412009193	
	G 3/4	5	1.5 ... 16			fully automatic, open w/o pressure	R412009194	
	G 3/4	5	0 ... 16			fully auto.,closed w/o pressure	R412009195	
	G 1	5	0.5 ... 16			semi-auto., opened w/o pressure	R412009196	
	G 1	5	1.5 ... 16			fully automatic, open w/o pressure	R412009197	
	G 1	5	0 ... 16			fully auto.,closed w/o pressure	R412009198	
	G 3/4	40	0.5 ... 16	0.5 ... 10	w/o gauge	semi-auto., opened w/o pressure	R412009218	
	G 3/4	40	1.5 ... 16			fully automatic, open w/o pressure	R412009219	
	G 3/4	40	0 ... 16			fully auto.,closed w/o pressure	R412009220	
	G 1	40	0.5 ... 16			semi-auto., opened w/o pressure	R412009221	
	G 1	40	1.5 ... 16			fully automatic, open w/o pressure	R412009222	
	G 1	40	0 ... 16			fully auto.,closed w/o pressure	R412009223	

* For AS5 regulators only, improved regulation is achieved by the use of an internal precision regulator. The piloting regulator consumes a maximum of 1.5 l/min at an inlet pressure of 87 psi (6 bar).

Compressed air maintenance unit, series AS5-Metric

Filter regulator AS5-FRE, with or w/out gauge, 5 or 40 micron, G3/4 - G1



Part No.		Flow rate l/min	Reservoir	Protective guard	Weight [kg]
Polycarb.	Metal				
R412009200	R412009206	13,000	Polycarbonate/ Die cast zinc	Polyamide/ None	1.082/1.621
R412009201	R412009207				1.133/1.672
R412009202	R412009208				1.133/1.672
R412009209	R412009215				1.082/1.621
R412009210	R412009216				1.133/1.672
R412009211	R412009217				1.133/1.672
R412009175	R412009181				13,000
R412009176	R412009182	1.041/1.580			
R412009177	R412009183	1.041/1.580			
R412009184	R412009190	0.990/1.529			
R412009185	R412009191	1.041/1.580			
R412009186	R412009192	1.041/1.580			
R412009193		13,000	Polycarbonate	Polyamide	
R412009194					1.041/ --
R412009195					1.041/ --
R412009196					0.990/ --
R412009197					1.041/ --
R412009198					1.041/ --
R412009218					13,000
R412009219		1.041/ --			
R412009220		1.041/ --			
R412009221		0.990/ --			
R412009222		1.041/ --			
R412009223		1.041/ --			

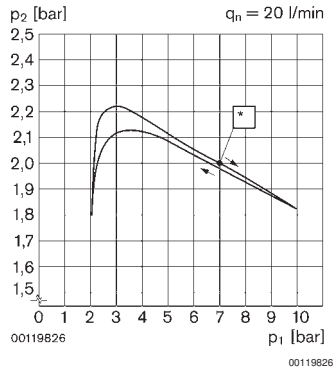
Nominal flow Qn at 6.3 bar [91 psi] and $\Delta p = 1$ bar [15 psi]

Compressed air maintenance unit, series AS5-Metric

Filter regulator AS5-FRE, with or w/out gauge, 5 or 40 micron, G3/4 - G1

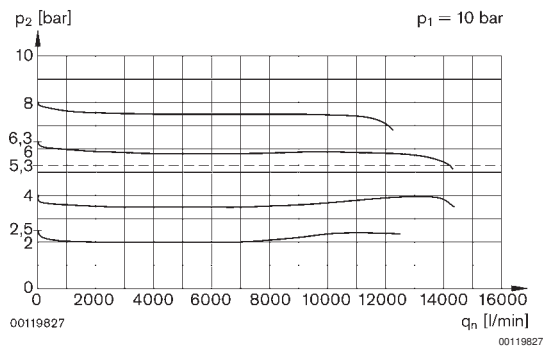


pressure characteristics curve



p_1 = working pressure; p_2 = secondary pressure; q = flow rate
* starting point

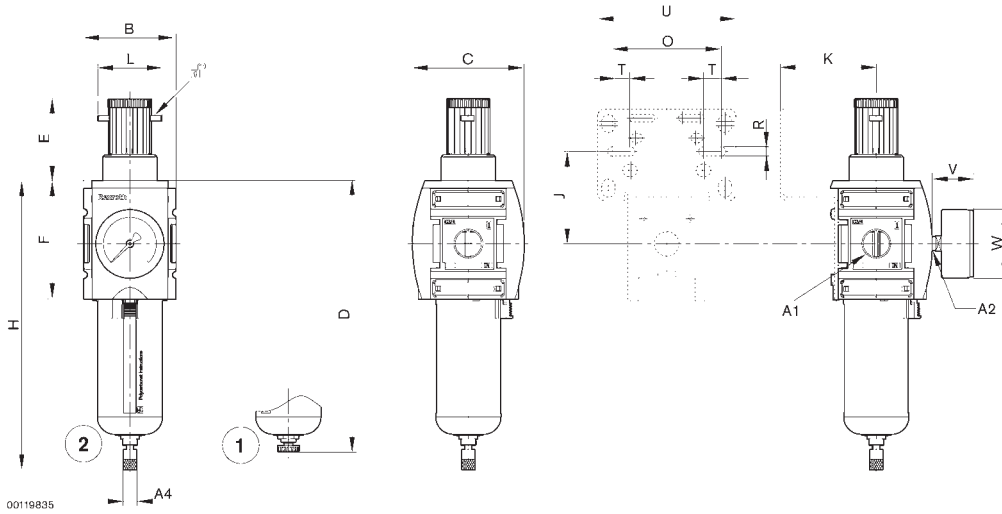
flow rate characteristic (setting range p_2 : 0.5 - 8 bar)



p_1 = working pressure; p_2 = secondary pressure; q_n = nominal flow; q = flow rate

Compressed air maintenance unit, series AS5-Metric

Filter regulator AS5-FRE, with or w/out gauge, 5 or 40 micron, G3/4 - G1



- 1) semi-automatic condensate drain
- 2) fully automatic condensate drain

A1	A2	A4	B	C	D	E	F	H	J	K	L	O	R	T
G3/4	G1/4	G1/8	63	103	250	75	109	266	83	87	59	98	7	16
G1	G1/4	G1/8	63	103	250	75	109	266	83	87	59	98	7	16
A1	U	V	W											
G3/4	124	38	63											
G1	124	38	63											

Compressed air maintenance unit, series AS5-Metric

Standard filter AS5-FLS, 5 or 40 micron, G3/4 - G1



Ambient temperature min./max.	-10°C / +50°C
Installation location	vertical
Version	Replaceable filter insert
Filter reservoir volume	87 cm ³
Medium	Compressed air to ISO 8573-1:2001
materials:	
Housing	Polyamide, seals Buna-N (NBR)
Threaded bushing	Diecast zinc
Cover	acrylonitrile butadiene styrene (ABS)
Filter insert	polyethylene

	Thread connection [bar]	Filter (µm)	Oper. press.	Flow rate [l/min]	Condensate drain	Part No. (Reservoir material)		
						Polycarb.	Metal	
	G 3/4	5	0.5 ... 16	7800	semi-auto., opened w/o pressure	R412009000	R412009006	
	G 3/4	5	1.5 ... 16		fully automatic, open w/o pressure	R412009001	R412009007	
	G 3/4	5	0 ... 16		fully auto., closed w/o pressure	R412009002	R412009008	
	G 3/4	40	0.5 ... 16		semi-auto., opened w/o pressure	R412009003		
	G 3/4	40	1.5 ... 16		fully automatic, open w/o pressure	R412009004		
	G 3/4	40	0 ... 16		fully auto., closed w/o pressure	R412009005		
	G 1	5	0.5 ... 16	7800	semi-auto., opened w/o pressure	R412009009	R412009015	
	G 1	5	1.5 ... 16		fully automatic, open w/o pressure	R412009010	R412009016	
	G 1	5	0 ... 16		fully auto., closed w/o pressure	R412009011	R412009017	
	G 1	40	0.5 ... 16		semi-auto., opened w/o pressure	R412009012		
	G 1	40	1.5 ... 16		fully automatic, open w/o pressure	R412009013		
	G 1	40	0 ... 16		fully auto., closed w/o pressure	R412009014		
	Part No.		Reservoir		Protective guard		Weight [kg]	
	Polycarb.	Metal						
R412009000	R412009006	Polycarbonate/ Die Cast Zinc		Polyamide/ None		0.718/1.257		
R412009001	R412009007					0.769/1.308		
R412009002	R412009008					0.769/1.308		
R412009003						0.718/ --		
R412009004						0.769/ --		
R412009005						0.769/ --		
R412009009	R412009015	Polycarbonate/ Die Cast Zinc		Polyamide/ None		0.718/1.257		
R412009010	R412009016					0.769/1.308		
R412009011	R412009017					0.769/1.308		
R412009012						0.718/ --		
R412009013						0.769/ --		
R412009014						0.769/ --		

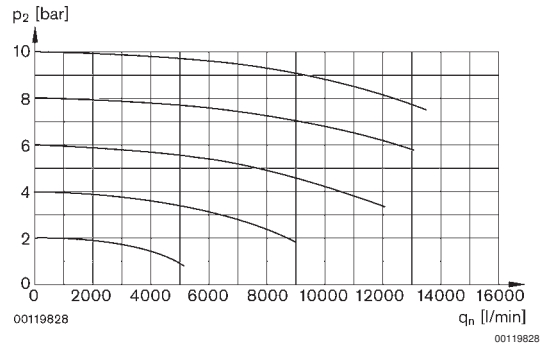
Nominal flow Qn at 6.3 bar [91 psi] and Δp = 1 bar [15 psi]

Compressed air maintenance unit, series AS5-Metric

Standard filter AS5-FLS, 5 or 40 micron, G3/4 - G1

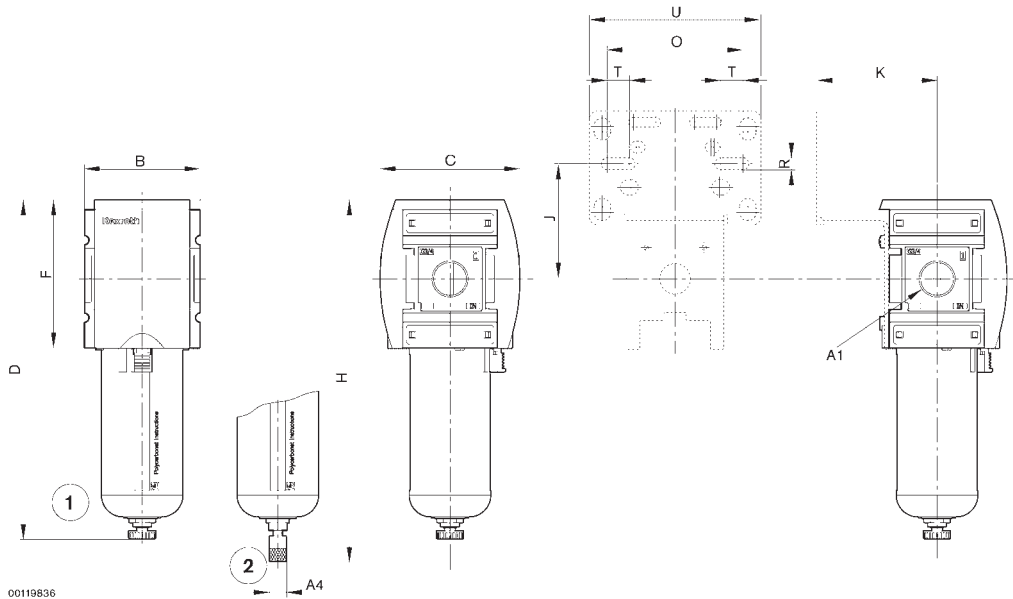


flow rate characteristic



p_1 = working pressure; p_2 = secondary pressure; q_n = nominal flow

dimensioned drawing



- 1) semi-automatic condensate drain
- 2) fully automatic condensate drain

A1	A4	B	C	D	F	H	J	K	O	R	T	U		
G3/4	G1/8	85	103	250	109	266	83	87	98	7	16	124		
G1	G1/8	85	103	250	109	266	83	87	98	7	16	124		

Compressed air maintenance unit, series AS5-Metric

Pre-filter AS5-FLP, 0.3 micron, G3/4 - G1

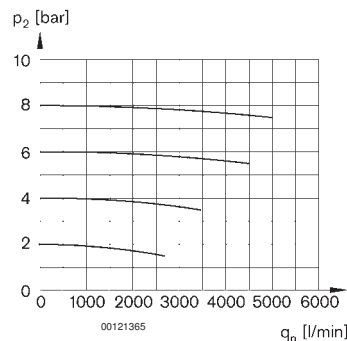


Ambient temperature min./max.	-10 °C / +50 °C
Installation location	vertical
Filter reservoir volume	87 cm ³
Medium	compressed air
materials:	
Housing	Polyamide, seals Buna-N (NBR)
Threaded bushing	Diecast zinc
Cover	acrylonitrile butadiene styrene
Filter insert	Polymer impregnated paper

	Thread conn. [bar]	Oper. press.	Flow rate [l/min]	Condensate drain	with contam. display	Part No. (Reservoir material)	
						Polycarb.	Metal
	G 3/4	0.5 ... 16	2200	semi-auto., opened w/o pressure	no	R412009018	R412009024
	G 3/4	1.5 ... 16		semi-auto., opened w/o pressure	yes	R412009021	R412009025
	G 3/4	0 ... 16		fully automatic, open w/o pressure	no	R412009019	R412009026
	G 3/4	0.5 ... 16		fully automatic, open w/o pressure	yes	R412009022	
	G 3/4	1.5 ... 16		fully auto., closed w/o pressure	no	R412009020	
	G 3/4	0 ... 16		fully auto., closed w/o pressure	yes	R412009023	
	G 1	0.5 ... 16	2200	semi-auto., opened w/o pressure	no	R412009027	R412009033
	G 1	1.5 ... 16		semi-auto., opened w/o pressure	yes	R412009030	R412009034
	G 1	0 ... 16		fully automatic, open w/o pressure	no	R412009028	R412009035
	G 1	0.5 ... 16		fully automatic, open w/o pressure	yes	R412009031	
	G 1	1.5 ... 16		fully auto., closed w/o pressure	no	R412009029	
	G 1	0 ... 16		fully auto., closed w/o pressure	yes	R412009032	
Part No.		Filter (µm)	Reservoir	Protective guard	Weight [kg]		
Polycarb.	Metal						
R412009018	R412009024	0.3	Polycarbonate/ Die Cast Zinc	Polyamide/ None	0.73/1.3		
R412009021	R412009025	0.3			0.77/1.3		
R412009019	R412009026	0.3			0.77/1.3		
R412009022		0.3			0.73/1.3		
R412009020		0.3			0.77/1.3		
R412009023		0.3			0.77/1.3		
R412009027	R412009033	0.3	Polycarbonate/ Die Cast Zinc	Polyamide/ None	0.73/1.3		
R412009030	R412009034	0.3			0.77/1.3		
R412009028	R412009035	0.3			0.77/1.3		
R412009031		0.3			0.73/1.3		
R412009029		0.3			0.77/1.3		
R412009032		0.3			0.77/1.3		

Nominal flow at inlet pressure 91 psi with 1.5 psi pressure drop [6.3 bar at $\Delta p = 0.1$ bar]

flow rate characteristic



p_1 = working pressure; p_2 = secondary pressure; q_n = nominal flow

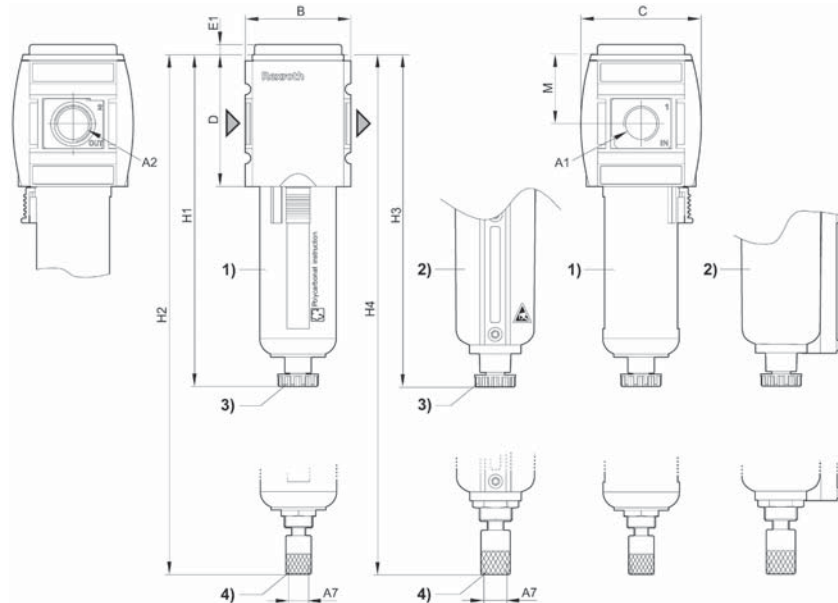
00121365
00121365

Compressed air maintenance unit, series AS5-Metric

Pre-filter AS5-FLP, 0.3 micron, G3/4 - G1



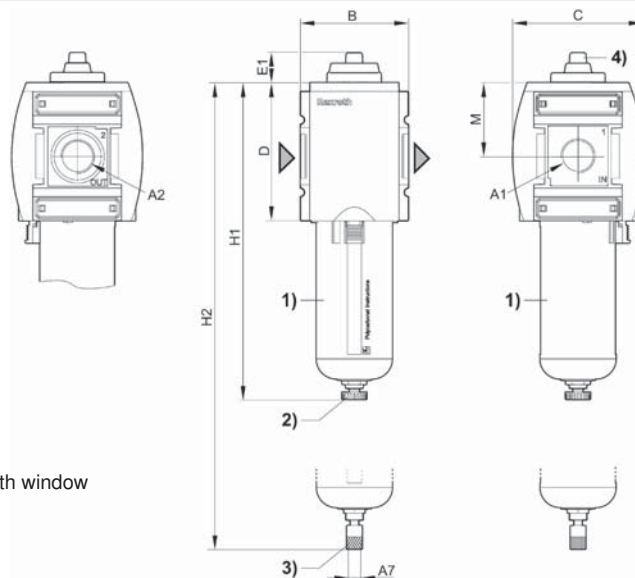
dimensioned drawing, no contamination display



- 1) Plastic reservoir and protective guard with window
- 2) Metal reservoir with inspection glass
- 3) Semi-automatic condensate drain
- 4) Fully automatic condensate drain

A1	A2	A7	B	C	D	E1	H1	H2	H3	H4	M
G 3/4	G 3/4	G 1/8	85	103	109	5	250	266	254	270.5	58
G 1	G 1	G 1/8	85	103	109	5	250	266	254	270.5	58

Dimensions, with contamination display



- 1) Plastic reservoir and protective guard with window
- 2) Semi-automatic condensate drain
- 3) Fully automatic condensate drain
- 4) contamination display

A1	A2	A7	B	C	D	E1	H1	H2	M
G 3/4	G 3/4	G 1/8	85	103	109	23.7	250	266	58
G 1	G 1	G 1/8	85	103	109	23.7	250	266	58

Compressed air maintenance unit, series AS5-Metric

Coalescing filter AS5-FLC, 0.01 micron, G3/4 - G1

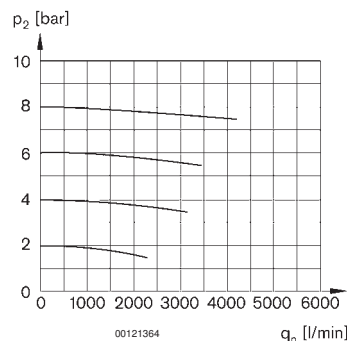


Ambient temperature min./max.	-10 °C / +50 °C
Installation location	vertical
Filter reservoir volume	87 cm ³
Medium	compressed air acc. to ISO 8573-1: 2001
Compressed air class	class 6-4-3
ATEX	II 2G2D -10 °C ≤ Ta ≤ 50 °C
materials:	Body: Polyamide, seals Buna-N (NBR)
Threaded bushing	Diecast zinc
Cover	acrylonitrile butadiene styrene

	Thread conn. [bar]	Oper. press.	Flow rate [l/min]	Condensate drain	with contam. display	Part No. (Reservoir material)	
						Polycarb.	Metal
	G 3/4	0.5 ... 16	1600	semi-auto., opened w/o pressure	no	R412009036	R412009042
	G 3/4	1.5 ... 16		semi-auto., opened w/o pressure	yes	R412009054	R412009060
	G 3/4	0 ... 16		fully automatic, open w/o pressure	no	R412009037	R412009043
	G 3/4	0.5 ... 16		fully automatic, open w/o pressure	yes	R412009055	R412009061
	G 3/4	1.5 ... 16		fully auto., closed w/o pressure	no	R412009038	R412009044
	G 3/4	0 ... 16		fully auto., closed w/o pressure	yes	R412009056	R412009062
	G 1	0.5 ... 16	1600	semi-auto., opened w/o pressure	no	R412009045	R412009051
	G 1	1.5 ... 16		semi-auto., opened w/o pressure	yes	R412009063	R412009069
	G 1	0 ... 16		fully automatic, open w/o pressure	no	R412009046	R412009052
	G 1	0.5 ... 16		fully automatic, open w/o pressure	yes	R412009064	R412009070
	G 1	1.5 ... 16		fully auto., closed w/o pressure	no	R412009047	R412009053
	G 1	0 ... 16		fully auto., closed w/o pressure	yes	R412009065	R412009071
Part No.		Filter porosity (µm)	Reservoir	Protective guard	Weight [kg]		
Polycarb.	Metal						
R412009036	R412009042	0.01	Polycarbonate/ Die Cast Zinc	Polyamide/ None	0.73/1.3		
R412009054	R412009060	0.01			0.77/1.3		
R412009037	R412009043	0.01			0.77/1.3		
R412009055	R412009061	0.01			0.73/1.3		
R412009038	R412009044	0.01			0.77/1.3		
R412009056	R412009062	0.01			0.77/1.3		
R412009045	R412009051	0.01	Polycarbonate/ Die Cast Zinc	Polyamide/ None	0.73/1.3		
R412009063	R412009069	0.01			0.77/1.3		
R412009046	R412009052	0.01			0.77/1.3		
R412009064	R412009070	0.01			0.73/1.3		
R412009047	R412009053	0.01			0.77/1.3		
R412009065	R412009071	0.01			0.77/1.3		

Nominal flow at inlet pressure 91 psi with 1.5 psi pressure drop [6.3 bar at Δp = 0.1 bar]

flow rate characteristic



p₁ = working pressure; p₂ = secondary pressure; q_n = nominal flow

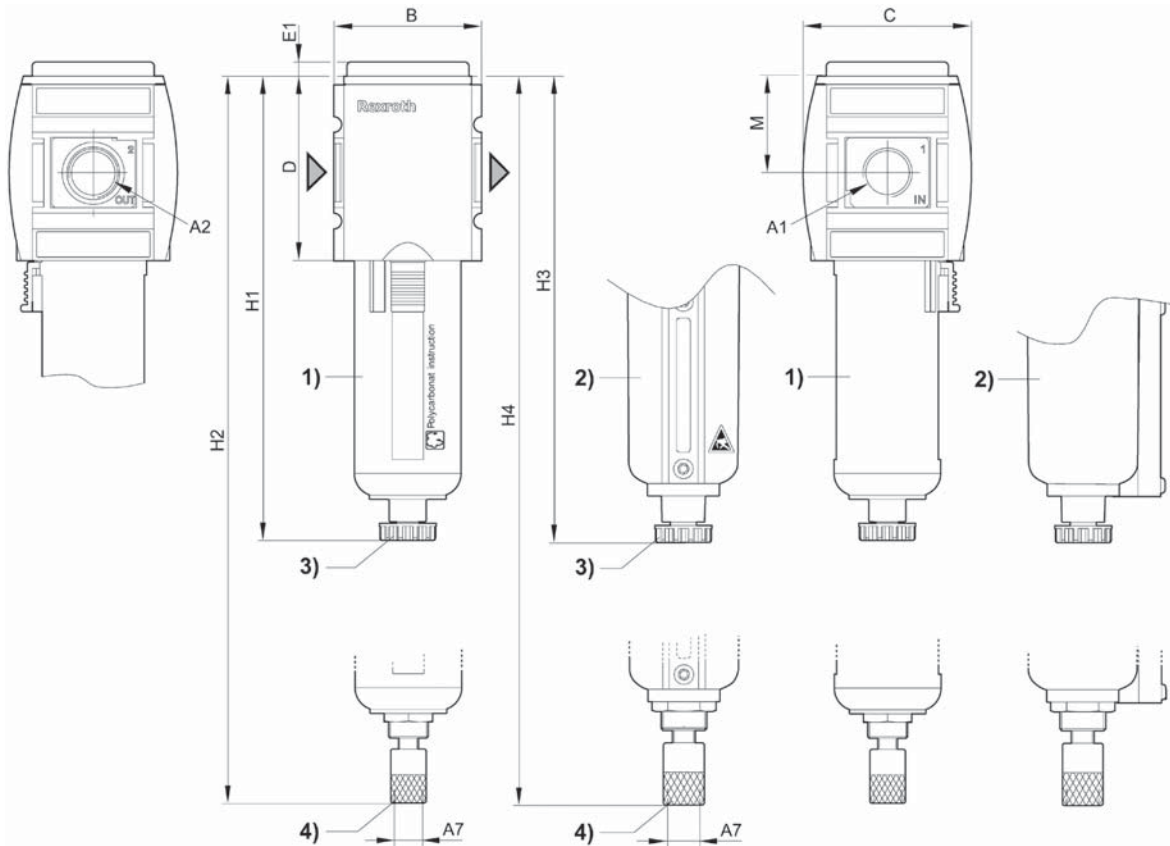
00121364

Compressed air maintenance unit, series AS5-Metric

Coalescing filter AS5-FLC, 0.01 micron, G3/4 - G1



dimensioned drawing, no contamination display



00123326_m

- 1) Plastic reservoir and protective guard with window
- 2) Metal reservoir with inspection glass
- 3) Semi-automatic condensate drain
- 4) Fully automatic condensate drain

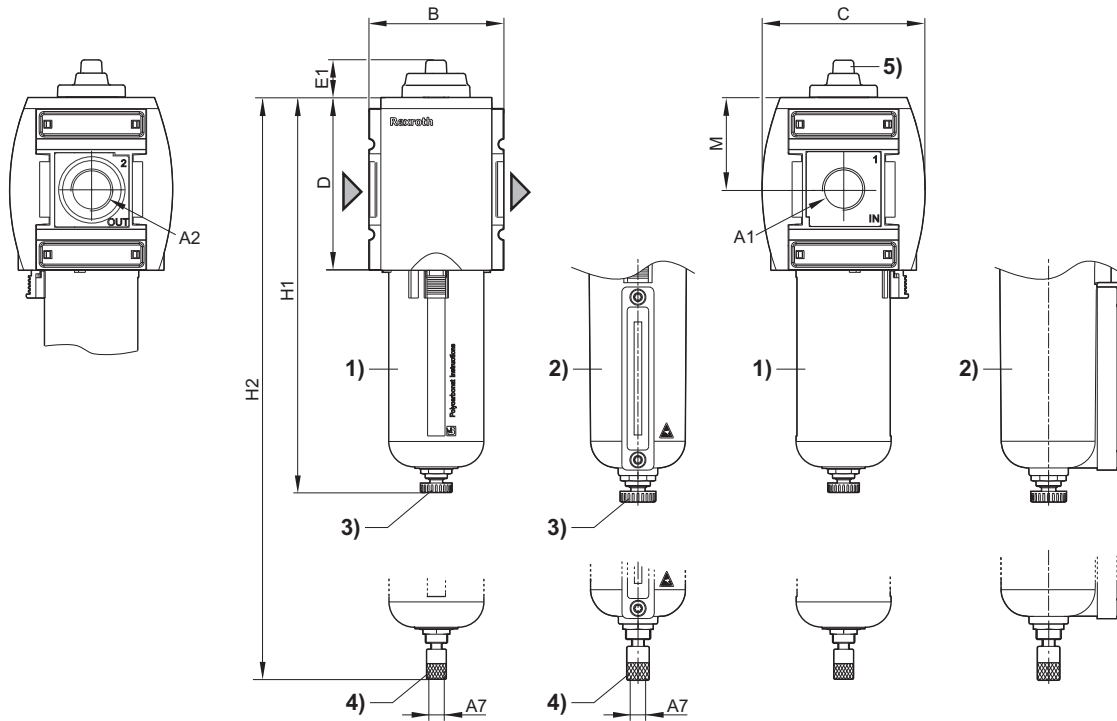
Part No.	A1	A2	A7	B	C	D	E1	H1	H2	H3	H4	M
R412009036	G 3/4	G 3/4	G 1/8	85	103	109	5	250	266	254	270	58
R412009037	G 3/4	G 3/4	G 1/8	85	103	109	5	250	266	254	270	58
R412009038	G 3/4	G 3/4	G 1/8	85	103	109	5	250	266	254	270	58
R412009042	G 3/4	G 3/4	G 1/8	85	103	109	5	250	266	254	270	58
R412009043	G 3/4	G 3/4	G 1/8	85	103	109	5	250	266	254	270	58
R412009044	G 3/4	G 3/4	G 1/8	85	103	109	5	250	266	254	270	58
R412009045	G 1	G 1	G 1/8	85	103	109	5	250	266	254	270	58
R412009046	G 1	G 1	G 1/8	85	103	109	5	250	266	254	270	58
R412009047	G 1	G 1	G 1/8	85	103	109	5	250	266	254	270	58
R412009051	G 1	G 1	G 1/8	85	103	109	5	250	266	254	270	58
R412009052	G 1	G 1	G 1/8	85	103	109	5	250	266	254	270	58
R412009053	G 1	G 1	G 1/8	85	103	109	5	250	266	254	270	58

Compressed air maintenance unit, series AS5-Metric

Coalescing filter AS5-FLC, 0.01 micron, differential pressure indicator, G3/4 - G1



dimensioned drawing, with contamination display



00133991

- 1) Plastic reservoir and protective guard with window
- 2) Metal reservoir with level indicator
- 3) Semi-automatic condensate drain
- 4) Fully automatic condensate drain
- 5) contamination display

Part No.	A1	A2	A7	B	C	D	E1	H1	H2	M		
R412009054	G 3/4	G 3/4	G 1/8	85	103	109	23.7	250	--	58		
R412009055	G 3/4	G 3/4	--	85	103	109	23.7	--	266	58		
R412009056	G 3/4	G 3/4	--	85	103	109	23.7	--	266	58		
R412009060	G 3/4	G 3/4	G 1/8	85	103	109	23.7	250	--	58		
R412009061	G 3/4	G 3/4	--	85	103	109	23.7	--	266	58		
R412009062	G 3/4	G 3/4	--	85	103	109	23.7	--	266	58		
R412009063	G 1	G 1	G 1/8	85	103	109	23.7	250	--	58		
R412009064	G 1	G 1	--	85	103	109	23.7	--	266	58		
R412009065	G 1	G 1	--	85	103	109	23.7	--	266	58		
R412009069	G 1	G 1	G 1/8	85	103	109	23.7	250	--	58		
R412009070	G 1	G 1	--	85	103	109	23.7	--	266	58		
R412009071	G 1	G 1	--	85	103	109	23.7	--	266	58		

Compressed air maintenance unit, series AS5-Metric

Active carbon filter AS5-FLA, G3/4 - G1



00119385

Ambient temperature min./max.

-10°C / +50°C

Installation location

vertical

Filter reservoir volume

87 cm³

Medium

compressed air acc. to ISO 8573-1: 2001
dry air

Compressed air class
materials:

class 6-4-3

Housing

Polyamide, seals Buna-N (NBR)

Threaded bushing

Diecast zinc

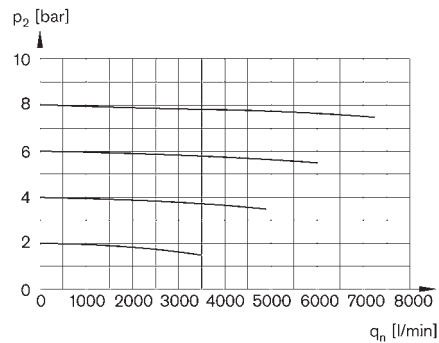
Cover

acrylonitrile butadiene styrene

	Port	Qn [l/min]	Operating pressure [bar]	Reservoir	Protective guard	Weight [kg]	Part No.
	G 3/4	1700	0 - 16	Polycarbonate	polyamide	0.375	R412009072
	G 1						R412009075

The use of a coalescing filter (type FLC) upstream is strongly recommended
nominal flow with secondary pressure 6.3 bar at $\Delta p = 0.1$ bar

flow rate characteristic



00121363

00121363

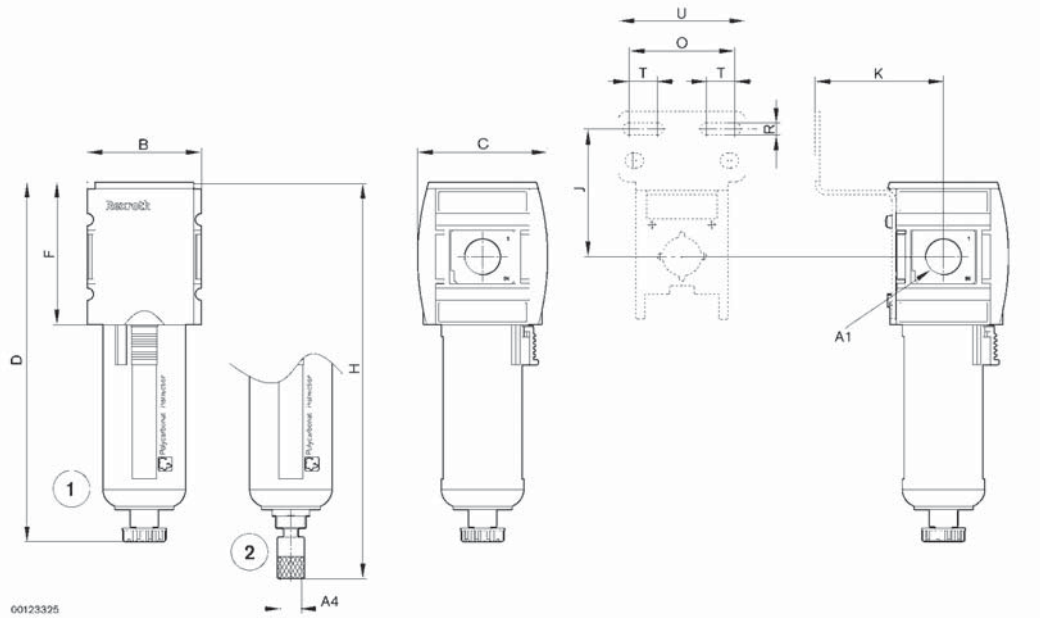
p1 = working pressure; p2 = secondary pressure; qn = nominal flow

Compressed air maintenance unit, series AS5-Metric

Active carbon filter AS5-FLA, G3/4 - G1



dimensioned drawing



- 1) semi-automatic condensate drain
- 2) fully automatic condensate drain

A1	A4	B	C	D	F	H	J	K	O	R	T	U		
G 3/4	G 1/8	63	74	189.5	80	206	72.5	71	60	7	16	72		
G 1	G 1/8	63	74	189.5	80	206	72.5	71	60	7	16	72		

Compressed air maintenance unit, series AS5-Metric

Lubricator, oil-drop AS5-LBS, with semi-automatic filling, G3/4 - G1

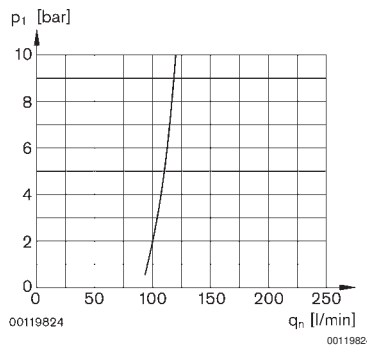


Ambient temperature min./max.	-10°C / +50°C
Medium	Compressed air to ISO 8573-1:2001
Type of filling	semi-automatic oil filling during operation
Installation location	vertical
Reservoir volume	181 cm ³
Oil type	HL 68 (DIN 51 524 - ISO VG 68)
materials:	
Housing	Polyamide, seals Buna-N (NBR)
Threaded bushing	Diecast zinc
Cover	acrylonitrile butadiene styrene (ABS)

	Thread conn. [bar]	Oper. press.	Flow rate [l/min]	Protective guard	Weight [kg]	Ready for oil level sensor	Part No. (Reservoir material)	
							Polycarb.	Metal
	G 3/4	0.5 ... 16	15,800	Polyamide/none	0.762/1.302	no	R412009225	R412009229
	G 3/4	0.5 ... 16	15,800	Polyamide/none	0.762/1.302	yes	R412009226	R412009230
	G 1	0.5 ... 16	15,800	Polyamide/none	0.762/1.302	no	R412009231	R412009235
	G 1	0.5 ... 16	15,800	Polyamide/none	0.762/1.302	yes	R412009232	R412009236

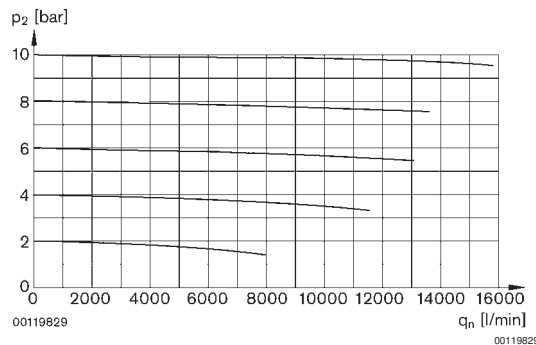
Reservoir materials: Polycarbonate or die-cast zinc
 Nominal flow at inlet pressure 91 psi and 15 psi drop ($P_1 = 6.3 \text{ bar}$, $\Delta P = 1 \text{ bar}$)

lubricator activation margin



p_2 = secondary pressure; $q_{nmin.}$ = min. nominal flow

flow rate characteristic



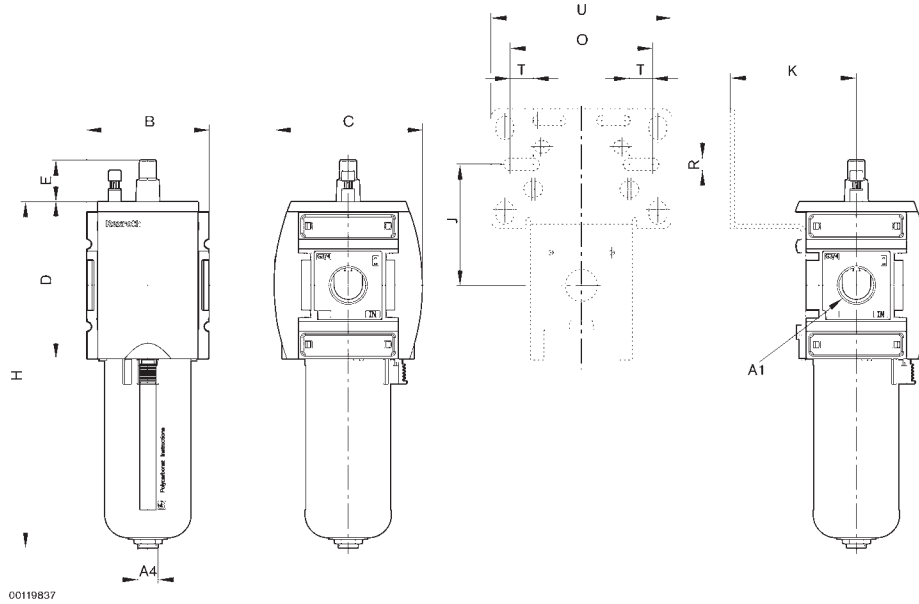
p_1 = working pressure; p_2 = secondary pressure; q_n = nominal flow

Compressed air maintenance unit, series AS5-Metric

Lubricator, oil-drop AS5-LBS, with semi-automatic filling, G3/4 - G1



dimensioned drawing



00119837

00119837

A1	A4	B	C	D	E	H	J	K	O	R	T	U		
G3/4	G1/8	85	103	109	29	239	83	87	98	7	16	124		
G1	G1/8	85	103	109	29	239	83	87	98	7	16	124		

Compressed air maintenance unit, series AS5-Metric

3/2 directional control dump valve, AS5-SOV electrically operated, G3/4 - G1



00119378

Ambient temperature min./max.	-10 °C / +50 °C
Medium	compressed air acc. to ISO 8573-1: 2001
Compressed air class	class 6-4-3
materials:	
Housing	Polyamide, seals Buna-N (NBR)
Protective cover	Acrylonitrile butadiene styrene (ABS)
Threaded bushing	Die cast zinc

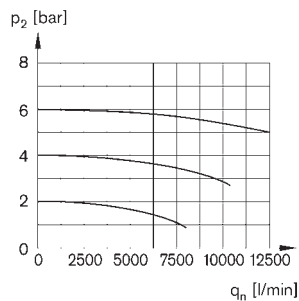
Power consumption at 24 V DC	Switch-on power at 230V 50 Hz AC	Holding power at 230V 50 Hz AC
W	VA	VA
2	2,2	1,6

	Thread connection [psi]	Operational voltage	Qn l/min [CFM]	Operating pressure	Weight kg [lbs]	Notes	Part No.
	G 3/4	-	-	-	0.641 (1.413)	1	R412009264
	G 3/4	-	-	-	0.620 (1.367)	2	R412009258
	G 3/4	24VDC ±10%	12500	36 ... 145	0.677 (1.493)	3	R412009265
	G 3/4	110VAC 50/60Hz	(441)		0.677 (1.493)	3	R412009266
	G 3/4	240VAC 50/60Hz			0.677 (1.493)	3	R412009267
	G 1	-	-	-	0.641 (1.413)	1	R412009268
	G 1	-	-	-	0.620 (1.367)	2	R412009259
	G 1	24VDC ±10%	12500	36 ... 145	0.677 (1.493)	3	R412009269
	G 1	110VAC 50/60Hz	(441)		0.677 (1.493)	3	R412009270
	G 1	240VAC 50/60Hz			0.677 (1.493)	3	R412009271

- 1) without DO16 pilot valve 2) with CNOMO interface, without pilot valve
- 3) with DO16 pilot valve (use electrical connector DIN Form C, series CN1)

Nominal flow at inlet pressure 91 psi and 15 psi drop ($P_1 = 6.3 \text{ bar}$, $\Delta P = 1 \text{ bar}$)

flow rate characteristic, 1 - 2



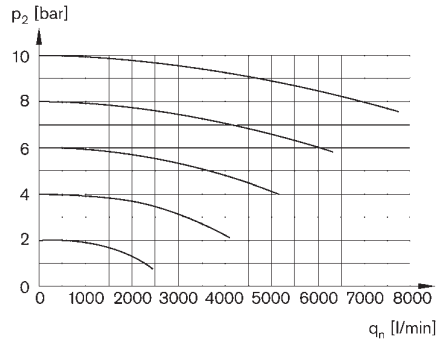
00122634

00122634

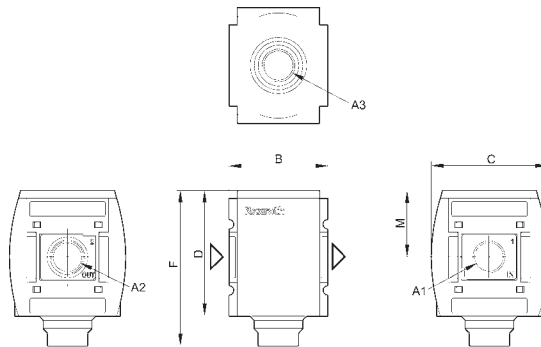
p_2 = secondary pressure q_n = nominal flow

Compressed air maintenance unit, series AS5-Metric

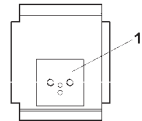
3/2 directional control dump valve, AS5-SOV electrically operated, G3/4 - G1



00123196

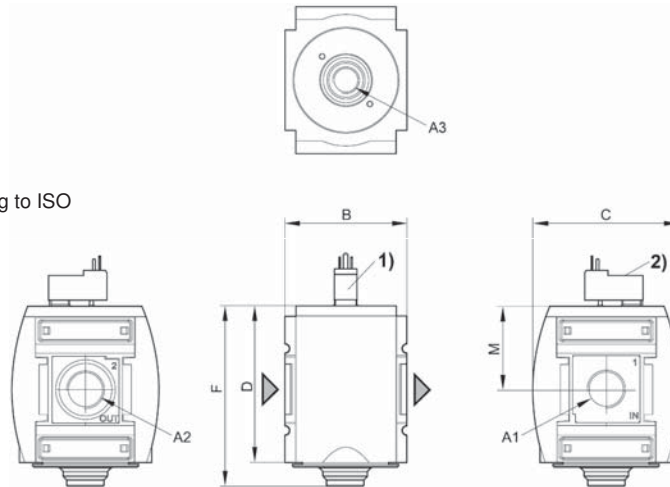


- A1 = input
- A2 = output
- A3 = ventilation port
- 1) Transition plate with CNOMO porting configuration for pilot valve DO30



A1	A2	A3	B	C	D	E1	F	M	N	Q			
G 3/4	G 3/4	G 1/2	85	103	109	14.2	125	58	M4	21			
G 1	G 1	G 1/2	85	103	109	14.2	125	58	M4	21			

- A1 = input
- A2 = output
- A3 = ventilation port
- 1) For electrical connector according to ISO
- 2) Manual override



A1	A2	A3	B	C	D	F	M						
G 3/4	G 3/4	G 1/2	85	103	109	125	58						
G 1	G 1	G 1/2	85	103	109	125	58						

Compressed air maintenance unit, series AS5-Metric

3/2 directional control dump valve, AS5-SOV, pneumatically operated, G3/4 - G1



00119377

Ambient temperature min./max.

Medium

Compressed air class

ATEX

materials:

Housing

Protective cover

Thread connection

-10 °C / +50 °C

compressed air acc. to ISO 8573-1: 2001

class 6-4-3

II 2G2D -10 °C ≤ Ta ≤ 50 °C

Polyamide, seals Buna-N (NBR)

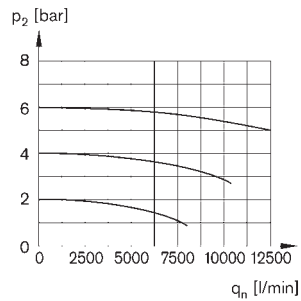
Acrylonitrile butadiene styrene (ABS)

Die cast zinc

	Working pressure min/max [bar]	Port	Weight [kg]	Part No.
	2.5 / 10	G 3/4	0,459	R412009262
		G 1		R412009263

Nominal flow $Q_n = 12500$ l/m at $P_1 = 6.3$ bar and $\Delta p = 1$ bar.

flow rate characteristic, 1 - 2

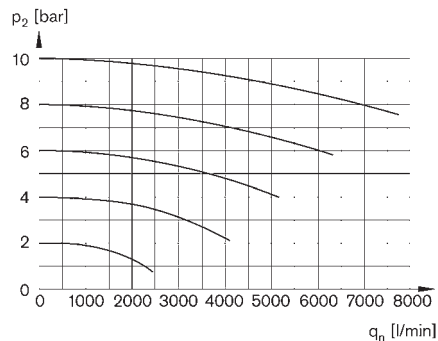


00122634

00122634

p_2 = secondary pressure q_n = nominal flow

rear exhaust, 2 - 3



00123196

00123196

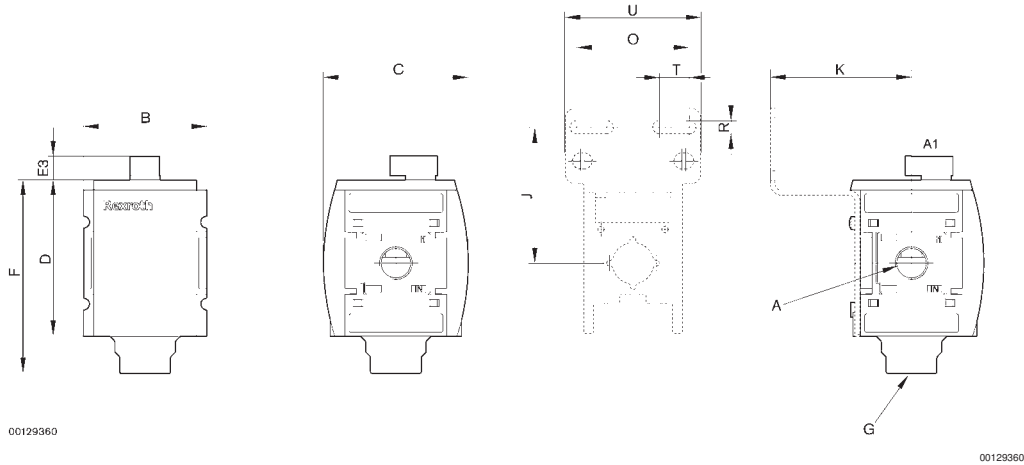
p_2 = secondary pressure q_n = nominal flow

Compressed air maintenance unit, series AS5-Metric

3/2 directional control dump valve, AS5-SOV, pneumatically operated, G3/4 - G1



dimensioned drawing



A1	A2	B	C	D	E3	F	G	J	K	O	R	T	U
G 3/4	G 1/8	63	74	80	12.3	99	72.5	66	254	60	7	16	72
G 1	G 1	63	74	80	12.3	99	72.5	66	254	60	7	16	72

Compressed air maintenance unit, series AS5-Metric

3/2-way shut-off valve (ball valve) AS5-BAV, lockable, G3/4 - G1



Ambient temperature min./max.

-10°C / +50°C

Medium materials:

Compressed air to ISO 8573-1:2001

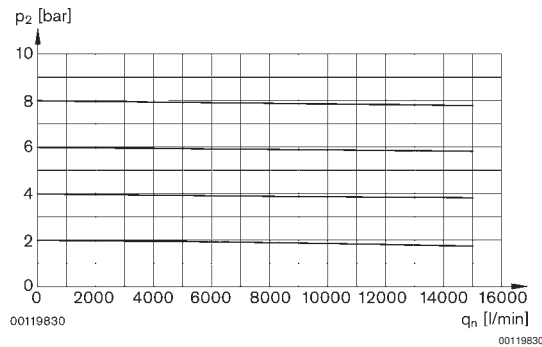
Housing
Threaded bushing
Cover
Seals

Polyamide
Diecast zinc
acrylonitrile butadiene styrene (ABS)
Acrylonitrile butadiene rubber

	Port	Qn [l/min]	Weight [kg]	Part No.
	G 3/4	14500	0.825	R412009260
	G 1			R412009261

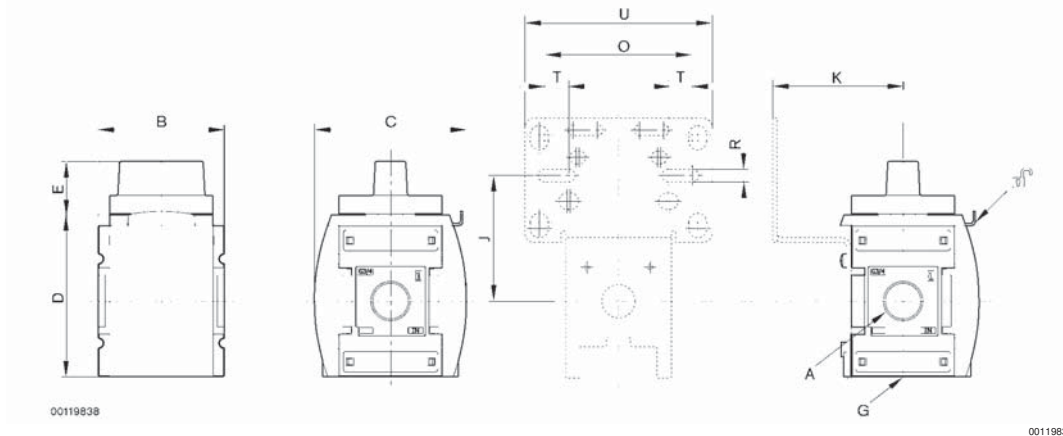
Nominal flow Qn at 6.3 bar and $\Delta p = 1$ bar.

flow rate characteristic



p_2 = secondary pressure; $q_{nmin.}$ = min. nominal flow

dimensioned drawing



A	B	C	D	E	G	J	K	O	R	T	U			
G3/4	85	103	109	36	G3/4	83	87	98	7	16	124			
G1	85	103	109	36	G3/4	83	87	98	7	16	124			

Compressed air maintenance unit, series AS5-Metric

Filling valve (soft start), AS5-SSV, G3/4 - G1



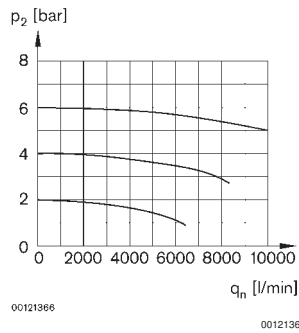
00119380

Working pressure min/max	2.5 / 16 bar
Ambient temperature min./max.	-10 °C / +50 °C
Medium	compressed air acc. to ISO 8573-1: 2001 class 6-4-3
Compressed air class	
materials:	
Housing	Polyamide, seals Buna-N
Threaded bushing	Diecast zinc
Protective cover	Acrylonitrile butadiene styrene (ABS)

	Thread connection	Flow [l/min]	Weight [kg]	Part No.
	G 3/4	10000	0,43	R412009272
	G 1			R412009273

nominal flow with secondary pressure 6,3 bar at $\Delta p = 1$ bar

flow rate characteristic

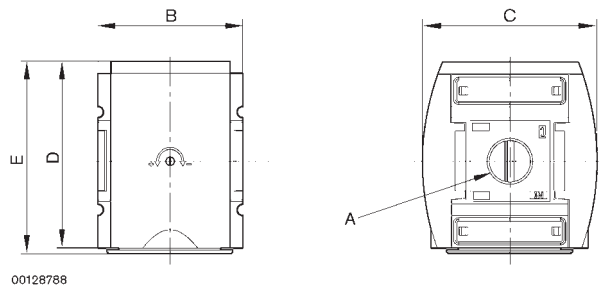


00121366

00121366

p_2 = secondary pressure
 q_n = nominal flow

dimensioned drawing



00128788

00128788

A	1)	B	C	D	E								
G3/4	18	85	103	109	112								
A	1)	B	C	D	E								
G1	18	85	103	109	112								

Compressed air maintenance unit, series AS5-Metric

Distributor block AS5-DIS, 2-way, G3/4 - G1



00119807

Ambient temperature min./max.

-10°C / +50°C

Medium materials:

Compressed air to ISO 8573-1:2001

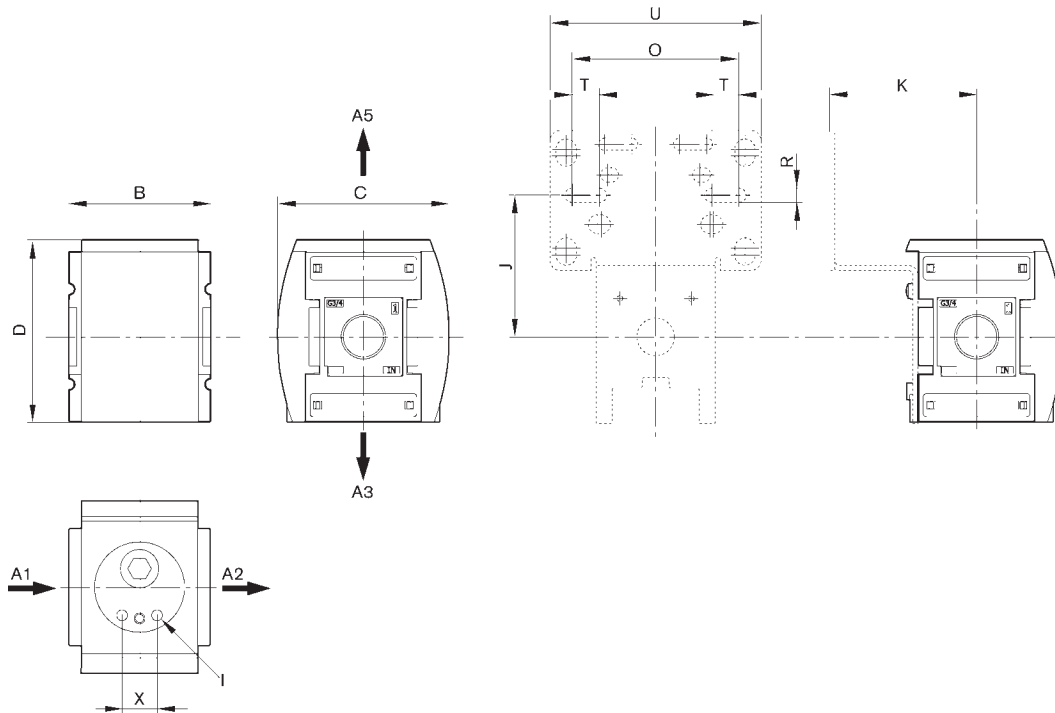
Housing
Threaded bushing
Cover

Polyamide, seals Buna-N (NBR)
Diecast zinc
acrylonitrile butadiene styrene (ABS)

	Port	Qn [l/min]	Weight [kg]	Part No.
	G 3/4	12000	0.648	R412009250
	G 1			R412009251

Nominal flow at inlet pressure 91 psi and 15 psi drop ($P_1 = 6.3 \text{ bar}$, $\Delta P = 1 \text{ bar}$)

dimensioned drawing



00119839

00119839

A	G	B	C	D	E	J	K	O	R	T	U	X
G3/4	G3/4	85	103	109	36	83	87	98	7	16	124	20
G1	G3/4	85	103	109	36	83	87	98	7	16	124	20

Compressed air maintenance unit, series AS2, AS3, AS5

Accessories Index

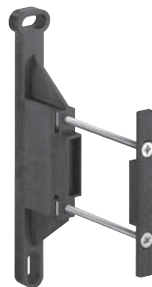
AVENTICS[®]



	Page
AS2 Mounting bracket.....	195
AS2 Mounting strap	196
AS2 Block assembly (joiner) kit.....	197
AS2 Mounting flange kit, NPTF version	198
AS2 Mounting flange kit, metric version.....	199
AS2 Control panel nut.....	200
AS2 Reservoirs	201
AS3 Mounting bracket.....	204
AS3 Mounting strap	205
AS3 Block assembly (joiner) kit.....	206
AS3 Mounting flange kit, NPTF version	207
AS3 Mounting flange kit, metric version.....	208
AS3 Control panel nut.....	209
AS3 Reservoirs	210
AS5 Mounting bracket.....	213
AS5 Mounting strap	214
AS5 Block assembly (joiner) kit.....	214
AS5 Mounting flange kit, NPTF version	215
AS5 Mounting flange kit, metric version.....	215
AS5 Control panel nut.....	216
AS5 Reservoirs	217
AS2, AS3, AS5 Sensor series ST6 (for low oil level sensing)	219
AS2, AS3, AS5 Transition plate, CNOMO	220
AS2, AS3, AS5 Transition plate to join different sizes	220
AS2, AS3, AS5 Pressure switches, mechanical.....	221
AS2, AS3, AS5 Contamination display.....	223
AS2, AS3, AS5 Repair parts and kits	223
AS2, AS3, AS5 Repair parts and kits	224
AS2, AS3, AS5 Pressure gauges (for metric versions)	225
AS2, AS3, AS5 Pressure gauges (for inch versions)	226



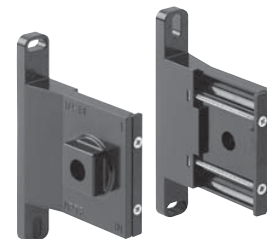
Mounting bracket



Mounting strap



Block assembly
(joiner) kit



Mounting flange kit

Compressed air maintenance unit, series AS2

Accessories -Mounting bracket AS2-MBR-...-W01



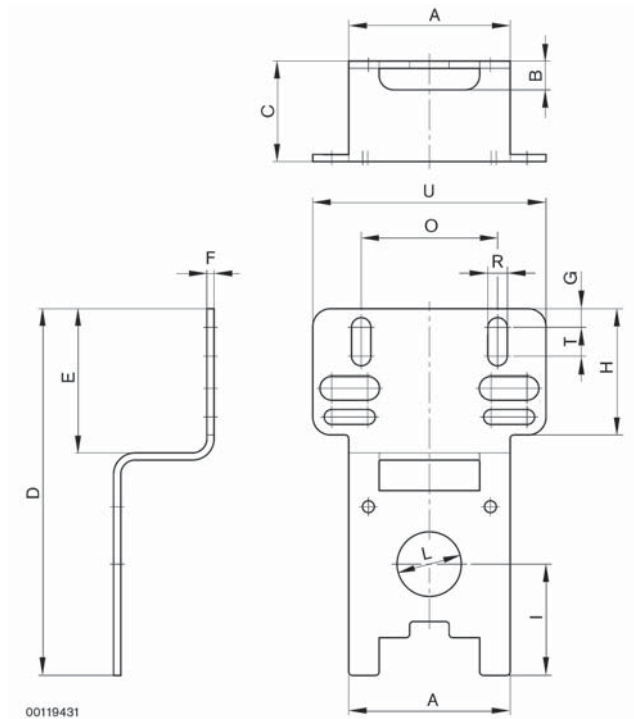
★ Mounting plate AS2-MBR-...-W01-NPT (for inch or metric versions)

Weight	See table
Materials	Sheet metal, galvanized
Suitable for all individual devices 2 screws supplied loose	Self-tapping Torx screws



★ Part no.

Weight [lbs]	Part no.
0.14	R432031071



00119431

A	B	C	D	E	F	G	H	I	L	O	R	T	U
1.890	0.315	1.102	4.016	1.575	0.079	0.205	1.378	1.220	0.787	1.496	0.213	0.315	2.559

Dimensions in inches

Compressed air maintenance unit, series AS2

Accessories - Mounting strap AS2-MBR-...-W03



★ Mounting strap AS2-MBR-...-W03 (for inch or metric versions, also serves as joiner)

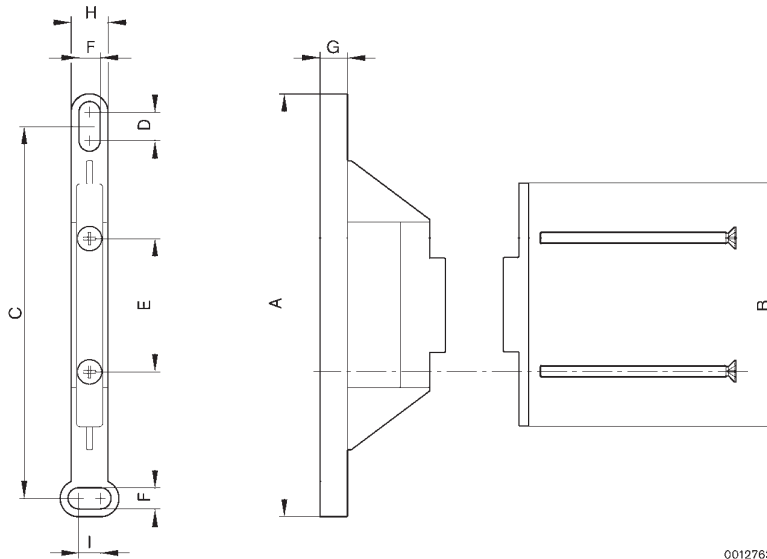
Weight	See table
Materials	PA 66 (Polyamide 6.6)

Suitable for all individual devices
2 screws supplied loose



★ Part no.

Weight [lbs]	Part no.
0.03	R412006370



A	B	C	D	E	F	G	H	I
4.252	2.441	3.740	0.287	1.339	0.213	0.276	0.370	0.213

Dimensions in inches

Compressed air maintenance unit, series AS2

Accessories - Block assembly kit AS2-MBR-...-W04



★ Block assembly (joiner) kit AS2-MBR-...-W04 (for inch or metric versions)

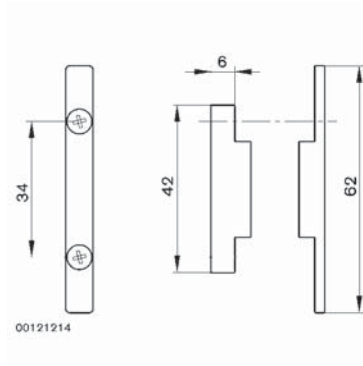
Weight	See table
Materials	PA 66 (Polyamide 6.6)

2 screws supplied loose



★ Part no.

Weight [lbs]	Part no.
0.02	R412006371



A	B	C	D
2.441	1.654	1.339	0.236

Dimensions in inches

Compressed air maintenance unit, series AS2

Accessories - Mounting flange kit AS2-MBR-...-W05 NPTF Version

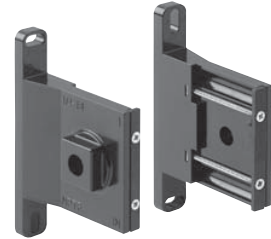


★ **Mounting flange kit, NPTF threads AS2-MBR-...-W05 (attaches to inch or metric unit)**

Weight See table

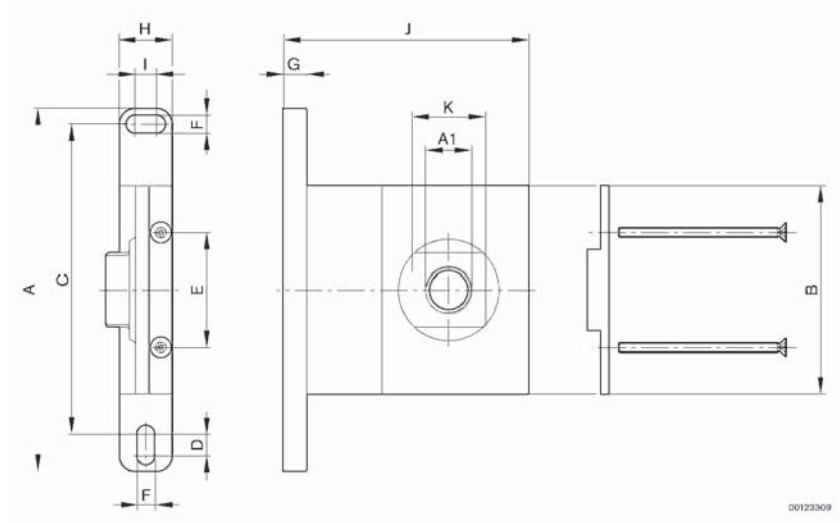
Materials Zn - diecasting

▶ Two block assembly elements (IN/OUT)
4 mounting screws and 2 O-rings supplied loose



▶ ★ **Part no.**

Threaded ports	Weight [lbs]	Part no.
1/4-18 NPTF	1.047	R432000729
3/8-18 NPTF	1.047	R432000730



A1	A	B	C	D	E	F	G	H	I	J	K
1/4 NPTF	4.26	2.443	3.61	0.288	1.34	0.213	0.276	0.63	0.288	2.87	0.867
3/8 NPTF	4.26	2.443	3.61	0.288	1.34	0.213	0.276	0.63	0.288	2.87	0.867

Dimensions in inches

Compressed air maintenance unit, series AS2

Accessories - Mounting flange kit AS2-MBR-...-W05 Metric version

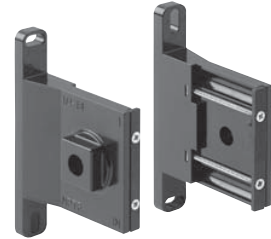


★ **Mounting flange kit, metric threads AS2-MBR-...-W05 (attaches to metric or inch unit)**

Weight See table

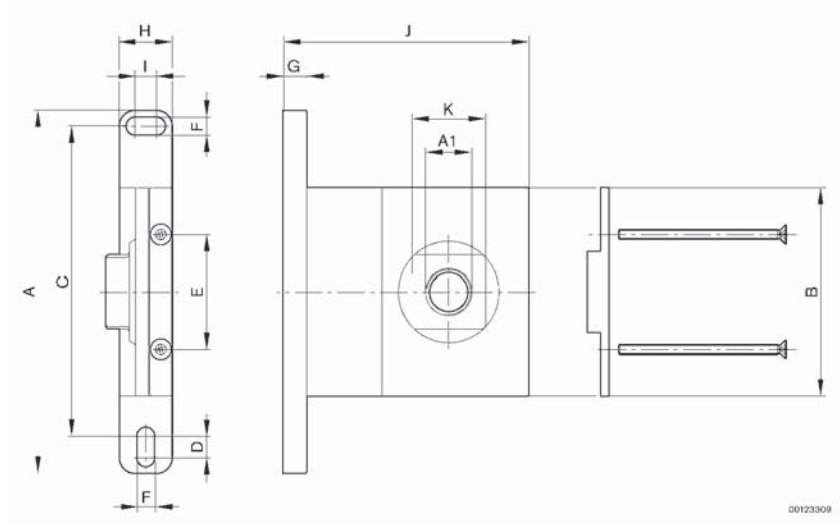
Materials Zn - diecasting

▶ Two block assembly elements (IN/OUT)
4 mounting screws and 2 O-rings supplied loose



▶ ★ **Part no.**

Threaded ports	Weight [kg](lbs.)	Part no.
G 1/4	0,475 (1.047)	R412006366
G 3/8	0,475 (1.047)	R412006367



A1	A	B	C	D	E	F	G	H	I	J	K
G 1/4	108	62	91,5	7,3	34	5,4	7	16	7,3	73	22
G 3/8	108	62	91,5	7,3	34	5,4	7	16	7,3	73	22

Compressed air maintenance unit, series AS2

Accessories - Control panel nut AS2-MBR-...-W06 (for Inch or Metric versions)



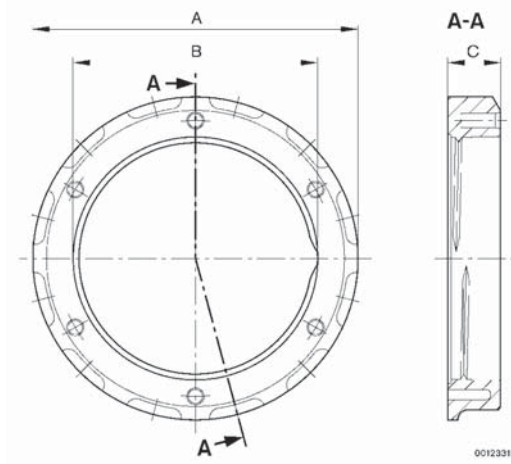
★ **Control panel nut AS2-MBR-...-W06**

Weight	See table
Materials	PA 66 (Polyamide 6.6)



➔ ★ **Part no.**

Weight [lbs]	Part no.
0.013	R412006372



A	B	C
1.891	M36x1,5	0.315

Dimensions in inches

Compressed air maintenance unit, series AS2

Accessories - Reservoir AS2-CBS/-CLA/-CLS



★ Reservoir AS2-CBS/-CLA/-CLS

Materials Reservoir Polycarbonate or die cast zinc, with bayonet catch
Protective guard PA (polycarbonate version)

Plastic containers may only be cleaned with water, soap suds, and other similar, neutral agents.



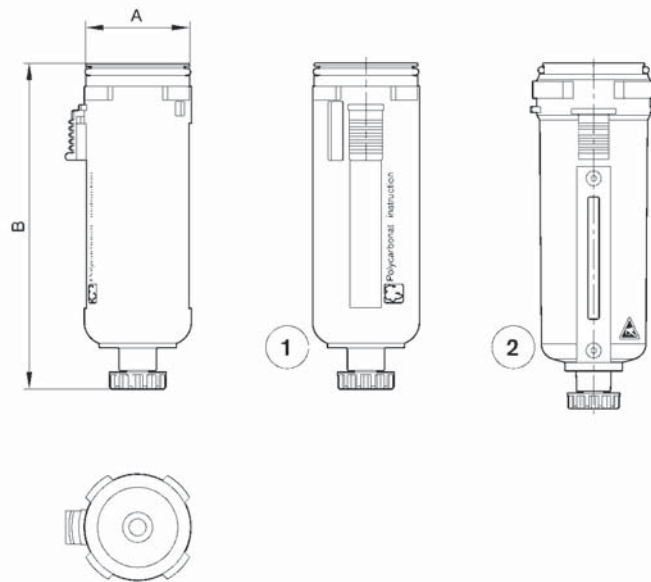
★ Part no. (CLS for filters)

For threaded ports	Type	Reservoir	Weight lbs. (kg)	Part no.
NPT or G	Semi-automatic, open without pressure	Die cast Zinc	0.56 (0.252)	R412006344
	Fully automatic, open without pressure	Die cast Zinc	0.64 (0.288)	R412006345
	Fully automatic, closed without pressure	Die cast Zinc	0.64 (0.288)	R412006346
	Semi-automatic, open without pressure	Polycarbonate	0.13 (0.059)	R412006338
	Fully automatic, open without pressure	Polycarbonate	0.23 (0.104)	R412006339
	Fully automatic, closed without pressure	Polycarbonate	0.23 (0.104)	R412006340

Polycarbonate version has Polyamide guard

Note: All Series AS filter drains include a manual drain function as standard.

Reservoir for standard filter, pre-filter, or coalescing filter; semi-automatic, without pressure: open (CLS)



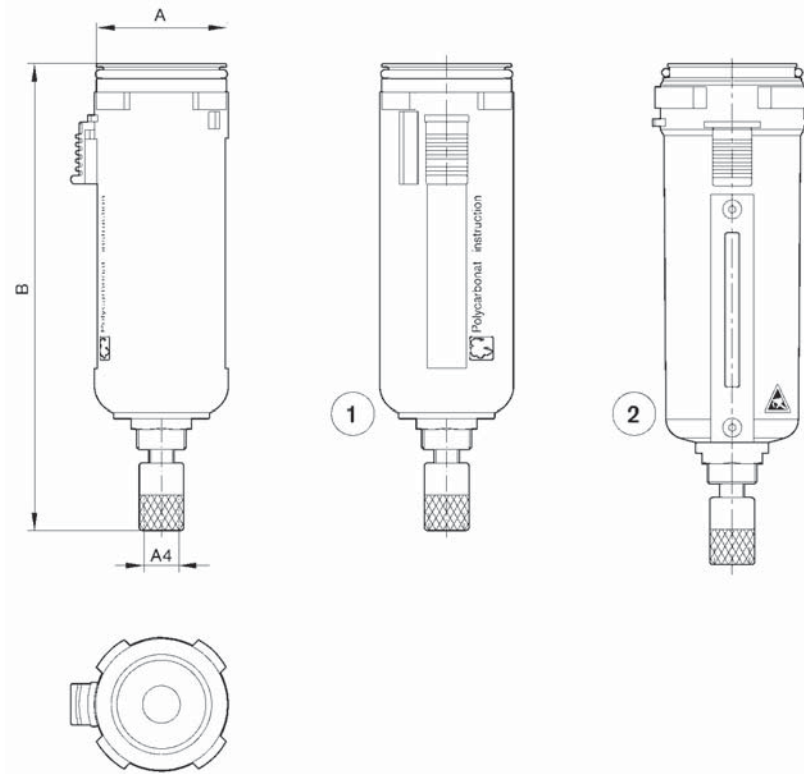
Part No.	Type	A in. (mm)	B in. (mm)
R412006338	Polycarbonate (1)	1.48 (37.6)	4.54 (115.5)
R412006344	Die cast zinc (2)	1.48 (37.6)	4.54 (115.5)

Compressed air maintenance unit, series AS2

Accessories - Reservoir AS2-CBS/-CLA/-CLS



★ Reservoir for standard filter, pre-filter, or coalescing filter; fully automatic, without pressure: open (CLS)



Part No.	Type	A4	A in. (mm)	B in. (mm)	Weight lbs. (kg)
R412006339	Polycarbonate (1), open	G 1/8	1.48 (37.6)	5.20 (132)	0.23 (0.104)
R412006340	Polycarbonate (1), closed	G 1/8	1.48 (37.6)	5.20 (132)	0.23 (0.104)
R412006345	Die cast zinc (2), open	G 1/8	1.48 (37.6)	5.20 (132)	0.64 (0.288)
R412006346	Die cast zinc (2), closed	G 1/8	1.48 (37.6)	5.20 (132)	0.64 (0.288)

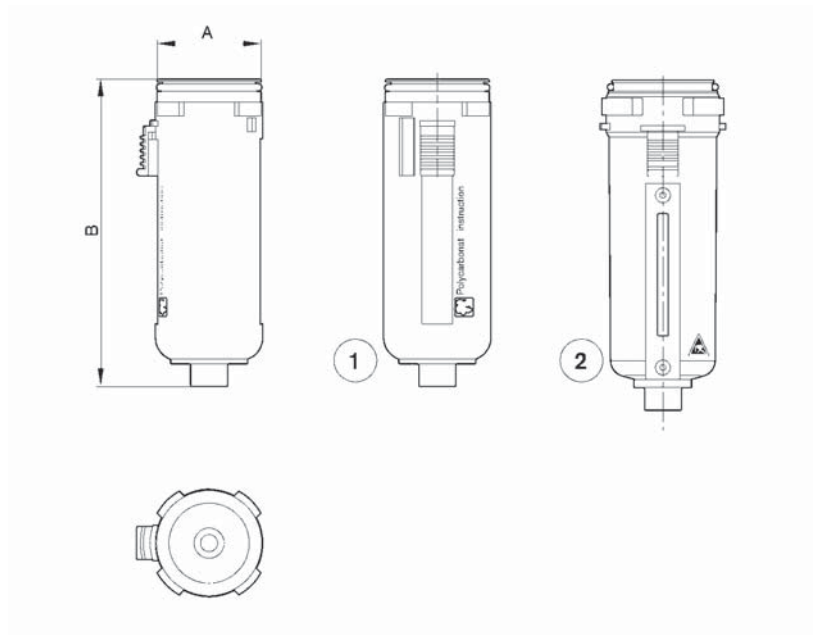
Polycarbonate version has Polyamide guard.

Compressed air maintenance unit, series AS2

Accessories - Reservoir AS2-CBS/-CLA/-CLS



Reservoir for activated carbon filter (CLA) / oil-drop lubriator (CBS)



For threaded ports	Type	Reservoir	Weight lbs. (kg)	Part no.
NPT or G	CLA	Die cast Zinc	0.75 (0.338)	R412006349
	CLA	Polycarbonate	0.13 (0.059)	R412006347
	CBS	Die cast Zinc	0.56 (0.254)	R412006358
	CBS	Polycarbonate	0.17 (0.075)	R412006352

Part No.	Type	A in. (mm)	B in. (mm)
R412006349	CLA	1.48 (37.6)	4.27 (108.5)
R412006347	CLA	1.48 (37.6)	4.27 (108.5)
R412006358	CBS	1.72 (43.8)	4.96 (126)
R412006352	CBS	1.72 (43.8)	4.80 (122)

Polycarbonate reservoir has Polyamide protective guard.

Compressed air maintenance unit, series AS3

Accessories - Mounting bracket AS3-MBR-...-W01



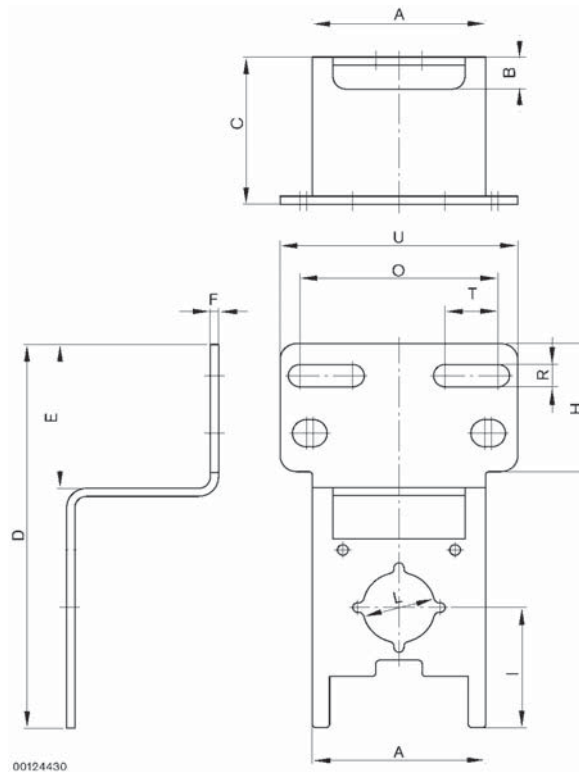
★ **Mounting bracket AS3-MBR-...-W01-NPT (for inch or metric versions)**

Weight	See table
Materials	Sheet metal, galvanized
Suitable for all individual devices 2 screws supplied loose	Self-tapping Torx screws



★ **Part no.**

Weight [lbs.]	Part no.
0.287	R432031072



00124430

A	B	C	D	E	F	G	H	I	L	O	R	T	U
2.067	0.394	1.811	4.724	1.772	0.098	0.394	1.575	1.476	0.984	0.362	0.276	0.630	2.835

Dimensions in inches

Compressed air maintenance unit, series AS3

Accessories - Mounting strap AS3-MBR-...-W03



★ Mounting strap AS3-MBR-...-W03 (for inch or metric versions, also serves as joiner)

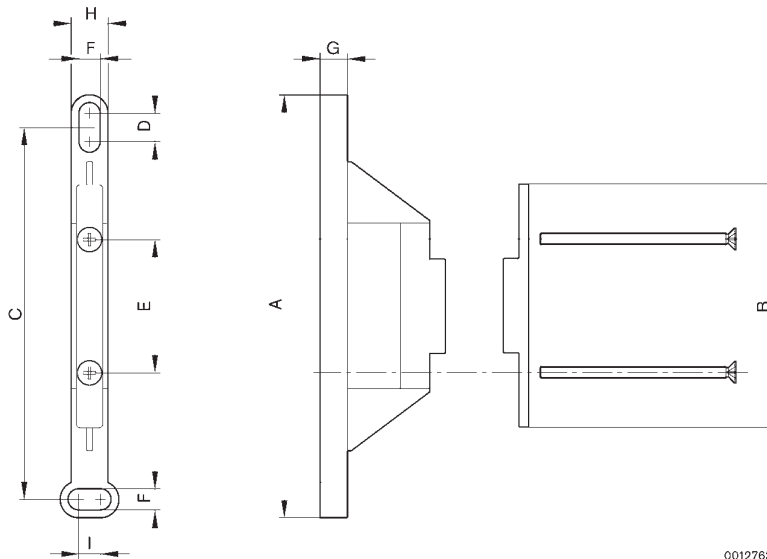
Weight	See table
Materials	PA 66 (Polyamide 6.6)

Suitable for all individual devices
2 screws supplied loose



★ Part no.

Weight [lbs.]	Part no.
0.121	R412007370



00127637

A	B	C	D	E	F	G	H	I
4.724	2.953	4.094	0.315	1.654	0.252	0.472	0.472	0.315

Dimensions in inches

Compressed air maintenance unit, series AS3

Accessories - Block assembly kit AS3-MBR-...-W04



★ Block assembly (joiner) kit AS3-MBR-...-W04 (for inch or metric versions)

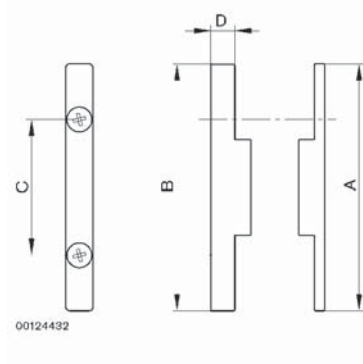
Weight	See table
Materials	PA 66 (Polyamide 6.6)

2 screws supplied loose



★ Part no.

Weight [lbs.]	Part no.
0.071	R412007371



A	B	C	D
2.953	2.953	1.654	0.492

Dimensions in inches

Compressed air maintenance unit, series AS3

Accessories - Mounting flange kit kit AS3-MBR-...-W05 NPTF version

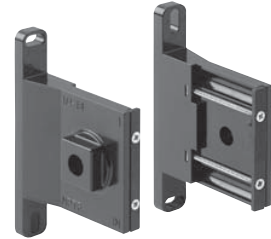


★ **Mounting flange kit, NPTF threads AS3-MBR-...-W05 (attaches to inch or metric unit)**

Weight See table

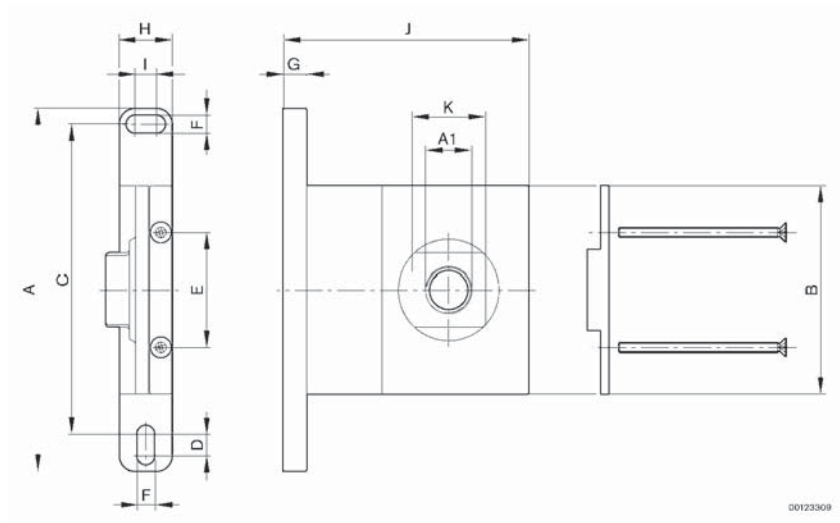
Materials Zn - diecasting

▶ Two block assembly elements (IN/OUT)
4 mounting screws and 2 O-rings supplied loose



▶ ★ **Part no.**

Threaded ports	Weight [lbs.]	Part no.
3/8 NPTF	1.82	R432002017
1/2 NPTF	1.82	R432002018



A1	A	B	C	D	E	F	G	H	I	J	K
3/8 NPTF	4.724	2.953	4.094	0.315	1.654	0.252	0.276	0.787	0.315	4.035	1.181
1/2 NPTF	4.724	2.953	4.094	0.315	1.654	0.252	0.276	0.787	0.315	4.035	1.181

Dimensions in inches

Compressed air maintenance unit, series AS3

Accessories - Mounting flange kit AS3-MBR-...-W05 Metric version

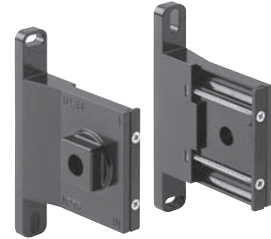


★ Mounting flange kit, metric threads AS3-MBR-...-W05 (attaches to metric or inch unit)

Weight See table

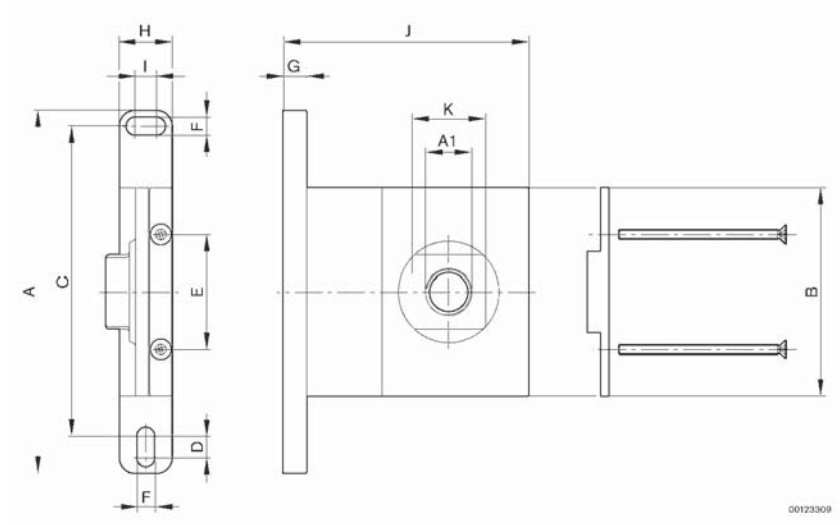
Materials Zn - diecasting

▶ Two block assembly elements (IN/OUT)
4 mounting screws and 2 O-rings supplied loose



★ Part no.

Threaded ports	Weight [kg](lbs.)	Part no.
G 3/8	0,825 (1.82)	R412007366
G 1/2	0,825 (1.82)	R412007367



A1	A	B	C	D	E	F	G	H	I	J	K
G 3/8	120	75	104	8	42	6,4	7	20	8	102,5	30
G 1/2	120	75	104	8	42	6,4	7	20	8	102,5	30

Compressed air maintenance unit, series AS3

Accessories - Control panel nut AS3-MBR-...-W06 (for Inch or Metric versions)



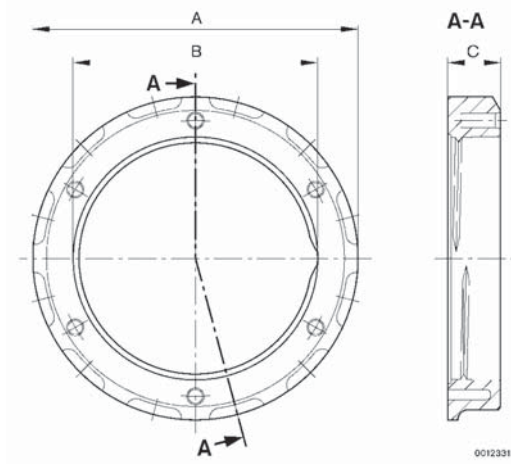
★ **Control panel nut AS3-MBR-...-W06**

Weight	See table
Materials	PA 66 (Polyamide 6.6)



➔ ★ **Part no.**

Weight [lbs.]	Part no.
0.013	R412007372



B	A	C
M42x1,5	2.185	0.315

Dimensions in inches

Compressed air maintenance unit, series AS3

Accessories - Reservoir AS3-CBS/-CLA/-CLS



★ Reservoir AS3-CBS/-CLA/-CLS

Materials Reservoir Polycarbonate or die cast zinc, with bayonet catch
Protective guard PA (polycarbonate version)

Plastic containers may only be cleaned with water, soap suds, and other similar, neutral agents.

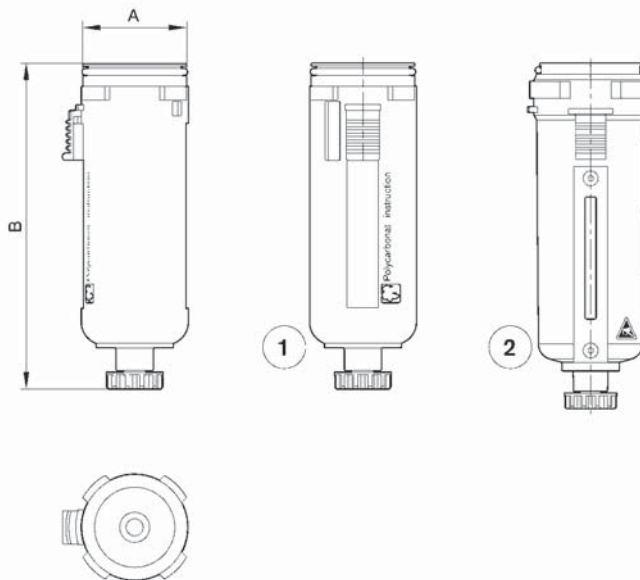


➔ ★ Part no. (CLS for filters)

thread connection	Condensate drain	Reservoir	Protective guard	Weight lbs. (kg)	Part No.
NPT or G	semi-automatic, opened without pressure	Diecast zinc	-	0.86 (0.39)	R412007344
	fully automatic, open without pressure	Diecast zinc	-	0.86 (0.39)	R412007345
	fully automatic, closed without pressure	Diecast zinc	-	0.86 (0.39)	R412007346
	semi-automatic, opened without pressure	Polycarbonate	polyamide	0.16 (.073)	R412007338
	fully automatic, open without pressure	Polycarbonate	polyamide	0.26 (0.118)	R412007339
	fully automatic, closed without pressure	Polycarbonate	polyamide	0.26 (0.118)	R412007340

Polycarbonate version has Polyamide protective guard.

Reservoir for standard, pre-filter, or coalescing filter; semi-automatic, without pressure: open (CLS)



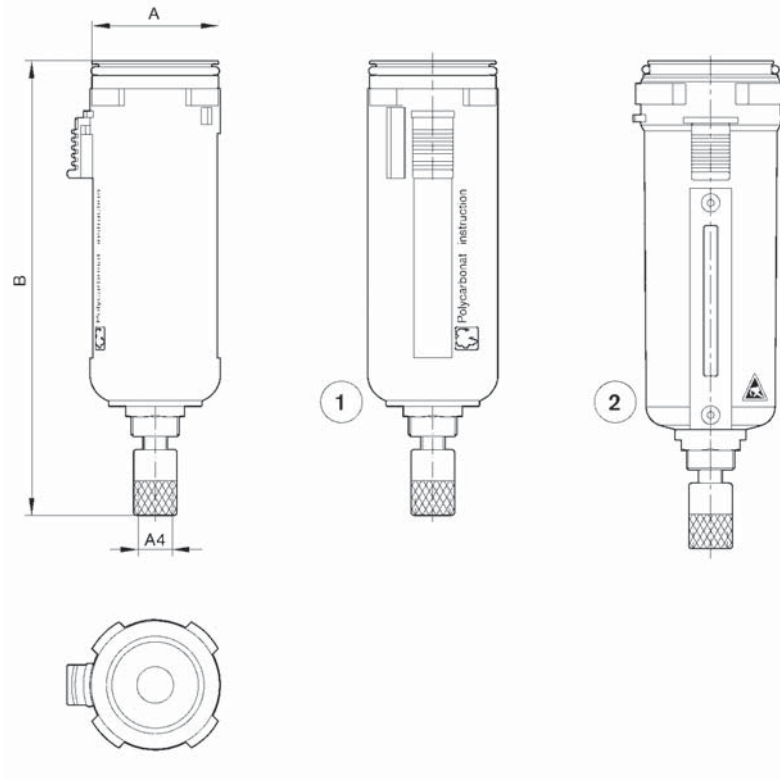
Part No.	A in. (mm)	B in. (mm)
R412007338	1.72 (43.8)	5.06 (128.5) fig. 1
R412007344	1.72 (43.8)	5.06 (128.5) fig. 2

Compressed air maintenance unit, series AS3

Accessories - Reservoir AS3-CBS/-CLA/-CLS



Reservoir for standard filter, pre-filter, or coalescing filter; fully automatic, without pressure: open or closed (CLS)



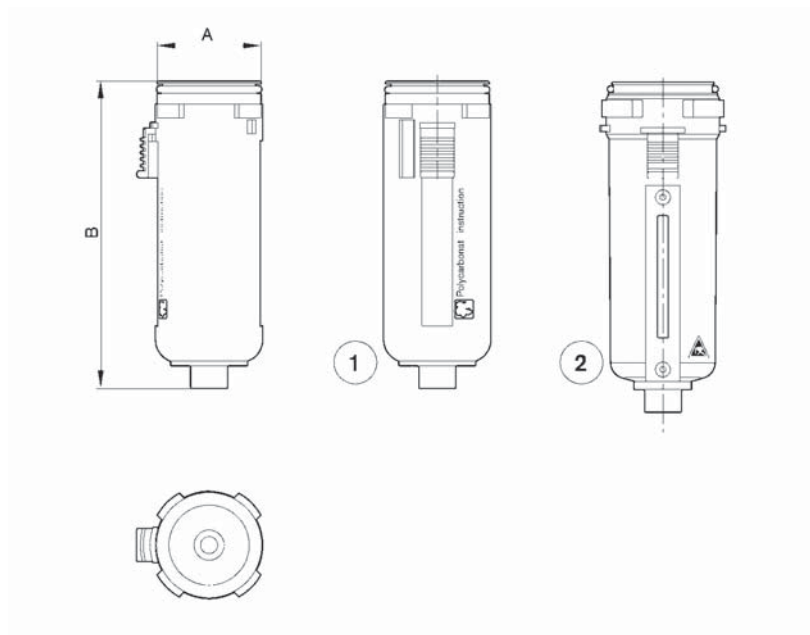
Part No.	Type	A4	A in. (mm)	B in. (mm)
R412007339	Open/Poly	G 1/8	1.72 (43.8)	5.71 (145)
R412007340	Closed/Poly	G 1/8	1.72 (43.8)	5.71 (145)
R412007345	Open/Metal	G 1/8	1.72 (43.8)	5.71 (145)
R412007346	Closed/Metal	G 1/8	1.72 (43.8)	5.71 (145)

Compressed air maintenance unit, series AS3

Accessories - Reservoir AS3-CBS/-CLA/-CLS



Reservoir for activated carbon filter (CLA) / oil-drop lubricator (CBS)



For threaded ports	Type	Reservoir	Weight lbs. (kg)	Part no.
NPT or G	CLA	Die cast Zinc	0.745 (0.338)	R412007349
	CLA	Polycarbonate	0.160 (0.073)	R412007347
	CBS	Die cast Zinc	0.739 (0.335)	R412007358
	CBS	Polycarbonate	0.190 (0.086)	R412007352

Polycarbonate version has Polyamide protective guard.

Part No.	Type	A in. (mm)	B in. (mm)
R412007349	CLA	1.72 (43.8)	4.96 (126)
R412007347	CLA	1.72 (43.8)	4.80 (122)
R412007358	CBS	1.72 (43.8)	4.80 (122)
R412007352	CBS	1.72 (43.8)	4.80 (122)

Compressed air maintenance unit, series AS5

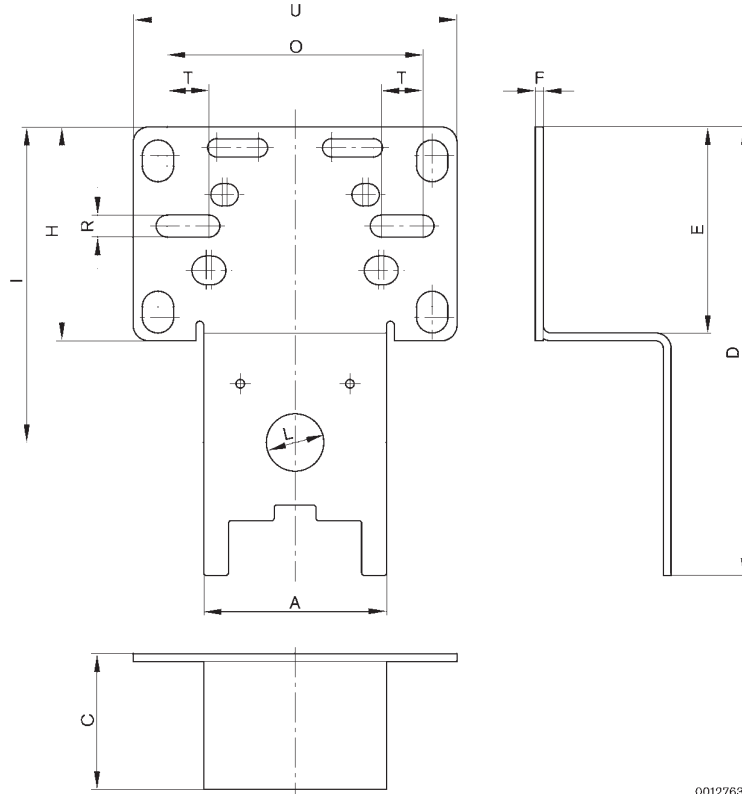
Accessories - Mounting bracket AS5-MBR-...-W01



★ Mounting plate, series AS5-MBR-...-W01-NPT (for inch or metric versions)



00119815



00127636

Material: sheet steel, galvanized
2 mounting screws 3x10 (Torx 10 IP) DIN EN ISO 10664, supplied loose

Part No.	A	C	D	E	F	H	I	L	O	R	T	U
R432031073	2.756	2.049	6.772	3.11	0.118	3.228	4.764	0.984	3.858	0.276	0.63	4.882

Part No.	Weight [lbs]
R432031073	0.869

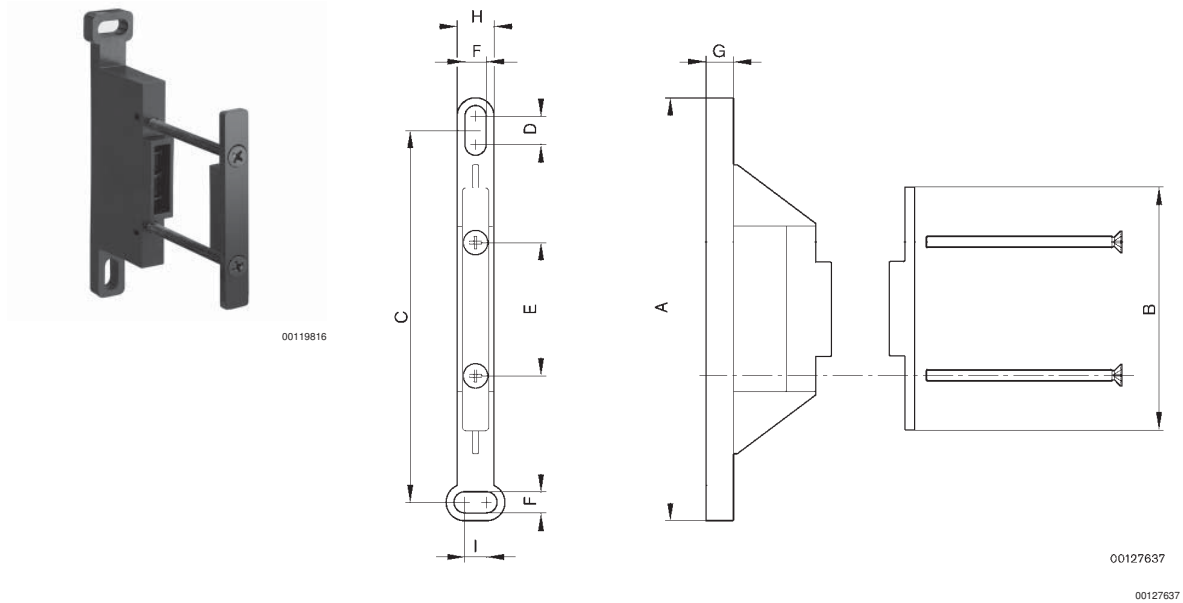
Dimensions in inches.

Compressed air maintenance unit, series AS5

Accessories - Mounting strap and block assembly kit



★ Mounting strap, series AS5-MBR-...-W03 (for inch or metric versions, also serves as joiner)

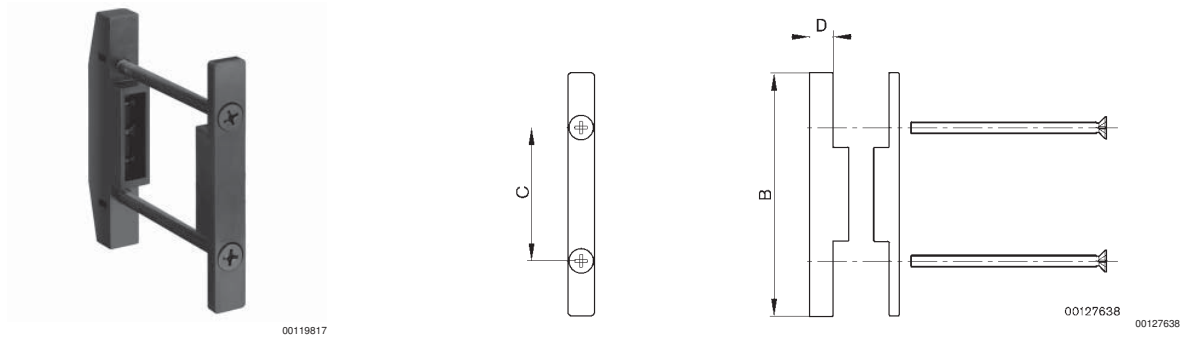


Material: Polyamide
2 mounting screws supplied loose

Part No.	A	B	C	D	E	F	G	H	I	Weight [lbs]
R412009370	6.378	4.016	5.315	0.394	2.246	0.335	0.394	0.69	0.394	0.265

Dimensions in inches.

★ Block assembly (joiner) kit, series AS5-MBR-...-W04 (for inch or metric versions)



Material: Polyamide
2 mounting screws supplied loose

Part No.	B	C	D	Weight [lbs]
R412009371	4.016	2.246	0.67	0.165

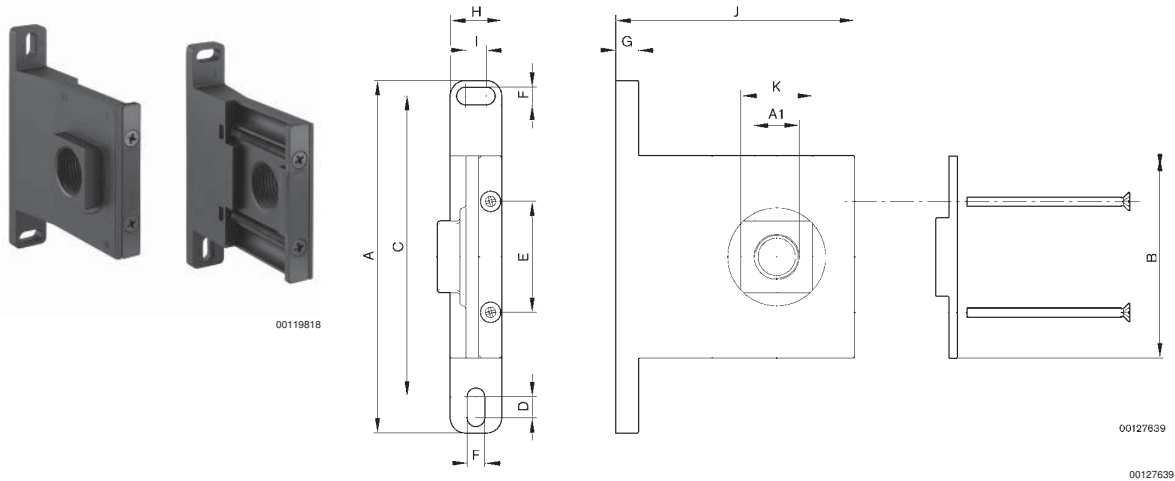
Dimensions in inches.

Compressed air maintenance unit, series AS5

Accessories - Mounting flange kits AS5-MBR-...-W05, inch and metric



★ **Mounting flange kit, NPTF threads, series AS5-MBR-...-W05 (attaches to inch or metric unit)**



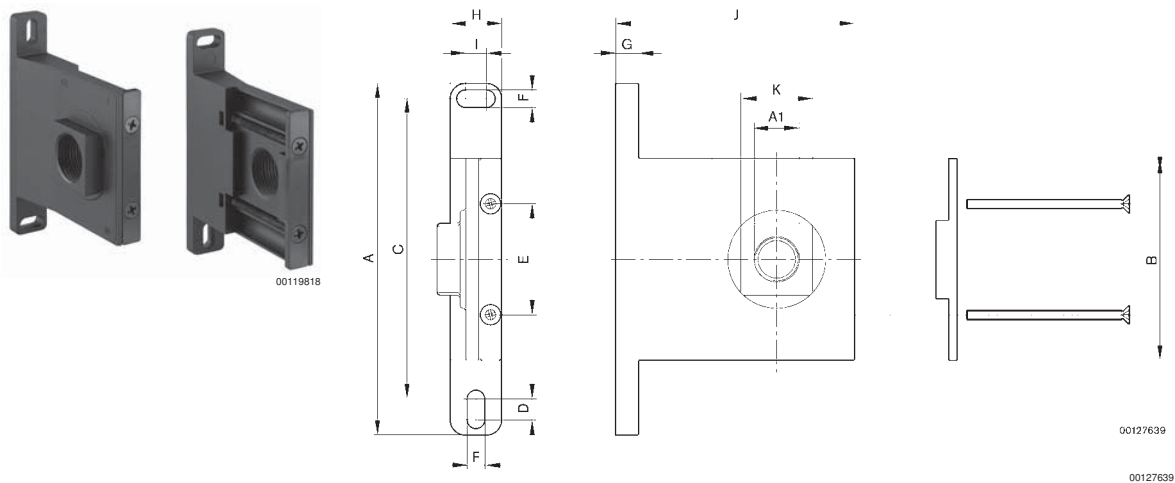
Material: die-cast zinc
4 mounting screws and 2 O-rings supplied loose

Part No.	A1	A	B	C	D	E	F	G	H	I	J	K
R432002817	3/4 NPTF	6.299	4.016	5.315	0.394	2.246	0.335	0.394	1.182	0.394	5.0	1.615
R432002818	1 NPTF	6.299	4.016	5.315	0.394	2.246	0.335	0.394	1.182	0.394	5.0	1.615

Part No.	Weight [lbs]
R432002817	1.499
R432002818	1.499

Dimensions in inches.

★ **Mounting flange kit, metric threads, series AS5-MBR-...-W05 (attaches to metric or inch unit)**



material: die-cast zinc
4 mounting screws and 2 O-rings supplied loose

	A1	A	B	C	D	E	F	G	H	I	J	K
R412009366	G3/4	160	102	135	10	57	8.5	10	30	10	127	41
R412009367	G1	160	102	135	10	57	8.5	10	30	10	127	41

Dimensions in mm.

Compressed air maintenance unit, series AS5

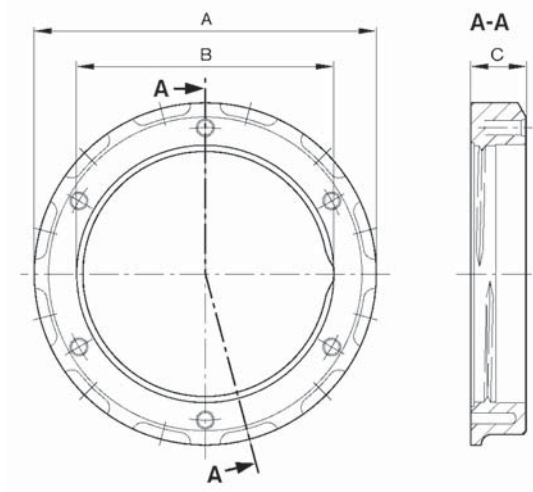
Accessories - Control panel Nut AS5-MBR-...-W06



* Panel nut, series AS5-MBR-...-W06 (for inch or metric versions)



00124065



00123311

	B	A	C							
1829234071	M50x1,5	64	7.5							

Dimensions in mm.

Compressed air maintenance unit, series AS5

Accessories - Reservoirs



★ **Reservoir, series AS5**

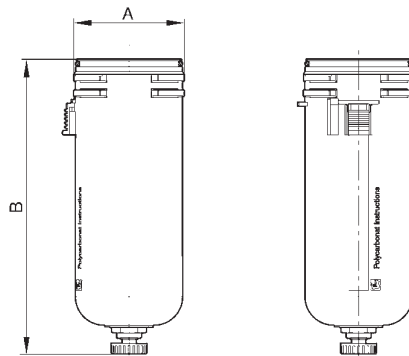
for filter, pre-filter, and coalescing filter AS5-CLS (for inch or metric versions)



00127653

Condensate drain	Reservoir	Protective guard	Weight [lbs]	Part No.
semi-automatic, opened without pressure	Polycarbonate	Polyamide	0.419	R412009338
fully automatic, open without pressure	Polycarbonate	Polyamide	0.531	R412009339
fully automatic, closed without pressure	Polycarbonate	Polyamide	0.531	R412009340
semi-automatic, opened without pressure	Die-cast zinc	none	1.609	R412009344
fully automatic, open without pressure	Die-cast zinc	none	1.721	R412009345
fully automatic, closed without pressure	Die-cast zinc	none	1.721	R412009346

Standard PC reservoir with PA protective guard, semi-automatic, without pressure: open



00119840

00119840

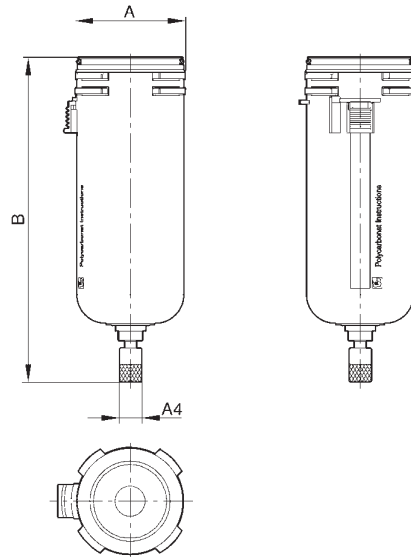
	A	B
R412009338	2.364	6.508

Compressed air maintenance unit, series AS5

Accessories - Reservoirs



Standard PC reservoir with PA protective guard, fully automatic AS5-CLS (for inch or metric versions)



00119841

00119841

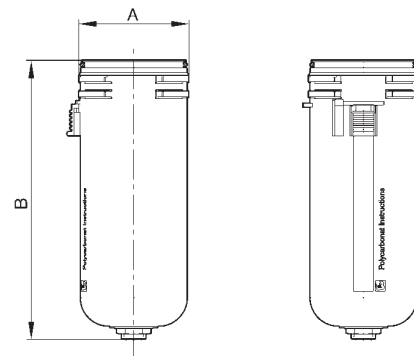
Part no.	Drain	A4	A	B
R412009339	Normally Open	G1/8	2.364	7.165
R412009340	Normally Closed	G1/8	2.364	7.165

Dimension in inches.

* Reservoir for lubricator, series AS5-CBS (for inch or metric versions)



00119813



00119842

00119842

	A	B
R412009352	2.364	6.094

Port	Reservoir	Weight [lbs]	Part No.
	Polycarbonate	0.419	R412009352

Reservoir: Polycarbonate. lubricator

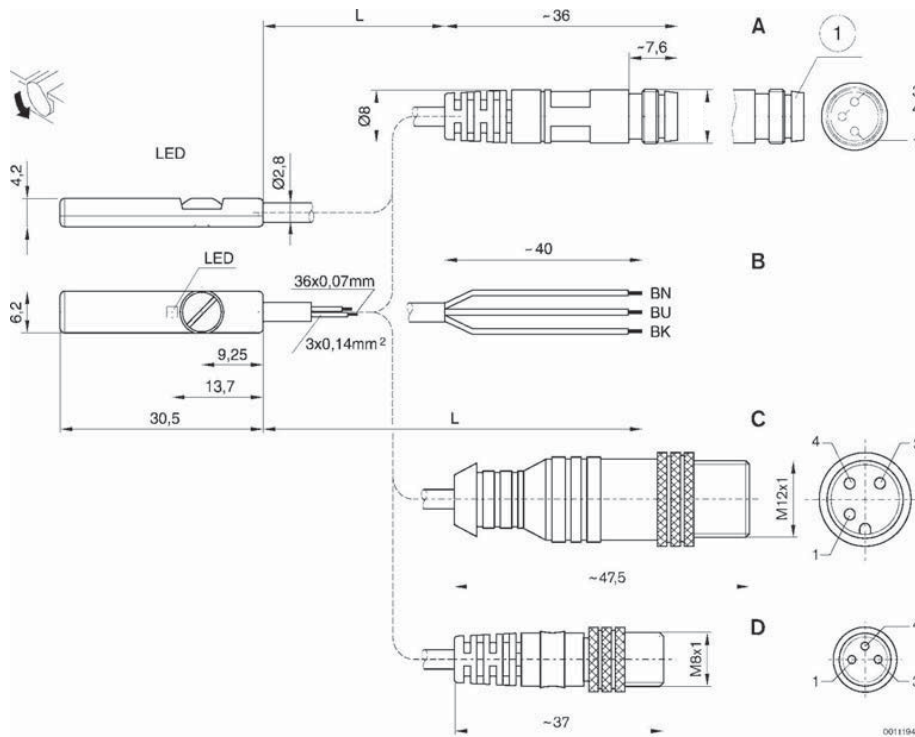
Compressed air maintenance unit, series AS2, AS3, AS5

Accessories - Sensor Series ST6, reed type
For lubricators with oil level sensing capability



Ambient temperature min./max.	-13°F / +158°F (-25°C / +70° C)
Protection class according to DIN EN 60529:2000	See table
Switching point precision	±0,1
Switching time on	0,5 ms
Switching time off	0,1 ms
LED	yellow
Shock resistance	30 g / 11 ms
Vibration resistance	10-55 Hz, 1 mm
materials:	
Sensor	polyamide
Cable	polyurethane
Operating voltage	10 ...30VAC/DC
Switching capacity max.	3W / 5VA

Style	Cable length (m)	Connector	Switching current max. (A)	Switching frequency max.	Part no.
B	3	-	AC/DC 0.13	< 300 Hz	0830100629
B	5	-	AC/DC 0.13	< 300 Hz	0830100630
B	10	-	AC/DC 0.13	< 300 Hz	R412004575
A	0.3	M8	AC/DC 0.13	< 300 Hz	0830100488
C	0.3	M12 x 1	AC/DC 0.13	< 300 Hz	0830100432
D	0.3	M8 x 1	AC/DC 0.13	< 300 Hz	0830100434
D	0.5	M8 x 1	AC/DC 0.13	< 300 Hz	0830100436



BN=brown, BK=black, BU=blue

Compressed air maintenance unit, series AS2, AS3, AS5

Accessories - Transition plate AS...-...-CNOMO / W07



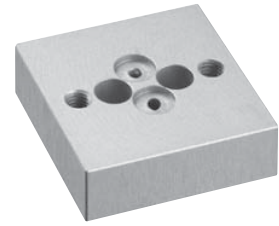
★ Transition plate AS...-...-CNOMO

Weight See table

Materials Aluminum

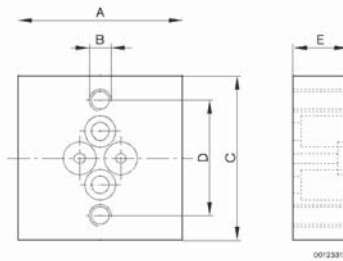
2 attachment bolts supplied loose

Use to adapt AS2, AS3 and AS5 pilot operated valves to accept CNOMO pilot valves.



▶ ★ Part no.

Weight [lbs]	Part no.
0.055	R412006360



A	B	C	D	E
1.182	M4	1.182	0.827	0.394

Dimensions in inches

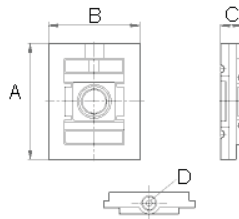
Transition plate AS...-W07

Materials: Fiberglass-reinforced Polyamide

Use to connect Series AS components of unequal sizes in a modular way.



Part Number	Description
R412010121	Connects AS2 components to AS3
R412010122	Connects AS3 components to AS5



Part Number	A	B	C	D
R412010121	2.95 (75)	2.40 (61)	0.55 (14)	G1/8 BSPP
R412010122	4.02 (102)	3.15 (80)	0.71 (18)	G1/4 BSPP

Dimensions in inches (mm)

Compressed air maintenance unit, series AS2, AS3, AS5

Accessories - Mechanical pressure switch, series PM1

Flange or pipe connection, for use with distributor blocks AS2, AS3 and AS5 - DIS



Technical Data

Type	Diaphragm, spring loaded
Operating pressure range	see table
Protection against overpressure	80 bar (1160 psi)
Switching precision	± 3 % (based on center range range)
Ambient temperature range	-25 °C to +80 °C (-13 °F to +176 °F)
Medium	compressed air
Installation position	any
Weight	0,2 kg (0.4 lbs)

Materials	Body Seals	Al Perbunan
-----------	---------------	----------------

Switching element	Micro switch (change-over contact)
Max. switching voltage	250 V DC/AC 24 V for M12
Max. switching capacity, ohmic load	15/12/7/7 A
Max. switching capacity, inductive load	12/9/5/5 A
Max. switching capacity, ohmic load	10/1,5/0,65/0,25 A
Max. switching capacity, inductive load	8/1/0,4/0,15 A
Max. switching frequency	100 cycles/min.
Max. Shock resistance	15 g, closing time 11ms
Electrical connection	via standardized electrical connector
Number of pins	3 + earth ground
Protection class (DIN 40 050)	IP 65 (NEMA 4)



Part number, flange connection (includes electrical connector DIN Form A)

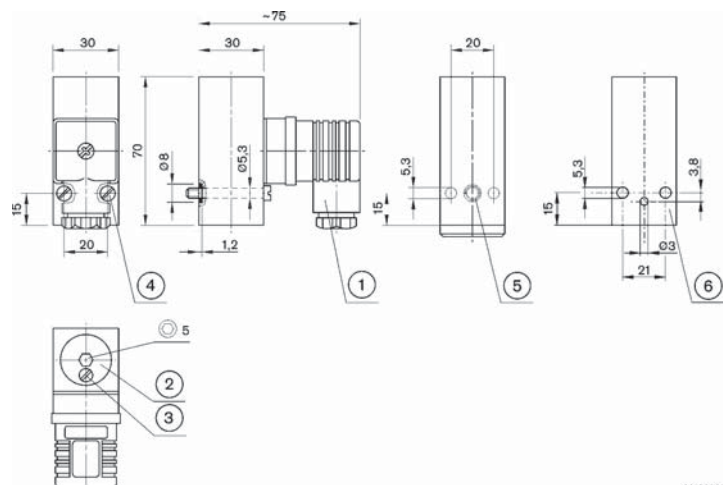
	Mechanical vacuum switch, pabs = -13 ... 0 psi	Part no. 0821100020
	Mechanical pressure switch, p1 = 2 ... 43 psi	0821100021
	Mechanical pressure switch, p1 = 15 ... 232 psi	0821100023
	Seal kit for flange connected pressure switch	R961400021

Part number, pipe connection G1/4 (includes electrical connector DIN Form A)

	Mechanical vacuum switch, pabs = -13 ... 0 psi	Part no. 0821100010
	Mechanical pressure switch, p1 = 2 ... 43 psi	0821100011
	Mechanical pressure switch, p1 = 15 ... 232 psi	0821100013
	Accessory: Pipe nipple G1/4 for pipe-connected switch	1823391017

For pressure characteristic curves, see on-line catalog.

flange connection 0821100020 / 0821100021 / 0821100023



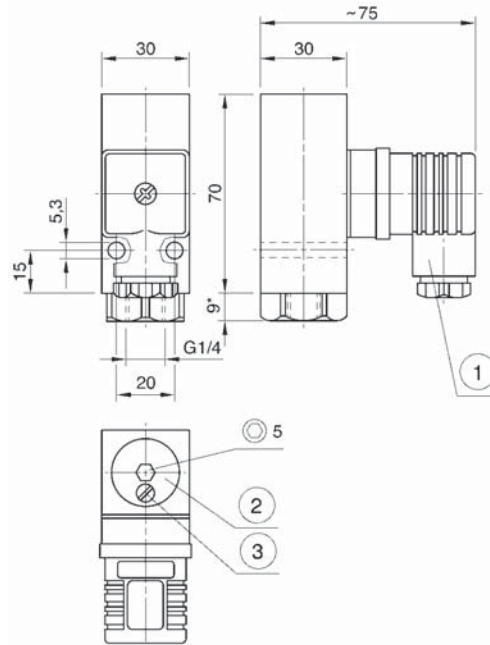
- 1) Electrical connector
- 2) Adjusting screw
- 3) Adjustment protection
- 4) Cylinder screw M5
- 5) O-ring
- 6) Flange connection CNOMO 060580

Compressed air maintenance unit, series AS2, AS3, AS5

Accessories - Mechanical pressure switch, series PM1
 Flange or pipe connection/Double nipple



pipe connection 0821100010 / 0821100011 / 0821100013



00106000

* for 0821100011 = 15 mm

1) el. connector 2) adjusting screw 3) adjustment protection

Double Nipple

for connection to pressure switches
 (for PE5, PM1, etc.)

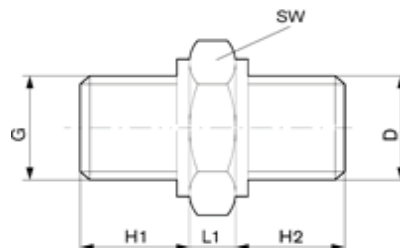


Part Number	Thread (G) with o-ring	Thread (D)	SW	L1	H1	H2
R412010016	1/4 BSPP	1/4 BSPP*	17	12	8.5	10.5
R412010018	1/4 BSPP	1/4 NPT**	17	12	8.5	13.5

Dimensions in mm.

*PTFE seal ring included

**No sealant applied on NPT version



Compressed air maintenance unit, series AS2, AS3, AS5

Accessories - Contamination display AS2, AS3, AS5 / Repair Parts & Kits



★ Contamination display AS2-AS3-AS5

Weight See table

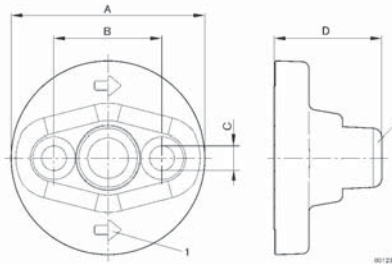
Materials Body POM
Level indicator Polycarbonate



▶ Contamination display for microfilter AS2-FLC, AS3-FLC, and AS5-FLC
2 mounting screws (M5x20; DIN 965) and 2 O-rings (4x1.5; DIN 3771) supplied loose

★ Part no.

Weight (lbs)	Part no.
0.055	R412006363



1) Flow direction

2) Display: green = $\Delta p < 0.35$ bar [5 psi] (5 psi); red = $\Delta p \geq 0.35$ bar [5 psi] (85 psi)

A	B	C	D
1.694	0.945	0.217	0.945

Dimensions in inches

Repair Parts and Kits

Replacement Filter Elements			Regulator Repair Kits	
Type	Element for units with manual drain or no drain (model code HO or -NON)	Element for units with automatic (float) drain (type -AO or AC)	Regulator Type	Repair Kit
AS2-FLS or AS2-FRE, 40 micron	R961400009	R961400009	AS2 Standard Regulator*	R961400030
AS2-FLS or AS2-FRE, 5 micron	1829207061	1829207061	AS2 Precision Regulator	R961400031
AS2-FLP	R961400025	1829207047	AS3 Standard Regulator*	R961400144
AS2-FLC	R961400027	R961400026	AS3 Precision Regulator	R961400145
AS2-FLA	1829207044	N/A	AS5 Std. Reg.* 010 = 15 PSI max output	R961403334
AS3-FLS or AS3-FRE, 40 micron	R961400142	R961400142	AS5 Std. Reg.* 020 = 29 PSI max output	R961403335
AS3-FLS or AS3-FRE, 5 micron	1829207068	1829207068	AS5 Std. Reg.* 040 = 58 PSI max output	R961403336
AS3-FLP	R961400140	R961400140	AS5 Std. Reg.* 080 = 116 PSI max output	R961403337
AS3-FLC	R961400141	R961400141	AS5 Std. Reg.* 100 = 145 PSI max output	R961403338
AS3-FLA	R961400143	N/A	AS5 Std. Reg.* 160 = 232 PSI max output	R961403339
AS5-FLS or AS5-FRE, 40 micron	R961403332	R961403332		
AS5-FLS or AS5-FRE, 5 micron	R961403328	R961403328		
AS5-FLP	R961403330	R961403330		
AS5-FLC	R961403331	R961403331		
AS5-FLA	R961403333	N/A		

*Combination units, including filter-regulators, use a Standard regulator design.

Compressed air maintenance unit, series AS2-AS3

Diaphragm-type dryer, Series AS...-ADD,
1/4 - 1/2 BSPP and NPT



Technical Data

Type	Diaphragm-type dryer
Working pressure	4 - 12.5 bar (58 - 181 psi)
Lowering pressure dew point	20 °C (68 °F)
Ambient/medium temperature	+2 °C to +50 °C (36 °F to +122 °F) *
Medium	Compressed air
Installation position	vertical



Materials (body)	Polyamide, seals Buna-N(NBR)
Thread bushing	Die-cast zinc
Cover	ABS
Reservoir	Aluminum

Technical Remarks

- Note: air may not contain condensate
- purge air approx. 12% of nominal flow Qn
- Recommended pre-filtering [µm]: 5 / 0.01 µm

Symbol	Series	Port Size	Qn [l/min]	Reservoir	Note	Weight [kg]	Part No. BSPP	Part No. NPT
	AS2	3/8	50	Aluminum	Fig. 1	0.48	R412006078	R432031914
			100		Fig. 1	0.57	R412006079	R432031915
			150		Fig. 1	0.69	R412006080	R432031916
			200		Fig. 1	0.70	R412006081	R432031917
			300		Fig. 2	1.43	R412006082	R432031918
			400		Fig. 2	1.73	R412006083	R432031919
	AS3	1/2	400	Aluminum	Fig. 1	2.03	R412007078	R432031920
			500		Fig. 2	3.26	R412007079	R432031921
			660		Fig. 2	3.56	R412007080	R432031922
			950		Fig. 2	3.90	R412007081	R432031923

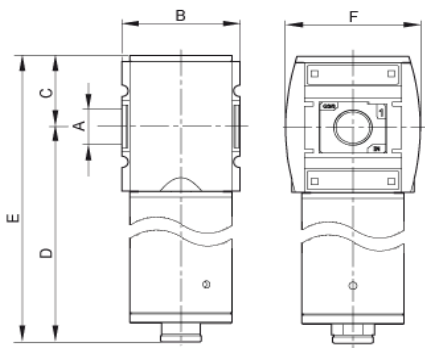


Fig. 1

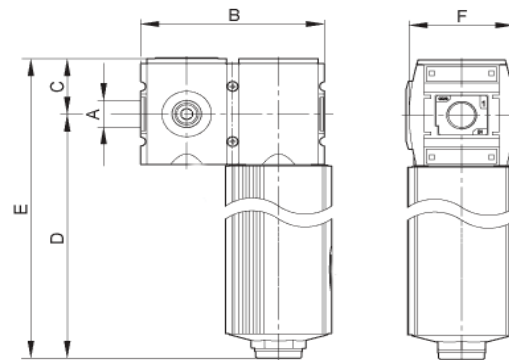


Fig. 2 (includes distribution block)

Part No.	A	B	C	D	E	F
R412006078	R432031914	3/8	52	34	167.9	201.9
R412006079	R432031915	3/8	52	34	217.9	251.9
R412006080	R432031916	3/8	52	34	257.9	291.9
R412006081	R432031917	3/8	52	34	317.9	351.9
R412006082	R432031918	3/8	104	34	412	446
R412006083	R432031919	3/8	104	34	472	506
R412007078	R432031920	1/2	63	43	478	521
R412007079	R432031921	1/2	126	43	464	507
R412007080	R432031922	1/2	126	43	515	558
R412007081	R432031923	1/2	126	43	584	627

Compressed air maintenance unit, series AS2, AS3, AS5

Accessories - Vacuum type pressure gauge (for metric versions)



★ Pressure gauges, Series PG1

ROB-SAS, for series AS2-AS5



Ambient temperature min./max.	+0°C / +50° C (+32°F /+122°F)
Medium	compressed air acc. to ISO 8573-1: 2001
Compressed air class	class 6-4-3
Version	Bourdon tube pressure gauge
Class	2,5
Materials:	
Housing	Polyamide
Seal	Polytetrafluorethylene (PTFE)
Thread	brass

00123444

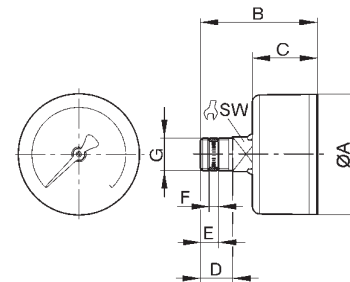
Material: male threaded connection = brass; seal = PTFE

For all AS2-AS5 regulators with G/BSPP threads, and for AS2-AS5 regulators with NPT threads manufactured before February 2009 (date codes 581 to 981)

Symbol	Port	Display range		Application	Housing dia.	Weight	Part No.
		psi [bar]	psi [bar]				
	G 1/4	0 - 23 (0 - 1.6)	0 - 17 (0 - 1.2)	0 - 17 (0 - 1.2)	1.58" (40)	0.176 (0.08)	R412004407
	G 1/4	0 - 36 (0 - 2.5)	0 - 29 (0 - 2)	0 - 29 (0 - 2)	1.58" (40)	0.176 (0.08)	R412004408
	G 1/4	0 - 58 (0 - 4)	0 - 46 (0 - 3.2)	0 - 46 (0 - 3.2)	1.58" (40)	0.176 (0.08)	R412004409
	G 1/4	0 - 87 (0 - 6)	0 - 58 (0 - 4)	0 - 58 (0 - 4)	1.58" (40)	0.176 (0.08)	R412004410
	G 1/4	0 - 145 (0 - 10)	0 - 116 (0 - 8)	0 - 116 (0 - 8)	1.58" (40)	0.176 (0.08)	R412004411
	G 1/4	0 - 232 (0 - 16)	0 - 145 (0 - 10)	0 - 145 (0 - 10)	1.58" (40)	0.176 (0.08)	R412004412
	G 1/4	0 - 23 (0 - 1.6)	0 - 17 (0 - 1.2)	0 - 17 (0 - 1.2)	1.97" (50)	0.198 (0.09)	R412004413
	G 1/4	0 - 36 (0 - 2.5)	0 - 29 (0 - 2)	0 - 29 (0 - 2)	1.97" (50)	0.198 (0.09)	R412004414
	G 1/4	0 - 58 (0 - 4)	0 - 46 (0 - 3.2)	0 - 46 (0 - 3.2)	1.97" (50)	0.198 (0.09)	R412004415
	G 1/4	0 - 87 (0 - 6)	0 - 58 (0 - 4)	0 - 58 (0 - 4)	1.97" (50)	0.198 (0.09)	R412004416
	G 1/4	0 - 145 (0 - 10)	0 - 116 (0 - 8)	0 - 116 (0 - 8)	1.97" (50)	0.198 (0.09)	R412004417
	G 1/4	0 - 232 (0 - 16)	0 - 145 (0 - 10)	0 - 145 (0 - 10)	1.97" (50)	0.198 (0.09)	R412004418
	G 1/4	0 - 23 (0 - 1.6)	0 - 17 (0 - 1.2)	0 - 17 (0 - 1.2)	2.48" (63)	0.22 (0.1)	R412004419
	G 1/4	0 - 36 (0 - 2.5)	0 - 29 (0 - 2)	0 - 29 (0 - 2)	2.48" (63)	0.22 (0.1)	R412004420
	G 1/4	0 - 58 (0 - 4)	0 - 46 (0 - 3.2)	0 - 46 (0 - 3.2)	2.48" (63)	0.22 (0.1)	R412004421
	G 1/4	0 - 87 (0 - 6)	0 - 58 (0 - 4)	0 - 58 (0 - 4)	2.48" (63)	0.22 (0.1)	R412004422
	G 1/4	0 - 145 (0 - 10)	0 - 116 (0 - 8)	0 - 116 (0 - 8)	2.48" (63)	0.22 (0.1)	R412004423
	G 1/4	0 - 232 (0 - 16)	0 - 145 (0 - 10)	0 - 145 (0 - 10)	2.48" (63)	0.22 (0.1)	R412004424

Housing and Dial: black

Dual Scales: bar = white (outside); psi = gray (inside)



Ø (mm/Inch)	ØA	B	C	D	E	F	G	SW (A/F) (mm)
40 / 1.58"	1.537	1.752	0.926	0.394	0.221	0.083	G 1/4	14 mm
50 / 1.97"	1.931	1.872	1.044	0.512	0.284	0.146	G 1/4	14 mm
63 / 2.48"	2.443	1.872	1.143	0.512	0.284	0.146	G 1/4	14 mm

Dimensions in inches.

Compressed air maintenance unit, series AS2, AS3, AS5

Accessories - Vacuum type pressure gauge (for inch versions)



★ Pressure gauges, Series PG1-Inch

ROB-SAS, for series MU1 (inch), NL1 (inch), AS2-AS5 (Inch)

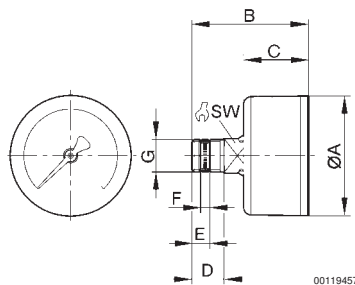


Ambient temperature min./max.	32 F / 122 F (+0°C / +50°C)
Medium	compressed air acc. to ISO 8573-1: 2001
Compressed air class	class 6-4-3
Version	Bourdon tube pressure gauge
	Outer Scale in PSI
	Inner Scale in Bar
Housing color	black housing
	black face
	white outer scale
	white part number
	grey inner scale
Class	2.5 (Accurate to 2.5% of full scale pressure)
materials:	
Housing	polyamide
Seal	PTFE (polytetrafluoroethylene)
Thread	brass

For AS2-AS5 regulators with NPT threads manufactured after January 2009, (date codes 982-992, 001-460), and all MU1/NL1 inch

	Version	Port	Display range [psi]	Application [psi]	Housing diameter [in]	Weight [lb]	Scale value [psi]	Part No.
	ROB-SAS	1/8 NPT	0 - 40	0 - 30	1.58	0.2	1	R412010060
		1/8 NPT	0 - 60	0 - 45	1.58	0.2	2	R412010061
		1/8 NPT	0 - 100	0 - 75	1.58	0.2	2	R412010062
		1/8 NPT	0 - 160	0 - 120	1.58	0.2	5	R412010063
		1/8 NPT	0 - 200	0 - 150	1.58	0.2	5	R412010064
		1/8 NPT	0 - 300	0 - 225	1.58	0.2	10	R412010065
		1/4 NPT	0 - 40	0 - 30	1.97	0.2	1	R412010066
		1/4 NPT	0 - 60	0 - 45	1.97	0.2	2	R412010067
		1/4 NPT	0 - 100	0 - 75	1.97	0.2	2	R412010068
		1/4 NPT	0 - 160	0 - 120	1.97	0.2	5	R412010069
		1/4 NPT	0 - 200	0 - 150	1.97	0.2	5	R412010070
		1/4 NPT	0 - 300	0 - 225	1.97	0.2	10	R412010071
		1/4 NPT	0 - 40	0 - 30	2.48	0.22	1	R412010072
		1/4 NPT	0 - 60	0 - 45	2.48	0.22	2	R412010073
		1/4 NPT	0 - 100	0 - 75	2.48	0.22	2	R412010074
		1/4 NPT	0 - 160	0 - 120	2.48	0.22	5	R412010075
		1/4 NPT	0 - 200	0 - 150	2.48	0.22	5	R412010076
		1/4 NPT	0 - 300	0 - 225	2.48	0.22	10	R412010077

dimensions (in inches, unless otherwise noted)



Ø	G	ØA	B	C	D	SW							
40mm	1/8 NPT	1.58	1.75	0.93	0.39	14mm							
50mm	1/4 NPT	1.93	1.87	1.05	0.51	14mm							
63mm	1/4 NPT	2.48	1.90	1.15	0.51	14mm							

Filters:

Filter types FLS, FLP and FLC include one of three types of condensate drain valves (type FLA includes no drain):

Semi-automatic, opened without pressure

The semi-automatic drain valve opens, releasing the bowl contents, when the bowl pressure is reduced to a level of 7 PSI or below (i.e. when the supply pressure is closed off). The drain valve closes when the bowl pressure climbs above the 7 PSI level.* The semi-automatic drain can be manually opened, manually closed off, or left in semi-automatic mode by appropriately positioning the drain operator at the bottom of the bowl. See Figure 1:

*The above assumes external air pressure of 0 PSIG.

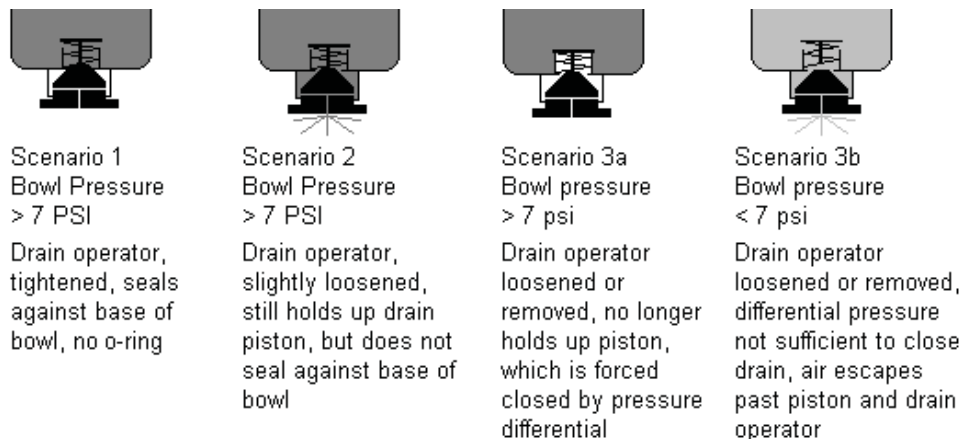
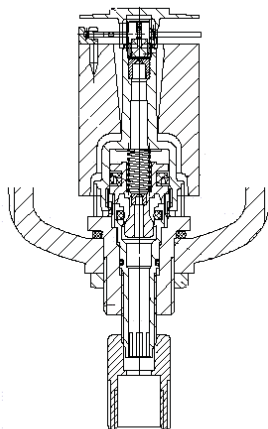


Figure 1: Semi automatic drain operation



Fully-automatic, without pressure: open

The fully-automatic drain valve (without-pressure open) is, like the semi-automatic version, a normally-open drain which closes upon application of pressure to the bowl. The pressure required to keep this drain closed is 21 PSI. This version includes a float operator. When the float rises (moves away from the base of the bowl) whether due to condensate level rising or due to the orientation or movement of the bowl, the drain opens.

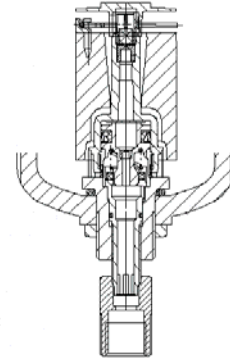
This version can be manually opened by turning the knurled operator at the bottom of the bowl.

Filters (cont.):

Fully-automatic, without pressure: closed

Similar to the fully-automatic, without pressure: open version, this drain operates using a float. When the condensate reaches a predetermined level, the drain opens. As the condensate drains and the level lowers, the drain closes. The status of this drain, however, does not depend on bowl pressure (i.e. it does not open when bowl pressure is relieved). Therefore, it can be used in applications requiring very low bowl pressure.

This version can also be manually opened by turning the knurled drain operator at the bottom of the bowl.



Regulators:

Reverse flow functionality

All Series AS2 and AS3 regulators (and combination filter-regulators) include a reverse flow function. When upstream pressure reaches zero PSIG, downstream pressure is vented through the supply port of the regulator at a full flow rate, rather than at a reduced rate via the relief port under the adjustment knob. No external check valve is required.

Series AS5 regulators do not currently include this functionality.

Application example (see Figure 2):

Air savings and decreased cycle time through use of differential pressure. Contact Rexroth for details.)

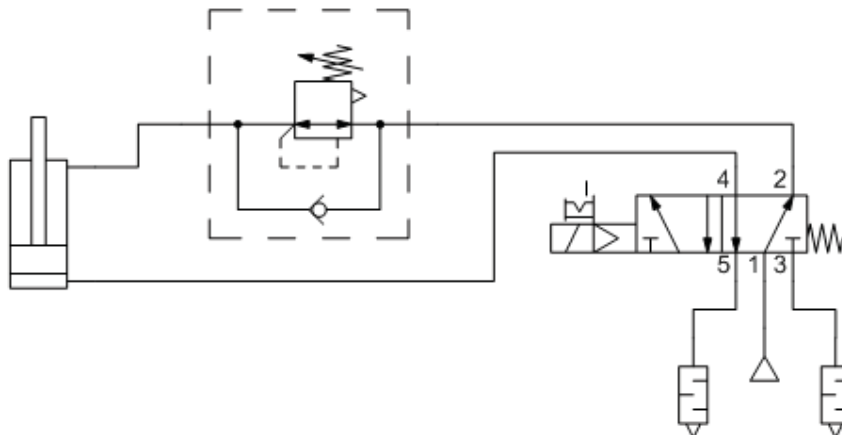


Figure 2: Differential pressure pneumatic circuit schematic

Special considerations for AS5 regulators

To provide improved hysteresis and, therefore, more stable control of pressure, all Series AS5 regulators (and combination filter-regulators) are equipped with an internal precision pilot regulator. The design does require that the regulator bleed off a small amount of air (approximately 1 liter per minute) to atmosphere. Depending on the application, the bleed rate may vary during operation.

NOTICE TO PRODUCT USERS

1. WARNING: FLUID MEDIA

AVENTICS pneumatic devices are designed and tested for use with filtered, clean, dry, chemical free air at pressures and temperatures within the specified limits of the device. For use with media other than air or for human life support systems, AVENTICS must be consulted. Hydraulic cylinders are designed for operation with filtered, clean, petroleum based hydraulic fluid; operation using fire-resistant or other special types of fluids may require special packing and seals. Consult the factory.

2. WARNING: MATERIAL COMPATIBILITY

Damage to product seals or other parts caused by the use of non-compatible lubricants, oil additives or synthetic lubricants in the air system compressor or line lubrication devices voids the AVENTICS warranty and can result in product failure or other malfunction. See lubrication recommendations below.

AIR LINE LUBRICANTS! In service higher than 18 cycles per minute or with continuous flow of air through the device, an air line lubricator is recommended.* (Do not use line lubrication with vacuum products.) However, the lubricator must be maintained since the oil will wash out the grease, and lack of lubrication will greatly shorten the life expectancy. The oils used in the lubricator must be compatible with the elastomers in the device. The elastomers are normally BUNA-N, NEOPRENE, VITON, SILICONE and HYTREL. AVENTICS recommends the use of only petroleum based oils without synthetic additives, and with an aniline point between 180° F and 210° F.

COMPRESSOR LUBRICANTS! All compressors (with the exception of special "oil free" units) pass oil mist or vapor from the internal crankcase lubricating system through to the compressed air. Since even small amounts of non-compatible lubricants can cause severe seal deterioration (which could result in component and system failure) special care should be taken in selecting compatible compressor lubricants.

3. WARNING: INSTALLATION AND MOUNTING

The user of these devices must conform to all applicable electrical, mechanical, piping and other codes in the installation, operation or repair of these devices.

INSTALLATION ! Do not attempt to install, operate or repair these devices without proper training in the technique of working on pneumatic or hydraulic systems and devices, unless under trained supervision.

Compressed air and hydraulic systems contain high levels of stored energy. Do not attempt to connect, disconnect or repair these products when a system is under pressure. Always exhaust or drain the pressure from a system before performing any service work. Failure to do so can result in serious personal injury.

MOUNTING! Devices should be mounted and positioned in such a manner that they cannot be accidentally operated.

4. WARNING: APPLICATION AND USE OF PRODUCTS

The possibility does exist for any device or accessory to fail to operate properly through misuse, wear or malfunction. The user must consider these possibilities and should provide appropriate safe guards in the application or system design to prevent personal injury or property damage in the event of a malfunction.

5. WARNING: CONVERSION, MAINTENANCE AND REPAIR

When a device is disassembled for conversion to a different configuration, maintenance or repair, the device must be tested for leakage and proper operation after being reassembled and prior to installation.

MAINTENANCE AND REPAIR! Maintenance periods should be scheduled in accordance with frequency of use and working conditions. All AVENTICS products should provide a minimum of 1,000,000 cycles of maintenance free service when used and lubricated as recommended. However, these products should be visually inspected for defects and given an "in system" operating performance and leakage test once a year. Where devices require a major repair as a result of the one million cycles, one year, or routine inspection, the device must be disassembled, cleaned, inspected, parts replaced as required, rebuilt and tested for leakage and proper operation prior to installation. See individual catalogs for specific cycle life estimates.

6. PRODUCT CHANGES

Product changes including specifications, features, designs and availability are subject to change at any time without notice. For critical dimensions or specifications, contact factory.

*Many AVENTICS pneumatic valves and cylinders can operate with or without air line lubrication; see individual sales catalogs for details.

-Refer to the appropriate service manual for parts and service information, most are available for download from www.aventics.com/us

LIMITATIONS OF WARRANTIES & REMEDIES

AVENTICS warrants all Products manufactured by it to be free from defects in material and workmanship under normal operating conditions and proper application in accordance with specifications for operation as described in the Data Sheet which accompanies such Products, for (i) twenty-four (24) months after date of shipment to Distributor, (ii) eighteen (18) months after date of shipment to the customer, or (iii) twelve (12) months after the Product is placed in service, whichever occurs first. Vendor or customer-supplied items on systems, assemblies are warranted per original manufacturer's warranty policy.

THE FOREGOING WARRANTY IS EXPRESSLY IN LIEU OF ANY OTHER WARRANTIES EXPRESSED OR IMPLIED, INCLUDING BUT NOT LIMITED TO THE IMPLIED WARRANTIES OF MERCHANTABILITY OR FITNESS FOR A PARTICULAR PURPOSE.

Buyer's sole and exclusive remedy under this warranty shall be limited to the repair or exchange of warranted products at AVENTICS' option FOB AVENTICS' factory. No attempt to repair or improve the Goods or parts by any of AVENTICS' representatives shall change or extend this warranty.

If the Buyer (as that term is hereafter defined) or Agent grants to an end user any warranty which is greater in scope, time period or labor allowance than the warranty stated herein, AVENTICS shall not be liable beyond this stated warranty. Except as otherwise provided under the Warranty Processing Procedures section of this warranty, equipment and accessories not manufactured by AVENTICS shall not be the responsibility of AVENTICS. The term "Buyer" as used herein means the person or firm that purchased the product directly from AVENTICS, and includes direct OEM customers and AVENTICS distributors.

No products shall be returned without prior authorization from AVENTICS. Buyer shall prepay all transportation charges for the return of such products to AVENTICS' factory or authorized factory service center. AVENTICS will not accept any charges for labor and/or parts incidental to the removal and remounting of products repaired or replaced under this warranty. All repair and replacement parts provided under this warranty will assume the identity, for warranty purposes, of the part replaced and the warranty on such replacement parts will expire when the warranty on the original part would have expired. Claims must be submitted within 30 days of failure or be subject to rejection. This warranty is not transferable beyond the first using purchaser. An AVENTICS Quality Service Report (QSR) to initiate the warranty request is available online (www.aventics.com/us/downloads).

Additional conditions apply - for full details, download our Terms & Conditions of Sale from www.aventics.com/us/downloads.

AVENTICS Corporation

1953 Mercer Road
Lexington, KY 40511
Tel 859.254.8031
Fax 800.489.1488
www.aventics.com/us
info.us@aventics.com



AVENTICS Incorporated

5515 North Service Rd
Suite #104
Burlington, Ontario L7L 6G4
Tel 905.332.0399
Fax 905.332.8596
www.aventics.com/ca
info.ca@aventics.com

Further contacts:

www.aventics.com/en/contact

The data specified only serve to describe the product. No statements concerning a certain condition or suitability for a certain application can be derived from our information. The information given does not release the user from the obligation of own judgment and verification. It must be remembered that our products are subject to a natural process of wear and aging.