

Valve systems ▶ Valve systems

2x3/2-directional valve, Series AV03

- ▶ Qn = 250 - 300 l/min ▶ plate connection ▶ Manual override: with detent, without detent ▶ double solenoid
- ▶ Pilot: external



18437

Version	Spool valve, zero overlap
Sealing principle	Soft sealing
Blocking principle	Base plate principle, multiple
Working pressure min./max.	-0,9 bar / 10 bar
Control pressure min./max.	3 bar / 8 bar
Ambient temperature min./max.	-10 °C / +60 °C
Medium temperature min./max.	-10 °C / +60 °C
Medium	Compressed air
Max. particle size	40 μm
Oil content of compressed air	0 mg/m ³ - 5 mg/m ³
Nominal flow Qn	See table below
Protection class with connection	with directional pilot air exhaust IP65
Protective circuit	Z-diode Protected against polarity reversal
Status display LED	Yellow
Duty cycle	100 %
Typ. switch-on time	16 ms
Typ. switch-off time	20 ms
Mounting screw	Hexalobular socket (TORX) ISO 10664-8
Mounting screw tightening torque	0,5 Nm
Weight	See table below
Materials:	
Housing	Polyamide, fiber-glass reinforced
Seals	Acrylonitrile butadiene rubber; Hydrogenated acrylonitrile butadiene rubber
Front plate	Polyamide, fiber-glass reinforced
End plate	Polyamide

Technical Remarks

- The min. control pressure must be adhered to, since otherwise faulty switching and valve failure may result!
- The pressure dew point must be at least 15 °C under ambient and medium temperature and may not exceed 3 °C.
- The oil content of compressed air must remain constant during the life cycle.
- Use only the approved oils from AVENTICS, see chapter „Technical information“.

Operational voltage	Voltage tolerance	Power consumption
DC	DC	DC
		W
24 V	-10% / +10%	0.55

		MO	Oper- ating voltage	Power consumption	Flow conductance		Flow rate value	Weight	Part No.
					DC	C			
			DC	[W]	b	C	Qn	[kg]	
							[l/(s*bar)]	[l/min]	
	NC/NC		24 V	0.55	0.29	1.17	300	0.05	R422102430

MO = Manual override
 Basic valve with pilot valve
 Nominal flow Qn at 6 bar and Δp = 1 bar

Part numbers marked in bold are available from the central warehouse in Germany, see the shopping basket for more detailed information

Pneumatics catalog, online PDF, as of 2017-04-05, ©AVENTICS S.à r.l., subject to change

Buy: www.ValinOnline.com | Phone 844-385-3099 | Email: CustomerService@valin.com

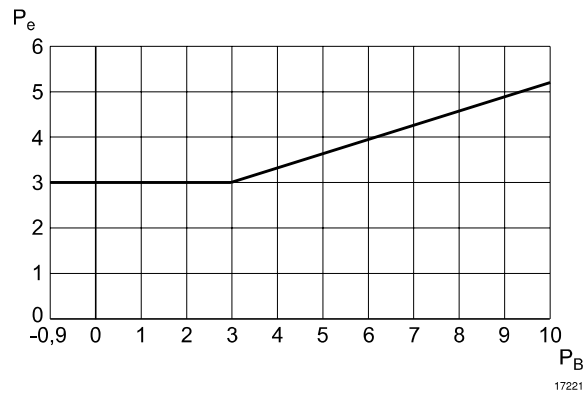
2x3/2-directional valve, Series AV03

- ▶ $Q_n = 250 - 300$ l/min ▶ plate connection ▶ Manual override: with detent, without detent ▶ double solenoid
 ▶ Pilot: external

		MO	Operating voltage	Power consumption		Flow conductance		Flow rate value Q_n	Weight [kg]	Part No.
				DC	DC	b	C			
	NO/NO		24 V	0.55	0.38	0.92	250	0.049	R422102432	
	NC/NO		24 V	0.55	0.38	0.92	250	0.05	R422102434	
	NC/NC		24 V	0.55	0.29	1.17	300	0.05	R422102431	
	NO/NO		24 V	0.55	0.38	0.92	250	0.049	R422102433	
	NC/NO		24 V	0.55	0.38	0.92	250	0.05	R422102435	

MO = Manual override
 Basic valve with pilot valve
 Nominal flow Q_n at 6 bar and $\Delta p = 1$ bar

Control pressure: see diagram for min., max. 8 bar

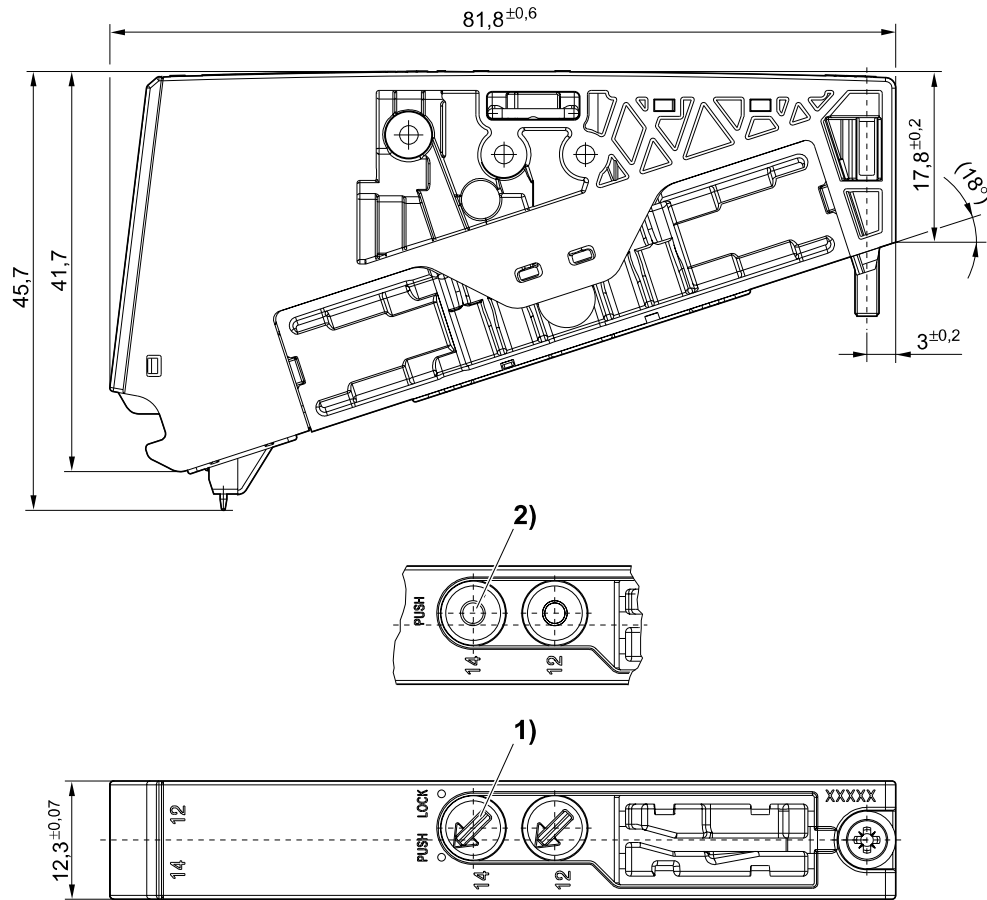


P_B = Working pressure
 P_e = external control pressure, min.

2x3/2-directional valve, Series AV03

- ▶ Qn = 250 - 300 l/min ▶ plate connection ▶ Manual override: with detent, without detent ▶ double solenoid
- ▶ Pilot: external

Dimensions



- 1) with detent
- 2) without detent

15842