

## Features

- Specially designed for reverse jet-type dust collector systems
- High flow Cv(s) to 140 for effective bag cleaning
- High cycle life
- Fast opening/closing

## Construction

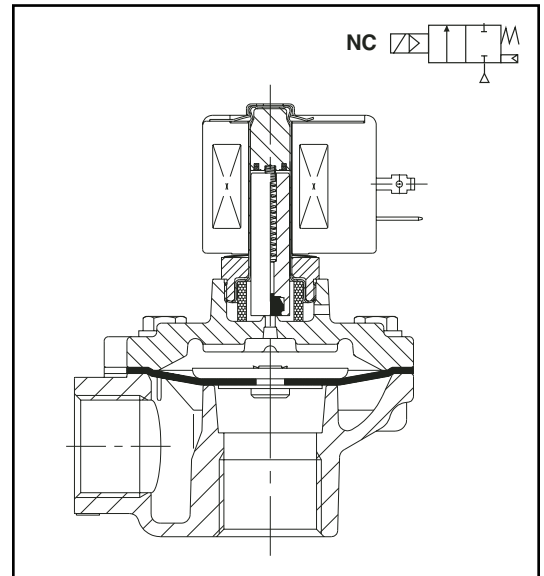
Valve Parts in Contact with Fluids	
Body	Aluminum
Seals	NBR
Diaphragm	NBR, HYT or CR as noted
Discs	NBR or PA, as noted



## Electrical

Standard Coil and Class of Insulation	Watt Rating and Power Consumption			Spare Coil Part Number	
	AC			General Purpose	Explosionproof
	Watts	VA Holding	VA Inrush	AC	AC
F	6.1	16	30	238210	238214
F	10.1	25	50	238610	238614
F	17.1	40	70	238610	238614

**Standard Voltages:** 24, 120, 240, 480 volts AC, 60 Hz (or 110, 220 volts AC, 50 Hz), Consult factory for DC voltage. Other voltages available when required.



## Solenoid Enclosures

**Standard:** Watertight, Types 1, 2, 3, 3S, 4, and 4X.

**Optional:** Explosionproof and Watertight, Types 3, 3S, 4, 4X, 6, 6P, 7, and 9. (To order, add prefix "EF" to catalog number.)

See *Optional Features Section* for other available options. Consult your local ASCO office for details on accessories.

## Nominal Temp. Ranges

**Ambient:** AC constructions: 0°F to 185°F (-18°C to 85°C); 150°F (66°C) for valves with HYT diaphragms. Consult local sales office for DC constructions.

**Fluids:** 0°F to 185°F (-18°C to 85°C), except as noted. For temperatures to 300°F (149°C), specify FPM, suffix "V" (except where noted).

Refer to *Engineering Section* for details.

SPECIAL SERVICE VALVES

**Specifications (English units)**

Pipe Size (in)	Orifice Size (in)	Cv Flow Factor	Min. Operating Pressure Differential (psi) ⑥	Max. Operating Pressure Differential (psi) ⑥	Integral Pilot		Remote Pilot Construction (Minimum Pilot Valve Orifice Size = 1/8")	Const. Ref.	Watt Rating/Class of Coil Insulation	Rebuild Kit AC Valves	Diaphragm Only 10 Pack "Zip" Kit
					Catalog Number	Catalog Number					
3/4	3/4	10.5	5	125	-	-	8353C033 ③	1	-	96875	238864
3/4 ①	3/4	10.5	5	125	-	-	8353C030 ③	1	-	96875	238864
3/4 ②	3/4	10.5	5	125	-	-	8353C004 ③	1	-	96875	238864
1	1 1/8	20	5	125	-	-	8353C035 ④	1	-	200262	238866
1	1 1/8	20	5	125	8353G041 ④	-	-	4	6.1/F	316563	238866
1	1 5/8	18	15	125	8353G006 ⑤⑥	-	-	3	17.1/F	300144	-
1 1/4	1 5/8	20	15	125	8353G005 ⑤⑥	-	-	3	17.1/F	300144	-
1 1/2	1 1/2	35	15	125	8353G001 ⑤⑥	-	-	3	17.1/F	300144	-
1 1/2	2	53	10	125	-	-	8353H038 ④	2	-	276886	238870
1 1/2	2	53	5	125	8353J039 ④	-	-	5	10.1/F	322108	238870
1 1/2	2	48	5	125	8353G061 ⑨	-	-	5	10.1/F	316297	-
1 1/2	2	48	10	125	-	-	8353A062 ⑩	2	-	276884	-
2	2	60	15	125	8353G002 ⑤⑥	-	-	3	17.1/F	300145	-
2	2	76	5	125	-	-	8353 048 ⑥⑦	2	-	256802	256797
2	2	76	5	125	8353G050 ⑥	-	-	5	10.1/F	316029	256797
2 1/2	3	82	15	125	8353G007 ⑤	-	-	6	10.1/F	176878	-
3	3	140	15	125	8353G008 ⑤	-	-	6	10.1/F	176878	-

① Supplied with internal slip fit connection on outlet.  
 ② Extended ends for Dresser connections.  
 ③ NBR diaphragm.  
 ④ HYT diaphragm max. fluid temp. 150°F.  
 For higher temperature, consult factory.  
 ⑤ CR diaphragm/PA disc.  
 ⑥ CR diaphragm.  
 ⑦ Minimum pilot orifice size 7/32".  
 ⑧ Consult factory for remote piloted construction.  
 ⑨ NBR diaphragm, PA disc, long-life construction. Maximum fluid temp. 185°F.  
 ⑩ Contact local sales office for DC pressure requirements.

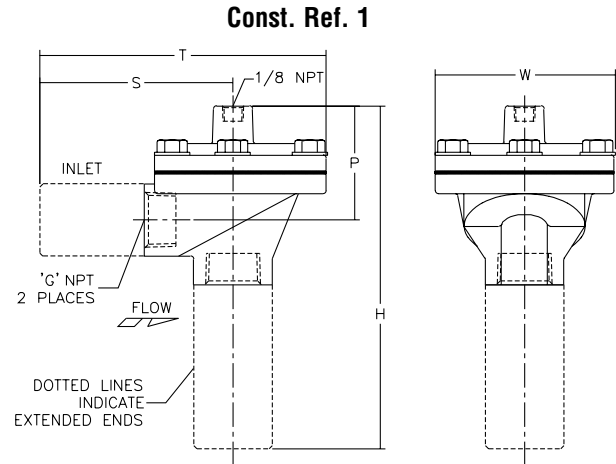
**Specifications (Metric units)**

Pipe Size (in)	Orifice Size (mm)	Kv Flow Factor (m3/h)	Min. Operating Pressure Differential (bar) ⑥	Max. Operating Pressure Differential (bar) ⑥	Integral Pilot		Remote Pilot Construction (Minimum Pilot Valve Orifice Size = 1/8")	Const. Ref.	Watt Rating/Class of Coil Insulation	Rebuild Kit AC Valves	Diaphragm Only 10 Pack "Zip" Kit
					Catalog Number	Catalog Number					
3/4	19	9.0	0.3	8.6	-	-	8353C033 ③	1	-	96875	238864
3/4 ①	19	9.0	0.3	8.6	-	-	8353C030 ③	1	-	96875	238864
3/4 ②	19	9.0	0.3	8.6	-	-	8353C004 ③	1	-	96875	238864
1	29	17.1	0.3	8.6	-	-	8353C035 ④	1	-	200262	238866
1	29	17.1	0.3	8.6	8353G041 ④	-	-	4	6.1/F	316563	238866
1	41	15.4	1.0	8.6	8353G006 ⑤⑥	-	-	3	17.1/F	300144	-
1 1/4	41	17.1	1.0	8.6	8353G005 ⑤⑥	-	-	3	17.1/F	300144	-
1 1/2	38	30.0	1.0	8.6	8353G001 ⑤⑥	-	-	3	17.1/F	300144	-
1 1/2	51	45.4	0.7	8.6	-	-	8353H038 ④	2	-	276886	238870
1 1/2	51	45.4	0.3	8.6	8353J039 ④	-	-	5	10.1/F	322108	238870
1 1/2	51	41.1	0.3	8.6	8353G061 ⑨	-	-	5	10.1/F	316297	-
1 1/2	51	41.1	0.7	8.6	-	-	8353A062 ⑩	2	-	276884	-
2	51	51.4	1.0	8.6	8353G002 ⑤⑥	-	-	3	17.1/F	300145	-
2	51	65.1	0.3	8.6	-	-	8353 048 ⑥⑦	2	-	256802	256797
2	51	65.1	0.3	8.6	8353G050 ⑥	-	-	5	10.1/F	316029	256797
2 1/2	76	70.3	1.0	8.6	8353G007 ⑤	-	-	6	10.1/F	176878	-
3	76	120.0	1.0	8.6	8353G008 ⑤	-	-	6	10.1/F	176878	-

**SPECIAL SERVICE VALVES**

## Dimensions inches (mm)

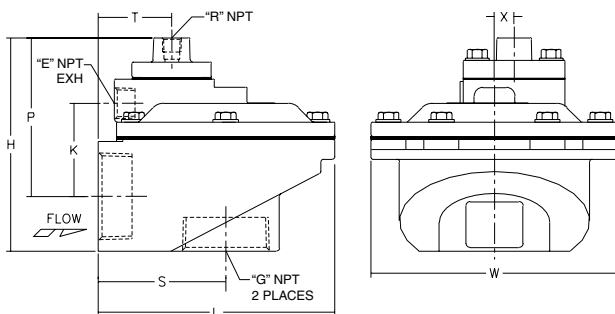
Cat. No.	"G"		H	L	P	Bonnet Bolts	T	W
8353C004	Extended End	in	7.94	3.69	2.16	5.00	5.16	3.44
		mm	201.6	93.7	54.8	127.0	131.0	87.3
8353C030	3/4 NPT (Inlet)	in	3.44	1.69	2.19	5.00	3.47	3.44
		mm	87.3	42.9	55.6	127.0	88.1	87.3
	3/4 Socket (Outlet)	in	3.44	1.69	2.19	5.00	3.47	3.44
		mm	87.3	42.9	55.6	127.0	88.1	87.3
8353C033	3/4 NPT	in	3.44	1.69	2.19	5.00	3.47	3.44
		mm	87.3	42.9	55.6	127.0	88.1	87.3
8353C035	1 NPT	in	2.53	2.03	1.69	4.00	3.50	2.94
		mm	64.3	51.6	42.9	101.6	88.9	74.6



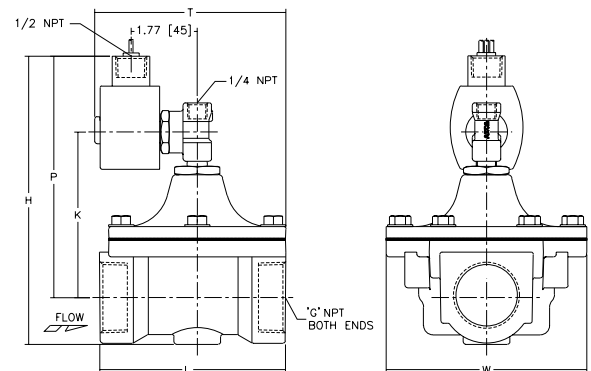
Cat. No.	"E" NPT	"G" NPT		H	L	P	"R" NPT	S	T	W	X
8353H038	3/8	1 1/2	in	4.63	5.16	3.44	1/8	2.78	1.61	5.38	0.44
			mm	117.5	131.0	87.3		70.6	40.9	136.5	11.1
8353A062	3/8	1 1/2	in	5.16	5.16	3.44	1/8	2.78	1.61	5.38	0.44
			mm	131.0	131.0	87.3		70.6	40.9	136.5	11.1
8353 048	3/4	2	in	6.47	6.63	4.69	1/4	3.75	2.56	6.50	-
			mm	164.3	168.3	119.1		95.3	65.1	165.1	-

Cat. No.	"G" NPT		H	L	P	S	T	W
8353G001	1 1/2	in	7.72	5.00	6.47	1.78	5.13	5.38
		mm	196.1	127.0	164.3	45.2	130.2	136.5
8353G002	2	in	8.34	6.09	6.84	1.78	5.56	6.34
		mm	211.9	154.8	173.8	45.2	141.3	161.1
8353G005	1 1/4	in	7.72	5.00	6.47	1.78	5.13	5.38
		mm	196.1	127.0	164.3	45.2	130.2	136.5
8353G006	1	in	7.72	5.00	6.41	1.78	5.13	5.38
		mm	196.1	127.0	162.7	45.2	130.2	136.5

**Const. Ref. 2**



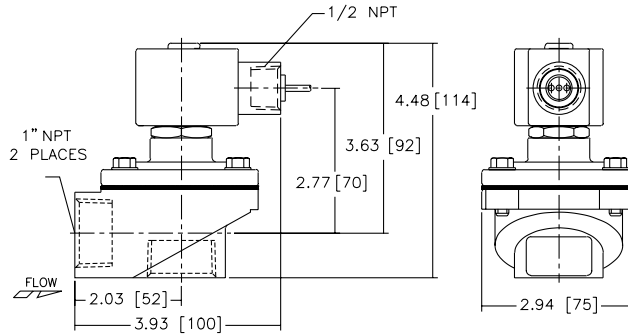
**Const. Ref. 3**



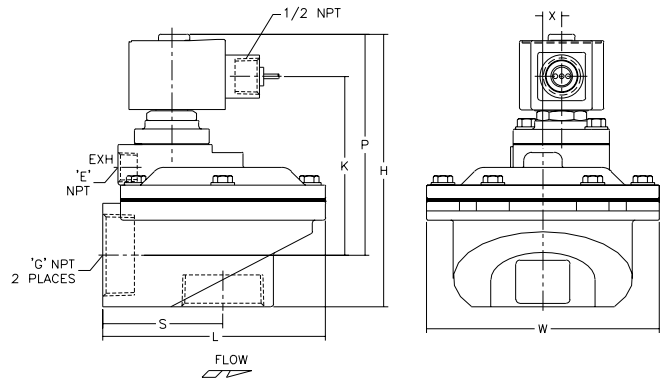
SPECIAL SERVICE VALVES

**Dimensions inches (mm)**

**Const. Ref. 4**

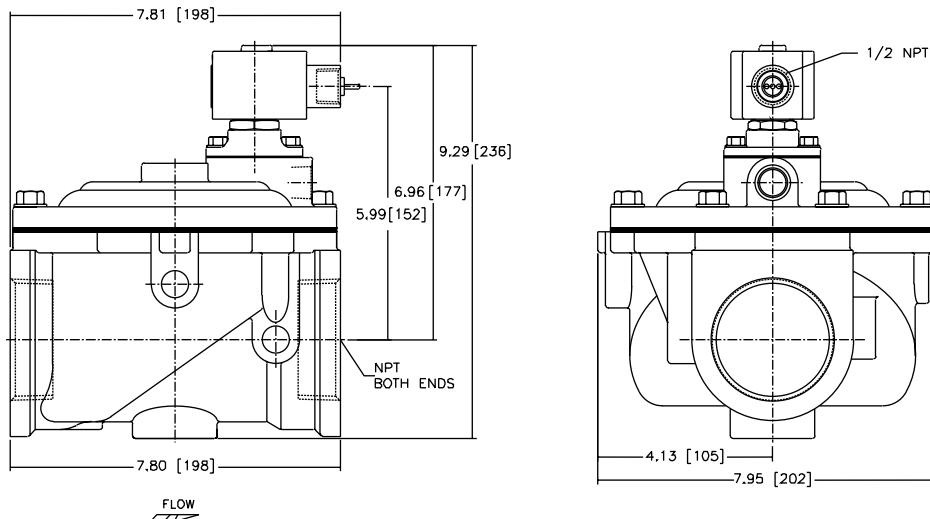


**Const. Ref. 5**



Cat. No.	"E" NPT	"G" NPT	H		L		P		S		T		W		X		
			in	mm	in	mm	in	mm	in	mm	in	mm	in	mm	in	mm	
8353J039	3/8	1 1/2	in	6.28	5.16	5.08	2.78	1.61	5.38	0.44							
			mm	159.5	131.0	129.0	70.6	40.9	136.5	11.1							
8353G061	3/8	1 1/2	in	6.28	5.16	5.08	2.78	1.61	5.38	0.44							
			mm	159.5	131.0	129.0	70.6	40.9	136.5	11.1							
8353G050	3/4	2	in	8.25	6.63	6.47	3.75	2.56	6.50	-							
			mm	209.6	168.3	164.3	95.3	65.1	165.1	-							

**Const. Ref. 6**



**SPECIAL SERVICE VALVES**