

Features

- Wide range of pressure ratings, sizes, and resilient materials provide long service life and low internal leakage
- High flow valves for liquid, corrosive, and air/inert gas service
- Lead-free versions available for Safe Drinking Water Act Compliance
- Industrial applications include:
 - Car wash
 - Laundry equipment
 - Air compressors
 - Industrial water control
 - Pumps

Construction

| Valve Parts in Contact with Fluids | | |
|------------------------------------|----------------------|----------------------|
| Body | Brass | 304 Stainless Steel* |
| Seals and Discs | NBR or PTFE | |
| Disc-Holder | PA | |
| Core Tube | 305 Stainless Steel | |
| Core and Plugnut | 430F Stainless Steel | |
| Springs | 302 Stainless Steel | |
| Shading Coil | Copper | Silver |

*Catalog Numbers 8210G127, 8210G129, 8210G132, 8210G133 have 316L Stainless Steel bodies.

Electrical

| Standard Coil and Class of Insulation | Watt Rating and Power Consumption | | | | Spare Coil Part Number | | | |
|---------------------------------------|-----------------------------------|-------|------------|-----------|------------------------|--------|----------------|--------|
| | DC Watts | AC | | | General Purpose | | Explosionproof | |
| | | Watts | VA Holding | VA Inrush | AC | DC | AC | DC |
| F | - | 6.1 | 16 | 40 | 238210 | - | 238214 | - |
| F | 11.6 | 10.1 | 25 | 70 | 238610 | 238710 | 238614 | 238714 |
| F | 16.8 | 16.1 | 35 | 180 | 272610 | 97617 | 272614 | 97617 |
| F | - | 17.1 | 40 | 93 | 238610 | - | 238614 | - |
| F | - | 20 | 43 | 240 | 99257 | - | 99257 | - |
| F | - | 20.1 | 48 | 240 | 272610 | - | 272614 | - |
| F | 30.8 | - | - | - | - | 501695 | - | 501696 |
| H | 11.6 | - | - | - | - | 238910 | - | 238914 |
| H | 40.6 | - | - | - | - | 238910 | - | 238914 |

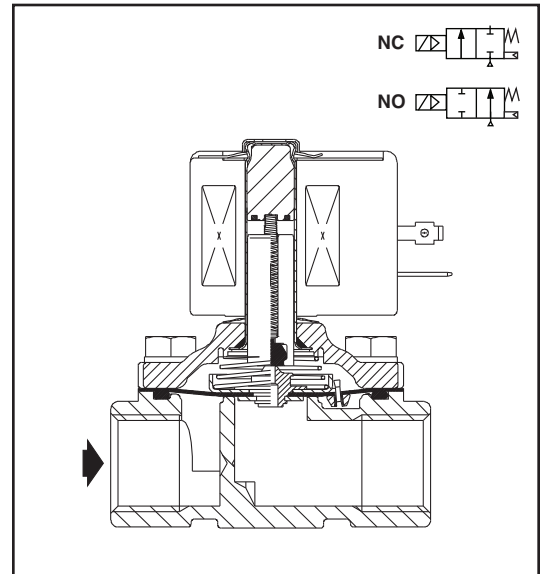
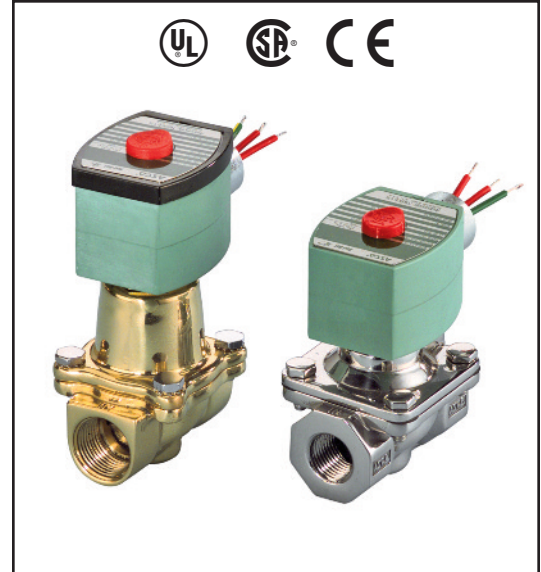
Standard Voltages: 24, 120, 240, 480 volts AC, 60 Hz (or 110, 220 volts AC, 50 Hz). 6, 12, 24, 120, 240 volts DC. Must be specified when ordering.
Other voltages available when required.

Solenoid Enclosures

Standard: RedHat II - Watertight, Types 1, 2, 3, 3S, 4, and 4X; RedHat - Type 1.

Optional: RedHat II - Explosionproof and Watertight, Types 3, 3S, 4, 4X, 6, 6P, 7, and 9; Red-Hat - Explosionproof and Watertight, Types 3, 4, 4X, 7, and 9.

(To order, add prefix "EF" to catalog number, except Catalog Numbers 8210B057, 8210B058, and 8210B059, which are not available with Explosionproof enclosures.)
See *Optional Features Section* for other available options.



Nominal Ambient Temp. Ranges

RedHat II/RedHat AC: 32°F to 125°F (0°C to 52°C)

RedHat II DC: 32°F to 104°F (0°C to 40°C)

RedHat DC: 32°F to 77°F (0°C to 25°C)
(104°F/40°C occasionally)

8210G227 AC: 32°F to 130°F (0°C to 54°C)

DC: 32°F to 90°F (0°C to 32°C)

Refer to *Engineering Section* for details.

Approvals

UL listed as indicated. CSA certified.
RedHat II meets applicable CE directives.

Refer to *Engineering Section* for details.

ATEX/IECEx certified with prefix "EV" as listed. Refer to *Optional Features Electrical Section* for details.

Specifications (English units)

| Pipe Size (in) | Orifice Size (in) | Cv Flow Factor | Operating Pressure Differential (psi) | | | | | | | Max. Fluid Temp. °F | | Brass Body | | | Stainless Steel Body | | | Watt Rating/Class of Coil Insulation ⑦ | |
|--|-------------------|----------------|---------------------------------------|---------------|-------|---------------------|---------------|-------|---------------------|---------------------|-----|----------------|---------------|--------------|----------------------|---------------|--------------|--|--------|
| | | | Min. | Max. AC | | | Max. DC | | | AC | DC | Catalog Number | Const. Ref. ④ | UL ⑤ Listing | Catalog Number | Const. Ref. ④ | UL ⑤ Listing | AC | DC |
| | | | | Air-Inert Gas | Water | Light Oil @ 300 SSU | Air-Inert Gas | Water | Light Oil @ 300 SSU | | | | | | | | | | |
| NORMALLY CLOSED (Closed when de-energized), NBR or PTFE ② Seating | | | | | | | | | | | | | | | | | | | |
| 3/8 | 3/8 | 1.5 | ① | 150 | 125 | - | 40 | 40 | - | 180 | 150 | 8210G073 ③ | 1P | ● | 8210G036 ③ | 1P | ● | 6.1/F | 11.6/F |
| 3/8 | 5/8 | 3 | 0 | 150 | 150 | - | 40 | 40 | - | 180 | 150 | 8210G093 | 5D | ○ | - | - | - | 10.1/F | 11.6/F |
| 3/8 | 5/8 | 3 | 5 | 200 | 150 | 135 | 125 | 100 | 100 | 180 | 150 | 8210G001 ▼ | 6D | ○ | - | - | - | 6.1/F | 11.6/F |
| 3/8 | 5/8 | 3 | 5 | 300 | 300 | 300 | - | - | - | 175 | - | 8210G006 ✓ | 5D | ○ | - | - | - | 17.1/F | - |
| 1/2 | 7/16 | 2.2 | ① | 150 | 125 | - | 40 | 40 | - | 180 | 150 | 8210G015 ③ | 2P | ● | 8210G037 ③ | 2P | ● | 6.1/F | 11.6/F |
| 1/2 | 5/8 | 4 | 0 | 150 | 150 | - | 40 | 40 | - | 180 | 150 | 8210G094 ✓/▲ | 5D | ○ | - | - | - | 10.1/F | 11.6/F |
| 1/2 | 5/8 | 4 | 0 | 150 | 150 | 125 | 40 | 40 | - | 175 | 150 | - | - | - | 8210G087 ✓ | 7D | ● | 17.1/F | 11.6/F |
| 1/2 | 5/8 | 4 | 5 | 200 | 150 | 135 | 125 | 100 | 100 | 180 | 150 | 8210G002 ▼/▲ | 6D | ○ | - | - | - | 6.1/F | 11.6/F |
| 1/2 | 5/8 | 4 | 5 | 300 | 300 | 300 | - | - | - | 175 | - | 8210G007 | 5D | ○ | - | - | - | 17.1/F | - |
| 1/2 | 3/4 | 4 | 5 | - | 300 | - | - | 300 | - | 130 | 90 | 8210G227 | 5D | ○ † | - | - | - | 17.1/F | 40.6/H |
| 3/4 | 5/8 | 4.5 | 0 | 150 | 150 | 125 | 40 | 40 | - | 175 | 150 | - | - | - | 8210G088 ✓ | 7D | ● | 17.1/F | 11.6/F |
| 3/4 | 3/4 | 5 | 5 | 125 | 125 | 125 | 100 | 90 | 75 | 180 | 150 | 8210G009 ▼/▲ | 9D | ○ | - | - | - | 6.1/F | 11.6/F |
| 3/4 | 3/4 | 5 | 0 | 150 | 150 | - | 40 | 40 | - | 180 | 150 | 8210G095 ✓/▲ | 8D | ○ | - | - | - | 10.1/F | 11.6/F |
| 3/4 | 3/4 | 6.5 | 5 | 250 | 150 | 100 | 125 | 125 | 125 | 180 | 150 | 8210G003 ▼ | 11D | ○ | - | - | - | 6.1/F | 11.6/F |
| 3/4 | 3/4 | 6 | 0 | 350 | 300 | 200 | 200 | 200 | 200 | 200 | 180 | 8210G026 ② † ◆ | 40P/10D | ● | - | - | - | 16.1F | 30.8/F |
| 1 | 1 | 13 | 0 | 150 | 125 | 125 | 135 | 120 | 120 | 180 | 180 | 8210G054 † ◆ | 41D/31D | ● | 8210G089 † ◆ | 45D/15D | ● | 16.1/F | 30.8/F |
| 1 | 1 | 13 | 5 | 150 | 150 | 100 | 125 | 125 | 125 | 180 | 150 | 8210G004 ▼/▲ | 12D | ○ | - | - | - | 6.1/F | 11.6/F |
| 1 | 1 | 13.5 | 0 | 300 | 225 | 115 | - | - | - | 200 | - | 8210G027 † | 42P | ● | - | - | - | 20.1/F | - |
| 1 | 1 | 13.5 | 10 | 300 | 300 | 300 | - | - | - | 175 | - | 8210G078 ② | 13P | - | - | - | - | 17.1/F | - |
| 1 1/4 | 1 1/8 | 15 | 0 | 150 | 125 | 125 | 135 | 120 | 120 | 180 | 180 | 8210G055 † ◆ | 43D/32D | ● | - | - | - | 16.1/F | 30.8/F |
| 1 1/4 | 1 1/8 | 15 | 5 | 150 | 150 | 100 | 125 | 125 | 125 | 180 | 150 | 8210G008 ▼ | 16D | ○ | - | - | - | 6.1/F | 11.6/F |
| 1 1/2 | 1 1/4 | 22.5 | 0 | 150 | 125 | 125 | 135 | 120 | 120 | 180 | 180 | 8210G056 † ◆ | 44D/33D | ● | - | - | - | 16.1/F | 30.8/F |
| 1 1/2 | 1 1/4 | 22.5 | 5 | 150 | 150 | 100 | 125 | 125 | 125 | 180 | 150 | 8210G022 ▼ | 18D | ○ | 8210G127 | - | - | 6.1/F | 11.6/H |
| 2 | 1 3/4 | 43 | 5 | 150 | 125 | 90 | 50 | 50 | 50 | 180 | 150 | 8210G100 | 20P | ● | 8210G129 | - | - | 6.1/F | 11.6/H |
| 2 1/2 | 1 3/4 | 45 | 5 | 150 | 125 | 90 | 50 | 50 | 50 | 180 | 150 | 8210G101 | 21P | ● | - | - | - | 6.1/F | 11.6/F |
| NORMALLY OPEN (Open when de-energized), NBR Seating (PA Disc-Holder, except as noted) | | | | | | | | | | | | | | | | | | | |
| 3/8 | 5/8 | 3 | 0 | 150 | 150 | 125 | 125 | 125 | 80 | 180 | 150 | 8210G033 | 23D | ● | - | - | - | 10.1/F | 11.6/F |
| 3/8 | 5/8 | 3 | 5 | 250 | 200 | 200 | 250 | 200 | 200 | 180 | 180 | 8210G011 ⑥ ⑧ | 39D | ● | - | - | - | 10.1/F | 11.6/F |
| 1/2 | 5/8 | 4 | 0 | 150 | 150 | 125 | 125 | 125 | 80 | 180 | 150 | 8210G034 ✓ | 23D | ● | - | - | - | 10.1/F | 11.6/F |
| 1/2 | 5/8 | 3 | 0 | 150 | 150 | 100 | 125 | 125 | 80 | 180 | 150 | - | - | - | 8210G030 ✓ | 37D | ● | 10.1/F | 11.6/F |
| 1/2 | 5/8 | 4 | 5 | 250 | 200 | 200 | 250 | 200 | 200 | 180 | 180 | 8210G012 ⑥ ⑧ | 39D | ● | - | - | - | 10.1/F | 11.6/F |
| 3/4 | 3/4 | 5.5 | 0 | 150 | 150 | 125 | 125 | 125 | 80 | 180 | 150 | 8210G035 ✓ | 25D | ● | - | - | - | 10.1/F | 11.6/F |
| 3/4 | 5/8 | 3 | 0 | 150 | 150 | 100 | 125 | 125 | 80 | 180 | 150 | - | - | - | 8210G038 ✓ | 38D | ● | 10.1/F | 11.6/F |
| 3/4 | 3/4 | 6.5 | 5 | - | - | - | 250 | 200 | 200 | - | 180 | 8210C013 | 24D | ● | - | - | - | - | 16.8/F |
| 3/4 | 3/4 | 6.5 | 5 | 250 | 200 | 200 | - | - | - | 180 | - | 8210G013 | 46D | ● | - | - | - | 16.1/F | - |
| 1 | 1 | 13 | 0 | 125 | 125 | 125 | - | - | - | 180 | - | 8210B057 ⑥ ⑧ | 34D | ● | - | - | - | 20/F | - |
| 1 | 1 | 13 | 5 | - | - | - | 125 | 125 | 125 | - | 180 | 8210D014 | 26D | ● | - | - | - | - | 16.8/F |
| 1 | 1 | 13 | 5 | 150 | 150 | 125 | - | - | - | 180 | - | 8210G014 | 47D | ● | - | - | - | 16.1/F | - |
| 1 1/4 | 1 1/8 | 15 | 0 | 125 | 125 | 125 | - | - | - | 180 | - | 8210B058 ⑥ ⑧ | 35D | ● | - | - | - | 20/F | - |
| 1 1/4 | 1 1/8 | 15 | 5 | - | - | - | 125 | 125 | 125 | - | 180 | 8210D018 | 28D | ● | - | - | - | - | 16.8/F |
| 1 1/4 | 1 1/8 | 15 | 5 | 150 | 150 | 125 | - | - | - | 180 | - | 8210G018 | 48D | ● | - | - | - | 16.1/F | - |
| 1 1/2 | 1 1/4 | 22.5 | 0 | 125 | 125 | 125 | - | - | - | 180 | - | 8210B059 ⑥ ⑧ | 36D | ● | - | - | - | 20/F | - |
| 1 1/2 | 1 1/4 | 22.5 | 5 | - | - | - | 125 | 125 | 125 | - | 180 | 8210D032 | 29D | ● | - | - | - | - | 16.8/F |
| 1 1/2 | 1 1/4 | 22.5 | 5 | 150 | 150 | 125 | - | - | - | 180 | - | 8210G032 | 49D | ● | 8210G132 | - | - | 16.1/F | - |
| 2 | 1 3/4 | 43 | 5 | - | - | - | 125 | 125 | 125 | - | 150 | 8210 103 | 30P | ● | - | - | - | - | 16.8/F |
| 2 | 1 3/4 | 43 | 5 | 125 | 125 | 125 | - | - | - | 180 | - | 8210G103 | 50P | ● | 8210G133 | - | - | 16.1/F | - |
| 2 1/2 | 1 3/4 | 45 | 5 | - | - | - | 125 | 125 | 125 | - | 150 | 8210 104 | 27P | ● | - | - | - | - | 16.8/F |
| 2 1/2 | 1 3/4 | 45 | 5 | 125 | 125 | 125 | - | - | - | 180 | - | 8210G104 | 51P | ● | - | - | - | 16.1/F | - |

① 5 psi on Air; 1 psi on Water.

② Valve provided with PTFE main disc.

③ Valve includes Ultem (G.E. trademark) piston.

④ Letter "D" = diaphragm construction; "P" = piston construction.

⑤ ○ Safety Shutoff Valve; ● General Purpose Valve.

Refer to Engineering Section (Approvals) for details.

⑥ Valves not available with Explosionproof enclosures.

⑦ On 50 hertz service, the watt rating for the 6.1/F solenoid is 8.1 watts.

⑧ AC construction also has PA seating.

⑨ No disc-holder.

⑩ Stainless steel disc-holder.

† UL listed for fire protection systems per UL429A 120/60,

110/5024VDC, no prefix and voltage options offered.

‡ DC constructions must have solenoid mounted vertical and upright.

◆ ATEX/IECEx certified with prefix "EV".

▼ ATEX/IECEx certified for DC only with prefix "EV".

◆ Not available in 6 Volt DC. EF and HB prefix only.

◆ Valve available with lead-free brass body and bonnet using suffix "LF". The term "Lead-Free" for brass materials is defined by SDWA 1417 as having a maximum weighted average lead content of 0.25% on the wetted surface area.

Specifications (Metric units)

| Pipe Size (in) | Orifice Size (mm) | Kv Flow Factor (m³/hr) | Operating Pressure Differential (bar) | | | | | | | Max. Fluid Temp. °C | | Brass Body | | | Stainless Steel Body | | | Watt Rating/ Class of Coil Insulation ⑦ | | |
|--|-------------------|------------------------|---------------------------------------|---------------|-------|---------------------|---------------|-------|---------------------|---------------------|----|----------------|---------------|--------------|----------------------|---------------|--------------|---|--------|--------|
| | | | Min. | Max. AC | | | Max. DC | | | AC | DC | Catalog Number | Const. Ref. ④ | UL ⑤ Listing | Catalog Number | Const. Ref. ④ | UL ⑤ Listing | AC | DC | |
| | | | | Air-Inert Gas | Water | Light Oil @ 300 SSU | Air-Inert Gas | Water | Light Oil @ 300 SSU | | | | | | | | | | | |
| NORMALLY CLOSED (Closed when de-energized), NBR or PTFE ② Seating | | | | | | | | | | | | | | | | | | | | |
| 3/8 | 10 | 1.3 | ① | 10 | 9 | - | 3 | 3 | - | 82 | 65 | 8210G073 ③ | 1P | ● | 8210G036 ③ | 1P | ● | 6.1/F | 11.6/F | |
| 3/8 | 16 | 2.6 | 0 | 10 | 10 | - | 3 | 3 | - | 82 | 65 | 8210G093 | 5D | ○ | - | - | - | 10.1/F | 11.6/F | |
| 3/8 | 16 | 2.6 | 0.3 | 14 | 10 | 9 | 9 | 7 | 7 | 82 | 65 | 8210G001 ▼ | 6D | ○ | - | - | - | 6.1/F | 11.6/F | |
| 3/8 | 16 | 2.6 | 0.3 | 21 | 21 | 21 | - | - | - | 79 | - | 8210G006 ✓ | 5D | ○ | - | - | - | 17.1/F | - | |
| 1/2 | 11 | 1.9 | ① | 10 | 9 | - | 3 | 3 | - | 82 | 65 | 8210G015 ③ | 2P | ● | 8210G037 ③ | 2P | ● | 6.1/F | 11.6/F | |
| 1/2 | 16 | 3.4 | 0 | 10 | 10 | - | 3 | 3 | - | 82 | 65 | 8210G094 ✓/● | 5D | ○ | - | - | - | 10.1/F | 11.6/F | |
| 1/2 | 16 | 3.4 | 0 | 10 | 10 | 9 | 3 | 3 | - | 79 | 65 | - | - | - | 8210G087 ✓ | 7D | ● | 17.1/F | 11.6/F | |
| 1/2 | 16 | 3.4 | 0.3 | 14 | 10 | 9 | 9 | 7 | 7 | 82 | 65 | 8210G002 ▼/● | 6D | ○ | - | - | - | 6.1/F | 11.6/F | |
| 1/2 | 16 | 3.4 | 0.3 | 21 | 21 | 21 | - | - | - | 79 | - | 8210G007 | 5D | ○ | - | - | - | 17.1/F | - | |
| 1/2 | 19 | 3.4 | 0.3 | - | 21 | - | - | 21 | - | 54 | 32 | 8210G227 | 5D | ○ † | - | - | - | 17.1/F | 40.6/H | |
| 3/4 | 16 | 3.9 | 0 | 10 | 10 | 9 | 3 | 3 | - | 79 | 65 | - | - | - | 8210G088 ✓ | 7D | ● | 17.1/F | 11.6/F | |
| 3/4 | 19 | 4.3 | 0.3 | 9 | 9 | 9 | 7 | 6 | 5 | 82 | 65 | 8210G009 ▼/● | 9D | ○ | - | - | - | 6.1/F | 11.6/F | |
| 3/4 | 19 | 4.3 | 0 | 10 | 10 | - | 3 | 3 | - | 82 | 65 | 8210G095 ✓/● | 8D | ○ | - | - | - | 10.1/F | 11.6/F | |
| 3/4 | 19 | 5.6 | 0.3 | 17 | 10 | 7 | 9 | 9 | 9 | 82 | 65 | 8210G003 ▼ | 11D | ○ | - | - | - | 6.1/F | 11.6/F | |
| 3/4 | 19 | 5.1 | 0 | 24 | 21 | 14 | 14 | 14 | 14 | 93 | 82 | 8210G026 ② † ◆ | 40P/10D | ● | - | - | - | 16.1/F | 30.8/F | |
| 1 | 25 | 11 | 0 | 10 | 9 | 9 | 9 | 8 | 8 | 82 | 82 | 8210G054 † ◆ | 41D/31D | ● | 8210G089 † ◆ | 45D/15D | ● | 16.1/F | 30.8/F | |
| 1 | 25 | 11 | 0.3 | 10 | 10 | 7 | 9 | 9 | 9 | 82 | 65 | 8210G004 ▼/● | 12D | ○ | - | - | - | 6.1/F | 11.6/F | |
| 1 | 25 | 11.5 | 0 | 21 | 16 | 8 | - | - | - | 93 | - | 8210G027 † | 42P | ● | - | - | - | 20.1/F | - | |
| 1 | 25 | 11.5 | 0.7 | 21 | 21 | 21 | - | - | - | 79 | - | 8210G078 ② | 13P | ○ | - | - | - | 17.1/F | - | |
| 1 1/4 | 29 | 13 | 0 | 10 | 9 | 9 | 9 | 8 | 8 | 82 | 82 | 8210G055 † ◆ | 43D/32D | ● | - | - | - | 16.1/F | 30.8/F | |
| 1 1/4 | 29 | 13 | 0.3 | 10 | 10 | 7 | 9 | 9 | 9 | 82 | 65 | 8210G008 ▼ | 16D | ○ | - | - | - | 6.1/F | 11.6/F | |
| 1 1/2 | 32 | 19.5 | 0 | 10 | 9 | 9 | 9 | 8 | 8 | 82 | 82 | 8210G056 † ◆ | 44D/33D | ● | - | - | - | 16.1/F | 30.8/F | |
| 1 1/2 | 32 | 19.5 | 0.3 | 10 | 10 | 7 | 9 | 9 | 9 | 82 | 65 | 8210G022 ▼ | 18D | ○ | 8210G127 | - | - | 6.1/F | 11.6/H | |
| 2 | 44 | 37 | 0.3 | 10 | 9 | 6 | 3 | 3 | 3 | 82 | 65 | 8210G100 | 20P | ● | 8210G129 | - | - | 6.1/F | 11.6/H | |
| 2 1/2 | 44 | 39 | 0.3 | 10 | 9 | 6 | 3 | 3 | 3 | 82 | 65 | 8210G101 | 21P | ● | - | - | - | 6.1/F | 11.6/F | |
| NORMALLY OPEN (Open when de-energized), NBR Seating (PA Disc-Holder, except as noted) | | | | | | | | | | | | | | | | | | | | |
| 3/8 | 16 | 2.6 | 0.0 | 10 | 10 | 9 | 9 | 9 | 6 | 82 | 65 | 8210G033 | 23D | ● | - | - | - | 10.1/F | 11.6/F | |
| 3/8 | 16 | 2.6 | 0.3 | 17 | 14 | 14 | 17 | 14 | 14 | 82 | 82 | 8210G011 ① ② | 39D | ● | - | - | - | 10.1/F | 11.6/F | |
| 1/2 | 16 | 3.4 | 0 | 10 | 10 | 9 | 9 | 9 | 6 | 82 | 65 | 8210G034 ✓ | 23D | ● | - | - | - | 10.1/F | 11.6/F | |
| 1/2 | 16 | 2.6 | 0 | 10 | 10 | 7 | 9 | 9 | 6 | 82 | 65 | - | - | - | 8210G030 ✓ | 37D | ● | 10.1/F | 11.6/F | |
| 1/2 | 16 | 3.4 | 0.3 | 17 | 14 | 14 | 17 | 14 | 14 | 82 | 82 | 8210G012 ① ② | 39D | ● | - | - | - | 10.1/F | 11.6/F | |
| 3/4 | 19 | 4.7 | 0 | 10 | 10 | 9 | 9 | 9 | 6 | 82 | 65 | 8210G035 ✓ | 25D | ● | - | - | - | 10.1/F | 11.6/F | |
| 3/4 | 16 | 2.6 | 0 | 10 | 10 | 7 | 9 | 9 | 6 | 82 | 65 | - | - | - | 8210G038 ✓ | 38D | ● | 10.1/F | 11.6/F | |
| 3/4 | 19 | 5.6 | 0.3 | - | - | - | 17 | 14 | 14 | - | 82 | - | 8210C013 | 24D | ● | - | - | - | - | 16.8/F |
| 3/4 | 19 | 5.6 | 0.3 | 17 | 14 | 14 | - | - | - | 82 | - | 8210G013 | 46D | ● | - | - | - | 16.1/F | - | |
| 1 | 25 | 11 | 0 | 9 | 9 | 9 | - | - | - | 82 | - | 8210B057 ② ③ | 34D | ● | - | - | - | 20/F | - | |
| 1 | 25 | 11 | 0.3 | - | - | - | 9 | 9 | 9 | - | 82 | - | 8210D014 | 26D | ● | - | - | - | 16.8/F | - |
| 1 | 25 | 11 | 0.3 | 10 | 10 | 9 | - | - | - | 82 | - | 8210G014 | 47D | ● | - | - | - | 16.1/F | - | |
| 1 1/4 | 29 | 13 | 0 | 9 | 9 | 9 | - | - | - | 82 | - | 8210B058 ② ③ | 35D | ● | - | - | - | 20/F | - | |
| 1 1/4 | 29 | 13 | 0.3 | - | - | - | 9 | 9 | 9 | - | 82 | - | 8210D018 | 28D | ● | - | - | - | 16.8/F | - |
| 1 1/4 | 29 | 13 | 0.3 | 10 | 10 | 9 | - | - | - | 82 | - | 8210G018 | 48D | ● | - | - | - | 16.1/F | - | |
| 1 1/2 | 32 | 19.5 | 0 | 9 | 9 | 9 | - | - | - | 82 | - | 8210B059 ② ③ | 36D | ● | - | - | - | 20/F | - | |
| 1 1/2 | 32 | 19.5 | 0.3 | - | - | - | 9 | 9 | 9 | - | 82 | - | 8210D032 | 29D | ● | - | - | - | - | 16.8/F |
| 1 1/2 | 32 | 19.5 | 0.3 | 10 | 10 | 9 | - | - | - | 82 | - | 8210G032 | 49D | ● | 8210G132 | - | - | 16.1/F | - | |
| 2 | 44 | 37 | 0.3 | - | - | - | 9 | 9 | 9 | - | 65 | 8210 103 | 30P | ● | - | - | - | 16.8/F | - | |
| 2 | 44 | 37 | 0.3 | 9 | 9 | 9 | - | - | - | 82 | - | 8210G103 | 50P | ● | 8210G133 | - | - | 16.1/F | - | |
| 2 1/2 | 44 | 39 | 0.3 | - | - | - | 9 | 9 | 9 | - | 65 | 8210 104 | 27P | ● | - | - | - | - | 16.8/F | |
| 2 1/2 | 44 | 39 | 0.3 | 9 | 9 | 9 | - | - | - | 82 | - | 8210G104 | 51P | ● | - | - | - | 16.1/F | - | |

① 0.3 bar on Air; 0.0 bar on Water.
 ② Valve provided with PTFE main disc.
 ③ Valve includes Ultem (G.E. trademark) piston.
 ④ Letter "D" = diaphragm construction; "P" = piston construction.
 ⑤ ○ Safety Shutoff Valve; ● General Purpose Valve.
 Refer to Engineering Section (Approvals) for details.
 ⑥ Valves not available with Explosionproof enclosures.
 ⑦ On 50 hertz service, the watt rating for the 6.1/F solenoid is 8.1 watts.

⑧ AC construction also has PA seating.
 ⑨ No disc-holder.
 ⑩ Stainless steel disc-holder.
 † UL listed for fire protection systems per UL429A 120/60, 110/5024VDC, no prefix and voltage options offered.
 ‡ DC constructions must have solenoid mounted vertical and upright.
 ✓ ATEX/IECEx certified with prefix "EV".
 ▼ ATEX/IECEx certified for DC only with prefix "EV".

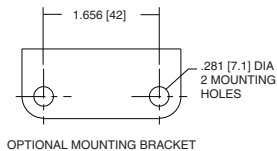
◆ Not available in 6 Volt DC. EF and HB prefix only.
 ● Valve available with lead-free brass body and bonnet using suffix "LF". The term "Lead-Free" for brass materials is defined by SDWA 1417 as having a maximum weighted average lead content of 0.25% on the wetted surface area.

Dimensions: inches (mm)

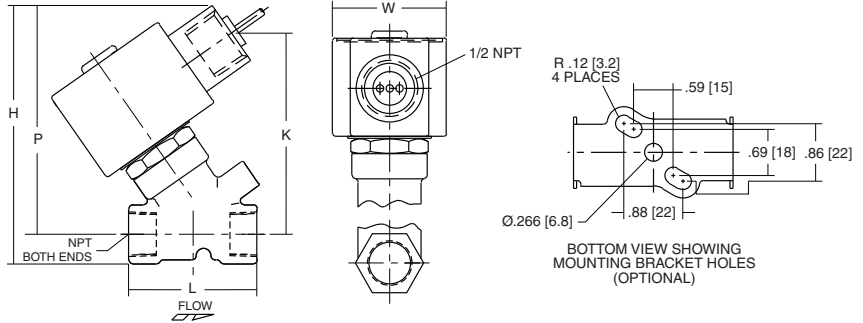
| Const. Ref. | | H | K | L | P | W |
|-------------|----|------|------|------|------|------|
| 1* | in | 3.85 | 3.00 | 1.91 | 3.41 | 1.69 |
| | mm | 98 | 76 | 49 | 87 | 43 |
| 2* | in | 4.17 | 3.25 | 2.28 | 3.63 | 1.69 |
| | mm | 106 | 83 | 58 | 92 | 43 |
| 5 | in | 3.84 | 2.31 | 2.75 | 3.28 | 2.28 |
| | mm | 98 | 59 | 70 | 83 | 58 |
| 6* | in | 3.38 | 1.94 | 2.75 | 2.80 | 2.28 |
| | mm | 86 | 49 | 70 | 71 | 58 |
| 7 | in | 4.19 | 2.50 | 2.81 | 3.47 | 2.39 |
| | mm | 106 | 64 | 71 | 88 | 61 |
| 8 | in | 4.13 | 2.47 | 2.81 | 3.44 | 2.29 |
| | mm | 105 | 63 | 71 | 87 | 58 |
| 9* | in | 3.66 | 2.10 | 2.81 | 2.96 | 2.28 |
| | mm | 93 | 53 | 71 | 75 | 58 |
| 10* | in | 5.20 | 3.40 | 2.80 | 4.50 | 2.50 |
| | mm | 131 | 86 | 71 | 114 | 62 |
| 11* | in | 4.16 | 2.66 | 3.84 | 3.52 | 2.75 |
| | mm | 106 | 68 | 98 | 89 | 70 |
| 12 | in | 5.64 | 3.15 | 3.75 | 4.01 | 3.36 |
| | mm | 143 | 80 | 95 | 102 | 85 |
| 13 | in | 4.44 | 3.22 | 3.75 | 4.19 | 5.81 |
| | mm | 113 | 82 | 95 | 106 | 147 |
| 15* | in | 5.20 | 3.30 | 3.80 | 4.40 | 3.80 |
| | mm | 133 | 83 | 98 | 111 | 98 |
| 16 | in | 5.64 | 3.15 | 3.66 | 4.01 | 3.56 |
| | mm | 143 | 80 | 93 | 102 | 90 |
| 18* | in | 6.11 | 3.30 | 4.38 | 4.16 | 3.92 |
| | mm | 155 | 84 | 111 | 106 | 100 |
| 20* | in | 7.33 | 3.71 | 5.06 | 4.57 | 4.87 |
| | mm | 186 | 94 | 129 | 116 | 124 |
| 21* | in | 7.33 | 3.71 | 5.50 | 4.57 | 4.87 |
| | mm | 186 | 94 | 140 | 116 | 124 |
| 23 | in | 4.35 | 2.65 | 2.75 | 3.79 | 2.28 |
| | mm | 110 | 67 | 70 | 96 | 58 |
| 24 | in | 5.06 | X | 3.78 | 4.44 | 2.75 |
| | mm | 129 | X | 96 | 113 | 70 |
| 25 | in | 4.64 | 2.81 | 2.81 | 3.94 | 2.28 |
| | mm | 118 | 71 | 71 | 100 | 58 |
| 26 | in | 6.53 | X | 3.75 | 4.91 | 3.19 |
| | mm | 166 | X | 95 | 125 | 81 |
| 27 | in | 8.22 | X | 5.50 | 5.47 | 4.87 |
| | mm | 209 | X | 140 | 139 | 124 |
| 28 | in | 6.53 | X | 3.66 | 4.91 | 3.19 |
| | mm | 166 | X | 93 | 125 | 81 |
| 29 | in | 7.03 | X | 4.38 | 5.06 | 4.40 |
| | mm | 179 | X | 111 | 129 | 112 |

* DC dimensions slightly larger.

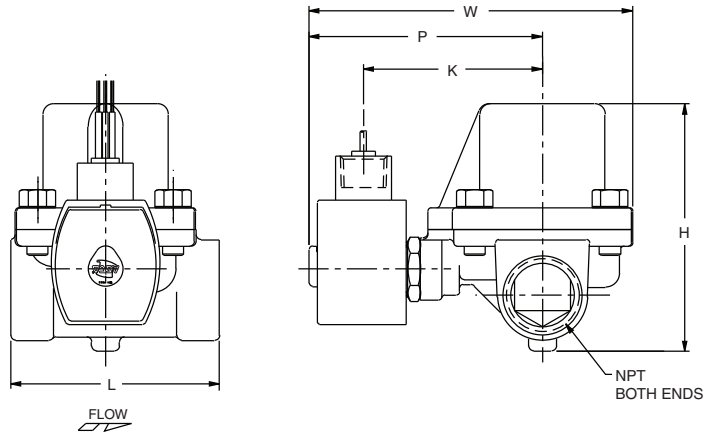
IMPORTANT: Valves may be mounted in any position, except as noted in specifications table.



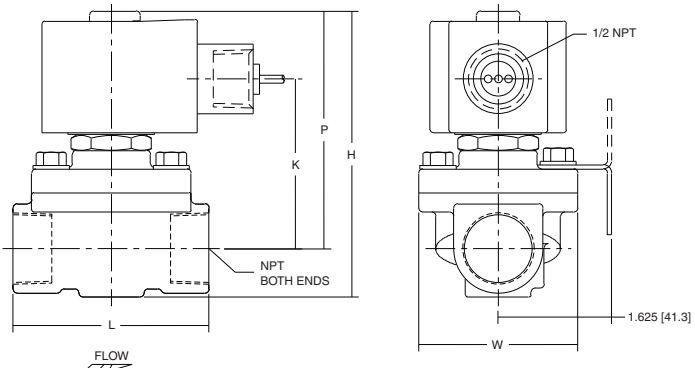
Const. Ref. 1, 2



Const. Ref. 13



Const. Ref. 5-9, 11, 23, 25, 37,38, 40-46

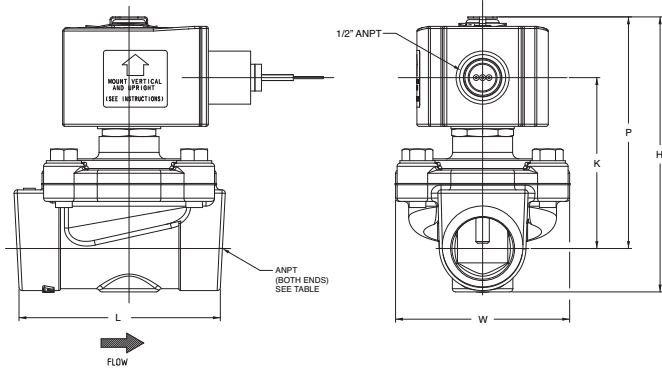


Dimensions: inches (mm)

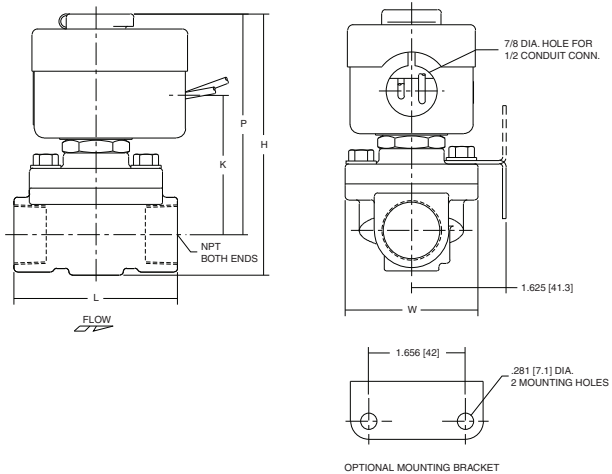
| Const. Ref. | | H | K | L | P | W |
|-------------|----|------|------|------|------|------|
| 30 | in | 8.22 | X | 5.06 | 5.47 | 4.87 |
| | mm | 209 | X | 129 | 139 | 124 |
| 31 | in | 5.13 | 3.19 | 3.76 | 4.32 | 3.27 |
| | mm | 130 | 81 | 95 | 110 | 83 |
| 32 | in | 5.60 | 3.44 | 3.66 | 4.57 | 3.27 |
| | mm | 142 | 87 | 93 | 116 | 83 |
| 33 | in | 5.92 | 3.66 | 4.51 | 4.80 | 3.89 |
| | mm | 150 | 93 | 115 | 122 | 99 |
| 34 | in | 6.91 | X | 3.75 | 6.09 | 3.25 |
| | mm | 176 | X | 95 | 155 | 83 |
| 35 | in | 7.34 | X | 3.66 | 6.34 | 3.25 |
| | mm | 186 | X | 93 | 161 | 83 |
| 36 | in | 7.66 | X | 4.38 | 6.56 | 3.91 |
| | mm | 195 | X | 111 | 167 | 99 |
| 37 | in | 4.61 | 2.75 | 2.81 | 3.89 | 2.39 |
| | mm | 117 | 70 | 71 | 99 | 61 |
| 38 | in | 4.61 | 2.75 | 2.81 | 3.89 | 2.39 |
| | mm | 117 | 70 | 71 | 99 | 61 |
| 39 | in | 5.42 | 2.31 | 2.75 | 4.86 | 3.80 |
| | mm | 138 | 59 | 70 | 123 | 97 |
| 40 | in | 5.20 | 3.29 | 2.81 | 4.50 | 2.28 |
| | mm | 132 | 83 | 71 | 114 | 58 |
| 41 | in | 5.13 | 3.10 | 3.75 | 4.32 | 3.25 |
| | mm | 130 | 79 | 95 | 110 | 83 |
| 42 | in | 6.43 | 4.40 | 3.93 | 5.62 | 3.25 |
| | mm | 163 | 112 | 100 | 143 | 83 |
| 43 | in | 5.57 | 3.35 | 3.66 | 4.57 | 3.25 |
| | mm | 142 | 85 | 93 | 116 | 83 |
| 44 | in | 5.90 | 3.57 | 4.38 | 4.79 | 3.91 |
| | mm | 150 | 91 | 111 | 122 | 99 |
| 45 | in | 5.26 | 3.17 | 3.75 | 4.38 | 3.84 |
| | mm | 134 | 81 | 95 | 111 | 98 |
| 46 | in | 4.95 | 3.10 | 3.84 | 4.31 | 2.75 |
| | mm | 126 | 79 | 98 | 110 | 70 |
| 47 | in | 6.43 | 3.59 | 3.75 | 4.81 | 3.52 |
| | mm | 163 | 91 | 95 | 122 | 90 |
| 48 | in | 6.43 | 3.59 | 3.66 | 4.81 | 3.73 |
| | mm | 163 | 91 | 93 | 122 | 95 |
| 49 | in | 6.91 | 3.75 | 4.38 | 4.96 | 4.40 |
| | mm | 176 | 95 | 111 | 126 | 112 |
| 50 | in | 8.13 | 4.15 | 5.06 | 5.37 | 4.87 |
| | mm | 207 | 105 | 129 | 136 | 124 |
| 51 | in | 8.13 | 4.15 | 5.50 | 5.37 | 5.18 |
| | mm | 207 | 105 | 140 | 136 | 132 |

IMPORTANT: Valves may be mounted in any position, except as noted in specifications table.

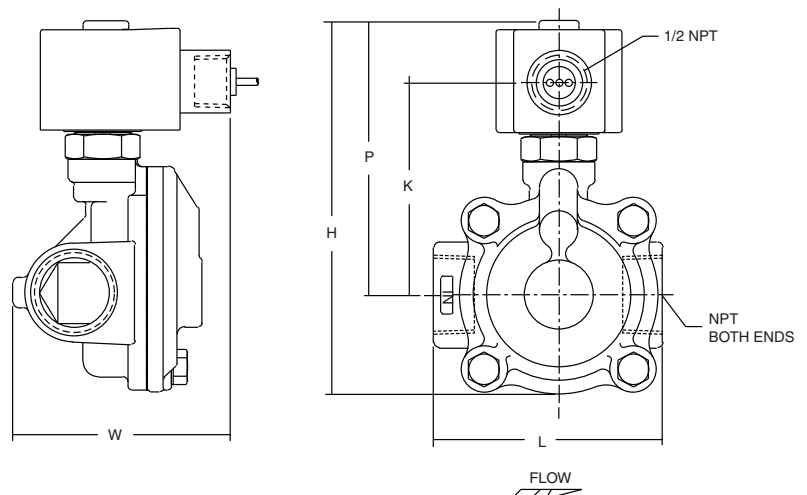
Const. Ref. 10, 15, 31, 32, 33



Const. Ref. 24, 34, 35, 36

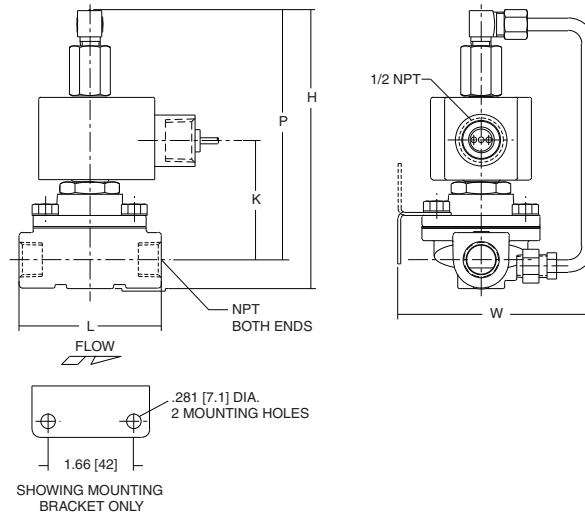


Const. Ref. 12, 16, 26, 28, 47, 48

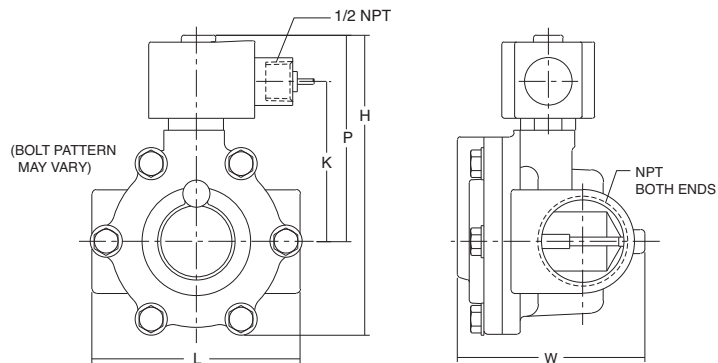


Dimensions: inches (mm)

Const. Ref. 39



Const. Ref. 18, 29, 49



Const. Ref. 20, 21, 27, 30, 50, 51

