

# EKI-2525/I

# EKI-2528/I

## 5-port Unmanaged Industrial Ethernet Switch

## 8-port Unmanaged Industrial Ethernet Switch



EKI-2525

EKI-2528



### Features

- ③ Provides 5/8 Fast Ethernet ports with Auto MDI/MDI-X
- ③ Supports 10/100 Mbps Auto-Negotiation
- ③ Provides broadcast storm protection
- ③ Provides compact size with DIN-rail/Wall mount, and IP30 metal mechanism
- ③ Supports redundant 12 ~ 48 VDC power input and P-Fail relay
- ③ Supports wide operating temperatures from -40 to 75°C (EKI-2525I/EKI-2528I)

### Introduction

The EKI-2525/2528 supports a Fast Ethernet solution. The power is a +12 ~ 48 V<sub>DC</sub> redundant input design, and is secured with a double protection mechanism: Power Polarity Reverse Protect and an Overload Current Resettable Fuse. The former tolerates reverse power wiring while the later secures the system from overload currents. As the power supply turns normal, EKI-2525/2528 will automatically get back to work. Each port of EKI-2525/2528 has 2 LED's to show the link status transmission speed and collision status. It also provides a relay output for an event alarm. In the event of a power failure, the built-in LED will activate the alarm to notify administrators. Engineers can simply verify the hardware status by checking the LED, and have troubleshooting easy and quick. EKI-2525/2528 comes with compact metal housing that rates IP30 to help against from dusty industrial environments.

### Specifications

#### Communications

- ③ **Standard IEEE** 802.3, 802.3u, 802.3x
- ③ **LAN** 10/100Base-T (X)
- ③ **Transmission Distance** Up to 100 m
- ③ **Transmission Speed** Up to 100 Mbps

#### Interface

- ③ **Connectors** 8 x RJ45 (EKI-2528) or 5 x RJ45 (EKI-2525)  
6-pin removable screw terminal (power & relay)
- ③ **LED Indicators** P1, P2, P-Fail  
10/100T (X): Link/Activity, Duplex/Collision

#### Power

- ③ **Power Consumption** EKI-2525/I: 2.88 Watts  
EKI-2528/I: 4.71 Watts
- ③ **Power Input** 12 ~ 48 V<sub>DC</sub>, redundant dual inputs
- ③ **Fault Output** 1 Relay Output

#### Mechanism

- ③ **Dimensions (W x H x D)** EKI-2525: 30 x 120 x 95 mm (1.18" x 4.72" x 3.74)  
EKI-2528: 30 x 140 x 95 mm (1.18" x 5.51" x 3.74)
- ③ **Enclosure** IP30, Metal shell with solid mounting kits
- ③ **Mounting** DIN-rail, Wall

#### Protection

- ③ **Reverse Polarity** Present
- ③ **Overload current** Present

#### Environment

- ③ **Operating Temperature** -10 ~ 60°C (14 ~ 140°F)  
-40 ~ 75°C (-40 ~ 167°F), (EKI-2525I and EKI-2528I)
- ③ **Storage Temperature** -40 ~ 85°C (-40 ~ 185°F)
- ③ **Operating Humidity** 10 ~ 95% (non-condensing)
- ③ **Storage Humidity** 10 ~ 95% (non-condensing)
- ③ **MTBF** 388,566 hours (EKI-2528)  
412,590 hours (EKI-2525)

#### Certification

- ③ **Safety** EKI-2525/I: UL/cUL 60950  
EKI-2528/I: UL/cUL 60950 Class I, Division 2, Groups A, B, C and D
- ③ **EMI** FCC Part 15 Subpart B Class A, EN 55022 Class A
- ③ **EMS** EN 61000-4-2  
EN 61000-4-3  
EN 61000-4-4  
EN 61000-4-5  
EN 61000-4-6  
EN 61000-4-8  
Shock IEC 60068-2-27  
Freefall IEC 60068-2-32  
Vibration IEC 60068-2-6

Buy Now: [www.ValinOnline.com](http://www.ValinOnline.com) | Phone: 800-774-5630 | Email: [CustomerService@valin.com](mailto:CustomerService@valin.com)

**ADVANTECH**

**Industrial Ethernet Solutions**

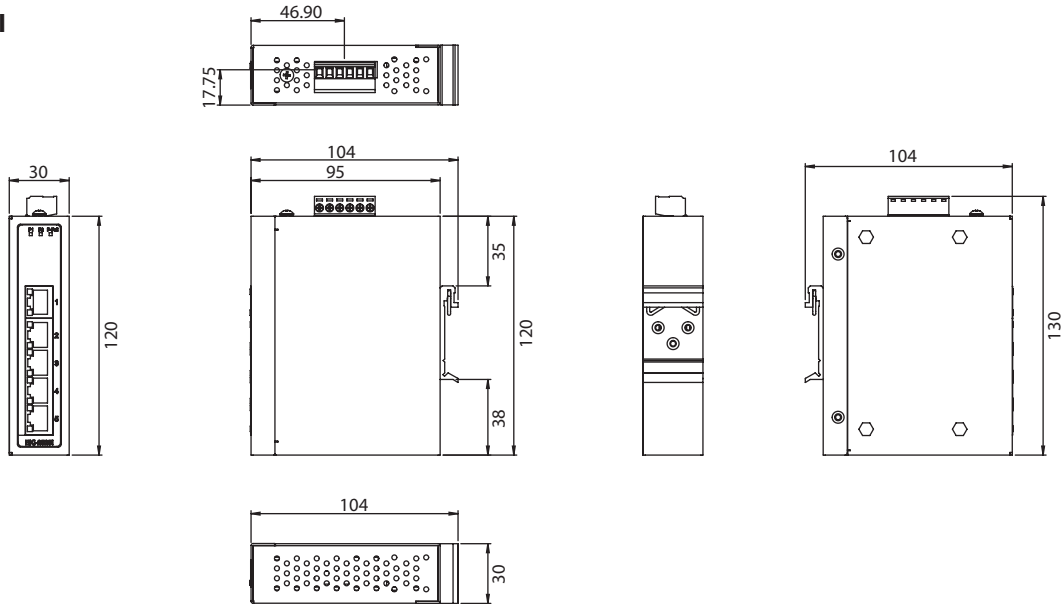
All product specifications are subject to change without notice

Last updated : 10-May-2016

## Dimensions

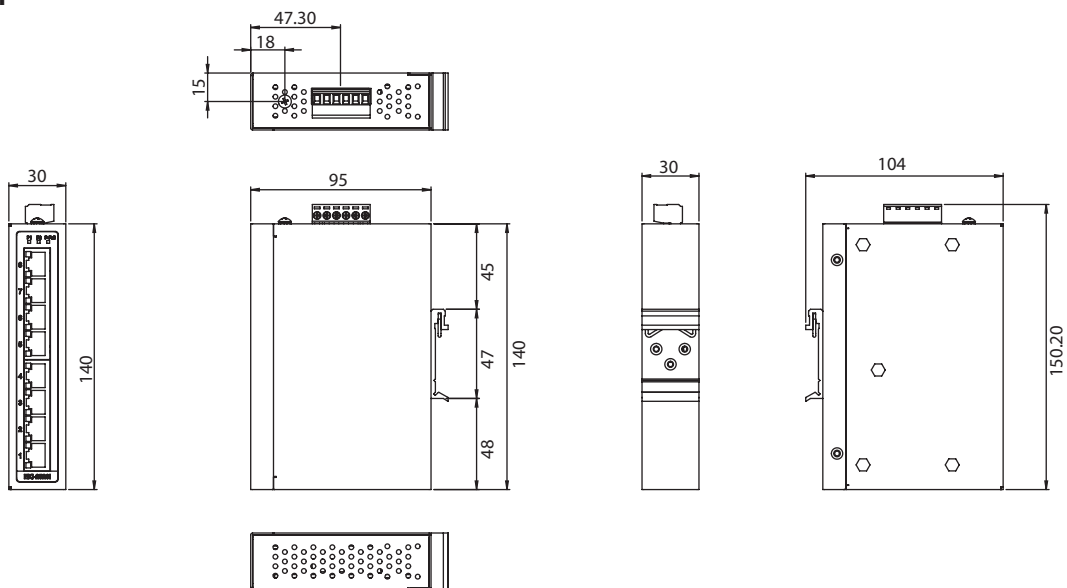
Unit: mm

### EKI-2525/I



**Panel Cut-out Dimensions: 30 x 120 x 95 mm (1.18" x 4.72" x 3.74")**

### EKI-2528/I



**Panel Cut-out Dimensions: 30 x 140 x 95 mm (1.18" x 5.51" x 3.74")**

## Ordering Information

- ③ EKI-2525-BE      5-port Ethernet Switch
- ③ EKI-2525I-BE    5-port Ethernet Switch w/ Wide Temp
- ③ EKI-2528-BE      8-port Ethernet Switch
- ③ EKI-2528I-BE    8-port Ethernet Switch w/ Wide Temp