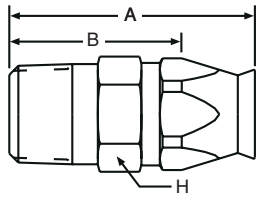


20190 Male Taper Pipe Rigid

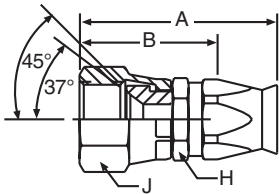


90 Series Reusable

*Part Number	B	C	NPTF Thread Size	Hose Size	A	Cutoff Allow. B	H Hex
#							
20190-2-4			1/8-27	-4	1.33	7/8	9/16
20190-4-4			1/4-18	-4	1.58	1-1/16	9/16
20190-4-5			1/4-1/8	-5	1.66	1-1/8	5/8
20190-4-6			1/4-18	-6	1.66	1-1/8	11/16
20190-6-6			3/8-18	-6	1.66	1-1/8	11/16
20190-6-8			3/8-18	-8	1.77	1-3/16	7/8
20190-8-8			1/2-14	-8	1.97	1-7/16	7/8
20190-8-10			1/2-14	-10	2.13	1-7/16	1
20190-12-12			3/4-14	-12	2.26	1-9/16	1-1/8
20190-12-16			3/4-14	-16	2.29	1-5/8	1-3/8
20190-16-16			1-11-1/2	-16	2.46	1-7/8	1-3/8
20190-20-20			1-1/4-11-1/2	-20	2.69	2-1/16	2

* Brass nipple and ferrule, steel socket.
 B – Brass nipple, brass shell.
 C – All components 303 stainless steel.

20690 SAE (JIC) 37° Swivel

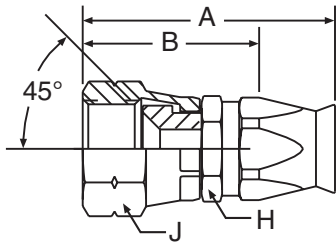


90 Series Reusable

*Part Number	B	C	Thread Size	Hose Size	A	Cutoff Allow. B	H Hex	J Hex
#								
20690-4-4 ~			7/16-20	-4	1.58	1-1/8	9/16	9/16
20690-5-5 ~			1/2-20	-5	1.66	1-1/8	5/8	5/8
20690-6-6			9/16-18	-6	1.74	1-1/4	11/16	11/16
20690-8-6 ~			3/4-16	-6	1.85	1-5/16	7/8	7/8
20690-8-8 ~			3/4-16	-8	1.98	1-3/8	7/8	7/8
20690-8-10 ~			3/4-16	-10	2.07	1-7/16	1	7/8
20690-10-10 ~			7/8-14	-10	2.22	1-9/16	1	1
20690-12-12			1-1/16-12	-12	2.33	1-11/16	1-1/4	1-1/4
20690-16-16			1-5/16-12	-16	2.52	1-15/16	1-3/8	1-1/2
20690-20-20			1-5/8-12	-20	2.63	2-5/16	2	2

* Brass nipple and ferrule, steel nut and socket.
 ~ These fittings contain a dual seat that accepts both the JIC (37 deg.) and SAE (45 deg.) male configurations. The size -6 and -12 SAE (45 degree) swivel fittings are shown under part number 20890.
 B – Brass nipple, brass nut, shell.
 C – All components 303 stainless steel.

20890 SAE 45° Swivel

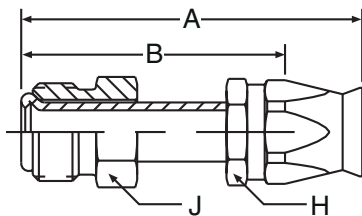


90 Series Reusable

*Part Number	B	C	Thread Size	Hose Size	Tube Size	A	Cutoff Allow. B	H Hex	J Hex
#									
20890-6-6			5/8-18	-6	3/8	1.77	1-5/16	11/16	3/4
20890-12-12			1-1/16-14	-12	1-11/16	2.34	1-11/16	1-1/4	1-1/4

* Brass nipple and ferrule, steel nut and socket.
 B – Brass nipple, brass nut, shell.
 C – All components 303 stainless steel.

22890 SAE Male Inverted Swivel-Straight

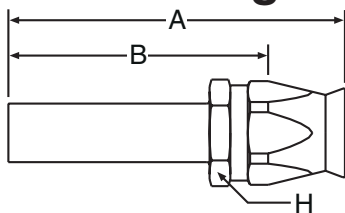


90 Series Reusable

*Part Number	B	C	Thread Size	Hose Size	Tube Size	A	Cutoff Allow. B	J Hex	H Hex
#									
22890-4-4			7/16-24	-4	1/4	2.15	1-5/8	7/16	9/16
22890-5-5			1/2-20	-5	5/16	2.21	1-11/16	1/2	5/8
22890-5-6			1/2-20	-6	5/16	2.20	1-11/16	1/2	11/16
22890-6-6			5/8-18	-6	3/8	2.22	1-3/4	5/8	11/16
22890-8-8			3/4-18	-8	1/2	2.34	1-3/4	3/4	7/8
22890-10-10			7/8-18	-10	5/8	2.77	2-1/8	7/8	15/16
22890-12-12			1-1/16-16	-12	3/4	3.01	2-3/8	1-1/16	1-1/8

* Brass ferrule, steel tube, nut and socket.
 B – Brass nipple, brass shell.
 C – All components 303 stainless steel.

23490 Straight Tube

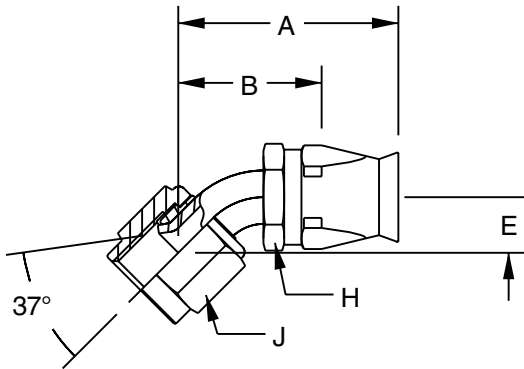


90 Series Reusable

*Part Number	B	C	Hose Size	Tube Size	A	Cutoff Allow. B	H Hex
#							
23490-8-8			-8	1/2	3.06	2-7/16	13/16
23490-8-10			-10	1/2	3.18	2-1/2	1
23490-10-8			-8	5/8	3.26	2-11/16	13/16
23490-10-10			-10	5/8	3.32	2-5/8	1
23490-12-12			-12	3/4	3.74	3-1/16	1-1/8

* Brass nipple and ferrule, steel socket.
 B – Brass nipple, brass shell.
 C – All components 303 stainless steel.
 26T90 fitting includes 23490 with the 60HAB sleeve and 61HAB nut.

**23790 SAE (JIC) 37°
 Swivel 45° Elbow**



90 Series Reusable

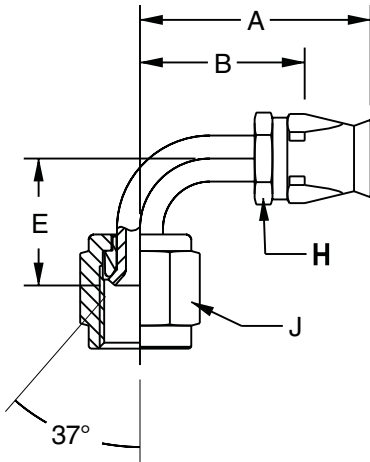
*Part Number	B	C	Thread Size	Hose Size	Tube Size	A	Cutoff Allow. B	E	J Hex	H Hex
#										
23790-4-4			7/16-20	-4	1/4	1.79	1-3/8	0.33	9/16	9/16
23790-5-5			1/2-20	-5	5/16	1.86	1-1/8	0.36	5/8	5/8
23790-6-6			9/16-18	-6	3/8	1.96	1-7/16	0.39	11/16	11/16
23790-8-6			3/4-16	-6	1/2	2.11	1-11/16	0.55	7/8	11/16
23790-8-8			3/4-16	-8	1/2	2.32	1-3/4	0.55	7/8	13/16
23790-10-10			7/8-14	-10	5/8	2.45	1-7/8	0.63	1	15/16
23790-12-12			1-1/16-12	-12	3/4	3.04	2-7/16	0.78	1-1/4	1-1/8
23790-16-16			1-5/16-12	-16	1	3.28	2-11/16	0.90	1-1/2	1-3/8
23790-20-20			1-5/8-12	-20	1-1/4	3.70	3-1/16	1.10	2	1-3/4

* Brass ferrule, steel tube, nut and socket.

B – Brass nipple, brass nut, shell.

C – All components 303 stainless steel.

23990 SAE (JIC) 37° Swivel 90° Elbow

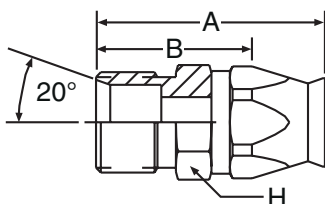


90 Series Reusable

*Part Number	B	C	Thread Size	Hose Size	Tube Size	A	Cutoff Allow. B	E	J Hex	H Hex
#										
23990-4-4			7/16-20	-4	1/4	1.67	1-1/4	0.68	9/16	9/16
23990-5-5			1/2-20	-5	5/16	1.75	1-1/4	0.77	5/8	5/8
23990-6-6			9/16-18	-6	3/8	1.86	1-3/8	0.85	11/16	11/16
23990-8-6			3/4-16	-6	1/2	1.95	1-7/16	1.09	7/8	11/16
23990-8-8			3/4-16	-8	1/2	2.15	1-1/2	1.09	7/8	13/16
23990-10-10			7/8-14	-10	5/8	2.38	1-3/4	1.23	1	15/16
23990-12-12			1-1/16-12	-12	3/4	2.95	2-5/16	1.82	1-1/4	1-1/8
23990-16-16			1-5/16-12	-16	1	3.13	2-1/2	2.14	1-1/2	1-3/8
23990-20-20			1-5/8-12	-20	1-1/4	3.54	2-7/8	2.57	2	1-3/4

* Brass ferrule, steel tube, nut and socket.
 B – Brass nipple, brass nut, shell.
 C – All components 303 stainless steel.

26190 SAE Compression Air Brake

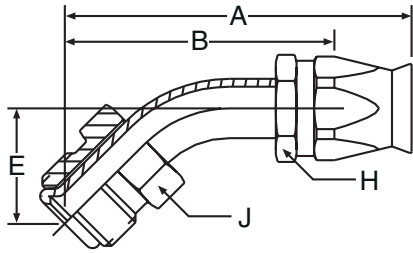


90 Series Reusable

*Part Number	B	C	Thread Size	Hose Size	Tube Size	A	Cutoff Allow. B	H Hex
#								
26190-8-8			11/16-20	-8	1/2	1.69	1-1/16	13/16
26190-8-10			11/16-20	-10	1/2	1.86	1-3/16	1
26190-10-10			13/16-18	-10	5/8	1.92	1-15/16	1
26190-12-10			1-18	-10	3/4	1.31	1-5/16	1
26190-12-12			1-18	-12	3/4	2.09	1-7/16	1-1/8

* Brass nipple and ferrule, steel socket.
 B – Brass nipple, brass shell.
 C – All components 303 stainless steel.

26790 SAE Male Inverted Swivel 45° Elbow

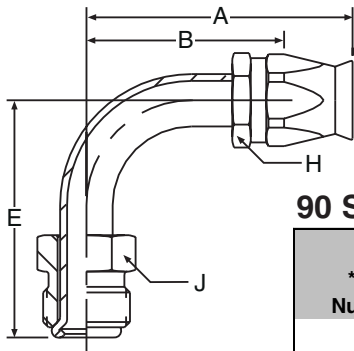


90 Series Reusable

*Part Number	B	C	Thread Size	Hose Size	Tube Size	A	Cutoff Allow. B	E	J Hex	H Hex
#										
26790-4-4			7/16-24	-4	1/4	2.11	1-11/16	0.63	7/16	9/16
26790-4-5			7/16-24	-5	1/4	2.11	1-11/16	0.63	7/16	5/8
26790-5-5			1/2-20	-5	5/16	2.51	2	0.94	1/2	5/8
26790-5-6			1/2-20	-6	5/16	2.55	2-1/16	0.94	1/2	11/16
26790-6-6			5/8-18	-6	3/8	2.61	2-1/8	0.94	5/8	11/16
26790-8-8			3/4-18	-8	1/2	2.68	2-1/16	0.94	3/4	7/8
26790-8-10			3/4-18	-10	1/2	2.77	2-1/8	0.94	3/4	15/16
26790-10-10			7/8-18	-10	5/8	2.92	2-5/16	1.02	7/8	15/16
26790-12-12			1-1/16-16	-12	3/4	3.14	2-1/2	1.02	1-1/16	1-1/8

* Brass ferrule, steel tube, nut and socket.
 B - Brass nipple, brass shell.
 C - All components 303 stainless steel.

26990 SAE Male Inverted Swivel 90° Elbow



90 Series Reusable

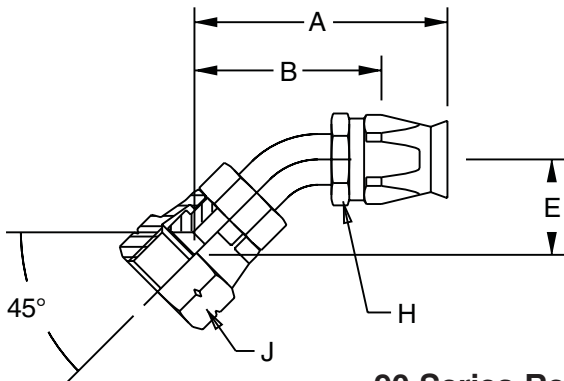
*Part Number	B	C	Thread Size	Hose Size	Tube Size	A	Cutoff Allow. B	E	J Hex	H Hex
#										
26990-4-4			7/16-24	-4	1/4	2.01	1-9/16	1.65	7/16	9/16
26990-4-5			7/16-24	-5	1/4	2.12	1-5/8	1.65	7/16	5/8
26990-5-5			1/2-20	-5	5/16	2.01	1-1/2	1.65	1/2	5/8
26990-5-6			1/2-20	-6	5/16	2.05	1-9/16	1.65	1/2	11/16
26990-6-6			5/8-18	-6	3/8	2.03	1-1/2	1.70	5/8	11/16
26990-8-8			3/4-18	-8	1/2	2.30	1-11/16	1.78	3/4	13/16
26990-8-10			3/4-18	-10	1/2	2.39	1-3/4	1.78	3/4	15/16
26990-10-10			7/8-18	-10	5/8	2.65	2	2.18	7/8	15/16
26990-12-12			1-1/16-16	-12	3/4	2.81	2-3/16	2.51	1-1/16	1-1/8

* Brass ferrule, steel tube, nut and socket.

B - Brass nipple, brass shell.

C - All components 303 stainless steel.

27790 SAE 45° Swivel 45° Elbow



90 Series Reusable

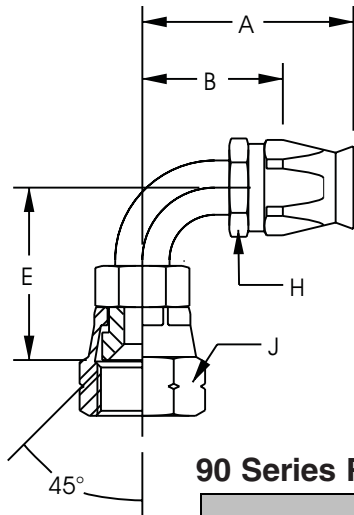
*Part Number	B	C	Thread Size	Hose Size	Tube Size	A	Cutoff Allow. B	E	H Hex	J Hex
#										
27790-6-6			5/8-18	-6	3/8	1.72	1-3/16	.39	3/4	11/16
27790-12-12			1-1/16-14	-12	3/4	2.87	2-1/4	.78	1-1/4	1-1/8

* Brass ferrule, steel tube, nut and socket.

B - Brass nipple, brass nut, shell.

C - All components 303 stainless steel.

27990 SAE 45° Swivel 90° Elbow



90 Series Reusable

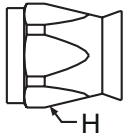
*Part Number	B	C	Thread Size	Hose Size	Tube Size	A	Cutoff Allow. B	E	H Hex	J Hex
#										
27990-4-4			7/16-20	-4	1/4	1.67	1-1/4	.68	9/16	9/16
27990-5-5			1/2-20	-5	5/16	1.75	1-1/4	.77	5/8	5/8
27990-6-6			5/8-18	-6	3/8	1.86	1-3/8	.85	3/4	11/16
27990-8-8			3/4-16	-8	1/2	2.15	1-1/2	1.09	7/8	13/16
27990-12-12			1-1/6-14	-12	3/4	2.95	2-5/16	1.82	1-1/4	1-1/8

* Brass ferrule, steel tube, nut and socket.

B – Brass nipple, brass nut, shell.

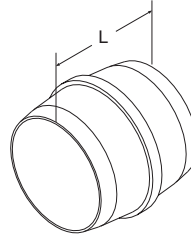
C – All components 303 stainless steel.

20090 Replacement Socket for Reusable Fittings



Steel Socket Part Number	Stainless Steel Socket Part Number	H Hex
#	#	
20090-4	20090-4C	9/16
20090-5	20090-5C	5/8
20090-6	20090-6C	11/16
20090-8	20090-8C	7/8
20090-10	20090-10C	1
20090-12	20090-12C	1-1/8
20090-16	20090-16C	1-3/8
20090-20	20090-20C	1-3/4

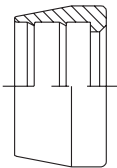
60 HAB SAE Compression Airbrake Sleeve



*Part Number	Tube Size	L
#		
60HAB-4	1/4	.250
60HAB-6	3/8	.313
60HAB-8	1/2	.375
60HAB-10	5/8	.438
60HAB-12	3/4	.500

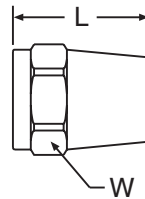
*Brass

090 Replacement Ferrule for 90 Series Reusable Fittings



Brass Ferrule Part Number	Stainless Steel Ferrule Part Number	Hose Size
#	#	
090-4B	090-4C	-4
090-5B	090-5C	-5
090-6B	090-6C	-6
090-8B	090-8C	-8
090-10B	090-10C	-10
090-12B	090-12C	-12
090-16B	090-16C	-16
090-20B	090-20C	-20

61 HAB SAE Compression Airbrake Nut



*Part Number	Thread Size	Tube Size	L	W Hex
#				
61HAB-4	7/16-24	1/4	0.75	9/16
61HAB-6	7/32-24	3/8	1.13	5/8
61HAB-8	11/16-20	1/2	1.25	13/16
61HAB-10	13/16-18	5/8	1.38	15/16
61HAB-12	1-18	3/4	1.56	1-1/8

*Brass